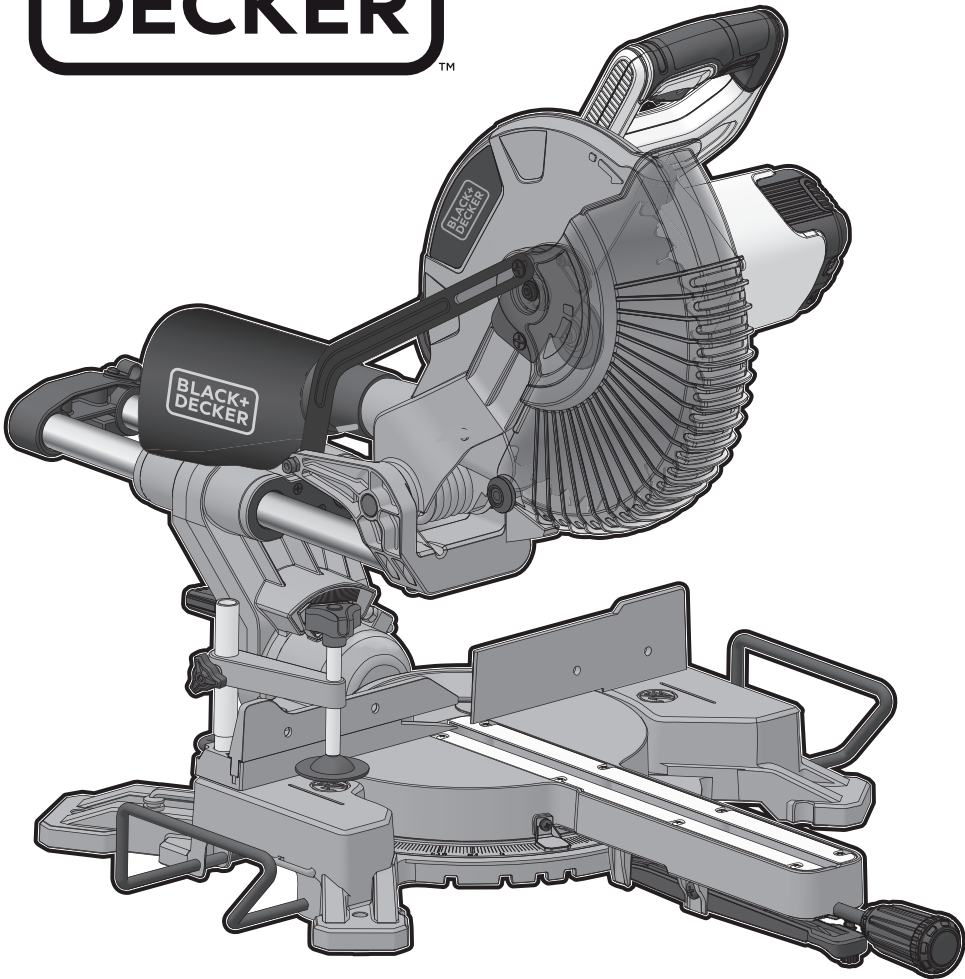


**BLACK+
DECKER**™



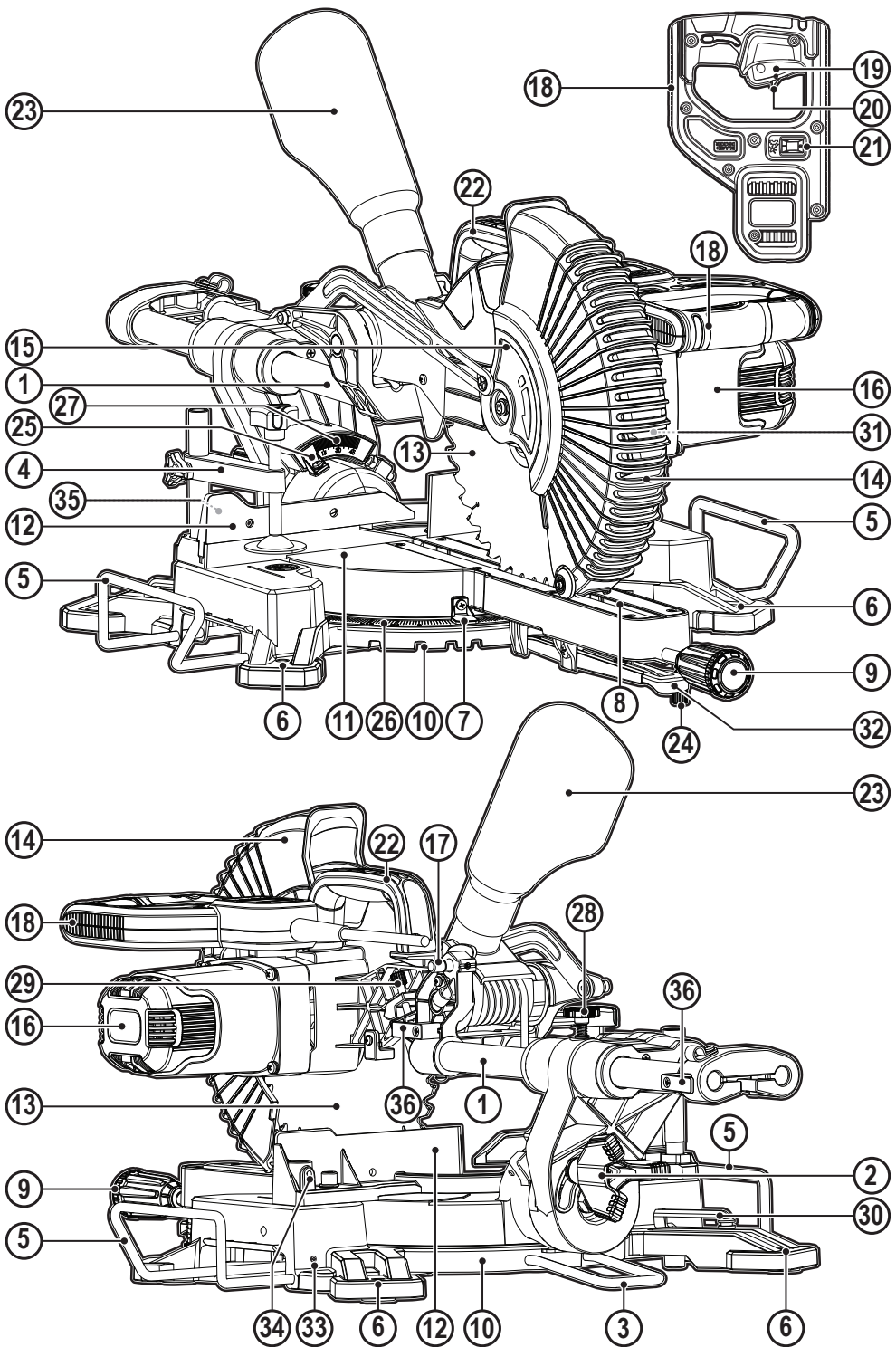
Інструмент не
призначений для
професійного
використання.

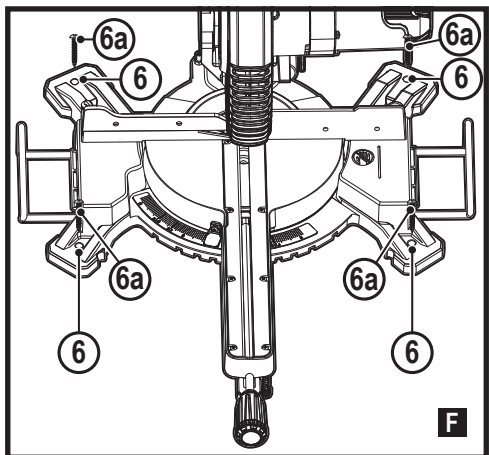
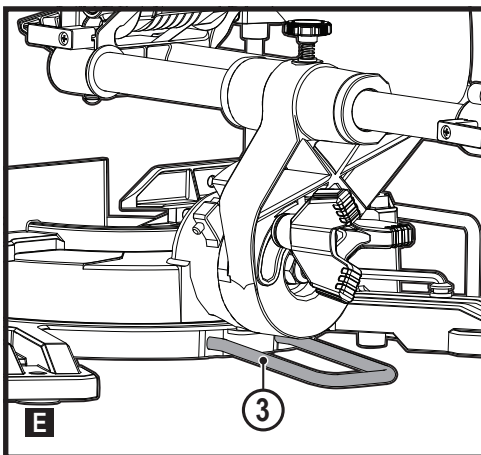
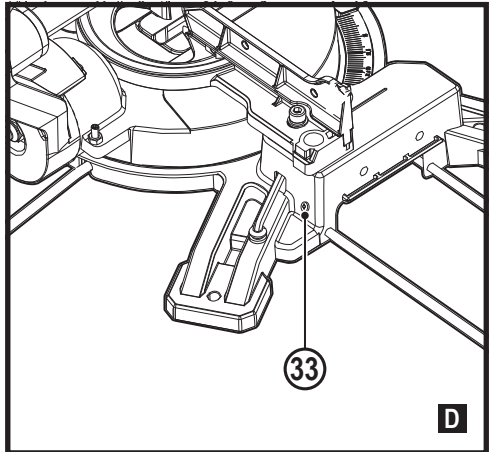
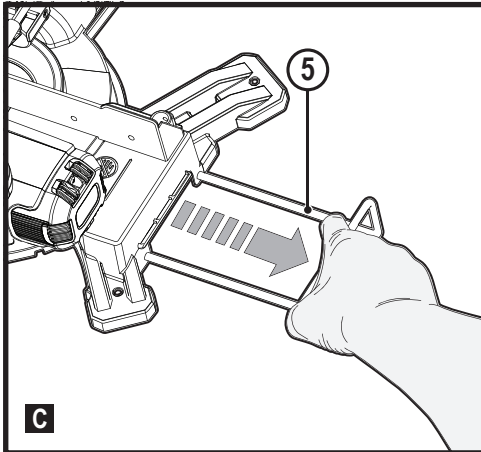
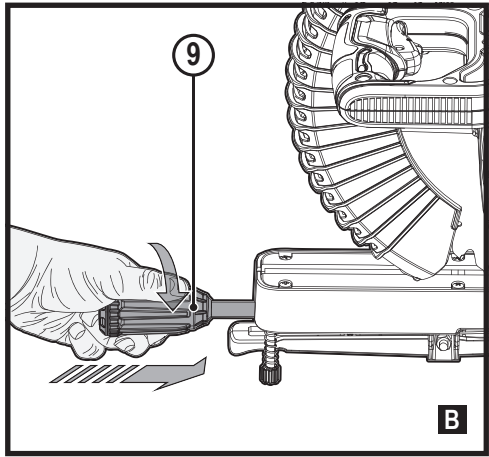
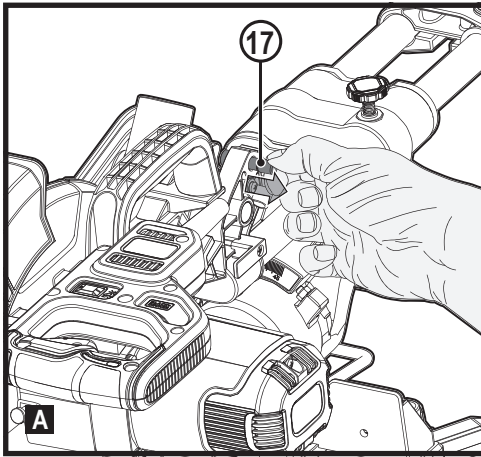
UK

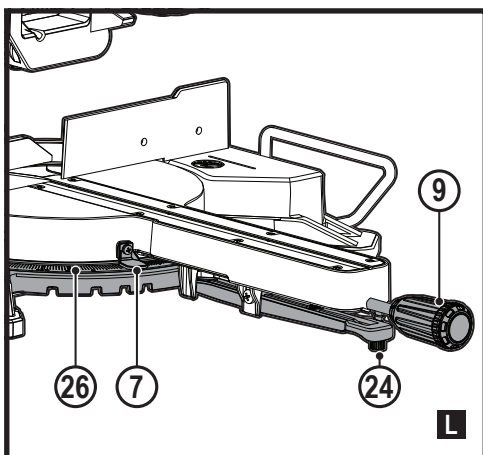
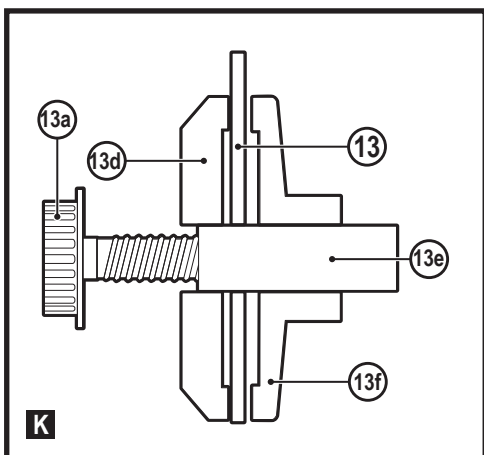
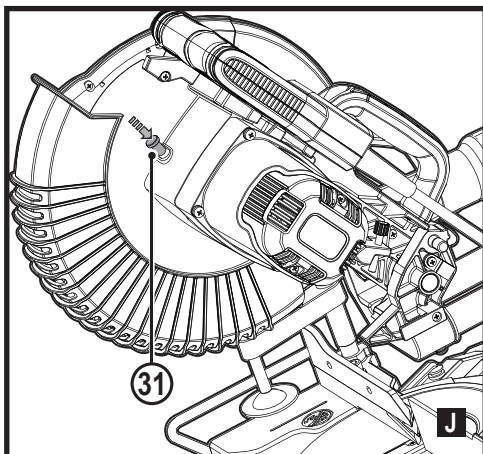
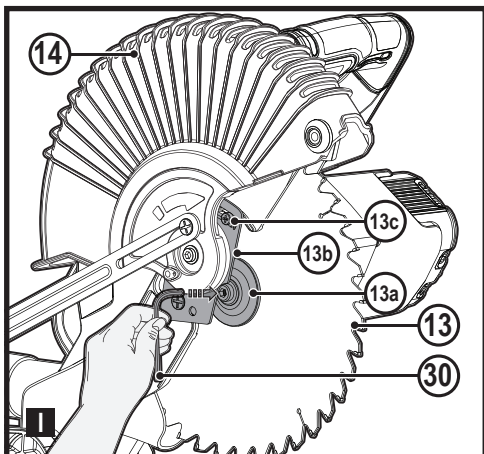
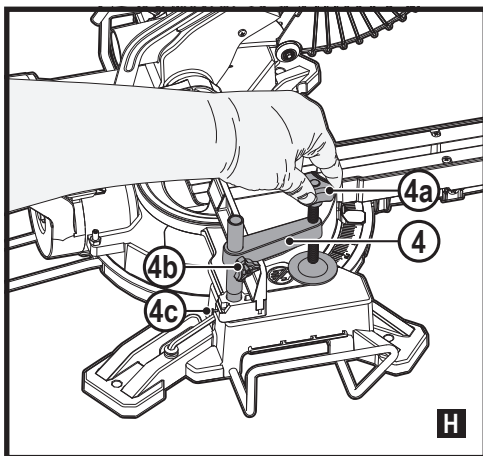
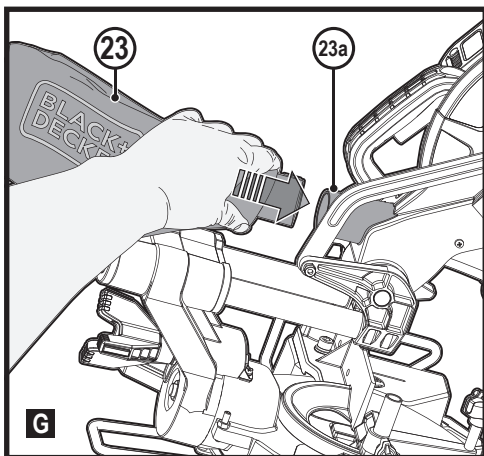
Переклад оригінальних інструкцій
www.blackanddecker.eu

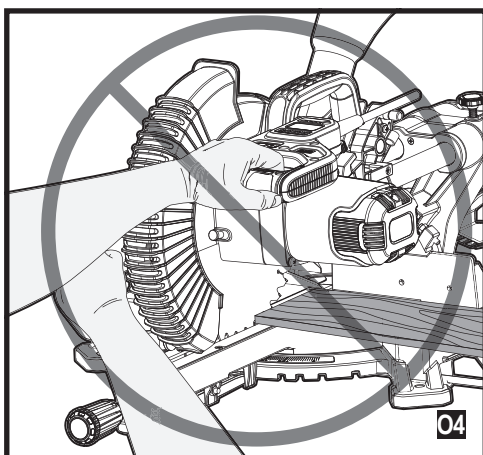
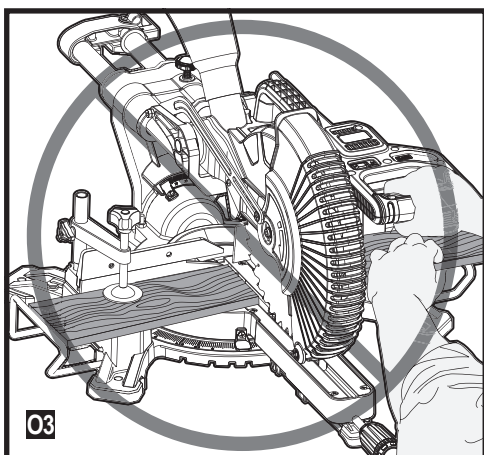
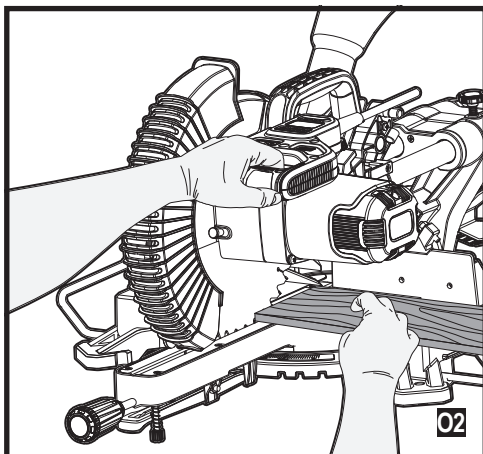
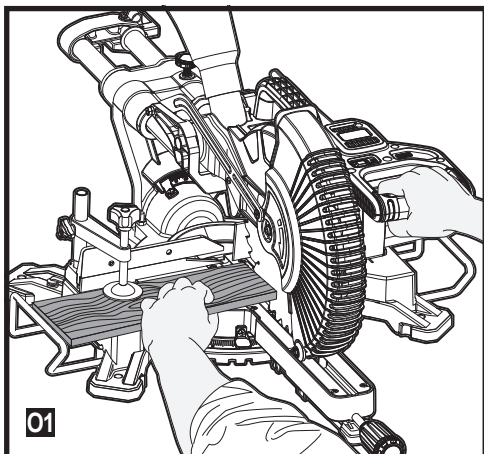
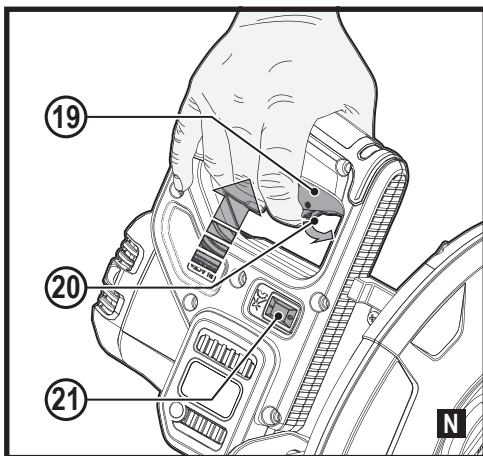
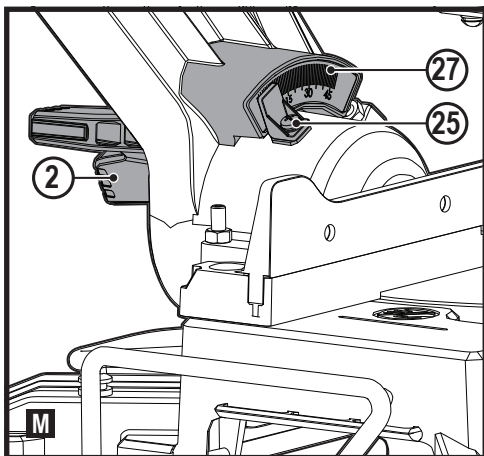
**BES700
BES710**

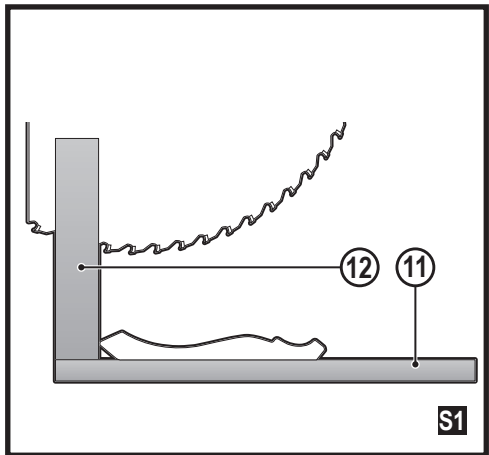
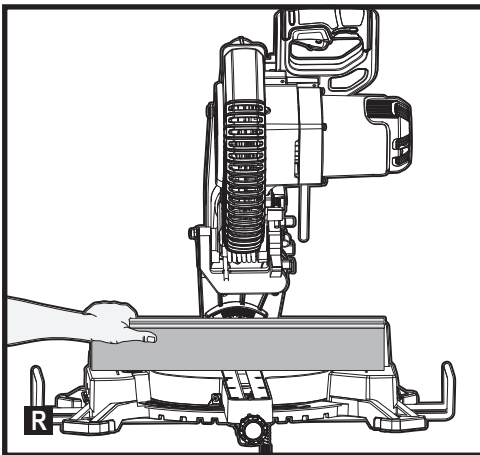
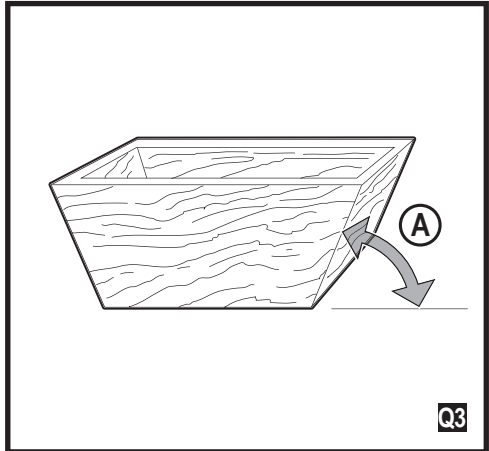
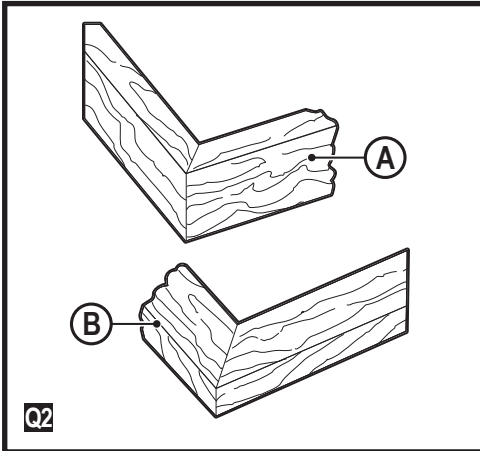
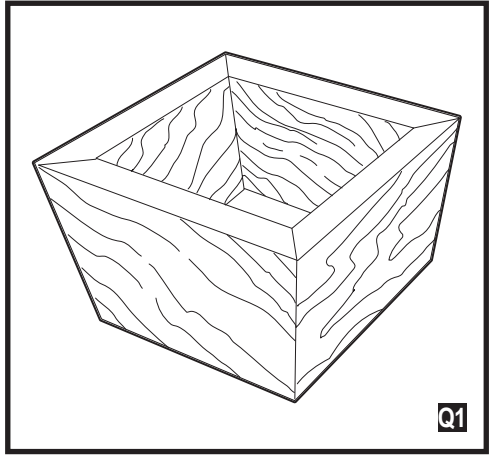
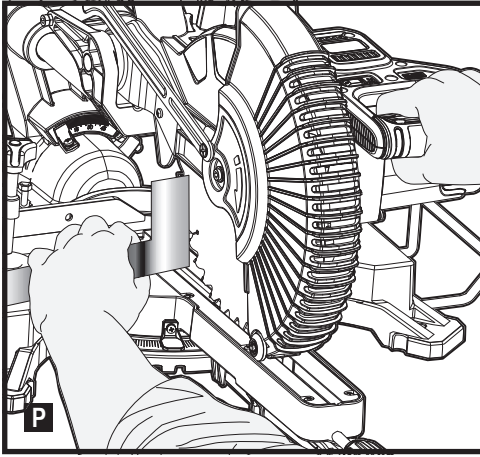
English (original instructions)	8
Українська (переклад оригінальних інструкцій)	19

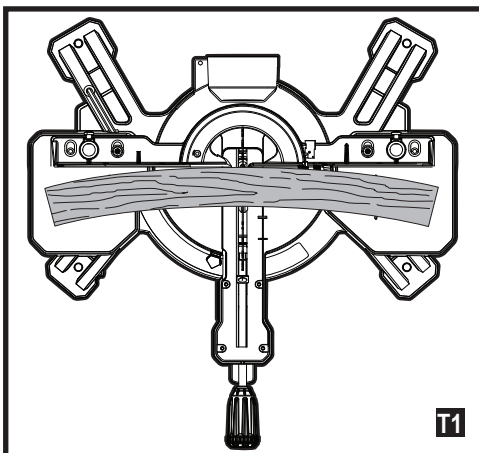
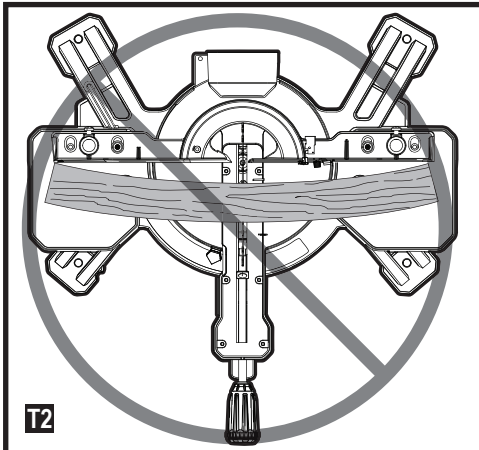
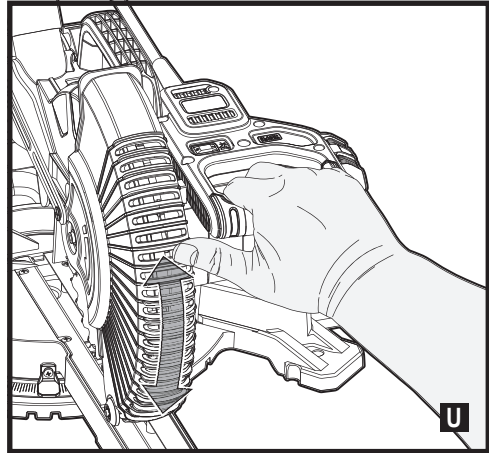
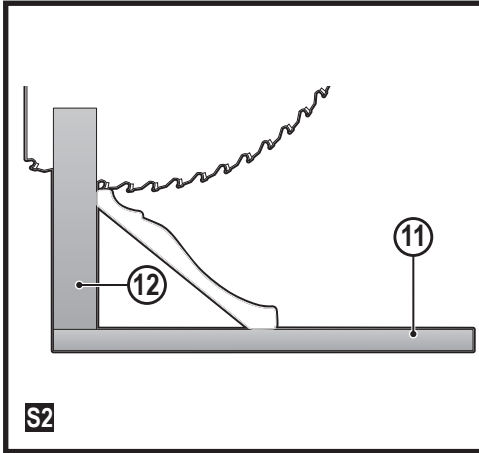












Intended use

Your BLACK+DECKER BES700, BES710 sliding compound mitre saw has been designed for sawing wood, plastic and nonferrous metal only. This tool is intended for non professional users.

Safety instructions

General power tool safety warnings



Warning! Read all safety warnings, instructions, illustrations and specifications provided with power tool. Failure to follow the warnings and instructions listed below may result in electric shock, fire and/or serious injury.

Save all warnings and instructions for future reference.

The term "power tool" in all of the warnings listed below refers to your mains operated (corded) power tool or battery operated (cordless) power tool.

1. **Work area safety**
 - a. **Keep work area clean and well lit.** Cluttered or dark areas invite accidents.
 - b. **Do not operate power tools in explosive atmospheres, such as in the presence of flammable liquids, gases or dust.** Power tools create sparks which may ignite the dust or fumes.
 - c. **Keep children and bystanders away while operating a power tool.** Distractions can cause you to lose control.
2. **Electrical safety**
 - a. **Power tool plugs must match the outlet. Never modify the plug in any way. Do not use any adapter plugs with earthed (grounded) power tools.** Unmodified plugs and matching outlets will reduce risk of electric shock.

- b. **Avoid body contact with earthed or grounded surfaces such as pipes, radiators, ranges and refrigerators.** There is an increased risk of electric shock if your body is earthed or grounded.
 - c. **Do not expose power tools to rain or wet conditions.** Water entering a power tool will increase the risk of electric shock.
 - d. **Do not abuse the cord. Never use the cord for carrying, pulling or unplugging the power tool. Keep cord away from heat, oil, sharp edges or moving parts.** Damaged or entangled cords increase the risk of electric shock.
 - e. **When operating a power tool outdoors, use an extension cord suitable for outdoor use.** Use of a cord suitable for outdoor use reduces the risk of electric shock.
 - f. **If operating a power tool in a damp location is unavoidable, use a residual current device (RCD) protected supply.** Use of an RCD reduces the risk of electric shock.
- 3. Personal safety**
- a. **Stay alert, watch what you are doing and use common sense when operating a power tool. Do not use a power tool while you are tired or under the influence of drugs, alcohol or medication.** A moment of inattention while operating power tools may result in serious personal injury.
 - b. **Use personal protective equipment. Always wear eye protection.** Protective equipment such as dust mask, non-skid safety shoes, hard hat, or hearing protection used for appropriate conditions will reduce personal injuries.
 - c. **Prevent unintentional starting. Ensure the switch is in the off-position before connecting to power source and/or battery pack, picking up or carrying the tool.** Carrying power tools with your finger on the switch or energising power tools that have the switch on invites accidents.
 - d. **Remove any adjusting key or wrench before turning the power tool on.** A wrench or a key left attached to a rotating part of the power tool may result in personal injury.
 - e. **Do not overreach. Keep proper footing and balance at all times.** This enables better control of the power tool in unexpected situations.
 - f. **Dress properly. Do not wear loose clothing or jewellery. Keep your hair and clothing away from moving parts.** Loose clothes, jewellery or long hair can be caught in moving parts.
 - g. **If devices are provided for the connection of dust extraction and collection facilities, ensure these are connected and properly used.** Use of dust collection can reduce dust-related hazards.
 - h. **Do not let familiarity gained from frequent use of tools allow you to become complacent and ignore tool safety principles.** A careless action can cause severe injury within a fraction of a second.
- 4. Power tool use and care**
- a. **Do not force the power tool. Use the correct power tool for your application.** The correct power tool will do the job better and safer at the rate for which it was designed.
 - b. **Do not use the power tool if the switch does not turn it on and off.** Any power tool that cannot be controlled with the switch is dangerous and must be repaired.
 - c. **Disconnect the plug from the power source and/or the battery pack from the power tool before making any adjustments, changing accessories, or storing power tools.** Such preventive safety measures reduce the risk of starting the power tool accidentally.
 - d. **Store idle power tools out of the reach of children and do not allow persons unfamiliar with the power tool or these instructions to operate the power tool.** Power tools are dangerous in the hands of untrained users.
 - e. **Maintain power tools and accessories. Check for misalignment or binding of moving parts, breakage of parts and any other condition that may affect the power tools operation. If damaged, have the power tool repaired before use.** Many accidents are caused by poorly maintained power tools.
 - f. **Keep cutting tools sharp and clean.** Properly maintained cutting tools with sharp cutting edges are less likely to bind and are easier to control.
 - g. **Use the power tool, accessories and tool bits etc. in accordance with these instructions, taking into account the working conditions and the work to be performed.** Use of the power tool for operations different from those intended could result in a hazardous situation.
 - h. **Keep handles and grasping surfaces dry, clean and free from oil and grease.** Slippery handles and greasy surfaces do not allow for safe handling and control of the tool in unexpected situations.
- 5. Service**
- a. **Have your power tool serviced by a qualified repair person using only identical replacement parts.** This will ensure that the safety of the power tool is maintained.
- Safety instructions for mitre saws**
- ◆ **Mitre saws are intended to cut wood or wood-like products, they cannot be used with abrasive cut-off wheels for cutting ferrous material such as bars, rods, studs, etc.** Abrasive dust causes moving parts such as the lower guard to jam. Sparks from abrasive cutting will

burn the lower guard, the kerf insert and other plastic parts.

- ◆ **Use clamps to support the workpiece whenever possible.** If supporting the workpiece by hand, you must always keep your hand at least 100 mm from either side of the saw blade. Do not use this saw to cut pieces that are too small to be securely clamped or held by hand. If your hand is placed too close to the saw blade, there is an increased risk of injury from blade contact.
- ◆ **The workpiece must be stationary and clamped or held against both the fence and the table. Do not feed the workpiece into the blade or cut “freehand” in any way.** Unrestrained or moving workpieces could be thrown at high speeds, causing injury.
- ◆ **Push the saw through the workpiece. Do not pull the saw through the workpiece. To make a cut, raise the saw head and pull it out over the workpiece without cutting, start the motor, press the saw head down and push the saw through the workpiece.** Cutting on the pull stroke is likely to cause the saw blade to climb on top of the workpiece and violently throw the blade assembly towards the operator.
- ◆ **Never cross your hand over the intended line of cutting either in front or behind the saw blade.** Supporting the workpiece “cross handed” i.e. holding the workpiece to the right of the saw blade with your left hand or vice versa is very dangerous.
- ◆ **Do not reach behind the fence with either hand closer than 100 mm from either side of the saw blade, to remove wood scraps, or for any other reason while the blade is spinning.** The proximity of the spinning saw blade to your hand may not be obvious and you may be seriously injured.
- ◆ **Inspect your workpiece before cutting. If the workpiece is bowed or warped, clamp it with the outside bowed face toward the fence. Always make certain that there is no gap between the workpiece, fence and table along the line of the cut.** Bent or warped workpieces can twist or shift and may cause binding on the spinning saw blade while cutting. There should be no nails or foreign objects in the workpiece.
- ◆ **Do not use the saw until the table is clear of all tools, wood scraps, etc., except for the workpiece.** Small debris or loose pieces of wood or other objects that contact the revolving blade can be thrown with high speed.
- ◆ **Cut only one workpiece at a time.** Stacked multiple workpieces cannot be adequately clamped or braced and may bind on the blade or shift during cutting.
- ◆ **Ensure the mitre saw is mounted or placed on a level, firm work surface before use.** A level and firm work

surface reduces the risk of the mitre saw becoming unstable.

- ◆ **Plan your work. Every time you change the bevel or mitre angle setting, make sure the adjustable fence is set correctly to support the workpiece and will not interfere with the blade or the guarding system.** Without turning the tool “ON” and with no workpiece on the table, move the saw blade through a complete simulated cut to assure there will be no interference or danger of cutting the fence.
- ◆ **Provide adequate support such as table extensions, saw horses, etc. for a workpiece that is wider or longer than the table top.** Workpieces longer or wider than the mitre saw table can tip if not securely supported. If the cut-off piece or workpiece tips, it can lift the lower guard or be thrown by the spinning blade.
- ◆ **Do not use another person as a substitute for a table extension or as additional support.** Unstable support for the workpiece can cause the blade to bind or the workpiece to shift during the cutting operation pulling you and the helper into the spinning blade.
- ◆ **The cut-off piece must not be jammed or pressed by any means against the spinning saw blade.** If confined, i.e. using length stops, the cut-off piece could get wedged against the blade and thrown violently.
- ◆ **Always use a clamp or a fixture designed to properly support round material such as rods or tubing.** Rods have a tendency to roll while being cut, causing the blade to “bite” and pull the work with your hand into the blade.
- ◆ **Let the blade reach full speed before contacting the workpiece.** This will reduce the risk of the workpiece being thrown.
- ◆ **If the workpiece or blade becomes jammed, turn the mitre saw off. Wait for all moving parts to stop and disconnect the plug from the power source and/ or remove the battery pack. Then work to free the jammed material.** Continued sawing with a jammed workpiece could cause loss of control or damage to the mitre saw.
- ◆ **After finishing the cut, release the switch, hold the saw head down and wait for the blade to stop before removing the cut-off piece.** Reaching with your hand near the coasting blade is dangerous.

Additional safety instructions for mitre saws

- ◆ **Hold the handle firmly when making an incomplete cut or when releasing the switch before the saw head is completely in the down position.** The braking action of the saw may cause the saw head to be suddenly pulled downward, causing a risk of injury.
- ◆ **The intended use is described in this instruction manual.** The use of any accessory or attachment or performance

of any operation with this tool other than those recommended in this instruction manual may present a risk of personal injury and/or damage to property.

- ◆ Do not use cracked/bent/damaged/deformed saw blades.
- ◆ Replace the kerf plate when worn.
- ◆ Do not use blades of larger or smaller diameter than recommended. For the proper blade rating refer to the technical data. Use only the blades specified in this manual, complying with EN 847-1.
- ◆ Do not use High Speed Steel (HSS) saw blades.



Warning! Contact with or inhalation of dusts arising from sawing applications may endanger the health of the operator and possible bystanders. Wear a dust mask specifically designed for protection against dust and fumes and ensure that persons within or entering the work area are also protected.

- ◆ Do not work with material containing asbestos. Asbestos is considered to be carcinogenic.
- ◆ Wear gloves when handling saw blades and rough material (saw blades should be carried in a holder when practicable).
- ◆ Wear hearing protection to reduce the risk of induced hearing loss.
- ◆ Consider using specially designed noise-reduction blades.
- ◆ Wear eye protection to reduce the risk of personal injury.
- ◆ Use the dust bag provided when sawing wood.
- ◆ **Hold power tool by insulated gripping surfaces when performing an operation where the cutting accessory may contact hidden wiring or its own cord.**
Cutting accessory contacting a "live" wire may make exposed metal parts of the power tool "live" and could give the operator an electric shock
- ◆ Select the correct blade for the material to be cut.
- ◆ Do not operate the machine without the guard in position. Do not operate the machine if the guard does not function or is not maintained properly.
- ◆ Ensure that the arm is securely fixed when performing bevel cuts.
- ◆ Before each cut ensure that the machine is stable.
- ◆ Keep handles dry, clean and free from oil and grease.
- ◆ Keep the surrounding area of the machine well maintained and free of loose materials, e.g. chips and off-cuts.
- ◆ Ensure the machine and the work area are provided with adequate general or localised lighting.
- ◆ Do not allow untrained people to operate this machine.
- ◆ Ensure that the blade is mounted correctly before use. Make sure that the blade rotates in the correct direction. Keep the blade sharp. Follow instruction for lubricating and changing accessories.
- ◆ Ensure the speed marked on the saw blade is at least equal to the speed marked on the saw.

- ◆ Ensure that any spacers and spindle rings used are suitable for the purpose as stated by BLACK+DECKER.
- ◆ Repairs to the cut line guidance system should be carried out by authorised repair agents or BLACK+DECKER service staff.
- ◆ Unplug the machine before carrying out any maintenance or when changing the blade.
- ◆ Never perform any cleaning, maintenance, removal of any off-cuts or other parts of the work piece from the cutting area when the machine is running and the saw head is not in the rest position.
- ◆ When possible, always mount the machine to a bench.
- ◆ Make sure all locking knobs and handles are tight before starting any operation.
- ◆ Never use your saw without the table insert.
- ◆ Never attempt to stop the machine in motion rapidly by jamming a tool or other means against the blade; serious accidents can be caused unintentionally in this way.
- ◆ Before using or fitting any accessory consult the instruction manual. The improper use of an accessory can cause damage.
- ◆ Raise the blade from the table insert in the work piece prior to releasing the on/of switch.
- ◆ Do not wedge anything against the fan to hold the motor shaft.
- ◆ The blade guard on your saw will automatically raise when the arm is brought down; it will lower over the blade when the arm is raised. The guard can be raised by hand when installing or removing saw blades or for inspection of the saw. Never raise the blade guard manually unless the machine is switched off.
- ◆ Check periodically that the motor air slots are clean and free of chips.
- ◆ Never make the warning signs on the power tool unrecognisable.
- ◆ Never stand on the power tool. Serious injuries could occur when the power tool tips over or when coming in contact with the saw blade.
- ◆ Do not take hold of the saw blade after working before it has cooled. The saw blade becomes very hot while working.
- ◆ To avoid injury from materials being thrown, unplug the saw to avoid accidental starting, and then remove small materials.
- ◆ Before use and after any maintenance the blade guard must be checked to ensure proper function. This test must be performed with the saw switched off and unplugged. The arm must be raised and lowered to ensure the guard covers the blade and the blade does not contact the guard. If the guard fails to operate correctly, have your power tool serviced by a qualified repair agent. Call BLACK+DECKER customer services for you nearest service agent.
- ◆ **This mitre saw has been designed for sawing wood, plastic and nonferrous metal only.** Do not use the saw

ENGLISH

to cut other materials than those recommended by the manufacturer.

- ◆ Do not take hold of the saw blade after working before it has cooled. The saw blade becomes very hot while working.



Warning! Cutting plastics, sap coated wood, and other materials may cause melted material to accumulate on the blade tips and the body of the saw blade, increasing the risk of the blade overheating and binding while cutting.

Residual risks

The following risks are inherent to the use of saws:

Even with the application of the relevant safety regulations and the implementation of safety devices, certain residual risks can not be avoided. These include:

- ◆ Injuries caused by touching any rotating/moving parts.
- ◆ Impairment of hearing.
- ◆ Risk of accidents caused by the uncovered parts of the rotating saw blade.
- ◆ Risk of injury when changing any parts, blades or accessories.
- ◆ Risk of squeezing fingers when opening the guards.
- ◆ Health hazards caused by breathing dust developed when sawing wood, especially oak, beech and MDF.
- ◆ Injuries caused by prolonged use of a tool. When using any tool for prolonged periods ensure you take regular breaks.

Noise

The declared noise emission values have been measured in accordance with a standard test method and may be used for comparing one tool with another.

The declared noise emission values may also be used in a preliminary assessment of exposure.

Warning! The noise emissions during actual use of the power tool can differ from the declared values depending on the ways in which the tool is used especially what kind of workpiece is processed.

Warning! Always wear proper personal hearing protection. Under some conditions and duration of use, noise from this product may contribute to hearing loss. Be aware of the following factors influencing exposure to noise:

- ◆ Use saw blades designed to reduce the emitted noise,
- ◆ Use only well sharpened saw blades, and
- ◆ Use specifically designed noise-reduction saw blades.

Labels on tool

The following pictograms along with the date code are shown on the tool:



Warning! To reduce the risk of injury, the user must read the instruction manual.



Wear safety glasses or goggles



Wear ear protection



Wear a dust mask



This product is not to be used by children under 16



Keep hands away from blade



No Hands Zone - Keep fingers and arms away from rotational saw blades



Wear gloves when handling saw blades



Do not stare at operating lamp



Do not expose to rain.



Disconnect the mains plug if the cord becomes damaged or entangled.

Electrical safety



This tool is double insulated; therefore no earth wire is required. Always check that the power supply corresponds to the voltage on the rating plate.

- ◆ If the supply cord is damaged, it must be replaced by the manufacturer or an authorised BLACK+DECKER Service Centre in order to avoid a hazard.

Voltage drops

Inrush currents cause short-time voltage drops. Under unfavourable power supply conditions, other equipment may be affected. If the system impedance of the power supply is lower than 0.178 Ω, disturbances are unlikely to occur.

Using an extension cable

Always use an approved extension cable suitable for the power input of this tool (see technical data). Before use, inspect the extension cable for signs of damage, wear and ageing. Replace the extension cable if damaged or defective. When using a cable reel, always unwind the cable completely. Use of an extension cable not suitable for the power input of the tool or which is damaged or defective may result in a risk of fire and electric shock.

Features

This tool includes some or all of the following features.

1. Slide bars

2. Bevel lock knob
3. Support stand
4. Work piece clamp
5. Table extension rail
6. Bolt holes
7. Mitre angle indicator
8. Table insert
9. Mitre lock knob
10. Base plate
11. Rotary table
12. Rear fence
13. Saw blade
14. Blade guard
15. Safety guard mounting plate
16. Motor housing
17. Saw head locking pin
18. Main handle
19. Trigger switch
20. Safety release lever
21. Cut line light on/off button
22. Carry handle
23. Dust bag
24. Adjustable support foot
25. Bevel angle indicator
26. Mitre angle scale
27. Bevel angle scale
28. Slide bar locking screw
29. Depth of cut screw
30. Blade change tool
31. Spindle lock
32. Mitre lock release
33. Extension rail locking screw
34. Clamp lock screw
35. Slide fence locking screw
36. Cable wrap

Assembly

Your mitre saw is part assembled in the carton.

- ◆ Open the box and lift the saw out.
- ◆ Place the saw on a smooth, flat surface such as a workbench or strong table.
- ◆ Examine Assembly diagram on page 2 of this manual to become familiar with the saw and its various parts. The section on adjustments will refer to these terms and you must know what and where the parts are.
- ◆ When the tool is shipped, the handle is locked in the lowered position by the saw head locking pin (17). Pull the saw head locking pin (17) and rotate it 90°, either clockwise or counterclockwise as shown in figure A.
- ◆ The mitre locking knob (9) is not assembled for shipping. Remove the mitre locking knob (9) from the packaging and screw onto the saw, see figure B for position.

Table extension rail (Fig. C & D)

Your mitre saw is supplied with 2 table extension rails (5) to support long overhanging workpieces.

- ◆ Pull the table extension rail (5) to the required length for the workpiece as shown in figure C.
- ◆ Secure in position by tightening the extension rail locking screw (33), as shown in figure D.
- ◆ Repeat the process on opposite side.

Support stand - BES710 only (Fig. E)

Your BES710 mitre saw is supplied with 1 support stand (3), located at the rear of the unit, to enhance stability.

Bench mounting (Fig. F)

The mitre saw can be bolted with four bolts (6a) (not provided) to a level and stable surface using the bolt holes (6) provided in the tools base. This will help prevent tipping and possible injury.

Dust collection (Fig. G)

The use of the dust bag (23) makes cutting operations clean and dust collection easy.

- ◆ To attach the dust bag (23), fit it onto the dust nozzle (23a).
- ◆ When the dust bag (23) is about half full, remove it from the tool.
- ◆ Empty the dust bag of its contents, tapping it lightly so as to remove particles adhering to the insides which might hamper further collection.

Note: If you connect a workshop vacuum to your saw, more efficient and cleaner operations can be performed.

To install workpiece clamp (Fig. H)

- ◆ Insert the clamp (4) into the hole (4c) behind the fence. The clamp should be facing toward the back of the miter saw. The groove on the clamp rod should be fully inserted into the base. Ensure this groove is fully inserted into the base of the miter saw. If the groove is visible, the clamp will not be secure.
- ◆ Rotate the clamp 180° toward the front of the miter saw.
- ◆ Loosen the knob (4b) to adjust the clamp up or down, then use the fine adjust knob (4a) to firmly clamp the workpiece.

Note: Place the clamp on the opposite side of the base when beveling. ALWAYS MAKE DRY RUNS (UNPOWERED) BEFORE FINISH CUTS TO CHECK THE PATH OF THE BLADE. ENSURE THE CLAMP DOES NOT INTERFERE WITH THE ACTION OF THE SAW OR GUARDS.

Changing or installing a new saw blade (Fig. I, J, K)

Warning! To reduce the risk of serious personal injury, turn off the tool and disconnect it from the power source before attempting to move it, change accessories or make any adjustments.

Warning! Never depress the spindle lock (31) button while the blade is under power or coasting.

Warning! Do not cut ferrous metal (containing iron or steel) or masonry or fiber cement product with this mitre saw.

Removing the blade

- ◆ Unplug the saw.
- ◆ Raise the arm to the upper position and push the guard (14) up as far as possible.
- ◆ Loosen, but do not remove guard bracket screw (13c) until the bracket can be raised far enough to access the blade screw (13a). Lower guard will remain raised due to the position of the guard bracket screw as shown in figure I.
- ◆ Depress the spindle lock button (31) while carefully rotating the saw blade by hand until the lock engages as shown in figure J.
- ◆ Keeping the button depressed, use the other hand and the blade changing tool provided (30) to loosen the blade screw (13a). (Turn clockwise, left-hand threads.)
- ◆ Remove the blade screw (13a), outer clamp washer (13d), blade (13) and blade adapter (13e), if used. The inner clamp washer (13f) may be left on the spindle.

Installing a blade

- ◆ Unplug the saw.
- ◆ With the arm raised, the guard held open and the guard bracket raised, place the blade on the spindle, onto the blade adapter and against the inner blade clamp with the teeth at the bottom of the blade pointing toward the back of the saw.
- ◆ Assemble the outer clamp washer onto the spindle.
- ◆ Install the blade screw and, engaging the spindle lock, tighten the screw firmly with wrench provided (turn counterclockwise, left-hand threads).

Adjusting the mitre angle (Fig. L)

- ◆ Loosen the grip (9) by turning counterclockwise.
- ◆ Use the mitre lock release (32) to move the rotary table (11) to the position where the pointer (7) points to the desired angle on the mitre scale (26), tighten the grip clockwise.
- ◆ The adjustable support foot (24) is to help keep the tool in balance. After each mitre angle adjustment, you should turn knob on the foot clockwise or counterclockwise until its bottom touches the ground. There are two positions depending on the depth of your work bench.

Cutting depth

If you want to cut a groove you can set the depth of cut using the depth of cut screw (29) or the blade.

- ◆ Turn the depth of cut screw (29) and fix with the counter nut.

Fence adjustment

Before bevel cutting, make sure that no part of the tool contacts the fence (12) when lowering and raising the handle fully at any position and pulling or pushing the carriage all the way at the lowest position. Before operating the tool, make sure that the sliding fence is secured by the slide fence locking screw (35) firmly.

Warning! When performing bevel cuts, slide the sliding fence to the left and secure. Otherwise, it will contact the blade or a part of the tool, causing possible serious injury to the operator.

This tool is equipped with the sliding fence which should ordinarily be positioned central. However, when performing left bevel cuts, set it to the left position if the tool head contacts it. When bevel cutting operations are complete, don't forget to return the sliding fence to the original position and secure it by firmly tightening the slide fence locking screw (35).

Adjusting the bevel angle (Fig. M)

When tilting the carriage to the left, loosen the lever (2) at the rear of the tool counterclockwise. Unlock the arm by pushing the handle somewhat strongly in one direction only.

- ◆ Tilt the saw blade until the pointer (25) points to the desired angle on the bevel scale (27).
- ◆ Tighten the lever (2) clockwise firmly to secure the arm.

Warning! When tilting the saw blade, be sure to raise the handle fully. After changing the bevel angle, always secure the arm by tightening the lever clockwise.

Warning! When tilting the saw blade, always be aware of the weight of the head and make sure to avoid it crashing over.

Switch action (Fig. N)

Caution! Before plugging in the tool, always check to see that the switch trigger (19) actuates properly and returns to the "OFF" position when released.

- ◆ To start the tool, move the safety release lever (20) to the right with your index finger.
- ◆ Press the switch trigger (19).
- ◆ To stop the tool, release the switch trigger (19).

Warning! Never use tool without a fully operative switch trigger. Any tool with an inoperative switch is HIGHLY DANGEROUS and must be repaired before usage.

Use of Cut line System (Fig. N)

Note: The mitre saw must be connected to a power source. The Cut line System is equipped with an on/off switch (21). The Cut line System is independent of the mitre saw's trigger switch.

The light does not need to be on in order to operate the saw. To cut through an existing pencil line on a piece of wood:

- ◆ Turn on the Cut line system, then pull down on the operating handle (18) to bring the saw blade close to the wood. The shadow of the blade will appear on the wood.
- ◆ Align the pencil line with the edge of the blade's shadow. You may have to adjust the mitre or bevel angles in order to match the pencil line exactly.

Crosscuts

A crosscut is made by cutting wood across the grain at any angle. A straight crosscut is made with the miter arm at the zero degree position. Set and lock the miter arm at zero, hold the wood firmly on the table and against the fence. With the rail lock knob tightened, turn on the saw by squeezing the trigger switch (19).

When the saw comes up to speed (about 1 second) lower the arm smoothly and slowly to cut through the wood. Let the blade come to a full stop before raising arm. When cutting anything larger than a 51mm x 102mm, use an out-down-back motion with the rail lock knob loosened. Pull the saw out, toward you, lower the saw head down toward the workpiece, and slowly push the saw back to complete the cut. Do not allow the saw blade to contact the top of the workpiece while pulling out. The saw may run toward you, possibly causing personal injury or damage to the workpiece.

Warning! Always use a work clamp to maintain control and reduce the risk of workpiece damage and personal injury.

Note: The rail lock knob must be loose to allow the saw to slide along its rails.

Miter crosscuts are made with the miter arm at some angle other than zero. This angle is often 45° for making corners, but can be set anywhere from zero to 47° left or 47° right. Make the cut as described above.

To cut through an existing pencil line on a piece of wood, match the angle as close as possible. Cut the wood a little too long and measure from the pencil line to the cut edge to determine which direction to adjust the miter angle and recut. This will take some practice, but it is a commonly used technique.

Body and hand position (Fig. O1 – O4)

Proper positioning of your body and hands when operating the miter saw will make cutting easier, more accurate and safer. Never place hands near cutting area. Place hands no closer than 152 mm from the blade. Hold the workpiece tightly to the table and the fence when cutting. Keep hands in position until the trigger has been released and the blade has completely stopped. ALWAYS MAKE DRY RUNS

(UNPOWERED) BEFORE FINISH CUTS SO THAT YOU CAN CHECK THE PATH OF THE BLADE. DO NOT CROSS HANDS, AS SHOWN IN FIGURE O3 and O4.

Keep both feet firmly on the floor and maintain proper balance. As you move the miter arm left and right, follow it and stand slightly to the side of the saw blade. Sight through the guard louvers when following a pencil line.

Bevel square to table adjustment (Fig. P)

To align the blade square to the table, lock the arm in the down position with the lock down pin. Place a square against the blade, ensuring the square is not on top of a tooth. Loosen the bevel lock knob and ensure the arm is firmly against the 0° bevel stop. Rotate the 0° bevel adjustment screw with the 10 mm spanner (not provided) as necessary so that the blade is at 0° bevel to the table, as measured with the square.

Cutting picture frames, shadow boxes and other four-sided projects (Fig. Q1, Q2)

To best understand how to make the items listed here, we suggest that you try a few simple projects using scrap wood until you develop a "feel" for your saw. Your saw is the perfect tool for mitering corners like the one shown in Figure Q1. Sketch A in Figure Q2 shows a joint made by using the bevel adjustment to bevel the edges of the two boards at 45° each to produce a 90° corner. For this joint the miter arm was locked in the zero position and the bevel adjustment was locked at 45°. The wood was positioned with the broad flat side against the table and the narrow edge against the fence. The cut could also be made by mitering right and left with the broad surface against the fence.

Cutting trim molding and other frames (Fig. Q2)

Sketch B in Figure Q2 shows a joint made by setting the miter arm at 45° to miter the two boards to form a 90° corner. To make this type of joint, set the bevel adjustment to zero and the miter arm to 45°. Once again, position the wood with the broad flat side on the table and the narrow edge against the fence.

Figures Q1 and Q2 are for four-sided objects only. As the number of sides changes, so do the miter and bevel angles. The chart below gives the proper angles for a variety of shapes.

Number of Sides	Miter or Bevel Angle
4	45°
5	36°
6	30°
7	25.7°
8	22.5°
9	20°
10	18°

The chart assumes that all sides are of equal length. For a shape that is not shown in the chart, use the following formula: 180° divided by the number of sides equals the miter (if the material is cut vertically) or bevel angle (if the material is cut laying flat).

Cutting compound miters (fig. Q3)

A compound miter is a cut made using a miter angle and a bevel angle at the same time. This is the type of cut used to make frames or boxes with slanting sides like the one shown in figure Q3.

Note: If the cutting angle varies from cut to cut, check that the bevel lock knob and the miter lock handle are securely locked. These must be locked after making any changes in bevel or miter.

Cutting base molding (Fig. R)

Straight 90° cuts:

Position the wood against the fence and hold it in place as shown in Figure R. Turn on the saw, allow the blade to reach full speed and lower the arm smoothly through the cut.

Cutting base molding up to 70 mm / 90 mm high vertically against the Fence

BES700 - 70 mm for 216 mm
BES710 - 90 mm for 254 mm

Position material as shown in Figure R All cuts should be made with the back of the molding against the fence and with the bottom of the molding against the table.

	Inside Corner	Outside Corner
Left Side	Miter left 45° Save left side of cut	Miter right 45° Save left side of cut
Right Side	Miter right 45° Save right side of cut	Miter left 45° Save right side of cut

Material up to 70 mm / 90mm can be cut as described above.
BES700 - 70 mm for 216 mm
BES710 - 90 mm for 254 mm

Cutting crown molding

In order to fit properly, crown molding must be compound mitered with extreme accuracy. The two flat surfaces on a given piece of crown molding are at angles that, when added together, equal exactly 90°. Most, but not all, crown molding has a top rear angle (the section that fits flat against the ceiling) of 52° and a bottom rear angle (the part that fits flat against the wall) of 38°.

Your miter saw has special pre-set miter detent points at 31.6° left and right for cutting crown molding at the proper angle. There is also a mark on the bevel scale at 33.9°.

The Bevel Setting/Type of Cut chart gives the proper settings for cutting crown molding. (The numbers for the miter and bevel settings are very precise and are not easy to accurately set on your saw.) Since most rooms do not have angles of precisely 90°, you will have to fine tune your settings anyway.

Instructions for cutting crown molding laying flat and using the compound features

- ◆ Lay the molding with broad back surface down flat on saw table (fig. S1).
- ◆ The settings below are for all Standard crown molding with 52° and 38° angles.

Bevel Setting	Type Of Cut
33.9°	LEFT SIDE, INSIDE CORNER: 1. Top of molding against fence 2. Miter table set right 31.6° 3. Save left end of cut
33.9°	RIGHT SIDE, INSIDE CORNER: 1. Bottom of molding against fence 2. Miter table set left 31.6° 3. Save left end of cut
33.9°	LEFT SIDE, OUTSIDE CORNER: 1. Bottom of molding against fence 2. Miter table set left 31.6° 3. Save right end of cut
33.9°	RIGHT SIDE, OUTSIDE CORNER: 1. Top of molding against fence 2. Miter table set right 31.6° 3. Save right end of cut

Note: When setting bevel and miter angles for all compound miters, remember that the angles presented for crown moldings are very precise and difficult to set exactly. Since they can easily shift slightly and very few rooms have exactly square corners, all settings should be tested on scrap molding.

Alternative method for cutting crown molding

Place the molding at an angle between the fence (12) and the saw table (11), with the top side of the molding on the table and the bottom side of the molding on the fence as shown in figure S2.

The advantage to cutting crown molding using this method is that no bevel cut is required. Minute changes in the miter angle can be made without affecting the bevel angle. This way, when corners other than 90° are encountered, the saw can be quickly and easily adjusted for them.

Instructions for cutting crown molding angled between the fence and base of the saw for all cuts

This saw can cut up to 14 mm x 92 mm crown molding nested.

- ◆ Angle the molding so the bottom of the molding (part which goes against the wall when installed) is against the fence (12) and the top of the molding is resting on the saw table (11), as shown in figure S2.
- ◆ The angled "flats" on the back of the molding must rest squarely on the fence and saw table.

	Inside Corner	Outside Corner
Left Side	Miter right at 45° Save right side of cut	Miter left at 45° Save right side of cut
Right Side	Miter left at 45° Save left side of cut	Miter right at 45° Save left side of cut

Special Cuts

Never make any cut unless the material is secured on the table and against the fence.

Bowed material (fig. T1, T2)

When cutting bowed material always position it as shown in figure T1 and never like that shown in figure T2. Positioning the material incorrectly will cause it to pinch the blade near the completion of the cut.

Cutting round material

Rounded material should be clamped or held firmly to the fence to keep it from rolling. This is extremely important when making angle cuts.

Cutting large material (fig. U)

Occasionally you will encounter a piece of wood a little too large to fit beneath the lower guard.

To clear the guard over the wood, with the saw off and your right hand on the operating handle, place your right thumb outside of the upper portion of the guard and roll the guard up just enough to clear the wood, as shown in figure U. Release the guard prior to starting the motor. The guard mechanism will function properly during the cut. Only do this when necessary.

NEVER TIE, TAPE, OR OTHERWISE HOLD THE GUARD OPEN WHEN OPERATING THIS SAW.

Warning! Always be sure that the tool is switched off and unplugged before adjusting or checking the tools function.

After use

- ◆ After use, wipe off chips and dust adhering to the tool with a cloth or the like.
- ◆ Keep the blade guard clean according to the directions in the previously covered section.
- ◆ Lubricate the sliding portions with machine oil to prevent rust.
- ◆ When storing the tool, pull the carriage toward you fully.

Carrying the tool

- ◆ Make sure the tool is unplugged.
- ◆ Secure the blade at the 0° bevel angle and turn the base to the right mitre angle fully with the slide bar locking screw (28).
- ◆ Secure the slide bars after pulling the carriage toward you fully.
- ◆ Lower the handle fully and lock it in the position by pushing in the saw head locking pin (17).
- ◆ Carry the tool by holding the carry handle (22).
- ◆ If you remove the clamp, dust bag, etc., you can carry the tool more easily.
- ◆ Carry the tool by one hand holding the carrying handle (22) and one hand holding the tool base.

Caution! Always secure all moving portions before carrying the tool.

Saw head locking pin (17) is for carrying and storage purposes only and not for any cutting operations.

Troubleshooting

Problem	Possible Cause	Solution
Motor does not start	Saw not plugged in.	Check that all cords are plugged in.
Angle of cut inaccurate	Mitre table unlocked.	Use mitre table locking lever (see Adjusting the mitre angle section).
	Too much sawdust under table.	Vacuum or blow out dust. Wear eye protection.
Cutting arm cannot fully raise, or blade guard cannot fully close	Parts Failure.	Contact service centre.
	Pivot spring not replaced properly after service.	Contact service centre.
	Sawdust build up.	Clean and lubricate moving parts.
Blade binds, jams or shakes	Saw head locking pin not set properly.	Check, adjust, and properly set saw head locking pin.
	Saw blade damaged.	Replace blade.
	Dull blade.	Replace or sharpen blade.
	Improper blade.	Replace blade.
	Warped blade.	Replace blade.

ENGLISH

Problem	Possible Cause	Solution
Saw vibrates or shakes	Saw blade damaged.	Replace blade.
	Saw blade loosened.	Tighten arbor bolt.
	Saw not properly fastened down.	Fasten saw to bench, stand or table.
	Work piece not properly supported.	Properly support or clamp work piece.

Protecting the environment



Separate collection. Products and batteries marked with this symbol must not be disposed of with normal household waste.

Products and batteries contain materials that can be recovered or recycled reducing the demand for raw materials. Please recycle electrical products and batteries according to local provisions. Further information is available at www.2helpU.com

Technical data

		BES700 Type 1	BES710 Type 1
Voltage	V	230	230
Speed	/min	4800	5000
Blade outer diameter	mm	216	254
Bore diameter	mm	30	30
Weight	kg	12.1	14.9
Blade thickness	mm	1.8	1.8
Blade max. kerf	mm	2.8	2.8
Mitre (max. positions)	°	+/- 47	+/- 47
Bevel (max. positions)	°	47	47
Max. cross-cut capacity at 90 °	mm	305	305
Max mitre capacity at 45 °	mm	203	203
Max. dept cut at 90 °	mm	70	90
Max. dept cut at 45 °	mm	35	40

BES700 - Level of sound pressure according to EN 62841:

L_{pA} (sound pressure) 97.5 dB(A), Uncertainty (K) 3 dB(A)
L_{WA} (sound power) 108.0 dB(A), Uncertainty (K) 3 dB(A)

BES710 - Level of sound pressure according to EN 62841:

L_{pA} (sound pressure) 96.0 dB(A), Uncertainty (K) 3 dB(A)
L_{WA} (sound power) 107.5 dB(A), Uncertainty (K) 3 dB(A)

EC declaration of conformity MACHINERY DIRECTIVE



BES700, BES710 Sliding Compound Mitre Saw

Black & Decker declares that these products described under "technical data" are in compliance with:
EN62841-1:2015, EN62841-3-9:2015+A11:2017

These products also comply with Directive 2006/42/EC, 2014/30/EU and 2011/65/EU.

For more information, please contact Black & Decker at the following address or refer to the back of the manual.

The undersigned is responsible for compilation of the technical file and makes this declaration on behalf of Black & Decker.

A. P. Smith
Technical Director
Black & Decker Europe, 210 Bath Road, Slough,
Berkshire, SL1 3YD
United Kingdom
26/08/2019

Guarantee

Black & Decker is confident of the quality of its products and offers consumers a 24 month guarantee from the date of purchase. This guarantee is in addition to and in no way prejudices your statutory rights. The guarantee is valid within the territories of the Member States of the European Union and the European Free Trade Area.

To claim on the guarantee, the claim must be in accordance with Black & Decker Terms and Conditions and you will need to submit proof of purchase to the seller or an authorised repair agent. Terms and conditions of the Black & Decker 2 year guarantee and the location of your nearest authorised repair agent can be obtained on the Internet at www.2helpU.com, or by contacting your local Black & Decker office at the address indicated in this manual.

Please visit our website www.blackanddecker.co.uk to register your new BLACK+DECKER product and receive updates on new products and special offers.

Сфера застосування

Розсувна комбінована торцювальна пила BLACK+DECKER BES700, BES710 призначена лише для розпилу деревини, пластмаси і кольорових металів. Цей пристрій призначений для непрофесійних користувачів.

Інструкції з техніки безпеки

Загальні правила безпеки для електричного інструмента



Увага! Прочитайте всі попередження та інструкції з техніки безпеки, а також рисунки та специфікації щодо електричного інструменту. Невиконання наведених нижче попереджень та інструкцій може призвести до ураження електричним струмом, пожежі та/або серйозних травм.

Збережіть всі попередження та інструкції для використання в майбутньому. Термін «електричний інструмент» в усіх попередженнях, перерахованих нижче, стосується використовуваних вами інструментів, що працюють від мережі енергоспоживання (з використанням електричного кабелю) або акумуляторів (без кабелю).

1. Безпека робочої зони

- a. Тримайте робочу зону чистою та добре освітленою. Невпорядковані й темні робочі зони збільшують імовірність нещасного випадку.
- b. **Не використовуйте електричні інструменти у вибухонебезпечній атмосфері, наприклад у присутності займистих рідин, газів та пилу.** Електричні інструменти створюють іскри, що можуть запалити пил або випаровування.
- c. Тримайте дітей та сторонніх подалі під час використання інструменту. Відвернення уваги може призвести до втрати контролю.

2. Електрична безпека

- a. Вилка електричного інструмента має відповідати розетці. Ніколи жодним чином не змінюйте вилку. **Не використовуйте адаптери з заземленими електричними інструментами.** Немодифіковані вилки та розетки, що відповідають їм, зменшують ризик ураження електричним струмом.
- b. Уникайте контакту тіла із заземленими поверхнями, такими як труби, радіатори, плити та холодильники. Якщо ваше тіло заземлене, збільшується ризик ураження електричним струмом.
- c. **Не залишайте електричні інструменти під дощем або за умов підвищеної вологості.** Вода, що потрапляє в електричний інструмент, підвищує ризик ураження електричним струмом.

- d. **Не використовуйте кабель живлення не за призначенням. Ніколи не переносьте, не тягніть та не відключайте електричний інструмент від розетки живлення за допомогою шнура.** Тримайте шнур подалі від високих температур, мастила, гострих предметів та рухомих деталей. Пошкоджені або перекручені шнури підвищують ризик ураження електричним струмом.
- e. **При використанні електричного інструменту на вулиці, використовуйте подовжуючий шнур, що підходить для використання на вулиці.** Використання шнура, що підходить для вулиці, знижує ризик ураження електричним струмом.
- f. **Якщо неможливо уникнути використання електричного інструменту за умов підвищеної вологості, використовуйте джерело живлення, захищене пристроєм залишкового струму (RCD).** Використання RCD знижує ризик ураження електричним струмом.

3. Особиста безпека

- a. **Будьте в стані готовності, дивіться, що ви робите, та використовуйте загальний глузд, коли ви працюєте з електричним інструментом. Не використовуйте електричний інструмент, коли ви втомлені або знаходитесь під впливом наркотичних речовин, алкоголю або ліків.** Втрата уваги при роботі з електричними інструментами можуть призвести до серйозних травм.
- b. **Використовуйте особисті засоби безпеки. Завжди використовуйте засоби захисту очей.** Засоби безпеки, такі як протипилова маска, неслизькі безпечні черевички, захисний шолом та засоби захисту слухового апарату, які використані для відповідних умов, зменшують імовірність особистих травм.
- c. **Уникайте випадкового запуску. Переконайтесь в тому, що перемикач знаходиться в позиції Вимк., перш ніж підключати інструмент до джерела живлення та/або акумулятора, переміщувати або переносити.** Якщо ви перенесите інструмент, тримаючи палець на перемикачі, або підключаєте живлення з перекачем в позиції Увімк., це може призвести до нещасного випадку.
- d. **Зніміть всі налаштувальні ключі або гайкові ключі перед вмиканням електричного інструмента.** Гайковий ключ, що залишився прикріпленим до якоїсь деталі електричного пристрою, що обертається, може призвести до травм.
- e. **Не перенапружуйтеся. Завжди утримуйте правильну постановку ніг і рівновагу.** Це дає вам змогу краще контролювати інструмент в непередбачуваних ситуаціях.

- f. **Вдягайте відповідний одяг. Не вдягайте вільний одяг або прикраси. Тримайте ваше волосся та одяг подалі від рухомих деталей.** Вільний одяг, прикраси або довге волосся можуть зачепитися за рухомі деталі.
 - g. **Якщо передбачені пристрої для підключення до засобів виділення та збирання пилу, переконайтеся, що вони правильно підключені та використовуються.** Використання таких пристроїв зменшує ризик виникнення небезпечних ситуацій, що пов'язані з потраплянням пилу.
 - h. **Навіть якщо ви добре знаєте інструмент та часто його використовуєте, не розслабляйтесь та не забувайте про принципи техніки безпеки.** Необережні дії можуть за долю секунди призвести до важких тілесних ушкоджень.
4. **Використання електричного інструмента та догляд за ним**
 - a. **Не застосовуйте надмірні зусилля під час роботи з інструментом. Використовуйте електричний інструмент, який відповідає завданню, що виконується.** Правильно обраний інструмент виконає завдання краще та безпечніше за умов, для яких він був розроблений.
 - b. **Не використовуйте інструмент, вмикач якого не вмикає та не вимикає його.** Будь-який електричний інструмент, який не може управлятися вмикачем, є небезпечним і має бути відремонтований.
 - c. **Відключіть вилку від джерела живлення та/або зніміть акумуляторний блок з електричного інструмента перед тим, як робити будь-які налаштування, змінювати додаткове обладнання чи зберігати електричні інструменти.** Ці профілактичні заходи зменшують ризик випадкового запуску електричного інструмента.
 - d. **Зберігайте вимкнені електричні інструменти подалі від дітей та не дозволяйте особам, що не знайомі з електричним інструментом або цими інструкціями, використовувати електричний інструмент.** Електричні інструменти є небезпечними, якщо вони використовуються некваліфікованими користувачами.
 - e. **Технічне обслуговування електричних інструментів та аксесуарів. Перевіряйте несумісність або заїдання рухомих деталей, наявність ушкоджених частин та інших умов, що можуть впливати на роботу електричного інструмента.** Якщо є пошкодження, відремонтуйте електричний інструмент перед використанням. Багато нещасних випадків є результатом того, що інструмент не пройшов відповідного технічного обслуговування.
 - f. **Тримайте різальні інструменти гострими та чистими.** Правильно доглянуті різальні інструменти з

- гострими різальними кромками мають меншу ймовірність заїдання, та ними легше керувати.
 - g. **Використовуйте електричний інструмент, приладдя та деталі інструмента тощо у відповідності до цих інструкцій, зважаючи на умови використання та роботу, яка має бути виконана.** Використання електричних інструментів не за призначенням може призвести до виникнення небезпечних ситуацій.
 - h. **Всі ручки та поверхні для тримання інструмента повинні бути сухими та без залишків мастила.** Слизькі ручки та жирні поверхні не дозволяють безпечно працювати та контролювати інструмент у неочікуваних ситуаціях.
5. **Обслуговування**
 - a. **Надавайте ваш електричний інструмент для обслуговування кваліфікованим спеціалістом з ремонту та використовуйте тільки ідентичні замінні деталі.** Це забезпечить безпеку електричного пристрою.

Інструкції з техніки безпеки для торцювальних пилок

- ◆ Торцювальні пилки призначені для різання деревини або подібних їй виробів, їх не можна використовувати з абразивними відрізними кругами для різання чорних матеріалів, наприклад, брусків, стрижнів, шипів тощо. Абразивний пил приводить до заїдання рухомих частин, таких як нижній захисний кожух. Іскри від абразивного різання можуть спалити нижній кожух, вставку для прорізу та інші пластикові деталі.
- ◆ Використовуйте затискачі для надійної фіксації заготовки, коли це можливо. Якщо заготовка утримується рукою, завжди тримайте руку на відстані не менше 100 мм по обидва боки від пильного диска. Не використовуйте цю пилку для різання занадто маленьких деталей, які неможливо надійно затиснути або тримати вручну. Якщо рука знаходиться занадто близько до пильного диска, виникає підвищений ризик травмування в результаті контакту з ним.
- ◆ Заготовку слід нерухомо затискати або утримувати на напрямній та на столі. Забороняється подавати заготовку на диск або розрізати з «вільними руками». Заготовки, що не утримуються або рухаються, можуть бути викинуті з високою швидкістю, що може спричинити травму.
- ◆ Протювуйте пилку через заготовку. Не тягніть пилку через заготовку. Щоб виконати різання, підійміть ріжучу голівку і витягніть її

над заготовкою без різання, запустіть двигун, натисніть на ріжучу голівку і проштовхніть пилку через заготовку. Різка на хід пилки може призвести до того, що пильний диск залізе на заготовку і різко перекине вузол пилки в бік оператора.

- ◆ Ніколи не перетинайте рукою лінію розпилу ані спереду, ані ззаду пильного диска. Утримання заготовки «навхрест», тобто утримання заготовки праворуч від пильного диска лівою рукою або навпаки є дуже небезпечним.
- ◆ Під час обертання пильного диска не наближайтеся до напрямної жодної рукою ближче, ніж на 100 мм по обидва боки пильного диска, щоб видалити тирсу або з будь-якої іншої причини. Близькість пильного диска під час обертання до руки може бути не очевидною і призвести до серйозних травм.
- ◆ Перед виконанням різання огляньте заготовку. Якщо заготовка зігнута або викривлена, затисніть її зовнішньої зігнутою стороною до напрямної. Завжди стежте за тим, щоб між заготовкою, напрямною і столом не було зазору по лінії розрізу. Вигнуті або викривлені заготовки можуть скручуватися або зміщуватися і при різанні можуть стати причиною заїдання на пильному диску, що обертається. В заготовці не повинно бути цвяхів або сторонніх предметів.
- ◆ Не використовуйте пилку, поки не очистите стіл від усіх інструментів, тирси тощо, окрім заготовки. Невеликі уламки, вільні шматки дерева або інші предмети, що потрапляють на диск, що обертається, можуть бути викинуті з високою швидкістю.
- ◆ Розпилюйте одну заготовку за раз. Неможливо належним чином затиснути або закріпити кілька покладених в штабель заготовок, вони можуть зачепитися за диск або зрушитись під час різання.
- ◆ Перед використанням переконайтеся, що торцювальна пилка змонтована або встановлена на рівній та міцній робочій поверхні. Рівна і міцна робоча поверхня знижує ризик нестійкості торцювальної пилки.
- ◆ Плануйте свою роботу. Кожного разу, коли ви змінюєте кут нахилу або скосу, переконайтеся, що регульована напрямна встановлена правильно для утримування заготовки, і не заважатиме роботі диска або системи захисту. Не включаючи інструмент і без заготовки на столі зробіть повну імітацію різання пильним диском, щоб переконалися у відсутності перешкод або небезпеки порізів напрямної.
- ◆ Для заготовки, ширина або довжина якої більше, ніж стіл, забезпечте відповідну опору, таку як висувні столи, пильні козли тощо. Заготовки,

які довше або ширше, ніж стіл для торцювальної пилки, можуть перекидатися, якщо не забезпечена надійна опора. Якщо відрізна частина або заготовка перекидається, вона може підняти нижній кожух або бути викинута пильним диском під час обертання.

- ◆ Забороняється використовувати іншу особу замість висувного стола або в якості додаткової опори. Нестабільна опора заготовки може призвести до заїдання диска або зміщення заготовки під час операції різання, втягуючи вас і помічника до диска, що обертається.
- ◆ Забороняється притискати відрізану частину до пильного диска, що обертається, або затискати її будь-яким способом. При обмеженні, тобто при використанні обмежувачів довжини, відрізна частина може заклинюватися на лезі і бути відкинута із силою.
- ◆ Завжди використовуйте затискач або кріплення, призначене для правильного утримування круглих матеріалів, таких як стрижні або труби. Стрижні мають схильність котитися під час різання, що призводить до того, що диск «кусається» і затягує до себе вашу руку.
- ◆ Дайте диску досягти повної швидкості перед контактом із заготовкою. Це зменшить ризик викидання заготовки.
- ◆ Якщо заготовку або диск заклинило, вимкніть пилку. Зачекайте, доки всі рухомі частини зупиняться і від'єднайте штекер від джерела живлення та/або вийміть акумуляторну батарею. Потім звільніть матеріал, що застряг. Продовження різання із затиснутою заготовкою може призвести до втрати контролю або пошкодження торцювальної пилки.
- ◆ Після завершення різання відпустіть перемикач, тримайте ріжучу голівку вниз і дочекайтеся зупинки пильного диска перед витяганням відрізаної частини. Небезпечно дотикатися рукою до диска, який рухається за інерцією.

Додаткові інструкції з техніки безпеки для торцювальних пилко

- ◆ При неповному розпилі або при відпусканні перемикача міцно тримайтеся за ручку увесь час до повного досягнення ріжучою голівкою нижнього положення. Гальмування пилки може призвести до раптового втягування ріжучої головки донизу, що може спричинити травму.
- ◆ Використання за призначенням описане в цьому керівництві з використання. Використання аксесуарів або приладдя, виконання будь-яких дій з інструментом, що суперечать рекомендаціям цієї інструкції, може

становити небезпеку травмування людини та/або пошкодження майна.

- ◆ Не використовуйте тріснуті/вигнуті/пошкоджені/деформовані пильні диски.
- ◆ Після зносу накладки із прорізом для диска замініть її.
- ◆ Не використовуйте пильні диски більшого або меншого діаметру, ніж рекомендовано. Зверніться до технічних даних, щоб дізнатися, який диск вам потрібен. Використовуйте лише диски, що вказані в цьому посібнику та відповідають стандарту EN 847-1.
- ◆ Не використовуйте пильні диски зі швидкорізальної сталі (HSS).



Увага! Контакт з пилом або його вдихання при різанні може загрожувати здоров'ю оператора та присутніх сторонніх осіб. Необхідно використовувати протипилову маску, яка призначена спеціально для захисту від пилу та випаровувань, та переконайтеся, що особи, які знаходяться в робочій зоні, також використовують засоби захисту.

- ◆ Не працюйте з матеріалом, що містить азбест. Азбест вважається канцерогенним.
- ◆ При роботі з пильними дисками і грубим матеріалом надягайте рукавиці (коли це можливо, пильні диски слід носити в тримачі).
- ◆ Носіть засоби захисту органів слуху, щоб знизити ризик втрати слуху.
- ◆ Пропонується використовувати спеціальні нешумні пильні диски.
- ◆ Носіть засоби захисту очей, щоб знизити ризик отримання травми.
- ◆ При розпилюванні деревини використовуйте пилосбірник з комплекту поставки.
- ◆ **Тримайте інструмент за ізольовану поверхню при виконанні операцій коли ріжучі аксесуари можуть торкнутися проводки або власного кабелю.** При контакті ріжучого елемента з дротом під напругою може з'явитися напруга в металевих деталях інструменту, що може призвести до ураження оператора електричним струмом
- ◆ Виберіть диск, що підходить для різання матеріалу.
- ◆ Не використовуйте пристрій без встановленого захисного кожуха. Не використовуйте пристрій, якщо захисний кожух не функціонує або не обслуговується належним чином.
- ◆ Переконайтеся, що важіль фіксації кута нахилу надійно зафіксований.
- ◆ Перед кожним розпилем необхідно переконатися у надійній фіксації пристрою.
- ◆ Всі ручки інструменту повинні бути сухими, чистими та без залишків мастила.

- ◆ Тримайте пристрій в чистоті і не допускайте попадання в нього сипучих матеріалів, наприклад, стружки і обрізків.
- ◆ Переконайтеся, що пристрій і робоча зона оснащені відповідним загальним або локальним освітленням.
- ◆ Забороняється допускати до роботи з пристроєм непідготовлених осіб.
- ◆ Перед використанням переконайтеся, що пильне полотно встановлено вірно. Переконайтеся, що пильний диск обертається у потрібному напрямку. Пильне полотно має бути гострим. Дотримуйтесь інструкції щодо змащування та заміни витратних матеріалів.
- ◆ Переконайтеся, що швидкість, зазначена на пильному диску, як мінімум дорівнює швидкості, зазначеній на пилці.
- ◆ Переконайтеся, що всі прокладки та кільця шпинделя відповідають способам використання, зазначеним компанією BLACK+DECKER.
- ◆ Ремонт системи наведення лінії різання має здійснюватися в офіційному сервісному центрі або персоналом сервісного центру компанії BLACK + DECKER.
- ◆ Перед виконанням будь-яких робіт із обслуговування інструменту або заміни диска відключіть силовий кабель від мережі.
- ◆ Ніколи не здійснюйте очищення, технічне обслуговування, видалення обрізків або інших частин заготовки із зони різання, коли пристрій працює і ріжуча головка не знаходиться в неробочому положенні.
- ◆ За можливості закріплюйте інструмент на верстаку.
- ◆ Перед виконанням будь-якої роботи перевірте, щоб були затягнені всі фіксуючі ручки і рукоятки.
- ◆ Ніколи не використовуйте пилку без вставки для столу.
- ◆ Ніколи не зупиняйте рух двигуна інструменту, щоб будь-яким чином протидіяти вільному обертанню диска, це може випадково призвести до серйозних нещасних випадків.
- ◆ Перед використанням або встановленням будь-якого приладдя, вивчіть відповідне керівництво з експлуатації. Невірне використання приладдя може призвести до пошкодження інструменту.
- ◆ Перш ніж відпустити перемикач, витягніть диск зі вставки столу в заготовці.
- ◆ Ніколи нічого не вставляйте між лопатками вентилятора, щоб зупинити вал двигуна.
- ◆ Захисний кожух диска автоматично піднімається при опусканні важеля і опускається, закриваючи диск, якщо важіль піднімається. Кожух можна підняти вручну для заміни дисків або для огляду пилки. Ніколи не піднімайте захисний кожух диска вручну, якщо пристрій не вимкнено.

- ◆ Періодично оглядайте вентиляційні отвори двигуна, вони повинні бути чистими і без тирси.
- ◆ Ніколи не допускайте, щоб попереджувальні знаки на електричному інструменті було неможливо розпізнати.
- ◆ Ніколи не вставляйте на електричний інструмент. При перекиданні електричного інструменту або при контакті з пильним диском можливі важкі травми.
- ◆ Не торкайтеся до пильного диска після роботи до його охолодження. Під час використання пильний диск надмірно нагрівається.
- ◆ Щоб уникнути травм від матеріалів, що викидаються, відключіть силовий кабель, щоб уникнути випадкового запуску, а потім видаліть дрібні матеріали.
- ◆ Перед використанням і після будь-якого технічного обслуговування необхідно перевірити працездатність захисного кожуха диска. Дану перевірку слід проводити, коли пилка вимкнена і відключена від мережі електроживлення. Підніміть і опустіть важіль, щоб переконатися, що кожух закриває диск, але не стикається з ним. Якщо захисний кожух не працює належним чином, зверніться до сервісного центру для ремонту електричного інструменту. Зателефонуйте до служби підтримки клієнтів BLACK+DECKER, щоб зв'язатися з найближчим сервісним центром.
- ◆ **Ця торцювальна пилка призначена лише для розпилу деревини, пластмаси і кольорових металів.** Не використовуйте пилку для розпилюванні матеріалів, не рекомендованих виробником.
- ◆ Не торкайтеся до пильного диска після роботи до його охолодження. Під час використання пильний диск надмірно нагрівається.



Увага! Різання пластмаси, заболони деревини з покриттям та інших матеріалів може призвести до накопичення розплавленого матеріалу на кінчиках пильного диска і його корпусі, збільшуючи ризик перегрівання і заїдання диска при різанні.

Залишкові ризики

Наступні ризики можуть залишитися при використанні пилки:

Незважаючи на виконання всіх відповідних правил техніки безпеки та використання захисних пристроїв, неможливо уникнути деяких залишкових ризиків. Сюди належать:

- ◆ Травми через контакт з деталями, що рухаються/обертаються.
- ◆ Порушення слуху.
- ◆ Ризик нещасного випадку, викликаний незакритими деталями пильного диска, що обертається.
- ◆ Ризик травми при заміні деталей, дисків або аксесуарів.

- ◆ Ризик затиснення пальців при відкритті захисних кожухів.
- ◆ Небезпека для здоров'я через вдихання пилу, що утворюється при розпилюванні деревини, особливо дубу, берези та ДВП.
- ◆ Травми через занадто тривале використання інструменту. Під час використання будь-якого інструменту протягом тривалого періоду часу не забувайте робити регулярні перерви.

Шум

Значення шуму були виміряні з дотриманням стандартних методів тестування та можуть використовуватися для порівняння одного інструменту з іншим.

Задекларовані значення шуму можна також використовувати для попереднього оцінювання шумового впливу.

Увага! Значення шуму під час використання інструмента можуть відрізнятись від задекларованих в залежності від способів використання інструмента, в першу чергу від типу заготовки, що обробляється.

Увага! Завжди надягайте засоби індивідуального захисту для органів слуху. За певних умов та тривалості використання шум від цього виробу може сприяти втраті слуху. Пам'ятайте про наступні фактори, що впливають на інтенсивність шуму:

- ◆ Використовуйте пильні диски, розроблені для зменшення рівня шуму,
- ◆ Використовуйте тільки добре заточені пильні диски, і
- ◆ Використовуйте спеціально розроблені нешумні пильні диски.

Написи на інструменті

На інструменті нанесені подані нижче позначки та код дати:



Увага! Щоб зменшити ризик травм, користувач повинен прочитати посібник з експлуатації.



Використовуйте захисні окуляри



Використовуйте засоби захисту органів слуху



Використовуйте респіратор



Цей продукт не можна використовувати дітям до 16 років



Тримайте руки подалі від диска



Зона, заборонена для рук. Тримайте пальці та руки подалі від пильних дисків, які обертаються



Вдягайте рукавиці під час роботи з пильними дисками



Не дивіться на лампу, що працює



Не залишайте пристрій під дощем.



Витягніть вилку з розетки у разі пошкодження або заплутування шнура.

Електрична безпека



Цей зарядний пристрій має подвійну ізоляцію; тому заземлення не є необхідним. Завжди перевіряйте відповідність джерела живлення напрузі, яка вказана на табличці з паспортними даними.

- ◆ Якщо шнур живлення пошкоджений, його необхідно замінити у виробника або в офіційному сервісному центрі компанії BLACK+DECKER для уникнення небезпеки.

Перепади напруги

Пусковий струм спричиняє короткі перепади напруги. За несприятливий умов подачі живлення це може вплинути на інше обладнання. Якщо опір системи подачі живлення нижче 0,178 Ω , проблеми виникати не повинні.

Використання подовжувального кабелю

Завжди використовуйте відповідний подовжувальний кабель, який підходить для споживаної потужності даного інструменту (див. технічні дані). Перед використанням огляньте кабель, щоб виявити ознаки пошкодження, зносу та старіння. Замініть кабель, якщо він пошкоджений або має якісь дефекти. При використанні кабельного барабану завжди витягуйте весь кабель. Використання подовжувального кабелю, який не відповідає споживаній потужності інструмента або має пошкодження або дефекти, може стати причиною пожежі або ураження електричним струмом.

Компоненти

Цей пристрій оснащено всіма або кількома з указаних нижче компонентів.

1. Повзунки
2. Ручка фіксації кута нахилу
3. Опорна стійка
4. Затиск заготовки
5. Рейка висувного стола

6. Отвори для болтів
7. Індикатор кута скосу
8. Вставка для столу
9. Ручка фіксації кута скосу
10. Опорна пластина
11. Поворотний стіл
12. Задня напрямна
13. Пильний диск
14. Захисний кожух диска
15. Монтажна пластина захисного кожуха
16. Корпус мотору
17. Стопорний штифт ріжучої головки
18. Основна ручка
19. Тригерний перемикач
20. Важіль звільнення захисного кожуха
21. Кнопка вмикання/вимикання підсвічування лінії різання
22. Ручка для перенесення
23. Пилозбірник
24. Регульована опорна ніжка
25. Індикатор кута нахилу
26. Шкала кута скосу
27. Шкала кута нахилу
28. Стопорний гвинт повзунків
29. Гвинт глибини різання
30. Інструмент для заміни диска
31. Фіксатор шпинделя
32. Ручка розблокування кута скосу
33. Стопорний гвинт висувної рейки
34. Стопорний гвинт затиску
35. Стопорний гвинт розсувної напрямної
36. Обмотка кабелю

Монтаж

Ваша торцювальна пила зібрана в картонній коробці.

- ◆ Відкрийте коробку і витягніть пилку.
- ◆ Розмістіть пилку на гладкій рівній поверхні, наприклад, на верстаті або міцному столі.
- ❖ Перевірте монтажну схему на 2 сторінці цього посібника, щоб ознайомитися з пилкою та її різними деталями. Розділ про коригування буде посилатися на ці терміни, і ви повинні знати деталі і де вони знаходяться.
- ◆ При транспортуванні інструменту рукоятка фіксується стопорним штифтом ріжучої головки (17) в нижньому положенні. Потягніть стопорний штифт ріжучої головки (17) і поверніть його на 90° по або проти годинникової стрілки, як показано на рисунку А.
- ◆ Ручка фіксації кута скосу (9) не збирається для транспортування. Вийміть ручку фіксації кута скосу (9) з упаковки і нагвинтіть її на пилку, положення див. на рисунку В.

Рейка висувного стола (Рис. С і D)

Ваша торцювальна пила постачається з 2 рейками висувного стола (5) для утримання довгих навісаючих заготовок.

- ◆ Потягніть рейку висувного стола (5) на необхідну для заготовки довжину, як показано на рисунку С.
- ◆ Зафіксуйте її в потрібному положенні, затягнувши стопорний гвинт висувної рейки (33), як показано на рисунку D.
- ◆ Повторіть процедуру на протилежній стороні.

Опорна стійка – тільки для BES710 (Рис. E)

Ваша торцювальна пила BES710 поставляється з 1 опорною стійкою (3), розташованою в задній частині пристрою для підвищення стійкості.

Кріплення до верстату (Рис. F)

Торцювальну пилку можна закріпити чотирма болтами (6а) (не входять в комплект поставки) на рівній і стійкій поверхні за допомогою отворів для болтів (6), передбачених в основі інструменту. Це допоможе запобігти перекиданню та можливим травмам.

Збирання пилу (Рис. G)

Використання пилозбірника (23) забезпечує чистоту різання і простоту збору пилу.

- ◆ Щоб прикріпити пилозбірник (23), встановіть його на сопло (23а).
- ◆ Коли пилозбірник (23) буде наполовину заповнений, зніміть його з інструменту.
- ◆ Випорожніть пилозбірник від вмісту, злегка постукавши по ньому, щоб видалити частки, що прилипають до внутрішніх поверхонь і можуть перешкодити подальшому збору пилу.

Примітка: При підключенні пилососа до пилки можна виконувати роботу більш ефективно і чисто.

Встановлення затиску заготовки (Рис. H)

- ◆ Вставте затиск (4) у отвір (4с) за напрямною. Затиск має бути спрямований у бік задньої частини торцювальної пилки. Канавка на штоку затиску має бути повністю вставлена в основу. Переконайтеся, що ця канавка повністю вставлена в основу пилки. Якщо канавку видно, затиск не буде надійним.
- ◆ Поверніть затиск на 180° у бік передньої частини торцювальної пилки.
- ◆ Послабте ручку (4b), щоб відрегулювати затиск вгору або вниз, а потім за допомогою ручки тонкого регулювання (4а) міцно затисніть заготовку.

Примітка: помістіть затиск на протилежному боці основи при нахилі. ЗАВЖДИ ВИКОНУЙТЕ ІМІТАЦІЮ РІЗАННЯ (БЕЗ ЖИВЛЕННЯ) ПЕРЕД ПОЧАТКОМ РОЗРІЗУ, ЩОБ ПОБАЧИТИ ШЛЯХ ПИЛЬНОГО ДИСКА. ПЕРЕКОНАЙТЕСЯ, ЩО ЗАТИСК НЕ ПЕРЕШКОДЖАЄ РОБОТІ ПИЛИ АБО ЗАХИСНОГО КОЖУХА.

Зміна чи встановлення нового пильного диска (Рис. I, J, K)

Увага! Щоб знизити ризик отримання серйозної травми, вимкніть інструмент та від'єднайте його від джерела живлення, перш ніж намагатися перемістити, замінити приладдя або виконати будь-яке регулювання.

Увага! Ніколи не натискайте кнопку фіксації шпинделя (31), коли пильний диск знаходиться під напругою або рухається за інерцією.

Увага! Забороняється різати чорний метал (такий, що містить залізо або сталь), цеглу або фіброцемент за допомогою цієї торцювальної пилки.

Виймання диска

- ◆ Відключіть пилку від мережі.
- ◆ Підніміть важіль в верхнє положення і підніміть захисний кожух (14) якомога вище.
- ◆ Послабте, але не знімайте гвинт захисного кронштейна (13с), поки кронштейн не буде піднятий настільки, щоб отримати доступ до гвинта диска (13а). Нижній захисний кожух залишиться піднятим через положення гвинта захисного кронштейна, як показано на рисунку I.
- ◆ Натисніть кнопку фіксації шпинделя (31), обережно повертаючи пильний диск рукою, поки він не зафіксується, як показано на рисунку J.
- ◆ Тримачи кнопки натиснутою, послабте гвинт диска (13а) іншою рукою та інструментом для заміни диска (30). (Ліва різьба, повертайте за годинниковою стрілкою.)
- ◆ Вийміть гвинт диска (13а), зовнішню шайбу затиску (13d), диск(13) і адаптер диска (13е), якщо він використовується. Внутрішню шайбу затиску (13f) можна залишити на шпинделі.

Встановлення диска

- ◆ Відключіть пилку від мережі.
- ◆ З піднятим важелем та захисним кронштейном, а також відкритим захисним кожухом, встановіть диск на шпиндель, на адаптер диска і на внутрішній затискач диска зубцями в нижній частині диска, спрямованими в бік задньої частини пилки.
- ◆ Встановіть зовнішню шайбу затиску на шпиндель.
- ◆ Встановіть гвинт диска і, зафіксувавши фіксатор шпинделя, міцно затягніть його за допомогою гайкового ключа (поверніть ліву різьбу проти годинникової стрілки).

Регулювання кута скосу (Рис. L)

- ◆ Ослабте захват (9), повернувши проти годинникової стрілки.
- ◆ За допомогою ручки розблокування кута скосу (32) перемістіть поворотний стіл (11) в положення, коли

стрілка (7) вказує на потрібний кут на шкалі кута скосу (26) і затягніть ручку за годинниковою стрілкою.

- ◆ Регульована опорна ніжка (24) допомагає утримувати інструмент в рівновазі. Після кожного регулювання кута скосу слід повертати ручку на ніжку по або проти годинникової стрілки, поки її нижня частина не торкнеться землі. Залежно від глибини верстата є дві позиції.

Глибина різання

Якщо потрібно вирізати канавку, можна налаштувати глибину різання, використовуючи гвинт (29) або диск.

- ◆ Поверніть гвинт глибини різання (29) і зафіксуйте контргайкою.

Регулювання напрямної

Перед нарізкою фасок переконайтеся, що жодна частина інструменту не стикається з напрямної (12) при опусканні і піднятті ручки повністю в будь-якому положенні і при витягуванні або штовханняні каретки до упору в найнижче положення. Перед початком роботи з інструментом переконайтеся, що розсувна напрямна надійно закріплена ступорним гвинтом (35) розсувної напрямної.

Увага! При виконанні нарізки фасок посуňte розсувну напрямну вліво та зафіксуйте її. В іншому випадку вона може стикатися з диском або його частиною, що може привести до серйозних травм оператора.

Цей інструмент оснащений розсувною напрямною, яка зазвичай розташовується посередині. Однак при виконанні різання лівої фаски встановіть її в ліве положення, якщо головка інструменту з нею стикається. Після завершення операцій різання фасок не забудьте повернути напрямну у вихідне положення і надійно закріпити її, затягнувши ступорний гвинт розсувної напрямної (35).

Регулювання кута нахилу (Рис. М)

При нахилі каретки вліво звільніть важіль (2) в задній частині інструменту проти годинникової стрілки. Розблокуйте важіль, сильно натискаючи на ручку тільки в одному напрямку.

- ◆ Нахиліть пильний диск так, щоб стрілка (25) вказувала на потрібний кут на шкалі нахилу (27).
- ◆ Затягніть важіль (2) за годинниковою стрілкою, щоб зафіксувати кронштейн.

Увага! При нахилі пильного диска переконайтеся, що ручка піднята повністю. Після зміни кута нахилу завжди фіксуйте важіль, затягуючи його за годинниковою стрілкою.

Увага! При нахилі пильного диска завжди враховуйте вагу головки і стежте за тим, щоб вона не впала.

Робота перемикача (Рис. N)

УВАГА! Перед підключенням інструменту до мережі завжди перевіряйте, чи правильно спрацював перемикач (19) і чи він повертається у положення «Вимк.» після відпускання.

- ◆ Щоб запустити інструмент, перемістіть вказівним пальцем важіль звільнення захисного кожуха (20) вправо.
- ◆ Натисніть на перемикач (19).
- ◆ Щоб зупинити інструмент, відпустіть перемикач (19).

Увага! Ніколи не використовуйте інструмент без повністю робочого перемикача. Будь-який інструмент з неробочим перемикачем є ВИСОКО НЕБЕЗПЕЧНИМ і підлягає ремонту перед використанням.

Використання системи лінії різання (Рис. N)

Примітка: Торцювальна пилка має бути підключена до джерела живлення. Система лінії різання оснащена вимикачем (21). Система лінії різання не залежить від вимикача торцювальної пилки.

Для роботи пилки не потрібно вмикати світло. Щоб прорізати існуючу накреслену лінію на шматку дерева:

- ◆ Увімкніть систему лінії різання, потім потягніть вниз ручку керування (18), щоб підвести пильний диск до деревини. На деревині з'явиться тень від диска.
- ◆ Вирівняйте накреслену лінію уздовж тіні диска. Можливо, вам доведеться відрегулювати кут скосу або нахилу, щоб точно відповідати накресленій лінії.

Поперечні розрізи

Торцювання виконується шляхом різання деревини під будь-яким кутом поперек волокон. Пряме торцювання виконується з важелем скосу в нульовому положенні. Встановіть і заблокуйте важіль скосу на нуль, міцно притисніть деревину до столу і напрямної. Затягнувши ручку фіксації рейки, включіть пилку, натиснувши на вимикач (19).

Коли пилка набере швидкість (близько 1 секунди), плавно і повільно опустіть важіль для розпилу деревини. Перед тим як підняти ріжучу голівку, дайте диску повністю зупинитися. При різанні заготовок розміром понад 51 мм x 102 мм використовуйте рух назад при ослабленні ручці фіксації рейки. Потягніть пилку на себе, опустіть ріжучу голівку вниз до заготовки і повільно штовхайте пилку назад, щоб завершити різання. Не допускайте контакту пильного диска з верхньою частиною заготовки при витягуванні. Пилку може відкинути до вас, що може призвести до тілесних ушкоджень або пошкодження заготовки.

Увага! Завжди використовуйте затиск заготовки для підтримання контролю і зниження ризику пошкодження заготовки і отримання травм.

Примітка: ручка фіксації рейки має бути ослаблена, щоб пилка могла ковзати по рейкам.

Поперечні розрізи виконуються за допомогою важеля скосу під кутом, відмінним від нуля. Часто цей кут складає 45° для створення кутів, але може бути встановлений в діапазоні від нуля до 47° вліво або 47° вправо. Зробіть розріз, як описано вище.

Щоб прорізати існуючу накреслену лінію на шматку дерева, підберіть кут якомога точніше. Обріжте деревину трохи далі і вимірте від накресленої лінії до ріжучої кромки, щоб визначити, в якому напрямку відрегулювати кут скосу і повторіть різання. Для цього буде потрібно трохи потренуватися, але це широко використовувана практика.

Положення тіла та рук (Рис. О1 – О4)

Вірне розташування тіла та рук при роботі з торцювальною пилкою робить різання більш простим, точним та безпечним. Ніколи не розташовуйте руки біля ріжучих поверхонь. Не розташовуйте руки ближче ніж 152 мм від пильного полотна. Добре притискайте заготовку до столу та напрямної при розрізанні. Утримуйте руки в тому ж положенні до відпускання вимикача та повної зупинки пильного диска. ЗАВЖДИ РОБІТЬ ПРОБНІ ПРОГОНИ (БЕЗ ЖИВЛЕННЯ) ПЕРЕД ОСТАТОЧНИМ РІЗАННЯМ, ЩОБ МОЖНА БУЛО ПЕРЕВІРИТИ ТРАЄКТОРІЮ РУХУ ДИСКА. НЕ СХРЕЩУЙТЕ РУКИ, ЯК ПОКАЗАНО НА РИСУНКАХ О3 І О4.

Утримуйте обидві ноги на підлозі та утримуйте рівновагу. При пересуванні важеля скосу вліво та вправо стежте за ним та стійте трошки в стороні від пильного диска. При русі по накресленій лінії дивіться крізь захисні жалюзі.

Підгонка малки до столу (Рис. Р)

Щоб вирівняти кут нахилу диска відносно столу, зафіксуйте важіль в нижньому положенні за допомогою стопорного штифта. Прикладіть малку до диска, переконавшись, що вона не знаходиться на верхівці зубця. Відпустіть ручку фіксації кута нахилу і переконайтеся, що важіль щільно прилягає до обмежувача кута нахилу 0°. Поверніть регулювальний гвинт кута нахилу 0° за допомогою ключа на 10 мм (не входить до комплекту поставки) по мірі необхідності так, щоб диск був під кутом 0° до столу відповідно до вимірів малкою.

Різнання фоторамок, панно-вітрин та інших чотиригранних об'єктів (Рис. Q1, Q2)

Щоб краще зрозуміти, як виготовляти наведені тут вироби, ми пропонуємо вам спробувати кілька простих проектів з використанням деревних відходів, поки ви не «відчуєте» свою пилку. Ваша пилка — це ідеальний інструмент для скошування кутів, як показано на рисунку Q1. На ескізі А Рисунку Q2 показано з'єднання, виконане за допомогою регулювання фасок, що дозволяє скосити край двох дощок на 45° і отримати кут 90°. Для цього з'єднання важіль скосу був заблокований в нульовому положенні, а регулювання кута нахилу — на 45°. Дощку необхідно було розмістити на столі пилки плоским боком до столу та вузькою стороною до напрямної. Розріз можна отримати, змінюючи кут скосу вправо або вліво, при цьому широка поверхня дошки має бути направлена до напрямної.

Різнання профілів та інших рам (Рис. Q2)

На ескізі В Рисунку Q2 показано з'єднання, виконане шляхом установки важеля скосу на 45°, щоб з'єднати дві дошки під кутом 90°. Для виконання цього типу з'єднання встановіть кут нахилу на нуль, а важіль скосу — на 45°. Знову розмістіть дошку на столі плоским боком до столу та вузькою стороною до напрямної. На Рисунках Q1 і Q2 показані тільки чотиристоронні об'єкти. При зміні кількості сторін потрібно змінювати кут скосу або нахилу. На наведений нижче таблиці показані правильні кути для різних фігур.

Кількість сторін	Кут скосу або нахилу
4	45°
5	36°
6	30°
7	25,7°
8	22,5°
9	20°
10	18°

У таблиці передбачається, що всі сторони мають рівну довжину. Для фігур, не показаних в таблиці, використовуйте наступну формулу: 180° поділене на кількість сторін дорівнює куту скосу (якщо матеріал розрізаний вертикально) або нахилу (якщо матеріал розрізаний, лежачи на поверхні плоско).

Різнання комбінованих скосів (Рис. Q3)

Комбіноване різання — це коли і кут скосу, і кут нахилу не дорівнюють нулю. Такі розрізи потрібно виконувати при виготовленні рам або ящиків з похилими стінками, як показано на Рисунку Q3.

Примітка: якщо при роботі потрібно змінювати кути скосу і нахилу постійно, перевірте, щоб перед включенням пилки були надійно зафіксовані обидві фіксуючі ручки. Тобто потрібно надійно затягувати фіксуючі ручки після кожної зміни кута скосу або нахилу.

Різнання плінтусів (Рис. R)

Прямі розрізи під кутом 90°:

Розмістіть дерев'яну заготовку на напрямній і утримуйте її на місці, як показано на Рисунку R. Увімкніть пилку, дайте їй набрати повну швидкість і плавно опустіть ріжучу головку в розріз.

Різнання плінтуса до 70 мм / 90 мм у висоту по

вертикалі до напрямної

BES700 – 70 мм для 216 мм

BES710 – 90 мм для 254 мм

Розмістіть матеріал, як показано на Рисунку R. Всі розрізи слід виконувати з задньої сторони плінтуса до напрямної і з нижньої сторони плінтуса до столу.

	Внутрішній кут	Зовнішній кут
Ліва сторона	Скіс зліва 45° Отримувана деталь буде знаходитись зліва від диска	Скіс справа 45° Отримувана деталь буде знаходитись зліва від диска
Права сторона	Скіс справа 45° Отримувана деталь буде знаходитись справа від диска	Скіс зліва 45° Отримувана деталь буде знаходитись справа від диска

Матеріал до 70 мм / 90 мм можна різати, як описано вище.

BES700 – 70 мм для 216 мм

BES710 – 90 мм для 254 мм

Різнання карнизів

Для того, щоб правильно підігнати карниз, необхідно виконати комбінування з високою точністю. Дві плоскі поверхні на даній частині карниза знаходяться під кутом, який при складенні становить рівно 90°. У більшості, але не у всіх карнизів верхній задній кут (секція, яка плоско прилягає до стелі) становить 52°, а нижній задній кут (частина, яка плоско прилягає до стіни) — 38°. Ваша торцювальна пилка має спеціальні встановлені точки фіксації під кутом 31,6° зліва і справа для різання карнизів під потрібним кутом. На шкалі нахилу також є відмітка 33,9°.

Налаштування нахилу/діаграма типів розрізів дає правильні параметри для різання карнизів. (Цифри для регулювання параметрів скосу і нахилу дуже точні і

задаються на пилці не так просто.) Оскільки в більшості приміщень кути не дорівнюють точно 90°, вам все одно доведеться точно налаштувати параметри.

Інструкція з різання карнизів при укладанні на плоску поверхню і використання властивостей комбінування

- ◆ Покладіть форму на стіл пилки широкою задньою поверхнею вниз (Рис. S1).
- ◆ Нижче наведені параметри для стандартного карниза з кутами 52° і 38°.

Налаштування нахилу	Тип розрізу
33,9°	ЛІВА СТОРОНА, ВНУТРІШНІЙ КУТ: 1. Верхня частина форми навпроти напрямної 2. Скіс стола встановлений праворуч під кутом 31,6° 3. Отримувана деталь буде знаходитись зліва від диска
33,9°	ПРАВА СТОРОНА, ВНУТРІШНІЙ КУТ: 1. Нижня частина форми навпроти напрямної 2. Скіс стола встановлений ліворуч під кутом 31,6° 3. Отримувана деталь буде знаходитись зліва від диска
33,9°	ЛІВА СТОРОНА, ЗОВНІШНІЙ КУТ: 1. Нижня частина форми навпроти напрямної 2. Скіс стола встановлений ліворуч під кутом 31,6° 3. Отримувана деталь буде знаходитись справа від диска
33,9°	ПРАВА СТОРОНА, ЗОВНІШНІЙ КУТ: 1. Верхня частина форми навпроти напрямної 2. Скіс стола встановлений праворуч під кутом 31,6° 3. Отримувана деталь буде знаходитись справа від диска

Примітка: під час налаштування кутів нахилу і скосу для всіх комбінованих скосів пам'ятайте, що кути, приведені для карнизу, дуже точні і їх важко точно налаштувати. Так як їх можна легко зрушити, і лише в небагатьох приміщеннях є точні прямі кути, всі параметри треба перевірити на формах з відходів.

Альтернативний спосіб різання карнизів

Розмістіть форму під кутом між напрямною (12) і столом пилки (11), верхня сторона форми має знаходитися на столі, а нижня — на напрямній, як показано на рисунку S2. Перевага такого методу різання карнизів полягає в тому, що не потребується різання фасок. Незначні зміни кута скосу можна виконувати без впливу на кут нахилу. Таким чином, при виявленні кутів, відмінних від 90°, пилку можна швидко і легко підігнати під них.

Інструкція з різання карнизів під кутом між напрямною і столом пилки для всіх розрізів

За допомогою цієї пилки можна вирізати вкладені карнизи до 14 мм x 92 мм.

- ◆ Нахиліть форму так, щоб нижня частина форми (частина якої спрямована до стіни при установці) була спрямована до напрямної (12), а верхня частина — спиралася на стіл пилки (11), як показано на рисунку S2.
- ◆ Похилі «площини» на задній стороні форми мають бути розташовані прямо на напрямній і столі пилки.

	Внутрішній кут	Зовнішній кут
Ліва сторона	Скіс справа 45° Отримувана деталь буде знаходитись справа від диска	Скіс зліва 45° Отримувана деталь буде знаходитись справа від диска
Права сторона	Скіс зліва 45° Отримувана деталь буде знаходитись зліва від диска	Скіс справа 45° Отримувана деталь буде знаходитись зліва від диска

Спеціальні розрізи

Ніколи не розрізуйте матеріал, не виконавши фіксацію матеріалу до столу та до напрямної.

Зігнутий матеріал (Рис. T1, T2)

При різанні зігнутого матеріалу завжди розташуйте його так, як показано на рисунку T1, а не так, як показано на рисунку T2. Неправильне розташування матеріалу може призвести до заїдання диска практично в момент завершення різання.

Різання круглого матеріалу

Круглий матеріал слід міцно притиснути або закріпити до напрямної, щоб запобігти його скочуванню. Це особливо важливо при виконанні розрізів під кутом.

Різка великого матеріалу (Рис. U)

Час від часу вам може попастися шматок дерева, занадто великий, щоб розташувати його під нижнім захисним кожухом.

Для очищення кожуха від деревини, вимкнувши пилку і тримаючи праву руку на ручці управління, помістіть великий палець правої руки за межами верхньої частини кожуха і переверніть його так, щоб очистити від деревини (див. Рисунок U). Перед початком роботи двигуна відпустіть кожух. Захисний механізм буде працювати належним чином під час різання. Робіть це тільки при необхідності.

НІКОЛИ НЕ ПРИВ'ЯЗУЙТЕ, НЕ ПРИКЛЕЮЙТЕ ТА НЕ ФІКСУЙТЕ ЗАХИСНИЙ КОЖУХ ІНШИМ ЧИНОМ ПРИ РОБОТІ З ПИЛКОЮ.

Увага! Перед регулюванням або перевіркою роботи інструменту завжди перевіряйте, чи він вимкнений та від'єднаний від мережі.

Після використання

- ◆ Після використання протріть інструмент тканиною або аналогічним матеріалом від стружки і пилу, що до нього прилипилися.
- ◆ Слідкуйте за чистотою захисного кожуха диска відповідно до вказівок, наведених у пройденому раніше розділі.
- ◆ Змащуйте рухливі частини машинним маслом для запобігання утворення іржі.
- ◆ При зберіганні інструменту повністю відтягніть каретку на себе.

Перенесення інструменту

- ◆ Переконайтеся, що інструмент відключений від мережі.
- ◆ Закріпіть диск під кутом нахилу 0° і повністю поверніть підставку під прямим кутом скосу за допомогою стопорного гвинта повзунка (28).
- ◆ Закріпіть повзунки після повного витягування каретки.
- ◆ Повністю опустіть ручку і зафіксуйте її в цьому положенні, натиснувши на стопорний штифт ріжучої головки (17).
- ◆ Перенесіть інструмент, тримаючи його за ручку для перенесення (22).
- ◆ Якщо ви знімете затиск, пілозбірник тощо, перенесення інструменту стане простіше.
- ◆ Перенесіть інструмент, тримаючи його однією рукою за ручку для перенесення (22), а іншою — за підставку.

УВАГА! Перед транспортуванням інструменту завжди закріплюйте всі рухомі частини.

Стопорний штифт ріжучої головки (17) призначений для перенесення і зберігання, але не для виконання будь-яких операцій різання.

Пошук та усунення несправностей

Проблема	Можлива причина	Рішення
Двигун не запускається	Пилка не підключена до мережі.	Перевірте, чи всі шнури підключені до мережі.
Кут розрізу неточний	Скіс стола розблокований.	Скористайтесь важелем блокування скосу стола (див. розділ «Регулювання кута скосу столу»).
	Під столом занадто багато тирси.	Пропилюсьте або видуйте пил. Використовуйте засоби захисту очей.
Неможливо повністю підняти ріжучу головку або повністю закрити захисний кожух диска	Несправність деталей.	Зверніться до сервісного центру.
	Пружина шарніра була неправильно замінена після обслуговування.	Зверніться до сервісного центру.
	Накопичується тирса.	Очистіть та змастіть рухомі частини.
Диск заїдає, застряє або трясє	Стопорний штифт ріжучої головки встановлений неправильно.	Перевірте, відрегулюйте та встановіть стопорний штифт ріжучої головки правильно.
	Пильний диск пошкоджений.	Замініть диск.
	Невігострений диск.	Замініть або заточіть диск.
	Неправильний диск.	Замініть диск.
Пилка вібрує або трясеться	Деформований диск.	Замініть диск.
	Пильний диск ослаблений.	Замініть диск.
	Пильний диск пошкоджений.	Замініть диск.
	Пилка погано закріплена.	Закріпіть пилу на верстаті, підставці або столі.
	Заготовка не утримується належним чином.	Закріпіть або затисніть заготовку правильно.

Технічні дані

		BES700, тип 1	BES710, тип 1
Напруга	В	230	230
Швидкість	об./хв.	4800	5000
Зовнішній діаметр диска	мм	216	254
Діаметр отвору	мм	30	30
Маса	кг	12,1	14,9
Товщина диска	мм	1,8	1,8
Макс. ширина прорізу диска	мм	2,8	2,8
Макс. кут скосу	°	+/- 47	+/- 47
Макс. кут нахилу	°	47	47
Макс. ширина брусу при торцюванні під кутом 90°	мм	305	305
Макс. висота брусу при скосі 45°	мм	203	203
Макс. глибина різання під кутом 90°	мм	70	90
Макс. глибина різання під кутом 45°	мм	35	40

BES700 – Рівень звукового тиску згідно з EN 62841:

L_{pA} (звуковий тиск) 97,5 дБ(А), похибка (К) 3 дБ(А)

L_{WA} (звукова потужність) 108,0 дБ(А), похибка (К) 3 дБ(А)

BES710 – Рівень звукового тиску згідно з EN 62841:

L_{pA} (звуковий тиск) 96,0 дБ(А), похибка (К) 3 дБ(А)

L_{WA} (звукова потужність) 107,5 дБ(А), похибка (К) 3 дБ(А)

Захист навколишнього середовища



Роздільний збір. Пристрої та батареї, позначені цим символом, не можна викидати зі звичайним побутовим сміттям.

Пристрої та батареї містять матеріали, які можна відновити та переробити, що зменшить потребу у сировині.

Будь ласка, видавайте електричні інструменти та батареї на переробку відповідно до місцевих постанов.

Більш детальну інформацію можна отримати на сайті www.2helpU.com

Декларація про відповідність нормам ЄС ДИРЕКТИВА ДЛЯ МЕХАНІЧНОГО ОБЛАДНАННЯ



BES700, BES710 Розсувна комбінована торцювальна пилка

Компанія Black & Decker заявляє, що вироби, описані в розділі «Технічні дані» відповідають:
EN62841-1:2015, EN62841-3-9:2015+A11:2017

Ці продукти також відповідають Директиві 2006/42/ЄС, 2014/30/EU і 2011/65/EU.

Для отримання додаткової інформації, будь ласка, зверніться до компанії Black & Decker за наступною адресою або прочитайте інформацію на зворотній стороні цього посібника.

Особа, яка підписалася нижче, несе відповідальність за упорядкування файлу технічних характеристик та робить цю заяву від компанії Black & Decker.

А. Сміт (A. Smith)
Технічний директор
Black & Decker Europe, 210 Bath Road, Slough,
Berkshire, SL1 3YD
United Kingdom (Великобританія)
26/08/2019

Будь ласка, відвідайте наш сайт www.blackanddecker.co.uk, щоб зареєструвати свій новий продукт BLACK+DECKER та отримувати інформацію про нові продукти та спеціальні пропозиції.



Виробник:
"Stanley Black & Decker Deutschland
GmbH" Black-&-Decker Str.40, D-65510
Idstein, Німеччина

Гарантія

Компанія Black & Decker впевнена у якості своєї продукції та пропонує споживачам гарантію тривалістю 24 місяці з дати покупки. Ця гарантія доповнює і жодним чином не обмежує ваші законні права. Ця гарантія є чинною на території країн-членів Європейського Союзу та в європейській зоні вільної торгівлі.

Позив за гарантією повинен відповідати умовам компанії Black & Decker, при цьому вам необхідно буде надати доказ покупки продавцю або спеціалісту офіційного сервісного центру. Про умови дворічної гарантії компанії Black & Decker та місцезнаходження найближчого до вас сервісного центру можна дізнатися в інтернеті на сайті www.2helpU.com, або можна звернутися до місцевого представництва компанії Black & Decker за адресою, вказаною у цій інструкції.

УКРАЇНСЬКА



ГАРАНТІЙНИЙ ТАЛОН

2 РОКИ
ГАРАНТІЇ

1. Вітаємо Вас з покупкою високоякісного виробу Black+Decker і висловлюємо вдячність за Ваш вибір.
2. При покупці виробу вимагайте перевірки його комплектності і справності у Вашій присутності, інструкцію з експлуатації та заповнений гарантійний талон українською мовою. В гарантійному талоні повинні бути внесені: модель, дата продажу, серійний номер, дата виробництва інструменту, назва, печатка і підпис торгової організації. За відсутності у Вас правильно заповненого гарантійного талону, а також при невідповідності зазначених у ньому даних ми будемо змушені відхилити Ваші претензії щодо якості даного виробу.
3. Щоб уникнути непорозумінь, переконливо просимо Вас перед початком роботи з виробом уважно ознайомитися з інструкцією з його експлуатації. Правовою основою справжніх гарантійних умов є чинне Законодавство. Гарантійний термін на даний виріб складає 24 місяці і обчислюється з дня продажу. У разі усунення недоліків виробу, гарантійний строк продовжується на період його перебування в ремонті. Термін служби виробу становить 5 років з дня продажу.
4. У разі виникнення будь-яких проблем у процесі експлуатації виробу рекомендуємо Вам звертатися тільки в уповноважені сервісні центри Black+Decker, адреси та телефони яких Ви зможете знайти в гарантійному талоні, на сайті www.2helpU.com або дізнатися в магазині. Наші сервісні станції - це не тільки кваліфікований ремонт, але і широкий асортимент запчастин і аксесуарів.
5. Виробник рекомендує проводити періодичну перевірку і технічне обслуговування виробу в уповноважених сервісних центрах.
6. Наші гарантійні зобов'язання поширюються тільки на несправності, виявлені протягом гарантійного терміну і викликані дефектами виробництва та \ або матеріалів.
7. Гарантійні умови не поширюються на несправності виробу, що виникли в результаті:
 - 7.1. Недотримання користувачем приписів інструкції з експлуатації виробу, застосування виробу не за призначенням, неправильного зберігання, використання приладдя, витратних матеріалів і запчастин, що не передбачені виробником.
 - 7.2. Механічного пошкодження (відколи, тріщини і руйнування) внутрішніх і зовнішніх деталей виробу, основних і допоміжних рукояток, мережевого кабелю, що викликані зовнішнім ударним або будь-яким іншим впливом
 - 7.3. Потраплення у вентиляційні отвори та проникнення всередину виробу сторонніх предметів, матеріалів або речовин, що не є відходами, які супроводжують застосування виробу за призначенням, такими як: стружка, тирса, пісок, та ін.
 - 7.4. Впливу на виріб несприятливих атмосферних і інших зовнішніх факторів, таких як дощ, сніг, підвищена вологість, нагрівання, агресивні середовища, невідповідність параметрів електромережі, що зазначені на інструменті.
 - 7.5. Стихійного лиха. Пошкодження або втрати виробу, що пов'язані з непередбаченими лихами, стихійними явищами, у тому числі внаслідок дії непереборної сили (пожежа, блискавка, потоп і інші природні явища), а також внаслідок перепадів напруги в електромережі та іншими причинами, які знаходяться поза контролем виробника.
8. Гарантійні умови не поширюються:
 - 8.1. На інструменти, що піддавались розкриттю, ремонту або модифікації поза уповноваженим сервісним центром.
 - 8.2. На деталі, вузли та матеріали, що мають сліди природного зносу, такі як: приводні ремені і колеса, вугільні щітки, мастило, підшипники, зубчасті зчеплення редукторів, гумові ущільнення, сальники, направляючі ролики, муфти, вимикачі, бойки, штовхачі, стволы тощо.
 - 8.3. На змінні частини: патрони, цанги, затискні гайки і фланці, фільтри, ножі, шліфувальні підшви, ланцюги, зірочки, пильні шини, захисні кожухи, пилки, абразиви, пильні і абразивні диски, фрези, свердла, бури тощо
 - 8.4. На несправності, що виникли в результаті перевантаження інструменту (як механічного, так і електричного), що спричинили вихід з ладу одночасно двох і більше деталей і вузлів, таких як: ротора і статора, обох обмоток статора, веденої і ведучої шестерень редуктора або інших вузлів і деталей. До безумовних ознак перевантаження виробу відносяться, крім інших: поява кольорів мінливості, деформація або опалення деталей і вузлів виробу, потемніння або обуглювання ізоляції проводів електродвигуна під впливом високої температури.

Товар отриманий в справному стані, без видимих ушкоджень, в повній комплектації, перевірений у моєї присутності, претензій щодо якості товару не маю. З умовами гарантійного обслуговування ознайомлений і згоден.

П. І. Б. та підпис власника _____

Шановні клієнти, наша мережа авторизованих сервісних центрів постійно розширюється. Актуальну інформацію про обслуговування в місті, що цікавить вас, ви можете дізнатися на сайті

www.2helpU.com

Інформація про інструмент

Найменування інструменту	
Модель	
Найменування продавця	
Дата продажу	

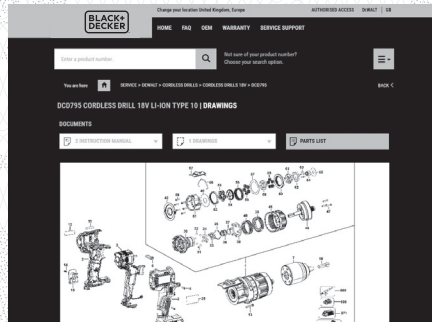
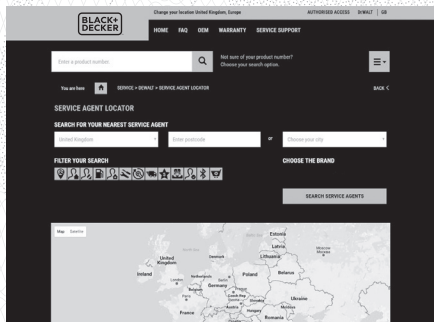
М.П.
Продавця

Серійний номер/Дата виробництва

Інструмент	
Зарядний пристрій	
Акумулятор 1	
Акумулятор 2	

На сайті www.2helpU.com доступні наступні функції:

- Список авторизованих сервісних центрів
- Зручний пошук найближчого сервісного центру
- Керівництво з експлуатації
- Технічні характеристики
- Список деталей і запасних частин
- Схема складання інструменту



Також дану інформацію ви можете отримати, зателефонувавши за номером: 0 (800) 211 521 в Україні

ВІДМІТКА ПРО ПРОВЕДЕННЯ СЕРВІСНОГО ОБСЛУГОВУВАННЯ

№1	№2	№3	№4
№ замовлення	№ замовлення	№ замовлення	№ замовлення
Дата прийому	Дата прийому	Дата прийому	Дата прийому
Дата ремонту	Дата ремонту	Дата ремонту	Дата ремонту
Печатка і підпис сервісного центру	Печатка і підпис сервісного центру	Печатка і підпис сервісного центру	Печатка і підпис сервісного центру