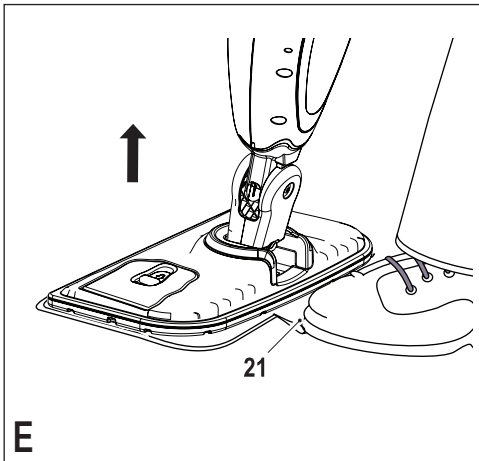
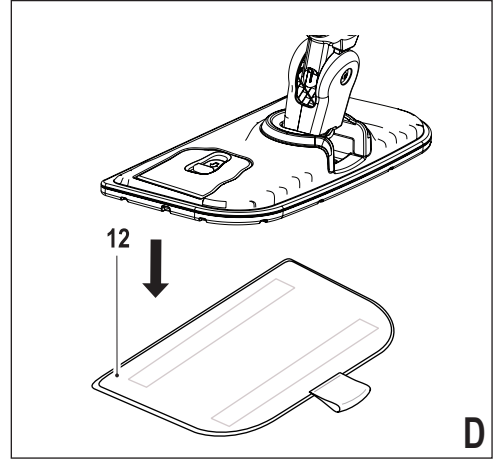
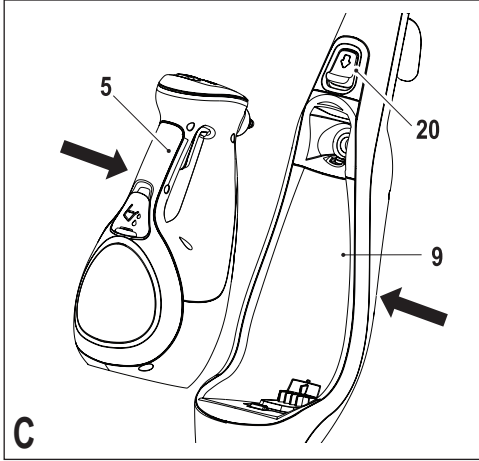
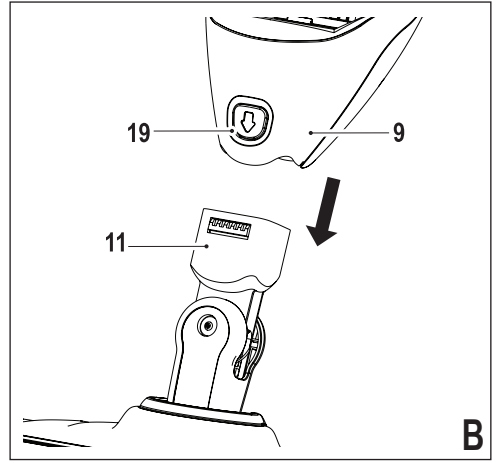
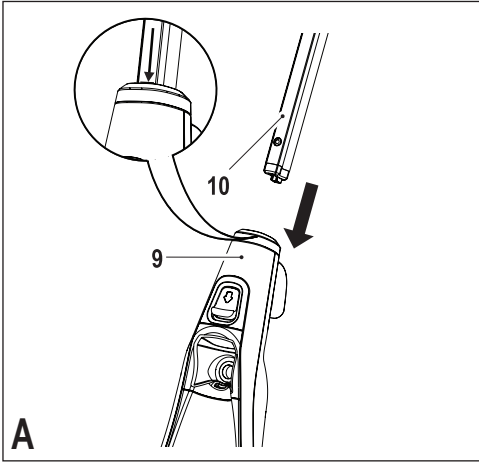
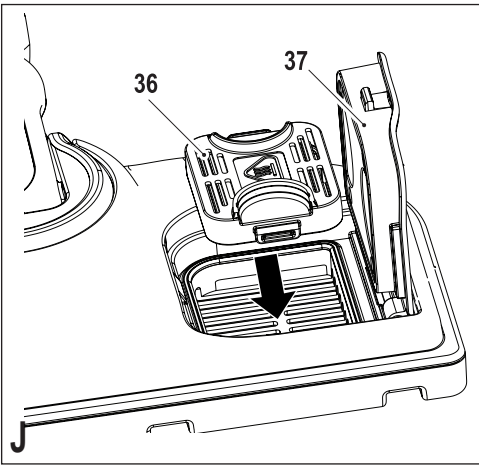
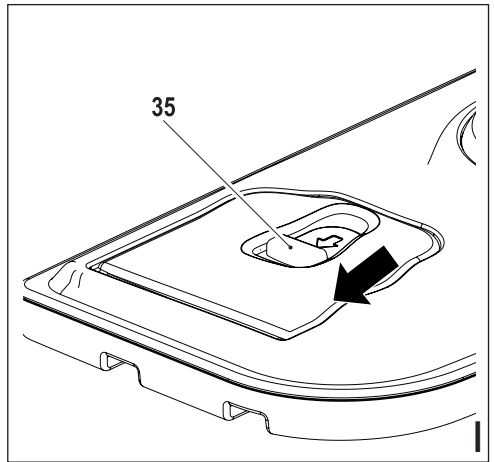
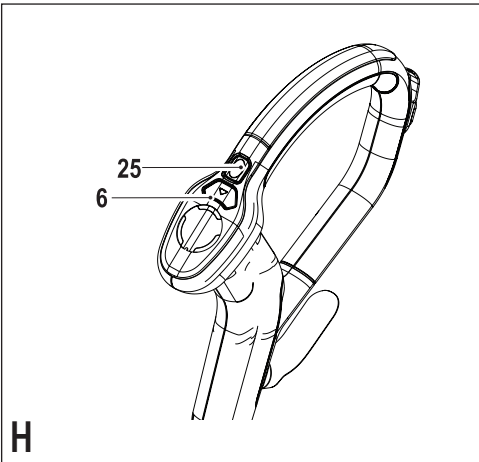
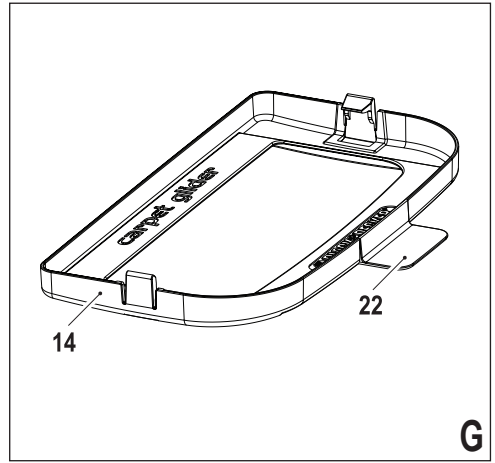
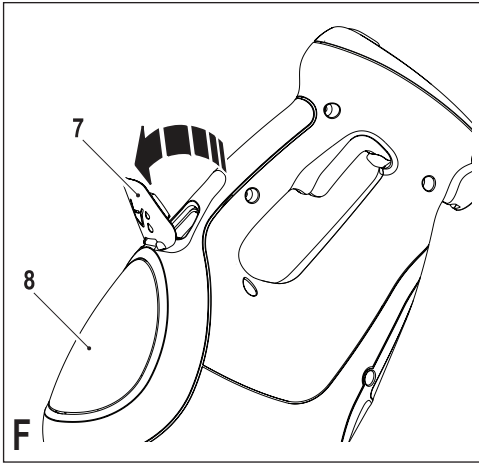
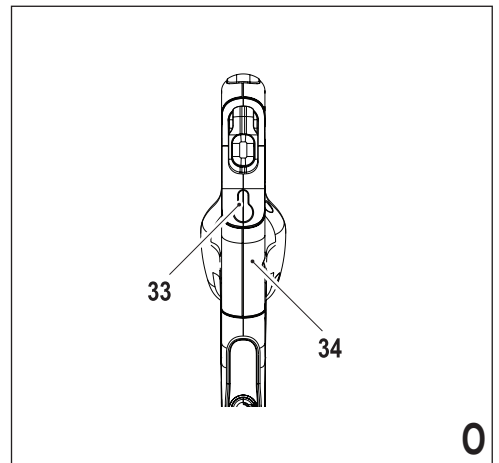
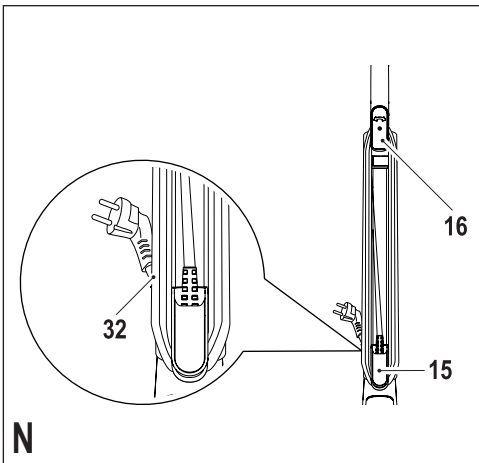
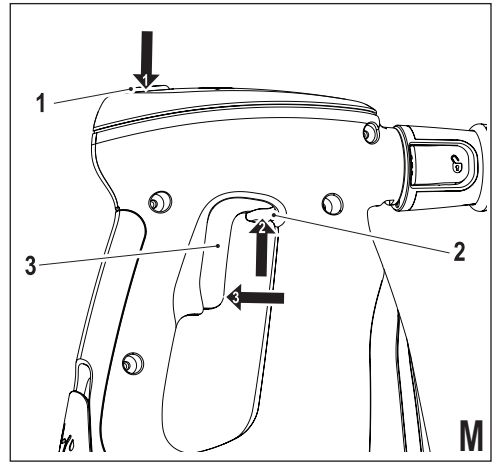
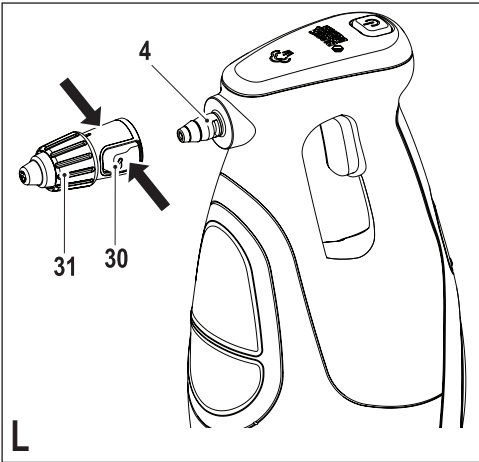
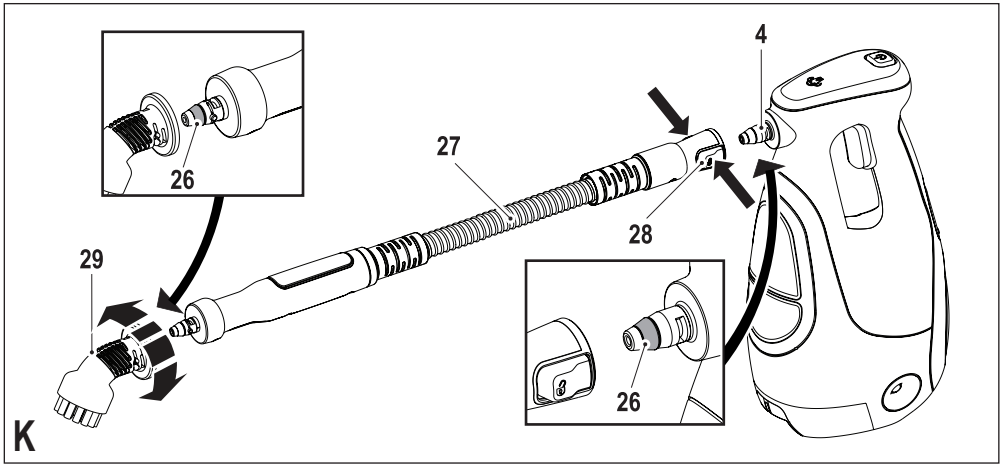


www.blackanddecker.co.uk

FSMH1621S
FSMH16151







Intended use

Your BLACK+DECKER steam mop has been designed for sanitising and cleaning sealed hardwood, sealed laminate, linoleum, vinyl, ceramic tile, stone and marble floors and for refreshing carpets. This appliance is intended for indoor household use only.



Warning! Read all of the 'Safety, Maintenance, Service' manual carefully before operating this appliance.

Read all of this manual carefully before operating the appliance.

Features

This appliance includes some or all of the following features.

1. ON/Off switch
2. Lock off button
3. Trigger switch
4. Steam nozzle
5. Hand held steam cleaner
6. Autoselect™ button
7. Filler cap
8. Water tank
9. Steam mop body
10. Handle
11. Steam head
12. Steam head cleaning pad
14. Carpet glider
15. Bottom cable tidy hook
16. Top cable tidy hook
17. Cable management clip

Assembly

Warning! Before attempting any of the following operations, make sure that the appliance is switched off and unplugged and that the appliance is cold and does not contain any water.

Attaching the handle (Fig. A)

- ◆ Slide the bottom end of the handle (10) into the top end of the steam mop body (9) until it clicks into place. The arrow on the handle (10) should be aligned with the top of the steam mop body (9).

Attaching the steam head (Fig. B)

- ◆ Slide the bottom end of the steam mop body (9) onto the steam head (11) until it clicks into place.
- ◆ The steam head can be removed from the Steam mop body by pressing the steam head release button (19) and pulling the steam mop body (9) off the steam head (11).

Attaching the hand held steam cleaner (Fig. C)

- ◆ Holding the back of the steam mop body (9) Push the hand held steam cleaner (5) firmly into the steam mop body (9) until it clicks into place.

Caution! Always ensure the handle command lights up to confirm the unit is docked.

Warning! Inspect that the seal (26 Fig. J) on the steam nozzle (4) before fitting the hand held steam mop to the steam mop body. If the seal is missing or damaged then please contact your nearest authorised repair agent. Do not use the appliance.

Removing the hand held steam cleaner (Fig. C)

- ◆ Push the release button (20) down and pull the hand held steam cleaner (5) away from the steam mop body

Attaching a cleaning pad (Fig. D)

Replacement cleaning pads are available from your BLACK+DECKER dealer:

Steam head cleaning pad (12) - cat. no. FSMP20-XJ).

- ◆ Place a cleaning pad (12) on the floor with the 'hook & loop' side facing up.
- ◆ Lightly press the steam mop down onto the cleaning pad (12).

Caution! Always place your steam mop with the handle (10) in the upright position when stationary and make sure the steam mop is turned off when not in use.

Removing a cleaning pad (Fig. E)

Caution! Always wear suitable shoes when changing the cleaning pad on your steam mop. Do not wear slippers or open toed footwear.

- ◆ Return the handle (10) to the upright position and turn the steam mop 'OFF'.
- ◆ Wait until the steam mop cools down. (approximately five minutes)
- ◆ Place the front of your shoe onto the cleaning pad removal tab (21) and press down firmly.
- ◆ Lift the steam mop up off the cleaning pad.

Caution! Always place your steam mop with the handle (10) in the upright position when stationary and make sure the steam mop is turned off when not in use.

Filling the water tank (Fig. F)

This Steam cleaner incorporates an anti-calc system to help prolong the life of the system.

Note: Fill the water tank with clean tap water.

Note: In areas of very hard water, the use of de-ionised water is recommended.

- ◆ Open the filler cap (7) by flipping it down.
- ◆ Fill the water tank (8) with water.

Warning! Your water tank has a 0.36 litre capacity.

- ◆ Re-fit the filler cap (7).

Note: Ensure the filler cap is firmly secured.

Note: Do not use chemical cleaners with your steam mop..

Attaching the carpet glider (Fig. G) (For use on carpets only)

- ◆ Place carpet glider on the floor.
- ◆ Attach a cleaning pad to the unit.
- ◆ Lightly press the steam mop down onto the carpet glider (14) until it clicks into place.

Caution! Always place your steam mop with the handle (10) in the upright position when stationary and make sure the steam mop is turned off when not in use.

Removing the carpet glider (Fig. G)

Caution! Always wear suitable shoes when changing the carpet glider on your steam mop. Do not wear slippers or open toed footwear.

- ◆ Return the handle (10) to the upright position and turn the steam mop 'OFF'.
- ◆ Wait until the steam mop cools down. (approximately five minutes)
- ◆ Place the front of your shoe onto the carpet glider removal tab (22) and press down firmly.
- ◆ Lift the steam mop up off the carpet glider (14).

Caution! Always place your steam mop with the handle (10) in the upright position when stationary and make sure the steam mop is turned off when not in use.

Fitting a scent pack (Fig. I & J)

Warning! Return the handle (10) to the upright position and turn the steam mop 'OFF'. Wait until the steam mop cools down. (approximately five minutes).

- ◆ Slide the door release button (35), the door will open.
- ◆ Place the scent pack into the cavity (36).
- ◆ Close the door (37) by pushing it firmly down.

Attaching the hose and accessories to the Hand held steam cleaner (Fig. K & L)

Warning! Inspect the seal (26) on the steam nozzle (4) and hose (27) before each use. If the seal is missing or damaged then please contact your nearest authorised repair agent. Do not use the appliance.

Attaching the hose (Fig. K)

- ◆ Press in the clips (28) on either side of the hose (27).
- ◆ Press the hose (27) onto the steam nozzle (4) and release the clips (28).

Important! Ensure that the hose (27) is securely fastened before using the hand held steam cleaner. If steam escapes from the joint then the hose is not correctly fit, allow the unit to cool then remove and re-fit the hose.

Attaching the variable steam jet nozzle (Fig. L)

- ◆ Press in the clips (30) on either side of the variable steam jet nozzle (31).
- ◆ Press the variable steam jet nozzle onto the steam nozzle (4) or the hose (27) and release the clips (30).

Important! Ensure that the variable steam jet nozzle (31) is securely fastened before using the hand held steam cleaner. If steam escapes from the joint then the variable steam jet nozzle is not correctly fit, allow the unit to cool then remove and re-fit the variable steam jet nozzle.

Attaching other accessories (Fig. J)

- ◆ Align the lugs on the hose with the recesses on the accessory.
- ◆ Press the accessory (29) onto the hose (27) and twist anti-clockwise until the accessory clicks into place.

Note! The variable steam jet nozzle may be used without the hose by fitting them directly to steam nozzle. All other accessories must be connected to the hose for use.

Removing the hose and accessories (Fig. K & L)

Warning! The Steam nozzle, variable steam jet nozzle, hose and accessories become hot during use. Allow the unit and all accessories to cool before removing any accessories.

Removing an accessory (Fig. K)

- ◆ Twist the accessory (29) clockwise then pull away from the hose (27).

Removing the hose (Fig. K)

- ◆ Press in the clips (29) on either side of the hose (27) and pull away from the steam nozzle (4).

Removing the variable steam jet nozzle (Fig. L)

- ◆ Press in the clips (30) on either side of the variable steam jet nozzle (31) and pull away from the steam nozzle (4).

Use

Important! This unit will kill 99.9% of bacteria & germs when used in accordance with this manual and with the micro fibre pad fitted and a continuous run time of 90 seconds.

Switching on and off (Steam mop)

- ◆ To switch the appliance on, press the ON/OFF button (1). It takes approximately 15 seconds for the steam mop to heat up.

Note: When the steam mop is first turned on the water reservoir will glow red. Once the steam mop is ready to use the water reservoir will glow blue.

- ◆ To switch the appliance off, press the ON/OFF button (1).

Caution! Never leave the steam mop in one spot on any surface for any period of time. Always place the steam mop with the handle (10) in the upright position when stationary and make sure the steam mop is turned off when not in use.

Caution! Always empty the steam mop after use.

Note: When first filled or after running dry it can take up to 45 seconds for steam to be produced.

Autoselect™ Technology (Fig. I)

This steam mop is fitted with an Autoselect™ button (6) which shows various cleaning applications. They are used to select the correct operating mode for your particular cleaning operation.

Using Autoselect™, choose from one of the following applications by pressing the autoselect button (6) until the required setting is selected:

	Wood/Laminate
	Stone/Marble
	Tiles/Vinyl

The steam mop will select the correct volume of steam required for your particular cleaning operation.

Note: Always check you are using the correct setting before using your steam mop. For convenience the steam mop will remember the last setting you chose.

Steam burst (Fig. I)

The steam mop is equipped with a steam burst button to aid in the removal of stubborn marks and stains.

- ◆ During use, press the steam burst button (25) to apply extra cleaning power.

Note: The steam burst will last for 10 seconds then the steam mop will return to the chosen setting.

Switching on and off (Hand held steam cleaner) (Fig. M)

- ◆ To switch the appliance on, press the ON/OFF button (1). It takes approximately 15 seconds for the hand held steam cleaner to heat up.

Note: When the hand held steam cleaner is first turned on the water reservoir will glow red. Once the hand held steam cleaner is ready to use the water reservoir will glow blue.

- ◆ Lift the lock off switch (2) and pull the trigger switch (3). After a few seconds steam will be produced.
- ◆ To switch the appliance off, release the trigger switch (3) then press the ON/OFF button (1).

Caution! Always empty the hand held steam cleaner after use.

Caution! Steam may continue to be produced for a short time after the trigger switch (3) is released, this is normal. Switch off and allow the unit to cool before removing any accessories.

Hints for optimum use

General

Caution! Never use the steam mop without first attaching a cleaning pad.

- ◆ During steam mop use you can use the cable management clip (17) to keep your cable out of the way of the work area..
- ◆ Always vacuum or sweep the floor before using the steam mop.
- ◆ The easiest way to use the machine is to tilt the handle to a 45° angle and clean slowly, covering a small area at a time.
- ◆ Do not use chemical cleaners with your steam mop. To remove stubborn stains from vinyl or linoleum floors, you can use the steam burst button to apply extra steam to the area or pre-treat with a mild detergent and some water before using the steam mop.

Steam cleaning with the mop

- ◆ Fit hand held steam cleaner (5) to the steam mop body (9).
- ◆ Place a cleaning pad (12) on the floor with the 'hook & loop' side facing up.
- ◆ Lightly press the steam mop down onto the cleaning pad (12).
- ◆ Connect the steam mop to the mains.
- ◆ Press the ON/OFF button (1). It takes approximately 15 seconds for the steam mop to heat up.
- ◆ Press the Autoselect™ button (6) till the required setting is reached.
- ◆ Pulling the handle (10) back will activate the steam pump. After a few seconds steam will start to come out of the steam head.

Note: When first filled or after running dry it can take up to 45 seconds for steam to be produced.

- ◆ It takes a few seconds for steam to enter the cleaning pad. The steam mop will now glide easily over the surface to be sanitised/cleaned.
- ◆ Push and pull the steam mop slowly across the floor to thoroughly steam clean each section.

Note: During use you may turn off the steam pump by returning the handle to the upright position, this convenient feature will allow you to leave the steam mop for a short time so that you may move items of furniture, then continue cleaning without the need to switch the appliance off.

- ◆ When you have finished using the steam mop, return the handle (10) to the upright position and turn it 'OFF' and wait until the steam mop cools down. (approximately five minutes)

Caution! It is important to monitor the water level in the water tank. To refill the water tank and continue to sanitise/clean, return the handle (10) to the upright position and turn the steam mop 'OFF'. Unplug the unit from the electrical wall outlet, refill the water tank (8).

Caution! Never leave the steam mop in one spot on any surface for any period of time. Always place the steam mop with the handle (10) in the upright position when stationary and make sure the steam mop is turned off when not in use.

Carpet refreshing

- ◆ Place a cleaning pad (12) on the floor with the 'hook & loop' side facing up.
- ◆ Lightly press the steam mop down onto the cleaning pad (12).
- ◆ Place the carpet glider (14) on the floor.
- ◆ Lightly press the steam mop down onto the carpet glider (14) until it clicks into place.
- ◆ Connect the steam mop to the mains.
- ◆ Press the ON/OFF button (1). It takes approximately 15 seconds for the steam mop to heat up.
- ◆ Press the Autoselect™ button (6) to the Wood/Laminate setting.
- ◆ Pulling the handle (10) back will activate the steam pump. After a few seconds steam will start to come out of the steam head.

Note: When first filled or after running dry it can take up to 45 seconds for steam to be produced.

- ◆ Push and pull the steam mop slowly across the carpet to thoroughly refresh each section.

Note: During use you may turn off the steam pump by returning the handle to the upright position, this convenient feature will allow you to leave the steam mop for a short time so that you may move items of furniture, then continue cleaning without the need to switch the appliance off.

- ◆ When you have finished using the steam mop, return the handle (10) to the upright position and turn it 'OFF' and wait until the steam mop cools down. (approximately five minutes)

Caution! If steam is observed escaping from the joint between the hand held steam cleaner and the steam mop body, switch off and disconnect the unit from the mains supply. Allow to cool. Remove the hand held steam cleaner from the steam mop body. Inspect the seal (26) on the steam nozzle (4) and hose (27) (fig. K). If the seal is missing or damaged then please contact your nearest authorised repair agent. Do not use the appliance. If the seal is in good condition re-fit the hand held steam cleaner to the steam mop body ensuring that it is seated firmly in place.

Caution! It is important to monitor the water level in the water tank. To refill the water tank and continue to sanitise/clean, return the handle (10) to the upright position and turn the steam mop 'OFF'. Unplug the unit from the electrical wall outlet, refill the water tank (8).

Caution! Never leave the steam mop in one spot on any surface for any period of time. Always place the steam mop with the handle (10) in the upright position when stationary and make sure the steam mop is turned off when not in use.

After use (Fig. N & O)

- ◆ Return the handle (10) to the upright position and turn the steam mop 'OFF',
- ◆ Wait until the steam mop cools down. (approximately five minutes)
- ◆ Unplug the steam mop from the electrical wall outlet.
- ◆ Empty the water tank (8).
- ◆ Remove the cleaning pad (12) and wash it ready for next use. (Take care to follow the wash care instructions printed on the cleaning pad).
- ◆ Wrap the supply cable around the cable tidy hooks (15 & 16).

Note: The top cable tidy hook (16) rotates to easily release the cable ready for next use.

- ◆ Clip the supply cable onto itself using the cable tidy clip (32) close to the plug.

Note: With the handle (10) in the upright position, the cable neatly wrapped around the cable tidy hooks (15 & 16) and secured with the cable tidy clip (32) your steam mop will stand on its own for storage. Alternatively there is a hanging bracket (33) built into the hand grip (34) which will allow your steam mop to be hung from a suitable hook on the wall. Always ensure that your wall hook is capable of supporting the weight of the steam mop safely.

Hand held steam cleaning

- ◆ Attach the required accessory.
- ◆ Connect the hand held steam cleaner to the mains.
- ◆ Press the ON/OFF button (1). It takes approximately 15 seconds for the hand held steam cleaner to heat up.
- ◆ Lift the lock off (2) and pull the trigger switch (3) to activate the steam pump. After a few seconds steam will start to come out of the accessory.

Note: When first filled or after running dry it can take up to 45 seconds for steam to be produced.

Note: During use you may turn off the steam pump by releasing the trigger switch, this convenient feature will allow you to place the hand held steam cleaner down for a short time so that you may move items of furniture, then continue cleaning without the need to switch the appliance off.

- ◆ When you have finished using the hand held steam cleaner, release the trigger switch (3), turn it 'OFF' and disconnect from the mains supply. Wait until the steam mop cools down before storing. (approximately five minutes)

Caution! It is important to monitor the water level in the water tank. To refill the water tank and continue to sanitise/clean, turn the hand held steam cleaner 'OFF'. Unplug the unit from the electrical wall outlet, refill the water tank (8).

Caution! Steam may continue to be produced for a short time after the trigger switch (3) is released, this is normal. Switch off and allow the unit to cool before removing any accessories.

Accessories

The performance of your appliance depends on the accessory used. BLACK+DECKER accessories are engineered to high quality standards and designed to enhance the performance of your appliance. By using these accessories you will get the very best from your appliance.

Technical data

		FSMH1621S (Type 1)	FSMH16151 (Type 1)
Voltage	V _{ac}	230	230
Power	W	1600	1600
Tank capacity	ml	350	350
Weight	kg	3.6	3.6

Troubleshooting

If your appliance seems not to operate properly, follow the instructions below. If this does not solve the problem, please contact your local BLACK+DECKER repair agent.

Problem	Step	Possible solutions
The steam mop is not turning on.	1	Check the unit is plugged in at the wall socket.
	2	Check the unit is switched on using the on/off switch (1).
	3	Check the fuse in the plug.

Problem	Step	Possible solutions
The digital controls do not light up.	4	Check that the handle (10) of the steam mop is pushed firmly into the steam mop body (9). Check that the arrow on the handle is flush with the top of the steam mop body (9).
	5	Check that the hand held steam cleaner (5) is firmly docked into the steam mop body (9).
	6	Check steps 1, then 2, then 3.
The steam mop is not producing steam.	7	The steam mop will only produce steam once the handle is pulled back from the upright position.
	8	Check that the water tank (8) is full. NOTE: When first filled or after running dry it can take up to 45 seconds for steam to be produced.
	9	Check that the Steam head (11) is firmly docked into the steam mop body (9).
	10	Check steps 5, then 1, then 2, then 3.
The digital controls go out during use.	11	Check steps 4, then 5, then 1, then 2, then 3
The steam mop stops producing steam during use.	12	Check steps 7, then 8, then 9, then 5, then 3.
The steam mop is producing too much steam during use.	13	The steam mop has 3 settings. Press the autoselect button (6) to reduce the amount of steam being produced.
	14	Check that the steam burst button (25) has not been pressed.
The steam mop is producing too little steam during use.	15	The steam mop has 3 settings. Press the autoselect button (6) to increase the amount of steam being produced.
	16	Press the steam burst button (25) to temporarily increase the amount of steam.
No steam is being produced from the hand held steam cleaner when the trigger is pulled.	17	The hand held steam cleaner has a lock off feature. Lift the lock off switch (2) and pull the trigger switch (3). After a few seconds steam will be produced.
	18	Check steps 8, then 1, then 2, then 3.
The hand held steam cleaner is producing too little steam during use.	19	The hand held steam cleaner will begin to produce steam after 15 seconds and will reach maximum steam flow after 45 seconds.
The hand held steam cleaner will not come out from the steam mop body.	20	Firmly press the hand held steam cleaner release button (20) down, then pull the hand held steam (5) cleaner from the steam mop body (9).

Problem	Step	Possible solutions
The accessories keep falling off the unit.	21	Refer to the assembly chapter of the manual for correct fitting instructions of all parts and accessories.
Steam is escaping from unexpected areas of the unit.	22	Refer to the assembly chapter of the manual for correct fitting instructions of all parts and accessories.
Where can I get further information / accessories for my steam mop.	23	www.blackanddecker.co.uk/steammop www.blackanddecker.ie/steammop

Australia	Black & Decker (Australia) Pty. Ltd. 20 Fletcher Road, Mooroolbark, Victoria, 3138	Tel. Fax	03-8720 5100 03-9727 5940
New Zealand	Black & Decker 5 Te Apunga Place Mt Wellington Auckland 1060	Tel. Fax	+64 9 259 1133 +64 9 259 1122
United Kingdom & Republic Of Ireland www.blackanddecker.co.uk emeaservice@sbdinc.com	Black & Decker 210 Bath Road Slough, Berkshire SL1 3YD	Tel. Fax	01753 511234 01753 512365
