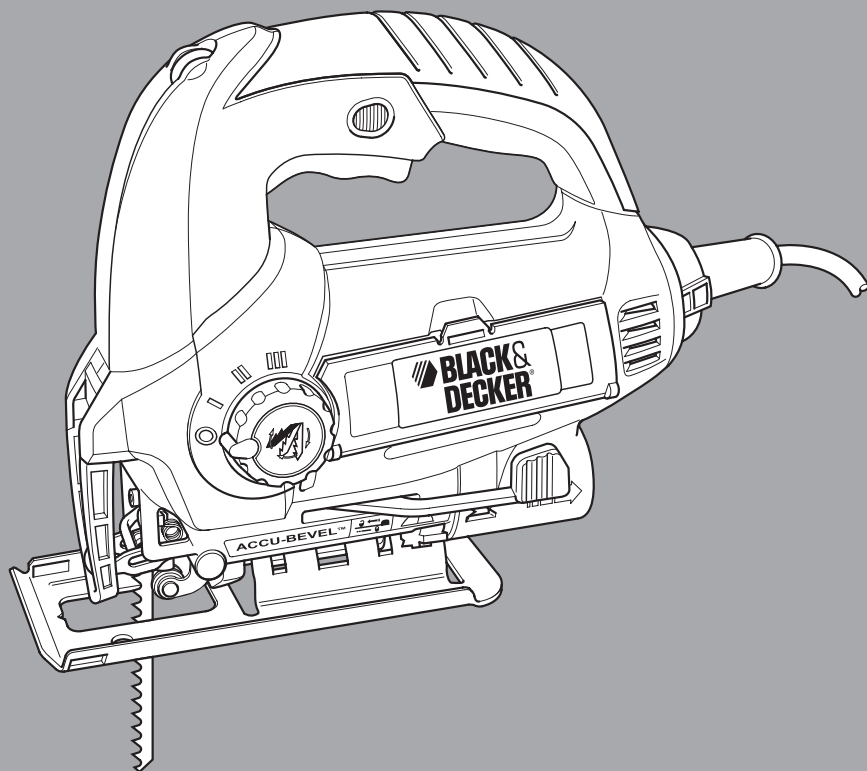
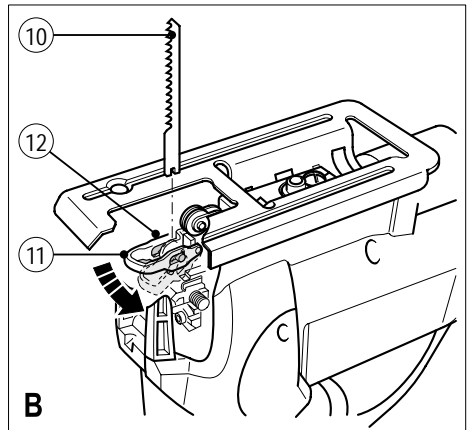
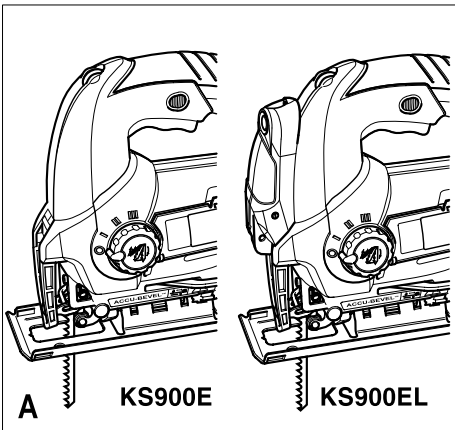
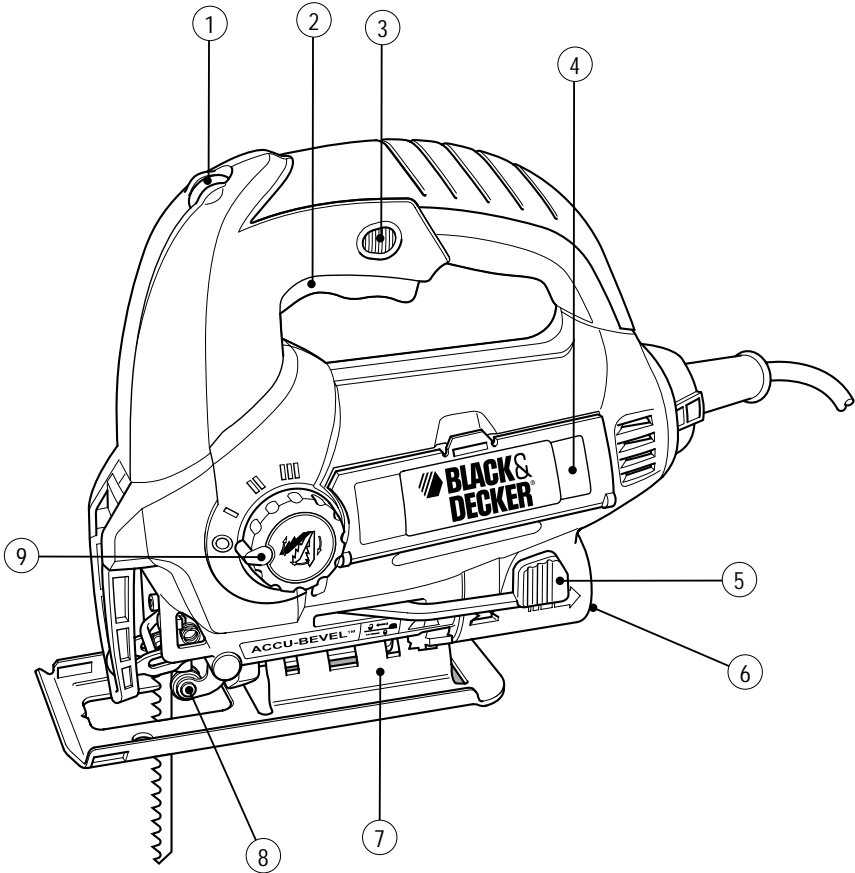


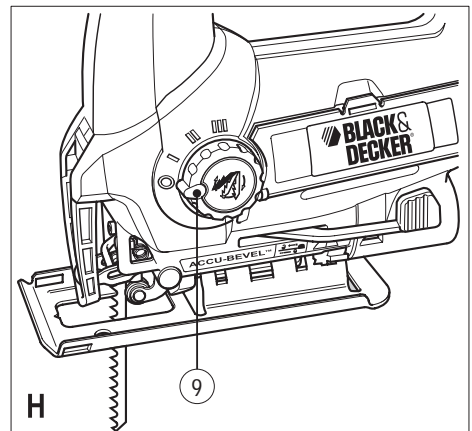
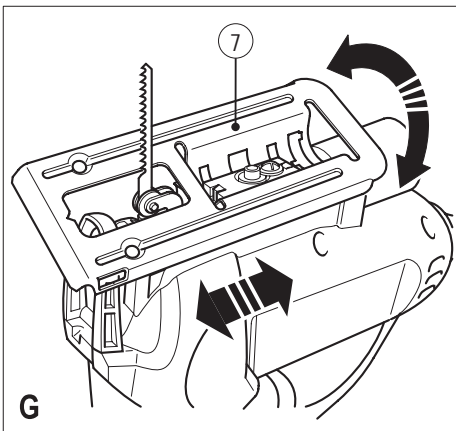
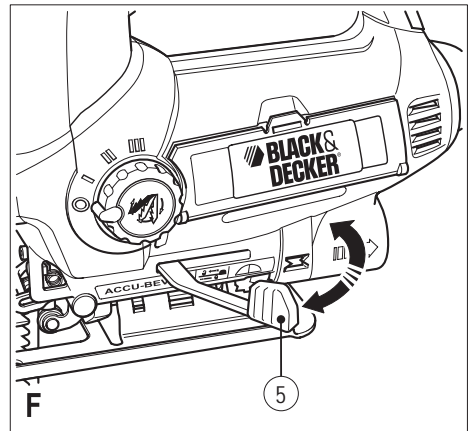
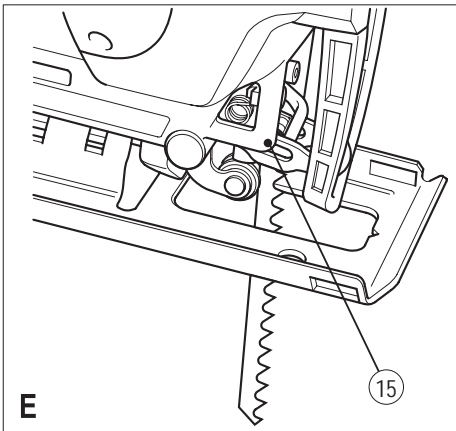
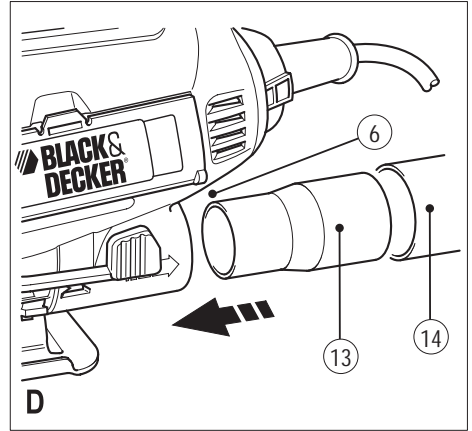
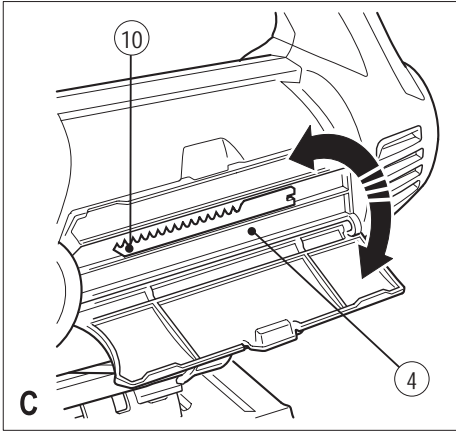
 **BLACK & DECKER®**

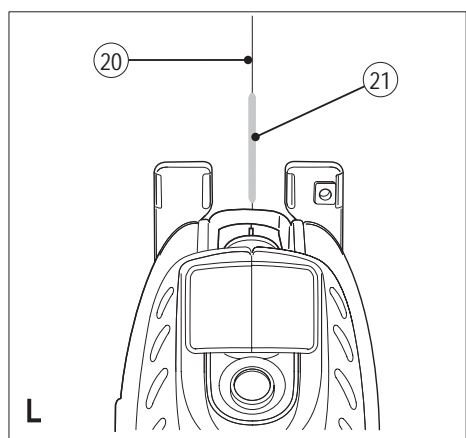
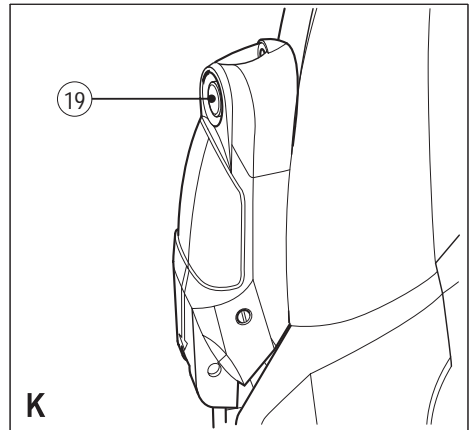
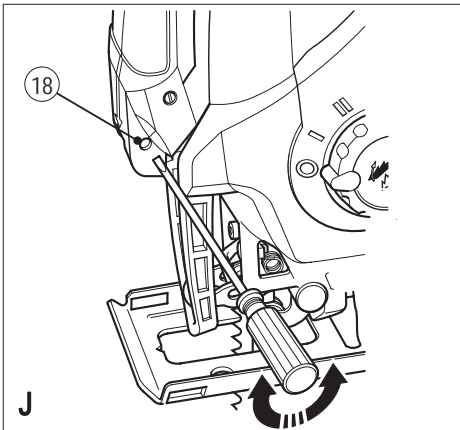
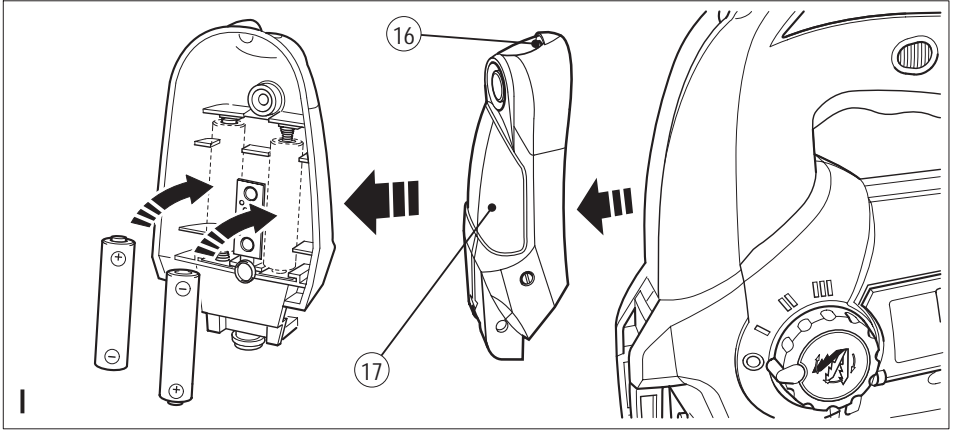


[www.blackanddecker.ae](http://www.blackanddecker.ae)

KS900E  
KS900EL







## Intended use

Your Black & Decker jigsaw has been designed for sawing wood, plastics and metal. This tool is intended for consumer use only.

## Safety instructions

### General power tool safety warnings



**Warning!** Read all safety warnings and all instructions. Failure to follow all instructions may result in electric shock, fire and/or serious injury.

### Save all warnings and instructions for future reference.

The term "power tool" in all of the warnings listed below refers to your mains operated (corded) power tool or battery operated (cordless) power tool.

#### 1. Work area safety

- a. Keep work area clean and well lit. Cluttered and dark areas invite accidents.
- b. Do not operate power tools in explosive atmospheres, such as in the presence of flammable liquids, gases or dust. Power tools create sparks which may ignite the dust or fumes.
- c. Keep children and bystanders away while operating a power tool. Distractions can cause you to lose control.

#### 2. Electrical safety

- a. Power tool plugs must match the outlet. Never modify the plug in any way. Do not use any adapter plugs with earthed (grounded) power tools. Unmodified plugs and matching outlets will reduce risk of electric shock.
- b. Avoid body contact with earthed or grounded surfaces such as pipes, radiators, ranges and refrigerators. There is an increased risk of electric shock if your body is earthed or grounded.

- c. Do not expose power tools to rain or wet conditions. Water entering a power tool will increase the risk of electric shock.
- d. Do not abuse the cord. Never use the cord for carrying, pulling or unplugging the power tool. Keep cord away from heat, oil, sharp edges or moving parts. Damaged or entangled cords increase the risk of electric shock.
- e. When operating a power tool outdoors, use an extension cord suitable for outdoor use. Use of a cord suitable for outdoor use reduces the risk of electric shock.
- f. If operating a power tool in a damp location is unavoidable, use a Residual Current Device (RCD) protected supply. Use of an RCD reduces the risk of electric shock.

#### 3. Personal safety

- a. Stay alert, watch what you are doing and use common sense when operating a power tool. Do not use a power tool while you are tired or under the influence of drugs, alcohol or medication. A moment of inattention while operating power tools may result in serious personal injury.
- b. Use personal protective equipment. Always wear eye protection. Protective equipment such as dust mask, non-skid safety shoes, hard hat, or hearing protection used for appropriate conditions will reduce personal injuries.
- c. Prevent unintentional starting. Ensure the switch is in the off-position before connecting to power source and/or battery pack, picking up or carrying the tool. Carrying power tools with your finger on the switch or energising power tools that have the switch on invites accidents.

- d. Remove any adjusting key or wrench before turning the power tool on. A wrench or a key left attached to a rotating part of the power tool may result in personal injury.
- e. Do not overreach. Keep proper footing and balance at all times. This enables better control of the power tool in unexpected situations.
- f. Dress properly. Do not wear loose clothing or jewellery. Keep your hair, clothing and gloves away from moving parts. Loose clothes, jewellery or long hair can be caught in moving parts.
- g. If devices are provided for the connection of dust extraction and collection facilities, ensure these are connected and properly used. Use of these devices can reduce dust related hazards.
- e. Maintain power tools. Check for misalignment or binding of moving parts, breakage of parts and any other condition that may affect the power tools operation. If damaged, have the power tool repaired before use. Many accidents are caused by poorly maintained power tools.
- f. Keep cutting tools sharp and clean. Properly maintained cutting tools with sharp cutting edges are less likely to bind and are easier to control.
- g. Use the power tool, accessories and tool bits etc. in accordance with these instructions, taking into account the working conditions and the work to be performed. Use of the power tool for operations different from those intended could result in a hazardous situation.

#### 4. Power tool use and care

- a. Do not force the power tool. Use the correct power tool for your application. The correct power tool will do the job better and safer at the rate for which it was designed.
- b. Do not use the power tool if the switch does not turn it on and off. Any power tool that cannot be controlled with the switch is dangerous and must be repaired.
- c. Disconnect the plug from the power source and/or the battery pack from the power tool before making any adjustments, changing accessories, or storing power tools. Such preventive safety measures reduce the risk of starting the power tool accidentally.
- d. Store idle power tools out of the reach of children and do not allow persons unfamiliar with the power tool or these instructions to operate the power tool. Power tools are dangerous in the hands of untrained users.

#### 5. Service

- a. Have your power tool serviced by a qualified repair person using only identical replacement parts. This will make sure that the safety of the power tool is maintained.

### Additional power tool safety warnings



**Warning!** Additional safety warnings for jigsaws.

- Hold power tool by insulated gripping surfaces, when performing an operation where the cutting accessory may contact hidden wiring or its own cord. Cutting accessory contacting a "live" wire may make exposed metal parts of the power tool "live" and could give the operator an electric shock.
- Use clamps or another practical way to secure and support the workpiece to a stable platform. Holding the work by hand or against your body leaves it unstable and may lead to loss of control.

- Keep hands away from cutting area. Never reach underneath the work piece any reason. Do not insert fingers or thumb into the vicinity of the reciprocating blade and blade clamp. Do not stabilize the saw by gripping the shoe.
- Keep blades sharp. Dull or damaged blades may cause the saw to swerve or stall under pressure. Always use the appropriate type of saw blade for the workpiece material and type of cut.
- When cutting pipe or conduit, make sure that they are free from water, electrical wiring, etc.
- Do not touch the workpiece or the blade immediately after operating the tool. They can become very hot.
- Be aware of hidden hazards, before cutting into walls, floors or ceilings, check for the location of wiring and pipes.
- The blade will continue to move after releasing the switch. Always switch the tool off and wait for the saw blade to come to a complete standstill before putting the tool down.

**Warning!** Contact with, or inhalation of dusts arising from cutting applications may endanger the health of the operator and possible bystanders. Wear a dust mask specifically designed for protection against dust and fumes and ensure that persons within or entering the work area are also protected.

- The intended use is described in this instruction manual. The use of any accessory or attachment or performance of any operation with this tool other than those recommended in this instruction manual may present a risk of personal injury and/or damage to property.

## Safety of others

- This appliance is not intended for use by persons (including children) with reduced physical, sensory or mental capabilities, or lack of experience and knowledge, unless they have been given supervision or instruction concerning the use of the appliance by a person responsible for the their safety.
- Children should be supervised to ensure that they do not play with the appliance.

## Vibration

The declared vibration emission values stated in the technical data and the declaration of conformity have been measured in accordance with a standard test method provided by EN 60745 and may be used for comparing one tool with another. The declared vibration emission value may also be used in a preliminary assessment of exposure.

**Warning!** The vibration emission value during actual use of the power tool can differ from the declared value depending on the ways in which the tool is used. The vibration level may increase above the level stated.

When assessing vibration exposure to determine safety measures required by 2002/44/EC to protect persons regularly using power tools in employment, an estimation of vibration exposure should consider, the actual conditions of use and the way the tool is used, including taking account of all parts of the operating cycle such as the times when the tool is switched off and when it is running idle in addition to the trigger time.

## Labels on tools



**Warning!** To reduce the risk of injury, the user must read the instruction manual.

## Electrical safety



This tool is double insulated; therefore no earth wire is required. Always check that the power supply corresponds to the voltage on the rating plate.

- If the supply cord is damaged, it must be replaced by the manufacturer or an authorised Black & Decker Service Centre in order to avoid a hazard.

## Additional safety instructions for non-rechargeable batteries

- Never attempt to open for any reason.
- Do not store in locations where the temperature may exceed 40°C.
- When disposing of batteries, follow the instructions given in the section "Protecting the environment".
- Do not incinerate the batteries.
- Under extreme conditions, battery leakage may occur.
- When you notice liquid on the batteries, proceed as follows:
  - Carefully wipe the liquid off using a cloth. Avoid skin contact.

## Additional safety instructions for lasers



Read all of this manual carefully.



This product is not to be used by children under 16.



Laser radiation.



Do not look into the laser beam.



Do not use optical tools to view the laser beam.

- This laser complies with class 2 according to EN 60825-1:2007. Do not replace a laser diode with a different type. If the laser is damaged, have the laser repaired by an authorised repair agent.
- Do not use the laser for any purpose other than projecting laser lines.
- An exposure of the eye to the beam of a class 2 laser is considered safe for a maximum of 0.25 seconds. Eyelid reflexes will normally provide adequate protection. At distances greater than 1m, the laser complies with class 1 and is therefore considered completely safe.
- Never look into the laser beam directly and intentionally.
- Do not use optical tools to view the laser beam.
- Do not set up the tool where the laser beam can cross any person at head height.
- Do not let children come near the laser.

## Features

1. Variable speed control knob
2. On/off switch
3. Lock-on button
4. Blade storage compartment cover
5. Shoe plate locking lever
6. Dust extraction outlet
7. Shoe plate
8. Saw blade support roller
9. Pendulum stroke selector



## Additional features (Fig. A)

Additional features may be applicable depending upon the product purchased. The additional features applicable to the catalogue number purchased are shown in fig. A.

## Assembly

**Warning!** Before attempting any of the following operations, make sure that the tool is switched off and unplugged and that the saw blade has stopped. Used saw blades may be hot.

## Fitting and removing the saw blade (Fig. B and C)

**Warning!** Before attempting any of the following operations, make sure that the tool is switched off and unplugged and that the saw blade has stopped. Used saw blades may be hot.

### Fitting the saw blade (Fig. B)

- Hold the saw blade (10) as shown, with the teeth facing forward.
- Push and hold the blade clamp (11) down.
- Insert the shank of the saw blade into the blade holder (12) as far as it will go.
- Release the blade clamp (11).

### Saw blade storage (Fig. C)

Saw blades (10) can be stored in the storage compartment (4) located on the side of the tool.

- Open the cover of the saw blade storage compartment (4) by holding the tab on the top of the cover and pulling it outward.
- The blades are retained in the compartment by a magnetic strip. To remove a blade, press down on one end of the blade to raise the other end, and remove.

- Close the cover of the saw blade storage compartment (4) and make sure that it is latched closed.

**Warning!** Close the storage compartment door securely before operating the saw.

## Connecting a vacuum cleaner to the tool (fig. D)

An adaptor (13) is required to connect a vacuum cleaner or dust extractor to the tool.

- Push the adaptor (13) into the dust extraction outlet (6).
- Connect the vacuum cleaner hose (14) to the adaptor (13).

## Cut line blower (Fig. E)

- To aid visibility when cutting, your jigsaw is equipped with a cut line blower (15) which will keep the work area clear of dust as you saw.

## Residual risks

Additional residual risks may arise when using the tool which may not be included in the enclosed safety warnings. These risks can arise from misuse, prolonged use etc.

Even with the application of the relevant safety regulations and the implementation of safety devices, certain residual risks cannot be avoided. These include:

- Injuries caused by touching any rotating/moving parts.
- Injuries caused when changing any parts, blades or accessories.
- Injuries caused by prolonged use of a tool. When using any tool for prolonged periods make sure you take regular breaks.

- Impairment of hearing.
- Health hazards caused by breathing dust developed when using your tool (example:- working with wood, especially oak, beech and MDF).

## Use

### Adjusting the shoe plate for bevel cuts (fig. F and G)

**Warning!** Never use the tool when the shoe plate is loose or removed.

The shoe plate (7) can be set to a left or right bevel angle of up to 45°.

- Pull the shoe plate locking lever (5) outwards to unlock the shoe plate (7) from the 0 deg position.
- Pull the shoe plate (7) forward and set the required bevel 15°, 30° and 45° indicated in the bevel angle window.
- Push the shoe plate locking lever (5) back towards the saw to lock the shoe plate (7).

To reset the shoe plate (7) for straight cuts:

- Pull the shoe plate locking lever (5) outwards to unlock the shoe plate (7).
- Set the shoe plate (7) to an angle of 0° and push the shoe plate backwards.
- Push the shoe plate locking lever (5) back towards the saw to lock the shoe plate (7).

### Setting the pendulum stroke (fig. H)

- Set the pendulum stroke selector (9) to the required position.

- Position 0: metal and aluminium and sheet metal.
- Position I: for laminates, hard wood, work tops.
- Position II: for plywood and PVC/Plastics.
- Position III: for soft wood and fast cutting.

### Variable speed control

- Set the variable speed control knob (1) to the required speed range.
- Use a high speed for wood, medium speed for aluminium and PVC and low speed for metals other than aluminium.

### Switching on and off

- To switch the tool on, press the on/off switch (2).
- To switch the tool off, release the on/off switch (2).
- For continuous operation, press the lock-on button (3) and release the on/off switch (2).
- To switch the tool off when in continuous operation, press the on/off switch (2) and release it.

### Sawing

Hold the tool firmly with both hands while cutting.

The shoe plate (7) should be held firmly against the material being cut. This will help prevent the saw from jumping, reduce vibration and minimise blade breakage.

- Let the blade run freely for a few seconds before starting the cut.
- Apply only a gentle pressure to the tool while performing the cut.

## Operating the laser (fig. I - L) (KS900EL unit only)

### Installing the batteries (fig. I)

Detach the laser module (17) from the jigsaw by removing the screw (16) and pulling the laser module forward. Insert two new 1.5 Volt AAA alkaline batteries, making sure to match the (+) and (-) terminals correctly. Re-attach the laser module (17).

### Adjusting the laser side-to-side (fig. J)

**Note:** The laser is intended as a cutting aid and does not guarantee a precise cut.

**Warning!** Do not adjust the laser with the jigsaw plugged in.

- Use the laser adjustment screw (18) to align the laser line with the saw blade if needed.

The laser visibility (power) will be reduced if the jigsaw is overheated. The laser may not be visible when the saw is overloaded for a prolonged period of time. The laser visibility will gradually return to normal when the tool cools down even when the tool is unplugged.

**Warning!** Do not leave the overheated laser switched ON.

Make sure that the switch is in the OFF position and remove the batteries to remove power from the laser.

### Using the laser (fig. K - L)

The laser projects the line of cut (21) on to the surface of the workpiece.

- To switch the laser on, press the button (19).

- To switch the laser off, press the button (19) again.

Viewing from directly above the jigsaw, the line of cut (21) can be easily followed. Should this view be restricted for any reason, the laser can be used as an alternative cutting guide.

- Use a pencil to mark the cutting line (20).
- Position the jigsaw over the line (20).
- Switch on the laser.

## Hints for optimum use

### Sawing laminates

When cutting laminates, splintering may occur which can damage the presentation surface. The most common saw blades cut on the upward stroke, therefore if the shoe plate is sitting on the presentation surface either use a saw blade that cuts on the downward stroke or:

- Use a fine-tooth saw blade.
- Saw from the back surface of the workpiece.
- To minimise splintering, clamp a piece of scrap wood or hardboard to both sides of the workpiece and saw through this sandwich.

### Sawing metal

Be aware that sawing metal takes much more time than sawing wood.

- Use a saw blade suitable for sawing metal.
- When cutting thin sheet metal, clamp a piece of scrap wood to the back surface of the workpiece and cut through this sandwich.
- Spread a film of oil along the intended line of cut.

## Maintenance

Your Black & Decker tool has been designed to operate over a long period of time with a minimum of maintenance. Continuous satisfactory operation depends upon proper tool care and regular cleaning.

- Regularly clean the ventilation slots in your tool using a soft brush or dry cloth.
- Regularly clean the motor housing using a damp cloth. Do not use any abrasive or solvent-based cleaner. Never let any liquid get inside the tool and never immerse any part of the tool into liquid.

## Mains Plug Replacement

If a new mains plug needs to be fitted:

- Safely dispose of the old plug.
- Connect the brown lead to the live terminal of the new plug.
- Connect the blue lead to the neutral terminal.
- If the product is class I (earthed), connect the green / yellow lead to the earth terminal.

**Warning!** If your product is class II double insulated (only 2 wires in the cord set), no connection is to be made to the earth terminal.

Follow the fitting instructions supplied with good quality plugs.

Any replacement fuse must be of the same rating as the original fuse supplied with the product.

## Batteries



At the end of their useful life, discard batteries with due care for our environment:

- Do not short-circuit the battery terminals.
- Do not dispose of the battery(s) in a fire as this may result in a risk of personal injury or an explosion.
- Run the battery down completely, then remove it from the tool.
- Batteries are recyclable. Place the battery(s) in a suitable packaging to ensure that the terminals cannot be short-circuited. Take them to any authorised repair agent or a local recycling station.

## Technical data

		KS900E KS900EL
Voltage	Vac	220-240
Rated input	W	600
No-load speed	min <sup>-1</sup>	800-3000
Max. depth of cut		
Wood	mm	85
Steel	mm	5
Aluminium	mm	15
Weight	kg	2.36
(with laser)	kg	2.66

## Protecting the environment



Separate collection. This product must not be disposed of with normal household waste.

Should you find one day that your Black & Decker product needs replacement, or if it is of no further use to you, do not dispose of it with other household waste. Make this product available for separate collection.

- Black & Decker provides a facility for recycling Black & Decker products once they have reached the end of their working life. This service is provided free of charge. To take advantage of this service please return your product to any authorised repair agent who will collect them on our behalf.
- You can check the location of your nearest authorised repair agent by contacting your local Black & Decker office at the address indicated in this manual. Alternatively, a list of authorised Black & Decker repair agents and full details of our after-sales service and contact are available on the Internet at: [www.2helpU.com](http://www.2helpU.com).

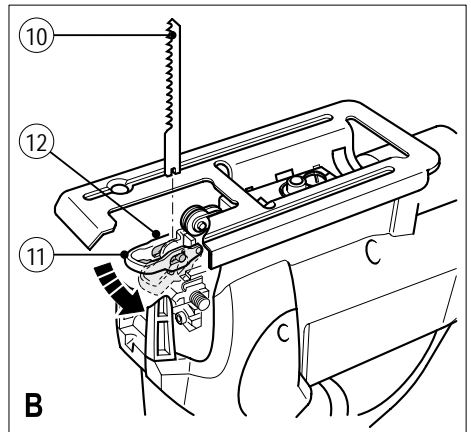
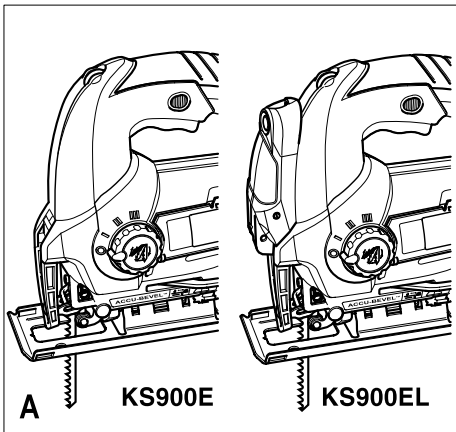
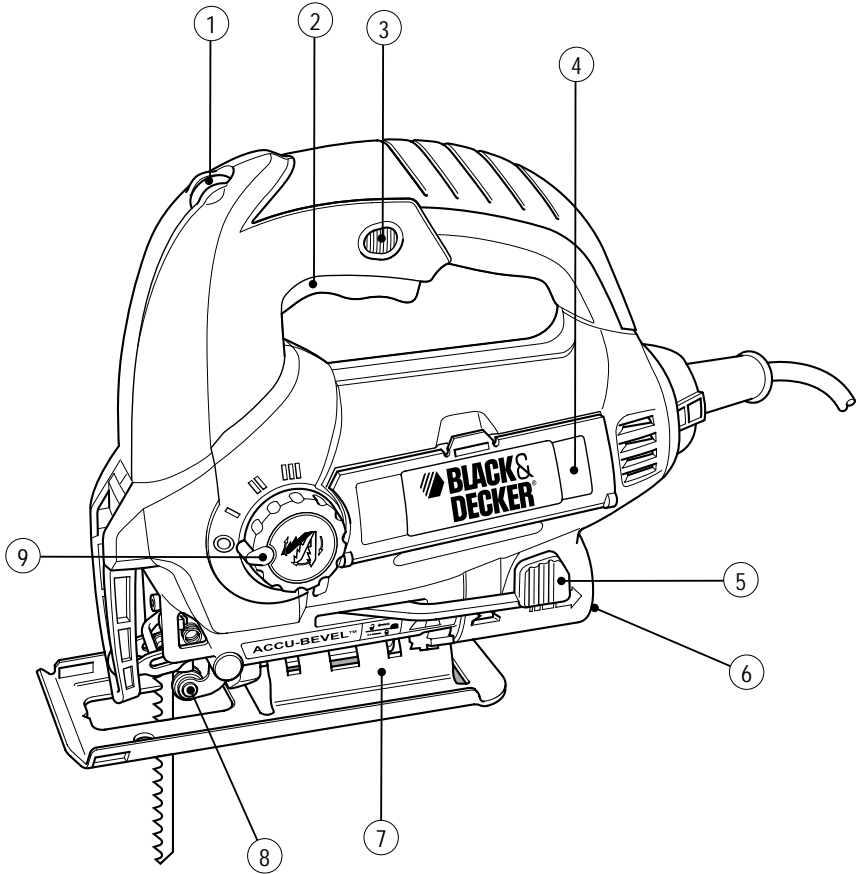
## Warranty

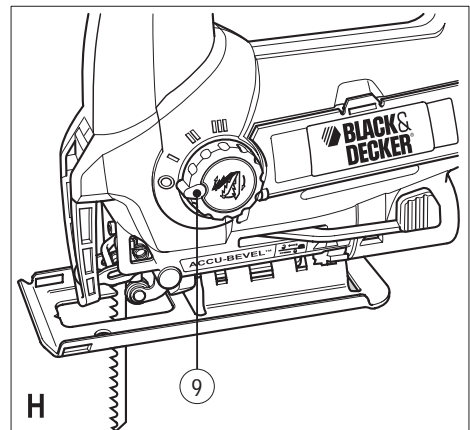
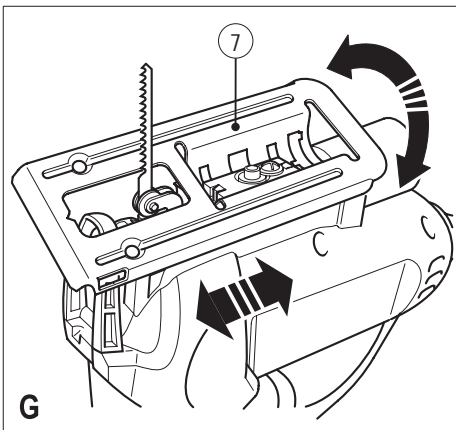
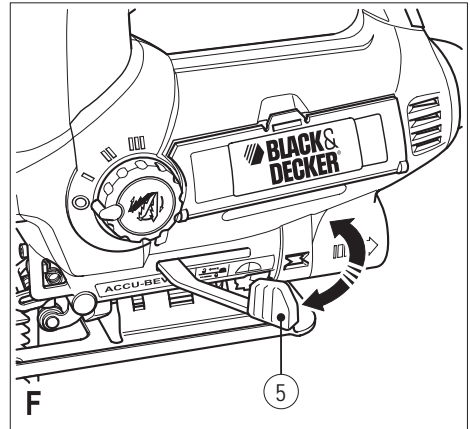
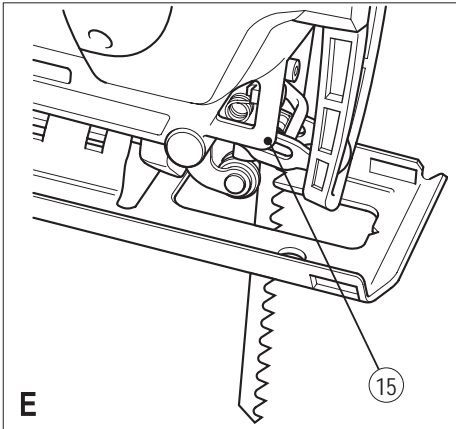
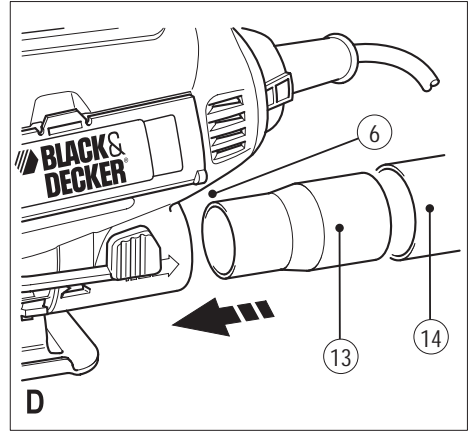
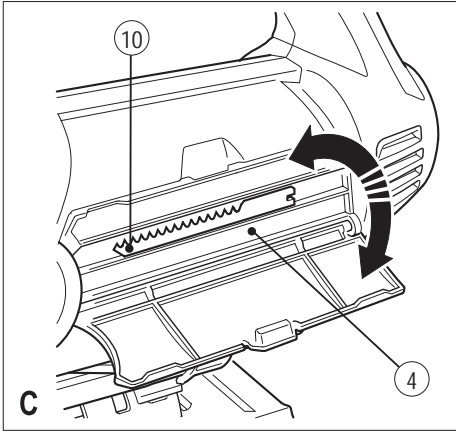
If a Black & Decker product becomes defective due to a material or manufacturing defect, within 12 months from the date of purchase, Black & Decker guarantees to replace defective parts or replace such products to ensure minimum inconvenience to the customer unless:

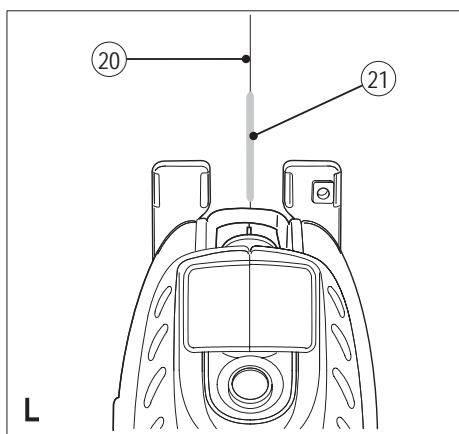
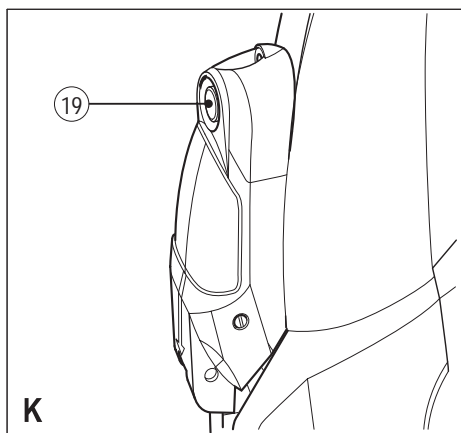
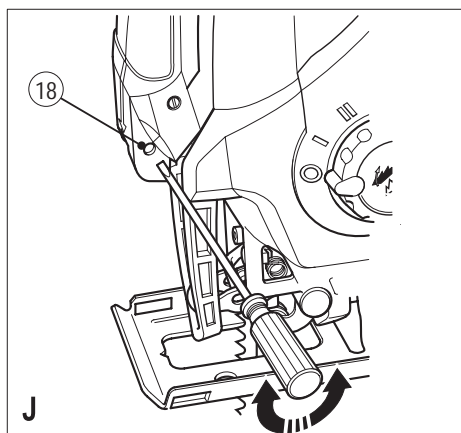
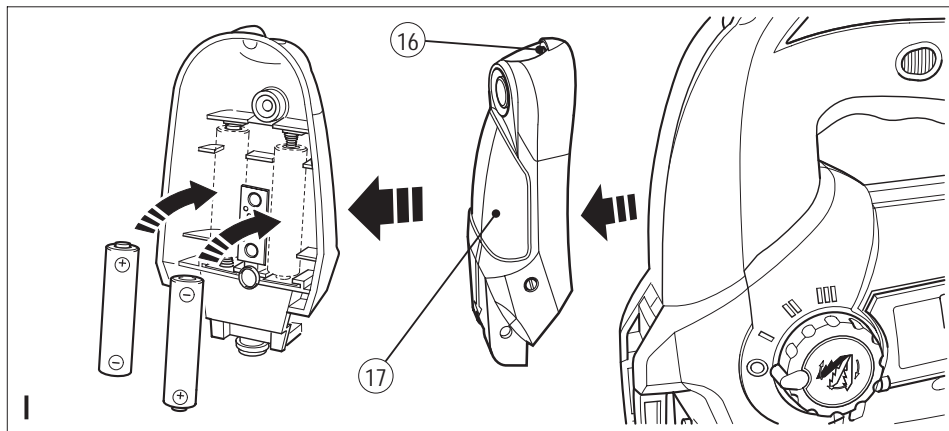
- The product has been subjected to misuse or neglect.
- The product has sustained damage through foreign objects, substances or accidents.
- Repairs have been attempted by persons other than authorised repair agents or Black & Decker service staff.

To claim on the warranty, you will need to submit proof of purchase to the seller or an authorised repair agent. You can check the location of your nearest authorised repair agent by contacting your local Black & Decker office at the address indicated in this manual. Alternatively, a list of authorised Black & Decker repair agents and full details of our after-sales service and contacts are available on the Internet at: [www.2helpU.com](http://www.2helpU.com).

Please visit our website [www.blackanddecker.ae](http://www.blackanddecker.ae) to register your new Black & Decker product and to be kept up to date on new products and special offers. Further information on the Black & Decker brand and our range of products is available at [www.blackanddecker.ae](http://www.blackanddecker.ae).










## غرض الاستخدام

المنشار الكهربائي بلاك آند ديكر مصمم لنشر الخشب والبلاستيك والمعادن. هذا الجهاز مصمم لاستخدام المستهلك فقط.

## إرشادات السلامة

التحذيرات العامة بخصوص سلامة الأجهزة الكهربائية

 تحذير! ينبغي قراءة كافة تحذيرات السلامة وكافة الإرشادات. قد يتسبب عدم إتباع كافة الإرشادات في حدوث صدمة كهربائية و/أو حريق و/أو إصابة خطيرة.

يرجى الاحتفاظ بكافة التحذيرات والإرشادات للرجوع إليها مستقبلاً.

المصطلح "جهاز كهربائي" الوارد في كافة التحذيرات المذكورة أدناه يشير إلى الجهاز الكهربائي الذي يعمل بالتيار الكهربائي (سلكيًا) أو الجهاز الكهربائي الذي يعمل بالبطارية (لا سلكيًا).

### 1. سلامة منطقة العمل

أ. ينبغي الحفاظ على منطقة العمل في حالة نظيفة ومضاءة جيدًا. تتسبب المناطق المظلمة والمكتظة بالركام في حدوث حوادث.

ب. لا تقم بتشغيل الأجهزة الكهربائية في أجواء انفجارية؛ مثل تشغيلها في وجود سوائل قابلة للاشتعال أو غازات أو غبار. الأجهزة الكهربائية ينتج عنها شرارات قد تؤدي إلى إشعال الغبار أو الأبخرة.

ج. ينبغي إبعاد الأطفال والمتفرجين أثناء تشغيل الجهاز الكهربائي. قد يتسبب الإلهاء في فقدانك للسيطرة على الجهاز.

### 2. السلامة الكهربائية

أ. يلزم توافق قوالب التيار الكهربائي مع مصدر التيار الكهربائي. تجنب مطلقًا تعديل القابض بأية طريقة. ولا تستخدم أية قوالب مهايئ مع الأجهزة المأرضة. سوف تؤدي القوالب غير المعدلة ومصادر التيار الكهربائي المتوافقة إلى تقليل خطر التعرض لصدمة كهربائية.

ب. تجنب ملامسة الجسم للأسطح المؤرضة مثل الأنابيب وأجهزة المدفأة والمواقد والثلاجات. يزداد خطر إصابتك بصدمة كهربائية إذا كان جسمك مؤرضًا.

ج. لا تعرض الأجهزة الكهربائية للمطر أو الأجواء الرطبة. سوف يؤدي تخطل الماء داخل الجهاز الكهربائي إلى زيادة خطر الإصابة بصدمة كهربائية.

د. ينبغي عدم إساءة استعمال سلك التيار الكهربائي. لا تستخدم مطلقًا سلك التيار الكهربائي لحمل الجهاز الكهربائي أو سحب أو فصل عن التيار. ينبغي الاحتفاظ بسلك التيار الكهربائي بعيدًا عن الحرارة أو الزيت أو الحواف الحادة أو الأجزاء المتحركة. تزيد الأسلاك التالفة أو المتشابكة من خطر الإصابة بصدمة كهربائية.

هـ. عند تشغيل الجهاز الكهربائي في الهواء الطلق، استخدم سلك توصيل مناسب للاستخدام في الهواء الطلق. استخدم سلك تيار كهربائي مناسب للاستخدام في الهواء الطلق يقلل من خطر التعرض لصدمة كهربائية.

و. إذا كان لا يمكن تجنب تشغيل الجهاز الكهربائي في مكان رطب، فإنه ينبغي استخدام جهاز وقاية من التيار المتبقي. يقلل استخدام جهاز الوقاية من التيار المتبقي من خطر الإصابة بصدمة كهربائية.

### 3. السلامة الشخصية

أ. كن يقظًا وراقب ما تقوم بفعله واستخدم الحس السليم عندما تقوم بتشغيل الجهاز الكهربائي. لا تستخدم الجهاز الكهربائي عندما تكون منهكًا أو تحت تأثير العقاقير أو المشروبات الكحولية أو الدواء. قد تتسبب لحظة من الغفلة أثناء تشغيل الأجهزة الكهربائية في حدوث إصابة شخصية بالغة.

ب. استخدم معدات الوقاية الشخصية. ارتدي دومًا واقي العين. سوف يقلل استخدام معدات الوقاية مثل كمامات الأتربة والأحذية المانعة للزحلق والقفعة الصلبة وواقي السمع من خطر حدوث إصابات شخصية.

ج. يتعين منع بدء التشغيل غير المقصود. تأكد من أن المفتاح في وضع الغلق قبل التوصيل بمصدر التيار الكهربائي و/أو بحزمة البطارية أو رفع أو حمل الجهاز. يؤدي حمل الأجهزة الكهربائية والأصابع موضوعة على المفتاح، أو حمل الأجهزة الكهربائية النشطة التي تكون في وضع التشغيل، إلى وقوع حوادث.

هـ. ينبغي صيانة الأجهزة الكهربائية. افحص الجهاز للتعرف على الأجزاء المعيبة أو التي تعوق حركة الأجزاء المتحركة وللتأكد من خلوها من الأجزاء المكسورة ومن أي حالة أخرى قد تؤثر على كفاءة تشغيل الأجهزة الكهربائية. إذا تم العثور على أي تلف، ينبغي إصلاح الجهاز الكهربائي قبل الاستخدام. تنتج العديد من الحوادث عن سوء صيانة الأجهزة الكهربائية.

و. ينبغي الحفاظ على أدوات القطع في حالة حادة ونظيفة. أدوات القطع المحافظ عليها بشكل مناسب والمزودة بشفرات قاطعة حادة هي أقل عرضة للأعطال وأسهل في التحكم.

ز. ينبغي استخدام الجهاز الكهربائي وملحقاته وأجزائه وما إلى ذلك وفقاً لهذه الإرشادات، مع أخذ ظروف العمل والعمل المراد تنفيذه في الاعتبار. قد يتسبب استخدام الجهاز الكهربائي من أجل عمليات تشغيل مختلفة عن عمليات التشغيل المقصودة في حدوث مخاطر.

#### 5. الصيانة

أ. ينبغي صيانة وإصلاح الجهاز الكهربائي بواسطة شخص مؤهل باستخدام قطع غيار مطابقة فقط. هذا سيضمن الحفاظ على سلامة الجهاز الكهربائي.

### تحذيرات سلامة إضافية بخصوص الجهاز الكهربائي

تحذيراً! تحذيرات سلامة إضافية بخصوص المنشار الكهربائي.



• امسك الجهاز الكهربائي بواسطة مقبض ذو أسطح معزولة، فعندما تقوم بتنفيذ عملية ما، قد تلامس وحدة القطع شبكة الأسلاك المخفية أو سلك الجهاز نفسه. وقد تؤدي ملامسة وحدة القطع لسلك تيار "حي" إلى تعرية الأجزاء المعدنية لسلك التيار "الحي" ومن ثم قد يتسبب ذلك في تعرض المشغل لصدمة كهربائية.

• استخدم المشابك أو أي طريقة عملية أخرى لإحكام تثبيت وتدعيم قطعة العمل على منصة مستقرة. إن مسك قطعة العمل بواسطة اليد أو وضعها على جسمك يجعل قطعة العمل غير مستقرة وقد يؤدي إلى فقدان السيطرة.

د. قم بإزالة أي مفتاح عادي أو مفتاح إنجليزي قبل تشغيل الجهاز الكهربائي. قد يتسبب ترك المفتاح متعلقاً بالجزء الدوار من الجهاز الكهربائي في حدوث إصابة شخصية.

هـ. ينبغي عدم الاقتراب المفرط. ينبغي الحفاظ على ثبات القدمين والتوازن في كافة الأوقات. هذا يمكنك من السيطرة الجيدة على الجهاز الكهربائي في المواقف غير المتوقعة.

و. ينبغي ارتداء الملابس المناسبة. لا ترتدي الملابس الفضفاضة أو المجوهرات. ينبغي الحفاظ على شعرك وملابسك وقفازاتك بعيداً عن الأجزاء المتحركة. قد تتعلق الملابس الفضفاضة أو المجوهرات أو الشعر الطويل بالأجزاء المتحركة.

ز. إذا كانت هناك أجهزة موفرة بخصوص استخراج الغبار ومرافق الجمع، تأكد من توصيل تلك الأجهزة واستخدامها بالشكل المناسب. يمكن أن يقلل استخدام تلك الأجهزة من حدوث المخاطر المرتبطة بالغبار.

#### 4. استخدام الجهاز الكهربائي والعناية به

أ. يتعين تجنب استخدام الجهاز الكهربائي في غرض غير مناسب. استخدم الجهاز الكهربائي المناسب للغرض والاستخدام الذي تريده. سوف يقوم الجهاز الكهربائي الصحيح بأداء العمل بشكل أفضل وأكثر أماناً بالمعدل الذي تم تصميمه من أجله.

ب. لا تستخدم الجهاز الكهربائي إذا لم يتم إيقاف تشغيله وإيقاف تشغيله. أي جهاز كهربائي لا يمكن التحكم فيه باستخدام المفتاح يكون خطراً وينبغي إصلاحه.

ج. افصل قابس الجهاز الكهربائي عن مصدر التيار الكهربائي و/أو عن حزمة البطارية قبل إجراء أية تعديلات أو تغييرات أو تركيب أية ملحقات في الأجهزة الكهربائية أو تخزينها. تقلل إجراءات السلامة الوقائية هذه من خطر بدء تشغيل الجهاز الكهربائي فجأة دون قصد.

د. قم بتخزين الأجهزة الكهربائية غير المستخدمة بعيداً عن متناول الأطفال ولا تسمح للأشخاص غير المعتادين على استخدام الجهاز الكهربائي أو غير المطلعين على هذه الإرشادات بتشغيل الجهاز الكهربائي. الأجهزة الكهربائية تشكل خطراً عندما تكون في يد مستخدمين غير مدربين.

## سلامة الآخرين

- هذا الجهاز غير مصمم ليستخدمه الأشخاص ذوو القدرات الجسدية والذهنية والحسية والعقلية المتدنية والخبرة والمعرفة القليلتين (بما في ذلك الأطفال) إلا في ظل الإشراف عليهم أو إعطائهم التعليمات المتعلقة باستخدام الجهاز من قبل الشخص المسؤول عن سلامتهم.
- يلزم الإشراف على الأطفال لضمان عدم عبثهم بالجهاز.

## الاهتزاز

- قيم انبعاث الاهتزازات المعلنة المذكورة في البيانات الفنية ومعلومات التوافق تم قياسها وفقاً لطريقة اختبار قياسية منصوص عليها بموجب المعيار EN 60745 ويمكن استخدامها لمقارنة جهاز ما مع آخر. ويمكن استخدام قيمة انبعاث الاهتزازات المعلنة في إجراء تقييم أولي للتعرض.
- تحذير! يمكن أن تختلف قيمة انبعاث الاهتزازات أثناء الاستخدام الفعلي للجهاز الكهربائي عن القيمة المعلنة حيث يتوقف ذلك على طرق استخدام الجهاز. قد يزداد مستوى الاهتزاز عن المستوى المذكور.
- عند تقييم التعرض للاهتزاز لتحديد إجراءات السلامة المطلوبة بموجب المعيار EC/2002/44 لحماية الأشخاص الذين يستخدمون الأجهزة الكهربائية بشكل منتظم في عملهم، يلزم مراعاة ما يلي في عملية تقييم التعرض للاهتزاز: الظروف الفعلية للاستخدام والطريقة التي يتم استخدام الجهاز بها، بما في ذلك أخذ كافة أجزاء دورة التشغيل في الاعتبار؛ مثل الأوقات التي يتم فيها إيقاف تشغيل الجهاز أو عند التوقف عن استخدامه، بالإضافة إلى أوقات التشغيل.

## الملصقات على الأجهزة

- تحذير! لتقليل خطر الإصابة، ينبغي على المستخدم قراءة دليل الإرشادات.



- ينبغي الحفاظ على الأيدي بعيداً عن منطقة القطع. لا تدهمها تحت قطعة العمل لأي سبب من الأسباب. لا تدخل أناملك أو أصابعك بالقرب من نطاق تردد الشفرة ومشبك الشفرة. لا تحاول تثبيت المنشار عن طريق مسك الغطاء.
- ينبغي الحفاظ على الشفرات حادة. قد تتسبب الشفرات غير الحادة أو التالفة في انحراف المنشار أو توقفه تحت ضغط. استخدم دوماً نوع شفرة المنشار المناسب لمادة قطعة العمل ونوع القطع.
- عند قطع الأنابيب أو المواسير، تأكد من أنها خالية من الماء أو الأسلاك الكهربائية وما إلى ذلك.
- لا تلمس قطعة العمل أو الشفرة مباشرة بعد تشغيل الجهاز. يمكن أن تكون ساخنة جداً.
- كن حذراً من المخاطر الخفية، فقبل القطع في الحوائط أو الأرضيات أو الأسقف، افحص الموقع للتعرف على الأسلاك والأنابيب.
- سوف تستمر الشفرة في الحركة بعد غلق المفتاح. قم دوماً بغلق المفتاح وانتظر حتى توقف شفرة المنشار تماماً قبل وضع الجهاز أرضاً.
- تحذير! التلامس مع أو استنشاق الغبار الناشئ عن قطع التطبيقات قد يعرض صحة المشغل والمتفرجين المحتملين للخطر. ارتدي كمامة أتربة خاصة مصممة للحماية من الأتربة والأدخنة وتأكد أيضاً من حماية الأشخاص الموجودين داخل أو الداخلين إلى منطقة العمل.
- الاستخدام المقصود موضح في دليل الإرشادات هذا. قد يتسبب استخدام أي وحدة ملحقة أو تنفيذ أية عملية بهذا الجهاز بخلاف تلك الموصى بها في دليل الإرشادات هذا في حدوث إصابة شخصية و/أو تلف للممتلكات.

## السلامة الكهربائية



هذا الجهاز معزول عزلاً مزدوجاً؛ لذلك، لا حاجة إلى سلك أرضي. وينبغي التأكد دائماً من توافق مصدر التيار الكهربائي مع الجهد الموضح على لوحة التقنين.

• يتوافق جهاز الليزر هذا مع الفئة 2 وفق المعيار EN 60825-1:2007Do. لا تستبدل صمام الليزر الثنائي بنوع مختلف. في حالة تلف جهاز الليزر، ينبغي إصلاح جهاز الليزر بواسطة وكيل صيانة معتمد.

• لا تستخدم الليزر في أي غرض بخلاف إسقاط خطوط الليزر.

• تعرض العين لشعاع ليزر من الفئة 2 يعتبر آمناً لمدة أقصاها 0.25 ثانية. ردود فعل جفن العين سوف تقوم بشكل طبيعي بتوفير الوقاية المناسبة. على مسافات تزيد عن متر واحد، يتوافق الليزر مع الفئة 1 ويعتبر بناءً على ذلك آمناً بشكل تام.

• لا تنظر مطلقاً في شعاع الليزر مباشرةً وبشكل متعمد.

• لا تستخدم أدوات بصرية لرؤية شعاع الليزر.

• لا تشغل الجهاز عندما يمكن أن يعبر شعاع الليزر أي شخص في مستوى ارتفاع الرأس.

• لا تسمح للأطفال بالاقتراب من الليزر.

• في حالة تلف سلك التيار الكهربائي، يجب استبداله من قبل الشركة المصنعة أو مركز صيانة بلاك أند ديكر معتمد لتجنب المخاطر.

## إرشادات سلامة إضافية بخصوص البطاريات غير القابلة للشحن

• لا تحاول مطلقاً فتحها لأي سبب من الأسباب.

• لا تقم بتخزينها في أماكن قد تزيد فيها درجة الحرارة عن 40 درجة مئوية.

• عند التخلص من البطاريات، اتبع الإرشادات الواردة في القسم "حماية البيئة".

• لا تقم بحرق البطاريات.

• في ظل الظروف القاسية، قد يحدث تسرب للبطارية.

• عندما تلاحظ سائل على البطارية، قم بإجراء ما يلي:

– قم بمسح السائل بعناية باستخدام قطعة قماش.

تجنب ملامسة الجلد للسائل.

## إرشادات سلامة إضافية بخصوص أجهزة

### الليزر



اقرأ محتوى هذا الدليل كاملاً بعناية

هذا المنتج غير مصمم لاستخدامه بواسطة الأطفال أقل من 16 سنة.



إشعاع ليزر



لا تنظر في شعاع الليزر



لا تستخدم أدوات بصرية لرؤية شعاع الليزر.



## المزايا

1. قرص تحكم في السرعة متغير

2. مفتاح تشغيل/إيقاف

3. زر غلق

4. غطاء حجرة تخزين الشفرة

5. ذراع غلق لوحة الغطاء

6. منفذ استخراج الغبار

7. لوحة غطاء

8. اسطوانة دعم شفرة المنشار

9. وحدة اختيار حركة البندول

## المزايا الإضافية (الشكل أ)

- أغلق غطاء حجرة تخزين شفرة المنشار (4) وتأكد من انغلاقها بإحكام.

تحذير! أغلق باب حجرة التخزين بإحكام قبل تشغيل المنشار.

قد يتم تطبيق مزايا إضافية اعتماداً على المنتج المشتري. المزايا الإضافية المطبقة على رقم الكتالوج المشتري موضحة في الشكل أ.

## التركيب

### توصيل مكنسة كهربائية بالجهاز (الشكل د)

مطلوب استخدام مهائئ (13) لتوصيل مكنسة كهربائية أو وحدة استخراج أتربة بالجهاز.

- ادفع المهائئ (13) في منفذ استخراج الغبار (6).

- قم بتوصيل خرطوم المكنسة الكهربائية (14) بالمهائئ (13).

تحذير! قبل الشروع في أي من العمليات التالية، تأكد من إيقاف تشغيل الجهاز وفصله عن مصدر التيار الكهربائي وتوقف شفرة المنشار. قد تكون شفرات المنشار المستخدمة ساخنة.

### تركيب وإزالة شفرة المنشار (الشكل "ب" و "ج")

تحذير! قبل الشروع في أي من العمليات التالية، تأكد من إيقاف تشغيل الجهاز وفصله عن مصدر التيار الكهربائي وتوقف شفرة المنشار. قد تكون شفرات المنشار المستخدمة ساخنة.

### منفاخ خط القطع (الشكل هـ)

- للمساعدة على الرؤية أثناء القطع، هذا المنشار الكهربائي مزود بمنفاخ خط القطع (15) الذي سيحافظ على نظافة منطقة العمل من الغبار لتسهيل الرؤية.

### تركيب شفرة المنشار (الشكل ب)

- امسك شفرة المنشار (10) كما هو موضح، بحيث تكون الأسنان متجهة للأمام.

- ادفع مشبك الشفرة (11) إلى أسفل وامسكه بإحكام.

- أدخل قصبه شفرة المنشار في حامل الشفرة (12) بقدر ما يدخل.

- قم بتحريك مشبك الشفرة (11).

### تخزين شفرة المنشار (الشكل ج)

يمكن تخزين شفرات المنشار (10) في حجرة التخزين (4) التي تقع على جانب الجهاز.

- افتح غطاء حجرة تخزين شفرة المنشار (4) عن طريق مسك الشريط الموجود على قمة الغطاء وسحبه إلى الخارج.

- يتم الاحتفاظ بالشفرة في الحجرة بواسطة شريط مغناطيسي. لإزالة الشفرة، اضغط إلى أسفل على إحدى نهايتي الشفرة لكي ترفع النهاية الأخرى، ثم قم بإزالتها.

## المخاطر المتبقية

قد تنشأ مخاطر متبقية إضافية عند استخدام الجهاز والتي قد لا تكون مضمنة في تحذيرات السلامة المرفقة. وقد تنشأ تلك المخاطر عن سوء الاستخدام أو الاستخدام المطول وما إلى ذلك.

حتى مع تطبيق لوائح السلامة ذات الصلة واستخدام أدوات السلامة، لا يمكن تجنب بعض المخاطر المتبقية. تشمل هذه المخاطر المتبقية ما يلي:

- الإصابات الناتجة عن ملامسة أية أجزاء دوارة/متحركة.
- الإصابات التي تحدث عند تغيير أية أجزاء أو شفرات أو ملحقات.
- الإصابات الناتجة عن الاستخدام المطول للجهاز. عند استخدام أي جهاز لفترات طويلة، تأكد من التوقف لفترات فاصلة منتظمة.

- ضعف السمع
- المخاطر الصحية الناتجة عن استنشاق الغبار الناشئ عند استخدام الجهاز (على سبيل المثال: الاستخدام مع الأخشاب وعلى وجه الخصوص خشب البلوط وخشب الزان والخشب الليفي متوسط الكثافة).
- الوضع I: للصفائح الرقيقة والخشب الصلب والأجزاء العلوية من العمل.
- الوضع II: للخشب الرقائقي والبولي فينيل كلوريد/البلاستيك.
- الوضع III: للخشب الرقيق وللقطع السريع.

## الاستخدام

### ضبط لوحة الغطاء للقطع بزوايا مائلة (الشكل "و" و "ز")

- اضبط قرص التحكم في السرعة المتغير (1) على معدل السرعة المطلوب.
- استخدم سرعة عالية من أجل الأخشاب، وسرعة متوسطة من أجل الألمونيوم والبولي فينيل كلوريد، وسرعة بطيئة من أجل المعادن خلاف الألمونيوم.

### التشغيل والإيقاف

- لتشغيل الجهاز، اضغط على مفتاح التشغيل/الإيقاف (2).
- لإيقاف الجهاز، قم بتحرير مفتاح التشغيل/الإيقاف (2).
- للتشغيل المستمر، اضغط على زر الغلق (3) وحرر مفتاح التشغيل/الإيقاف (2).
- لإيقاف الجهاز أثناء عملية التشغيل المستمر، اضغط على مفتاح التشغيل/الإيقاف (3) وحرره.

### النشر

- امسك الجهاز بإحكام مستخدمًا كلا المقبضين أثناء عملية القطع.
- ينبغي مسك لوحة الغطاء (7) بإحكام عند قطع المعادن. سوف يمنع ذلك قفز المنشار، وسوف يقلل الاهتزاز وسوف يحد من كسر الشفرة.

- اترك الشفرة تعمل بحرية لثوانٍ قليلة قبل بدء عملية القطع.
- اضغط بلطف على الجهاز أثناء أداء عملية القطع.

تحذير! لا تقم مطلقًا باستخدام الجهاز عندما تكون لوحة الغطاء مفكوكة أو مُزالة.

- يمكن ضبط لوحة الغطاء (7) على زاوية مائلة ناحية اليسار أو اليمين حتى 45 درجة.
- اسحب ذراع غلق لوحة الغطاء (5) إلى الخارج لفتح لوحة الغطاء (7) من وضع صفر درجة.
- اسحب لوحة الغطاء (7) إلى الأمام واضبط زاوية الميل المطلوبة، 15° و 30° و 45°، الموضحة في نافذة زاوية الميل.
- ادفع ذراع غلق لوحة الغطاء (5) إلى الخلف تجاه المنشار لغلق لوحة الغطاء (7).
- لإعادة ضبط لوحة الغطاء (7) للقطع في اتجاه مستقيم:

- اسحب ذراع غلق لوحة الغطاء (5) إلى الخارج لفتح لوحة الغطاء (7).
- اضبط لوحة الغطاء (7) على زاوية الصفر وادفع لوحة الغطاء إلى الخلف.
- ادفع ذراع غلق لوحة الغطاء (5) إلى الخلف تجاه المنشار لغلق لوحة الغطاء (7).

### ضبط حركة البندول (الشكل ح)

- اضبط وحدة اختيار حركة البندول (9) على الوضع المطلوب.
- الوضع 0: المعادن والألمونيوم والصفائح المعدنية.

## تشغيل الليزر (الشكل ط - ل) (وحدة KS900EL فقط)

### تركيب البطاريات (الشكل ط)

قم بفك وحدة الليزر (17) من المنشار الكهربائي عن طريق إزالة البرغي (16) وسحب وحدة الليزر إلى جهة الإمام. أدخل بطاريتين جديدتين قلويتين من النوع AAA قدرة 1.5 فولت، مع التأكد من التوافق الصحيح للقطب الموجب (+) والقطب السالب (-). أعد ربط وحدة الليزر (17).

### ضبط الليزر جنباً إلى جنب (الشكل ي)

ملاحظة: الغرض من الليزر هو العمل كوسيلة مساعدة في عملية القطع ولا يضمن دقة القطع.

تحذيراً! لا تقم بضبط الليزر عندما يكون المنشار الكهربائي متصلاً بمصدر التيار الكهربائي.

- استخدم برغي ضبط الليزر (18) لمحاذاة خط الليزر مع شفرة المنشار، إذا كان ذلك مطلوباً.

سوف تقل رؤية الليزر (الطاقة الكهربائية) إذا ازدادت درجة حرارة المنشار الكهربائي أكثر مما ينبغي. قد لا يمكن رؤية الليزر عند الإفراط في التحميل على المنشار لمدة زمنية طويلة. وسوف تعود رؤية الليزر تدريجياً إلى الوضع الطبيعي عندما يبرد الجهاز حتى وإن كان الجهاز مفصول عن مصدر التيار الكهربائي.

تحذيراً! لا تترك جهاز الليزر ذي درجة الحرارة المفرطة في وضع التشغيل.

تأكد من أن المفتاح في وضع الإيقاف وقم بإزالة البطاريات لفصل الطاقة الكهربائية عن جهاز الليزر.

### استخدام الليزر (الشكل ك - ل)

يُظهر الليزر خط القطع (21) على سطح قطعة العمل.

- لتشغيل الليزر، اضغط على الزر (19).

- لإيقاف الليزر، اضغط على الزر (19) مرة أخرى.

يمكن تتبع خط القطع (21) بسهولة من خلال رؤيته من الجهة التي تعلق المنشار الكهربائي مباشرة. ويمكن استخدام الليزر كدليل قطع بديل إذا كانت هذه الرؤية محدودة لأي سبب من الأسباب.

- استخدم قلم رصاص لتحديد خط القطع (20).
- ضع المنشار الكهربائي على الخط (20).
- قم بتشغيل الليزر.

### نصائح بخصوص الاستخدام الأمثل

#### نشر الصفائح الرقيقة

عند قطع الصفائح الرقيقة قد يحدث تمزق يؤدي إلى تلف سطح العرض. تقوم شفرات المنشار الأكثر شيوعاً بالقطع من خلال الحركة للأمام، لذلك إذا تم وضع لوحة الغطاء على سطح العرض فإنه ينبغي إما استخدام شفرة منشار تقوم بالقطع من خلال الحركة إلى أسفل أو:

- استخدام شفرة منشار ذات أسنان رفيعة.
- النشر من السطح الخلفي لقطعة العمل.
- للحد من التمزق، ثبت قطعة من بقايا الخشب أو الألواح على جانبي قطعة العمل وقم بالنشر بين القطعتين.

#### نشر المعادن

كن على دراية بأن نشر المعادن يستغرق وقتاً أكثر من نشر الخشب.

- استخدم شفرة نشر مناسبة لنشر المعادن.
- عند قطع صفائح معدنية رقيقة، ثبت قطعة من بقايا الخشب أو الألواح على جانبي قطعة العمل وقم بالنشر بين القطعتين.
- قم بفرد طبقة رقيقة جداً من الزيت على طول خط القطع المراد.

## الصيانة

## البطاريات



عند انتهاء فترة صلاحيتها، تخلص من البطاريات بعناية تامة من أجل حماية بيئتنا

- لا تصنع دائرة قصر كهربائية باستخدام طرفي البطارية.
- لا تتخلص من البطارية (البطاريات) بإلقائها في النار؛ حيث أن ذلك قد يتسبب في حدوث إصابة شخصية أو انفجار.
- استنفد طاقة البطارية بشكل كامل ثم قم بإزالتها من الجهاز.
- البطاريات قابلة لإعادة التدوير. ضع البطارية (البطاريات) في عبوة مناسبة لضمان عدم حدوث دائرة قصر كهربائية بين طرفي البطارية. ثم قم بأخذها إلى أي وكيل صيانة معتمد أو إلى أي محطة إعادة تدوير محلية.

جهاز بلاك آند ديكر مصمم من أجل تشغيله لفترة طويلة من الزمن بحد أدنى من الصيانة. تعتمد عملية التشغيل المرضية المستمرة على العناية المناسبة بالجهاز والتنظيف المنتظم له.

- نظف فتحات التهوية في الجهاز بشكل دوري باستخدام فرشاة ناعمة أو قطعة قماش جافة.
- نظف وحد إيواء المحرك بشكل منتظم باستخدام قطعة قماش رطبة. لا تستخدم أي مادة تنظيف كاشطة أو مذيبة. لا تدع أي سائل يتخلل داخل الجهاز ولا تغمس أي جزء من الجهاز في سائل.

## استبدال قابس المأخذ الرئيسي

في حالة الحاجة لتركيب قابس جديد للمأخذ الرئيسي، اتبع ما يلي:

- تخلص من القابس القديم بشكل آمن.
  - صل سلك التوصيل البني اللون بالطرف الموصل بالتيار من القابس الجديد.
  - صل سلك التوصيل الأزرق اللون بالطرف المحايد.
  - إذا كان المنتج من الفئة 1 (مؤرض)، صل السلك الأخضر/الأصفر اللون بالطرف الأرضي.
- تحذير! إذا كان المنتج من الفئة 2 المعزولة عزلاً مزدوجاً (سلكان فقط في الكبل) فلا حاجة عندئذٍ لأي توصيل بالطرف الأرضي.

اتبع تعليمات التركيب المرفقة مع القوابس عالية الجودة.

ينبغي أن يكون لأي مصهر مستبدل نفس مقنن المصهر الأصلي المرفق مع المنتج.

## البيانات الفنية

KS900E KS900EL			
220-240	فولت تيار مستمر		الجهد الكهربائي
600	وات		التيار الكهربائي الداخل المقنن
3000 - 800	دقيقة <sup>-1</sup>		سرعة الدوران دون حمل
85	ملم		أقصى عمق لقطع الخشب
5	ملم		الصلب
15	ملم		الألمونيوم
2.36	كجم		الوزن
2.66	كجم		الوزن (مع جهاز الليزر)



## حماية البيئة



الجمع المنفصل. يلزم عدم التخلص من هذا المنتج مع القمامة المنزلية العادية.

إذا لزم في يوم من الأيام استبدال منتج بلاك أند ديكر الخاص بك، أو إذا لم تعد تستخدمه، فلا تتخلص منه مع القمامة المنزلية الأخرى، بل تأكد من إتاحة هذا المنتج للجمع المنفصل.

- توفر شركة بلاك أند ديكر مرفق لإعادة تدوير منتجات بلاك أند ديكر بمجرد وصولها إلى نهاية عمرها وعدم صلاحيتها للعمل. ويتم تقديم هذه الخدمة مجاناً. للاستفادة من هذه الخدمة، يرجى إعادة المنتج إلى أي وكيل صيانة معتمد والذي سوف يتولى بدوره جمع المنتجات نيابة عنا.
- يمكنك التعرف على موقع أقرب وكيل صيانة معتمد من خلال الاتصال على مكتب بلاك أند ديكر المحلي في العنوان الموضح في هذا الدليل. وبدلاً من ذلك، توجد قائمة بوكلاء الصيانة المعتمدين التابعين لشركة بلاك أند ديكر والتفاصيل الكاملة لخدمات ما بعد البيع ووسائل الاتصال الخاصة بنا على الإنترنت على الموقع الإلكتروني: [www.2helpU.com](http://www.2helpU.com).

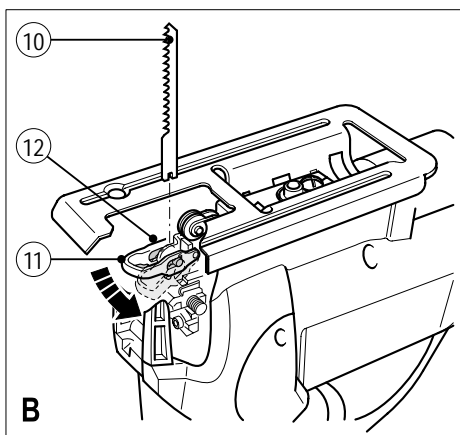
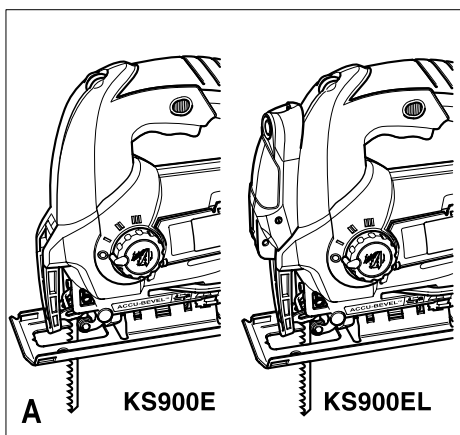
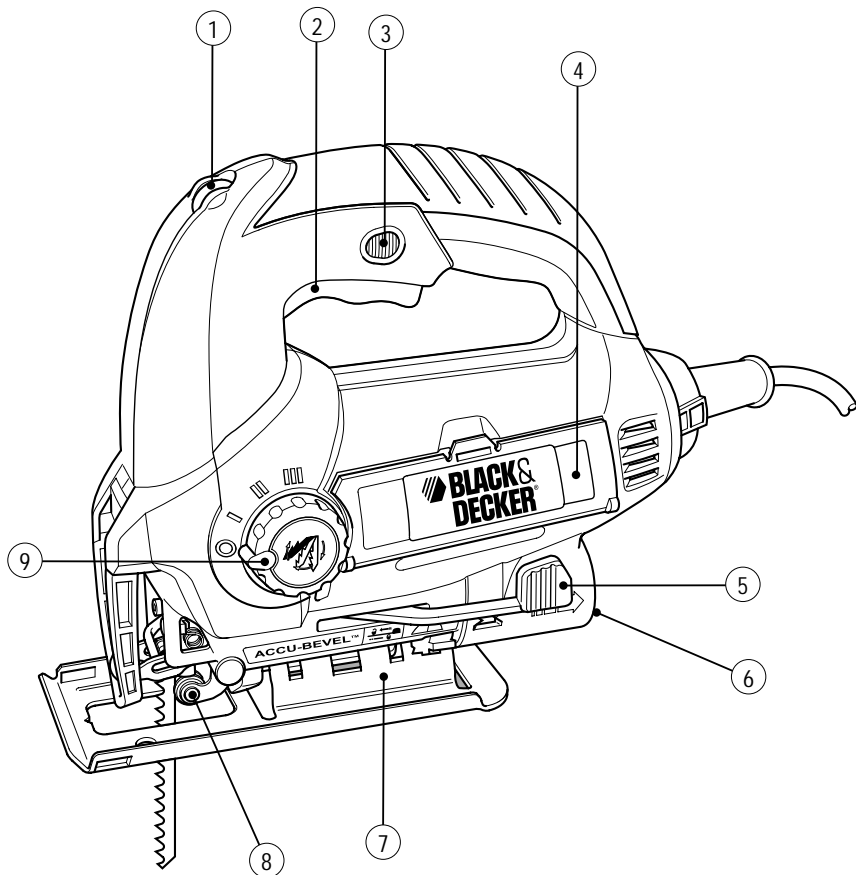
## الضمان

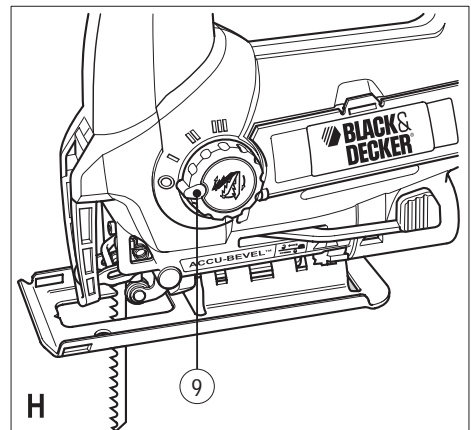
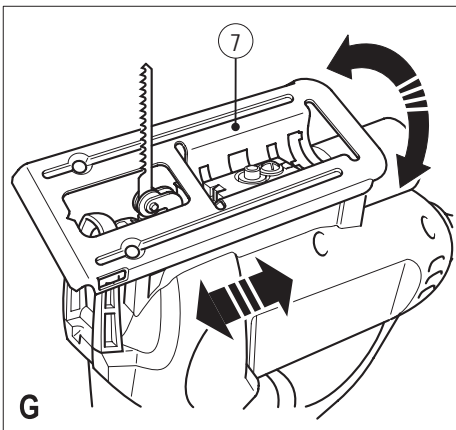
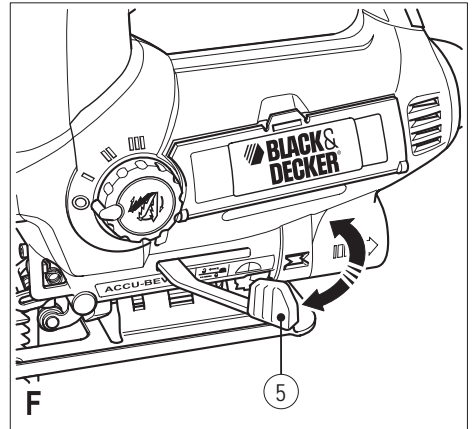
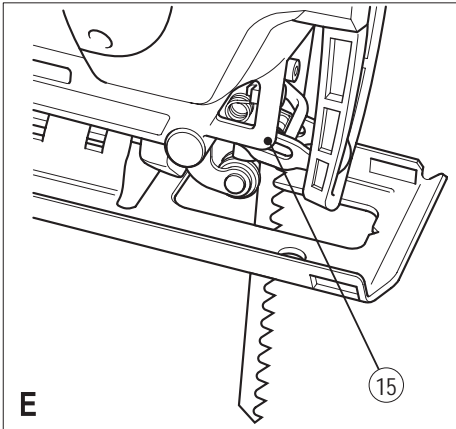
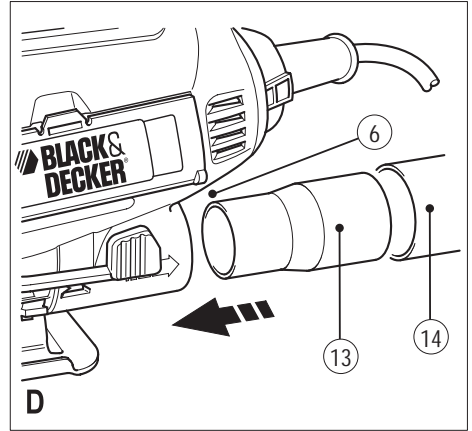
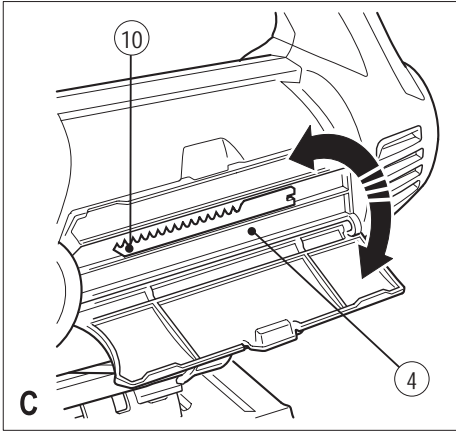
إذا ظهر خلل في منتج بلاك أند ديكر بسبب عيب في المواد أو التصنيع، في غضون 12 شهراً من تاريخ الشراء، فإن بلاك أند ديكر تضمن استبدال الأجزاء المعيبة أو استبدال هذه المنتجات لتوفير أقصى قدر من الراحة للعميل، إلا إذا:

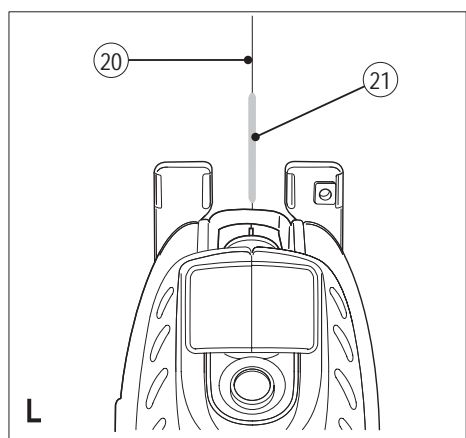
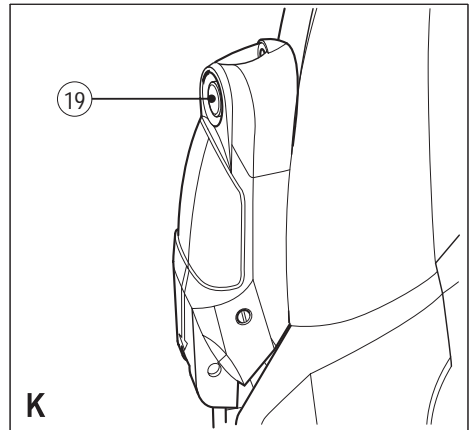
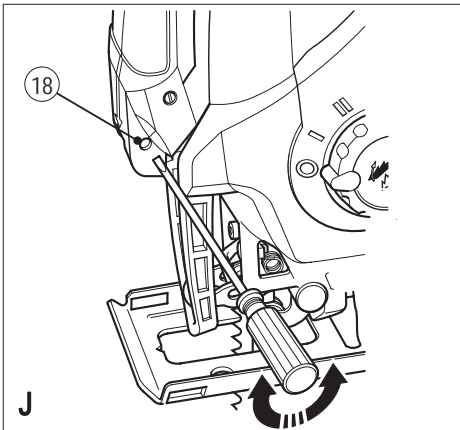
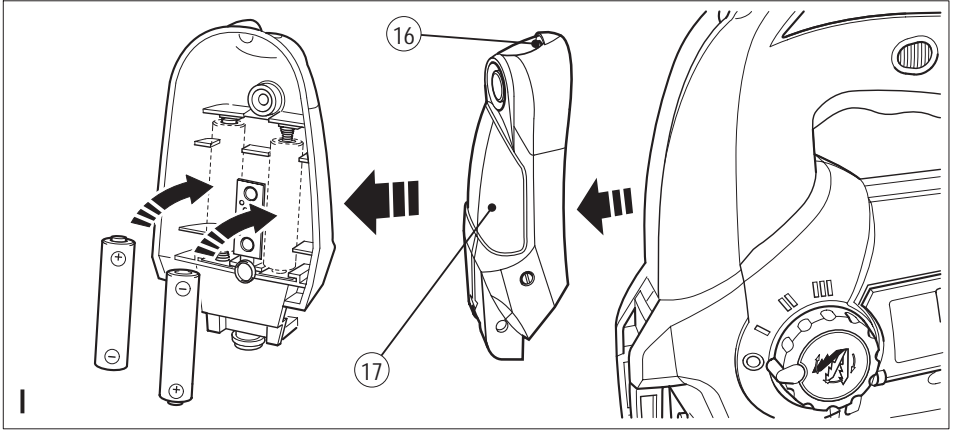
- تعرض المنتج لإساءة الاستخدام أو الإهمال.
- لحقت أضرار جسيمة بالمنتج بسبب أجسام أو مواد غريبة أو حوادث.
- حاول شخص آخر سوى وكلاء الصيانة المعتمدين أو عملي الصيانة التابعين لبلاك أند ديكر إصلاح المنتج.

للحصول على خدمات الضمان، يجب تقديم فاتورة الشراء للبائع أو وكيل الصيانة المعتمد. يمكنك معرفة موقع أقرب وكيل صيانة معتمد عن طريق الاتصال بمكتب بلاك أند ديكر المحلي في العنوان المبين في هذا الدليل. وبدلاً من ذلك، تتوفر قائمة بوكلاء الصيانة المعتمدين لدى بلاك أند ديكر والتفاصيل الكاملة لخدمة ما بعد البيع وجهات الاتصال على موقعنا على الإنترنت: [www.2helpU.com](http://www.2helpU.com).

تفضل بزيارة [www.blackanddecker.ae](http://www.blackanddecker.ae) لتسجيل منتجك الجديد من بلاك أند ديكر والاطلاع على المنتجات الجديدة والعروض الخاصة. تتوفر المزيد من المعلومات حول شركة بلاك أند ديكر ومجموعة منتجاتنا على [www.blackanddecker.ae](http://www.blackanddecker.ae).







## Utilisation

Votre scie Black & Decker a été spécialement conçue pour scier du bois, du métal et du plastique. Cet outil a été conçu pour une utilisation exclusivement domestique.

## Consignes de sécurité

Consignes de sécurité concernant les outils électroportatifs



**Attention !** Lisez avec attention tous les avertissements et toutes les instructions. Le non-respect de cette consigne peut entraîner une électrocution, un incendie et/ou de graves blessures.

Conservez tous les avertissements et instructions pour référence ultérieure.

La notion d'« outil électroportatif » mentionnée par la suite se rapporte à des outils électriques raccordés au secteur (avec câble de raccordement) ou fonctionnant avec batterie (sans fil).

### 1. Sécurité de la zone de travail

- Maintenez la zone de travail propre et bien éclairée. Un lieu de travail en désordre ou mal éclairé augmente le risque d'accidents.
- N'utilisez pas les outils électroportatifs dans un environnement présentant des risques d'explosion ni en présence de liquides, gaz ou poussières inflammables. Les outils électroportatifs génèrent des étincelles risquant d'enflammer les poussières ou les vapeurs.
- Pendant l'utilisation d'un outil électroportatif, les enfants et autres personnes doivent rester éloignés. En cas d'inattention, vous risquez de perdre le contrôle de l'outil.

### 2. Sécurité électrique

- La prise de l'outil électroportatif doit convenir à la prise de courant. Ne modifiez en aucun cas la prise. N'utilisez pas de prises d'adaptateur avec des appareils ayant une prise de terre. Le respect de ces consignes réduit le risque de choc électrique.
- Évitez le contact physique avec des surfaces mises à la terre telles que tuyaux, radiateurs, fours et réfrigérateurs. Le risque de choc électrique augmente si votre corps est relié à la terre.

- N'exposez pas l'outil électroportatif à la pluie ni à l'humidité. La pénétration d'eau dans un outil électroportatif augmente le risque de choc électrique.
- Préservez le câble d'alimentation. N'utilisez pas le câble pour porter l'outil, pour l'accrocher ou encore pour le débrancher. Maintenez le câble éloigné des sources de chaleurs, des parties huilées, des bords tranchants ou des parties de l'appareil en rotation. Le risque de choc électrique augmente si les câbles sont endommagés ou emmêlés.
- Si vous utilisez l'outil électroportatif à l'extérieur, utilisez une rallonge homologuée pour utilisation à l'air libre. L'utilisation d'une rallonge électrique homologuée pour les travaux à l'extérieur réduit le risque de choc électrique.
- Si l'outil doit être utilisé dans un endroit humide, prenez les précautions nécessaires en utilisant un dispositif à courant résiduel (RCD). L'utilisation d'un tel dispositif réduit les risques d'électrocution.

### 3. Sécurité personnelle

- Restez vigilant, surveillez ce que vous faites. Faites preuve de bon sens quand vous utilisez un outil électroportatif. N'utilisez pas l'outil lorsque vous êtes fatigué ou après avoir consommé de l'alcool ainsi que des médicaments. Un moment d'inattention lors de l'utilisation de l'outil peut entraîner de graves blessures.
- Portez un équipement de protection. Portez toujours des lunettes de protection. Selon le travail à effectuer, le port d'équipement de protection tels que masque anti-poussières, chaussures de sécurité antidérapantes, casque ou protection auditive, réduit le risque de blessures.
- Évitez un démarrage imprévu. L'appareil doit être en position OFF (arrêt) avant d'effectuer le branchement à l'alimentation et/ou au bloc-batterie, de le ramasser ou de le porter. Ne laissez pas votre doigt sur le bouton de commande, ceci peut être à l'origine d'accidents.

- d. Retirez tout outil ou clé de réglage avant de mettre l'outil en marche. Une clé ou un outil se trouvant sur une partie en rotation peut causer des blessures.
- e. Adoptez une position confortable. Adoptez une position stable et gardez votre équilibre en permanence. Vous contrôlez ainsi mieux l'outil dans des situations inattendues.
- f. Portez des vêtements appropriés. Ne pas porter de vêtements flottants ou de bijoux. N'approchez pas les cheveux, vêtements ou gants des parties des pièces mobiles. Les vêtements amples, les bijoux ou les cheveux longs peuvent être attrapés dans les pièces en mouvement.
- g. En cas d'utilisation d'appareils servant à aspirer ou à recueillir les poussières, assurez-vous qu'ils sont correctement raccordés et utilisés. L'utilisation de tels appareils permet de réduire les dangers liés aux poussières.

#### 4. Utilisation des outils électroportatifs et précautions

- a. Respectez la capacité de l'outil. Utilisez l'outil électroportatif approprié pour le travail à effectuer. Avec un outil approprié, vous travaillerez mieux et en toute sécurité.
- b. N'utilisez pas un outil électroportatif dont l'interrupteur marche/arrêt est défectueux. Un outil électroportatif qui ne peut plus être mis en marche ou arrêté est dangereux et doit être réparé.
- c. Retirez la prise de courant et/ou débranchez le blocbatterie avant d'effectuer des réglages, de changer les accessoires ou de ranger l'outil. Cette mesure de précaution empêche de mettre l'outil en marche accidentellement.
- d. Rangez les outils électroportatifs hors de portée des enfants. Les personnes ne connaissant pas l'outil ou n'ayant pas lu ces instructions ne doivent en aucun cas l'utiliser. Les outils électroportatifs sont dangereux lorsqu'ils sont utilisés par des personnes non initiées.

- e. Prenez soin des outils électroportatifs. Vérifiez que les parties en mouvement fonctionnent correctement et qu'elles ne sont pas coincées. Vérifiez qu'il n'y a pas de pièces cassées ou endommagées susceptibles de nuire au bon fonctionnement de l'outil. S'il est endommagé, faites réparer l'outil avant de l'utiliser. De nombreux accidents sont la conséquence d'outils mal entretenus.
- f. Maintenez les outils de coupe aiguisés et propres. Des outils soigneusement entretenus avec des bords tranchants bien aiguisés se coincent moins souvent et peuvent être guidés plus facilement.
- g. Utilisez les outils électroportatifs, les accessoires, etc. en suivant ces instructions et en tenant compte des conditions de travail, ainsi que du travail à effectuer. L'utilisation des outils électroportatifs à d'autres fins que celles prévues peut vous mettre en situation dangereuse.

#### 5. Réparations

- a. Faites réparer votre outil électroportatif uniquement par du personnel qualifié et seulement avec des pièces de rechange d'origine. La fiabilité de l'outil sera ainsi garantie.

#### Consignes de sécurité supplémentaires concernant les outils électroportatifs



**Attention !** Consignes de sécurité supplémentaires pour scies sauteuses.

- Pour les découpes, tenez l'outil au niveau des surfaces de prise isolées. En effet, la lame risque de toucher un câblage caché ou le cordon d'alimentation de l'outil. En touchant un fil sous tension, la charge électrique est transmise dans les parties métalliques de l'outil et il y a risque de choc électrique.
- Utilisez des pinces ou autres pour fixer et soutenir la pièce de manière stable. Si vous la tenez à la main ou contre votre corps, elle ne sera pas stable et vous pouvez en perdre le contrôle.

- Éloignez vos mains des zones de découpe. Ne cherchez jamais à atteindre la pièce à découper par dessous. Ne passez pas vos doigts ou pouces à proximité de la fixation de la lame et de la lame en mouvement. Ne cherchez pas à stabiliser la scie en attrapant la semelle.
- Les lames doivent toujours être aiguisées. Les lames émoussées ou endommagées peuvent faire déraiper ou bloquer la scie pendant le fonctionnement. Utilisez toujours le type approprié de lame correspondant au matériau de la pièce à couper.
- Avant de couper un tuyau ou une conduite, assurez-vous qu'il n'y a ni eau, ni fil électrique, etc. autour.
- Ne touchez pas la pièce coupée ou la lame immédiatement après avoir utilisé l'outil. Elles peuvent être très chaudes.
- Prenez garde aux dangers cachés. Avant de couper des murs, des planchers ou des plafonds, vérifiez l'emplacement des câblages et tuyaux.
- Le mouvement de la lame continue après avoir relâché le bouton. Après avoir arrêté la scie, attendez que la lame se stabilise complètement avant de poser l'outil.

**Attention !** Tout contact ou inhalation de poussières pendant la coupe peut représenter un danger pour la santé de l'opérateur ainsi, qu'éventuellement, des personnes autour. Portez un masque contre la poussière spécialement conçu pour vous protéger des sciures et des fumées toxiques et veillez à ce que les personnes se trouvant à l'intérieur de la zone de travail ou y pénétrant soient également protégées.

- Ce manuel d'instruction décrit comment utiliser cet appareil. L'utilisation d'un accessoire ou d'une fixation, ou bien l'utilisation de cet appareil à d'autres fins que celles recommandées dans ce manuel d'instruction peut entraîner des blessures et/ou des dommages matériels.

## Sécurité pour autrui

- Cet outil ne peut être utilisé par des personnes (y compris des enfants) ayant des capacités mentales, sensorielles ou physiques réduites, ou celles manquant d'expérience et de connaissances, à moins qu'elles ne soient encadrées ou qu'elles n'aient été formées à l'utilisation de l'outil par une personne responsable de leur sécurité.
- Ne laissez jamais les enfants sans surveillance pour éviter qu'ils ne jouent avec cet outil.

## Vibration

La valeur d'émission de vibration déclarée dans la section Déclaration/Données techniques de conformité a été mesurée selon une méthode d'essai standard fournie par la norme EN 60745 et peut être utilisée pour comparer un outil à un autre. Elle peut aussi être utilisée pour une évaluation préliminaire à l'exposition.

**Attention !** Selon la manière dont l'outil est utilisé, la valeur d'émission de vibration pendant l'utilisation en cours de l'outil peut être différente de la valeur déclarée. Le niveau de vibration peut augmenter au-dessus du niveau établi.

Quand l'exposition aux vibrations est évaluée afin de déterminer les mesures de sécurité requises par la norme 2002/44/EC pour protéger les personnes utilisant régulièrement des outils électroportatifs, une estimation de l'exposition aux vibrations doit tenir compte des conditions actuelles d'utilisation et de la manière dont l'outil est utilisé. Il faut aussi tenir compte de toutes les pièces du cycle de fonctionnement comme la durée pendant laquelle l'outil est arrêté et quand il fonctionne au ralenti, ainsi que la durée du déclenchement.

## Étiquettes sur les outils



**Attention !** Pour réduire le risque de blessures, l'utilisateur doit lire les instructions du manuel.

## Sécurité électrique



Cet outil est doublement isolé; par conséquent, aucun câble de masse n'est nécessaire. Vérifiez si

l'alimentation mentionnée sur la plaque signalétique de l'appareil correspond bien à la tension présente sur le lieu.

- Si le câble d'alimentation est endommagé, il doit être remplacé par le fabricant ou par un centre de réparation agréé Black & Decker pour éviter tout risque.

## Consignes de sécurité supplémentaires pour piles nonrechargeables

- En aucun cas, n'essayez d'ouvrir l'appareil.
- Ne le rangez pas dans des endroits où la température peut dépasser 40 °C.
- Pour jeter les batteries, suivez les instructions données dans la section « Protection de l'environnement ».
- Ne jetez pas les piles au feu.
- Dans des conditions extrêmes, une pile peut couler. Si vous repérez des traces de liquide sur les piles, effectuez ce qui suit :
  - Avec un chiffon, essuyez le liquide en prenant toutes les précautions nécessaires. Éviter tout contact avec la peau.

## Consignes de sécurité supplémentaires pour utilisation du laser



Lisez attentivement le manuel complet.



Cet appareil ne doit pas être utilisé par des enfants de moins de 16 ans.



Rayonnement laser.



Ne jamais regarder le faisceau à l'oeil nu.



Ne jamais utiliser d'instrument d'optique pour regarder le faisceau.

- Ce laser est conforme aux normes de sécurité EN 60825-1:2007 de classe 2. Ne jamais remplacer une diode laser par une diode d'un type différent. Si le laser est endommagé, faites le un réparateur agréé.
- N'utilisez jamais le laser à des fins autres que la projection de raies laser.
- La vision directe du rayon laser de classe 2 n'est pas considérée comme dangereuse jusqu'à 0,25 secondes. La protection de l'oeil est normalement assurée par le réflexe de clignement. À plus de 1m, le rayonnement laser correspond au laser de classe 1 et ne présente aucun risque.
- Ne jamais regarder directement et volontairement le rayon laser.
- Ne jamais utiliser d'instrument d'optique pour regarder le faisceau.
- Installez l'outil en prenant soin d'éviter que le rayon laser ne puisse atteindre personne à la hauteur de la tête.
- Ne laissez pas les enfants approcher du laser

## Options

1. Bouton de commande de variation de vitesse
2. Manette marche/arrêt
3. Bouton de verrouillage
4. Couvercle du boîtier de rangement des lames
5. Levier de verrouillage de semelle
6. Sortie de refoulement de poussière
7. Semelle
8. Rouleau de support de lame
9. Sélecteur de balancier



## Options supplémentaires (figure A)

Des options supplémentaires peuvent exister en fonction de l'appareil acheté. Ces options accompagnées du numéro de catalogue sont représentées dans la figure A.

## Assemblage

**Attention !** Avant d'exécuter ce qui suit, assurez-vous que l'appareil est éteint, débranché et que la lame n'est plus en mouvement. Les lames, après utilisation, peuvent être chaudes.

## Mise en place et retrait de la lame de scie (figure B et C)

**Attention !** Avant d'exécuter ce qui suit, assurez-vous que l'appareil est éteint, débranché et que la lame n'est plus en mouvement. Les lames, après utilisation, peuvent être chaudes.

## Mise en place de la lame (figure B)

- Maintenez la lame (10) comme indiqué, avec les dents orientées vers l'avant.
- Poussez et maintenez la fixation de lame (11).
- Insérez la tige de la lame dans le support de lame (12) le plus loin possible.
- Relâchez la fixation de lame (11).

## Rangement de la lame (figure C)

Les lames de scie (10) peuvent être rangées dans le boîtier de rangement (4) sur le côté de l'outil.

- Ouvrez le couvercle du boîtier de rangement (4) en poussant la patte sur le haut du couvercle vers l'extérieur.

- Les lames sont maintenues dans le compartiment par une bande magnétique. Appuyez sur une extrémité de la lame pour soulever l'autre extrémité et la retirer.
- Fermez le couvercle du boîtier de rangement (4) et vérifiez le verrouillage.

**Attention !** Fermez correctement le couvercle avant d'utiliser la scie.

## Raccordement d'un aspirateur à l'outil (figure D)

Il faut un adaptateur (13) pour connecter l'aspirateur ou le récupérateur de poussière à l'outil.

- Poussez l'adaptateur (13) dans la sortie de refoulement de poussière (6).
- Raccordez le tuyau d'aspirateur (14) à l'adaptateur (13).

## Soufflante (figure E)

- Pour que la visibilité soit toujours parfaite pendant la coupe, votre scie est équipée d'une soufflante (15) qui évacue la poussière de la zone de travail tout en sciant.

## Risques résiduels

L'utilisation d'un outil non mentionné dans les consignes de sécurité données peut entraîner des risques résiduels supplémentaires. Ces risques peuvent survenir si l'outil est mal utilisé, si l'utilisation est prolongée, etc.

Malgré l'application des normes de sécurité correspondantes et la présence de dispositifs de sécurité, les risques résiduels suivants ne peuvent être évités. Ceci comprend :

- Les blessures dues au contact avec une pièce mobile/en rotation.
- Les blessures causées en changeant des pièces, lames ou accessoires.
- Les blessures dues à l'utilisation prolongée d'un outil. Une utilisation prolongée de l'outil nécessite des pauses régulières.

- Déficience auditive.
- Risques pour la santé causés par l'inhalation de poussières produites pendant l'utilisation de l'outil (exemple : travail avec du bois, surtout le chêne, le hêtre et les panneaux en MDF).

## Utilisation

### Réglage de semelle pour coupe en biais (figure F et G)

**Attention !** N'utilisez jamais l'outil sans la semelle, ou si celle-ci est desserrée.

La semelle (7) peut être réglée pour un angle de biseau gauche ou droit allant jusqu'à 45 °.

- Tirez le levier de verrouillage de la semelle (5) vers l'extérieur pour déverrouiller la semelle (7) de la position 0 °.
- Tirez la semelle (7) vers l'avant et réglez le biseau sur 15 °, 30 ° et 45 ° comme indiqué.
- Repoussez le levier de verrouillage (5) vers la scie pour verrouiller la semelle (7).

Pour remettre la semelle (7) en position de coupe droite :

- Tirez le levier de verrouillage (5) vers l'extérieur pour déverrouiller la semelle (7).
- Installez la semelle (7) dans un angle d'environ 0 °, puis poussez-la vers l'arrière.
- Repoussez le levier de verrouillage (5) vers la scie pour verrouiller la semelle (7).

### Réglage du balancier (figure H)

- Sélectionnez la position requise sur le sélecteur de balancier (9).
- Position 0 : métal et aluminium et tôle.
- Position I : aggloméré, bois dur, plans de travail.

- Position II : contreplaqué et plastique/PVC.
- Position III : bois tendre et coupe rapide.

### Commande de variation de vitesse

- Réglez le bouton de commande de variation de vitesse (1) à la vitesse désirée.
- La vitesse rapide correspond à la coupe du bois, la vitesse moyenne à la coupe de l'aluminium et du PVC et la faible vitesse à la coupe des métaux autres que l'aluminium.

### Démarrer et arrêter

- Pour mettre l'outil en marche, appuyez sur le bouton marche/arrêt (2).
- Pour arrêter l'outil, relâchez le bouton marche/arrêt (2).
- Pour une coupe continue, appuyez sur le bouton de verrouillage (3) et relâchez le bouton marche/arrêt (2).
- Pour arrêter l'outil pendant une coupe continue, appuyez puis relâchez le bouton marche/arrêt (2).

### Scier

Tenez fermement l'outil avec les deux mains pendant la découpe.

La semelle (7) doit s'appuyer fermement contre la pièce à découper. Ceci permet d'éviter les sursauts de la scie, de réduire les vibrations et de diminuer la casse des lames.

- Laissez la lame fonctionner librement pendant quelques secondes avant de commencer la découpe.
- N'appliquez qu'une légère pression sur l'outil pendant la découpe.

## Utilisation du laser (figure I - L) (référence KS900EL uniquement)

### Installation des piles (figure I)

Dévissez la vis (16) et retirez le module laser (17) en le tirant vers l'avant. Insérez dans le bon sens, (+) et (-), les deux nouvelles piles 1,5 V AAA. Refixez le module laser (17).

### Réglage du laser (figure J)

**Remarque :** le laser facilite le travail de coupe mais ne garantit pas la précision.

**Attention !** N'ajustez pas le laser avec la scie sauteuse branchée.

- Utilisez la vis de réglage (18) sur le module laser pour aligner la ligne laser avec la lame, si nécessaire.

Le laser sera moins visible en cas de surchauffe de la scie. Le laser peut être invisible si la scie est en surcharge pendant une période prolongée. Il réapparaît progressivement quand l'outil refroidit, même quand l'outil est débranché.

**Attention !** Ne pas laisser un laser surchauffé en marche.

Assurez-vous que l'interrupteur est en position OFF (arrêt) et retirez les piles pour ne plus alimenter le laser.

### Fonctionnement du laser (figure K - L)

Le laser projette la ligne de coupe (21) sur la surface de la pièce.

- Pour mettre le laser en marche, appuyez sur le bouton (19).
- Pour arrêter le laser, appuyez de nouveau sur le bouton (19).

En regardant directement au-dessus de la scie, il est facile de suivre la ligne de coupe (21). Si, pour une raison quelconque le rayon n'est pas visible, le laser peut être utilisé comme guide de coupe auxiliaire.

- Utilisez un crayon pour repérer la ligne de coupe (20).
- Positionnez la scie sur la ligne (20).
- Mettez en marche le laser.

## Conseils pour une utilisation optimale

### Coupe de contreplaqué

Les éclats dus à la découpe du contreplaqué, peuvent endommager la surface apparente. La plupart des lames coupent en montant. Si la semelle est posée sur la surface apparente, utilisez une lame qui coupe en descendant ou :

- Utilisez une lame à dents fines.
- Sciez à partir de l'arrière de la pièce.
- Pour limiter les éclats, serrez un morceau de bois ou de panneau dur des deux côtés de la pièce et sciez à travers cette épaisseur.

### Coupe du métal

Scier du métal prend beaucoup plus de temps que de scier du bois.

- Utilisez une lame adaptée à la coupe de métal.
- Pour couper une fine épaisseur de métal, serrez une pièce de bois à l'arrière de la pièce à couper et sciez à travers l'épaisseur.
- Appliquez un filet d'huile le long de la ligne de coupe.

## Entretien

Votre outil Black & Decker a été conçu pour fonctionner pendant longtemps avec un minimum d'entretien. Un fonctionnement continu satisfaisant dépend d'un nettoyage régulier et d'un entretien approprié de l'outil.

- Nettoyez régulièrement les orifices de ventilation de votre outil à l'aide d'une brosse souple ou d'un chiffon sec.
- Nettoyez régulièrement le compartiment du moteur à l'aide d'un chiffon humide. N'utilisez pas de produit abrasif ou à base de solvant. Évitez toute pénétration de liquide dans l'outil et ne plongez aucune pièce dans du liquide.

## Remplacement d'une prise électrique

En cas d'installation d'une nouvelle prise:

- Jetez l'ancienne prise.
- Connectez le fil marron sur la borne sous tension de la nouvelle prise.
- Connectez le fil bleu sur la borne neutre.
- Si le produit est de classe I (terre), connecter le fil vert / jaune sur la borne terre.

**Attention!** Si votre produit est de classe II avec double isolation (seulement 2 fils dans le cordon électrique), il n'y a aucune connexion à faire sur la borne terre.

Suivez les instructions de montage fournies avec les prises de bonne qualité

Tout fusible de rechange doit être du même calibre que le fusible d'origine fourni avec le produit.

## Batteries



Quand les batteries sont hors d'usage, jetez-les en respectant les normes de protection de l'environnement.

- Ne court-circuitez pas les bornes de la batterie.
- Ne jetez pas la ou les batteries dans le feu, elles pourraient exploser ou être à l'origine d'un risque de blessure.
- Déchargez complètement la batterie, puis retirez-la de l'appareil.
- Les batteries sont recyclables. Placez la ou les batteries dans un emballage approprié pour éviter un court-circuit des bornes. Déposez-les chez un technicien d'entretien agréé ou dans un centre de recyclage local.

## Caractéristiques techniques

	KS900E KS900EL	
Tension	Vac	220-240
Puissance nominale	W	600
Aucune vitesse de charge	min-1	800-3000
Profondeur maximum de coupe		
Bois	mm	85
Acier	mm	5
Aluminium	mm	15
Poids	kg	2,36
(avec laser)	kg	2,66

## Protection de l'environnement



Collecte séparée. Ce produit ne doit pas être jeté avec les déchets domestiques normaux.

Si vous décidez de remplacer ce produit Black & Decker, ou si vous n'en avez plus l'utilité, ne le jetez pas avec vos déchets domestiques. Rendez-le disponible pour une collecte séparée.

- Black & Decker fournit un dispositif permettant de collecter et de recycler les produits Black & Decker lorsqu'ils ont atteint la fin de leur cycle de vie. Pour pouvoir profiter de ce service, veuillez retourner votre produit à un réparateur agréé qui se chargera de le collecter pour nous.
- Pour connaître l'adresse du réparateur agréé le plus proche de chez vous, contactez le bureau Black & Decker à l'adresse indiquée dans ce manuel. Vous pourrez aussi trouver une liste des réparateurs agréés de Black & Decker et de plus amples détails sur notre service après-vente sur le site Internet à l'adresse suivante : [www.2helpU.com](http://www.2helpU.com)

## Garantie

Lorsqu'un appareil Black & Decker s'avère defectueux en raison d'un défaut matériel ou de fabrication dans les 12 mois à compter de la date d'achat, Black & Decker garantit le remplacement des pièces défectueuses ou de l'appareil afin de minimiser les désagréments causés au client, à l'exclusion des cas suivants:

- Utilisation abusive de l'appareil ou appareil endommagé à cause de négligence.
- Appareil endommagé par d'autres appareils, des substances ou par accident.
- Réparations effectuées par des personnes autres qu'un réparateur agréé ou le service technique de Black & Decker.

Pour avoir recours à la garantie, il est nécessaire de fournir une preuve d'achat à votre revendeur ou à un réparateur agréé. Pour connaître l'adresse du réparateur agréé le plus proche, contactez le bureau Black & Decker à l'adresse indiquée dans ce manuel. Vous pouvez aussi trouver une liste des réparateurs agréés Black & Decker et de plus amples détails sur notre service après-vente en visitant notre site: [www.2helpU.com](http://www.2helpU.com).

Visitez notre site Web [www.blackanddecker.ae](http://www.blackanddecker.ae) pour enregistrer votre nouveau produit Black & Decker et être informé des nouveaux produits et des offres spéciales. Pour plus d'informations concernant la marque Black & Decker et notre gamme de produits, consultez notre site [www.blackanddecker.ae](http://www.blackanddecker.ae)

## Names & Addresses for Black & Decker Service Concessionaries

**ALGERIA:** Sarl Outillage Corporation, 08 Rue Med Boudiaf - Cheraga - Algiers, Algeria. Tel: (213-21) 375130, Fax: (213-21) 369667. **AZERBAIJAN:** Royallon Holdings Ltd. 41 Khagani St. Apt. 47 AZ 1001, Baku. Tel: (994-12) 4935544, Fax: (994-12) 5980378. **BAHRAIN:** Alfouz Services Co. WLL., P.O. Box 26562, Tubli, Manama. Tel: (973) 17783562, Fax: (973) 17783479. **EGYPT:** El-Farab S.A.E 15 - Nabil El Wakkad Street, Dokki, Giza. Tel: (202) 37603946, Fax: 33352796. **ETHIOPIA:** Seif Tewfik Sherif, Arada Sub-City, Kebele 01/02, Global Insurance Building, 2nd Floor, Room 43, P.O. Box 2525, Addis Ababa, Ethiopia. Tel: (251-11) 1563968/ 1563969, Fax: (251-11) 1558009. **IRAQ:** Al Sard Co. for General Trading Ltd. Jbara Bldg. 3Flr, Al Rasheed St. Bagdad. Tel: (964) 18184102. Sakhar Group, Arrassat al-hindya Al Masbah, Bagdad. (964) 7400144446. **JORDAN:** Palestine Bldg. Matl. (Bashiti Hardware), 93 King Abdullah 2nd Street, Opp. ELBA House, P.O. Box 3005, Amman 11953, Tel: (962-6) 5349098, Fax: (962-6) 5330731. **KENYA:** Dextron Tools Ltd., P.O. Box 20121-00200, Sharifi House, Kimathi Street, Nairobi. Tel: (254-20) 6905000/ 2358021, Fax: (254-20) 6905111/ 6905112. **KUWAIT:** Al Omar Technical Co., P.O. Box 4062, 13041 Safat, Kuwait. Tel: (965) 24848595/ 24840039, Fax: (965) 24845652. Fawaz Al Zayani Establishment, P.O. Box 42426, Shop No. 18, Al Humaizi Commercial Complex, Khalifa Al Jassim, Shuwaikh, Kuwait. Tel: (965) 24828710, Fax: (965) 24828716. **LEBANON:** Est. Shaya & Azar S.A.R.L., Boulvard, Jdeideh, Mar Takla-Bouchrieh, P.O. Box 90545, Jdeideh, Beirut. Tel: (961-1) 872305/ 872306, Fax: (961-1) 872303. **LIBYA: (Benghazi)** Sniydel st., Amr Ibn EL-Aas Rd. Tel: (+218) 92 5771120. **(Tripoli)** Al Barniq Service Center, Mokhazin eluskar st., Elfallah. Tel: (+218) 21 4808019. **(Misrata)** Al Hilal Service Center, Tawergha st. Tel: (+218) 51 2626743. **MAURITIUS:** Robert le Marie Limited, Old Moka Road, Bell Village, P.O. Box 161, Port Louis. Tel: (230) 2121865/ 2122847, Fax: (230) 2008043. **MOROCCO:** Els. Louis Guillaud & Cie, 31, Rue Pierre Parent, Casablanca-21000. Tel: (+212) 522 305971, Fax: (+212) 522 444518. **NIGERIA:** Meridian Power Tools Ltd., Gr. Floor, #1 Alhaji Masha Road, Next to Teslim Balogun Stadium, Near National Stadium, Surulere, Lagos. Tel: (234-1) 7740431/ 7740410, Fax: (234-1) 7913798. **OMAN:** Al Jizzi Company LLC, P.O. Box 1704, P.C. 112 Ruwi, Oman. Tel: (968) 24832618/ 24835153, Fax: (968) 24831334. Al Hassan Technical & Construction Supplies Co. LLC., P.O. Box 1948, P.C. 112, Ruwi, Oman. Tel: (968) 24810575/ 24837054, Fax: (968) 24810277/ 248333080. Khimji Ramdas, P.O. Box 19, Post Code 100, Ghala, Muscat, Oman. Tel: (968) 24595906/ 907, Fax: (968) 24852752. Oman Hardware Co. LLC., P.O. Box 635, Ruwi-112. Tel: (968) 24815131, Fax: (968) 24816491. Oman Marketing & Service Co. (Omasco), P.O. Box 2734, Behind Honda Showroom, Wattayah, Oman. Tel: (968) 24560232/ 24560255, Fax: (968) 24560993. Oman Marketing & Service Co. (Omasco), Al Ohi, Sohar, Oman. Tel: (968) 26846379, Fax: (968) 26846379. Oman Marketing & Service Co. (Omasco), Sanaya, Salalah, Oman. Tel: (968) 23212290, Fax: (968) 23210936. **PAKISTAN:** Ammar Service & Spares, 60-Bank Arcade, Serai Road, Karachi, Pakistan. Tel: (92-21) 32426905, Fax: (92-21) 32427214. ZIT Co., Nasir & Bros., 2nd Floor, Qadri Center, Chowk Dalgran, Railway Road, Lahore. Tel: (92-42) 37670839, Fax: (92-42) 37652989. **QATAR:** Al Mufthah Service Centre, Al Wakrah Road, P.O. Box 875, Doha, Qatar. Tel: (974) 4650880/ 4650110/ 4446868, Fax: (974) 4441415/ 4662599. Shaheen Electrical Works & Trading Co. WLL., Gate 34, St.14 Industrial Area, P.O. Box 9756, Doha. Tel: (974) 4600230/ 4600525, Fax: (974) 4601338. Teyseer Industrial Supplies & Services Co. WLL., 55, Al Wakalat St. (Between St. 18 & 19) Salwa Industrial Area, P.O. Box 40523, Doha, Qatar. Tel: (974) 4581536, Fax: (974) 4682024. **SAUDI ARABIA: (Al Bahr)** Mohamed Ahmed Bin Aff Est., P.O. Box 530, Yanbu, Al Bahr. Tel: (966-4) 3222626/ 3228867, Fax: (966-4) 3222210. **(Al Khobar)** Fawaz Ebrahim Al Zayani Trading Est., P.O. Box 76026, Al Khobar # 31952, Tel: (966-3) 8140914, Fax: (966-3) 8140824. MSS (Al-Mojil Supply & Services) P.O. Box 450, Jubail 31951, Opp. Gulf Bridge Library & Riyadh House. Tel: (966-3) 3612850/ 3624487/ 3621729, Fax: (966-3) 3623589/ 3620783. **(Dammam)** Al Bawardi Tools & Hardware, P.O. Box 112, Dammam 31411. Tel: (966-3) 8330780/ 8348585 ext. 24, Fax: (966-3) 8336303. **(Jeddah)** Al Bawardi Tools & Hardware, P.O. Box 16905, Jeddah-21474. Tel: (966-2) 6444547, Fax: (966-2) 6439024. EAC (Al Yousef Contg. & Trdg. Est.), P.O. Box 30377, Jeddah -21477, Tel: (966-2) 6519912, Fax: (966-2) 6511153. **(Madina)** Garziz Trading for Bldg Mat & Decoration, P.O. Box 3364, Madina. Tel: (966-4) 8261490/ 8227636, Fax: (966-4) 8265741. **(Riyadh)** Al Bawardi Tools & Hardware, P.O. Box 68, Riyadh 11411. Tel: (966-1) 4484999, Fax: (966-1) 4487877. Industrial Material Organization (IMO), P.O. Box 623, Rail Street, Riyadh. Tel: (966-1) 4028010, Fax: (966-1) 4037970. Sulatn Garment factory (RSC), P.O. Box 29912, Riyadh 11467. Tel: (966-1) 4055148/ 4042889, Fax: (966) 4055148. **SOUTH AFRICA:** Trecco Power Tool Service 14 Steenbok Street, Koedoespoort, 0186, Pretoria, South Africa. Tel: (27-86) 1873826, Fax: (27-86) 5001771. **TANZANIA:** General Motors investment Ltd., P.O. Box 16541, 14 Nyerere Road, Vingunguti, Dar-es-Salaam. Tel: (255 22) 2862661/ 2865022, Fax: (255 22) 2862667. **TUNISIA:** Societe Tunisienne De Maintenance (STM), Rue de la Physique. Nouvelle Zone Industrielle Ben Arous., 2013 Ben Arous, Tunisia. Tel: (+216) 71 389687, Fax: (+216) 71 385154. **UAE: (Abu Dhabi)** Light House Electrical, P.O. Box 120, Abu Dhabi, Tel: (971-2) 6726131, Fax: (971-2) 6720667. **(Ajman)** Al Sukoon Gen. Trdg. Co. LLC, P.O. Box 2975, Ajman. Tel: (971-6) 7435725/ 7438317, Fax: (971-6) 7437350. **(Al Ain)** Zillion Equipment and Spare Parts Trading LLC, P.O. Box 19740, Opp. Bin Sadal/ Trimix Redymix Sanaiya, Al Ain. Tel: (971-3) 7216690, Fax: (971-3) 7216103. **(Dubai)** Alebrah Engineering Service, P.O. Box 78954, Al Qusais, Dubai. Tel: (971-4) 2850044, Fax: (971-4) 2844802. Black & Decker (Overseas) GmbH, P.O. Box 5420, Dubai, Tel: (971-4) 8127400/ 8127406, Fax: (971-4) 2822765. Ideal Star Workshop Eqpt. trading LLC, P.O. Box 37110, Al Quoz, Dubai. Tel: (971-4) 3474160, Fax: (971-4) 3474157. **(Musaffah)** Light House Electrical, P.O. Box 120, Abu Dhabi, Tel: (971-2) 5548315, Fax: (971-2) 5540461. **(Sharjah)** Mc Coy Middle East LLC, P.O. Box 25793, Sharjah, Tel: (971-6) 5395931, Fax: (971-6) 5395932. Burj Al Madeana, Industrial Area No.1, Opp. Pakistani Masjid, P.O. Box 37635, Sharjah. Tel: (971-6) 5337747, Fax: (971-6) 5337719. **(Ras Al Khaimah)** Mc Coy Middle East LLC, P.O. Box 10584, Ras Al Khaimah, Tel: (971-7) 2277095, Fax: (971-7) 2277096. **UGANDA:** The Building Center (U) Ltd., 52 Station Road, Kitgum House, P.O. Box 7436, Kampala, Uganda. Tel: (256-41) 4234567/ 4259754, Fax: (256-41) 4236413. **YEMEN: (Aden)** Middle East Trad. Co. Ltd. (METCO), Mualla Dakka, Aden, Yemen. Tel: (967-2) 222670, Fax: (967-2) 222670. **(Sana'a)** Middle East Trad. Co. Ltd. (METCO), Hayel St., Sana'a, Yemen. Tel: (967-1) 204201, Fax: (967-1) 204204. **(Taiz)** Middle East Trading Co. (METCO), P.O. Box 12363, 5th Flr, Hayel Saeed Anam Bldg, Al-Mugamma St. Taiz, Yemen. Tel: (967-4) 213455, Fax: (967-4) 219869.



WARRANTY REGISTRATION CARD

YOUR NAME/ الإسم -----  
-----

YOUR ADDRESS العنوان -----  
-----  
-----  
-----

POSTCODE الرمز البريدي -----

DATE OF PURCHASE تاريخ الشراء -----

DEALER'S NAME & ADDRESS/ إسم و عنوان البائع -----  
-----  
-----

A large, empty rounded rectangular box intended for a signature or stamp.

PRODUCT MODEL NO. KS900E / KS900EL

