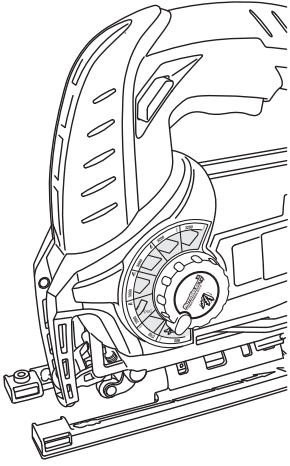
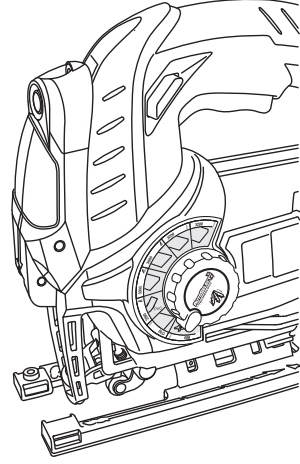


KS900S
KS900SL
KS950SL

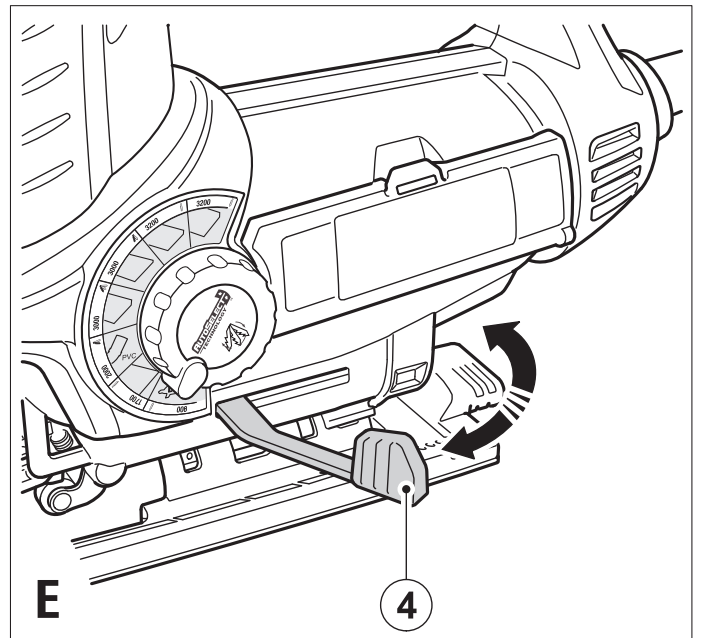
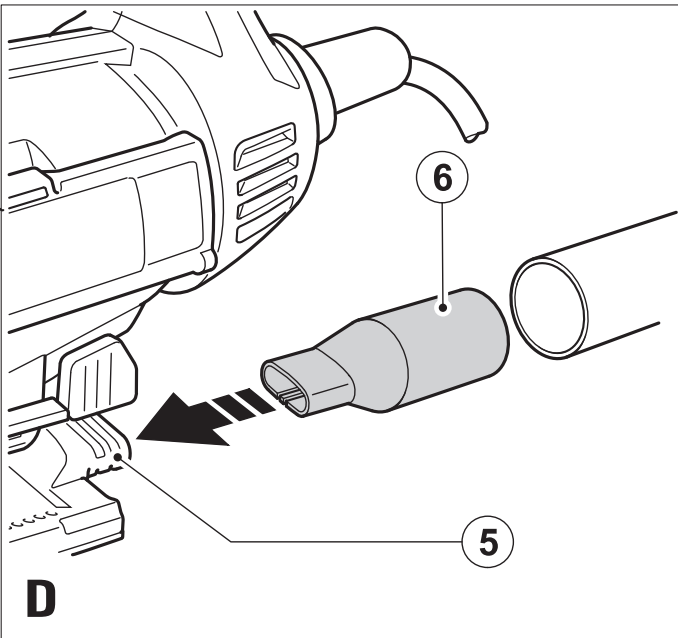
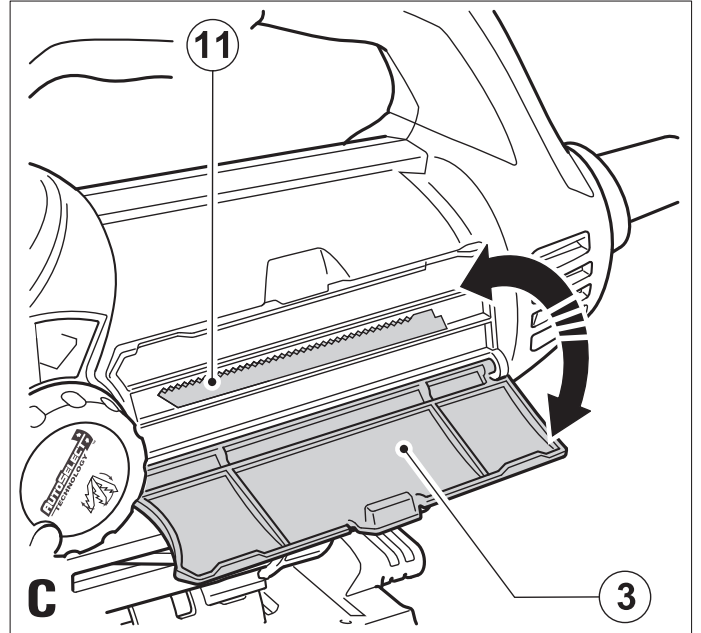
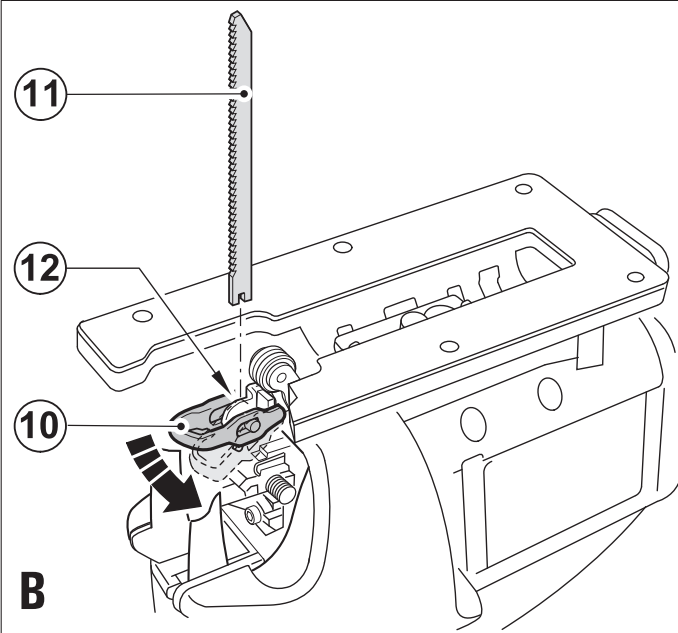
English	(Original instructions)	6
Deutsch	(Übersetzung der Originalanleitung)	14
Français	(Traduction des instructions d'origine)	23
Česky	(Přeloženo z původního návodu)	31
Magyar	(Fordítás az eredeti kezelési utasítás alapján készült)	39
Polski	(Tłumaczenie oryginalnej instrukcji)	49
Slovenčina	(Preložené z pôvodného návodu)	58
Русский язык	(Перевод с оригинала инструкции)	66
Українська	(Переклад оригінальних інструкцій)	76
Türkçe	(Çevirisi orijinal talimatlardan yapılmıştır)	86

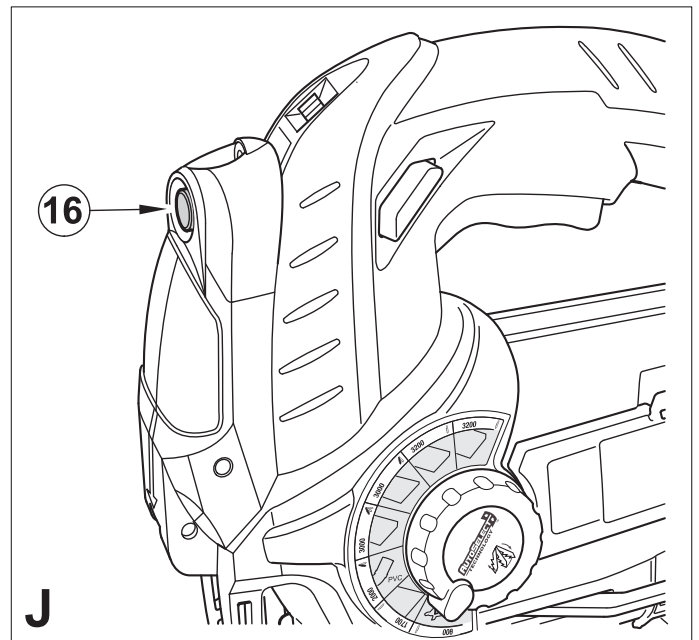
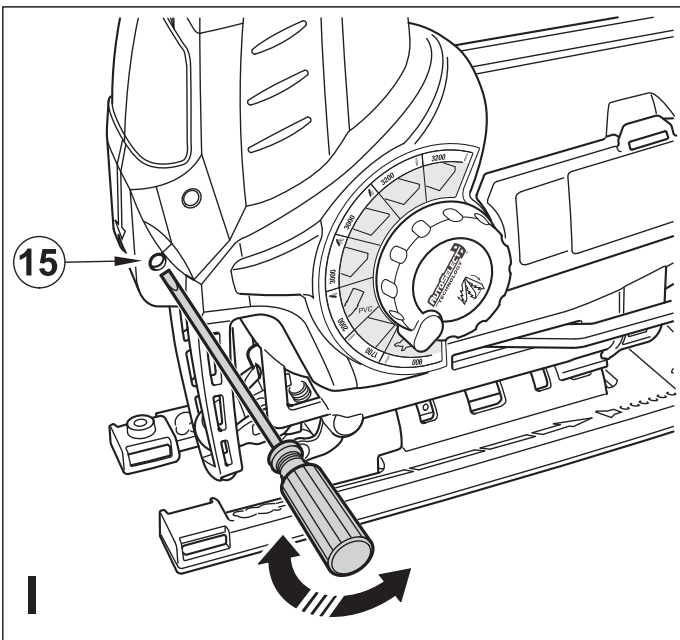
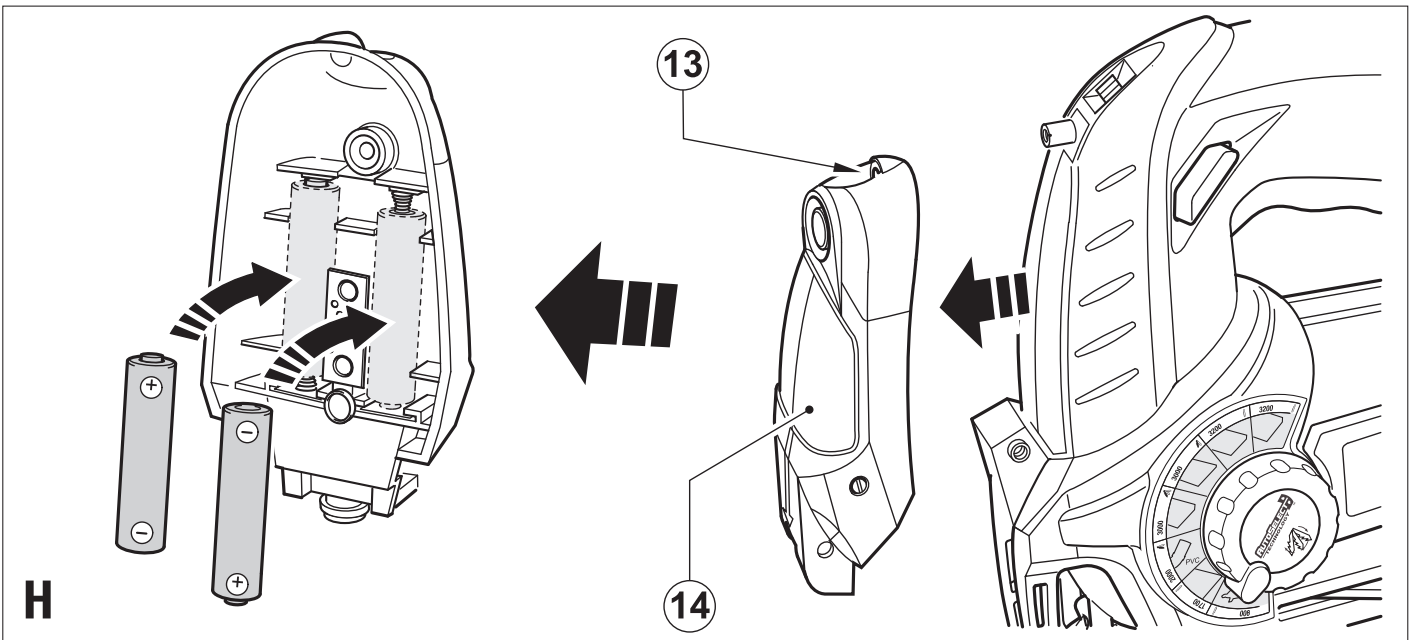
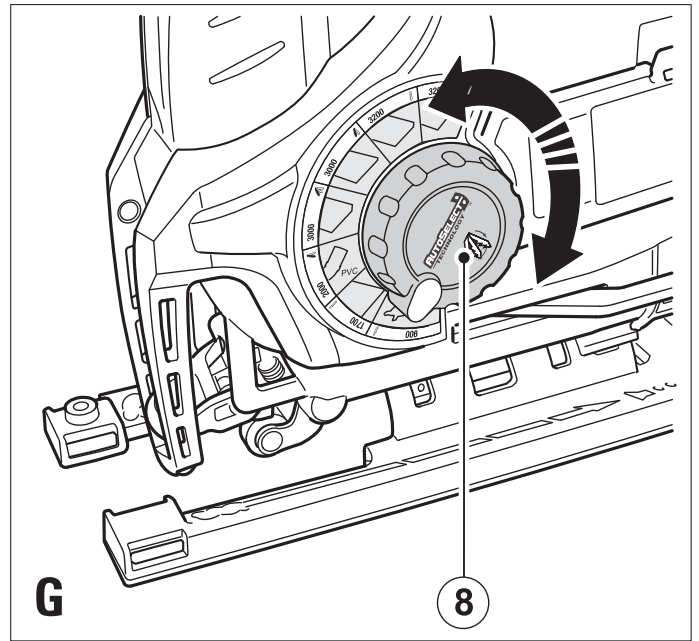
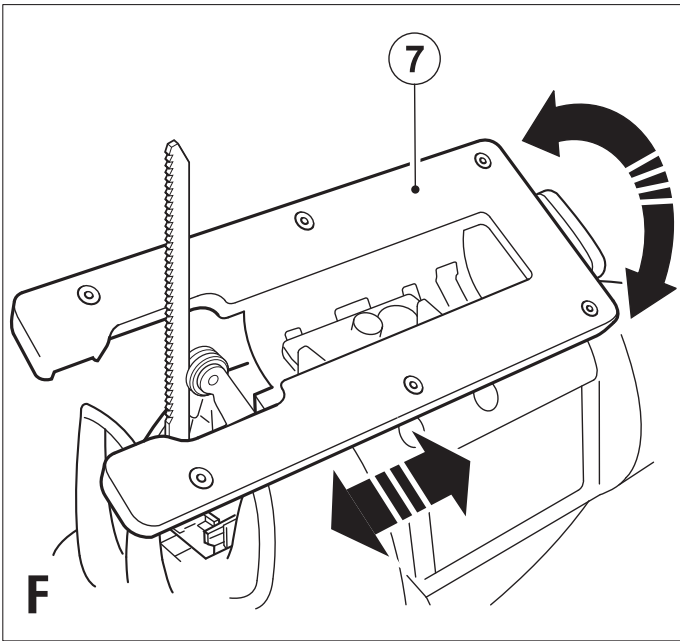


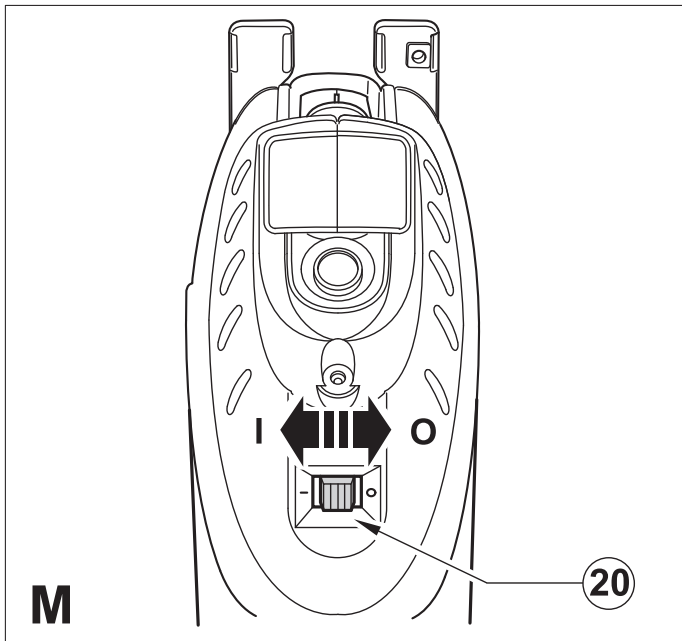
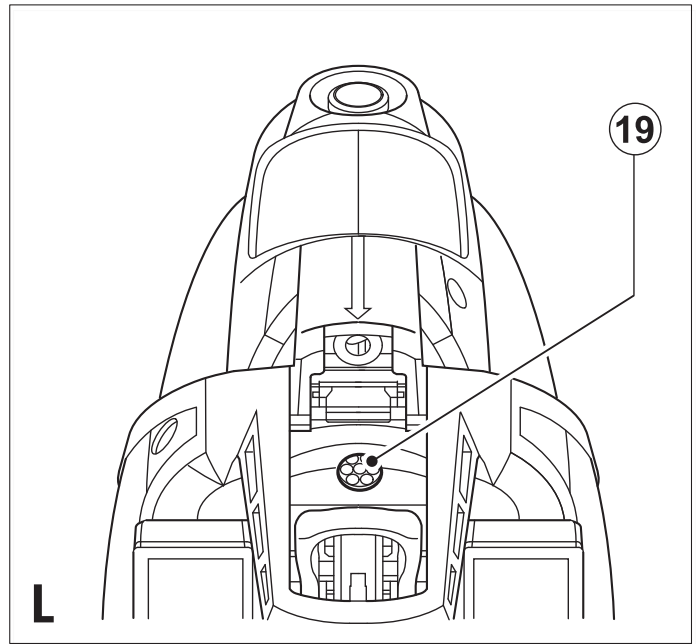
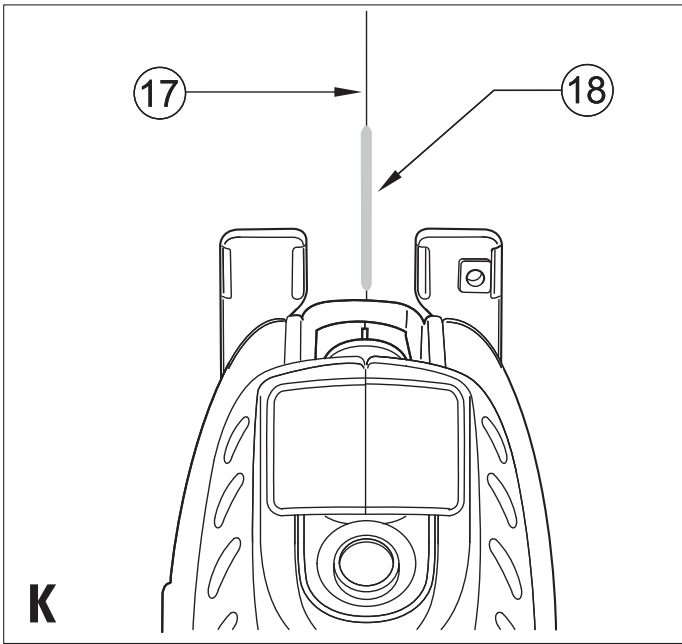
A KS900S



KS900SL
KS950SL







Intended use

Your Black & Decker jigsaw has been designed for sawing wood, plastics and metal. This tool is intended for consumer use only.

Safety instructions

General power tool safety warnings



Warning! Read all safety warnings and all instructions. Failure to follow all instructions may result in electric shock, fire and/or serious injury.

Save all warnings and instructions for future reference. The term “power tool” in all of the warnings listed below refers to your mains operated (corded) power tool or battery operated (cordless) power tool.

1. Work area safety

- a. **Keep work area clean and well lit.** Cluttered and dark areas invite accidents.
- b. **Do not operate power tools in explosive atmospheres, such as in the presence of flammable liquids, gases or dust.** Power tools create sparks which may ignite the dust or fumes.
- c. **Keep children and bystanders away while operating a power tool.** Distractions can cause you to lose control.

2. Electrical safety

- a. **Power tool plugs must match the outlet. Never modify the plug in any way. Do not use any adapter plugs with earthed (grounded) power tools.** Unmodified plugs and matching outlets will reduce risk of electric shock.
- b. **Avoid body contact with earthed or grounded surfaces such as pipes, radiators, ranges and refrigerators.** There is an increased risk of electric shock if your body is earthed or grounded.
- c. **Do not expose power tools to rain or wet conditions.** Water entering a power tool will increase the risk of electric shock.
- d. **Do not abuse the cord. Never use the cord for carrying, pulling or unplugging the power tool. Keep cord away from heat, oil, sharp edges or moving parts.** Damaged or entangled cords increase the risk of electric shock.
- e. **When operating a power tool outdoors, use an extension cord suitable for outdoor use.**

Use of a cord suitable for outdoor use reduces the risk of electric shock.

- f. **If operating a power tool in a damp location is unavoidable, use a Residual Current Device (RCD) protected supply.** Use of an RCD reduces the risk of electric shock.
- #### 3. Personal safety
- a. **Stay alert, watch what you are doing and use common sense when operating a power tool. Do not use a power tool while you are tired or under the influence of drugs, alcohol or medication.** A moment of inattention while operating power tools may result in serious personal injury.
 - b. **Use personal protective equipment. Always wear eye protection.** Protective equipment such as dust mask, non-skid safety shoes, hard hat, or hearing protection used for appropriate conditions will reduce personal injuries.
 - c. **Prevent unintentional starting. Ensure the switch is in the off-position before connecting to power source and/or battery pack, picking up or carrying the tool.** Carrying power tools with your finger on the switch or energising power tools that have the switch on invites accidents.
 - d. **Remove any adjusting key or wrench before turning the power tool on.** A wrench or a key left attached to a rotating part of the power tool may result in personal injury.
 - e. **Do not overreach. Keep proper footing and balance at all times.** This enables better control of the power tool in unexpected situations.
 - f. **Dress properly. Do not wear loose clothing or jewellery. Keep your hair, clothing and gloves away from moving parts.** Loose clothes, jewellery or long hair can be caught in moving parts.
 - g. **If devices are provided for the connection of dust extraction and collection facilities, ensure these are connected and properly used.** Use of these devices can reduce dust related hazards.
- #### 4. Power tool use and care
- a. **Do not force the power tool. Use the correct power tool for your application.** The correct power tool will do the job better and safer at the rate for which it was designed.
 - b. **Do not use the power tool if the switch does not turn it on and off.** Any power tool

that cannot be controlled with the switch is dangerous and must be repaired.

- c. **Disconnect the plug from the power source and/or the battery pack from the power tool before making any adjustments, changing accessories, or storing power tools.** Such preventive safety measures reduce the risk of starting the power tool accidentally.
- d. **Store idle power tools out of the reach of children and do not allow persons unfamiliar with the power tool or these instructions to operate the power tool.** Power tools are dangerous in the hands of untrained users.
- e. **Maintain power tools. Check for misalignment or binding of moving parts, breakage of parts and any other condition that may affect the power tools operation. If damaged, have the power tool repaired before use.** Many accidents are caused by poorly maintained power tools.
- f. **Keep cutting tools sharp and clean.** Properly maintained cutting tools with sharp cutting edges are less likely to bind and are easier to control.
- g. **Use the power tool, accessories and tool bits etc. in accordance with these instructions, taking into account the working conditions and the work to be performed.** Use of the power tool for operations different from those intended could result in a hazardous situation.

5. Service

- a. **Have your power tool serviced by a qualified repair person using only identical replacement parts.** This will make sure that the safety of the power tool is maintained.

Additional power tool safety warnings



Warning! Additional safety warnings for jigsaws.

- ◆ **Hold power tool by insulated gripping surfaces, when performing an operation where the cutting accessory may contact hidden wiring or its own cord.** Cutting accessory contacting a “live” wire may make exposed metal parts of the power tool “live” and could give the operator an electric shock.
- ◆ **Use clamps or another practical way to secure and support the workpiece to**

a stable platform. Holding the work by hand or against your body leaves it unstable and may lead to loss of control.

- ◆ **Keep hands away from cutting area.** Never reach underneath the work piece any reason. Do not insert fingers or thumb into the vicinity of the reciprocating blade and blade clamp. Do not stabilize the saw by gripping the shoe.
- ◆ **Keep blades sharp.** Dull or damaged blades may cause the saw to swerve or stall under pressure. Always use the appropriate type of saw blade for the workpiece material and type of cut.
- ◆ **When cutting pipe or conduit, make sure that they are free from water, electrical wiring, etc.**
- ◆ **Do not touch the workpiece or the blade immediately after operating the tool.** They can become very hot.
- ◆ **Be aware of hidden hazards, before cutting into walls, floors or ceilings, check for the location of wiring and pipes.**
- ◆ **The blade will continue to move after releasing the switch.** Always switch the tool off and wait for the saw blade to come to a complete standstill before putting the tool down.

Warning! Contact with, or inhalation of dusts arising from cutting applications may endanger the health of the operator and possible bystanders. Wear a dust mask specifically designed for protection against dust and fumes and ensure that persons within or entering the work area are also protected.

- ◆ The intended use is described in this instruction manual. The use of any accessory or attachment or performance of any operation with this tool other than those recommended in this instruction manual may present a risk of personal injury and/or damage to property.

Safety of others

- ◆ This appliance is not intended for use by persons (including children) with reduced physical, sensory or mental capabilities, or lack of experience and knowledge, unless they have been given supervision or instruction concerning the use of the appliance by a person responsible for their safety.
- ◆ Children should be supervised to ensure that they do not play with the appliance.

Vibration

The declared vibration emission values stated in the technical data and the declaration of conformity have been measured in accordance with a standard test method provided by EN 60745 and may be used for comparing one tool with another. The declared vibration emission value may also be used in a preliminary assessment of exposure.

Warning! The vibration emission value during actual use of the power tool can differ from the declared value depending on the ways in which the tool is used. The vibration level may increase above the level stated.

When assessing vibration exposure to determine safety measures required by 2002/44/EC to protect persons regularly using power tools in employment, an estimation of vibration exposure should consider, the actual conditions of use and the way the tool is used, including taking account of all parts of the operating cycle such as the times when the tool is switched off and when it is running idle in addition to the trigger time.

Labels on tools



Warning! To reduce the risk of injury, the user must read the instruction manual.

Electrical safety



This tool is double insulated; therefore no earth wire is required. Always check that the power supply corresponds to the voltage on the rating plate.

- ◆ This appliance is not intended for use by young or infirm persons without supervision. Children must be supervised to ensure they do not play with the appliance.
- ◆ If the supply cord is damaged, it must be replaced by the manufacturer or an authorised Black & Decker Service Centre in order to avoid a hazard.

Additional safety instructions for non-rechargeable batteries

- ◆ Never attempt to open for any reason.
- ◆ Do not store in locations where the temperature may exceed 40°C.
- ◆ When disposing of batteries, follow the instructions given in the section "Protecting the environment".

Do not incinerate the batteries.

- ◆ Under extreme conditions, battery leakage may occur. When you notice liquid on the batteries, proceed as follows:
 - Carefully wipe the liquid off using a cloth. Avoid skin contact.

Additional safety instructions for lasers



Read all of this manual carefully.



This product is not to be used by children under 16.



Laser radiation.



Do not look into the laser beam.



Do not use optical tools to view the laser beam.

- ◆ This laser complies with class 2 according to EN60825-1:2007. Do not replace a laser diode with a different type. If the laser is damaged, have the laser repaired by an authorised repair agent.
- ◆ Do not use the laser for any purpose other than projecting laser lines.
- ◆ An exposure of the eye to the beam of a class 2 laser is considered safe for a maximum of 0.25 seconds. Eyelid reflexes will normally provide adequate protection. At distances greater than 1m, the laser complies with class 1 and is therefore considered completely safe.
- ◆ Never look into the laser beam directly and intentionally.
- ◆ Do not use optical tools to view the laser beam.
- ◆ Do not set up the tool where the laser beam can cross any person at head height.
- ◆ Do not let children come near the laser.

Features

1. Lock-on button
2. On/off switch
3. Blade storage compartment cover
4. Shoe plate locking lever
5. Dust extraction outlet
6. Dust extraction adaptor
7. Shoe plate
8. Auto Select™ dial
9. Blade support roller
10. Tool-free blade clamp

Additional features (fig. A)

Additional features may be applicable depending upon the product purchased. The additional features applicable to the catalogue number purchased are shown in fig. A.

Assembly

Warning! Before attempting any of the following operations, make sure that the tool is switched off and unplugged and that the saw blade has stopped. Used saw blades may be hot.

Fitting the saw blade (fig. B)

- ◆ Hold the saw blade (11) as shown, with the teeth facing forward.
- ◆ Push and hold the blade clamp (10) down.
- ◆ Insert the shank of the saw blade into the blade holder (12) as far as it will go.
- ◆ Release the blade clamp (10).

Saw blade storage (fig. C)

Saw blades (11) can be stored in the storage compartment located on the side of the tool.

- ◆ Open the cover (3) of the saw blade storage compartment by holding the tab on the top of the cover (3) and pulling it outward.
- ◆ The blades are retained in the compartment by a magnetic strip. To remove a blade, press down on one end of the blade to raise the other end, and remove.
- ◆ Close the cover (3) of the saw blade storage compartment and make sure that it is latched closed.

Warning! Close the compartment door securely before operating the saw.

Connecting a vacuum cleaner to the tool (fig. D)

An adaptor is required to connect a vacuum cleaner or dust extractor to the tool. The dust extraction adaptor (6) can be purchased from your local Black & Decker retailer.

- ◆ Push the adaptor (6) into the dust extraction outlet (5).
- ◆ Connect the vacuum cleaner hose to the adaptor (6).

Residual risks

Additional residual risks may arise when using the tool which may not be included in the enclosed safety warnings. These risks can arise from misuse, prolonged use etc.

Even with the application of the relevant safety regulations and the implementation of safety devices, certain residual risks cannot be avoided. These include:

- ◆ Injuries caused by touching any rotating/moving parts.
- ◆ Injuries caused when changing any parts, blades or accessories.
- ◆ Injuries caused by prolonged use of a tool. When using any tool for prolonged periods make sure you take regular breaks.
- ◆ Impairment of hearing.
- ◆ Health hazards caused by breathing dust developed when using your tool (example:- working with wood, especially oak, beech and MDF).

Use**Adjusting the shoe plate for bevel cuts (fig. E and F)**

Warning! Never use the tool when the shoe plate is loose or removed.

The shoe plate (7) can be set to a left or right bevel angle of up to 45°.

- ◆ Pull the shoe plate locking lever (4) outwards to unlock the shoe plate (7) from the 0 deg position (fig. E).
- ◆ Pull the shoe plate (7) forward and set the required bevel 15°, 30° and 45° indicated in the bevel angle window.
- ◆ Push the shoe plate locking lever (4) back towards the saw to lock the shoe plate (7).

To reset the shoe plate (7) for straight cuts:

- ◆ Pull the shoe plate locking lever (4) outwards to unlock the shoe plate (7).
- ◆ Set the shoe plate (7) to an angle of 0° and push the shoe plate backwards.
- ◆ Push the shoe plate locking lever (4) back towards the saw to lock the shoe plate (7).

How to use the Auto Select™ dial (fig. G)

This tool is fitted with a unique Auto Select™ Dial (8) to set the speed and the pendulum blade action for various cutting applications. To select the optimum speed and pendulum blade action for the type of material being cut, turn the dial (8) as shown in the table below:

	Icon	Application	Speed/ Pendulum	Blade Type
		Kitchen work surfaces, work tops, laminate board	Fast speed, No pendulum	General wood
		Scrolling/curves/craftwork, hardwoods, decking, flooring	Fast speed, No pendulum	Scrolling wood General wood
		Plywood and wood panels	Fast speed, medium pendulum	General wood
		General timber, soft wood, fast rip cutting	Fast speed, max pendulum	General wood
		Plastics, Perspex, PVC	Medium speed, medium pendulum	General purpose
		Sheet metal tin plate, ceramic tile, fibreglass sheet	Low speed, No pendulum	Metal or ceramic or fibreglass blade
		Slow speed, precision start	Slow speed, No pendulum	Choose the correct blade for the application

Switching on and off

- ◆ To switch the tool on, press the on/off switch (2).
- ◆ To switch the tool off, release the on/off switch (2).
- ◆ For continuous operation, press the lock-on button (1) and release the on/off switch (2).
- ◆ To switch the tool off when in continuous operation, press the on/off switch (2) and release it.

Sawing

Hold the tool firmly with both hands while cutting. The shoe plate (7) should be held firmly against the material being cut. This will help prevent the saw from jumping, reduce vibration and minimise blade breakage.

- ◆ Let the blade run freely for a few seconds before starting the cut.

- ◆ Apply only a gentle pressure to the tool while performing the cut.

Operating the laser (fig. H - K) ('L' units only)

Installing the batteries (fig. H)

Detach the laser module (14) from the jigsaw by removing the screw (13) and pulling the laser module forward. Insert two new 1.5 Volt AAA alkaline batteries, making sure to match the (+) and (-) terminals correctly. Re-attach the laser module (14).

Adjusting the laser side-to-side (fig. I)

Note: The laser is intended as a cutting aid and does not guarantee a precise cut.

Warning! Do not adjust the laser with the jigsaw plugged in.

- ◆ Use the laser adjustment screw (15) to align the laser line with the saw blade if needed.

The laser visibility (power) will be reduced if the jigsaw is overheated. The laser may not be visible when the saw is overloaded for a prolonged period of time. The laser visibility will gradually return to normal when the tool cools down even when the tool is unplugged.

Warning! Do not leave the overheated laser switched ON. Make sure that the switch is in the OFF position and remove the batteries to remove power from the laser.

Using the laser (fig. J and K)

The laser projects the line of cut (18) on to the surface of the workpiece.

- ◆ To switch the laser on, press the button (16).
- ◆ To switch the laser off, press the button (16) again.

Viewing from directly above the jigsaw, the line of cut (17) can be easily followed. Should this view be restricted for any reason, the laser can be used as an alternative cutting guide.

- ◆ Use a pencil to mark the cutting line (17).
- ◆ Position the jigsaw over the line (17).
- ◆ Switch on the laser.

Operating the work light (fig. L and M) ('W' units only)

Units that include a 'W' in the catalogue number are provided with an LED light (19) to illuminate the area around the blade.

- ◆ To switch the work light on, slide the switch (20) to the on position (I).
- ◆ To switch the work light off, slide the switch (20) to the off position (0).

Hints for optimum use

Sawing laminates

When cutting laminates, splintering may occur which can damage the presentation surface. The most common saw blades cut on the upward stroke, therefore if the shoe plate is sitting on the presentation surface either use a saw blade that cuts on the downward stroke or:

- ◆ Use a fine-tooth saw blade.
- ◆ Saw from the back surface of the workpiece.
- ◆ To minimise splintering, clamp a piece of scrap wood or hardboard to both sides of the workpiece and saw through this sandwich.

Sawing metal

Be aware that sawing metal takes much more time than sawing wood.

- ◆ Use a saw blade suitable for sawing metal.

- ◆ When cutting thin sheet metal, clamp a piece of scrap wood to the back surface of the workpiece and cut through this sandwich.
- ◆ Spread a film of oil along the intended line of cut.

Maintenance

Your Black & Decker tool has been designed to operate over a long period of time with a minimum of maintenance. Continuous satisfactory operation depends upon proper tool care and regular cleaning.

- ◆ Regularly clean the ventilation slots in your tool using a soft brush or dry cloth.
- ◆ Regularly clean the motor housing using a damp cloth. Do not use any abrasive or solvent-based cleaner. Never let any liquid get inside the tool and never immerse any part of the tool into liquid.

Protecting the environment



Separate collection. This product must not be disposed of with normal household waste.

Should you find one day that your Black & Decker product needs replacement, or if it is of no further use to you, do not dispose of it with household waste. Make this product available for separate collection.



Separate collection of used products and packaging allows materials to be recycled and used again. Reuse of recycled materials helps prevent environmental pollution and reduces the demand for raw materials.

Local regulations may provide for separate collection of electrical products from the household, at municipal waste sites or by the retailer when you purchase a new product.

Black & Decker provides a facility for the collection and recycling of Black & Decker products once they have reached the end of their working life. To take advantage of this service please return your product to any authorised repair agent who will collect them on our behalf.

You can check the location of your nearest authorised repair agent by contacting your local Black & Decker office at the address indicated in this manual. Alternatively, a list of authorised Black & Decker repair agents and full details of our

after-sales service and contacts are available on the Internet at: www.2helpU.com.

Batteries



At the end of their useful life, discard batteries with due care for our environment:

- ◆ Do not short-circuit the battery terminals.
- ◆ Do not dispose of the battery(s) in a fire as this may result in a risk of personal injury or an explosion.
- ◆ Run the battery down completely, then remove it from the tool.
- ◆ Batteries are recyclable. Place the battery(s) in a suitable packaging to ensure that the terminals cannot be short-circuited. Take them to any authorised repair agent or a local recycling station.

Technical data

		KS900S TYPE 1	KS900SL TYPE 1	KS950S TYPE 1
Voltage	Vac	230	230	230
Rated input	W	620	620	650
No-load speed	min ⁻¹	800-3200	800-3200	800-3200
Max. depth of cut				
Wood	mm	85	85	85
Steel	mm	5	5	5
Aluminium	mm	15	15	15
Weight	kg	2.65	2.65	2.65
(with laser)	kg	2.95	2.95	2.95

Level of sound pressure according to EN60745:

L_{pA} (sound pressure) 87 dB(A), uncertainty (K) 3 dB(A), L_{WA} (sound power) 98 dB(A), uncertainty (K) 3 dB(A)

Vibration total values (triax vector sum) according to EN 60745:

Cutting wood ($a_{h,CW}$) 8.5 m/s², uncertainty (K) 1.5 m/s², Cutting sheet metal ($a_{h,CM}$) 7.3 m/s², uncertainty (K) 1.5 m/s²

EC declaration of conformity
MACHINERY DIRECTIVE



KS900S, KS900SL, KS950SL

Black & Decker declares that these products described under “technical data” are in compliance with: 2006/42/EC, EN60745-1, EN60745-2-11

For more information, please contact Black & Decker at the following address or refer to the back of the manual.

The undersigned is responsible for compilation of the technical file and makes this declaration on behalf of Black & Decker.

Kevin Hewitt
Vice-President
Global Engineering
Black & Decker Europe,
210 Bath Road, Slough,
Berkshire, SL1 3YD
United Kingdom
07-07-2010

Guarantee

Black & Decker is confident of the quality of its products and offers an outstanding guarantee. This guarantee statement is in addition to and in no way prejudices your statutory rights. The guarantee is valid within the territories of the Member States of the European Union and the European Free Trade Area.

If a Black & Decker product becomes defective due to faulty materials, workmanship or lack of conformity, within 24 months from the date of purchase, Black & Decker guarantees to replace defective parts, repair products subjected to fair wear and tear or replace such products to make sure of the minimum inconvenience to the customer unless:

- ◆ The product has been used for trade, professional or hire purposes.
- ◆ The product has been subjected to misuse or neglect.
- ◆ The product has sustained damage through foreign objects, substances or accidents.
- ◆ Repairs have been attempted by persons other than authorised repair agents or Black & Decker service staff.

To claim on the guarantee, you will need to submit proof of purchase to the seller or an authorised repair agent. You can check the location of your nearest authorised repair agent by contacting your local Black & Decker office at the address indicated in this manual. Alternatively, a list of authorised Black & Decker repair agents and full details of our after-sales service and contacts are available on the Internet at: **www.2helpU.com**

Please visit our website

www.blackanddecker.co.uk to register your new Black & Decker product and to be kept up to date on new products and special offers. Further information on the Black & Decker brand and our range of products is available at **www.blackanddecker.co.uk**.

Bestimmungsgemäße Verwendung

Ihre Black & Decker Stichsäge wurde zum Sägen von Holz, Kunststoff und Metallblechen entwickelt. Dieses Gerät ist nicht für den gewerblichen Einsatz vorgesehen.

Sicherheitshinweise

Allgemeine Sicherheitswarnungen für das Gerät



Achtung! Sämtliche Sicherheitswarnungen und Anweisungen sind zu lesen. Die Nichteinhaltung der aufgeführten Anweisungen kann einen elektrischen Schlag, Brand und/oder schwere Verletzungen verursachen.

Bewahren Sie alle Sicherheitswarnungen und Anweisungen gut auf. Der nachfolgend verwendete Begriff „Gerät“ bezieht sich auf netzbetriebene Geräte (mit Netzkabel) und auf akkubetriebene Geräte (ohne Netzkabel).


1. Sicherheit im Arbeitsbereich

- a. **Halten Sie Ihren Arbeitsbereich sauber und gut ausgeleuchtet.** Unordnung und dunkle Arbeitsbereiche können zu Unfällen führen.
- b. **Arbeiten Sie mit Geräten nicht in explosionsgefährdeter Umgebung, in der sich brennbare Flüssigkeiten, Gase oder Stäube befinden.** Geräte erzeugen Funken, die den Staub oder die Dämpfe entzünden können.
- c. **Halten Sie Kinder und andere Personen während der Benutzung eines Geräts fern.** Bei Ablenkung können Sie die Kontrolle verlieren.

2. Elektrische Sicherheit

- a. **Der Netzstecker des Geräts muss in die Steckdose passen. Der Stecker darf in keiner Weise verändert werden. Verwenden Sie für schutzgeerdete Geräte keine Adapterstecker.** Unveränderte Stecker und passende Steckdosen verringern das Risiko eines elektrischen Schlags.
- b. **Vermeiden Sie Körperkontakt mit geerdeten Oberflächen von Rohren, Heizungen, Herden und Kühlschränken.** Es besteht ein erhöhtes Risiko eines elektrischen Schlags, wenn Ihr Körper geerdet ist.
- c. **Halten Sie Geräte von Regen und Nässe fern.** Das Eindringen von Wasser in ein Gerät erhöht das Risiko eines elektrischen Schlags.

- d. **Verwenden Sie das Kabel ordnungsgemäß. Verwenden Sie es niemals zum Tragen. Trennen Sie das Gerät nicht durch Ziehen am Kabel vom Netz. Halten Sie das Kabel fern von Hitze, Öl, scharfen Kanten oder sich bewegenden Teilen.** Beschädigte oder verwickelte Kabel erhöhen das Risiko eines elektrischen Schlags.
 - e. **Wenn Sie mit einem Gerät im Freien arbeiten, verwenden Sie nur Verlängerungskabel, die auch für den Außenbereich zugelassen sind.** Die Verwendung eines für den Außenbereich geeigneten Verlängerungskabels verringert das Risiko eines elektrischen Schlags.
 - f. **Wenn ein Elektrowerkzeug in einer feuchten Umgebung verwendet werden muss, schließen Sie es unbedingt an eine Steckdose mit Fehlerstromschutzschalter (RCD) an.** Ein Fehlerstromschutzschalter verringert das Risiko eines elektrischen Schlags.
- #### 3. Sicherheit von Personen
- a. **Seien Sie aufmerksam, achten Sie darauf, was Sie tun, und gehen Sie vernünftig mit dem Gerät um. Benutzen Sie das Gerät nicht, wenn Sie müde sind oder unter dem Einfluss von Drogen, Alkohol oder Medikamenten stehen.** Ein Moment der Unachtsamkeit beim Gebrauch von Geräten kann zu ernsthaften Verletzungen führen.
 - b. **Verwenden Sie eine geeignete Schutzausrüstung. Tragen Sie stets eine Schutzbrille.** Schutzausrüstung wie Staubmaske, rutschfeste Sicherheitsschuhe, Schutzhelm oder Gehörschutz, je nach Art und Einsatz des Geräts, verringert das Risiko von Verletzungen.
 - c. **Vermeiden Sie eine unbeabsichtigte Inbetriebnahme. Vergewissern Sie sich, dass das Gerät ausgeschaltet ist, bevor Sie es an eine Steckdose oder einen Akku schließen, es hochheben oder tragen.** Durch das Tragen des Geräts mit dem Finger am Schalter oder durch das Anschließen eingeschalteter Geräte werden Unfälle provoziert.
 - d. **Entfernen Sie Einstell- oder Schraubenschlüssel, bevor Sie das Gerät einschalten.** Ein Schlüssel in einem sich drehenden Teil kann zu Verletzungen führen.

- e. **Beugen Sie sich nicht zu weit nach vorn über. Achten Sie auf einen sicheren Stand, um in jeder Arbeitsposition das Gleichgewicht zu halten.** Dadurch können Sie das Gerät in unerwarteten Situationen besser unter Kontrolle halten.
- f. **Tragen Sie geeignete Kleidung. Tragen Sie keine weite Kleidung oder Schmuck. Halten Sie Haare, Kleidung und Handschuhe von sich bewegenden Teilen fern.** Lockere Kleidung, Schmuck oder lange Haare können von sich bewegenden Teilen erfasst werden.
- g. **Falls Vorrichtungen zum Absaugen oder Auffangen von Staub vorhanden sind, vergewissern Sie sich, dass diese angeschlossen sind und richtig verwendet werden.** Diese Vorrichtungen verringern Gefährdungen durch Staub.
4. **Gebrauch und Pflege von Geräten**
- a. **Überlasten Sie das Gerät nicht. Verwenden Sie das für Ihre Arbeit passende Gerät.** Durch das Arbeiten in dem für das Gerät angegebenen Leistungsbereich erzielen Sie nicht nur optimale Ergebnisse, Sie erhöhen auch die Sicherheit.
- b. **Verwenden Sie das Gerät nicht, wenn der Ein-/ Ausschalter nicht funktioniert.** Ein Gerät, das sich nicht mehr ein- oder ausschalten lässt, ist gefährlich und muss repariert werden.
- c. **Ziehen Sie den Stecker aus der Steckdose oder trennen Sie das Gerät vom Akku, bevor Sie Einstellungen vornehmen, Zubehörteile wechseln oder das Gerät weglegen.** Diese Vorsichtsmaßnahme verhindert den unbeabsichtigten Start des Geräts.
- d. **Bewahren Sie unbenutzte Geräte außerhalb der Reichweite von Kindern auf. Lassen Sie Geräte nicht von Personen benutzen, die damit nicht vertraut sind oder diese Anweisungen nicht gelesen haben.** Geräte sind gefährlich, wenn sie von unerfahrenen Personen benutzt werden.
- e. **Halten Sie Geräte in einem einwandfreien Zustand. Kontrollieren Sie, ob bewegliche Teile falsch ausgerichtet sind oder klemmen und ob Teile gebrochen oder so beschädigt sind, dass die Funktion des Geräts beeinträchtigt ist. Lassen Sie beschädigte Geräte vor dem Gebrauch reparieren.** Viele Unfälle haben ihre Ursache in schlecht gewarteten Geräten.
- f. **Halten Sie Schneidwerkzeuge scharf und sauber.** Sorgfältig gepflegte Schneidwerkzeuge mit scharfen Schneidkanten verkleben sich weniger und sind leichter zu führen.
- g. **Verwenden Sie Gerät, Zubehör, Einsatz-Bits usw. entsprechend diesen Anweisungen, und berücksichtigen Sie dabei die Arbeitsbedingungen und die auszuführende Arbeit.** Der Gebrauch von Geräten für andere als die vorgesehenen Anwendungen kann zu gefährlichen Situationen führen.
5. **Service**
- a. **Lassen Sie das Gerät nur von qualifiziertem Fachpersonal und nur mit Originalersatzteilen reparieren.** Damit wird gewährleistet, dass die Sicherheit des Geräts erhalten bleibt.
- Zusätzliche Sicherheitswarnungen für das Gerät**
-  **Achtung!** Zusätzliche Sicherheitswarnungen für Stichsäge.
- ◆ **Halten Sie das Gerät an den isolierten Griffflächen, wenn Sie Arbeiten durchführen, bei denen das Schneidwerkzeug verdeckte Leitungen oder das eigene Kabel berühren kann.** Wenn das Schneidwerkzeug eine stromführende Leitung berührt, können offen liegende Metallteile am Gerät ebenfalls unter Strom gesetzt werden und beim Bediener einen Stromschlag verursachen.
 - ◆ **Fixieren Sie das Werkstück mit Zwingen oder ähnlichen Hilfsmitteln auf einer stabilen Oberfläche.** Wenn Sie das Werkstück nur mit den Händen oder gegen Ihren Körper halten, können Sie leicht die Kontrolle verlieren.
 - ◆ **Halten Sie Ihre Hände von der Schneidzone fern.** Greifen Sie niemals unter das zu schneidende Werkstück. Bringen Sie Finger und Daumen nicht in die Nähe des sich bewegenden Sägeblattes und dessen Klemme. Versuchen Sie nicht, die Säge zu stabilisieren, indem Sie diese am Sägeschuh festhalten.
 - ◆ **Halten Sie die Sägeblätter scharf.** Stumpfe oder beschädigte Sägeblätter können dazu führen, dass die Säge unter Druck blockiert oder ausbricht. Verwenden Sie immer ein für das jeweilige Werkstück und die Art des Schnittes geeignetes Sägeblatt.

- ◆ **Achten Sie beim Sägen von Rohren oder Leitungen darauf, dass diese frei von Wasser, Stromkabeln und Ähnlichem sind.**
- ◆ **Unmittelbar nach Gebrauch der Säge sollten Sie weder das Werkstück noch das Sägeblatt berühren.** Beides kann sehr heiß werden.
- ◆ **Achten Sie auch auf nicht sichtbare Gefahren, wenn Sie in Wände, Böden oder Decken sägen. Prüfen Sie diese Stellen auf dahinter liegende Kabel oder Rohre.**
- ◆ **Das Sägeblatt bewegt sich auch dann noch, wenn Sie den Schalter losgelassen haben.** Schalten Sie das Gerät vor dem Ablegen stets aus, und warten Sie, bis das Sägeblatt zum Stillstand gekommen ist.

Achtung! Die Berührung und das Einatmen von Stäuben, die beim Sägen von Materialien entstehen, können beim Bediener und bei Zuschauern gesundheitliche Schäden verursachen. Tragen Sie eine speziell für den Schutz vor Stäuben und Dämpfen vorgesehene Staubmaske, und stellen Sie sicher, dass auch andere Personen geschützt sind, die den Arbeitsplatz betreten oder sich dort aufhalten.

- ◆ Der vorgesehene Verwendungszweck ist in dieser Anleitung beschrieben. Die Verwendung von Zubehör oder Anbauteilen, die nicht in dieser Anleitung empfohlen sind, sowie die Bedienung des Geräts in Abweichung von den in dieser Anleitung beschriebenen Verfahren kann zu Verletzungen und/oder Sachschäden führen.

Sicherheit anderer Personen

- ◆ Dieses Gerät darf nicht von Personen (einschließlich Kindern) mit eingeschränkten körperlichen, sensorischen oder geistigen Fähigkeiten oder mangelnder Erfahrung und Wissen in Bezug auf dessen Gebrauch bedient werden, es sei denn, sie werden bei der Verwendung des Geräts von einer erfahrenen Person beaufsichtigt oder angeleitet.
- ◆ Kinder müssen beaufsichtigt werden, um sicherzustellen, dass sie nicht mit dem Gerät spielen.

Vibration

Die in den Abschnitten „Technische Daten“ und „EUKonformitätserklärung“ angegebenen Werte für die Vibrationsemission wurden mit einer Standard-Prüfmethode nach EN 60745 ermittelt und können zum Vergleich verschiedener Geräte

herangezogen werden. Außerdem kann mit Hilfe dieses Werts die Belastung bei Verwendung des Geräts schon im Voraus eingeschätzt werden.

Achtung! Die bei Verwendung des Geräts auftretende Vibrationsemission hängt von der Art des Gerätegebrauchs ab und kann dementsprechend vom angegebenen Wert abweichen. Gegebenenfalls kann die Vibration über dem angegebenen Wert liegen.

Mit Hilfe der ermittelten Werte der Vibrationsbelastung durch Elektrogeräte lassen sich Sicherheitsmaßnahmen festlegen, die gemäß 2002/44/EC zum Schutze von Personen bestimmt sind, die diese Geräte regelmäßig bei der Arbeit verwenden. Bei der Einschätzung der Vibrationsbelastung sollten die Gebrauchsumstände und die Art der Verwendung des Geräts sowie alle Schritte des Arbeitszyklus berücksichtigt werden, wozu Ruhe-, Leerlauf- und Startzeiten gehören.

Warnsymbole am Geräts



Achtung! Lesen Sie vor Gebrauch die Anleitung durch. Andernfalls besteht Verletzungsgefahr.

Elektrische Sicherheit



Dieses Gerät ist schutzisoliert, daher ist keine Erdleitung erforderlich. Überprüfen Sie immer, ob die Netzspannung der auf dem Typenschild des Geräts angegebenen Spannung entspricht.

- ◆ Dieses Gerät darf ohne Aufsicht nicht von jungen oder schwachen Personen verwendet werden. Kinder müssen beaufsichtigt werden, um sicherzustellen, dass sie nicht mit dem Gerät spielen.
- ◆ Ist das Netzkabel beschädigt, muss es durch den Hersteller oder eine Black & Decker Vertragswerkstatt ausgetauscht werden, um eine mögliche Gefährdung zu vermeiden.

Zusätzliche Sicherheitshinweise für nicht aufladbare Batterien

- ◆ Auf keinen Fall öffnen.
- ◆ Nicht bei Temperaturen über 40°C lagern.
- ◆ Bei der Entsorgung von Batterien die Hinweise im Abschnitt „Umweltschutz“ beachten.

Batterien nicht ins Feuer werfen.

- ◆ Unter extremen Bedingungen können Batterien undicht werden. Wenn Sie bemerken, dass

Flüssigkeit austritt, gehen Sie folgendermaßen vor:

- Wischen Sie die Flüssigkeit vorsichtig mit einem Tuch ab. Vermeiden Sie Hautkontakt.

Zusätzliche Sicherheitshinweise für Laserprodukte



Lesen Sie diese Anleitung vollständig und aufmerksam durch.



Das Gerät darf nicht von Personen unter 16 Jahren verwendet werden.



Laserstrahlung.



Blicken Sie nicht in den Laserstrahl.



Blicken Sie nicht unter Verwendung optischer Hilfsmittel in den Laserstrahl.

- ◆ Dieser Laser erfüllt die Richtlinien für Laserprodukte der Klasse 2 gemäß EN 60825-1:1994+A1:2002+A2:2001. Die Laserdiode des Geräts darf nicht durch eine Diode anderen Typs ersetzt werden. Im Schadensfall darf der Laser nur durch eine autorisierte Vertragswerkstatt repariert werden.
- ◆ Der Laser darf ausschließlich zum Projizieren einer Laserlinie verwendet werden.
- ◆ Die Strahlung von Laserprodukten der Klasse 2 ist bei kurzzeitiger Einwirkungsdauer (bis zu 0,25 Sekunden) für das Auge ungefährlich. Eine längere Bestrahlung wird normalerweise durch den natürlichen Lidschlussreflex verhindert. Ab einer Entfernung von 1 m erfüllt der Laser die Bedingungen für Laserprodukte der Klasse 1 und ist somit vollständig ungefährlich.
- ◆ Sehen Sie nie direkt und absichtlich in den Laserstrahl.
- ◆ Blicken Sie nicht unter Verwendung optischer Hilfsmittel in den Laserstrahl.
- ◆ Halten Sie das Gerät niemals so, dass die Augen anderer Personen dem Laserstrahl ausgesetzt sind.
- ◆ Achten Sie darauf, dass sich Kinder nicht in der Nähe des Lasers aufhalten.

Merkmale

1. Feststellknopf
2. Ein-/Ausschalter
3. Abdeckung des Aufbewahrungsfachs
4. Verriegelungshebel für Grundplatte

5. Staubabsaugöffnung
6. Staubsaugeradapter
7. Grundplatte
8. Auto Select™-Programmwahl
9. Sägeblattführungsrolle
10. Werkzeuglose Sägeblattklemme

Zusatzfunktionen (Abb. A)

Die Verfügbarkeit der Zusatzfunktionen ist abhängig vom jeweiligen Produkt. Die Zusatzfunktionen für die Katalognummer des erworbenen Geräts finden Sie in Abb. A.

Montage

Achtung! Vergewissern Sie sich vor Ausführung der folgenden Schritte, dass das Gerät ausgeschaltet und vom Stromnetz getrennt ist, und dass das Sägeblatt zum Stillstand gekommen ist. Nach Verwendung der Stichsäge kann das Sägeblatt heiß sein.

Einsetzen des Sägeblatts (Abb. B)

- ◆ Halten Sie das Sägeblatt (11) wie gezeigt mit den Zähnen nach vorne.
- ◆ Drücken Sie die Sägeblattklemme (10) nach unten, und halten Sie sie gedrückt.
- ◆ Setzen Sie den Schaft des Sägeblatts in den Sägeblatthalter (12) ein, und drücken Sie das Sägeblatt bis zum Anschlag hinein.
- ◆ Lassen Sie den Verriegelungshebel (10) los.

Aufbewahrung der Sägeblätter (Abb. C)

Die Sägeblätter können im Aufbewahrungsfach (3) seitlich am Gerät aufbewahrt werden.

- ◆ Öffnen Sie die Abdeckung (3) des Aufbewahrungsfachs, indem Sie die Lasche oben auf der Abdeckung (3) festhalten und herausziehen.
- ◆ Die Sägeblätter werden im Aufbewahrungsfach durch einen Magnetstreifen fixiert. Um ein Sägeblatt zu entnehmen, drücken Sie es an einer Seite nach unten und heben die andere Seite an.
- ◆ Schließen Sie die Abdeckung des Aufbewahrungsfachs (3), und achten Sie darauf, dass sie fest einrastet.

Achtung! Die Abdeckklappe muss sicher verschlossen sein, bevor Sie die Säge in Betrieb nehmen.

Anschließen eines Staubsaugers (Abb. D)

Zum Anschließen eines Staubsaugers oder einer Absaugvorrichtung ist ein Staubsaugeradapter erforderlich. Der Staubsaugeradapter (6) ist bei Ihrem Black & Decker- Händler erhältlich.

- ◆ Schieben Sie den Adapter (6) in die Staubabsaugöffnung (5).
- ◆ Verbinden Sie den Schlauch des Staubsaugers mit dem Adapter (6).

Restrisiken

Für den Gebrauch dieses Geräts verbleiben zusätzliche Restrisiken, die möglicherweise nicht in den Sicherheitswarnungen genannt werden. Diese Risiken bestehen beispielsweise bei Missbrauch oder längerem Gebrauch.

Auch bei der Einhaltung der entsprechenden Sicherheitsvorschriften und der Verwendung aller Sicherheitsgeräte bestehen weiterhin bestimmte Restrisiken. Diese werden im Folgenden aufgeführt:

- ◆ Verletzungen, die durch das Berühren von sich drehenden/bewegenden Teilen verursacht werden.
- ◆ Verletzungen, die durch das Austauschen von Teilen, Messern oder Zubehör verursacht werden.
- ◆ Verletzungen, die durch längeren Gebrauch eines Geräts verursacht werden. Legen Sie bei längerem Gebrauch regelmäßige Pausen ein.
- ◆ Beeinträchtigung des Gehörs.
- ◆ Gesundheitsrisiken durch das Einatmen von Staub beim Gebrauch des Geräts (Beispielsweise bei Holzarbeiten, insbesondere Eiche, Buche und Pressspan).

Gebrauch

Schwenken der Grundplatte für Gehrungsschnitte (Abb. E und F)

Achtung! Betreiben Sie das Gerät nicht mit loser oder abgenommener Grundplatte.

Die Grundplatte (7) kann nach links und rechts bis zu einem Winkel von 45° geschwenkt werden.

- ◆ Ziehen Sie den Verriegelungshebel für die Grundplatte (4) heraus, um die Grundplatte (7) aus der Null-Grad-Position (Abb. E) zu lösen.
- ◆ Ziehen Sie die Grundplatte (7) nach vorn, und stellen Sie den gewünschten Gehrungswinkel ein (15°, 30° oder 45°), der im Fenster angezeigt wird.
- ◆ Drücken Sie den Verriegelungshebel für die Grundplatte (4) wieder zum Gerät hin, um die Grundplatte (7) zu verriegeln.

So bringen Sie die Grundplatte (7) wieder in die Position für gerade Schnitte:

- ◆ Ziehen Sie den Verriegelungshebel für die Grundplatte (4) heraus, um die Grundplatte (7) zu entriegeln.
- ◆ Schwenken Sie die Grundplatte (7) zurück in die Ausgangsstellung (Winkel von 0°), und schieben Sie sie nach hinten.
- ◆ Drücken Sie den Verriegelungshebel für die Grundplatte (4) wieder zum Gerät hin, um die Grundplatte (7) zu verriegeln.

Verwenden der Auto Select™ -Programmwahl (Abb. G)

Dieses Gerät verfügt über eine einzigartige Auto Select™-Programmwahlfunktion (8), um Geschwindigkeit und Pendelhub für verschiedene Schneidarbeiten einzustellen. Um Geschwindigkeit und Pendelhub optimal auf das zu bearbeitende Material abzustimmen, drehen Sie den Wahlschalter (8) gemäß der folgenden Tabelle auf die gewünschte Position:

	Symbol	Anwendungszweck	Geschwindigkeit/Pendelhubzahl	Sägeblatt-Typ
		Küchen-Arbeitsflächen, Arbeitsplatten, Laminat	Hohe Geschwindigkeit, kein Pendelhub	Holz allgemein
		Laubsägearbeiten, gewölbte Oberflächen, Hartholz, Decken- und Fußbodenarbeiten	Hohe Geschwindigkeit, kein Pendelhub	Laubsägen in Holz Holz allgemein
		Sperrholz und Holzpaneele	Hohe Geschwindigkeit, mittlere Pendelhubzahl	Holz allgemein
		Holz allgemein, Weichholz, schnelle Längsschnitte	Hohe Geschwindigkeit, maximale Pendelhubzahl	Holz allgemein
		Kunststoffe, Plexiglas, PVC	Mittlere Geschwindigkeit, mittlere Pendelhubzahl	Allgemein
		Metallblech, Keramikfliesen, GFK-Platten	Niedrige Geschwindigkeit, kein Pendelhub	Sägeblatt für Metall, Keramik oder Glasfaser
		Minimalgeschwindigkeit, Feinstart	Minimalgeschwindigkeit, kein Pendelhub	geeignetes Sägeblatt verwenden

Ein- und Ausschalten

- ◆ Drücken Sie zum Einschalten des Geräts den Ein-/Ausschalter (2).
- ◆ Lassen Sie zum Ausschalten des Geräts den Ein-/Ausschalter (4) los.
- ◆ Drücken Sie zum Arbeiten im Dauerbetrieb die Feststelltaste (1) und lassen den Ein-/Ausschalter (2) los.
- ◆ Wenn sich das Gerät im Dauerbetrieb befindet, müssen Sie zum Ausschalten den Ein-/Ausschalter (2) drücken und loslassen.

Sägen

Halten Sie beim Sägen das Gerät mit beiden Händen fest. Die Grundplatte (7) sollte fest

gegen das Werkstück gedrückt werden. Damit verhindern Sie ein Springen der Säge. Außerdem werden Vibrationen sowie das Bruchrisiko für das Sägeblatt verringert.

- ◆ Lassen Sie das Sägeblatt einige Sekunden freischwingen, bevor Sie mit der Arbeit beginnen.
- ◆ Üben Sie beim Schneiden nicht zuviel Druck auf das Gerät aus.

Betrieb mit Laser (nur bei Gerätetyp „L“, Abb. H bis K)

Einsetzen der Batterien (Abb. H)

Nehmen Sie die Lasereinheit (14) von der Stichsäge ab. Drehen Sie dazu die Schraube (13) heraus, und ziehen Sie die Lasereinheit

nach vorne ab. Setzen Sie zwei neue 1,5-Volt-Alkalibatterien der Größe AAA (Micro) ein. Achten Sie auf die richtige Lage der positiven (+) und negativen (-) Anschlusspole. Bringen Sie die Lasereinheit (14) wieder an.

Seitliche Justierung des Lasers (Abb. I)

Hinweis: Der Laser unterstützt Sie beim Führen der Säge, garantiert aber keinen präzisen Schnitt.

Achtung! Ziehen Sie vor der Justierung des Lasers den Netzstecker.

- ◆ Richten Sie bei Bedarf Laserlinie und Sägeblatt mit Hilfe der Laserjustierschraube (15) aus.

Eine Überhitzung kann dazu führen, dass die projizierte Laserlinie schwächer wird. Wird die Säge längere Zeit mit zu hoher Last betrieben, verschwindet die Linie möglicherweise ganz. Sie wird wieder sichtbar, wenn sich das Gerät abkühlt (auch bei ausgeschaltetem und vom Stromnetz getrenntem Gerät).

Achtung! Lassen Sie im Fall einer Überhitzung den Laser nicht eingeschaltet. Schalten Sie ihn aus, und nehmen Sie die Batterien heraus, um seine Stromversorgung zu unterbrechen.

Verwenden des Lasers (Abb. J und K)

Der Laser projiziert die Schnittlinie (18) auf die Oberfläche des Werkstücks.

- ◆ Zum Einschalten des Lasers drücken Sie die Taste (16).
- ◆ Zum Ausschalten des Lasers drücken Sie erneut die Taste (16).

Wenn Sie von oben auf die Stichsäge blicken, können Sie der Schnittlinie (17) problemlos folgen. Ist die Sicht auf die Schnittlinie verdeckt, können Sie den Laser als Hilfe zur Schnitfführung verwenden.

- ◆ Markieren Sie die Schnittlinie (17) mit einem geeigneten Stift.
- ◆ Richten Sie die Stichsäge über der Linie (17) aus.
- ◆ Schalten Sie den Laser ein.

Betrieb mit Arbeitslicht (nur bei Gerätetyp „W“, Abb. L und M)

Geräte mit einem „W“ in der Katalognummer sind mit einer LED-Lampe (19) ausgestattet, um den Arbeitsbereich auszuleuchten.

- ◆ Zum Einschalten der Lampe stellen Sie den Ein-/Ausschalter (20) auf die Position „Ein“ (I).
- ◆ Zum Ausschalten der Lampe stellen Sie den Ein-/Ausschalter (20) auf die Position „Aus“ (0).

Hinweise für optimale Funktion

Sägen von Laminat

Beim Sägen von Laminat kann die sichtbare Oberfläche splintern. Der Schnittvorgang der meisten Sägeblätter geschieht bei der Aufwärtsbewegung. Verwenden Sie deshalb, wenn sich die Grundplatte des Geräts auf der hochwertigen Oberfläche befindet, ein Sägeblatt, das bei der Abwärtsbewegung schneidet, oder:

- ◆ Verwenden Sie ein Sägeblatt mit feiner Zahnung.
- ◆ Drehen Sie das Werkstück um, und setzen Sie die Säge an der Unterseite an.
- ◆ Ausgefrante Kanten und Absplinterungen können Sie auch vermeiden, indem Sie das zu sägende Werkstück zwischen zwei Holz- oder Pressspanplatten einspannen und dieses „Sandwich“ sägen.

Sägen von Metall

Beim Sägen von Metall erfolgt der Vorschub wesentlich langsamer als bei Werkstücken aus Holz.

- ◆ Verwenden Sie ein Sägeblatt, das zum Sägen von Metall geeignet ist.
- ◆ Spannen Sie dünne Metallbleche zum Sägen auf eine Holz- oder Pressspanplatte.
- ◆ Bringen Sie einen dünnen Ölfilm entlang der beabsichtigten Schnittlinie auf.

Wartung

Ihr Black & Decker Gerät wurde im Hinblick auf eine lange Lebensdauer und einen möglichst geringen Wartungsaufwand entwickelt. Ein dauerhafter, einwandfreier Betrieb setzt eine regelmäßige Pflege und Reinigung voraus.

- ◆ Reinigen Sie regelmäßig die Lüftungsschlitze des Geräts mit Hilfe einer weichen Bürste oder eines trockenen Tuchs.
- ◆ Reinigen Sie regelmäßig das Motorgehäuse mit Hilfe eines feuchten Tuchs. Verwenden Sie keine scheuernden Reinigungsmittel oder Reinigungsmittel auf Lösungsmittelbasis. Achten Sie darauf, dass keine Flüssigkeit in das Gerät gelangt. Tauchen Sie kein Teil des Geräts in Flüssigkeit ein.

Umweltschutz



Getrennte Entsorgung. Dieses Produkt darf keinesfalls mit dem Hausmüll entsorgt werden.

Sollten Sie Ihr Black & Decker Produkt eines Tages ersetzen oder nicht mehr benötigen, entsorgen Sie es nicht mit dem Hausmüll, sondern führen Sie das Produkt einer getrennten Sammlung zu.



Durch die separate Sammlung von ausgedienten Produkten und Verpackungsmaterialien können Rohstoffe recycelt und wieder verwendet werden. Die Wiederverwendung aufbereiteter Materialien trägt zur Vermeidung der Umweltverschmutzung bei und senkt den Rohstoffbedarf.

Die Verordnung zur Abfallentsorgung Ihrer Gemeinde sieht möglicherweise vor, dass Elektrogeräte getrennt vom Hausmüll gesammelt, an der örtlichen Abfallentsorgungseinrichtung abgegeben oder beim Kauf eines neuen Produkts vom Fachhandel zur Entsorgung angenommen werden müssen.

Black & Decker nimmt Ihre ausgedienten Black & Decker Geräte gern zurück und sorgt für eine umweltfreundliche Entsorgung bzw. Wiederverwertung. Um diese Dienstleistung in Anspruch zu nehmen, geben Sie das Gerät bitte bei einer autorisierten Reparaturwerkstatt ab, die für uns die Einsammlung übernimmt.

Die Adresse der zuständigen Niederlassung von Black & Decker steht in dieser Anleitung. Diese teilt Ihnen gerne die nächstgelegene Vertragswerkstatt mit. Außerdem ist eine Liste der Vertragswerkstätten und aller Kundendienststellen von Black & Decker sowie der zuständigen Ansprechpartner im Internet zu finden unter: www.2helpU.com.

Batterien



Denken Sie bei der Entsorgung von verbrauchten Akkus an unsere Umwelt.

- ◆ Achten Sie darauf, dass die Akkukontakte nicht kurzgeschlossen werden.
- ◆ Werfen Sie Akkus nicht in ein Feuer, da dies Verletzungen oder eine Explosion zur Folge haben kann.
- ◆ Entladen Sie den Akku vollständig, und entfernen Sie ihn dann aus dem Gerät.
- ◆ Akkus können recycelt werden. Verpacken Sie die Akkus in einem geeigneten Behälter, sodass die Akkukontakte nicht kurzgeschlossen

werden können. Bringen Sie die Akkus zu einer autorisierten Vertragswerkstatt oder zu einer Rücknahmestelle in Ihrer Nähe.

Technische Daten

		KS900S TYP 1	KS900SL TYP 1	KS950S TYP 1
Spannung	V_{AC}	230	230	230
Aufnahmeleistung	W	620	620	650
Leerlaufdrehzahl				
maximale	min^{-1}	800-3200	800-3200	800-3200
Schnitttiefe				
Holz	mm	85	85	85
Stahl	mm	5	5	5
Aluminium	mm	15	15	15
Gewicht	kg	2,65	2,65	2,65
(mit Laser)	kg	2,95	2,95	2,95

Schalldruckpegel gemäß EN 60745:

Schalldruck (L_{pA}) 87 dB(A), Unsicherheitsfaktor (K) 3 dB(A), Schalleistung (L_{WA}) 98 dB(A), Unsicherheitsfaktor (K) 3 dB(A)

Gesamtvibration (Triax-Vektorsumme) gemäß EN 60745:

Holzschneiden ($a_{h,CW}$) 8,5 m/s², Unsicherheitsfaktor (K) 1,5 m/s², Schneiden von Metallblech ($a_{h,CM}$) 7,3 m/s², Unsicherheitsfaktor (K) 1,5 m/s²

EU-Konformitätserklärung

RICHTLINIE FÜR MASCHINEN



KS900S, KS900SL, KS950SL

Black & Decker erklärt, dass die unter „Technische Daten“ beschriebenen Produkte den folgenden Normen entsprechen: 2006/42/EC, EN60745-1, EN60745-2-11

Weitere Informationen erhalten Sie von Black & Decker unter der folgenden Adresse bzw. mithilfe der Angaben auf der Rückseite dieser Anleitung.

Der Unterzeichnete ist verantwortlich für die Zusammenstellung der technischen Daten und gibt diese Erklärung im Namen von Black & Decker ab.

Kevin Hewitt

Vice-President Global Engineering

Black & Decker Europe,
210 Bath Road, Slough,
Berkshire, SL1 3YD

Großbritannien

07-07-2010

Garantie

Black & Decker vertraut auf die Qualität der eigenen Geräte und bietet dem Käufer eine außergewöhnliche Garantie. Diese Garantiezusage versteht sich unbeschadet der gesetzlichen Gewährleistungsansprüche und schränkt diese keinesfalls ein. Sie gilt in sämtlichen Mitgliedsstaaten der Europäischen Union und der Europäischen Freihandelszone EFTA.

Tritt innerhalb von 24 Monaten ab Kaufdatum an einem Gerät von Black & Decker ein auf Material- oder Verarbeitungsfehler zurückzuführender Mangel auf, garantiert Black & Decker den Austausch defekter Teile, die Reparatur von Geräten mit üblichem Verschleiß bzw. den Austausch eines mangelhaften Geräts, ohne dass dem Kunden dabei mehr als unvermeidlich Unannehmlichkeiten entstehen, allerdings vorbehaltlich folgender Ausnahmen:

- ◆ wenn das Gerät gewerblich, beruflich oder im Verleihgeschäft benutzt wurde;
- ◆ wenn das Gerät missbräuchlich verwendet oder mit mangelnder Sorgfalt behandelt wurde;
- ◆ wenn das Gerät durch irgendwelche Fremdeinwirkung beschädigt wurde;
- ◆ wenn ein unbefugter Reparaturversuch durch anderes Personal als das einer Vertragswerkstatt oder des Black & Decker Kundendienstes unternommen wurde.

Zur Inanspruchnahme dieser Garantie ist dem Verkäufer bzw. der Vertragswerkstatt ein Kaufnachweis vorzulegen. Die Adresse der zuständigen Niederlassung von Black & Decker steht in dieser Anleitung. Diese teilt Ihnen gerne die nächstgelegene Vertragswerkstatt mit. Außerdem ist eine Liste der Vertragswerkstätten und aller Kundendienststellen von Black & Decker sowie der zuständigen Ansprechpartner im Internet zu finden unter: **www.2helpU.com**.

Bitte besuchen Sie unsere Webseite **www.blackanddecker.de**, um Ihr neues Black & Decker- Produkt zu registrieren und über neue Produkte und Sonderangebote informiert zu werden. Weitere Informationen über die Marke Black & Decker und unsere Produkte finden Sie unter **www.blackanddecker.de**.

Utilisation

Votre scie Black & Decker a été spécialement conçue pour scier du bois, du métal et du plastique. Cet outil a été conçu pour une utilisation exclusivement domestique.

Consignes de sécurité

Consignes de sécurité concernant les outils électroportatifs



Attention! Lisez avec attention tous les avertissements et toutes les instructions. Le non-respect de cette consigne peut entraîner une électrocution, un incendie et/ou de graves blessures.

Conservez tous les avertissements et instructions pour référence ultérieure. La notion d'« outil électroportatif » mentionnée par la suite se rapporte à des outils électriques raccordés au secteur (avec câble de raccordement) ou fonctionnant avec batterie (sans fil).

1. Sécurité de la zone de travail

- a. **Maintenez la zone de travail propre et bien éclairée.** Un lieu de travail en désordre ou mal éclairé augmente le risque d'accidents.
- b. **N'utilisez pas les outils électroportatifs dans un environnement présentant des risques d'explosion ni en présence de liquides, gaz ou poussières inflammables.** Les outils électroportatifs génèrent des étincelles risquant d'enflammer les poussières ou les vapeurs.
- c. **Pendant l'utilisation d'un outil électroportatif, les enfants et autres personnes doivent rester éloignés.** En cas d'inattention, vous risquez de perdre le contrôle de l'outil.

2. Sécurité électrique

- a. **La prise de l'outil électroportatif doit convenir à la prise de courant. Ne modifiez en aucun cas la prise. N'utilisez pas de prises d'adaptateur avec des appareils ayant une prise de terre.** Le respect de ces consignes réduit le risque de choc électrique.
- b. **Évitez le contact physique avec des surfaces mises à la terre telles que tuyaux, radiateurs, fours et réfrigérateurs.** Le risque de choc électrique augmente si votre corps est relié à la terre.
- c. **N'exposez pas l'outil électroportatif à la pluie ni à l'humidité.** La pénétration d'eau dans un outil électroportatif augmente le risque de choc électrique.

- d. **Préservez le câble d'alimentation. N'utilisez pas le câble pour porter l'outil, pour l'accrocher ou encore pour le débrancher. Maintenez le câble éloigné des sources de chaleurs, des parties huilées, des bords tranchants ou des parties de l'appareil en rotation.** Le risque de choc électrique augmente si les câbles sont endommagés ou emmêlés.
- e. **Si vous utilisez l'outil électroportatif à l'extérieur, utilisez une rallonge homologuée pour utilisation à l'air libre.** L'utilisation d'une rallonge électrique homologuée pour les travaux à l'extérieur réduit le risque de choc électrique.
- f. **Si l'outil doit être utilisé dans un endroit humide, prenez les précautions nécessaires en utilisant un dispositif à courant résiduel (RCD).** L'utilisation d'un tel dispositif réduit les risques d'électrocution.

3. Sécurité personnelle

- a. **Restez vigilant, surveillez ce que vous faites. Faites preuve de bon sens quand vous utilisez un outil électroportatif. N'utilisez pas l'outil lorsque vous êtes fatigué ou après avoir consommé de l'alcool ainsi que des médicaments.** Un moment d'inattention lors de l'utilisation de l'outil peut entraîner de graves blessures.
- b. **Portez un équipement de protection. Portez toujours des lunettes de protection.** Selon le travail à effectuer, le port d'équipements de protection tels que masque anti-poussières, chaussures de sécurité antidérapantes, casque ou protection auditive, réduit le risque de blessures.
- c. **Évitez un démarrage imprévu. L'appareil doit être en position OFF (arrêt) avant d'effectuer le branchement à l'alimentation et/ou au bloc-batterie, de le ramasser ou de le porter.** Ne laissez pas votre doigt sur le bouton de commande, ceci peut être à l'origine d'accident.
- d. **Retirez tout outil ou clé de réglage avant de mettre l'outil en marche.** Une clé ou un outil se trouvant sur une partie en rotation peut causer des blessures.
- e. **Adoptez une position confortable. Adoptez une position stable et gardez votre équilibre en permanence.** Vous contrôlerez ainsi mieux l'outil dans des situations inattendues.

f. **Portez des vêtements appropriés. Ne portez pas de vêtements flottants ni de bijoux. N'approchez pas les cheveux, vêtements ou gants des parties des pièces mobiles.** Les vêtements amples, les bijoux ou les cheveux longs peuvent être attrapés dans les pièces en mouvement.

g. **En cas d'utilisation d'appareils servant à aspirer ou à recueillir les poussières, assurez-vous qu'ils sont correctement raccordés et utilisés.** L'utilisation de tels appareils permet de réduire les dangers liés aux poussières.

4. Utilisation des outils électroportatifs et précautions

a. **Respectez la capacité de l'outil. Utilisez l'outil électroportatif approprié pour le travail à effectuer.** Avec un outil approprié, vous travaillerez mieux et en toute sécurité.

b. **N'utilisez pas un outil électroportatif dont l'interrupteur marche/arrêt est défectueux.** Un outil électroportatif qui ne peut plus être mis en marche ou arrêté est dangereux et doit être réparé.

c. **Retirez la prise de courant et/ou débranchez le bloc-batterie avant d'effectuer des réglages, de changer les accessoires ou de ranger l'outil.** Cette mesure de précaution empêche de mettre l'outil en marche accidentellement.

d. **Rangez les outils électroportatifs hors de portée des enfants. Les personnes ne connaissant pas l'outil ou n'ayant pas lu ces instructions ne doivent en aucun cas l'utiliser.** Les outils électroportatifs sont dangereux lorsqu'ils sont utilisés par des personnes non initiées.

e. **Prenez soin des outils électroportatifs. Vérifiez que les parties en mouvement fonctionnent correctement et qu'elles ne sont pas coincées. Vérifiez qu'il n'y a pas de pièces cassées ou endommagées susceptibles de nuire au bon fonctionnement de l'outil. S'il est endommagé, faites réparer l'outil avant de l'utiliser.** De nombreux accidents sont la conséquence d'outils mal entretenus.

f. **Maintenez les outils de coupe aiguisés et propres.** Des outils soigneusement entretenus avec des bords tranchants bien aiguisés se coincent moins souvent et peuvent être guidés plus facilement.

g. **Utilisez les outils électroportatifs, les accessoires, etc. en suivant ces instructions et en tenant compte des conditions de travail, ainsi que du travail à effectuer.** L'utilisation des outils électroportatifs à d'autres fins que celles prévues peut vous mettre en situation dangereuse.

5. Réparations

a. **Faites réparer votre outil électroportatif uniquement par du personnel qualifié et seulement avec des pièces de rechange d'origine.** La fiabilité de l'outil sera ainsi garantie.

Consignes de sécurité supplémentaires concernant les outils électroportatifs



Attention! Consignes de sécurité supplémentaires pour scies sauteuses.

- ◆ **Pour les découpes, tenez l'outil au niveau des surfaces de prise isolées. En effet, la lame risque de toucher un câblage caché ou le cordon d'alimentation de l'outil.** En touchant un fil sous tension, la charge électrique est transmise dans les parties métalliques de l'outil et il y a risque de choc électrique.
- ◆ **Utilisez des pinces ou autres pour fixer et soutenir la pièce de manière stable.** Si vous la tenez à la main ou contre votre corps, elle ne sera pas stable et vous pouvez en perdre le contrôle.
- ◆ **Éloignez vos mains des zones de découpe.** Ne cherchez jamais à atteindre la pièce à découper par dessous. Ne passez pas vos doigts ou pouces à proximité de la fixation de la lame et de la lame en mouvement. Ne cherchez pas à stabiliser la scie en attrapant la semelle.
- ◆ **Les lames doivent toujours être aiguisées.** Les lames émoussées ou endommagées peuvent faire déraiper ou bloquer la scie pendant le fonctionnement. Utilisez toujours le type approprié de lame correspondant au matériau de la pièce à couper.
- ◆ **Avant de couper un tuyau ou une conduite, assurez-vous qu'il n'y a ni eau, ni fil électrique, etc. autour.**
- ◆ **Ne touchez pas la pièce coupée ou la lame immédiatement après avoir utilisé l'outil.** Elles peuvent être très chaudes.
- ◆ **Prenez garde aux dangers cachés. Avant de couper des murs, des planchers ou**

des plafonds, vérifiez l'emplacement des câblages et tuyaux.

- ◆ **Le mouvement de la lame continue après avoir relâché le bouton.** Après avoir arrêté la scie, attendez que la lame se stabilise complètement avant de poser l'outil.

Attention! Tout contact ou inhalation de poussières pendant la coupe peut représenter un danger pour la santé de l'opérateur ainsi, qu'éventuellement, des personnes autour. Portez un masque contre la poussière spécialement conçu pour vous protéger des sciures et des fumées toxiques et veillez à ce que les personnes se trouvant à l'intérieur de la zone de travail ou y pénétrant soient également protégées.

- ◆ Ce manuel d'instructions décrit comment utiliser cet appareil. L'utilisation d'un accessoire ou d'une fixation, ou bien l'utilisation de cet appareil à d'autres fins que celles recommandées dans ce manuel d'instructions peut entraîner des blessures et/ou des dommages matériels.

Sécurité pour autrui

- ◆ Cet outil ne peut être utilisé par des personnes (y compris des enfants) ayant des capacités mentales, sensorielles ou physiques réduites, ou celles manquant d'expérience et de connaissances, à moins qu'elles ne soient encadrées ou qu'elles n'aient été formées à l'utilisation de l'outil par une personne responsable de leur sécurité.
- ◆ Ne laissez jamais les enfants sans surveillance pour éviter qu'ils ne jouent avec cet outil.

Vibration

La valeur d'émission de vibration déclarée dans la section Déclaration/Données techniques de conformité a été mesurée selon une méthode d'essai standard fournie par la norme EN60745 et peut être utilisée pour comparer un outil à un autre. Elle peut aussi être utilisée pour une évaluation préliminaire à l'exposition.

Attention! Selon la manière dont l'outil est utilisé, la valeur d'émission de vibration pendant l'utilisation en cours de l'outil peut être différente de la valeur déclarée. Le niveau de vibration peut augmenter au-dessus du niveau établi.

Quand l'exposition aux vibrations est évaluée afin de déterminer les mesures de sécurité requises par la norme 2002/44/EC pour protéger les personnes utilisant régulièrement des outils électroportatif, il faut tenir compte une estimation

de l'exposition aux vibrations, les conditions actuelles d'utilisation et la manière dont l'outil est utilisé. Il faut aussi tenir compte de toutes les pièces du cycle de fonctionnement comme la durée pendant laquelle l'outil est arrêté et quand il fonctionne au ralenti, ainsi que la durée du déclenchement.

Étiquettes de l'outils



Attention! Pour réduire le risque de blessures, l'utilisateur doit lire les instructions du manuel.

Sécurité électrique



Cet outil est doublement isolé; par conséquent, aucun câble de masse n'est nécessaire. Vérifiez si l'alimentation mentionnée sur la plaque signalétique de l'appareil correspond bien à la tension présente sur le lieu.

- ◆ Cet appareil n'est pas destiné à être utilisé par des personnes jeunes ou déficientes sans surveillance. Afin d'éviter que les enfants jouent avec cet appareil, ne les laissez pas sans surveillance.
- ◆ Si le câble d'alimentation est endommagé, il doit être remplacé par le fabricant ou par un centre de réparation agréé Black & Decker pour éviter tout risque.

Consignes de sécurité supplémentaires pour piles non-rechargeables

- ◆ En aucun cas, n'essayez d'ouvrir l'appareil.
- ◆ Ne le rangez pas dans des endroits où la température peut dépasser 40°C.
- ◆ Pour jeter les batteries, suivez les instructions données dans la section «Protection de l'environnement».

Ne jetez pas les piles au feu.

- ◆ Dans des conditions extrêmes, une pile peut couler. Si vous repérez des traces de liquide sur les piles, effectuez ce qui suit:
 - Avec un chiffon, essuyez le liquide en prenant toutes les précautions nécessaires. Éviter tout contact avec la peau.

Consignes de sécurité supplémentaires pour utilisation du laser



Lisez attentivement le manuel complet.



Cet appareil ne doit pas être utilisé par des enfants de moins de 16 ans.



Rayonnement laser.



Ne jamais regarder le faisceau à l'oeil nu.



Ne jamais utiliser d'instrument d'optique pour regarder le faisceau.

- ◆ Ce laser est conforme aux normes de sécurité EN60825-1:2007, classe 2 du CEI. Ne jamais remplacer une diode laser par une diode d'un type différent. Si le laser est endommagé, faites le réparer par un réparateur agréé.
- ◆ N'utilisez jamais le laser à des fins autres que la projection de raies laser.
- ◆ La vision directe du rayon laser de classe 2 n'est pas considérée comme dangereuse jusqu'à 0,25 secondes. La protection de l'oeil est normalement assurée par le réflexe de clignement. À plus de 1m, le rayonnement laser correspond au laser de classe 1 et ne présente aucun risque.
- ◆ Ne jamais regarder directement et volontairement le rayon laser.
- ◆ Ne jamais utiliser d'instrument d'optique pour regarder le faisceau.
- ◆ Installez l'outil en prenant soin d'éviter que le rayon laser ne puisse atteindre personne à la hauteur de la tête.
- ◆ Ne laissez pas les enfants approcher du laser.

Caractéristiques

1. Bouton de verrouillage
2. Manette marche/arrêt
3. Couvercle du boîtier de rangement des lames
4. Levier de verrouillage de semelle
5. Sortie de refoulement de poussière
6. Adaptateur de dépoussiérage
7. Semelle
8. Bouton de sélection Auto Select™
9. Rouleau du support de lame
10. Fixation de la lame

Options supplémentaires (figure A)

Des options supplémentaires peuvent exister en fonction de l'appareil acheté. Ces options accompagnées du numéro de catalogue sont représentées dans la figure A.

Assemblage

Attention! Avant d'exécuter ce qui suit, assurez-vous que l'appareil est éteint, débranché et que la lame n'est plus en mouvement. Les lames, après

utilisation, peuvent être chaudes.

Mise en place de la lame (figure B)

- ◆ Maintenez la lame (11) comme indiqué, avec les dents orientées vers l'avant
- ◆ Poussez et maintenez la fixation de lame (10).
- ◆ Insérez la tige de la lame dans le support de lame (12) le plus loin possible.
- ◆ Relâchez la fixation de lame (10).

Rangement de la lame (figure C)

Les lames de scie (11) peuvent être rangées dans le boîtier de rangement sur le côté de l'outil.

- ◆ Ouvrez le couvercle (3) du boîtier de rangement en poussant la patte sur le haut du couvercle (3) vers l'extérieur.
- ◆ Les lames sont maintenues dans le compartiment par une bande magnétique. Appuyez sur une extrémité de la lame pour soulever l'autre extrémité et la retirer.
- ◆ Fermez le couvercle du boîtier de rangement (3) et vérifiez le verrouillage.

Attention! Fermez correctement le couvercle avant d'utiliser la scie.

Raccordement d'un aspirateur à l'outil (figure D)

Il faut un adaptateur pour connecter l'aspirateur ou le récupérateur de poussière à l'outil. L'adaptateur (6) peut être acheté auprès d'un revendeur Black & Decker.

- ◆ Poussez l'adaptateur (6) dans la sortie de refoulement de poussière (5).
- ◆ Raccordez le tuyau d'aspirateur à l'adaptateur (6).

Risques résiduels

L'utilisation d'un outil non mentionné dans les consignes de sécurité données peut entraîner des risques résiduels supplémentaires. Ces risques peuvent survenir si l'outil est mal utilisé, si l'utilisation est prolongée, etc.

Malgré l'application des normes de sécurité correspondantes et la présence de dispositifs de sécurité, les risques résiduels suivants ne peuvent être évités. Ceci comprend:

- ◆ Les blessures dues au contact avec une pièce mobile/ en rotation.
- ◆ Les blessures causées en changeant des pièces, lames ou accessoires.
- ◆ Les blessures dues à l'utilisation prolongée d'un outil. Une utilisation prolongée de l'outil nécessite des pauses régulières.

- ◆ Déficience auditive.
- ◆ Risques pour la santé causés par l'inhalation de poussières produites pendant l'utilisation de l'outil (exemple: travail avec du bois, surtout le chêne, le hêtre et les panneaux en MDF).

- ◆ Tirez la semelle (7) vers l'avant et réglez le biseau sur 15°, 30° et 45° comme indiqué.
- ◆ Repoussez le levier de verrouillage (4) vers la scie pour verrouiller la semelle (7).

Pour remettre la semelle (7) en position de coupe droite:

- ◆ Tirez le levier de verrouillage (4) vers l'extérieur pour déverrouiller la semelle (7).
- ◆ Installez la semelle (7) dans un angle d'environ 0°, puis poussez-la vers l'arrière.
- ◆ Repoussez le levier de verrouillage (4) vers la scie pour verrouiller la semelle (7).

Utilisation

Réglage de semelle pour coupe en biais (figure E et F)

Attention! N'utilisez jamais l'outil sans la semelle, ou si celle-ci est desserrée.

La semelle (7) peut être réglée pour un angle de biseau gauche ou droit allant jusqu'à 45°.

- ◆ Tirez le levier de verrouillage de la semelle (4) vers l'extérieur pour déverrouiller la semelle (7) de la position 0° (figure E).

Utilisation du bouton de sélection Auto Select™ (figure G)

Cet outil est muni d'un bouton Auto Select™ (8) qui permet de régler la vitesse et la coupe pour différentes applications. Pour sélectionner la vitesse maximale et la coupe pour le type de matériau à couper, tournez le bouton (8) comme indiqué sur le tableau ci-dessous:

	Icône	Application	Vitesse/ Balancier	Type de lame
		Plans de travail pour cuisine, tables de travail, panneau en contreplaqué	Vitesse rapide, sans balancier	Bois en général
		Chantournage/ courbes/ artisanat, bois dur, terrasse, plancher	Vitesse rapide, sans balancier	Bois de marqueterie Bois en général
		Contreplaqué et panneaux de bois	Vitesse rapide, balancier moyen	Bois en général
		Billot, bois tendre, coupe de refente rapide	Vitesse rapide, balancier maximum	Bois en général
		Plastique, Perspex, PVC	Vitesse moyenne, balancier moyen	À usage multiple
		Feuille fer blanc, tuile céramique, feuille en fibre de verre	Faible vitesse, sans balancier	Métal ou céramique ou lame de fibre de verre
		Faible vitesse, démarrage de précision	Faible vitesse, sans balancier	Choisir la lame correspondant à l'application

Démarrer et arrêter

- ◆ Pour mettre l'outil en marche, appuyez sur le bouton marche/arrêt (2).
- ◆ Pour arrêter l'outil, relâchez le bouton marche/arrêt (2).
- ◆ Pour une coupe continue, appuyez sur le bouton de verrouillage (1) et relâchez le bouton marche/arrêt (2).
- ◆ Pour arrêter l'outil pendant une coupe continue, appuyez puis relâchez le bouton marche/arrêt (2).

Scier

Tenez fermement l'outil avec les deux mains pendant la découpe. La semelle (7) doit s'appuyer fermement contre la pièce à découper. Ceci permet d'éviter les sursauts de la scie, de réduire les vibrations et de diminuer la casse des lames.

- ◆ Laissez la lame fonctionner librement pendant quelques secondes avant de commencer la découpe.
- ◆ N'appliquez qu'une légère pression sur l'outil pendant la découpe.

Utilisation du laser (figure H - K)(référence 'L' uniquement)

Installation des piles (figure H)

Dévissez la vis (13) et retirez le module laser (14) en le tirant vers l'avant. Insérez dans le bon sens les deux nouvelles piles 1,5 V AAA. Refixez le module laser (14).

Réglage du laser (figure I)

Remarque: le laser facilite le travail de coupe mais ne garantit pas la précision.

Attention! N'ajustez pas le laser avec la scie sauteuse branchée.

- ◆ Utilisez la vis de réglage (15) sur le module laser pour aligner la ligne laser avec la lame, si nécessaire.

Le laser sera moins visible en cas de surchauffe de la scie. Le laser peut être invisible si la scie est en surcharge pendant une période prolongée. Il réapparaît progressivement quand l'outil refroidit, même quand l'outil est débranché.

Attention! Ne pas laisser un laser surchauffé en marche. Assurez-vous que l'interrupteur est en position OFF (arrêt) et retirez les piles pour ne plus alimenter le laser.

Utilisation du laser (figure J et K)

Le laser projette la ligne de coupe (18) sur la surface de la pièce.

- ◆ Pour mettre le laser en marche, appuyez sur le bouton (16).
- ◆ Pour arrêter le laser, appuyez de nouveau sur le bouton (16).

En regardant directement au-dessus de la scie, il est facile de suivre la ligne de coupe (17). Si, pour une raison quelconque le rayon n'est pas visible, le laser peut être utilisé comme second guide de coupe.

- ◆ Utilisez un crayon pour repérer la ligne de coupe (17).
- ◆ Positionnez la scie sur la ligne (17).
- ◆ Mettez en marche le laser.

Utilisation de la lampe de travail (figure L et M) (référence 'W' uniquement)

Les appareils avec référence 'W' dans le numéro de catalogue sont équipés d'une lampe (19) qui éclaire autour de la lame.

- ◆ Pour allumer la lampe, glissez le bouton (20) sur la position (I).
- ◆ Pour éteindre la lampe, glissez le bouton (20) sur la position (0).

Conseils pour une utilisation optimale

Coupe de contreplaqué

Les éclats dus à la découpe du contreplaqué, peuvent endommager la surface apparente. La plupart des lames coupent en montant. Si la semelle est posée sur la surface apparente, utilisez une lame qui coupe en descendant ou:

- ◆ Utilisez une lame à dents fines.
- ◆ Sciez à partir de l'arrière de la pièce.
- ◆ Pour limiter les éclats, serrez un morceau de bois ou de panneau dur des deux côtés de la pièce et sciez à travers cette épaisseur.

Coupe du métal

Scier du métal prend beaucoup plus de temps que de scier du bois.

- ◆ Utilisez une lame adaptée à la coupe de métal.
- ◆ Pour couper une fine épaisseur de métal, serrez une pièce de bois à l'arrière de la pièce à couper et sciez à travers l'épaisseur.
- ◆ Appliquez un filet d'huile le long de la ligne de coupe.

Entretien

Votre outil Black & Decker a été conçu pour fonctionner pendant longtemps avec un minimum d'entretien. Un fonctionnement continu satisfaisant dépend d'un nettoyage régulier et d'un entretien approprié de l'outil.

- ◆ Nettoyez régulièrement les orifices de ventilation de votre outil à l'aide d'une brosse souple ou d'un chiffon sec.
- ◆ Nettoyez régulièrement le compartiment du moteur à l'aide d'un chiffon humide. N'utilisez pas de produit abrasif ou à base de solvant. Évitez toute pénétration de liquide dans l'outil et ne plongez aucune pièce dans du liquide.

Protection de l'environnement



Recyclage. Cet appareil ne doit pas être jeté avec les déchets ménagers.

Si votre appareil Black & Decker doit être remplacé ou si vous n'en avez plus l'usage, ne le jetez pas avec les ordures ménagères. Songez à la protection de l'environnement et recyclez-les.



La collecte séparée des produits et des emballages usagés permet de recycler et de réutiliser des matériaux. La réutilisation de matériaux recyclés évite la pollution de l'environnement et réduit la demande de matières premières.

Des réglementations locales peuvent stipuler la collecte séparée des produits électriques et des produits ménagers, dans des déchetteries municipales ou par le revendeur lorsque vous achetez un nouveau produit.

Black & Decker offre une solution permettant de recycler les produits Black & Decker lorsqu'ils ont atteint la fin de leur cycle de vie. Pour pouvoir profiter de ce service, veuillez retourner votre produit à un réparateur agréé qui se chargera de le collecter pour nous.

Pour connaître l'adresse du réparateur agréé le plus proche de chez vous, contactez le bureau Black & Decker à l'adresse indiquée dans ce manuel. Vous pourrez aussi trouver une liste de réparateurs agréés de Black & Decker et de plus amples détails concernant notre service après-vente sur le site Internet: **www.2helpU.com**.

Batteries



Quand les batteries sont hors d'usage, jetez-les en respectant les normes de protection de l'environnement.

- ◆ Ne court-circuitez pas les bornes de la batterie.
- ◆ Ne jetez pas la ou les batteries dans le feu, elles pourraient exploser ou être à l'origine d'un risque de blessure.
- ◆ Déchargez complètement la batterie, puis retirez-la de l'appareil.
- ◆ Les batteries sont recyclables. Placez la ou les batteries dans un emballage approprié pour éviter un court-circuit des bornes. Déposez-les chez un technicien d'entretien agréé ou dans un centre de recyclage local.

Caractéristiques techniques

		KS900S	KS900SL	KS950S
		TYPE 1	TYPE 1	TYPE 1
Tension	V c.a.	230	230	230
Puissance nominale	W	620	620	650
Aucune vitesse de charge	min ⁻¹	800-3200	800-3200	800-3200
Profondeur maximum de coupe				
Bois	mm	85	85	85
Acier	mm	5	5	5
Aluminium	mm	15	15	15
Poids	kg	2,65	2,65	2,65
(avec laser)	kg	2,95	2,95	2,95

Niveau de pression sonore selon la norme EN 60745:

Pression sonore (L_{pA}) 87 dB(A), incertitude (K) 3 dB(A), Puissance sonore (L_{WA}) 98 dB(A), incertitude (K) 3 dB(A)

Valeurs totales des vibrations (somme vectorielle triaxiale) selon la norme EN 60745:

Coupe, bois ($a_{h,CW}$) 8,5 m/s², incertitude (K) 1,5 m/s², Coupe, métal ($a_{h,CM}$) 7,3 m/s², incertitude (K) 1,5 m/s²

Déclaration de conformité CE

DIRECTIVES DE MACHINERIE



KS900S, KS900SL, KS950SL

Black & Decker déclare que les produits décrits sur la fiche technique sont conformes à la norme: 2006/42/EC, EN60745-1, EN60745-2-11

Pour plus de renseignements, veuillez contacter Black & Decker à l'adresse suivante ou reportez-vous au dos du manuel.

Le soussigné est responsable des données de la fiche technique et fait cette déclaration au nom de Black & Decker

Kevin Hewitt
Vice-President Global
Engineering
Black & Decker Europe,
210 Bath Road, Slough,
Berkshire, SL1 3YD
Royaume-Uni
07-07-2010

Pour avoir recours à la garantie, il est nécessaire de fournir une preuve d'achat au vendeur ou à un réparateur agréé. Pour connaître l'adresse du réparateur agréé le plus proche de chez vous, contactez le bureau Black & Decker à l'adresse indiquée dans ce manuel. Vous pourrez aussi trouver une liste de réparateurs agréés de Black & Decker et de plus amples détails sur notre service après-vente sur le site Internet à l'adresse suivante: **www.2helpU.com**

Visitez notre site Web **www.blackanddecker.fr** pour enregistrer votre nouveau produit Black & Decker et être informé des nouveaux produits et des offres spéciales. Pour plus d'informations concernant la marque Black & Decker et notre gamme de produits, consultez notre site **www.blackanddecker.fr**.

Garantie

Black & Decker vous assure la qualité de ses produits et vous offre une garantie très étendue. Ce certificat de garantie est un document supplémentaire et ne peut en aucun cas se substituer à vos droits légaux. La garantie est valable sur tout le territoire des États Membres de l'Union Européenne et de la Zone de Libre Échange Européenne.

Si un produit Black & Decker s'avère défectueux en raison de matériaux en mauvais état, d'une erreur humaine, ou d'un manque de conformité dans les 24 mois suivant la date d'achat, Black & Decker garantit le remplacement des pièces défectueuses, la réparation des produits usés ou cassés ou remplace ces produits à la convenance du client, sauf dans les circonstances suivantes:

- ◆ Le produit a été utilisé dans un but commercial, professionnel, ou a été loué.
- ◆ Le produit a été mal utilisé ou avec négligence.
- ◆ Le produit a subi des dommages à cause de corps étrangers, de substances ou d'accidents.
- ◆ Des réparations ont été tentées par des techniciens ne faisant pas partie du service technique de Black & Decker.

Použití výrobku

Vaše přímočará pila Black & Decker je určena k řezání dřeva, plastů a kovů. Toto nářadí je určeno pouze pro spotřebitelské použití.

Bezpečnostní pokyny

Všeobecné bezpečnostní pokyny pro práci s elektrickým nářadím



Varování! Přečtěte si všechny bezpečnostní pokyny a bezpečnostní výstrahy. Nedodržení uvedených varování a pokynů může vést k úrazu elektrickým proudem, požáru a vážnému zranění.

Veškerá bezpečnostní varování a pokyny uschovejte pro případné další použití. Termín „elektrické nářadí“ ve všech upozorněních odkazuje na vaše nářadí napájené ze sítě (je opatřeno napájecím kabelem) nebo nářadí napájené baterií (bez napájecího kabelu).

1. Bezpečnost na pracovišti

- a. **Pracovní prostor udržujte čistý a dobře osvětlený.** Přeplněný a neosvětlený pracovní prostor může vést k způsobení úrazů.
- b. **Nepracujte s elektrickým nářadím ve výbušném prostředí, jako jsou například prostory s výskytem hořlavých kapalin, plynů nebo prašných látek.** V elektrickém nářadí dochází k jiskření, které může způsobit vznícení hořlavého prachu nebo výparů.
- c. **Při práci s nářadím zajistěte bezpečnou vzdálenost dětí a ostatních osob.** Rozptylování může způsobit ztrátu kontroly nad nářadím.

2. Elektrická bezpečnost

- a. **Zástrčka napájecího kabelu nářadí musí odpovídat zásuvce. Zástrčku nikdy žádným způsobem neupravujte. U nářadí chráněného zemněním nepoužívejte žádné redukce zástrček.** Neupravované zástrčky a odpovídající zásuvky snižují riziko vzniku úrazu elektrickým proudem.
- b. **Nedotýkejte se uzemněných povrchů, jako jsou například potrubí, radiátory, elektrické sporáky a chladničky.** Při uzemnění vašeho těla vzrůstá riziko úrazu elektrickým proudem.
- c. **Nevystavujte elektrické nářadí dešti nebo vlhkému prostředí.** Vnikne-li do elektrického nářadí voda, zvýší se riziko úrazu elektrickým proudem.

- d. **S napájecím kabelem zacházejte opatrně. Nikdy nepoužívejte napájecí kabel k přenášení nebo posouvání nářadí a netahejte za něj, chcete-li nářadí odpojit od elektrické sítě. Zabraňte kontaktu kabelu s mastnými, horkými a ostrými předměty nebo pohyblivými částmi.** Poškozený nebo zauzlený napájecí kabel zvyšuje riziko úrazu elektrickým proudem.
- e. **Při práci s nářadím venku používejte prodlužovací kabely určené pro venkovní použití.** Použití kabelu pro venkovní použití snižuje riziko úrazu elektrickým proudem.
- f. **Při práci s elektrickým nářadím ve vlhkém prostředí musí být v napájecím okruhu použit proudový chránič (RCD).** Použití proudového chrániče (RCD) snižuje riziko úrazu elektrickým proudem.

3. Bezpečnost obsluhy

- a. **Zůstaňte stále pozorní, sledujte, co provádíte a při práci s elektrickým nářadím pracujte s rozvahou. Nepoužívejte elektrické nářadí, jste-li unaveni nebo jste-li pod vlivem drog, alkoholu nebo léků.** Chvilka nepozornosti při práci s elektrickým nářadím může vést k vážnému úrazu.
- b. **Používejte prvky osobní ochrany. Vždy používejte ochranu zraku.** Ochranné prostředky jako respirátor, neklouzavá pracovní obuv, přilba a chrániče sluchu, používané v příslušných podmínkách, snižují riziko poranění osob.
- c. **Zabraňte náhodnému spuštění. Před připojením zdroje napětí nebo před vložením baterie a před zvednutím nebo přenášením nářadí zkontrolujte, zda je vypnutý hlavní spínač.** Přenášení elektrického nářadí s prstem na hlavním spínači nebo připojení napájecího kabelu k elektrické síti, je-li hlavní spínač nářadí v poloze zapnuto, může způsobit úraz.
- d. **Před spuštěním nářadí se vždy ujistěte, zda nejsou v jeho blízkosti klíče nebo seřizovací přípravky.** Seřizovací klíče ponechané na nářadí mohou být zachyceny rotujícími částmi nářadí a mohou způsobit úraz.
- e. **Nepřekázejte sami sobě. Při práci vždy udržujte vhodný a pevný postoj.** Tak je umožněna lepší ovladatelnost nářadí v neočekávaných situacích.

- f. **Vhodně se oblékejte. Nenoste volný oděv nebo šperky. Dbejte na to, aby se vaše vlasy, oděv a rukavice nedostaly do kontaktu s pohyblivými částmi.** Volný oděv, šperky nebo dlouhé vlasy mohou být pohyblivými díly zachyceny.
- g. **Pokud jsou zařízení vybavena adaptérem pro připojení odsávacího zařízení, zajistěte jeho správné připojení a řádnou funkci.** Použití těchto zařízení může snížit nebezpečí týkající se prachu.
4. **Použití elektrického náradí a jeho údržba**
- a. **Nepřetěžujte elektrické náradí. Používejte pro vaši práci správný typ elektrického náradí.** Při použití správného typu náradí bude práce provedena lépe a bezpečněji.
- b. **Pokud nelze hlavní spínač náradí zapnout a vypnout, s náradím nepracujte.** Každé elektrické náradí s nefunkčním hlavním spínačem je nebezpečné a musí být opraveno.
- c. **Před seřizováním náradí, před výměnou příslušenství nebo pokud náradí nepoužíváte, odpojte zástrčku napájecího kabelu od zásuvky nebo z náradí vyjměte baterii.** Tato preventivní bezpečnostní opatření snižují riziko náhodného spuštění náradí.
- d. **Pokud náradí nepoužíváte, uložte jej mimo dosah dětí a zabraňte tomu, aby bylo toto náradí použito osobami, které nejsou seznámeny s jeho obsluhou nebo s tímto návodem.** Elektrické náradí je v rukou ne kvalifikované obsluhy nebezpečné.
- e. **Provádějte údržbu elektrického náradí. Zkontrolujte vychýlení nebo zablokování pohyblivých částí, poškození jednotlivých dílů a jiné okolnosti, které mohou ovlivnit chod náradí. Je-li náradí poškozeno, nechejte jej před použitím opravit.** Mnoho nehod bývá způsobeno zanedbanou údržbou náradí.
- f. **Řezné nástroje udržujte ostré a čisté.** Řádně udržované řezné nástroje s ostrými řeznými břity jsou méně náchylné k zanášení nečistotami a lépe se s nimi manipuluje.
- g. **Používejte elektrické náradí, příslušenství a držáky nástrojů podle těchto pokynů a berte v úvahu provozní podmínky a práci, která bude prováděna.** Použití elektrického náradí k jiným účelům, než k jakým je určeno, může být nebezpečné.

5. Opravy

- a. **Opravy elektrického náradí svěřte kvalifikovanému technikovi, který bude používat originální náhradní díly.** Tím zajistíte bezpečný provoz náradí.

Doplňkové bezpečnostní pokyny pro práci s elektrickým náradím



Varování! Doplňkové bezpečnostní pokyny pro přímočaré pily

- ♦ **Při provádění prací, u kterých může dojít ke kontaktu pracovního nástroje se skrytým elektrickým vedením nebo s vlastním napájecím kabelem, držte náradí za izolované povrchy.** Při kontaktu s „živým“ vodičem způsobí neizolované kovové části náradí obsluze úraz elektrickým proudem.
- ♦ **Pro zajištění a upnutí obrobku k pracovnímu stolu používejte svorky nebo jiné vhodné prostředky.** Držení obrobku rukou nebo opření obrobku o část těla nezajistí jeho stabilitu a může vést k ztrátě kontroly.
- ♦ **Udržujte ruce v bezpečné vzdálenosti od řezného prostoru.** Ze žádného důvodu nikdy nesahejte do prostoru pod obrobek. Nevkládejte prsty nebo palec do blízkosti pilového listu a upínací svorky pilového listu. Nepokoušejte se stabilizovat pilu uchopením patky pily.
- ♦ **Udržujte pilové listy ostré.** Tupé nebo poškozené pilové listy mohou při práci způsobit vychýlení nebo zablokování pilového listu. Vždy používejte typ pilového listu odpovídající materiálu obrobku a typu řezu.
- ♦ **Při řezání trubek a potrubí se ujistěte, zda se v nich nenachází elektrické vodiče, voda atd.**
- ♦ **Nedotýkejte se obrobku nebo pilového listu ihned po ukončení řezu.** Mohou být velmi horké.
- ♦ **Dávejte pozor na skrytá nebezpečí. Před řezáním do stěn, podlah a stropů zkontrolujte polohu elektrických vodičů a potrubí.**
- ♦ **Po uvolnění hlavního spínače bude pilový list pokračovat v pohybu.** Před odložením pily vždy uvolněte hlavní spínač a počkejte, dokud nedojde k úplnému zastavení pilového listu.

Varování! Kontakt nebo vdechování prachu a pilin, které vznikají při řezání, může ohrozit zdraví pracovníka i okolo stojících osob. Používejte

masku proti prachu určenou speciálně na ochranu před toxickým prachem a podobnými látkami a zajistěte, aby byly takto chráněny všechny osoby nacházející se nebo vstupující do pracovního prostoru.

- ♦ V tomto návodu je popsáno určené použití tohoto náradí. Použití jiného příslušenství nebo přídatného zařízení a provádění jiných pracovních operací než je doporučeno tímto návodem, může představovat riziko zranění obsluhy nebo riziko způsobení hmotných škod.

Bezpečnost ostatních osob

- ♦ Toto zařízení není určeno k použití osobami (včetně dětí) se sníženými fyzickými, smyslovými nebo duševními schopnostmi, nebo nedostatkem zkušeností a znalostí, pokud těmto osobám nebyl stanoven dohled, nebo pokud jim nebyly poskytnuty instrukce týkající se použití zařízení osobou zodpovědnou za jejich bezpečnost.
- ♦ Děti by měly být pod dozorem, aby si s náradím nehrály.

Vibrace

Deklarovaná úroveň vibrací uvedená v technických údajích a v prohlášení o shodě byla měřena v souladu se standardní zkušební metodou předepsanou normou EN 60745 a může být použita pro srovnání jednotlivých náradí mezi sebou. Deklarovaná úroveň vibrací může být také použita k předběžnému stanovení doby práce s tímto náradím.

Varování! Úroveň vibrací při aktuálním použití elektrického náradí se může od deklarované úrovně vibrací lišit v závislosti na způsobu použití náradí. Úroveň vibrací může být vzhledem k uvedené hodnotě vyšší.

Při stanovení doby působení vibrací, z důvodu určení bezpečnostních opatření podle normy 2002/44/EC k ochraně osob pravidelně používajících elektrické náradí v zaměstnání, by měl předběžný odhad působení vibrací brát na zřetel aktuální podmínky použití náradí s přihlédnutím na všechny části pracovního cyklu, jako jsou doby, při které je náradí vypnuto a kdy běží naprázdno.

Štítky na náradí



Varování! Z důvodu snížení rizika způsobení úrazu si uživatel musí přečíst tento návod k obsluze.

Elektrická bezpečnost



Toto náradí je opatřeno dvojitou izolací. Proto není nutné použití uzemňovacího vodiče. Vždy zkontrolujte, zda napájecí napětí odpovídá napětí na výkonovém štítku.

- ♦ Toto náradí není určeno pro použití nezletilými nebo nezkušenými osobami bez dozoru. Děti musí být pod dozorem, aby si s náradím nehrály.
- ♦ Je-li poškozen napájecí kabel, musí být vyměněn výrobcem nebo v autorizovaném servisu Black & Decker, aby bylo zabráněno možným rizikům.

Další bezpečnostní pokyny pro baterie, které nejsou určeny k nabíjení

- ♦ Nikdy se nepokoušejte narušit obal baterie.
- ♦ Neskladujte baterie na místech, kde může teplota přesáhnout 40 °C.
- ♦ Při likvidaci baterií se řiďte pokyny uvedenými v části „Ochrana životního prostředí“.

Baterie nespalujte.

- ♦ V extrémních podmínkách může docházet k úniku kapaliny z baterie. Zjistíte-li únik kapaliny z baterie, postupujte následovně:
 - Opatrně setřete kapalinu hadříkem. Dbejte na to, aby se tato kapalina nedostala do kontaktu s pokožkou.

Další bezpečnostní pokyny týkající se laserů



Přečtěte si pečlivě celý tento návod.



Tento výrobek není určen pro osoby mladší 16 let.



Laserové záření.



Nedívejte se do laserového paprsku.



Nepoužívejte pro sledování laserového paprsku optické přístroje.

- ♦ Tento laser splňuje požadavky týkající se zařízení třídy 2 specifikované normou EN60825-1:2007. Nenahrazujte diodu laseru diodou jiného typu. Je-li laser poškozen, světe opravu laseru pouze autorizovanému servisu.
- ♦ Nepoužívejte laser k jiným účelům, než je projekce laserových paprsků.
- ♦ Působení paprsku laseru třídy 2 na zrak osob

je považováno za bezpečné, nepřekročí-li doba trvání záření maximálně 0,25 sekundy. Reflexy očních víček poskytují dostatečnou ochranu. Ve vzdálenosti větší než 1 m odpovídá tento laser zařízení třídy 1, a proto je považován za zcela bezpečný.

- ◆ Nikdy se do laserového paprsku nedívejte záměrně a přímo.
- ◆ Nepoužívejte pro sledování laserového paprsku optické přístroje.
- ◆ Neprovádějte nastavení přístroje do takové výšky, aby mohl laserový paprsek procházet přes osoby ve výšce jejich hlav.
- ◆ Nedovolte dětem, aby se přibližovaly do blízkosti laseru.

Popis

1. Zajišťovací tlačítko
2. Hlavní spínač (Zapnuto / Vypnuto)
3. Kryt úložného prostoru pro pilové listy
4. Zajišťovací páčka základny pily
5. Výstup pro odvod prachu
6. Adaptér pro odsávání
7. Základna pily
8. Volič Auto Select™
9. Opěrná kladka pilového listu
10. Rychloupínání pilového listu

Další funkce (obr. A)

V závislosti na výrobku, jaký jste si zakoupili, mohou být k dispozici další funkce. Další funkce, podle katalogového čísla zakoupeného výrobku, jsou zobrazeny na obr. A.

Sestavení

Varování! Před provedením následujících operací se ujistěte, zda je nářadí vypnuto, odpojeno od zdroje napětí a zda došlo k úplnému zastavení pilového listu. Použité pilové listy mohou být horké.

Upnutí pilového listu (obr. B)

- ◆ Uchopte pilový list (11) jako na uvedeném obrázku tak, aby jeho zuby směřovaly dopředu.
- ◆ Stlačte a držte v dolní poloze upínací mechanismus pilového listu (10).
- ◆ Zasuňte upínací stopku pilového listu co nejdále do držáku pilového listu (12).
- ◆ Uvolněte upínací mechanismus pilového listu (10).

Uložení pilového listu (obr. C)

Pilové listy (11) mohou být uloženy v úložném prostoru, který se nachází v boční části nářadí.

- ◆ Otevřete kryt (3) úložného prostoru pro pilové listy uchopením výstupku na horní části krytu (3) a vyklopením krytu směrem ven.
- ◆ Pilové listy jsou v úložném prostoru připevněny pomocí magnetického pásku. Chcete-li pilový list z úložného prostoru vyjmout, stiskněte jeden konec pilového listu, aby došlo k zdvižení jeho opačného konce a pilový list vyjměte.
- ◆ Zavřete kryt (3) úložného prostoru pilových listů a ujistěte se, zda je kryt řádně uzavřen.

Varování! Před použitím pily se ujistěte, zda je kryt úložného prostoru řádně uzavřen.

Připojení vysavače k nářadí (obr. D)

Chcete-li k nářadí připojit vysavač nebo odsávací zařízení, musíte použít adaptér. Adaptér pro odsávání (6) můžete zakoupit u nejbližšího autorizovaného prodejce Black & Decker.

- ◆ Nasuňte adaptér (6) na výstup pro odvod prachu (5).
- ◆ Připojte k adaptéru (6) hadici vysavače.

Zbytková rizika

Je-li nářadí používáno jiným způsobem, než je uvedeno v příložených bezpečnostních varováních, mohou se objevit dodatečná zbytková rizika. Tato rizika mohou vzniknout v důsledku nesprávného použití, dlouhodobého použití atd.

Přestože jsou dodržovány příslušné bezpečnostní předpisy a jsou používána bezpečnostní zařízení, nemohou být vyloučena určitá zbytková rizika. Tato rizika jsou následující:

- ◆ Zranění způsobená kontaktem s jakoukoli rotující nebo pohybující se částí.
- ◆ Zranění způsobená při výměně dílů, pracovního nástroje nebo příslušenství.
- ◆ Zranění způsobená dlouhodobým použitím nářadí. Používáte-li jakékoli nářadí delší dobu, zajistěte, aby byly prováděny pravidelné přestávky.
- ◆ Poškození sluchu.
- ◆ Zdravotní rizika způsobená vdechováním prachu vytvářeného při použití nářadí (příklad: - práce se dřevem, zejména s dubovým, bukovým a MDF).

Použití

Nastavení základny pily pro provádění šikmých řezů (obr. E a F)

Varování! Nikdy nepoužívejte toto nářadí, je-li sejmuta nebo uvolněna základna pily. Základna pily (7) může být nastavena doleva nebo doprava pro provádění šikmých řezů až do úhlu 45°.

- ♦ Vysuňte zajišťovací páčku základny pily (4) směrem ven, aby došlo k uvolnění základny pily (7) z polohy 0° (obr. E).
- ♦ Zatlačte základnu pily (7) směrem dopředu a nastavte požadovaný úhel šikmého řezu 15°, 30° nebo 45°, který je indikován v okénku úhlu šikmého řezu.
- ♦ Zatlačte zajišťovací páčku základny pily (4) zpět k pile, aby došlo k zajištění základny pily (7).

Nastavení základny pily (7) zpět do polohy pro přímé řezy:

- ♦ Vytáhněte zajišťovací páčku základny pily (4) směrem ven, aby došlo k odjištění základny pily (7).
- ♦ Nastavte základnu pily (7) na úhel 0° a zatlačte základnu pily dozadu.
- ♦ Zatlačte zajišťovací páčku základny pily (4) zpět k pile, aby došlo k zajištění základny pily (7).

Jak používat volič Auto Select™ (obr. G)

Toto nářadí je vybaveno unikátním voličem Auto Select™ (8), který umožňuje nastavení otáček a předkmitu pilového listu pro provádění různých řezů. Chcete-li pro materiál, který budete řezat, zvolit optimální otáčky a předkmit pilového listu, nastavte volič (8) podle pokynů uvedených v následující tabulce:

	Ikonka	Použití	Otáčky/ předkmit	Typ pilového listu
		Kuchyňské desky, desky pracovních stolů, vrstvené desky	Vysoké otáčky, bez předkmitu	Běžný na dřevo
		Lupenkové řezy, oblouky, ruční práce, tvrdá dřeva, obklady, podlahy	Vysoké otáčky, bez předkmitu	Lupenkový na dřevo Běžný na dřevo
		Překlížka a dřevěné panely	Vysoké otáčky, střední předkmit	Běžný na dřevo
		Řezivo, měkké dřevo, rychlé příčné řezy	Vysoké otáčky, maximální předkmit	Běžný na dřevo
		Plasty, plexisklo, PVC	Střední otáčky, střední předkmit	Univerzální
		Tabulové plechy, keramické obklady, laminátové desky	Nízké otáčky, bez předkmitu	Na kov, keramiku nebo lamináty
		Nízké otáčky, přesné zahájení řezu	Nízké otáčky, bez předkmitu	Zvolte správný pilový list pro prováděný řez

Zapnutí a vypnutí

- ◆ Chcete-li nářadí zapnout, stiskněte hlavní spínač (2).
- ◆ Chcete-li nářadí vypnout, uvolněte hlavní spínač (2).
- ◆ Nepřetržitý chod nářadí zajistíte stisknutím zajišťovacího tlačítka (1) a uvolněním hlavního spínače (2).
- ◆ Chcete-li nářadí v režimu nepřetržitého chodu vypnout, stiskněte znovu spínač (2) a potom jej uvolněte.

Řezání

Během řezání držte nářadí pevně oběma rukama. Základna pily (7) by měla být pevně opřena o materiál, který bude řezán. Tímto způsobem zabráníte odskakování pily, omezíte vibrace a budete minimalizovat poškození pilového listu.

- ◆ Před zahájením řezu nechte pilový list několik sekund v chodu naprázdno.
- ◆ Při provádění řezu vyvíjejte na nářadí pouze mírný tlak.

Použití laseru (obr. H - K) (pouze modely L)

Vložení baterií (obr. H)

Vyšroubujte šroub (13) a vytažením modulu směrem dopředu odpojte modul laseru (14) od přímočaré pily. Vložte do modulu dvě nové alkalické baterie velikosti AAA 1,5 V a ujistěte se, zda je správně dodržena polarita (+) and (-). Připevněte modul laseru (14) opět k pile.

Boční seřízení laseru (obr. I)

Poznámka: Laser slouží jako pomůcka pro provádění řezů a nezaručuje přesný řez.

Varování! Neprovádějte seřízení laseru, je-li napájecí kabel pily připojen k zásuvce.

- ◆ Je-li to nutné, použijte pro srovnání laserového paprsku s pilovým listem seřizovací šroub laseru (15).

Viditelnost laserového paprsku (výkon) bude při přehřátí přímočaré pily omezen. Bude-li přímočará pila dlouhodobě přetížena, laserový paprsek nemusí být viditelný. Viditelnost laserového paprsku se bude postupně vracet k normálu, bude-li nářadí postupně chladnout, a to i v případě, bude-li napájecí kabel nářadí odpojen od zásuvky.

Varování! Nenechávejte přehřátý laser zapnutý. Ujistěte se, zda je spínač v poloze VYPNUTO a chcete-li laser odpojit, vyjměte z modulu laseru baterie.

Použití laseru (obr. J a K)

Laser promítá čáru řezu (18) na povrch obrobku.

- ◆ Chcete-li laser zapnout, stiskněte tlačítko (16).
- ◆ Chcete-li laser vypnout, stiskněte znovu tlačítko (16).

Při pohledu shora může být čára řezu (17) velmi snadno sledována. Pokud by toto sledování bylo z jakéhokoli důvodu omezeno, laserový paprsek může být použit jako alternativní vodič pro provádění řezu.

- ◆ Vyznačte si čáru řezu (17) tužkou.
- ◆ Položte přímočarou pilu na čáru řezu (17).
- ◆ Zapněte laser.

Použití pracovního světla (obr. L a M) (pouze modely W)

Modely, jejichž katalogové číslo obsahuje písmeno W, jsou vybaveny diodovou svítilnou (19), která osvětluje pracovní plochu v blízkosti pilového listu.

- ◆ Chcete-li pracovní světlo zapnout, nastavte spínač (20) do polohy (I).
- ◆ Chcete-li pracovní světlo vypnout, nastavte spínač (20) do polohy (0).

Rady pro optimální použití

Řezání vrstvených materiálů

Při řezání vrstvených materiálů může docházet k štípání, které může způsobit poškození povrchu obrobku. Většina běžných pilových listů provádí řez během pohybu nahoru. Proto v situaci, kdy je základna pily postavena na povrchu obrobku, použijte pilový list, který provádí řez během pohybu dolů nebo:

- ◆ Použijte pilový list s jemnými zuby.
- ◆ Provádějte řez na opačné straně obrobku.
- ◆ Chcete-li minimalizovat štípání obrobku, upněte na obě strany obrobku kousek odpadového dřeva nebo dřevotřísky a provedte řez přes celou tuto sestavu.

Řezání kovů

Uvědomte si, že řezání kovu zabere mnohem více času než řezání dřeva.

- ◆ Používejte pilové listy vhodné pro řezání kovu.
- ◆ Při řezání tenkých kovových plechů upněte na spodní stranu obrobku kousek odpadového dřeva a provedte řez přes celou tuto sestavu.
- ◆ Naneste podél čáry řezu tenký olejový film.

Údržba

Vaše nářadí Black & Decker bylo zkonstruováno tak, aby pracovalo po dlouhou dobu s minimálními nároky na údržbu. Řádná péče o nářadí a jeho

pravidelné čištění vám zajistí jeho bezproblémový chod.

- ♦ Větrací otvory náradí pravidelně čistěte měkkým kartáčem nebo suchým hadříkem.
- ♦ Pomocí vlhkého hadříku pravidelně čistěte kryt motoru. Nepoužívejte žádné abrazivní čisticí prostředky nebo rozpouštědla. Nikdy nedovolte, aby se do náradí dostala jakákoli kapalina. Nikdy neponořujte žádnou část náradí do kapaliny.

Ochrana životního prostředí



Tříděte odpad. Tento výrobek nesmí být vyhozen do běžného domácího odpadu.

Pokud nebudete výrobek Black & Decker dále používat nebo přejete-li si jej nahradit novým, nelikvidujte jej spolu s běžným komunálním odpadem. Zlikvidujte tento výrobek v tříděném odpadu.



Tříděný odpad umožňuje recyklaci a opětovné využití použitých výrobků a obalových materiálů. Opětovné použití recyklovaných materiálů pomáhá chránit životní prostředí před znečištěním a snižuje spotřebu surovin.

Při zakoupení nových výrobků vám prodejny, místní sběrný odpadů nebo recyklační stanice poskytnou informace o správné likvidaci elektroodpadů z domácnosti.

Společnost Black & Decker poskytuje službu sběru a recyklace výrobků Black & Decker po skončení jejich provozní životnosti. Chcete-li získat výhody této služby, odevzdejte prosím váš výrobek kterémukoli autorizovanému zástupci servisu, který náradí odebere a zajistí jeho recyklaci.

Místo nejbližšího autorizovaného servisu Black & Decker naleznete na příslušné adrese uvedené v tomto návodu. Seznam autorizovaných servisů Black & Decker a podrobnosti o poprodejním servisu naleznete také na internetové adrese: www.2helpU.com.

Baterie



Po ukončení jejich životnosti je likvidujte tak, aby nedošlo k ohrožení životního prostředí:

- ♦ Zabraňte zkratování kontaktů baterie.
- ♦ Při likvidaci nevhazujte nepotřebné baterie do ohně, protože by mohlo dojít k zranění osob nebo k jejich explozi.
- ♦ Nechejte náradí v chodu, dokud nedojde k úplnému vybití baterie a potom ji vyjměte z náradí.
- ♦ Baterie mohou být recyklovány. Uložte baterie do vhodného obalu, abyste zamezili zkratu jejich kontaktů. Odevzdejte je v autorizovaném servisu nebo do místní sběrný, kde budou recyklovány nebo zlikvidovány tak, aby nedošlo k ohrožení životního prostředí.

Technické údaje

		KS900S TYP 1	KS900SL TYP 1	KS950S TYP 1
Napájecí napětí	V	230	230	230
Jmenovitý příkon	W	620	620	650
Otáčky naprázdno	min ⁻¹	800-3200	800-3200	800-3200
Max. hloubka řezu				
Dřevo	mm	85	85	85
Ocel	mm	5	5	5
Hliník	mm	15	15	15
Hmotnost	kg	2,65	2,65	2,65
(s laserem)	kg	2,95	2,95	2,95

Hodnota akustického tlaku měřená dle normy EN60745:

L_{PA} (akustický výkon) 87 dB(A), odchylka (K) 3 dB(A), L_{WA} (akustický výkon) 98 dB(A), odchylka (K) 3 dB(A)

Celková úroveň vibrací (prostorový vektorový součet) podle normy EN 60745:

Řezání dřeva ($a_{h,CW}$) 8,5 m/s², odchylka (K) 1,5 m/s², Řezání tabulových plechů ($a_{h,CM}$) 7,3 m/s², odchylka (K) 1,5 m/s²

ES Prohlášení o shodě v rámci EU SMĚRNICE PRO STROJNÍ ZAŘÍZENÍ



KS900S, KS900SL, KS950SL

Společnost Black & Decker prohlašuje, že tyto produkty popisované v technických údajích splňují požadavky následujících norem: 2006/42/EC, EN60745-1, EN60745-2-11

Chcete-li získat další informace, kontaktujte prosím společnost Black & Decker na následující adrese nebo na adresách, které jsou uvedeny na konci tohoto návodu.

Níže podepsaná osoba je odpovědná za sestavení technických údajů a provádí toto prohlášení v zastoupení společnosti Black & Decker.

www.blackanddecker.co.uk jsou k dispozici další informace o značce Black & Decker a o celé řadě našich dalších výrobků.



Kevin Hewitt
Viceprezident pro
spotřebitelskou techniku
Black & Decker Europe,
210 Bath Road, Slough,
Berkshire, SL1 3YD
United Kingdom
07-07-2010

Záruka

Společnost Black & Decker je přesvědčena o kvalitě svých výrobků a nabízí mimořádnou záruku. Tato záruka je nabízena ve prospěch zákazníka a nijak neovlivní jeho zákonná záruční práva. Tato záruka platí ve všech členských státech EU a v evropské zóně volného obchodu EFTA.

Objeví-li se na výrobku Black & Decker, v průběhu 24 měsíců od zakoupení, jakékoli materiálové či výrobní vady, garantujeme ve snaze o minimalizování vašich starostí bezplatnou výměnu vadných dílů, opravu nebo výměnu celého výrobku za níže uvedených podmínek:

- ♦ Výrobek nebyl používán pro obchodní nebo profesionální účely a nedocházelo-li k jeho pronájmu.
- ♦ Výrobek nebyl vystaven nesprávnému použití a nebyla zanedbána jeho předepsaná údržba.
- ♦ Výrobek nebyl poškozen cizím zaviněním.
- ♦ Opravy nebyly prováděny jinými osobami, než autorizovanými opraváři nebo mechaniky autorizovaného servisu Black & Decker.

Požadujete-li záruční opravu, budete muset prodejci nebo zástupci autorizovaného servisu předložit doklad o zakoupení výrobku. Místo nejbližšího autorizovaného servisu Black & Decker naleznete na příslušné adrese uvedené v tomto návodu. Seznam autorizovaných servisů Black & Decker a podrobnosti o poprodejním servisu naleznete také na internetové adrese:
www.2helpU.com

Navštivte prosím naši internetovou stránku **www.blackanddecker.co.uk**, abyste mohli zaregistrovat váš nový výrobek Black & Decker a kde budete informováni o našich nových výrobcích a speciálních nabídkách. Na adrese

Rendeltetés

Black & Decker dekopírfűrész fa, műanyagok és fémek fűrészelésére alkalmas. A szerszám kizárólag háztartási felhasználásra készült.

Biztonsági előírások

Elektromos kéziszerszámokra vonatkozó általános biztonsági figyelmeztetések



Figyelmeztetés: Olvassa el az összes biztonsági figyelmeztetést és utasítást.

Az utasítások figyelmen kívül hagyása elektromos áramütést, tüzet és/vagy súlyos balesetet okozhat.

Őrizze meg a figyelmeztetéseket és a használati utasítást, hogy azokat később is használhassa referenciaként. Az „elektromos szerszám” kifejezés a figyelmeztetéseken az Ön által használt hálózati (vezetékes) vagy akkumulátoros (vezeték nélküli) elektromos szerszámát jelenti.

1. A munkaterület biztonsága

a. A munkaterület legyen tiszta és világos.

A rendetlen és sötét munkaterületek a balesetek melegegyai.

b. Soha ne használja az elektromos szerszámot robbanásveszélyes környezetben, például gyúlékony folyadékok, gázok vagy porok jelenlétében.

Az elektromos szerszámokban szikrák keletkeznek, amelyek meggyújthatják a porokat vagy a gőzöket.

c. Az elektromos szerszám használata közben ne engedje közel a gyerekeket és a bábémszkodókat. Ha elterelik figyelmét, elveszítheti uralmát a szerszám fölött.

2. Elektromos biztonság

a. Az elektromos kéziszerszám dugasza illeszkedjen a hálózati csatlakozóaljzathoz.

Soha, semmilyen módon se változtassa meg a csatlakozódugaszt. A földelt kéziszerszámokkal soha ne használjon adapter-dugaszt. Az eredeti (módosítatlan) csatlakozó és a megfelelő fali dugalj használata csökkenti az áramütés kockázatát.

b. Ügyeljen, hogy teste ne érintkezzék földelt felületekkel, például csővezetékekkel, radiátorral, hűtőszekrényvel. Ha teste földelt felülettel érintkezik, az növeli az elektromos áramütés kockázatát.

c. Soha ne engedje, hogy az elektromos szerszámok megázzanak, ill. azokat

nedvesség érje. Ha víz kerül az elektromos szerszámra, az növeli az elektromos áramütés kockázatát.

d. Óvatosan kezelje a tápkábelt. Az elektromos kéziszerszámot soha ne vigye és ne húzza a kábelnél fogva, és a dugaszt ne a kábelnél fogva húzza ki az aljzatból. Óvja a kábelt hőtől, olajtól, éles szegletektől, illetve mozgó alkatrészekről. A sérült vagy összegabalyodott kábel növeli az elektromos áramütés kockázatát.

e. Ha a szabadban használja az elektromos szerszámot, akkor kültéri használatra alkalmas hosszabbító kábelt használjon.

A kültéri használatra alkalmas hosszabbító kábellel csökkentheti az elektromos áramütés kockázatát.

f. Ha az elektromos szerszám nedves helyen való használata elkerülhetetlen, alkalmazzon Fi-relével védett áramforrást.

A Fi-relé használata csökkenti az elektromos áramütés kockázatát.

3. Személyes biztonság

a. Soha ne veszítse el éberségét, figyeljen oda arra, amit csinál, és használja a józan eszét, ha elektromos szerszámmal dolgozik.

Ne dolgozzon elektromos szerszámmal, ha fáradt, kábítószert vagy alkoholt fogyasztott, illetve gyógyszer hatása alatt áll. Elektromos szerszám használata közben egy pillanatnyi figyelmetlenség is súlyos sérülést okozhat.

b. Használjon egyéni védőfelszerelést. Mindig viseljen védőszemüveget. A körülményeknek megfelelő védőfelszerelés - például a porálarca, a biztonsági csúszásmentes cipő, a védősisak vagy a hallásvédelem - használata csökkenti a személyes sérülések kockázatát.

c. Előzze meg a készülék nem szándékos beindítását. Ellenőrizze, hogy a szerszám kapcsolója a ki állásban van-e, mielőtt azt a hálózatra vagy akkumulátorra csatlakoztatja, illetve kézbe veszi a szerszámot. Ha a szerszámot úgy cipeli, hogy az ujjja a kapcsolón van, ill. olyan szerszámot helyez áram alá, amely be van kapcsolva, akkor azzal balesetet okozhat.

d. Távolítsa el a beállításához használt kulcsot vagy csavarkulcsot, mielőtt bekapcsolja az elektromos szerszámot. A forgó alkatrészhez rögzített csavarkulcs vagy kulcs személyes sérülést okozhat.

- e. **Ne végezzen olyan mozdulatokat, amelyek kibillenthetik egyensúlyából. Mindig szilárd felületen álljon, és ügyeljen, ne veszítse el az egyensúlyát.** Így jobban tudja uralni a szerszámot a váratlan helyzetekben is.
 - f. **Öltözzön megfelelően. Ne viseljen laza ruházatot vagy ékszert. Haját, ruháját és kesztyűjét tartsa távol a mozgó alkatrészekről.** A laza öltözet, az ékszer vagy a hosszú haj beleakadhat a mozgó alkatrészekbe.
 - g. **Ha az adott eszközhöz porelszívó vagy porgyűjtő is tartozik, akkor győződjön meg arról, hogy ezeket megfelelően csatlakoztatta, ill. ezek megfelelően működnek.** Ezen eszközök használata csökkenti a porral összefüggő veszélyeket.
- 4. Elektromos szerszámok használata és karbantartása**
- a. **Ne erőltesse túl az elektromos kéziszerszámot. A célnak megfelelő elektromos szerszámot alkalmazza.**
A megfelelő elektromos szerszámmal jobban és biztonságosabban dolgozhat, mert azt kifejezetten az adott feladatra tervezték.
 - b. **Ne használja az elektromos szerszámot, ha a kapcsolóval nem lehet ki- és bekapcsolni.**
A hibás kapcsolóval rendelkező elektromos szerszámok használata veszélyes, az ilyen készülékeket meg kell javíttatni.
 - c. **A súlyos személyes sérüléssel járó kockázatok elkerülése érdekében kapcsolja ki a szerszámot és válassza azt le az áramforrásról, mielőtt valamilyen beállítást végezne, tartozékot cserélne vagy azt eltávolítaná.** Ezekkel a megelőző biztonsági intézkedésekkel csökkentheti a szerszám véletlen beindításának kockázatát.
 - d. **A nem használt elektromos szerszámot tárolja olyan helyen, ahol gyermekek nem érhetik el; ne engedje, hogy olyan személyek használják, akik a szerszámot és ezen utasításokat nem ismerik.** Gyakorlatlan felhasználó kezében az elektromos szerszám veszélyes lehet.
 - e. **Fordítson gondot az elektromos szerszám karbantartására. Ellenőrizze a mozgó alkatrészek illeszkedését és hogy nem szorul-e valamelyik; ellenőrizze az alkatrészeket törésre és más olyan sérülésre, amelyek befolyásolhatják az elektromos eszköz működését. Ha**

a szerszám sérült, akkor a használat előtt javíttassa meg. A nem megfelelően karbantartott elektromos szerszámok számos balesetet okoztak.

- f. **A vágószerszámok mindig tiszták és élesek legyenek.** A megfelelően karbantartott éles vágószerszám kisebb valószínűséggel szorul be, és jobban kontrollálható.
- g. **Az elektromos szerszámot, tartozékokat és szerszámszárakat a használati utasításnak megfelelően használja, a munkakörülmények és az elvégzendő feladat figyelembe vételével.** Az elektromos szerszám rendeltetésétől eltérő használata veszélyhelyzetet teremthet.

5. Szerviz

- a. **A szerszámot képzett szakemberrel szervizeltesse, és csak eredeti cserealkatrészeket használjon fel.** Ezzel biztosíthatja az elektromos szerszám folyamatosan biztonságos üzemelését.

Az elektromos szerszámokra vonatkozó további speciális biztonsági utasítások



Figyelmeztetés: További biztonsági utasítások dekopírfűrészekhez.

- ◆ **A készüléket csak a szigetelt markolati felületen tartsa, ha olyan munkát végez, ahol a befogott tartozék rejtett vezetékkel vagy saját hálózati kábelével érintkezhet.** Élő vezetékkel való találkozás a készülék fém részeit is élővé, vezetővé teszi, és így elektromos áramütés veszélyét jelenti a felhasználó számára.
- ◆ **Használjon lezorító eszközt vagy satut a munkadarab biztosításához, illetve megtámasztásához.** Az irányítás elvesztéséhez vezethet, és személyi sérülést okozhat, ha a munkadarabot a kezében tartja, vagy testéhez támasztja.
- ◆ **Tartsa távol kezét a vágási területtől.** Soha, semmilyen okból ne nyúljon a munkadarab alá. Ne helyezze ujját a mozgó fűrészlap és a fűrészlap beszorító közelébe. Ne próbálja úgy stabilizálni a fűrészlapot, hogy megfogja a fűrészlapot.
- ◆ **Tartsa élesen a fűrészlapokat.** A tompa vagy sérült fűrészlap a nyomás alatt elhajlik vagy megszorul. Mindig a munkadarab anyagának és a vágás típusának megfelelő típusú fűrészlapot használja.

- ◆ **Ha csövet, vezetőcsövet vág, bizonyosodjon meg róla, hogy az nem tartalmaz vizet, elektromos vezetékeket stb.**
- ◆ **Közvetlenül a szerszám használata után ne nyúljon a munkadarabhoz, illetve a fűrészlaphoz.** Mindkettő felforrósodhat.
- ◆ **Fal, padló vagy mennyezet vágása előtt tájékozódjon az elektromos- és csővezetékek elhelyezkedéséről, legyen óvatos a rejtett veszélyekkel.**
- ◆ **A fűrészlap a kapcsológomb felengedése után tovább mozog.** Mindig kapcsolja ki a szerszámot, és várja meg, míg a fűrészlap mozgása leáll, mielőtt leteszi a szerszámot.

Figyelmeztetés! A vágás során keletkező porok belélegzése és a velük való érintkezés veszélyes lehet a kezelő és a közelben állók egészségére.

Hordjon a porok és gőzök belélegzésének megakadályozására tervezett pormaszkot és győződjön meg arról, hogy a munkaterületre belépők is viselnek megfelelő védelmet.

- ◆ A szerszám rendeltetésszerű használatát ebben a kézikönyvben ismertetjük. A kézikönyvben nem ajánlott tartozék vagy felszerelés használata, illetve itt fel nem sorolt műveletek végzése személyes sérülés és/vagy dologi kár kockázatával jár.

Mások biztonsága

- ◆ A terméket nem használhatják korlátozott fizikai, mentális képességekkel rendelkező, vagy gyakorlattal és ismeretekkel nem rendelkező személyek (beleértve a gyermekeket is) kivétel a felületükért felelős személy felügyelete és utasítása mellett.
- ◆ A gyerekeket felügyelni kell, nehogy játszanak a termékkel.

Vibráció

A műszaki adatlapon és a megfelelőségi nyilatkozatban feltüntetett vibrációs kibocsátási értékeket az EN 60745 szabványnak megfelelően határoztuk meg; az felhasználható a különböző szerszámok értékeinek összehasonlítására. A deklarált vibrációs kibocsátási érték az előzetes kockázatelemzéshez is felhasználható.

Figyelmeztetés! A tényleges vibrációs kibocsátási érték az elektromos szerszám használata során különbözhet a deklarált értéktől attól függően, hogyan használják a szerszámot. A vibrációs értékek az itt feltüntetett szint fölé is emelkedhetnek.

A 2002/44/EK által a géppel rendszeresen dolgozók számára megkövetelt szükséges biztonsági intézkedések meghatározásához végzett vibrációs kitétség kiértékelése során a kitétség kiértékelésénél figyelembe kell venni a tényleges használat körülményeit, illetve azt, hogy a szerszámot hogyan használják, ideértve a munkafolyamat minden egyes részét, pl. azokat az időszakokat is, amikor a szerszám ki van kapcsolva vagy üresen fut a napi kitétséget jelentő idő mellett.

Címkék a szerszámon



Figyelmeztetés: A sérülések kockázatának csökkentése érdekében a felhasználó köteles elolvasni a használati utasítást.

Elektromos biztonság



A szerszám kettős szigeteléssel rendelkezik; ezért nincs szükség földelő vezetékekre. Mindig ellenőrizze, hogy a szerszám adattábláján megadott feszültség egyezik-e a hálózati feszültséggel.

- ◆ A készüléket fiatalok vagy fogyatékkal élők csak felügyelettel használhatják. A gyerekeket felügyelni kell, nehogy játszanak a szerszámmal.
- ◆ Ha a hálózati kábel sérült, azonnal cseréltesse le egy Black & Decker szakszervizben.

További biztonsági utasítások nem újratölthető elemekhez

- ◆ Soha, semmilyen okból ne próbálja felnyitni az akkumulátort/elemet!
- ◆ Ne tárolja olyan helyen, ahol a hőmérséklet meghaladhatja a 40 °C értéket.
- ◆ Használt akkumulátor/elem leselejtezése során kövesse „A környezet védelme“ című rész utasításait.

Tilos az akkut tűzbe dobni!

- ◆ Szélsőséges körülmények között történő használatkor előfordulhat, hogy akkufolyadék szivárog ki az akkumulátorból. Ekkor járjon el a következőképpen:
 - Óvatosan törölje le a folyadékot az akkuról egy kendővel. Kerülje, hogy bőre az akkufolyadékkal érintkezzen.

További biztonsági előírások lézer berendezésekhez



Figyelmesen olvassa el a teljes kézikönyvet.



A szerszámot 16 éven aluliak nem használhatják.



Lézersugárzás.



Ne nézzen bele a lézersugárba.



Ne használjon optikai eszközöket a lézersugár figyeléséhez.

- ◆ A lézer megfelel az EN 60825-1:1994+A1:2002+A2:2001 2-es osztályának követelményeinek. A lézertiódát ne cserélje le más típusúra. A sérült lézert márkaszervizben javíttassa meg.
- ◆ A lézert kizárólag a vágási vonalak kivetítésére használja.
- ◆ A 2-es osztályba sorolt lézer sugarába nézni legfeljebb 0,25 másodpercig tekinthető veszélytelennek. A szemháj reflexek szokásos körülmények között megfelelő védelmet biztosítanak. 1 méternél nagyobb távolság esetén a lézer megfelel az 1-es osztály követelményeinek, és teljességgel biztonságos.
- ◆ Közvetlenül és szándékosan soha ne nézzen a lézersugárba.
- ◆ Ne használjon optikai eszközöket a lézersugár figyeléséhez.
- ◆ Ne állítsa a szerszámot olyan helyzetbe, hogy a lézersugár keresztezhessen bárki tekintetét.
- ◆ Ne engedjen gyerekeket a lézer közelébe.

Csomag tartalma

1. Tartósüzem rögzítő gomb
2. Ki/be üzemi kapcsoló
3. Fűrészlap tároló rekesz fedél
4. Fűrészlap rögzítő kar
5. Porelszívó kimenet
6. Porelszívó adapter
7. Fűrészlap
8. Auto Select™ üzemmód választó kerék
9. Fűrészlap támasztógörgő
10. Szerszám nélküli fűrészlap befogó

További funkciók (A ábra)

További funkciók érhetőek el a megvásárolt termék pontos típusától függően. Az elérhető további funkciók az „A” ábrán látható katalógus számok szerint azonosíthatóak.

Összeszerelés

Figyelmeztetés! Mielőtt bármely, a következőkben ismertetett műveletet elkezdene, győződjön meg arról, hogy a szerszám ki van kapcsolva, nincs áram alatt, és a fűrészlap már leállt. A használt fűrészlap forró lehet.

A fűrészlap felszerelése (B ábra)

- ◆ Tartsa a fűrészlapot (11) az ábrának megfelelően, a fogak nézzenek előre.
- ◆ Nyomja le és tartsa lenyomva a fűrészlap befogót (10).
- ◆ Helyezze be a fűrészlap szárát a fűrészlap tartóba (12) és tolja be ütközésig.
- ◆ Engedje el a fűrészlap befogót (10).

Fűrészlap tárolása (C ábra)

A fűrészlapok (11) a készülék oldalán található tároló rekeszben helyezhetők el.

- ◆ Nyissa fel a fűrészlap tároló rekesz fedelét (3) a fedélen lévő fül segítségével.
- ◆ A fűrészlapokat egy mágneses csík tartja a tároló rekeszben. A fűrészlap eltávolításához nyomja le a fűrészlap egyik végét a másik vég megemeléséhez, és távolítsa el.
- ◆ Csukja be a fűrészlap tároló rekesz fedelét (3), és ellenőrizze, hogy megfelelően rögzült.

Figyelem! Biztosan zárja be a rekesz ajtaját, mielőtt a készüléket beindítja.

Porelszívó csatlakoztatása a készülékhez (D ábra)

A készülékhez porszívó vagy porelszívó berendezés is csatlakoztatható, de ehhez szükség van egy porelszívó adapterre. Az adaptert (6) bármelyik Black & Decker szakkereskedőnél megvásárolhatja.

- ◆ Nyomja a porelszívó adaptert (6) a porkiömlő nyílásra (5).
- ◆ Csatlakoztassa a porszívó csövet az adapterhez (6).

Maradványkockázatok

A biztonsági figyelmeztetésekben ismertetett kockázatok mellett más kockázatok is jellemezhetik a szerszám használatát. Ezek a kockázatok a szerszám rendeltetésétől eltérő, illetve huzamos használatából stb. adódhatnak.

A vonatkozó biztonsági előírások alkalmazása, és a védőeszközök használata ellenére bizonyos kockázatokat (ún. maradványkockázatokat) nem lehet elkerülni. Ezek a következők:

- ◆ A forgó/mozgó alkatrészek érintése által okozott sérülés.

- ◆ Az alkatrészek, vágólapok, tartozékok cseréje által okozott sérülés.
- ◆ A szerszám huzamos használata által okozott egészségkárosodás. Bármely szerszám huzamosabb ideig való használata esetén tartson rendszeres munkaszüneteket.
- ◆ Halláskárosodás.
- ◆ A fűrészpor belégzése miatti egészségkárosodás, különös tekintettel a tölgy, bükk és rétegeltlemez anyagokra.

A készülék használata

A fűrésztalp beállítása szögvághoz (E és F ábra)

Figyelem! Soha ne használja a fűrész akkor, ha a fűrésztalp nem megfelelően van rögzítve, vagy ha el van távolítva a készülékről.

A fűrésztalp (7) bal és jobb irányban is 45°-ig dönthető.

- ◆ Húzza ki a fűrésztalp rögzítő kart (4) a fűrésztalp 0 fokból való kioldásához (E ábra).
- ◆ Húzza a fűrésztalpat (7) előre, állítsa be a kívánt 15°, 30° és 45° szögbe, ami a dőlésszög kijelző ablakon látható.
- ◆ Nyomja a fűrésztalp rögzítő kart (4) hátra a fűrész felé a fűrésztalp (7) rögzítéséhez.

A fűrésztalp (7) visszaállítása merőleges helyzetbe, egyenes vonalak vágására:

- ◆ Húzza ki a fűrésztalp rögzítő kart (4) a fűrésztalp (7) kioldásához.
- ◆ Állítsa a fűrésztalpat (7) 0° fokba, és nyomja a fűrésztalpat hátra.
- ◆ Nyomja a fűrésztalp rögzítő kart (4) hátra a fűrész felé a fűrésztalp (7) rögzítéséhez.

Hogyan használja az Auto Select™ üzemmód választó kereket (G ábra)

Ez a készülék egy egyedülálló Auto Select™ üzemmód választó keréssel (8) van felszerelve, amellyel beállíthatja a sebességet és a fűrészlap pengeelőtölését a különböző vágási alkalmazásoknak megfelelően. A vágandó munkaanyaghoz megfelelő optimális sebesség és fűrészlap pengeelőtölés kiválasztásához, forgassa a kereket (8) az alábbi ábra szerint:

	Ikon	Alkalmazás	Sebesség / Pengeelőtölés	Fűrészlap típus
		Konyhapult, munkaasztal, laminált lemez	Gyors sebesség, pengeelőtölés nélkül	Általános fa
		Ívek/görbe vonalak vágása, kézműves alkalmazás, keményfák, deszkaburkolás, padlóburkolás	Gyors sebesség, pengeelőtölés nélkül	Ívvágó fa Általános fa
		Furnérlemez, fatábla	Gyors sebesség, közepes pengeelőtölés	Általános fa
		Általános fa, puhafa, gyors hasító vágás	Gyors sebesség, maximális pengeelőtölés	Általános fa
		Műanyag, Plexi, PVC	Közepes sebesség, közepes pengeelőtölés	Általános célú
		Fémlemez, bádoglemez, kerámialap, üvegszálalapok	Alacsony sebesség, pengeelőtölés nélkül	Fűrészlap fémhez vagy kerámiához vagy üvegszálalap anyagokhoz
		Lassú sebesség, pontos indítás	Lassú sebesség, pengeelőtölés nélkül	Válassza ki az alkalmazáshoz megfelelő fűrészlapot

A készülék be- és kikapcsolása

- ◆ A készülék beindításához nyomja be az üzemi kapcsolót (2).
- ◆ A gép leállításához engedje el az üzemi kapcsolót (2).
- ◆ A tartósüzem használatához, nyomja be a tartósüzem rögzítő gombot (1) és engedje el az üzemi kapcsolót (2).
- ◆ Ha a gépet tartósüzem közben kívánja leállítani, nyomja meg még egyszer az üzemi kapcsolót (2) és engedje el.

Fűrészelés

Vágás közben tartsa a készüléket szorosan, két kézzel. A fűrészlapot (7) tartsa szorosan a vágandó munkaanyagnak. Így megelőzhető a készülék megugrása, csökkenthető a vibráció és minimalizálható a fűrészlap törése.

- ◆ Hagyja a fűrészlapot szabadon futni néhány másodpercig, mielőtt a vágáshoz kezd.
- ◆ Csak kis nyomást fejtessen ki a készülékre, mialatt fűrészelt a készülékkel.

A lézer működtetése (H-K ábra) (CSAK „L” KIEGÉSZÍTÉSŰ TÍPUSOKNÁL)

Az elemek behelyezése (H ábra)

Szerelje le a lézermodult (14) a készülékről úgy, hogy eltávolítja a csavart (13) és előre kihúzza a modult a készülékből. Helyezze be a két 1,5 Voltos AAA alkáli elemet a modulba, ügyelve rá, hogy a (+) és a (-) terminálok megfelelően illeszkedjenek. Szerelje vissza a lézermodult (14) a készülékbe.

A lézer beállítása (I ábra)

Megjegyzés: A lézer rendeltetésszerűen csak vágási segédvonalként használható és nem garantálja a pontos vágást.

Figyelem! Ne állítson a lézeren, ha a készülék áram alatt van.

- ◆ Használja a lézer állítócsavart (15) a lézervonal és a fűrészlap párhuzamba állításához, ha szükséges.

A lézervonal láthatósága (teljesítménye) csökken, ha a dekopírfűrész túlmelegedik. A lézervonal nem lesz látható, ha a fűrész hosszabb ideig túlterheli. A lézervonal láthatósága fokozatosan visszatér a normál értékre, ha a készülék lehűl, még akkor is, ha a készüléket lekapcsolja az áramforrásról. **Figyelem!** Soha ne hagyja a túlmelegedett lézert bekapcsolva. Ellenőrizze, hogy a kapcsoló ki van kapcsolva és távolítsa el az elemeket a lézer teljes kikapcsolásához.

A lézer használata (J és K ábra)

A lézer kivetíti a vágási segédvonalat (18) a munkaanyag felületére.

- ◆ A lézermodul bekapcsolásához, nyomja meg a gombot (16).
- ◆ A lézermodul kikapcsolásához, nyomja meg a gombot (16) még egyszer.

Közvetlenül a fűrész fölött nézve, a vágásvonal (17) könnyedén követhető. Ha ez a pozíció bármilyen oknál fogva korlátozva van, a lézer alternatív vágási vezetőként használható.

- ◆ Jelölje meg egy ceruzával a vágásvonalat (17).
- ◆ Helyezze a dekopírfűrész a vonalra.
- ◆ Kapcsolja be a lézermodult.

A munkalámpa működtetése (L és M ábra) (CSAK „W” KIEGÉSZÍTÉSŰ TÍPUSOKNÁL)

Azok a típusok, melyeknek a katalógusszámában „W” szerepel, egy LED lámpával (19) vannak felszerelve a fűrészlap körüli terület megvilágításához.

- ◆ A munkalámpa bekapcsolásához, csúsztassa a kapcsolót (20) be pozícióba (I).
- ◆ A munkalámpa kikapcsolásához, csúsztassa a kapcsolót (20) ki pozícióba (O).

Javaslatok az optimális munkavégzéshez

Rétegelt lapok fűrészélése

Ahogy a fűrészlap felfelé mozog az anyagban, a felületen a talp közelében hasadás keletkezhet. A legtöbb fűrészlap felfelé ütemben vág, így ha a fűrészlap a munkaanyag színén helyezkedik el, vagy használjon lefelé ütemben vágó fűrészlapot, vagy:

- ◆ Használjon finom fogazású fűrészlapot.
- ◆ A munkadarabot a fordított oldaláról fűrészelve.
- ◆ A hasadás minimalizálásához erősítsen a munkadarab mindkét oldalára egy darab puhafát vagy préselt falapot és ezen a „szendvicsen” keresztül fűrészljen.

Fémek fűrészélése

Legyen tudatában annak, hogy a fémek fűrészélése sokkal több időt vesz igénybe, mint a faanyagok fűrészélése.

- ◆ Kizárólag fémvágó fűrészlapot használjon. Vastartalmú fémekhez finom fogazású, míg a nem vastartalmú fémekhez durvább fogazású fűrészlap szükséges.
- ◆ Ha vékony fémlemez fűrészelt, erősítsen a munkadarab hátsó oldalára egy darab puhafát vagy préselt falapot és ezen a „szendvicsen” keresztül fűrészelve.
- ◆ Tegyen a kívánt vágásvonalra egy vékony olajcsíkot.

Karbantartás

Az Ön Black & Decker készülékét minimális karbantartás melletti hosszútávú használatra terveztük.

A folyamatos kielégítő működés feltétele a megfelelő gondozás és a rendszeres tisztítás.

- ◆ Puha kefével vagy száraz törlőkendővel rendszeresen tisztítsa meg a gép szellőzőnyílásait.
- ◆ Nedves ronggyal rendszeresen tisztítsa a burkolatot. Ne használjon súrolószert vagy oldószer alapú tisztítót. Ne hagyja, hogy a szerszám belsejébe folyadék kerüljön, és ne is mártsa a szerszám alkatrészeit folyadékba.

A környezet védelme



Elkülönítve gyűjtendő. A termék nem kezelhető háztartási hulladékként.

Ha egy nap úgy véli, hogy az Ön Black & Decker szerszámát le kell cserélnie vagy arra a továbbiakban nincs szüksége, akkor azt a háztartási hulladékoktól elkülönítve selejtezze le. Gondoskodjék elkülönített kezeléséről.



A használt termékek és csomagolásuk elkülönített kezelése lehetővé teszi az anyagok újrafeldolgozását. Az újrafeldolgozott anyagok felhasználása segítik a környezet védelmét és csökkenti a nyersanyag-szükségleteket.

A helyi rendelkezések előírhatják az elektromos termékek háztartási hulladéktól elkülönített gyűjtését a helyi hulladékgyűjtő helyeken, illetve előírhatják, hogy a kereskedőnek kell gondoskodnia a termék visszavételéről új termék vásárlásakor.

A Black & Decker lehetőséget biztosít a Black & Decker termékek gyűjtésére és újrafeldolgozására, ha azok elérték élettartamuk végét. A szolgáltatás igénybevételéhez kérjük, vigye vissza a terméket bármely márkaszervizünkbe, ahol vállalatunk képviselőjében gondoskodnak annak elkülönített összegyűjtéséről.

Az Önhöz legközelebb eső hivatalos márkaszervizt a kézikönyvben megadott helyi Black & Decker képviselő segítségével érheti el. Alternatív megoldásként lásd a szerződött Black & Decker szervizek listáját, illetve az eladásutáni szolgáltatásaink elérhetőségének részletes ismertetését a következő internetes címen: www.2helpU.com.

Akkumulátorok



Hasznos élettartamuk végén a környezetvédelmi előírások betartásával selejtezze le őket.

- ◆ Ne zárja rövidre az akkumulátor sarkait.
- ◆ Az akkumulátort ne dobja tűzbe, mert ezzel robbanást vagy személyes sérülést okozhat.
- ◆ Merítse le teljesen az akkumulátort, majd válassza azt le a szerszámról.
- ◆ Az akkumulátorok újrahasznosíthatók. Az akkumulátor(oka)t megfelelő csomagolásban

helyezze el, hogy sarkait ne lehessen rövidre zárni. Adja le márkaszervizben vagy a helyi hulladékhasznosító telepen.

Műszaki adatok

		KS900S TÍPUS 1	KS900SL TÍPUS 1	KS950S TÍPUS 1
Feszültség	V _{váltakozó}	230	230	230
Névleges teljesítmény	W	620	620	650
Üresjárat löketszám	min ⁻¹	800-3200	800-3200	800-3200
Maximális vágáskapacitás				
Fa	mm	85	85	85
Fém	mm	5	5	5
Alumínium	mm	15	15	15
Súly (lézerrel)	kg	2,65	2,65	2,65
	kg	2,95	2,95	2,95

A hangnyomásszint az EN60745 szabvány szerint:
L_{PA} (hangnyomás) 87 dB(A), bizonytalanság (K) 3 dB(A), L_{WA} (hangerő) 98 dB(A), bizonytalanság (K) 3 dB(A)

Vibrációs összérték (triax vektorösszeg) az EN 60745 szerint:

Fa fűrészelése (a_{h,CW}) 8,5 m/s², bizonytalanság (K) 1,5 m/s², Fémlap fűrészelése (a_{h,CM}) 7,3 m/s², bizonytalanság (K) 1,5 m/s²

CE megfelelőségi nyilatkozat GÉPEK IRÁNYELV



KS900S, KS900SL, KS950SL

A Black & Decker nyilatkozik arról, hogy a „Műszaki adatok” részben ismertetett termékek megfelelnek a következő irányelveknek és szabványoknak:
2006/42/EC, EN60745-1, EN60745-2-11

További információért forduljon a Black & Decker vállalathoz az alábbi címen, vagy a kézikönyv hátoldalán található elérhetőségeken.

Az aláírás tulajdonosa a műszaki adatok összeállításáért felelős személy; nyilatkozatát a Black & Decker vállalat nevében adja.

K. Hewitt

Kevin Hewitt
Alelnök, globális mérnökség
Black & Decker Europe,
210 Bath Road, Slough,
Berkshire, SL1 3YD
Egyesült Királyság
07-07-2010

Garancia

A Black & Decker biztos termékei minőségében, ezért kiemelkedő garanciális feltételeket kínál. Ez a jótállási nyilatkozat kiegészíti és semmiféleképpen sem korlátozza az Ön törvényben garantált jogait. A jótállás az Európai Unió tagállamai és az Európai Szabadkereskedelmi övezet területén érvényes.

Ha a vásárlást követő 24 hónapon belül Black & Decker szerszáma anyaghiba, összeszerelési hiányosság vagy nem megfelelés miatt meghibásodik a Black & Decker ingyenesen kicseréli a hibás alkatrészeket vagy megjavítja a szokásos igénybevételnek megfelelő állapotú készüléket, illetve kicseréli a terméket a vásárló számára a legkisebb kellemetlenséget okozva kivéve, ha:

- ◆ A terméket kereskedelmi, professzionális vagy bérleti célra használták.
- ◆ A terméket rendellenesen használták vagy elhanyagolták.
- ◆ A terméken idegen tárgytól vagy más anyagtól származó sérülés vagy baleset nyomai látszanak.
- ◆ A terméket a Black & Decker szerződéses szervizen és a Black & Decker szerelőin kívül más próbálta megjavítani.

Ha jótállási igénye van, bizonyítani kell a vásárlás tényét az eladónak vagy a Black & Decker hivatalos szervizének. Az Önhöz legközelebb eső hivatalos márkaszervizt a kézikönyvben megadott helyi Black & Decker képviselő segítségével érheti el. Alternatív megoldásként lásd a szerződött Black & Decker szervizek listáját, illetve az eladásutáni szolgáltatásaink elérhetőségének részletes ismertetését a következő internetes címen: **www.2helpU.com**

Kérjük, látogassa meg a **www.blackanddecker.co.uk** weboldalunkat, hogy regisztrálja az új Black & Decker termékét, ill. hogy megismerje új termékeinkkel és egyedi ajánlatainkkal kapcsolatos legújabb híreinket. A Black & Decker márkával és a termékkínálatunkkal kapcsolatos információkat a **www.blackanddecker.co.uk** weboldalon tekintheti meg.

BLACK & DECKER GARANCIÁLIS FELTÉTELEK

Gratulálunk Önnek ennek az értékes Black & Decker készülék megvásárlásához.

Azon termékeinkre, amelyet fogyasztói használat keretében háztartási, hobby célra vásárolnak **24 hónap jótállást biztosítunk.**

A termék iparszerű használatra nem alkalmas!

A jótállás a fogyasztó törvényből eredő jogait nem érinti.

- 1) **Black & Decker** kötelezettséget vállal arra, hogy a garanciális javításokat a **49/2003. (VII. 30.) GKM** és a **151/2003 (IX.22.) sz. Korm. rend.** szerint végzi.
 - a) A fogyasztó jótállási igényét a jótállási jeggyel érvényesítheti, ezért azt őrizze meg.
 - b) Vásárláskor az eladónak a garanciakártyán fel kell tüntetnie a vásárlás időpontját, a termék típusát vagy termékkódját, a kereskedés nevét, címét pedig a jótállási jegyre rá kell bélyegezni. Ennek alapján szerez jogosultságot a vevő a garancia időn belüli ingyenes garanciális javításra.
 - c) Jótállási javítást csak érvényes jótállási jegy alapján végezhetnek a kijelölt szervizek.
 - d) A jótállási jegyen történt bármilyen javítás, törlés vagy átírás, valótlan adatok bejegyzése, a jótállási jegy érvénytelenségét vonja maga után.
 - e) Elvesztett jótállási jegyet csak a vásárlási számla felmutatásával, térítés ellenében tudunk pótolni!
 - f) A jótállási jegy szabálytalan kiállítás vagy a fogyasztó részére történő átadásának elmaradása nem érinti a jótállási kötelezettségvállalás érvényességét.
- 2) **Nem terjed ki a garancia:**
 - a) Ha a hiba rendeltetésellenes használat, átalakítás, szakszerűtlen kezelés, helytelen tárolás, elemi kár vagy egyéb, vásárlás után keletkezett okból következett be. *(A rendeltetéssel ellentétes használat elkerülése céljából a termékhez magyar nyelvű vásárlói tájékoztatót mellékelünk és kérjük, hogy az abban foglaltakat saját érdekében tartsa be!)*
 - b) Az olyan károsodásokra, amelyek a szerszámok iparszerű (professzionális), közületi, valamint kölcsönzési felhasználása miatt keletkeztek.
 - c) Azon alkatrészekre, amelyeknél a meghibásodás garanciaidőn belül a helyes kezelés, karbantartás szerinti rendeltetészerű üzemeltetés mellett az alkatrészek természetes elhasználódása, kopása következtében állt elő. *(ezek a következők: megmunkáló szerszámok pl. vágószerszám, fűrészlánc, fűrészlap, gyalukés stb. továbbá: meghajtósíj, csapágy, szénkefe, csillagkerék kpl.)*
 - d) A készülék túlterhelése miatt jelentkező hibákra, amelyek a hajtómű meghibásodásához, vagy egyéb ebből adódó károkhoz vezetnek.
 - e) A termék nem hivatalos szervizben történt javításából eredő hibákra.
 - f) Az olyan károsodásokra, amelyek nem eredeti Black & Decker kiegészítő készülékek és tartozékok használatából adódnak.

- 3) **A fogyasztó** a javítás iránti igényét a forgalmazónál, illetve a jótállási jegyen feltüntetett javítószolgálatnál érvényesítheti.
 - Meghosszabbodik a jótállási idő a javítási idő azon részével, amely alatt a fogyasztó a terméket nem tudta rendeltetészerűen használni.
 - A jótállási és szavatossági jogok érvényesíthetőségének határidején belül a terméknek vagy jelentősebb részének kicserélése (javítása) esetén a kicserélt (javított) termékre (termékrészre) 12 hónap jótállást biztosítunk. Ezek a következők: motor illetve állórész, forgórész, elektronika.
 - Ha a fogyasztási cikk a vásárlástól (üzembe helyezéstől) számított három munkanapon belül meghibásodik, a fogyasztó kérheti annak kicserélését feltéve, hogy a meghibásodás a rendeltetészerű használatot akadályozza. A Black & Decker Hungary Kft. a meghibásodás okának feltárása céljából fenntartja a jogot a hibás termék bevizsgálására. Amennyiben a reklamáció alkalmával a meghibásodás garanciális voltáról nem nyilatkozunk, úgy 72 órán belül kell értesítenünk a vásárlót a reklamáció intézésének módjáról.
Ha a csere nem lenne lehetséges, műszakilag hasonló készülék kerül felajánlásra, vagy visszafizethető a vételár.

Amennyiben a hiba keletkezése, ténye, jellege, (pl. rendeltetésellenes használat, stb.) miatt vita merül fel, a Fogyasztó szakvéleményt kérhet a Fogyasztóvédelmi Főfelügyelőségtől. A szakvélemény térítésköteles és nem kötelező érvényű a Forgalmazó számára.

- 4) **Garanciális javítás esetén** a szerviznek a garanciakártyán az alábbi adatokat kell feltüntetnie:
 - a garanciális igény bejelentésének dátumát,
 - a hiba rövid leírását,
 - a javítás módját és időtartamát,
 - a készülék visszaadásának időpontját,
 - javítás időtartamával meghosszabbított új garanciaidőt.
- 5) **Arra törekszünk, hogy szervizhálózatunkon** keresztül kiváló javítószolgálatot, zökkenőmentes alkatrészellátást, és széles tartozékpalettát biztosítsunk.
- 6) **A fogyasztót a Polgári Törvénykönyvről szóló 1959. évi IV. törvény 306-310. §-ában, valamint a 49/2003. (VII. 30.) GKM** rendeletben meghatározott jogok illetik meg.

Gyártó:

Black & Decker GmbH
D – 65510 Idstein/Ts
Black & Decker str. 40.

Importőr:

Black & Decker Hungary Kft.
1016 Budapest
Galeotti u. 5.

Przeznaczenie

Wyrzynarka Black & Decker została zaprojektowana do piłowania drewna, tworzyw sztucznych i metalu. Opisywane urządzenie przeznaczone jest wyłącznie do użytku amatorskiego.

Zasady bezpiecznej pracy

Ogólne wskazówki dotyczące bezpiecznej pracy elektronarzędziami



Uwaga! Należy zapoznać się ze wszystkimi ostrzeżeniami dotyczącymi bezpiecznej pracy oraz z instrukcją obsługi. Nie stosowanie się do poniższych instrukcji może być przyczyną porażenia prądem elektrycznym, pożaru i/lub uszkodzenia ciała.

Zachowaj wszystkie instrukcje i informacje dotyczące bezpiecznej pracy, aby móc korzystać z nich w przyszłości. Pojęcie "elektronarzędzie" używane w niniejszej instrukcji, oznacza narzędzie zasilane z sieci elektrycznej (przewodem zasilającym) lub akumulatorami (bezp przewodowe).

1. Bezpieczeństwo w miejscu pracy

- a. **Miejsce pracy musi być czyste i dobrze oświetlone.** Miejsca ciemne i takie, w których panuje nieporządek stwarzają ryzyko wypadku.
- b. **Nie wolno używać elektronarzędzi w strefach zagrożenia wybuchem, w pobliżu palnych cieczy gazów czy pyłów.** Elektronarzędzia mogą wytworzyć iskry powodujące zapłon pyłów lub oparów.
- c. **W czasie pracy elektronarzędziami nie pozwalaj na przebywanie w pobliżu dzieci i innych osób postronnych.** Chwila nieuwagi może spowodować utratę kontroli nad narzędziem.

2. Bezpieczna praca z elektrycznością

- a. **Gniazdo musi być dostosowane do wtyczki elektronarzędzia. Nie wolno przerabiać wtyczek. Nie używaj żadnych łączników elektrycznych z uziemionymi elektronarzędziami.** Nie przerabiane wtyczki i odpowiednie gniazda zmniejszają ryzyko porażenia prądem elektrycznym.
- b. **Należy unikać bezpośredniej styczności z uziemionymi lub zerowanymi powierzchniami, takimi jak rurociągi, grzejniki, kuchenki i lodówki.** Ryzyko

porażenia prądem elektrycznym wzrasta, jeśli twoje ciało jest zerowane lub uziemione.

- c. **Nie narażaj elektronarzędzi na działanie deszczu lub zwiększonej wilgotności.** Dostanie się wody do wnętrza elektronarzędzia zwiększa ryzyko porażenia prądem elektrycznym.
 - d. **Nie wolno ciągnąć za przewód zasilający. Nie wolno ciągnąć, podnosić ani wyciągać wtyczki z gniazda, poprzez ciągnięcie za przewód zasilający narzędzia. Chroń przewód zasilający przed kontaktem z gorącymi elementami, olejami, ostrymi krawędziami i ruchomymi częściami.** Uszkodzenie lub zaplątanie przewodu zasilającego zwiększa ryzyko porażenia prądem elektrycznym.
 - e. **W czasie pracy elektronarzędziem poza pomieszczeniami zamkniętymi, należy używać przystosowanych do tego przedłużaczy.** Korzystanie z przedłużaczy przystosowanych do użycia na dworze, zmniejsza ryzyko porażenia prądem.
 - f. **Jeśli zachodzi konieczność pracy w wilgotnym otoczeniu, należy używać źródła zasilania zabezpieczonego wyłącznikiem różnicowoprądowym (RCD).** Stosowanie wyłączników różnicowoprądowych zmniejsza ryzyko porażenia prądem elektrycznym.
- #### 3. Bezpieczeństwo osobiste
- a. **W czasie pracy elektronarzędziem zachowaj czujność, patrz uważnie i kieruj się zdrowym rozsądkiem. Nie używaj elektronarzędzi, jeżeli jesteś zmęczony, pod wpływem narkotyków, alkoholu czy leków.** Nawet chwila nieuwagi, w czasie pracy elektronarzędziem, może doprowadzić do poważnego uszkodzenia ciała.
 - b. **Używaj środków ochrony osobistej. Zawsze zakładaj okulary ochronne.** Używanie, w miarę potrzeb, środków ochrony osobistej, takich jak maska przeciwpyłowa, buty ochronne z antypoślizgową podeszwą, kask czy ochrona słuchu, zmniejsza ryzyko odniesienia uszczerbku na zdrowiu.
 - c. **Zapobiegaj przypadkowemu włączeniu. Przed przyłączeniem do zasilania i/lub włożeniem akumulatorów oraz przed podniesieniem i przenoszeniem narzędzia, należy upewnić się, że wyłącznik znajduje się w pozycji „wyłączone“.** Trzymanie palca

na wyłączniku podczas przenoszenia lub włączania narzędzia, łatwo staje się przyczyną wypadków.

- d. **Przed włączeniem elektronarzędzia, usuń wszystkie klucze i narzędzia do regulacji.** Pozostawienie klucza lub narzędzia do regulacji połączonego z częściami wirującymi elektronarzędzia może spowodować uszkodzenie ciała.
 - e. **Nie wychylaj się. Nie wychylaj się i przyjmij stabilną pozycję, aby zawsze zachowywać równowagę.** Pozwala to na lepszą kontrolę pracy urządzenia w nieprzewidzianych okolicznościach.
 - f. **Założ odpowiedni strój. Nie noś luźnych ubrań ani biżuterii. Trzymaj włosy, ubranie i rękawice z dala od ruchomych elementów.** Luźne ubranie, biżuteria lub długie włosy mogą zostać pochwycone przez ruchome części.
 - g. **Jeśli sprzęt jest przystosowany do przyłączenia urządzeń odprowadzających i zbierających pył, upewnij się, czy są one przyłączone i właściwie użytkowane.** Użycie takich urządzeń może zmniejszyć niebezpieczeństwa wynikające z obecności pyłów.
4. **Obsługa i konserwacja elektronarzędzi**
 - a. **Nie wolno przeciążać elektronarzędzi. Używaj elektronarzędzi odpowiednich do rodzaju wykonywanej pracy.** Dzięki odpowiednim elektronarzędziom wykonasz pracę lepiej i w sposób bezpieczny, w tempie, do jakiego narzędzie zostało zaprojektowane.
 - b. **Nie wolno używać elektronarzędzia z zepsutym wyłącznikiem, który nie pozwala na sprawne włączanie i wyłączanie.** Elektronarzędzie, którego pracy nie można kontrolować wyłącznikiem, jest niebezpieczne i musi zostać naprawione.
 - c. **Przed przystąpieniem do regulacji, wymiany akcesoriów oraz przed schowaniem elektronarzędzia, należy odłączyć wtyczkę od źródła zasilania i/ lub odłączyć akumulator od urządzenia.** Stosowanie takich środków zapobiegawczych zwiększa bezpieczeństwo i zmniejsza ryzyko przypadkowego uruchomienia elektronarzędzia.
 - d. **Nie używane elektronarzędzie przechowuj poza zasięgiem dzieci i nie dopuszczaj osób nie znających elektronarzędzia lub tej instrukcji do posługiwania się**

elektronarzędziem. Elektronarzędzia obsługiwane przez osoby nieprzygotowane stanowią zagrożenie.

- e. **Regularnie dokonuj konserwacji elektronarzędzi. Sprawdź, czy ruchome części są właściwie połączone i zamocowane, czy części nie są uszkodzone oraz skontroluj wszelkie inne elementy mogące mieć wpływ na pracę elektronarzędzia. Wszystkie uszkodzenia należy naprawić przed rozpoczęciem użytkowania.** Wiele wypadków spowodowanych jest przez niedostateczną konserwację elektronarzędzi.
 - f. **Dbaj o czystość narzędzi i ostrość elementów tnących.** Zadbane narzędzia tnące, z ostrymi krawędziami tnącymi, rzadziej się zacinają i są łatwiejsze w prowadzeniu.
 - g. **Elektronarzędzi, akcesoriów i końcówek itp., należy używać zgodnie z instrukcją obsługi, uwzględniając warunki i rodzaj wykonywanej pracy.** Użycie elektronarzędzi niezgodnie z przeznaczeniem może być bardzo niebezpieczne.
5. **Serwis**
 - a. **Powierzaj naprawy elektronarzędzi wyłącznie osobom wykwalifikowanym, używającym identycznych części zamiennych.** Zapewni to dalsze bezpieczne użytkowanie narzędzia.

Bezpieczne użytkowanie elektronarzędzi - wskazówki dodatkowe



Uwaga! Dodatkowe wskazówki dotyczące bezpiecznemu użytkowaniu wyrzynarek.

- ♦ **W przypadku prac, w czasie których może dojść do przecięcia własnego lub ukrytych przewodów, należy trzymać urządzenie wyłącznie za izolowane uchwyty.** Przecięcie przewodu z prądem może spowodować pojawienie się napięcia na metalowych częściach obudowy i porażenie prądem operatora.
- ♦ **Obrabiany element należy zamocować do blatu roboczego za pomocą zacisków lub innych praktycznych chwytów.** Trzymanie obrabianego elementu w rękach lub oparcie go o ciało nie daje dostatecznej stabilizacji i może spowodować utratę kontroli nad narzędziem.
- ♦ **Trzymaj ręce z daleka od obszaru cięcia.** Pod żadnym pozorem nie sięgaj pod spód

obrabianego elementu. Nie zbliżaj palców do pracującego ostrza lub zacisku ostrza. Nie stabilizuj piły chwytając za stopkę.

- ◆ **Brzeszczoty muszą być naostrzone.** Stępione lub uszkodzone brzeszczoty mogą powodować skręcanie lub przeciążenie piły pod naciskiem. Zawsze używaj brzeszczotu o typie odpowiednim dla materiału obrabianego elementu i rodzaju cięcia.
- ◆ **Podczas cięcia rur lub kanałów przewodów, najpierw upewnij się, czy nie przepływa w nich woda, nie znajdują się w nich przewody elektryczne itp.**
- ◆ **Nie dotykaj obrabianego elementu lub ostrza zaraz po przerwaniu pracy urządzenia.** Mogą one być bardzo gorące.
- ◆ **Uważaj na ukryte zagrożenia i wcinając się w ściany, podłogi lub sufity uważaj na położenie przewodów i rur.**
- ◆ **Brzeszczot nadal będzie poruszać się po zwolnieniu włącznika.** Przed położeniem narzędzia zawsze wyłącz je i poczekaj, aż ostrze całkowicie się zatrzyma.

Uwaga! Kontakt lub wdychanie pyłu wytwarzanego podczas cięcia może być niebezpieczne dla zdrowia operatora i możliwych osób postronnych. Używaj respiratora zaprojektowanego specjalnie do ochrony przed pyłem i oparami i upewnij się, że osoby postronne w obszarze pracy także są chronione.

- ◆ Przeznaczenie urządzenia opisane jest w niniejszej instrukcji obsługi. Używanie jakichkolwiek akcesoriów lub wykonywanie prac sprzecznych z przeznaczeniem opisywanym w instrukcji obsługi, może powodować niebezpieczeństwo uszkodzenia ciała i/lub uszkodzenia mienia.

Bezpieczeństwo osób postronnych

- ◆ Opisywane urządzenie nie jest przeznaczone do użycia przez osoby o obniżonych możliwościach fizycznych, ruchowych lub umysłowych (także dzieci) lub o zbyt małej wiedzy i doświadczeniu, jeśli nie zostały one przeszkolone lub nie pozostają pod opieką osoby odpowiedzialnej za ich bezpieczeństwo.
- ◆ Należy pilnować dzieci, aby nie bawiły się urządzeniem.

Drgania

Podawana w tabeli danych technicznych oraz w deklaracji zgodności z normami wartość drgań (wibracji), została zmierzona zgodnie

ze standardową procedurą zawartą w normie EN 60745. Informacja ta może służyć do porównywania tego narzędzia z innymi. Deklarowana wartość emitowanych drgań może również służyć do przewidywania stopnia narażenia użytkownika na wibracje.

Uwaga! Chwilowa siła drgań, występująca w czasie pracy elektronarzędziem, może odbiegać od podawanych wartości, w zależności od sposobu użytkowania urządzenia. Poziom wibracji może przekroczyć podawaną wartość.

Przy określaniu ekspozycji na wibracje, w celu podjęcia środków ochrony osób zawodowo użytkujących elektronarzędzia zgodnie, z normą 2002/44/EC, należy uwzględnić rzeczywiste warunki i rodzaj wykonywanej pracy. Także okresy przestoju i pracy bez obciążenia.

Oznaczenia na narzędziu



Uwaga! Aby zminimalizować ryzyko zranienia, użytkownik musi zapoznać się z instrukcją obsługi.

Ochrona przed porażeniem prądem elektrycznym



To narzędzie ma podwójną izolację, dlatego też przewód uziemiający nie jest potrzebny. Zawsze sprawdzaj, czy napięcie zasilania jest zgodne z wartością podaną na tabliczce znamionowej.

- ◆ Opisywane urządzenie nie może być samodzielnie użytkowane przez osoby zbyt młode lub niewystarczająco silne. Należy pilnować dzieci, aby nie bawiły się urządzeniem.
- ◆ Ze względów bezpieczeństwa wymianę uszkodzonego przewodu zasilającego należy powierzyć producentowi lub autoryzowanemu centrum serwisowemu Black & Decker.

Dodatkowe instrukcje bezpieczeństwa dla baterii jednorazowego użytku

- ◆ Pod żadnym pozorem nie wolno otwierać baterii.
- ◆ Nie wolno przechowywać w miejscach, w których temperatura może przekroczyć 40°C.
- ◆ Utylizację akumulatorów należy przeprowadzić zgodnie z instrukcją podaną w rozdziale „Protecting the environment (Ochrona środowiska)”.

Nie palić baterii.

- ◆ W wyjątkowym wypadku może dojść do wycieku z baterii. Jeśli na baterii zauważysz płyn, postępuj w sposób poniższy:
 - Starannie zetrzyj płyn za pomocą ściereczki. Unikaj kontaktu ze skórą.

Dodatkowe instrukcje bezpieczeństwa dla laserów



Uważnie przeczytaj cały podręcznik.



Ten produkt nie może być używany przez dzieci poniżej 16 roku życia.



Promieniowanie laserowe.



Nie patrz prosto w wiązkę lasera.



Nie używaj przyrządów optycznych do obserwacji wiązki lasera.

- ◆ Ten laser jest zgodny z klasą 2 według norm EN60825-1:2007. Nie próbuj wymieniać diody laserowej na inny typ. W przypadku uszkodzenia lasera naprawiać go musi autoryzowany serwis.
- ◆ Nie używaj lasera w żadnym innym celu poza wytyczaniem linii.
- ◆ Ekspozycja oka na wiązkę lasera klasy 2 jest uznawana za bezpieczną przez maksymalnie 0,25 sekundy. Odruch powieki powinien zazwyczaj zapewnić odpowiednią ochronę. Przy odległościach powyżej 1m laser jest zgodny z klasą 1 i uznawany za całkowicie bezpieczny.
- ◆ Nigdy specjalnie nie spoglądaj bezpośrednio w wiązkę lasera.
- ◆ Nie używaj przyrządów optycznych do obserwacji wiązki lasera.
- ◆ Nie ustawiaj narzędzie tak, aby wiązka lasera mogła napotkać jakąkolwiek osobę na wysokości jej głowy.
- ◆ Nie pozwól dzieciom na przebywanie w pobliżu lasera.

Wyposażenie

1. Przycisk blokady wyłącznika
2. Wyłącznik
3. Pokrywa przedziału brzeszczotów
4. Dźwignia blokady płytki stopki
5. Wylot wyciągu pyłu
6. Końcówka wyciągu pyłu

7. Płyta stopki
8. Tarcza Auto Select™
9. Wałek podpory brzeszczotu
10. Ręczny zacisk brzeszczotu

Funkcje dodatkowe (Rys. A)

Funkcje dodatkowe zależą od zakupionego produktu. Funkcje dodatkowe powiązane z numerem katalogowym pokazano na rys. A.

Montaż

Uwaga! Przed przystąpieniem do poniższych operacji upewnij się, że narzędzie jest wyłączone i odłączone od sieci i że brzeszczot się zatrzymał. Używane ostrza mogą być gorące.

Zakładanie brzeszczotu (Rys. B)

- ◆ Przytrzymaj brzeszczot (11) zgodnie z ilustracją, zębami skierowanymi do przodu.
- ◆ Naciśnij do dołu i przytrzymaj zacisk brzeszczotu (10).
- ◆ Wsuń trzpień brzeszczotu do uchwytu ostrza (12) do oporu.
- ◆ Zwolnij zacisk brzeszczotu (10).

Magazynek brzeszczotów (Rys. C)

Brzeszczoty (11) mogą być przechowywane w przedziale magazynka umieszczonym z boku narzędzia.

- ◆ Otwórz pokrywę (3) przedziału magazynka brzeszczotów, trzymając zatrzask u góry pokrywy (3) i ciągnąc go na zewnątrz.
- ◆ Brzeszczoty są utrzymywane w przedziale przez pasek magnetyczny. Aby wyjąć brzeszczot, naciśnij jeden koniec brzeszczotu, aby unieść drugi koniec i wyjąć go.
- ◆ Zamknij pokrywę (3) magazynka brzeszczotów i upewnij się, że został zatrzasknięty.

Uwaga! Przed przystąpieniem do obsługi narzędzia dokładnie zamknij drzwiczki przedziału.

Podłączanie odkurzacza do narzędzia (Rys. D)

Do podłączenia odkurzacza do odciągu pyłu konieczna jest końcówka połączeniowa. Końcówka odciągu pyłu (6) jest dostępna u lokalnego sprzedawcy Black & Decker.

- ◆ Wciśnij końcówkę (6) do wylotu odciągu pyłu (5).
- ◆ Podłącz wąż odkurzacza do końcówki (6).

Pozostałe zagrożenia

W czasie pracy elektronarzędziem mogą powstać zagrożenia, które nie zostały uwzględnione w załączonej instrukcji dotyczącej bezpiecznego

użytkowania. Zagrożenia te mogą wynikać z niewłaściwego użytkowania, zbyt intensywnej eksploatacji lub tp.

Nawet w przypadku przestrzegania zasad bezpiecznej pracy i stosowania środków ochronnych, nie jest możliwe uniknięcie pewnych zagrożeń. Należą do nich:

- ◆ Zranienia wynikające z dotknięcia wirujących / ruchomych elementów.
- ◆ Zranienia w czasie wymiany części, ostrzy lub akcesoriów.
- ◆ Zranienia związane ze zbyt długotrwałym używaniem narzędzia. Pracując przez dłuższy czas, należy robić regularne przerwy.
- ◆ Uszkodzenie słuchu.
- ◆ Zagrożenie dla zdrowia spowodowane wdychaniem pyłu wytwarzanego podczas użytkowania urządzenia (np.: podczas pracy w drewnie, szczególnie dębowym, bukowym oraz MDF).

Eksploatacja

Regulacja płytki stopki dla cięć ukośnych (Rys. E i F)

Uwaga! Nie używaj urządzenia z poluzowaną lub zdjętą płytką stopki.

Płytkę stopki (7) może być ustawiona do lewego lub prawego cięcia pod kątem 45°.

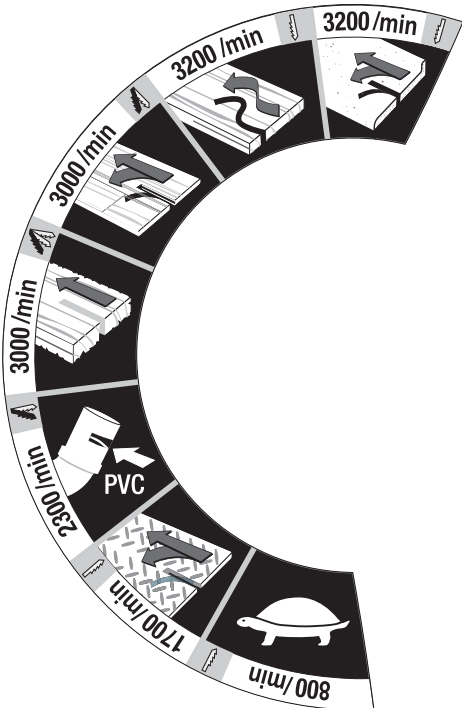







- ◆ Pociągnij dźwignię blokady płytki stopki (4) na zewnątrz, aby odblokować płytkę stopki (7) z pozycji 0 stopni (Rys. E).
- ◆ Pociągnij płytkę stopki (7) do przodu, aby ustawić odpowiedni skos 15°, 30° i 45°, zgodnie ze wskazaniem w okienku kąta skosu.
- ◆ Popchnij dźwignię blokady płytki stopki (4) z powrotem w kierunku piły, aby zablokować płytkę stopki (7).

Aby ponownie ustawić płytkę stopki (7) do cięć prostych:

- ◆ Popchnij dźwignię blokady płytki stopki (4) na zewnątrz, aby odblokować płytkę stopki (7).
- ◆ Ustaw płytkę stopki (7) pod kątem 0° i popchnij płytkę stopki do tyłu.
- ◆ Popchnij dźwignię blokady płytki stopki (4) z powrotem w kierunku piły, aby zablokować płytkę stopki (7).

Jak używać tarczy Auto Select™ (Rys. G)

To narzędzie wyposażono w unikalną tarczę Auto Select™ Dial (8) umożliwiającą wybór szybkości wahadłowego ruchu brzeszczotu w różnych zastosowaniach. Aby wybrać optymalną prędkość i ruch wahadłowy brzeszczotu dla danego typu materiału, obróć tarczę (8) zgodnie ze wskazaniem poniższej tabeli:

	Ikona	Zastosowanie	Prędkość/ wahadło	Typ brzeszczotu
		Powierzchnie i blaty kuchenne, płyty laminowane	Duża prędkość, bez wahadła	Drewno ogólnie
		Wycinanie kształtów, drewno twarde, dekarstwo, podłogi	Duża prędkość, bez wahadła	Drewno do wycinania kształtów Drewno ogólnie
		Sklejka i panele drewniane	Duża prędkość, średnie wahadło	Drewno ogólnie
		Drewno ogólnie, drewno miękkie, szybkie przecinanie	Duża prędkość, maksymalne wahadło	Drewno ogólnie
		Tworzywa, Perspex, PCV	Średnia prędkość, średnie wahadło	Zastosowania ogólne
		Blacha, blacha ocynowana, płytki ceramiczne, płyta z włókna szklanego	Mała prędkość, bez wahadła	Brzeszczot do metalu, ceramiki lub włókna szklanego
		Mała prędkość, precyzyjny start	Mała prędkość, bez wahadła	Wybierz odpowiednie ostrze dla danego zastosowania

Włączanie i wyłączenie

- ◆ Aby włączyć urządzenie, należy nacisnąć włącznik (2).
- ◆ Aby wyłączyć urządzenie, należy zwolnić włącznik (2).
- ◆ Praca ciągła możliwa jest po wciśnięciu przycisku blokady włącznika (1) i zwolnieniu włącznika (2).
- ◆ Aby wyłączyć narzędzie pracujące w trybie ciągłym, należy powtórnie nacisnąć włącznik (2) i zwolnić go.

Piłowanie

Podczas cięcia mocno trzymaj narzędzie oburącz. Płytkę stopki (7) powinna być mocno przyciśnięta do ciętego materiału. Pomoże to zapobiec zeskoczeniu piły, zmniejszy drgania i zminimalizuje uszkodzenia brzeszczotów.

- ◆ Przed rozpoczęciem cięcia pozwól pile popracować chwilę bez obciążenia.
- ◆ Zastosuj tylko delikatny nacisk na narzędzie podczas cięcia.

Obsługa lasera (Rys. H - K) (Tylko urządzenia ,L')

Instalacja baterii (Rys. H)

Odłącz moduł lasera (14) od wyrzynarki, odkręcając śrubę (13) i ciągnąc moduł lasera do przodu. Włóż dwie nowe baterie alkaliczne AAA 1,5, upewniając się, że bieguny (+) i (-) są ustawione prawidłowo. Ponownie załóż moduł lasera (14).

Regulacja ustawienia lasera (Rys. I)

Uwaga: Laser służy jako pomoc przy cięciu i nie gwarantuje jego precyzji.

Uwaga! Nie reguluj lasera, gdy wyrzynarka jest podłączona do prądu.

- ◆ Użyj śruby regulacji lasera (15), aby w razie konieczności ustawić linię lasera zgodnie z brzeszczotem.

Widoczność (moc) lasera zostanie zmniejszona, jeśli wyrzynarka się przegrzeje. Laser może być niewidoczny, jeśli piła przez długi czas pracowała pod dużym obciążeniem. Widoczność lasera stopniowo powróci do normalnego stanu, gdy narzędzie będzie stygło, nawet odłączone od prądu.

Uwaga! Nie pozostawiaj przegrzanego lasera włączonego. Upewnij się, że przełącznik ustawiono na pozycję OFF (WYŁ.) i wyjmij baterie, aby usunąć źródło zasilania lasera.

Używanie lasera (Rys. J i K).

Laser wyświetla linię cięcia (18) na powierzchni obrabianego elementu.

- ◆ Aby włączyć laser, należy nacisnąć włącznik (16).
- ◆ Aby wyłączyć laser, należy nacisnąć włącznik (16) ponownie.

Patrząc dokładnie sponad wyrzynarki możesz dokładnie podążać za linią cięcia (17). Jeśli widoczność zostanie z jakiegoś powodu ograniczona, laser może służyć jako alternatywny wskaźnik cięcia.

- ◆ Użyj ołówka, aby zaznaczyć linię cięcia (17).
- ◆ Ustaw wyrzynarkę nad linią (17).
- ◆ Włącz laser.

Obsługa oświetlenia roboczego (Rys. L i M) (tylko urządzenia ,W')

Urządzenia oznaczone literą ,W' przy numerze katalogowym wyposażone są w światło diodowe (19), które oświetla obszar wokół brzeszczotu.

- ◆ Aby wyłączyć światło, przesun przełącznik (20) na pozycję włączoną (I).
- ◆ Aby wyłączyć światło, przesun przełącznik (20) na pozycję wyłączoną (0).

Wskazówki praktyczne

Piłowanie laminatów

Podczas cięcia laminatów może nastąpić odłupywanie i uszkodzenie powierzchni zewnętrznej. Najbardziej powszechne brzeszczotną podczas ruchu do góry, dlatego też, jeśli płytką stopki jest oparta o powierzchnię zewnętrzną, użyj brzeszczotu, który tnie do dołu lub:

- ◆ Użyj brzeszczotu z małymi zębami.
- ◆ Piłuj na tylnej powierzchni elementu.
- ◆ Aby zminimalizować odłupywanie, zaciśnij niepotrzebne klocki z drewna lub płyty po obu stronach obrabianego elementu i przetnij wszystkie warstwy.

Cięcie metalu

Pamiętaj, że cięcie metalu trwa znacznie dłużej, niż cięcie drewna.

- ◆ Użyj brzeszczotu odpowiedniego do cięcia metalu.
- ◆ Podczas cięcia cienkiej blachy dociśnij niepotrzebny kawałek drewna do tylnej powierzchni i przeciąć obie warstwy.
- ◆ Nanieś warstwę oleju wzdłuż zamierzonej linii cięcia.

Konserwacja

Narzędzia Black & Decker zostały zaprojektowane tak, aby zapewnić długoletnią, prawie bezobsługową, pracę urządzenia. Aby długo cieszyć się właściwą pracą urządzenia, należy odpowiednio z nim postępować i regularnie je czyścić.

- ◆ Okresowo czyść otwory wentylacyjne narzędzia za pomocą miękkiej szczoteczki lub suchej ściereczki.
- ◆ Regularnie czyść obudowę silnika wilgotną ściereczką. Nie używaj ściernych lub rozpuszczających środków czyszczących. Nie pozwól, aby do środka narzędzia dostała się ciecz i nigdy nie zanurzaj żadnej części narzędzia w cieczy.

Ochrona środowiska



Selektywna zbiórka odpadów. Opisywanego produktu nie wolno utylizować razem ze zwykłymi śmieciami z gospodarstw domowych.

Gdy okaże się, że konieczna jest wymiana posiadanego narzędzia Black & Decker lub nie będzie się go więcej używać, nie należy wyrzucać go razem ze śmieciami z gospodarstwa domowego. Należy przekazać produkt do punktu selektywnej zbiórki odpadów.



Selektywna zbiórka zużytych produktów i opakowań pozwala na powtórne wykorzystanie użytych materiałów. Powtórne użycie materiałów pomaga chronić środowisko naturalne przed zanieczyszczeniem i zmniejsza zapotrzebowanie na surowce.

Lokalne prawodawstwo może zapewniać możliwość selektywnej zbiórki zużytych sprzętów elektrycznych, poprzez pozostawienie ich w punktach na miejskich wysypiskach śmieci lub u sprzedawcy, przy zakupie nowego sprzętu.

Black & Decker zapewnia możliwość zbiórki i recyklingu swoich produktów po zakończeniu okresu eksploatacji. Aby skorzystać z tej możliwości, prosimy zwrócić się do jednego z Autoryzowanych Przedstawicieli Serwisowych, który odbierze je od Państwa w naszym imieniu.

Adres najbliższego autoryzowanego przedstawiciela serwisowego otrzymają Państwo kontaktując się z miejscowym biurem Black & Decker, którego adres podany jest w niniejszej instrukcji obsługi. Lista autoryzowanych przedstawicieli serwisowych oraz informacje na temat naszego serwisu posprzedażnego dostępne są również na stronie internetowej: www.2helpU.com.

Akumulatory



Po zakończeniu okresu eksploatacji należy je zutylizować w sposób bezpieczny dla środowiska naturalnego:

- ◆ Nie wolno dopuszczać do zwarcia biegunów akumulatora.
- ◆ Nie wolno wrzucać zużytych akumulatorów do ognia, ponieważ grozi to zranieniem lub wybuchem.
- ◆ Całkowicie wyczerp baterię i wyjmij ją z narzędzia.
- ◆ Akumulatory podlegają recyklingowi. Należy umieścić je w opakowaniu zabezpieczającym przed zwarcieniem biegunów. Zanieś je do Autoryzowanego Serwisu lub miejscowego punktu recyklingu.

Dane techniczne

		KS900S TYP 1	KS900SL TYP 1	KS950S TYP 1
Napięcie	Vac	230	230	230
Znamionowy pobór mocy	W	620	620	650
Prędkość bez obciążenia	min ⁻¹	800-3200	800-3200	800-3200
Maksymalna głębokość cięcia				
Drewno	mm	85	85	85
Stal	mm	5	5	5
Aluminium	mm	15	15	15
Waga (z laserem)	kg	2,65	2,95	2,65

Poziom ciśnienia akustycznego zgodnie z EN 60745:

L_{pA} (ciśnienie akustyczne) 87 dB(A), niepewność (K) 3 dB(A), L_{WA} (moc akustyczna) 98 dB(A), niepewność (K) 3 dB(A)

Sumaryczna wielkość drgań (suma wektorów trzech osi) zgodnie z normą EN 60745:

Cięcie drewna ($a_{h,CW}$) 8,5 m/s², niepewność (K) 1,5 m/s², Cięcie blachy metalowej ($a_{h,CM}$) 7,3 m/s², niepewność (K) 1,5 m/s²

Deklaracja zgodności UE

DYREKTYWA MASZYNOWA



KS900S, KS900SL, KS950SL

Firma Black & Decker oświadcza, że opisywane produkty spełniają wymagania norm: 2006/42/EC, EN60745-1, EN60745-2-11

Aby otrzymać więcej informacji, należy skontaktować się z firmą Black & Decker pod adresem podanym poniżej lub na końcu instrukcji.

Osoba niżej podpisana odpowiedzialna jest za zestawienie informacji technicznych i złożenie deklaracji zgodności w imieniu firmy Black & Decker.

Kevin Hewitt
Vice-President Global
Engineering
Black & Decker Europe,
210 Bath Road, Slough,
Berkshire, SL1 3YD
Wielka Brytania
07-07-2010

Black & Decker

Warunki gwarancji:

Gwarantujemy sprawne działanie produktu, zgodnie z warunkami techniczno-eksploatacyjnymi opisanymi w instrukcji obsługi. Niniejszą gwarancją nie jest objęte wyposażenie takie, jak: szczotki, tarcze pilarskie, tarcze ściernie, wiertła i inne akcesoria, jeżeli nie została do nich dołączona oddzielna karta gwarancyjna oraz elementy podlegające naturalnemu zużyciu.

1. Niniejszą gwarancją objęte są usterki produktu spowodowane wadami produkcyjnymi i wadami materiałowymi.
2. Niniejsza gwarancja jest ważna po przedstawieniu przez Klienta w Centralnym Serwisie Gwarancyjnym reklamowanego produktu oraz łącznie:
 - a) poprawnie wypełnionej karty gwarancyjnej;
 - b) ważnego paragonu zakupu z datą sprzedaży taką, jak w karcie gwarancyjnej lub kopii faktury.
3. Gwarancja obejmuje bezpłatną naprawę urządzenia (wraz z bezpłatną wymianą uszkodzonych części) w okresie 24 miesięcy od daty zakupu.
4. Produkt reklamowany musi być:
 - a) dostarczony bezpośrednio do Centralnego Serwisu Gwarancyjnego wraz z poprawnie wypełnioną Kartą Gwarancyjną i ważnym paragonem zakupu (lub kopią faktury) oraz szczegółowym opisem uszkodzenia, lub
 - b) przesłany do Centralnego Serwisu Gwarancyjnego za pośrednictwem punktu sprzedaży wraz z dokumentami wymienionymi powyżej.
5. Koszty wysyłki do Centralnego Serwisu Gwarancyjnego ponosi Black & Decker. Wszelkie koszty związane z zapewnieniem bezpiecznego opakowania, ubezpieczeniem i innym ryzykiem ponosi Klient. W przypadku odrzucenia roszczenia gwarancyjnego, produkt jest odsyłany do miejsca nadania na koszt adresata.
6. Usterki ujawnione w okresie gwarancji będą usunięte przez Centralny Serwis Gwarancyjny w terminie:
 - a) 14 dni roboczych od daty przyjęcia produktu przez Centralny Serwis Gwarancyjny;
 - b) termin usunięcia wady (punkt 6 a) może być wydłużony o czas niezbędny do importu niezbędnych części zamiennych;
7. Klient otrzyma nowy sprzęt, jeżeli:
 - a) Centralny Serwis Gwarancyjny stwierdzi na piśmie, że usunięcie wady jest niemożliwe;
 - b) produkt nie podlega naprawie, tylko wymianie bez dokonywania naprawy.
8. O ile taki sam produkt jest nieosiągalny, może być wydany nowy produkt o niegorszych parametrach.
9. Decyzja Centralnego Serwisu Gwarancyjnego odnośnie zasadności zgłaszanych usterek jest decyzją ostateczną.
10. Gwarancją nie są objęte:
 - a) wadliwe działanie lub uszkodzenia spowodowane niewłaściwym użytkowaniem lub używaniem produktu niezgodnie z przeznaczeniem, instrukcją obsługi lub przepisami bezpieczeństwa. W szczególności profesjonalne użytkowanie amatorskich narzędzi Black & Decker powoduje utratę gwarancji;
 - b) wadliwe działanie lub uszkodzenia spowodowane przeciążaniem narzędzia, które prowadzi do uszkodzeń silnika, przekładni lub innych elementów a także stosowaniem osprzętu innego niż zalecany przez Black & Decker;
 - c) mechaniczne uszkodzenia produktu i wywołane nimi wady;
 - d) wadliwe działanie lub uszkodzenia na skutek działania pożaru, powodzi, czy też innych klęsk żywiołowych, nieprzewidzianych wypadków, korozji, normalnego zużycia w eksploatacji czy też innych czynników zewnętrznych;
 - e) produkty, w których naruszone zostały plomby gwarancyjne lub, które były naprawiane poza Centralnym Serwisem Gwarancyjnym lub były przerabiane w jakikolwiek sposób;
 - f) osprzęt eksploatacyjny dołączony do urządzenia, taki jak: wiertła, tarcze pilarskie, tarcze szlifierskie, końcówki wkręcające, noże strugarskie, brzeszczoty, papier ścierny, paski napędowe i inne elementy ulegające naturalnemu zużyciu.
11. Centralny Serwis Gwarancyjny, firmy handlowe, które sprzedały produkt, nie udzielają uprawnień ani gwarancji innych niż określone w karcie gwarancyjnej. W szczególności nie obejmują prawa klienta do domagania się zwrotu utraconych zysków w związku z uszkodzeniem produktu.
12. Gwarancja nie wyłącza, nie ogranicza ani nie zawiesza uprawnień kupującego wynikających z niezgodności towaru z umową.

Centralny Serwis Gwarancyjny ERPATECH
 ul. Obozowa 61, 01-418 Warszawa
 tel.: (22) 862-08-08, fax: (22) 862-08-09

Použitie výrobku

Vaša priamočiara píla Black & Decker je určená na rezanie dreva, plastov a kovov. Toto náradie je určené iba na spotrebiteľské použitie.

Bezpečnostné pokyny

Všeobecné bezpečnostné pokyny na prácu s elektrickým náradím



Varovanie! Prečítajte si všetky bezpečnostné pokyny a bezpečnostné výstrahy. Nedodržanie uvedených varovaní a pokynov môže viesť k úrazu elektrickým prúdom, požiaru a vážnemu zraneniu.

Všetky bezpečnostné varovania a pokyny uschovajte na prípadné ďalšie použitie.

Označenie „elektrické náradie“ vo všetkých upozorneniach odkazuje na Vaše náradie napájané zo siete (je vybavené prívodným káblom) alebo náradie napájané akumulátorom (bez prívodného kábla).

1. Bezpečnosť na pracovisku

- Pracovný priestor udržiavajte čistý a dobre osvetlený.** Preplnený a neosvetlený pracovný priestor môže viesť k spôsobeniu úrazov.
- Nepracujte s elektrickým náradím vo výbušnom prostredí, ako sú napríklad priestory s výskytom horľavých kvapalín, plynov alebo prašných látok.** V elektrickom náradí dochádza k iskreniu, ktoré môže spôsobiť vznietenie horľavého prachu alebo výparov.
- Pri práci s náradím zaistite bezpečnú vzdialenosť detí a ostatných osôb.** Rozptyľovanie môže spôsobiť stratu kontroly nad náradím.

2. Elektrická bezpečnosť

- Zástrčka prívodného kábla náradia musí zodpovedať zásuvke. Zástrčku nikdy žiadnym spôsobom neupravujte. Pri náradí chránenom uzemnením nepoužívajte žiadne redukcie zástrčiek.** Neupravované zástrčky a zodpovedajúce zásuvky znižujú riziko vzniku úrazu elektrickým prúdom.
- Nedotýkajte sa uzemnených povrchov, ako sú napríklad potrubia, radiátory, elektrické sporáky a chladničky.** Pri uzemnení Vášho tela vzrastá riziko úrazu elektrickým prúdom.
- Nevystavujte elektrické náradie dažďu alebo vlhkému prostrediu.** Ak vnikne do

elektrického náradia voda, zvýši sa riziko úrazu elektrickým prúdom.

- S prívodným káblom zaobchádzajte opatrne. Nikdy nepoužívajte prívodný kábel na prenášanie alebo posúvanie náradia a neťahajte zaň, ak chcete náradie odpojiť od elektrickej siete. Zabráňte kontaktu kábla s masťnými, horúcimi a ostrými predmetmi alebo pohyblivými časťami.** Poškodený alebo zapletený prívodný kábel zvyšuje riziko vzniku úrazu elektrickým prúdom.
 - Pri práci s náradím vonku používajte predĺžovacie káble určené na vonkajšie použitie.** Použitie kábla na vonkajšie použitie znižuje riziko úrazu elektrickým prúdom.
 - Pri práci s elektrickým náradím vo vlhkom prostredí musí byť v napájacom okruhu použitý prúdový chránič (RCD).** Použitie prúdového chrániča (RCD) znižuje riziko úrazu elektrickým prúdom.
- ### 3. Bezpečnosť obsluhy
- Zostaňte stále pozorní, sledujte, čo robíte a pri práci s elektrickým náradím pracujte s rozvahou. Nepoužívajte elektrické náradie, ak ste unavení alebo ak ste pod vplyvom drog, alkoholu alebo liekov.** Chvilka nepozornosti pri práci s elektrickým náradím môže viesť k vážnemu úrazu.
 - Používajte prostriedky na ochranu osôb. Vždy používajte prostriedky na ochranu zraku.** Ochranné prostriedky ako respirátor, protišmyková pracovná obuv, prilba a chrániče sluchu, používané v príslušných podmienkach, znižujú riziko poranenia osôb.
 - Zabráňte náhodnému zapnutiu. Pred pripojením zdroja napätia alebo pred vloženíím akumulátora a pred zdvihnutím alebo prenášaním náradia skontrolujte, či je vypnutý hlavný vypínač.** Prenášanie náradia s prstom na hlavnom vypínači alebo pripojenie prívodného kábla k elektrickému rozvodu, ak je hlavný vypínač náradia v zapnutej polohe, môže spôsobiť úraz.
 - Pred zapnutím náradia sa vždy uistite, či nie sú v jeho blízkosti kľúče alebo nastavovacie prípravky.** Ponechané kľúče môžu byť zachytené rotujúcimi časťami náradia a môžu spôsobiť úraz.
 - Neprekážajte sami sebe. Pri práci vždy udržiavajte vhodný a pevný postoj.** Tak je umožnená lepšia kontrola nad náradím v neočakávaných situáciách.

- f. **Vhodne sa obliekajte. Nenoste voľný odev alebo šperky. Dbajte na to, aby sa Vaše vlasy, odev a rukavice nedostali do kontaktu s pohyblivými časťami.** Voľné šaty, šperky alebo dlhé vlasy môžu byť pohyblivými dielmi zachytené.
- g. **Ak sú zariadenia vybavené adaptérom na pripojenie odsávacieho zariadenia, zaistíte jeho správne pripojenie a riadnu funkciu.** Použitie týchto zariadení môže znížiť nebezpečenstvo týkajúce sa prachu.
4. **Použitie elektrického náradia a jeho údržba**
- a. **Nepreťažujte elektrické náradie. Používajte na Vašu prácu správny typ elektrického náradia.** Pri použití správneho typu náradia bude práca vykonávaná lepšie a bezpečnejšie.
- b. **Ak nie je možné hlavný vypínač náradia zapnúť a vypnúť, s náradím nepracujte.** Každé elektrické náradie s nefunkčným hlavným vypínačom je nebezpečné a musí byť opravené.
- c. **Pred nastavovaním náradia, pred výmenou príslušenstva alebo ak náradie nepoužívate, odpojte zástrčku prívodného kábla od zásuvky alebo z náradia vyberte akumulátor.** Tieto preventívne bezpečnostné opatrenia znižujú riziko náhodného zapnutia náradia.
- d. **Ak náradie nepoužívate, uložte ho mimo dosahu detí a zabráňte tomu, aby bolo toto náradie použité osobami, ktoré nie sú oboznámené s jeho obsluhou alebo s týmto návodom.** Elektrické náradie je v rukách nekvalifikovanej obsluhy nebezpečné.
- e. **Vykonávajte údržbu elektrického náradia. Skontrolujte vychýlenie alebo zablokovanie pohyblivých častí, poškodenie jednotlivých dielov a iné okolnosti, ktoré môžu ovplyvniť chod náradia. Ak je náradie poškodené, nechajte ho pred použitím opraviť.** Veľa nehôd býva spôsobených nedostatočnou údržbou náradia.
- f. **Rezné nástroje udržiavajte ostré a čisté.** Riadne udržiavané rezné nástroje s ostrými reznými čepelami sú menej náchylné na zanášanie nečistotami a lepšie sa s nimi manipuluje.
- g. **Používajte elektrické náradie, príslušenstvo a držiaky nástrojov podľa týchto pokynov a berte do úvahy prevádzkové podmienky a prácu, ktorá bude vykonávaná.** Použitie náradia na iné účely, než na aké je určené, môže byť nebezpečné.

5. Opravy

- a. **Opravy elektrického náradia zverte kvalifikovanému technikovi, ktorý bude používať originálne náhradné diely.** Tým zaistíte bezpečnú prevádzku náradia.

Doplnkové bezpečnostné pokyny na prácu s elektrickým náradím



Varovanie! Doplnkové bezpečnostné pokyny pre priamočiare píly

- ◆ **Pri vykonávaní prác, pri ktorých môže dôjsť ku kontaktu pracovného nástroja so skrytým elektrickým vedením alebo s vlastným prívodným káblom, držte náradie za izolované povrchy.** Pri kontakte so „živým“ vodičom spôsobia neizolované kovové časti náradia obsluhu úraz elektrickým prúdom.
- ◆ **Na zaistenie a upnutie obrobku k pracovnému stolu používajte svorky alebo iné vhodné prostriedky.** Držanie obrobku rukou alebo opretie obrobku o časť tela nezaistí jeho stabilitu a môže viesť k strate kontroly.
- ◆ **Udržiavajte ruky v bezpečnej vzdialenosti od rezného priestoru.** Zo žiadneho dôvodu nikdy nesaiahajte do priestoru pod obrobok. Nevkladajte prsty alebo palec do blízkosti píloveho listu a upínacej svorky píloveho listu. Nepokúšajte sa stabilizovať pílu uchopením pätky píly.
- ◆ **Udržiavajte pílové listy ostré.** Tupé alebo poškodené pílové listy môžu pri práci spôsobiť vychýlenie alebo zablokovanie píloveho listu. Vždy používajte typ píloveho listu zodpovedajúci materiálu obrobku a typu rezu.
- ◆ **Pri rezaní rúrok a potrubia sa uistite, či sa v nich nenachádzajú elektrické vodiče, voda atď.**
- ◆ **Nedotýkajte sa obrobku alebo píloveho listu ihneď po ukončení rezu.** Môžu byť veľmi horúce.
- ◆ **Dávajte pozor na skryté nebezpečenstvá. Pred rezaním do stien, podláh a stropov skontrolujte polohu elektrických vodičov a potrubia.**
- ◆ **Po uvoľnení hlavného vypínača bude pílový list pokračovať v pohybe.** Pred odložením píly vždy uvoľnite hlavný vypínač a počkajte, kým nedôjde k úplnému zastaveniu píloveho listu.

Varovanie! Kontakt alebo vdychovanie prachu a pilín, ktoré vznikajú pri rezaní, môže ohroziť zdravie pracovníka aj okolostojacich osôb.

Používajte masku proti prachu určenú špeciálne na ochranu pred toxickým prachom a podobnými látkami a zaistite, aby boli takto chránené všetky osoby nachádzajúce sa alebo vstupujúce do pracovného priestoru.

- ♦ V tomto návode je opísané určené použitie tohto náradia. Použitie iného príslušenstva alebo prídavného zariadenia a vykonávanie iných pracovných operácií než je odporúčané týmto návodom, môže predstavovať riziko zranenia obsluhy alebo riziko spôsobenia hmotných škôd.

Bezpečnosť ostatných osôb

- ♦ Toto zariadenie nie je určené na použitie osobami (vrátane detí) so zníženými fyzickými, zmyslovými alebo duševnými schopnosťami, alebo nedostatkom skúseností a znalostí, ak týmto osobám nebol stanovený dohľad, alebo ak im neboli poskytnuté inštrukcie týkajúce sa použitia zariadenia osobou zodpovednou za ich bezpečnosť.
- ♦ Deti by mali byť pod dozorom, aby sa s náradím nehrali.

Vibrácie

Deklarovaná úroveň vibrácií uvedená v technických údajoch a vo vyhlásení o zhode bola meraná v súlade so štandardnou skúšobnou metódou predpísanou normou EN 60745 a môže sa použiť na porovnanie jednotlivých náradí medzi sebou. Deklarovaná úroveň vibrácií sa môže tiež použiť na predbežné stanovenie času práce s týmto náradím.

Varovanie! Úroveň vibrácií pri aktuálnom použití elektrického náradia sa môže od deklarovanej úrovne vibrácií líšiť v závislosti od spôsobu použitia náradia. Úroveň vibrácií môže byť vzhľadom na uvedenú hodnotu vyššia.

Pri stanovení času pôsobenia vibrácií, z dôvodu určenia bezpečnostných opatrení podľa normy 2002/44/EC na ochranu osôb pravidelne používajúcich elektrické náradie v zamestnaní, by mal predbežný odhad pôsobenia vibrácií brať na zreteľ aktuálne podmienky použitia náradia s prihliadnutím na všetky časti pracovného cyklu, ako sú časy, keď je náradie vypnuté a keď beží naprázdno.

Štítky na náradí



Varovanie! Z dôvodu zníženia rizika spôsobenia úrazu si používateľ musí prečítať tento návod na obsluhu.

Elektrická bezpečnosť



Toto náradie je chránené dvojitoú izoláciou. Preto nie je nutné použitie uzemňovacieho vodiča. Vždy skontrolujte, či napájacie napätie zodpovedá napätiu na výkonovom štítku.

- ♦ Toto náradie nie je určené na použitie maloletými alebo neskúsenými osobami bez dozoru. Deti musia byť pod dozorom, aby sa s náradím nehrali.
- ♦ Ak je poškodený prívodný kábel, musí byť vymenený výrobcom alebo v autorizovanom servise Black & Decker, aby sa zabránilo možným rizikám.

Ďalšie bezpečnostné pokyny pre akumulátory, ktoré nie sú určené na nabíjanie

- ♦ Nikdy sa nepokúšajte narušiť obal akumulátora.
- ♦ Neskladujte akumulátory na miestach, kde môže teplota presiahnuť 40 °C.
- ♦ Pri likvidácii akumulátorov sa riadte pokynmi uvedenými v časti „Ochrana životného prostredia“.

Akumulátory nespáľujte.

- ♦ V extrémnych podmienkach môže dochádzať k úniku kvapaliny z akumulátora. Ak zistíte únik kvapaliny z akumulátora, postupujte nasledovne:
 - Opatrne zotrite kvapalinu handričkou. Dbajte na to, aby sa táto kvapalina nedostala do kontaktu s pokožkou.

Ďalšie bezpečnostné pokyny týkajúce sa laserov



Prečítajte si pozorne celý tento návod.



Tento výrobok nie je určený pre osoby mladšie ako 16 rokov.



Laserové žiarenie.



Nepozerajte sa do laserového lúča.



Nepoužívajte na sledovanie laserového lúča optické prístroje.

- ♦ Tento laser spĺňa požiadavky týkajúce sa zariadení triedy 2 špecifikovanej normou EN60825-1:2007. Nenahradzujte diódu lasera diódou iného typu. Ak je laser poškodený,

zverte opravu lasera iba autorizovanému servisu.

- ◆ Nepoužívajte laser na iné účely, než je projekcia laserových lúčov.
- ◆ Pôsobenie lúča lasera triedy 2 na zrak osôb je považované za bezpečné, ak neprekročí trvanie žiarenia maximálne 0,25 sekundy. Reflexy očných viečok poskytujú dostatočnú ochranu. Vo vzdialenosti väčšej než 1 m zodpovedá tento laser zariadeniu triedy 1, a preto je považovaný za celkom bezpečný.
- ◆ Nikdy sa do laserového lúča nepozerajte zámerne a priamo.
- ◆ Nepoužívajte na sledovanie laserového lúča optické prístroje.
- ◆ Nenastavujte prístroj do takej výšky, aby mohol laserový lúč prechádzať cez osoby vo výške ich hláv.
- ◆ Nedovoľte deťom, aby sa približovali do blízkosti lasera.

Popis

1. Zaisťovacie tlačidlo
2. Hlavný vypínač (Zapnuté/Vypnuté)
3. Kryt úložného priestoru pre pílové listy
4. Zaisťovacia páčka základne píly
5. Výstup na odvod prachu
6. Adaptér na odsávanie
7. Základňa píly
8. Volič Auto Select™
9. Oporná kladka pílového listu
10. Rýchlopínanie pílového listu

Ďalšie funkcie (obr. A)

V závislosti od výrobku, ktorý ste si kúpili, môžu byť k dispozícii ďalšie funkcie. Ďalšie funkcie, podľa katalógového čísla kúpeného výrobku, sú zobrazené na obr. A.

Zostavenie

Varovanie! Pred vykonaním nasledujúcich operácií sa uistite, či je náradie vypnuté, odpojené od zdroja napätia a či došlo k úplnému zastaveniu pílového listu. Použitie pílové listy môžu byť horúce.

Upnutie pílového listu (obr. B)

- ◆ Uchopte pílový list (11) ako na uvedenom obrázku tak, aby jeho zuby smerovali dopredu.
- ◆ Stlačte a držte v dolnej polohe upínací mechanizmus pílového listu (10).
- ◆ Zasuňte upínaciu stopku pílového listu čo najďalej do držiaka pílového listu (12).

- ◆ Uvoľnite upínací mechanizmus pílového listu (10).

Uloženie pílového listu (obr. C)

Pílové listy (11) môžu byť uložené v úložnom priestore, ktorý sa nachádza v bočnej časti náradia.

- ◆ Otvorte kryt (3) úložného priestoru pre pílové listy uchopením výstupku na hornej časti krytu (3) a vyklopením krytu smerom von.
- ◆ Pílové listy sú v úložnom priestore pripevnené pomocou magnetickej pásky. Ak chcete pílový list z úložného priestoru vybrať, stlačte jeden koniec pílového listu, aby došlo k zdvihnutiu jeho opačného konca a pílový list vyberte.
- ◆ Zavrite kryt (3) úložného priestoru pílových listov a uistite sa, či je kryt riadne uzatvorený.

Varovanie! Pred použitím píly sa uistite, či je kryt úložného priestoru riadne uzatvorený.

Pripojenie vysávača k náradiu (obr. D)

Ak chcete k náradiu pripojiť vysávač alebo odsávacie zariadenie, musíte použiť adaptér. Adaptér na odsávanie (6) môžete kúpiť u najbližšieho autorizovaného predajcu Black & Decker.

- ◆ Nasuňte adaptér (6) na výstup pre odvod prachu (5).
- ◆ Pripojte k adaptéru (6) hadicu vysávača.

Zvyškové riziká

Ak sa náradie používa iným spôsobom, než je uvedené v priložených bezpečnostných varovaniach, môžu sa objaviť dodatočné zvyškové riziká. Tieto riziká môžu vzniknúť v dôsledku nesprávneho použitia, dlhodobého použitia atď. Napriek tomu, že sa dodržiavajú príslušné bezpečnostné predpisy a používajú sa bezpečnostné zariadenia, nemôžu sa vylúčiť určité zvyškové riziká. Tieto riziká sú nasledujúce:

- ◆ Zranenia spôsobené kontaktom s akoukoľvek rotujúcou alebo pohybujúcou sa časťou.
- ◆ Zranenia spôsobené pri výmene dielov, pracovného nástroja alebo príslušenstva.
- ◆ Zranenia spôsobené dlhodobým použitím náradia. Ak používate akékoľvek náradie dlhší čas, zaistite, aby sa robili pravidelné prestávky.
- ◆ Poškodenie sluchu.
- ◆ Zdravotné riziká spôsobené vdychovaním prachu vytváraného pri použití náradia (príklad: - práca s drevom, najmä s dubovým, bukovým a MDF).

Použitie

Nastavenie základne píly na vykonávanie šikmých rezov (obr. E a F)

Varovanie! Nikdy nepoužívajte toto náradie, ak je odobratá alebo uvoľnená základňa píly.

Základňa píly (7) môže byť nastavená doľava alebo doprava na vykonávanie šikmých rezov až do uhla 45°.

- ♦ Vysuňte zaisťovaciu páčku základne píly (4) smerom von, aby došlo k uvoľneniu základne píly (7) z polohy 0° (obr. E).
- ♦ Zatlačte základňu píly (7) smerom dopredu a nastavte požadovaný uhol šikmého rezu 15°, 30° alebo 45°, ktorý je indikovaný v okienku uhla šikmého rezu.

- ♦ Zatlačte zaisťovaciu páčku základne píly (4) späť k píle, aby došlo k zaisteniu základne píly (7).

Nastavenie základne píly (7) späť do polohy pre priame rezy:

- ♦ Vytiahnite zaisťovaciu páčku základne píly (4) smerom von, aby došlo k odisteniu základne píly (7).
- ♦ Nastavte základňu píly (7) na uhol 0° a zatlačte základňu píly dozadu.
- ♦ Zatlačte zaisťovaciu páčku základne píly (4) späť k píle, aby došlo k zaisteniu základne píly (7).

Ako používať volič Auto Select™ (obr. G)

Toto náradie je vybavené unikátnym voličom Auto Select™ (8), ktorý umožňuje nastavenie otáčok a predkmitu pílového listu na vykonávanie rôznych rezov. Ak chcete pre materiál, ktorý budete rezať, zvoliť optimálne otáčky a predkmit pílového listu, nastavte volič (8) podľa pokynov uvedených v nasledujúcej tabuľke:

	Ikonka	Použitie	Otáčky/ predkmit	Typ pílového listu
		Kuchynské dosky, dosky pracovných stolov, vrstvené dosky	Vysoké otáčky, bez predkmitu	Bežný na drevo
		Lupienkové rezy, oblúky, ručné práce, tvrdé drevá, obklady, podlahy	Vysoké otáčky, bez predkmitu	Lupienkový na drevo Bežný na drevo
		Preglejka a drevené panely	Vysoké otáčky, stredný predkmit	Bežný na drevo
		Rezivo, mäkké drevo, rýchle priečne rezy	Vysoké otáčky, maximálny predkmit	Bežný na drevo
		Plasty, plexisklo, PVC	Stredné otáčky, stredný predkmit	Univerzálny
		Tabuľové plechy, keramické obklady, laminátové dosky	Nízke otáčky, bez predkmitu	Na kov, keramiku alebo lamináty
		Nízke otáčky, presné začatie rezu	Nízke otáčky, bez predkmitu	Zvoľte správny pílový list pre vykonávaný rez

Zapnutie a vypnutie

- ♦ Ak chcete náradie zapnúť, stlačte hlavný vypínač (2).
- ♦ Ak chcete náradie vypnúť, uvoľnite hlavný vypínač (2).
- ♦ Nepretržitý chod náradia zaistíte stlačením zaistovacieho tlačidla (1) a uvoľnením hlavného vypínača (2).
- ♦ Ak chcete náradie v režime nepretržitého chodu vypnúť, stlačte znovu vypínač (2) a potom ho uvoľnite.

Rezanie

Počas rezania držte náradie pevne oboma rukami. Základňa píly (7) by mala byť pevne opretá o materiál, ktorý bude rezaný. Týmto spôsobom zabránite odskakovaniu píly, obmedzíte vibrácie a budete minimalizovať poškodenie pílového listu.

- ♦ Pred začatím rezu nechajte pílový list niekoľko sekúnd v chode naprázdno.
- ♦ Pri vykonávaní rezu vyvíjajte na náradie iba mierny tlak.

Použitie lasera (obr. H - K) (iba modely L)**Vloženie akumulátorov (obr. H)**

Vyskrutkujte skrutku (13) a vytiahnutím modulu smerom dopredu odpojte modul lasera (14) od priamočiarej píly. Vložte do modulu dve nové alkalické akumulátory veľkosti AAA 1,5 V a uistite sa, či je správne dodržaná polarita (+) a (-). Pripevnite modul lasera (14) opäť k píle.

Bočné nastavenie lasera (obr. I)

Poznámka: Laser slúži ako pomôcka na vykonávanie rezov a nezaručuje presný rez.

Varovanie! Nenastavujte laser, ak je prívodný kábel píly pripojený k zásuvke.

- ♦ Ak je to nutné, použite na zarovnanie laserového lúča s pílovým listom nastavovaciu skrutku lasera (15).

Viditeľnosť laserového lúča (výkon) bude pri prehriatí priamočiarej píly obmedzená. Ak bude priamočiara píla dlhodobo preťažená, laserový lúč nemusí byť viditeľný. Viditeľnosť laserového lúča sa bude postupne vracieť k normálu, ak bude náradie postupne chladnúť, a to aj v prípade, ak bude prívodný kábel náradia odpojený od zásuvky.

Varovanie! Nenechávajte prehriaty laser zapnutý. Uistite sa, či je vypínač v polohe VYPNUTÉ a ak chcete laser odpojiť, vyberte z modulu lasera akumulátory.

Použitie lasera (obr. J a K)

Laser premieta čiaru rezu (18) na povrch obrobku.

- ♦ Ak chcete laser zapnúť, stlačte tlačidlo (16).
- ♦ Ak chcete laser vypnúť, stlačte znovu tlačidlo (16).

Pri pohľade zhora môže byť čiara rezu (17) veľmi ľahko sledovaná. Ak by toto sledovanie bolo z akéhokoľvek dôvodu obmedzené, laserový lúč sa môže použiť ako alternatívne vodidlo na vykonávanie rezu.

- ♦ Vyznačte si čiaru rezu (17) ceruzkou.
- ♦ Položte priamočiaru pílu na čiaru rezu (17).
- ♦ Zapnite laser.

Použitie pracovného svetla (obr. L a M) (iba modely W)

Modely, ktorých katalógové číslo obsahuje písmeno W, sú vybavené diódovým svetidlom (19), ktoré osvetľuje pracovnú plochu v blízkosti pílového listu.

- ♦ Ak chcete pracovné svetlo zapnúť, nastavte vypínač (20) do polohy (I).
- ♦ Ak chcete pracovné svetlo vypnúť, nastavte vypínač (20) do polohy (0).

Rady na optimálne použitie**Rezanie vrstvených materiálov**

Pri rezaní vrstvených materiálov môže dochádzať k štiepaniu, ktoré môže spôsobiť poškodenie povrchu obrobku. Väčšina bežných pílových listov vykonáva rez počas pohybu nahor. Preto v situácii, keď je základňa píly postavená na povrchu obrobku, používajte pílový list, ktorý vykonáva rez počas pohybu dole alebo:

- ♦ Použite pílový list s jemnými zubami.
- ♦ Vykonávajte rez na opačnej strane obrobku.
- ♦ Ak chcete minimalizovať štiepanie obrobku, upnite na obe strany obrobku kúsok odpadového dreva alebo drevotriesky a vykonajte rez cez celú túto zostavu.

Rezanie kovov

Uvedomte si, že rezanie kovu zaberie omnoho viac času než rezanie dreva.

- ♦ Používajte pílové listy vhodné na rezanie kovu.
- ♦ Pri rezaní tenkých kovových plechov upnite na spodnú stranu obrobku kúsok odpadového dreva a urobte rez cez celú túto zostavu.
- ♦ Naneste pozdĺž čiar rezu tenký olejový film.

Údržba

Vaše náradie Black & Decker bolo skonštruované tak, aby pracovalo dlhý čas s minimálnymi nárokmi na údržbu. Pravidelná starostlivosť o náradie a jeho pravidelné čistenie Vám zaistia jeho bezproblémovú prevádzku.

- ♦ Vetracie otvory náradia pravidelne čistite mäkkou kefou alebo suchou handričkou.
- ♦ Pomocou vlhkej handričky pravidelne čistite kryt motora. Nepoužívajte žiadne abrazívne čistiace prostriedky alebo rozpúšťadlá. Nikdy nedovoľte, aby sa do náradia dostala akákoľvek kvapalina. Nikdy neponárajte žiadnu časť náradia do kvapaliny.

Ochrana životného prostredia



Triedte odpad. Tento výrobok nesmie byť vyhodený do bežného domového odpadu.

Ak nebudete výrobok Black & Decker ďalej používať alebo ak si prajete ho nahradiť novým, nelikvidujte ho spolu s bežným komunálnym odpadom. Zlikvidujte tento výrobok v triedenom odpade.



Triedený odpad umožňuje recykláciu a opätovné využitie použitých výrobkov a obalových materiálov. Opätovné použitie recyklovaných materiálov pomáha chrániť životné prostredie pred znečistením a znižuje spotrebu surovín.

Pri kúpe nových výrobkov Vám predajne, miestne zberne odpadov alebo recyklačné stanice poskytnú informácie o správnej likvidácii elektro odpadov z domácnosti.

Spoločnosť Black & Decker poskytuje službu zberu a recyklácie výrobkov Black & Decker po skončení ich prevádzkovej životnosti. Ak chcete získať výhody tejto služby, odovzdajte, prosím, Váš výrobok ktorémukoľvek autorizovanému zástupcovi servisu, ktorý náradie odoberie a zaistí jeho recykláciu.

Miesto najbližšieho autorizovaného servisu Black & Decker nájdete na príslušnej adrese uvedenej v tomto návode. Zoznam autorizovaných servisov Black & Decker a podrobnosti o popredajnom servise nájdete tiež na internetovej adrese: www.2helpU.com.

Akumulátor



Po ukončení ich životnosti ich likvidujte tak, aby nedošlo k ohrozeniu životného prostredia:

- ♦ Zabráňte skratovaniu kontaktov akumulátora.
- ♦ Pri likvidácii nevhadzujte nepotrebné akumulátory do ohňa, pretože by mohlo dôjsť k zraneniu osôb alebo k ich explózii.
- ♦ Nechajte náradie v chode, kým nedôjde k úplnému vybitiu akumulátora a potom ho vyberte z náradia.
- ♦ Akumulátory môžu byť recyklované. Uložte akumulátory do vhodného obalu, aby ste zamedzili skratu ich kontaktov. Odovzdajte ich v autorizovanom servise alebo do miestnej zberne, kde budú recyklované alebo zlikvidované tak, aby nedošlo k ohrozeniu životného prostredia.

Technické údaje

		KS900S TYP 1	KS900SL TYP 1	KS950S TYP 1
Napájacie napätie	V	230	230	230
Menovitý príkon	W	620	620	650
Otáčky naprázdno	min ⁻¹	800-3200	800-3200	800-3200
Max. hĺbka rezu				
Drevo	mm	85	85	85
Oceľ	mm	5	5	5
Hliník	mm	15	15	15
Hmotnosť	kg	2,65	2,65	2,65
(s laserom)	kg	2,95	2,95	2,95

Hodnota akustického tlaku meraná podľa normy EN60745:

L_{pA} (akustický výkon) 87 dB(A), odchýlka (K) 3 dB(A), L_{WA} (akustický výkon) 98 dB(A), odchýlka (K) 3 dB(A)

Celková úroveň vibrácií (priestorový vektorový súčet) podľa normy EN 60745:

Rezanie dreva ($a_{h,CW}$) 8,5 m/s², odchýlka (K) 1,5 m/s², Rezanie tabuľových plechov ($a_{h,CM}$) 7,3 m/s², odchýlka (K) 1,5 m/s²

ES Vyhlásenie o zhode v rámci EÚ

SMERNICA PRE STROJOVÉ ZARIADENIA



KS900S, KS900SL, KS950SL

Spoločnosť Black & Decker vyhlasuje, že tieto produkty opisované v technických údajoch spĺňajú požiadavky nasledujúcich noriem: 2006/42/EC, EN60745-1, EN60745-2-11

Ak chcete získať ďalšie informácie, kontaktujte, prosím, spoločnosť Black & Decker na tejto adrese alebo na adresách, ktoré sú uvedené na konci tohto návodu.

Nižšie podpísaná osoba je zodpovedná za zostavenie technických údajov a vydáva toto vyhlásenie v zastúpení spoločnosti Black & Decker.

Kevin Hewitt
Viceprezident pre
spotrebiteľskú techniku
Black & Decker Europe,
210 Bath Road, Slough,
Berkshire, SL1 3YD
United Kingdom
07-07-2010

Ak požadujete záručnú opravu, budete musieť predajcovi alebo zástupcovi autorizovaného servisu predložiť doklad o kúpe výrobku. Miesto najbližšieho autorizovaného servisu Black & Decker nájdete na príslušnej adrese uvedenej v tomto návode. Zoznam autorizovaných servisov Black & Decker a podrobnosti o popredajnom servise nájdete tiež na internetovej adrese: **www.2helpU.com**

Navštívte, prosím, našu internetovú stránku **www.blackanddecker.sk**, aby ste mohli zaregistrovať Váš nový výrobok Black & Decker a kde budete informovaní o našich nových výrobkoch a špeciálnych ponukách. Na adrese **www.blackanddecker.sk** sú k dispozícii ďalšie informácie o značke Black & Decker a o celom rade našich ďalších výrobkov.

Záruka

Spoločnosť Black & Decker je presvedčená o kvalite svojich výrobkov a ponúka mimoriadnu záruku. Táto záruka je ponúkaná v prospech zákazníka a nijako neovplyvní jeho zákonné záručné práva. Táto záruka platí vo všetkých členských štátoch EÚ a v Európskej zóne voľného obchodu EFTA.

Ak sa objavia na výrobku Black & Decker, v priebehu 24 mesiacov od kúpy, akékoľvek materiálové či výrobné chyby, garantujeme v snahe o minimalizovanie Vašich starostí bezplatnú výmenu chybných dielov, opravu alebo výmenu celého výrobku za nižšie uvedených podmienok:

- ◆ Výrobok nebol používaný na obchodné alebo profesionálne účely a nedochádzalo k jeho prenájmu.
- ◆ Výrobok nebol vystavený nesprávnemu použitiu a nebola zanedbaná jeho predpísaná údržba.
- ◆ Výrobok nebol poškodený cudzím zavinením.
- ◆ Opravy neboli vykonávané inými osobami, než autorizovanými opravármi alebo mechanikmi autorizovaného servisu Black & Decker.

Назначение

Ваш лобзик Black & Decker предназначен для распиливания древесины, пластика и металла. Данный инструмент предназначен только для бытового использования.

Инструкции по технике безопасности

Общие правила безопасности при работе с электроинструментами



Внимание! Внимательно прочтите все инструкции по безопасности и руководство по эксплуатации. Несоблюдение всех перечисленных ниже инструкций может привести к поражению электрическим током, возникновению пожара и/или получению серьезной травмы.

Сохраните все инструкции по безопасности и руководство по эксплуатации для их дальнейшего использования. Термин «Электроинструмент» во всех приведенных ниже указаниях относится к Вашему сетевому (с кабелем) электроинструменту или аккумуляторному (беспроводному) электроинструменту.

1. **Безопасность рабочего места**
 - a. **Содержите рабочее место в чистоте и обеспечьте хорошее освещение.** Плохое освещение рабочего места может привести к несчастному случаю.
 - b. **Не используйте электроинструменты, если есть опасность возгорания или взрыва, например, вблизи легко воспламеняющихся жидкостей, газов или пыли.** В процессе работы электроинструмент создает искровые разряды, которые могут воспалить пыль или горючие пары.
 - c. **Во время работы с электроинструментом не подпускайте близко детей или посторонних лиц.** Отвлечение внимания может вызвать у Вас потерю контроля над рабочим процессом.
2. **Электробезопасность**
 - a. **Вилка кабеля электроинструмента должна соответствовать штепсельной розетке. Ни в коем случае не видоизменяйте вилку электрического кабеля. Не используйте соединительные штепсели-переходники, если в силовом кабеле электроинструмента есть провод заземления.** Использование оригинальной вилки кабеля и соответствующей ей штепсельной розетки уменьшает риск поражения электрическим током.
 - b. **Во время работы с электроинструментом избегайте физического контакта с заземленными объектами, такими как трубопроводы, радиаторы отопления, электроплиты и холодильники.** Риск поражения электрическим током увеличивается, если Ваше тело заземлено.
 - c. **Не используйте электроинструмент под дождем или во влажной среде.** Попадание воды в электроинструмент увеличивает риск поражения электрическим током.
 - d. **Бережно обращайтесь с электрическим кабелем. Ни в коем случае не используйте кабель для переноски электроинструмента или для вытягивания его вилки из штепсельной розетки. Не подвергайте электрический кабель воздействию высоких температур и смазочных веществ; держите его в стороне от острых кромок и движущихся частей электроинструмента.** Поврежденный или запутанный кабель увеличивает риск поражения электрическим током.
 - e. **При работе с электроинструментом на открытом воздухе используйте удлинительный кабель, предназначенный для наружных работ.** Использование кабеля, пригодного для работы на открытом воздухе, снижает риск поражения электрическим током.
 - f. **При необходимости работы с электроинструментом во влажной среде используйте источник питания, оборудованный устройством защитного отключения (УЗО).** Использование УЗО снижает риск поражения электрическим током.
3. **Личная безопасность**
 - a. **При работе с электроинструментами будьте внимательны, следите за тем, что Вы делаете, и руководствуйтесь здравым смыслом. Не используйте электроинструмент, если Вы устали, а также находясь под действием алкоголя или понижающих реакцию**

- лекарственных препаратов и других средств. Малейшая неосторожность при работе с электроинструментами может привести к серьезной травме.
- b. **При работе используйте средства индивидуальной защиты. Всегда надевайте защитные очки.** Своевременное использование защитного снаряжения, а именно: пылезащитной маски, ботинок на нескользящей подошве, защитного шлема или противозумных наушников, значительно снизит риск получения травмы.
 - c. **Не допускайте непреднамеренного запуска. Перед тем, как подключить электроинструмент к сети и/или аккумулятору, поднять или перенести его, убедитесь, что выключатель находится в положении «выключено».** Не переносите электроинструмент с нажатой кнопкой выключателя и не подключайте к сетевой розетке электроинструмент, выключатель которого установлен в положение «включено», это может привести к несчастному случаю.
 - d. **Перед включением электроинструмента снимите с него все регулировочные или гаечные ключи.** Регулировочный или гаечный ключ, оставленный закрепленным на вращающейся части электроинструмента, может стать причиной тяжелой травмы.
 - e. **Работайте в устойчивой позе. Всегда твердо стойте на ногах, сохраняя равновесие.** Это позволит Вам не потерять контроль при работе с электроинструментом в непредвиденной ситуации.
 - f. **Одевайтесь соответствующим образом. Во время работы не надевайте свободную одежду или украшения. Следите за тем, чтобы Ваши волосы, одежда или перчатки находились в постоянном отдалении от движущихся частей инструмента.** Свободная одежда, украшения или длинные волосы могут попасть в движущиеся части инструмента.
 - g. **Если электроинструмент снабжен устройством сбора и удаления пыли, убедитесь, что данное устройство подключено и используется надлежащим образом.** Использование устройства пылеудаления значительно снижает риск возникновения несчастного случая, связанного с запыленностью рабочего пространства.
4. **Использование электроинструментов и технический уход**
 - a. **Не перегружайте электроинструмент. Используйте Ваш инструмент по назначению.** Электроинструмент работает надежно и безопасно только при соблюдении параметров, указанных в его технических характеристиках.
 - b. **Не используйте электроинструмент, если его выключатель не устанавливается в положение включения или выключения.** Электроинструмент с неисправным выключателем представляет опасность и подлежит ремонту.
 - c. **Отключайте электроинструмент от сетевой розетки и/или извлекайте аккумулятор перед регулированием, заменой принадлежностей или при хранении электроинструмента.** Такие меры предосторожности снижают риск случайного включения электроинструмента.
 - d. **Храните неиспользуемые электроинструменты в недоступном для детей месте и не позволяйте лицам, не знакомым с электроинструментом или данными инструкциями, работать с электроинструментом.** Электроинструменты представляют опасность в руках неопытных пользователей.
 - e. **Регулярно проверяйте исправность электроинструмента. Проверяйте точность совмещения и легкость перемещения подвижных частей, целостность деталей и любых других элементов электроинструмента, воздействующих на его работу. Не используйте неисправный электроинструмент, пока он не будет полностью отремонтирован.** Большинство несчастных случаев являются следствием недостаточного технического ухода за электроинструментом.
 - f. **Следите за остротой заточки и чистотой режущих принадлежностей.** Принадлежности с острыми кромками позволяют избежать заклинивания и делают работу менее утомительной.
 - g. **Используйте электроинструмент, аксессуары и насадки в соответствии с данным Руководством и с учетом рабочих условий и характера будущей работы.** Использование

электроинструмента не по назначению может создать опасную ситуацию.

5. Техническое обслуживание

- а. Ремонт Вашего электроинструмента должен производиться только квалифицированными специалистами с использованием идентичных запасных частей.** Это обеспечит безопасность Вашего электроинструмента в дальнейшей эксплуатации.

Дополнительные меры безопасности при работе с электроинструментами



Внимание! Дополнительные меры безопасности при работе лобзиками

- ◆ **Держите инструмент за изолированные ручки при выполнении операций, во время которых режущий инструмент может соприкоснуться со скрытой проводкой или собственным кабелем.** Контакт режущей принадлежности с находящимся под напряжением проводом делает не покрытые изоляцией металлические части электроинструмента «живыми», что создает опасность поражения оператора электрическим током.
- ◆ **Используйте струбцины или другие приспособления для фиксации обрабатываемой детали, устанавливая их только на неподвижной поверхности.** Если держать обрабатываемую деталь руками или с упором в собственное тело, то можно потерять контроль над инструментом или обрабатываемой деталью.
- ◆ **Держите руки вне зоны резания.** Ни в коем случае не держите руки под заготовкой. Не помещайте пальцы вблизи пильного полотна и его зажима. Не пытайтесь стабилизировать положение лобзика, удерживая его за поворотную подошву.
- ◆ **Следите за остротой заточки.** Затупленные или поврежденные пильные полотна могут заставить пилу отклониться от линии реза или остановиться под воздействием чрезмерного усилия. Всегда используйте пильное полотно, максимально соответствующее материалу заготовки и характеру реза.
- ◆ **Прежде чем приступить к резке трубы или канала, убедитесь, что в них нет воды, электропроводки и т.д.**

- ◆ **Никогда не дотрагивайтесь до обрабатываемой заготовки или пильного полотна сразу по окончании работы инструмента.** Они могут оказаться очень горячими.
- ◆ **Ознакомьтесь с возможными скрытыми опасностями перед началом сквозного врезания в стены, полы или потолки, проверьте наличие электропроводки и трубопроводов.**
- ◆ **Полотно будет продолжать движение некоторое время после того, как Вы отпустите выключатель.** Всегда выключайте электроинструмент и ждите, пока пильное полотно полностью не остановится прежде, чем положить электроинструмент.

Внимание! Контакт с пылью или вдыхание пыли, возникающей в ходе работ по резанию, может представлять опасность для здоровья оператора и окружающих лиц. Надевайте респиратор, специально разработанный для защиты от пыли и паров, и следите, чтобы лица, находящиеся в рабочей зоне, также были обеспечены средствами индивидуальной защиты.

- ◆ Назначение прибора описывается в данном руководстве по эксплуатации. Использование любых принадлежностей или приспособлений, а также выполнение данным инструментом любых видов работ, не рекомендованных данным руководством по эксплуатации, может привести к несчастному случаю и/или повреждению личного имущества.

Безопасность посторонних лиц

- ◆ Использование инструмента физически или умственно неполноценными людьми, а также детьми и неопытными лицами допускается только под контролем ответственного за их безопасность лица.
- ◆ Не позволяйте детям играть с электроинструментом.

Вибрация

Значения уровня вибрации, указанные в технических характеристиках инструмента и декларации соответствия, были измерены в соответствии со стандартным методом определения вибрационного воздействия согласно EN60745 и могут использоваться при сравнении характеристик различных инструментов. Приведенные

значения уровня вибрации могут также использоваться для предварительной оценки величины вибрационного воздействия.

Внимание! Значения вибрационного воздействия при работе с электроинструментом зависят от вида работ, выполняемых данным инструментом, и могут отличаться от заявленных значений. Уровень вибрации может превышать заявленное значение.

При оценке степени вибрационного воздействия для определения необходимых защитных мер (2002/44/ЕС) для людей, использующих в процессе работы электроинструменты, необходимо принимать во внимание действительные условия использования электроинструмента, учитывая все составляющие рабочего цикла, в том числе время, когда инструмент находится в выключенном состоянии, и время, когда он работает без нагрузки, а также время его запуска и отключения.

Маркировка инструмента



Внимание! Полное ознакомление с руководством по эксплуатации снизит риск получения травмы.

Электробезопасность



Данный электроинструмент защищен двойной изоляцией, исключающей потребность в заземляющем проводе. Следите за напряжением электрической сети, оно должно соответствовать величине, обозначенной на информационной табличке электроинструмента.

- ♦ Использование инструмента детьми и неопытными лицами допускается только под контролем ответственного за их безопасность лица. Не позволяйте детям играть с электроинструментом.
- ♦ Во избежание несчастного случая, замена поврежденного кабеля питания должна производиться только на заводе-изготовителе или в авторизованном сервисном центре Black & Decker.

Дополнительные правила безопасности при использовании неперезаряжаемых батареек питания

- ♦ Ни в коем случае не пытайтесь разобрать батарейки питания.
- ♦ Не храните в местах, где температура может превысить 40 °С.

- ♦ Утилизируйте батарейки питания, следуя инструкциям раздела «Защита окружающей среды».

Не бросайте батарейки питания в огонь.

- ♦ В критических ситуациях из батареек может вытечь жидкость (электролит). Если Вы заметили жидкость на поверхности батарейки, поступите следующим образом:
 - Аккуратно удалите салфеткой жидкость. Избегайте контакта с кожей.

Дополнительные правила безопасности при работе с лазерными приборами



Внимательно прочтите данное руководство по эксплуатации.



Не допускайте детей младше 16 лет к работе данным электроинструментом.



Лазерное излучение.



Не смотрите на лазерный луч.



Не рассматривайте лазерный луч через оптические приборы.

- ♦ Данный лазерный прибор относится к классу 2, в соответствии со стандартом EN60825-1:2007. Не заменяйте лазерный диод ни на какой другой тип. В случае повреждения лазерный прибор должен ремонтироваться только в авторизованном сервисном центре.
- ♦ Используйте лазерный прибор только для проецирования лазерных линий.
- ♦ Прямое попадание луча лазера 2-го класса в глаз считается безопасным в течение не более 0,25 секунды. В этом случае ответная реакция глазного века обеспечивает достаточную защиту глаза. На расстоянии более 1 метра данный лазерный прибор можно рассматривать как полностью безопасный лазер 1-го класса.
- ♦ Ни в коем случае не смотрите преднамеренно на лазерный луч.
- ♦ Не рассматривайте лазерный луч через оптические приборы.
- ♦ Устанавливайте лазерный прибор в таком положении, чтобы лазерный луч не проходил на уровне глаз окружающих Вас людей.
- ♦ Не разрешайте детям приближаться к лазерному прибору.

Составные части

1. Кнопка блокировки пускового выключателя
2. Клавиша пускового выключателя
3. Крышка отсека для хранения пильных полотен
4. Зажимной рычаг подошвы
5. Отверстие для удаления пыли
6. Переходник для подключения устройства пылеудаления
7. Подошва
8. Дисковой переключатель Auto Select™
9. Направляющий ролик пильного полотна
10. Зажимной рычаг пильного полотна

Дополнительные функции (Рис. А)

Устройство может иметь какие-либо дополнительные функции, в зависимости от купленного инструмента. Дополнительные функции, свойственные инструменту с данным каталожным номером, приведены на Рис. А

Сборка

Внимание! Перед выполнением любой из следующих операций убедитесь, что электроинструмент выключен и отсоединен от электросети, а пильное полотно остановлено. В процессе работы пильное полотно нагревается.

Установка пильного полотна (Рис. В)

- ◆ Держите пильное полотно (11), как показано на рисунке, направив кромку с зубьями вперед.
- ◆ Опустите и удерживайте зажимной рычаг (10).
- ◆ Вставьте хвостовик пильного полотна в держатель (12) до упора.
- ◆ Отпустите зажимной рычаг (10).

Хранение пильных полотен (Рис. С)

Пильные полотна (11) можно хранить в специальном отсеке, расположенном в боковой части электроинструмента.

- ◆ Откройте крышку (3) отсека для хранения пильных полотен, откинув ее наружу за язычок.
- ◆ Пильные полотна удерживаются в отсеке для хранения благодаря магнитной полоске. Чтобы вынуть пильное полотно, нажмите на один из концов полотна, освобождая другой конец, и выньте его из отсека.
- ◆ Закройте крышку (3) отсека для хранения пильных полотен и проверьте, что она закрылась на защелку.

Внимание! Перед тем как приступить к работе, тщательно закройте крышку отсека для хранения пильных полотен.

Подключение пылесоса к инструменту (Рис. D)

Для подключения к инструменту пылесоса или пылеудаляющего устройства необходим переходник. Переходник (6) можно приобрести у Вашего местного дилера Black & Decker.

- ◆ Вставьте переходник (6) в отверстие для удаления пыли (5).
- ◆ Подключите шланг пылесоса к переходнику (6).

Остаточные риски

При работе с данным инструментом возможно возникновение дополнительных остаточных рисков, которые не вошли в описанные здесь правила техники безопасности. Эти риски могут возникнуть при неправильном или продолжительном использовании изделия и т.п. Несмотря на соблюдение соответствующих инструкций по технике безопасности и использование предохранительных устройств, некоторые остаточные риски невозможно полностью исключить. К ним относятся:

- ◆ Травмы в результате касания вращающихся/двигающихся частей инструмента.
- ◆ Риск получения травмы во время смены деталей электроинструмента, пильных дисков или насадок.
- ◆ Риск получения травмы, связанный с продолжительным использованием инструмента. При использовании инструмента в течение продолжительного периода времени делайте регулярные перерывы в работе.
- ◆ Ухудшение слуха.
- ◆ Ущерб здоровью в результате вдыхания пыли в процессе работы с электроинструментом (например, при распиле древесины, в особенности, дуба, бука и ДВП).

Эксплуатация

Регулировка подошвы для распилов с наклоном (Рис. Е и F)

Внимание! Никогда не используйте инструмент без подошвы или с плохо закрепленной подошвой.

Подошва (7) может быть отрегулирована на левый или правый угол среза наклоном до 45°.

- ◆ Потяните зажимной рычаг подошвы(4) наружу, чтобы разблокировать подошву (7) из положения 0 градусов.
- ◆ Потяните подошву (7) вперед и установите необходимый угол среза - 15°, 30° или 45°.
- ◆ Потяните зажимной рычаг подошвы (4) назад к лезвию, чтобы заблокировать подошву (7).

Для возврата подошвы (7) в положение для прямолинейных резов:

- ◆ Потяните зажимной рычаг подошвы(4) наружу, чтобы разблокировать подошву (7).
- ◆ Установите подошву(7) на угол среза в 0° и потяните зажимной рычаг назад.
- ◆ Потяните зажимной рычаг подошвы (4) назад к лезвию, чтобы заблокировать подошву (7).

Использование дискового переключателя Auto Select™ (Рис. G)

Данный инструмент оборудован уникальным дисковым переключателем Auto Select™ (8), с помощью которого можно настраивать скорость и маятниковое движение пильного полотна для резки различных материалов. Для выбора оптимальной скорости и маятникового движения пильного полотна в зависимости от материала, поверните переключатель (8), как указано в данной таблице:

	Значок	Область применения	Скорость/ маятниковое движение полотна	Тип пильного полотна
		Кухонные рабочие поверхности, столешница кухонной мебели, ламинированная доска	Быстрая скорость, нет маятникового движения	Обычное полотно для резки древесины
		Фигурная резка/ремесленное производство, твердая древесина, палубный настил, половые доски	Быстрая скорость, нет маятникового движения	Полотно для фигурной резки Обычное полотно для резки древесины
		Фанера и древесные плиты	Быстрая скорость, среднее маятниковое движение	Обычное полотно для резки древесины
		Обычная древесина, мягкая древесина, быстрое разрезание	Быстрая скорость, максимальное маятниковое движение	Обычное полотно для резки древесины
		Пластмасса, органическое стекло, ПВХ	Средняя скорость, среднее маятниковое движение	Полотна общего назначения
		Листовое железо, керамическая плитка, стекловолоконные листы	Низкая скорость, нет маятникового движения	Полотно для резки металла, керамики или стекловолокна
		Низкая скорость, точный старт	Низкая скорость, нет маятникового движения	Выберите подходящее полотно

Включение и выключение

- ◆ Чтобы включить инструмент, нажмите на клавишу пускового выключателя (2).
- ◆ Чтобы выключить инструмент, отпустите клавишу пускового выключателя (2).
- ◆ Для непрерывного режима работы нажмите кнопку блокировки выключателя (1) и отпустите клавишу пускового выключателя (2).
- ◆ Для выключения непрерывного режима работы инструмента нажмите и отпустите клавишу пускового выключателя (2).

Пиление

Во время распила крепко удерживайте инструмент обеими руками. Подошва (7) должна быть плотно прижата к обрабатываемому материалу. Это поможет избежать подпрыгивания лобзика, снизит вибрацию и вероятность поломки пильного полотна.

- ◆ Прежде чем приступить к распилу, дайте поработать пильному полотну несколько секунд без нагрузки.
- ◆ При распиле прикладывайте к инструменту только легкое усилие.

Работа с лазером (Рис. Н-К) (только для L-моделей)

Установка батареек питания (Рис. Н)

Отсоедините лазерный модуль (14) от лобзика, выкрутив винт (13) и потянув лазерный модуль вперед. Вставьте две новые щелочные батарейки типа ААА на 1,5 В, правильно совмещая (+) и (-) контакты. Установите на место лазерный модуль (14).

Настройка лазера (Рис. I)

Примечание: Лазер служит в качестве вспомогательного инструмента при резке, и не гарантирует точность распила.

Внимание! Не проводите настройку лазера, когда лобзик подключен к сети электропитания.

- ◆ При необходимости используйте винт регулировки лазера (15), чтобы отрегулировать положение лазерной линии относительно пильного полотна.

При перегреве лобзика видимость (мощность) лазера уменьшается. Лазерный луч может быть невидимым, если лобзик подвергся перегрузке в течение длительного времени. Видимость лазерного луча постепенно вернется к норме по мере остывания инструмента, даже если

инструмент отключен от сети электропитания.

Внимание! Не оставляйте включенным перегретый лазер. Убедитесь, что выключатель находится в положении «выкл.» и выньте батарейки, чтобы отключить питание лазера.

Использование лазера (Рис. J и K)

Лазер проецирует линию распила (18) на поверхность обрабатываемой заготовки.

- ◆ Чтобы включить лазер, нажмите кнопку (16).
- ◆ Чтобы выключить лазер, повторно нажмите кнопку (16).

По линии распила (17) легко следовать, смотря прямо сверху лобзика. Если условия работы ограничивают данный вид, можно использовать лазер в качестве дополнительного указателя.

- ◆ При помощи карандаша начертите линию распила (17).
- ◆ Расположите лобзик по линии (17).
- ◆ Включите лазер.

Использование подсветки (Рис. L и M) (только для W-моделей)

Модели, каталожный номер которых имеет букву «W», оснащены светодиодной подсветкой (19) для освещения зоны вокруг пильного полотна.

- ◆ Для включения подсветки передвиньте переключатель (20) в положение «вкл.» (I).
- ◆ Для выключения подсветки передвиньте переключатель (20) в положение «выкл.» (0).

Рекомендации по оптимальному использованию

Пиление ламината

При распиле ламината может произойти его расщепление, что испортит внешний вид лицевой поверхности. Большинство стандартных пильных полотен выполняют рез при ходе вверх, поэтому, если подошва располагается на лицевой поверхности, используйте пильное полотно, которое режет при ходе вниз, или:

- ◆ Используйте пильное полотно с мелкими зубьями.
- ◆ Пилите по обратной стороне заготовки.
- ◆ Чтобы избежать расщепления ламината, поместите заготовку между двумя панелями из древесины или ДСП и пилите получившуюся сэндвич-панель.

Пиление металла

Помните, что распил металла занимает гораздо больше времени, чем распил древесины.

- ◆ Используйте пильное полотно, предназначенное для распила металла.
- ◆ Для резания тонколистового металла, прикрепите деревянную панель к обратной стороне заготовки и выполняйте рез по получившейся сэндвич-панели.
- ◆ Нанесите масляную пленку вдоль предполагаемой линии реза.

Техническое обслуживание

Ваш инструмент Black & Decker рассчитан на работу в течение продолжительного времени при минимальном техническом обслуживании. Срок службы и надежность инструмента увеличивается при правильном уходе и регулярной чистке.

- ◆ Регулярно очищайте вентиляционные отверстия Вашего инструмента мягкой щеткой или сухой тканью.
- ◆ Регулярно очищайте корпус двигателя влажной тканью. Не используйте абразивные чистящие средства, а также чистящие средства на основе растворителей. Не допускайте попадания какой-либо жидкости внутрь инструмента и никогда не погружайте в воду какую-либо из его частей.

Защита окружающей среды



Раздельный сбор. Данное изделие нельзя утилизировать вместе с обычными бытовыми отходами.

Если однажды Вы захотите заменить Ваш электроинструмент Black & Decker или Вы больше в нем не нуждаетесь, не выбрасывайте его вместе с бытовыми отходами. Отнесите изделие в специальный приемный пункт.



Раздельный сбор изделий с истекшим сроком службы и их упаковок позволяет пускать их в переработку и повторно использовать. Использование переработанных материалов помогает защищать окружающую среду от загрязнения и снижает расход сырьевых материалов.

Местное законодательство может обеспечить сбор старых электроинструментов отдельно от бытового мусора на муниципальных свалках отходов, или Вы можете сдавать их в торговом предприятии при покупке нового изделия.

Фирма Black & Decker обеспечивает прием и переработку отслуживших свой срок изделий Black & Decker. Чтобы воспользоваться этой услугой, Вы можете сдать Ваше изделие в любой авторизованный сервисный центр, который собирает их по нашему поручению.

Вы можете узнать место нахождения Вашего ближайшего авторизованного сервисного центра, обратившись в Ваш местный офис Black & Decker по адресу, указанному в данном руководстве по эксплуатации. Кроме того, список авторизованных сервисных центров Black & Decker и полную информацию о нашем послепродажном обслуживании и контактах Вы можете найти в интернете по адресу: www.2helpU.com.

Батарейки питания



По окончании срока службы утилизируйте отработанные батарейки питания безопасным для окружающей среды способом:

- ◆ Не допускайте короткого замыкания контактов батарейки питания.
- ◆ Не бросайте батарейку (батарейки) в огонь - это может послужить причиной взрыва или получения тяжелой травмы.
- ◆ Полностью разрядите батарейки питания, затем извлеките их из инструмента.
- ◆ Батарейки питания подлежат переработке. Поместите батарейку (батарейки) питания в подходящую упаковку, исключив возможность короткого замыкания контактов. Сдайте их в любой авторизованный сервисный центр или в местный пункт переработки.

Технические характеристики

		KS900S ТИП 1	KS900SL ТИП 1	KS950S ТИП 1
Напряжение				
питания	В перем. тока	230	230	230
Номинальная				
мощность	Вт	620	620	650
Число оборотов				
на х.х.	об/мин	800-3200	800-3200	800-3200
Макс. глубина распила				
Древесина	мм	85	85	85
Сталь	мм	5	5	5
Алюминий	мм	15	15	15
Вес	кг	2,65	2,65	2,65
(с лазером)	кг	2,95	2,95	2,95

Уровень звукового давления в соответствии
с EN 60745:

L_{pA} (звуковое давление) 87 дБ(А), погрешность
(К) 3 дБ(А), L_{wA} (акустическая мощность)
98 дБ(А), погрешность (К) 3 дБ(А)

Сумма величин вибрации (сумма векторов по
трем осям), измеренных в соответствии со
стандартом EN 60745:

Распил древесины ($a_{h,CW}$) 8,5 м/с², погрешность
(К) 1,5 м/с², Распил листового металла ($a_{h,CM}$)
7,3 м/с², погрешность (К) 1,5 м/с²

Декларация соответствия ЕС
ДИРЕКТИВА ПО МЕХАНИЧЕСКОМУ
ОБОРУДОВАНИЮ



KS900S, KS900SL, KS950SL

Black & Decker заявляет, что продукты,
обозначенные в разделе «Технические
характеристики», полностью соответствуют
стандартам: 2006/42/ЕС, EN60745-1,
EN60745-2-11

За дополнительной информацией обращайтесь
по указанному ниже адресу или по адресу,
указанному на последней странице
руководства.

Нижеподписавшееся лицо полностью отвечает
за соответствие технических данных и делает
это заявление от имени фирмы Black & Decker.

Кевин Хьюитт (Kevin Hewitt)
Вице-президент отдела
мирового проектирования
Black & Decker Europe,
210 Bath Road, Slough,
Berkshire, SL1 3YD
United Kingdom
07-07-2010

БЛЭК ЭНД ДЕККЕР

гарантийные условия

Уважаемый покупатель!

1. Поздравляем Вас с покупкой высококачественного изделия BLACK & DECKER и выражаем признательность за Ваш выбор.
 - 1.1. Надежная работа данного изделия в течение всего срока эксплуатации - предмет особой заботы наших сервисных служб. В случае возникновения каких-либо проблем в процессе эксплуатации изделия рекомендуем Вам обращаться только в авторизованные сервисные организации, адреса и телефоны которых Вы сможете найти в Гарантийном талоне или узнать в магазине. Наши сервисные станции - это не только квалифицированный ремонт, но и широкий выбор запчастей и принадлежностей.
 - 1.2. При покупке изделия требуйте проверки его комплектности и исправности в Вашем присутствии, инструкцию по эксплуатации и заполненный Гарантийный талон на русском языке. При отсутствии у Вас правильно заполненного Гарантийного талона мы будем вынуждены отклонить Ваши претензии по качеству данного изделия.
 - 1.3. Во избежание недоразумений убедительно просим Вас перед началом работы с изделием внимательно ознакомиться с инструкцией по его эксплуатации.
 - 1.4. Обращаем Ваше внимание на исключительно бытовое назначение данного изделия.
2. Правовой основой настоящих гарантийных условий является действующее Законодательство и, в частности, Закон "О защите прав потребителей".
3. Гарантийный срок на данное изделие составляет 24 месяца и исчисляется со дня продажи через розничную торговую сеть. В случае устранения недостатков изделия, гарантийный срок продлевается на период, в течение которого оно не использовалось.
4. Срок службы изделия - 5 лет (минимальный, установленный в соответствии с Законом "О защите прав потребителей").
5. Наши гарантийные обязательства распространяются только на неисправности, выявленные в течение гарантийного срока и обусловленные производственными и конструктивными факторами.
6. Гарантийные обязательства не распространяются:
 - 6.1. На неисправности изделия, возникшие в результате:
 - 6.1.1. Несоблюдения пользователем предписаний инструкции по эксплуатации изделия.
 - 6.1.2. Механического повреждения, вызванного внешним ударным или любым иным воздействием.
 - 6.1.3. Использования изделия в профессиональных целях и объемах, в коммерческих целях.
 - 6.1.4. Применения изделия не по назначению.
 - 6.1.5. Стихийного бедствия.
 - 6.1.6. Неблагоприятных атмосферных и иных внешних воздействий на изделие, таких как дождь, снег, повышенная влажность, нагрев, агрессивные среды, несоответствие параметров питающей электросети указанным на инструменте.
 - 6.1.7. Использования принадлежностей, расходных материалов и запчастей, не рекомендованных или не одобренных производителем.
 - 6.1.8. Проникновения внутрь изделия посторонних предметов, насекомых, материалов или веществ, не являющихся отходами, сопровождающими применение по назначению, такими как стружка опилки и пр. .
 - 6.2. На инструменты, подвергавшиеся вскрытию, ремонту или модификации вне уполномоченной сервисной станции.
 - 6.3. На принадлежности, запчасти, вышедшие из строя вследствие нормального износа, и расходные материалы, такие как приводные ремни, угольные щетки, аккумуляторные батареи, ножи, пилки, абразивы, пильные диски, сверла, буры и т. п. .
 - 6.4. На неисправности, возникшие в результате перегрузки инструмента, повлекшей выход из строя электродвигателя или других узлов и деталей. К безусловным признакам перегрузки изделия относятся, помимо прочих: появление цветов побежалости, деформация или оплавление деталей и узлов изделия, потемнение или обугливание изоляции проводов электродвигателя под воздействием высокой температуры.



ME 77



007

Блэк энд Деккер Гмбх
Блэк энд Деккер Штрассе, 40
65510 Идштайн, Германия

Область застосування

Ваша лобзикова пилка виробництва компанії Black & Decker була розроблена для розпилювання деревини, пластмаси та металу. Цей інструмент призначений лише для побутового використання.

Інструкції з техніки безпеки

Загальні правила безпеки для електричного інструменту



Попередження! Перед використанням інструменту уважно прочитайте всі попередження та інструкції.

Невиконання інструкцій, що наведені нижче, може призвести до ураження електричним струмом, пожежі та/або серйозних травм.

Збережіть всі попередження та інструкції для використання в майбутньому. Термін „електричний інструмент„ в усіх попередженнях, перерахованих нижче, стосується використовуваних Вами інструментів, що працюють від мережі енергоспоживання (з використанням електричного кабелю) або акумуляторів (без кабелю).

1. Безпека робочої зони

- a. **Тримайте робочу зону чистою та добре освітленою.** Неупорядковані та темні робочі зони збільшують ймовірність нещасного випадку.
- b. **Не використовуйте електричні інструменти у вибухонебезпечній атмосфері, наприклад, в присутності вогнебезпечних рідин, газів та пилю.** Електричні інструменти створюють іскри, що можуть запалити пил або випаровування.
- c. **Тримайте дітей та сторонніх подалі під час використання інструменту.** Відвернення уваги може призвести до втрати контролю.

2. Електрична безпека

- a. **Вилка електричного інструменту має відповідати розетці. Ніколи ніяким чином не змінюйте вилку. Не використовуйте адаптерів із заземленими електричними інструментами.** Немодифіковані вилки та розетки, що підходять до них, зменшують ризик ураження електричним струмом.
- b. **Уникайте контакту тіла з заземленими поверхнями, такими як труби, радіатори,**

плити та холодильники. Якщо Ваше тіло заземлене, збільшується ризик ураження електричним струмом.

- c. **Не залишайте електричні інструменти під дощем або в умовах підвищеної вологості.** Вода, що потрапляє в електричний інструмент, підвищує ризик ураження електричним струмом.
 - d. **Не використовуйте шнур не за призначенням. Ніколи не використовуйте шнур для перенесення, витягування та відключення від розетки живлення електричного інструменту. Тримайте шнур подалі від високих температур, мастила, гострих предметів та рухомих деталей.** Пошкоджені або перекручені шнури підвищують ризик ураження електричним струмом.
 - e. **При використанні електричного інструменту на вулиці, використовуйте подовжуючий шнур, що підходить для використання на вулиці.** Використання шнура, що підходить для вулиці, знижує ризик ураження електричним струмом.
 - f. **Якщо неможливо уникнути використання електричного інструменту в умовах підвищеної вологості, використовуйте живлення, захищене пристроєм залишкового струму (RCD).** Використання RCD знижує ризик ураження електричним струмом.
- #### 3. Особиста безпека
- a. **Будьте в стані готовності, дивіться, що ви робите, та використовуйте загальний глузд, коли ви працюєте з електричним інструментом. Не використовуйте електричний інструмент, коли ви втомлені або знаходитесь під впливом наркотичних речовин, алкоголю або ліків.** Втрата уваги при роботі з електричними інструментами може призвести до серйозних травм.
 - b. **Використовуйте особисті засоби безпеки. Завжди використовуйте засоби захисту очей.** Засоби безпеки, такі як протипилова маска, неслизькі безпечні чоботи, твердий капелюх та засоби захисту слухового апарату, які використані для відповідних умов, зменшують ймовірність особистих травм.
 - c. **Уникнення випадкового запуску. Переконайтесь в тому, що вимикач**

знаходиться в позиції **Викл. перед** підключенням до джерела живлення та/або акумулятора, переміщенням або перенесенням пристрою. Перенос електричних інструментів, не відпускаючи пальця з вимикача, або ввімкнення електричного інструменту з перемикачем в позиції „Ввімкнено“ може призвести до нещасного випадку.

- d. **Зніміть всі налаштувальні ключі або гайкові ключі перед тим, як вмикати електричний інструмент.** Гайковий ключ, що залишився прикріпленим до якоїсь деталі електричного пристрою, що обертається, може призвести до травм.
- e. **Не перенапружуйтеся. Завжди утримуйте правильну постановку ніг і рівновагу.** Це дає вам змогу краще контролювати інструмент в неочікуваних ситуаціях.
- f. **Вдягайтеся відповідним чином. Не вдягайте вільний одяг чи прикраси. Тримайте ваше волосся, одяг та рукавички подалі від рухомих деталей.** Вільний одяг, прикраси або довге волосся може зачепитися за рухомі деталі.
- g. **Якщо передбачені пристрої для підключення до засобів виділення та збирання пилу, переконайтеся, що вони правильно підключені та використовуються.** Використання таких пристроїв зменшує ризик виникнення небезпечних ситуацій, що пов'язані з потраплянням пилу.

4. Використання та догляд за електричним інструментом

- a. **Не використовуйте надмірні зусилля при роботі з інструментом. Використовуйте відповідний електричний інструмент для вашої задачі.** Правильно обраний інструмент виконає завдання краще та безпечніше за умов, для яких він був розроблений.
- b. **Не використовуйте інструмент, вмикач якого не вмикає та не вимикає його.** Будь-який електричний інструмент, який не може управлятися вмикачем, є небезпечним і має бути відремонтований.
- c. **Відключіть вилку від джерела живлення перед тим, як робити будь-які налаштування, зміни додаткового обладнання чи зберігати інструмент.** Ці профілактичні заходи зменшують

ризик випадкового запуску електричного інструменту.

- d. **Бережіть вимкнені електричні інструменти від дітей та не дозволяйте особам, що не знайомі з електричним інструментом або цими інструкціями використовувати електричний інструмент.** Електричні інструменти є небезпечними, якщо вони використовуються некваліфікованими користувачами.
- e. **Технічне обслуговування електричних інструментів. Перевіряйте на відсутність вирівнювання або заїдання рухомих деталей, ушкоджених частин та інших умов, що можуть впливати на роботу електричного інструменту.** Якщо є ушкодження, відремонтуйте електричний інструмент перед використанням. Багато нещасних випадків є результатом того, що інструмент не пройшов відповідного технічного обслуговування.
- f. **Тримайте ріжучі інструменти гострими та чистими.** Правильно доглянуті ріжучі інструменти з гострими ріжучими кромками мають меншу ймовірність заїдання, та ними легше керувати.
- g. **Використовуйте електричний інструмент, додаткові інструменти та деталі інструменту тощо у відповідності до цих інструкцій та відповідно до даного типу електричних інструментів, зважаючи на умови використання та роботу, яка має бути виконана.** Використання електричних інструментів не за призначенням може призвести до виникнення небезпечних ситуацій.

5. Обслуговування

- a. **Надавайте Ваш електричний інструмент для обслуговування кваліфікованим спеціалістом з ремонту та використовуйте тільки ідентичні заміні деталі.** Це забезпечить безпеку електричного пристрою, що обслуговується.

Додаткові правила безпеки для електричного інструменту



Попередження! Додаткові попередження з техніки безпеки для пилок.

- ◆ **Тримайте електричні інструменти за ізолювану поверхню при виконанні**

операцій, при яких ріжуча поверхня може торкнутися схованих проводки або власного кабелю. Ріжучі елементи при контакті з дротом під напругою може призвести до появи напруги в інструменті та ураження оператора електричним струмом.

- ◆ **Використовуйте затискач або інший спосіб закріплення деталі, що оброблюється, на стабільній платформі.** Утримування заготовки в руці та біля тіла робить її нестабільною та може призвести до втрати контролю.
- ◆ **Тримайте руки подалі від ріжучої поверхні.** Ніколи не підставляйте руки під заготовку. Не підносьте пальці до пильного полотна із зворотно-поступальним рухом та до фіксатора пильного полотна. Не намагайтесь зробити пилку більш стійкою, тримаючись за опорну пластину.
- ◆ **Підтримуйте пильні полотна гострими.** Затуплені або пошкоджені пильні полотна спричиняють відхилення пилки від прямої лінії та заїдання під навантаження. Завжди використовуйте відповідні пильні полотна в залежності від матеріалу заготовки та типу розрізу.
- ◆ **При розпилюванні труб або трубопроводів переконайтесь, що в них немає води, електричних кабелів, тощо.**
- ◆ **Не торкайтесь заготовки та пильного полотна відразу після використання інструменту.** Вони можуть стати дуже гарячими.
- ◆ **Перед розпилюванням стін, підлоги та стелі пам'ятайте про сховану небезпеку, перевірте розташування кабелів та труб.**
- ◆ **Пильне полотно продовжує рухатись після відпускання перемикача.** Перед тим як покласти інструмент необхідно вимкнути його та зачекати, щоб пильне полотно повністю зупинилося.

Попередження! Вдихання пилу, що утворюється при розпилюванні може бути небезпечним для здоров'я оператора та навіть спостерігачів. Необхідно використовувати протипилову маску, яка призначена спеціально для захисту від пилу та випаровувань, та переконайтесь, що особи, які знаходяться в робочій зоні, також використовують засоби захисту.

- ◆ Використання за призначенням описане в цьому керівництві. Використання аксесуарів або приладдя, або виконання будь-яких дій з інструментом, що суперечать рекомендаціям цього керівництва, може призвести до ризику травмування людини та/або пошкодження майна.

Безпека сторонніх людей

- ◆ Цей інструмент не призначений для використання людьми (включаючи дітей) з недостатніми фізичними, сенсорними або розумовими можливостями, або з недостатнім досвідом або знаннями, за винятком ситуацій, коли вони працюють під контролем або отримали відповідні інструкції щодо використання пристрою від відповідального за їх безпеку.
- ◆ Діти повинні знаходитись під контролем, щоб гарантувати, що вони не будуть грати з пристроєм.

Вібрація

Значення вібрації, вказані в технічних даних та в декларації про відповідність виміряні з дотриманням стандартних методів тестування, наданих в EN 60745, та їх можна використовувати для порівняння одного інструменту з іншим. Задекларовані значення вібрації можна також використовувати для попередньої оцінки впливу вібрації.

Попередження! Значення вібрації під час використання інструменту може відрізнятись від задекларованого в залежності від способів використання інструменту. Рівень вібрації може перевищувати вказані значення.

При оцінці впливу вібрації для визначення заходів безпеки за вимогами 2002/44/ЕС, щоб захистити людей, що регулярно використовують інструменти в роботі, необхідно враховувати реальні умови та способи використання інструменту, включаючи врахування всіх періодів робочого циклу, наприклад, часу, коли інструмент вимкнено та коли він знаходиться в режимі очікування, а також часу реальної роботи інструменту.

Наклейки на інструментах



Попередження! Щоб зменшити ризик травм, користувач повинен прочитати керівництво з експлуатації.

Електрична безпека



Цей зарядний пристрій має подвійну ізоляцію; тому заземлення не є необхідним. Завжди перевіряйте, що джерело живлення відповідає напрузі, що вказана на табличці з паспортними даними.

- ◆ Цей пристрій не призначений для використання молодими та хворими людьми без нагляду. Діти повинні знаходитись під контролем, щоб гарантувати, що вони не будуть грати з пристроєм.
- ◆ Якщо шнур живлення пошкоджений, його необхідно замінити у виробника або в офіційному сервісному центрі Black & Decker для уникнення небезпеки.

Додаткові інструкції з техніки безпеки для батарей, що не заряджаються

- ◆ Ніколи не намагайтесь відкривати батарею.
- ◆ Не зберігайте в місцях, де температура може перевищувати 40°C.
- ◆ При викиданні батарей виконуйте інструкції, наведені в розділі „Захист навколишнього середовища“.

Не спалюйте батареї.

- ◆ В екстремальних умовах може виникнути витікання батареї. Якщо Ви помітите рідину на батареях, зробіть наступне:
 - Обережно зітріть рідину ганчіркою. Уникайте контакту зі шкірою.

Додаткові інструкції з техніки безпеки для лазерів



Уважно прочитайте всі інструкції.



Цей продукт не можна використовувати дітям до 16 років.



Лазерне випромінювання.



Не дивіться на лазерний промінь.



Не використовуйте оптичні інструменти, щоб подивитися на лазерний промінь.

- ◆ Цей лазер відповідає класу 2 згідно з директивою EN 60825-1:1994+A1:2002+A2:2001. Не замінюйте лазерний діод іншим типом діоду.

Якщо лазер пошкоджений, його необхідно ремонтувати в авторизованому сервісному центрі.

- ◆ Не використовуйте лазер для інших цілей, крім проектування лазерних ліній.
- ◆ Вплив лазерного променя класу 2 на око вважається безпечним протягом 0,25 секунди. Рефлекси повіки в нормі надають адекватний захист. На відстані більше 1м лазер відповідає вимогам класу 1, тому є повністю безпечним.
- ◆ Ніколи спеціально не дивіться безпосередньо на лазерний промінь.
- ◆ Не використовуйте оптичні інструменти, щоб подивитися на лазерний промінь.
- ◆ Не встановлюйте інструмент там, де лазерний промінь може пройти крізь будь-яку людину на рівні голови.
- ◆ Не дозволяйте дітям знаходитись біля лазера.

Деталі

1. Кнопка блокування
2. Вимикач
3. Кришка відсіку для зберігання пильних полотен
4. Важіль блокування опорної плити
5. Вихідний отвір для видалення пилу
6. Адаптер для видалення пилу
7. Опорна пластина
8. Селектор Auto Select™
9. Опорний ролик пильного полотна
10. Безключовий фіксатор пильного полотна

Додаткові деталі (мал. А)

можуть застосовуватись додаткові деталі в залежності від продукту, який було придбано. Додаткові деталі, що підходять до номеру придбаного продукту за каталогом, показані на мал. А.

Зборка

Попередження! Перед виконанням будь-якої з наступних операцій переконайтесь, що інструмент вимкнений та відключений від мережі живлення, а пильне полотно повністю зупинилося. Пильні полотна, що використовувались, можуть бути гарячими.

Встановлення пильного полотна (мал. В)

- ◆ Тримайте пильне полотно (11), як показано, щоб зубці були направлені вперед.
- ◆ Натисніть та утримуйте фіксатор пильного полотна (10).

- ◆ Вставте хвостовик пильного полотна (12) в тримач полотна до упору.
- ◆ Відпустіть фіксатор пильного полотна (10).

Зберігання пильного полотна (мал. С)

Пильні полотна (11) можна зберігати у відсіку для зберігання, що розташований в боковій частині інструменту.

- ◆ Відкрийте кришку (3) відсіку для зберігання пильних полотен, тримаючи її за виступ на верхній частині кришки (3) та потягнувши назовні.
- ◆ Пильні полотна утримуються у відсіку за допомогою магнітної стрічки. Щоб зняти пильне полотно, натисніть на один кінець пильного полотна, щоб підняти другий кінець та зняти полотно.
- ◆ Закрийте кришку (3) відсіку для зберігання пильних полотен та переконайтесь, що вона зафіксована.

Попередження! Надійно закрийте кришку відсіку перед роботою з пилкою.

Підключення пилососу до інструменту (мал. D)

Для підключення пилососу або пристрою для видалення пилу до інструменту необхідний адаптер. Адаптер для видалення пилу (6) можна придбати у місцевих представників компанії Black & Decker.

- ◆ Вставте адаптер (6) в отвір для видалення пилу (5).
- ◆ Підключіть шланг пилососу до адаптера (6).

Залишкові ризики

Додаткові залишкові ризики можуть виникнути при використанні інструменту, який не включено до наведених попереджень з техніки безпеки.

Ці ризики можуть виникнути через невірне використання, тривале використання, тощо. Незважаючи на виконання всіх відповідних правил техніки безпеки та використання пристроїв безпеки, неможливо уникнути деяких залишкових ризиків. Сюди належать:

- ◆ Травми через контакт з деталями, що рухаються/обертаються.
- ◆ Травми при заміні деталей, пильних полотен або аксесуарів.

- ◆ Травми через занадто тривале використання інструменту. При використанні будь-якого інструменту протягом тривалого періоду часу не забувайте робити регулярні перерви.
- ◆ Порушення слуху.
- ◆ Небезпека для здоров'я через вдихання пилу, що утворюється при використанні інструменту (наприклад, при роботі з деревом, особливо з дубом, березою та ДВП.)

Використання

Налаштування опорної пластини для різку під кутом (мал. E і F)

Попередження! Ніколи не використовуйте інструмент, якщо опорна пластина не зафіксована або знята.

Опорна пластину (7) може бути встановлена під кутом 45° вправо або вліво.

- ◆ Потягніть важіль блокування опорної пластини (4) назовні, щоб розблокувати опорну пластину (7) з положення 0 градусів (мал. E).
- ◆ Потягніть опорну пластину (7) вперед та встановіть бажаний кут скосу 15°, 30° або 45°, що вказаний у вікні кута скосу.
- ◆ Натисніть на важіль блокування опорної пластини (4) в напрямку до пилки, щоб зафіксувати опорну пластину (7).

Для повернення опорної пластини (7) в положення для прямих розрізів:

- ◆ Натисніть на важіль блокування опорної пластини (4) в напрямку назовні, щоб розблокувати опорну пластину (7).
- ◆ Встановіть опорну пластину (7) на кут 0° та натисніть на опорну пластину.
- ◆ Натисніть на важіль блокування опорної пластини (4) в напрямку до пилки, щоб зафіксувати опорну пластину (7).

Як використовувати селектор Auto Select™ (мал. G)

Цей інструмент оснащений унікальним селектором Auto Select™ (8), який дозволяє обрати швидкість та маятникову дію пильного полотна для різних видів розрізання. Щоб обрати оптимальну швидкість та маятникову дію пильного полотна для певного типу матеріалу, поверніть селектор (8), як показано в таблиці нижче:

	Позна-чка	Застосування	Швидкість/ маятникова дія	Тип пильного полотна
		Кухонні робочі поверхні, робочі поверхні, ламінат	Велика швидкість, без маятника	Деревина
		Листова деревина/ криві лінії/ ремесла, тверда деревина, виготовлення палуб, підлоги	Велика швидкість, без маятника	Листова деревина Деревина
		Фанера та дерев'яні панелі	Велика швидкість, середня маятникова дія	Деревина
		Лісоматеріали, м'яка деревина, швидкі розрізи	Велика швидкість, максимальна маятникова дія	Деревина
		Пластмаси, плексиглас, ПВХ	Середня швидкість, середня маятникова дія	Загальне використання
		Луджений листовий метал, керамічна плитка, скловолокна	Мала швидкість, без маятника	Металеве або керамічне полотно або полотно зі скловолокна
		Мала швидкість, прецизійний пуск	Мала швидкість, без маятника	Оберіть вірне пильне полотно відповідно до способу застосування

Вмикання та вимикання

- ◆ Щоб ввімкнути інструмент, натисніть на перемикач (2).
- ◆ Щоб вимкнути інструмент, відпустіть перемикач (2).
- ◆ Для безперервної роботи натисніть кнопку блокування (1) та відпустіть перемикач змінної швидкості (2).

- ◆ Щоб вимкнути інструмент при безперервній роботі, натисніть перемикач змінної швидкості (2) та відпустіть його.

Розпилювання

При розпилюванні міцно тримайте інструмент обома руками. Необхідно добре притискати опорну пластину (7) до матеріалу, що розпилюється. Це допоможе уникнути віддачу

пилки, зменшити вібрацію та мінімізувати можливість поломки пильного полотна.

- ◆ Полотно повинно спочатку просто попрацювати перед початком різання.
- ◆ Застосовуйте лише м'який тиск на інструмент при розпилюванні.

Використання лазеру (мал. Н - К) (лише пристрої з літерою 'L')

Встановлення батарей (мал. Н)

Зніміть лазерний блок (14) з пилки, відкрутивши гвинт (13) та потягнувши лазерний блок вперед. Вставте дві нові лужні батареї 1,5 Вольт ААА, слідкуючи за тим, щоб вірно розташувати термінали (+) і (-). Встановіть лазерний блок на місце (14).

Налаштування лазеру по боках (мал. І)

Примітка: Лазер призначений для допомоги при розпилюванні та не гарантує точність розрізів.

Попередження! Не налаштовуйте лазер, коли пилка підключена до джерела живлення.

- ◆ Використовуйте налаштувальний гвинт лазеру (15), щоб вирівняти лінію лазеру по пильному полотну, як це необхідно.

Видимість лазеру (потужність) зменшується, якщо пилка перегрівається. Лазер стає невидимим, якщо пилка перенавантажена протягом тривалого часу. Видимість лазеру поступово повертається до нормальної, коли інструмент охолоджується, навіть якщо він відключений від джерела живлення.

Попередження! Не залишайте лазер увімкнений, коли він перегрівся. Переконайтесь, що перемикач в положенні Викл., та витягніть батареї, щоб відключити живлення лазеру.

Використання лазеру (мал. J і K)

Лазер проектує лінію розрізу (18) на поверхню заготовки.

- ◆ Щоб увімкнути лазер, натисніть на кнопку (16).
- ◆ Щоб вимкнути лазер, натисніть на кнопку ще раз (16).

Дивлячись на лінію з положення над пилкою, можна легко побачити лінію розрізу (17). Якщо неможливо дивитися таким чином, можна використовувати лазер як альтернативу направляючої при розрізанні.

- ◆ Нанесіть лінію розрізання олівцем (17).
- ◆ Розташуйте пилку над лінією (17).
- ◆ Увімкніть лазер.

Використання світильника (мал. L і M) (лише пристрої з літерою ,W')

Пристрої, помічені літерою ,W' в номері за каталогом оснащені світлодіодним світильником (19), який освітлює область навколо пильного полотна.

- ◆ Щоб увімкнути цей світильник, перемістіть перемикач (20) в положення вкл. (I).
- ◆ Щоб вимкнути цей світильник, перемістіть перемикач (20) в положення викл. (O).

Примітки для оптимального використання

Розпилювання ламінатів

при розпилюванні ламінатів матеріал може розколотися, пошкодивши лицьову поверхню. Більшість пильних полотен розрізають знизу вверх, тому якщо опорна плита притиснена до лицьової сторони матеріалу, краще використовуйте пильне полотно, що ріже зверху донизу або:

- ◆ Використовуйте пильне полотно з мілкими зубцями.
- ◆ Розпилуйте з задньої сторони заготовки.
- ◆ Щоб звести до мінімуму можливість розколювання, прикріпіть до заготовки шматочок дерева або картону з обох сторін та розпилуйте цей „сандвіч“.

Розпилювання металу

Пам'ятайте, що розпилювання металу займає набагато більше часу, ніж розпилювання деревини.

- ◆ Використовуйте спеціальне пильне полотно для металу.
- ◆ При розрізанні листового металу закріпіть шматочок дерева до задньої поверхні заготовки та розрізайте цей „сандвіч“.
- ◆ Нанесіть шар мастила вздовж необхідної лінії розрізу.

Технічне обслуговування

Ваш інструмент виробництва компанії Black & Decker призначений для роботи протягом довгого часу з мінімальним обслуговуванням. Постійна задовільна робота залежить від правильного догляду за інструментом та регулярної очистки.

- ◆ Регулярно очищуйте вентиляційні отвори інструменту, використовуючи м'яку щітку чи суху ганчірку.
- ◆ Регулярно очищуйте корпус мотору, використовуючи вологу ганчірку. Не використовуйте абразивні очищувачі

та засоби, що містять розчинники. Не дозволяйте рідині потрапляти всередину інструменту та ніколи не занурюйте деталі інструменту в рідину.

Захист навколишнього середовища



Окреме збирання. Цей продукт не можна викидати разом зі звичайним побутовим сміттям.

Якщо якимось ви вирішите, що ваш виріб фірми Black & Decker має бути замінено, або він Вам більше не потрібний, не викидайте його на смітник побутового сміття. Зробіть цей виріб доступним для спеціального збирання.



Окремий збір використаних виробів та упаковки дозволяє повторно переробляти та використовувати матеріали. Повторна переробка матеріалів допомагає попередити забруднення навколишнього середовища та зменшує потребу в сировині.

Місцеві законодавчі акти можуть передбачати окремий збір електричного обладнання в муніципальних місцях для збору сміття або продавцями при покупці нового обладнання.

Компанія Black & Decker має можливість для збору та переробки продуктів власного виробництва після закінчення їхнього терміну служби. Щоб скористатися цією послугою, поверніть виріб компанії в офіційний сервісний центр, які збирають відпрацьовані продукти за наш рахунок.

Ви можете знайти місцезнаходження найближчого до Вас сервісного центру, зв'язавшись з місцевим офісом компанії Black & Decker за адресою, вказаною в цих інструкціях. Крім того, список офіційних сервісних центрів компанії Black & Decker з усіма подробицями нашого післяпродажного обслуговування та контактною інформацією міститься в Інтернеті за адресою:

www.2helpU.com.

Батареї



В кінці їхнього строку служби викиньте батареї, не забуваючи про навколишнє середовище:

- ◆ Не змикайте контакти батареї.
- ◆ Не викидайте батареї у вогонь, це може призвести до травми або вибуху.
- ◆ Батарея повинна бути повністю розряджена, потім витягніть її з інструменту.
- ◆ Батареї піддаються повторній переробці. Помістіть батарею у відповідну упаковку, щоб запобігти замиканню контактів. Віднесіть їх в будь-який офіційний ремонтний центр або на місцеву переробну станцію.

Технічні дані

		KS900S	KS900SL	KS950S
		ТИП 1	ТИП 1	ТИП 1
Напруга	V_{AC}	230	230	230
Номинальна споживана потужність	Вт	620	620	650
Швидкість без навантаження	хв. ⁻¹	800-3200	800-3200	800-3200
Макс. глибина розрізу				
Деревина	мм	85	85	85
Сталь	мм	5	5	5
Алюміній	мм	15	15	15
Вага	кг	2,65	2,65	2,65
(з лазером)	кг	2,95	2,95	2,95

Рівень звукового тиску згідно з EN60745:

L_{pA} (звуковий тиск) 87 дБ(А), похибка (К) 3 дБ(А)

L_{pA} (звукова потужність) 98 дБ(А), похибка (К) 3 дБ(А)

Загальні значення вібрації (векторна сума трьох векторів) згідно з EN 60745:

Розрізання деревини ($a_{h,cw}$) 8,5 м/с², похибка (К) 1,5 м/с², Розрізання листового металу ($a_{h,cm}$) 7,3 м/с², похибка (К) 1,5 м/с²

Заява про відповідність ЄС
ДИРЕКТИВА ДЛЯ МЕХАНІЧНОГО
ОБЛАДНАННЯ



KS900S, KS900SL, KS950SL

Компанія Black & Decker заявляє, що продукти,
описані в розділі „Технічні дані“ відповідають:
2006/42/EC, EN60745-1, EN60745-2-11

Для отримання додаткової інформації, будь
ласка, зверніться до компанії Black & Decker за
наступною адресою або прочитайте інформацію
на зворотній стороні цього керівництва.

Нижчепідписаний несе відповідальність за
упорядкування файлу технічних характеристик
та робить цю заяву від компанії Black & Decker

Кевін Хьюїт (Kevin Hewitt)
Віце-президент
з глобальних розробок
Black & Decker Europe,
210 Bath Road, Slough,
Berkshire, SL1 3YD
Великобританія
07-07-2010

БЛЕК ЕНД ДЕККЕР

гарантійні умови

Шановний покупцю!

1. Вітаємо Вас з покупкою високоякісного виробу компанії Black & Decker та висловлюємо Вам свою вдячність за Ваш вибір.
 - 1.1. Надійна робота цього виробу на протязі всього терміну експлуатації є предметом особливої турботи наших сервісних служб. У випадку виникнення будь-яких проблем в процесі експлуатації виробу ми рекомендуємо Вам звертатися лише до авторизованих сервісних організацій, адреси та телефони яких Ви зможете знайти в Гарантійному талоні або дізнатися в магазині. Наші сервісні центри – це не тільки кваліфікований ремонт, але і широкий вибір запчастин та аксесуарів.
 - 1.2. При купівлі виробу вимагайте перевірки його комплектності та справності за Вашої присутності, наявності інструкції з експлуатації та заповненого Гарантійного талону на українській мові. За умови відсутності у Вас правильно заповненого Гарантійного талону ми будемо вимушені відхилити Ваші претензії щодо якості цього виробу.
 - 1.3. Щоб уникнути всіх непорозумінь наполегливо просимо Вас перед початком роботи з виробом уважно ознайомитись з інструкцією щодо його експлуатації.
 - 1.4. Звертаємо Вашу увагу на виключно побутове призначення цього виробу.
2. Правовою основою даних гарантійних умов є діюче Законодавство та, зокрема, Закон "Про захист прав споживачів".
3. Гарантійний термін на даний виріб складає 24 місяці та починається з дня продажу через роздрібну торгову мережу. У випадку усунення недоліків виробу гарантійний термін подовжується на період, протягом якого виріб не використовувався.
4. Термін служби виробу - 5 років (мінімальний, встановлений у відповідності до Закону "Про захист прав споживачів").
5. Наші гарантійні зобов'язання поширюються тільки на несправності, виявлені протягом гарантійного терміну та обумовлені виробничими та конструктивними факторами.
6. Гарантійні зобов'язання не поширюються:
 - 6.1. На несправності виробу, що виникли в результаті:
 - 6.1.1. Недотримання користувачем вказівок інструкції з експлуатації виробу.
 - 6.1.2. Механічних пошкоджень, викликаних зовнішнім ударним або іншим впливом.
 - 6.1.3. Використання виробу в професійних цілях та об'ємах, в комерційних цілях.
 - 6.1.4. Застосування виробу не за призначенням.
 - 6.1.5. Стихійного лиха.
 - 6.1.6. Несприятливого атмосферному та інших зовнішніх впливах на виріб, таких як дощ, сніг, підвищена вологість, нагрів, агресивні середовища, невідповідність параметрів електромережі параметрам, вказаним на інструменті.
 - 6.1.7. Використання аксесуарів, витратних матеріалів та запчастин, які не рекомендовані або не схвалені виробником.
 - 6.1.8. Проникнення всередину інструменту сторонніх предметів, комах, матеріалів або речовин, що не є відходами, які супроводжують використання інструменту за призначенням, наприклад, стружки, опилки та ін.
 - 6.2. На інструменти, що були відкриті, піддані ремонту або модифікації поза уповноваженим сервісним центром.
 - 6.3. На приналежності, запчастини, що вийшли з ладу внаслідок нормального зносу, та витратні матеріали, такі як, приводні ремені, вугільні щітки, ножі, та ін.
 - 6.4. На несправності, які виникли в результаті перевантаження інструменту, що призвело до виходу з ладу електродвигуна або інших вузлів та деталей. До безумовних ознак перевантаження виробу належать, зокрема: поява кольорів мінливості, деформація або оплавлення деталей та вузлів виробу, потемніння або обвуглювання ізоляції дротів електродвигуна під впливом високої температури.



Блек енд Декер ГмБХ,
Блек енд Декер Штрассе, 40,
65510 Ідштайн, Німеччина.

03 червня 1999 р.

Kullanım amacı

Black & Decker dekupaj testereniz ahşap, plastik ve metal kesimi için tasarlanmıştır. Bu alet sadece hafif hizmet ve hobi kullanımı içindir.

Güvenlik talimatları

Genel elektrikli alet güvenlik uyarıları



Uyarı! Bütün güvenlik uyarılarını ve talimatlarını mutlaka okuyun. Bu talimatların herhangi birisine uyulmaması elektrik çarpması, yangın ve/veya ciddi yaralanma riskine neden olabilir.

Bütün uyarı ve güvenlik talimatlarını ileride bakmak üzere saklayın. Aşağıda yer alan uyarılardaki «elektrikli alet» terimi şebeke elektriğiyle (kablolu) veya akü/pille (şarjlı) çalışan elektrikli aletinizi ifade etmektedir.

1. Çalışma alanının güvenliği

- Çalışma alanını temiz ve aydınlık tutun.** Karışık ve karanlık alanlar kazaya davetiye çıkartır.
- Elektrikli aletleri, yanıcı sıvılar, gazlar ve tozların bulunduğu yerler gibi yanıcı ortamlarda çalıştırmayın.** Elektrikli aletler, toz veya dumanları ateşleyebilecek kıvılcıklar çıkartır.
- Bir elektrikli aleti çalıştırırken çocuklardan ve etraftaki kişilerden uzak tutun.** Dikkatinizi dağıtıcı şeyler kontrolü kaybetmenize neden olabilir.

2. Elektrik güvenliği

- Elektrikli aletlerin fişleri prizlere uygun olmalıdır. Fiş üzerinde kesinlikle hiçbir değişiklik yapmayın. Topraklı elektrikli aletlerde hiçbir adaptör fişi kullanmayın.** Değiştirilmemiş fişler ve uygun prizler elektrik çarpması riskini azaltacaktır.
- Borular, radyatörler, ocaklar ve buzdolapları gibi topraklanmamış yüzeylerle vücut temasından kaçının.** Vücudunuzun topraklanması halinde yüksek bir elektrik çarpması riski vardır.
- Elektrikli aletleri yağmura maruz bırakmayın veya ıslatmayın.** Elektrikli alete su girmesi elektrik çarpması riskini arttıracaktır.
- Elektrik kablosunu uygun olmayan amaçlarla kullanmayın. Elektrikli aleti kesinlikle kablosundan tutarak taşımayın, çekmeyin veya prizden çıkartmayın. Kabloyu sıcaktan, yağdan, keskin**

kenarlardan veya hareketli parçalardan uzak tutun. Hasarlı veya dolaşmış kablolar elektrik çarpması riskini artırır.

- Elektrikli bir aleti açık havada çalıştırıyorsanız, açık havada kullanıma uygun bir uzatma kablosu kullanın.** Açık havada kullanıma uygun bir kablonun kullanılması elektrik çarpması riskini azaltır.
 - Eğer bir elektrikli aletin nemli bir bölgede çalıştırılması zorunluysa, bir artık akım aygıtı (RCD) korumalı bir kaynak kullanın.** Bir RCD kullanılması elektrik şoku riskini azaltır.
- ### 3. Kişisel güvenlik
- Elektrikli bir aleti kullanırken her zaman dikkatli olun, yaptığınız işe yoğunlaşın ve sağduyulu davranın. Elektrikli bir aleti yorgunken veya ilaç ya da alkolün etkisi altındayken kullanmayın.** Elektrikli aletleri kullanırken bir anlık dikkatsizlik ciddi kişisel yaralanmayla sonuçlanabilir.
 - Kişisel koruyucu ekipmanları mutlaka kullanın. Daima koruyucu gözlük takın.** Koşullara uygun toz maskesi, kaymayan güvenlik ayakkabıları, baret veya kulaklık gibi koruyucu donanımların kullanılması kişisel yaralanmaları azaltacaktır.
 - İstem dışı çalıştırılmasını önleyin. Cihazı güç kaynağına ve/veya aküye bağlamadan, yerden kaldırmadan veya taşımadan önce düğmenin kapalı konumda olduğundan emin olun.** Aleti, parmağınız düğme üzerinde bulunacak şekilde taşımak veya açık konumdaki elektrikli aletleri elektrik şebekesine bağlamak kazaya davetiye çıkartır.
 - Elektrikli aleti açmadan önce tüm ayarlama anahtarlarını çıkartın.** Elektrikli aletin hareketli bir parçasına takılı kalmış bir anahtar kişisel yaralanmaya neden olabilir.
 - Ulaşmakta zorlandığınız yerlerde kullanmayın. Daima sağlam ve dengeli basın.** Bu, beklenmedik durumlarda elektrikli aletin daha iyi kontrol edilmesine olanak tanır.
 - Uygun şekilde giyinin. Bol elbiseler giymeyin ve takı takmayın. Saçınızı, elbiselerinizi ve eldivenlerinizi hareketli parçalardan uzak tutun.** Bol elbiseler ve takılar veya uzun saç hareketli parçalara takılabilir.
 - Eğer kullandığınız üründe toz emme ve toplama özellikleri olan ataşmanlar varsa bunların bağlı olduğundan ve doğru şekilde kullanıldığından emin olun.** Bu ataşmanların kullanılması tozla ilgili tehlikeleri azaltabilir.

4. Elektrikli aletlerin kullanımı ve bakımı

- a. **Elektrikli aleti zorlamayın. Uygulamanız için doğru elektrikli aleti kullanın.** Doğru elektrikli alet, belirlendiği kapasite ayarında kullanıldığında daha iyi ve güvenli çalışacaktır.
- b. **Düğme açmıyor ve kapatmıyorsa elektrikli aleti kullanmayın.** Düğmeyle kontrol edilemeyen tüm elektrikli aletler tehlikelidir ve tamir edilmesi gerekmektedir.
- c. **Herhangi bir ayarlama, aksesuar değişimi veya elektrikli aletlerin saklanması öncesinde fişi güç kaynağından çekin ve/veya aküyü elektrikli aletten ayırın.** Bu tür önleyici güvenlik tedbirleri aletin istem dışı olarak çalıştırılması riskini azaltacaktır.
- d. **Elektrikli aleti, çocukların ulaşamayacağı yerlerde saklayın ve elektrikli aleti tanımayan veya bu talimatları bilmeyen kişilerin elektrikli aleti kullanmasına izin vermeyin.** Elektrikli aletler, eğitimsiz kullanıcıların elinde tehlikelidir.
- e. **Elektrikli aletleri iyi durumda muhafaza edin. Hareketli parçalardaki hizalama hatalarını ve tutuklukları, parçalardaki kırılmalar ve elektrikli aletin çalışmasını etkileyebilecek tüm diğer koşulları kontrol edin. Hasarlı ise, elektrikli aleti kullanmadan önce tamir ettirin.** Kazaların çoğu, elektrikli aletlerin bakımının yeterli şekilde yapılmamasından kaynaklanır.
- f. **Kesim aletlerini keskin ve temiz tutun.** Bakımı uygun şekilde yapılmış keskin kesim uçlu kesim aletlerinin sıkışma ihtimali daha düşüktür ve kontrol edilmesi daha kolaydır.
- g. **Elektrikli aleti, aksesuarlarını ve aletin diğer parçalarını kullanırken bu talimatlara mutlaka uyun ve çalışma ortamının koşullarını ve yapılacak işin ne olduğunu göz önünde bulundurun.** Elektrikli aletin öngörülen işlemler dışındaki işlemler için kullanılması tehlikeli durumlara neden olabilir.

5. Servis

- a. **Elektrikli aletinizi, sadece orijinal yedek parçaların kullanıldığı yetkili servise tamir ettirin.** Bu, elektrikli aletin güvenliğinin muhafaza edilmesini sağlayacaktır.

Elektrikli el aletleri için ek güvenlik talimatları



Uyarı! Dekupaj testereleri için ek güvenlik talimatları

- ◆ **Kesme aksesuarının gizli kabloları veya kendi kablosuna temas edebileceği yerlerde çalışma yaparken elektrikli aleti yalıtımlı kavrama yüzeylerinden tutun.** Kesme aksesuarının «akım taşıyan» bir kabloya temas etmesi durumunda elektrikli aletin metal kısımları da «akım taşıyıcı» hale gelecek ve kullanıcının elektrik çarpmasına neden olabilir.
- ◆ **Üzerinde çalıştığınız parçayı sabitlemek ve desteklemek için kelepçeler veya başka pratik yöntemler kullanın.** Parçayı elle veya vücudunuza dayamanız dengesiz durmasına neden olacaktır ve aletin kontrolünü kaybetmenize yol açabilir.
- ◆ **Ellerinizi kesim alanından uzak tutun.** Çalıştığınız parçanın altına hiçbir nedenle girmeyin. Pistonlu bıçak ve bıçak kelepçesinin yakınına parmaklarınızı veya başparmağınızı sokmayın. Testereyi tabanından tutarak dengelemeye çalışmayın.
- ◆ **Bıçakları keskin durumda muhafaza edin.** Körelmiş veya hasarlı bıçaklar testerenin basınç altında başka bir yöne fırlamasına veya sıkışmasına neden olabilir. Her zaman, üzerinde çalışılan malzeme ve kesim tipine uygun tipte testere bıçağı kullanın.
- ◆ **Boru veya kanal keserken içlerinden su, elektrik kablosu vb. geçmediğinden emin olun.**
- ◆ **Aletle çalıştıktan sonra çalışma parçası veya bıçağı dokunmayın.** Çok sıcak olabilirler.
- ◆ **Duvarlarda, zeminlerde veya tavanlarda kesim yapmadan önce gizli tehlikelere karşı dikkatli olun; kablo ve boruların yerlerini kontrol edin.**
- ◆ **Bıçak, düğme bırakıldıktan sonra da hareket etmeye devam edecektir.** Aleti yere bırakmadan önce daima kapatın ve testere bıçağının tamamen durmasını bekleyin.

Uyarı! Kesim uygulamaları nedeniyle açığa çıkan tozla temas, operatörün ve çevrede bulunanların sağlığını tehlikeye atabilir. Toz ve dumanlara karşı korunma için özel olarak tasarlanmış bir toz maskesi kullanın ve çalışma alanına giren veya bu alanda bulunan kişilerin de korunduğundan emin olun.

- ◆ Kullanım amacı bu kullanım kılavuzunda açıklanmıştır. Herhangi bir aksesuarın veya bağlantının ya da işlemin, bu kılavuzda tavsiye edilen şekilden başka bir şekilde kullanılması şahısların yaralanmalarına ve/veya mal kaybına yol açabilir.

Diğer kişilerin güvenliği

- ◆ Bu alet fiziksel ve zihinsel kapasitesinin yanı sıra algılama gücü azalmış olan veya yeterince deneyim ve bilgisi bulunmayan kişiler (çocuklar dahil) tarafından kullanılmak üzere üretilmemiştir. Bu tür kişiler aleti ancak güvenliklerinden sorumlu bir kişi tarafından cihazın kullanımıyla ilgili talimatların verilmesi veya sürekli kontrol altında tutulması durumunda kullanabilir.
- ◆ Çocuklar, aletle oynamalarını önlemek amacıyla kontrol altında tutulmalıdır.

Titreşim

Teknik veriler ve uygunluk beyanati içerisinde belirtilen titreşim emisyon değerleri EN60745 tarafından belirlenen standart bir test yöntemine uygun olarak ölçülmektedir ve diğer bir aletle karşılaştırma yaparken kullanılabilir. Beyan edilen titreşim emisyon değeri aynı zamanda maruz kalmanın önceden değerlendirilmesinde de kullanılabilir.

Uyarı! Elektrikli aletin mevcut kullanımı sırasındaki titreşim emisyon değeri, aletin kullanım yöntemine bağlı olarak, beyan edilen değere göre farklılık sergileyebilir. Titreşim düzeyi belirlenen seviyenin üzerinde artış gösterebilir.

İşyerinde düzenli olarak elektrikli alet kullanan çalışanları korumak amacıyla 2002/44/EC tarafından getirilen elektrik güvenliği önlemlerini belirlemek üzere titreşime maruz kalmayı değerlendirirken, çalışma döngüsü içerisinde örneğin aletin kapalı olduğu ve aktif durumda olmasının yanı sıra boşta çalıştığı zamanlar gibi, bütün zaman dilimleri dahil olmak üzere mevcut kullanım durumu ve aletin kullanım şekli göz önünde bulundurularak değerlendirilmelidir.

Alet üzerindeki etiketler



Uyarı! Yaralanma riskini en aza indirmek için kullanıcı kullanım talimatlarını mutlaka okumalıdır.

Elektrik güvenliği



Bu alet çift yalıtımlıdır. Bu yüzden hiçbir topraklama kablosuna gerek yoktur. Her zaman şebeke geriliminin aletin üretim etiketinde belirlenmiş değerlere uyup uymadığını kontrol edin.

- ◆ Bu alet genç veya kuvvetsiz kişilerin gözetimsiz kullanmaları için tasarlanmamıştır. Çocuklar, aletle oynamalarının önlemek amacıyla kontrol altında tutulmalıdır.

- ◆ Elektrik kablosu hasarlı ise, bir tehlike oluşmasını önlemek için üretici ya da yetkili Black & Decker Servis Merkezi tarafından değiştirilmelidir.

Şarj edilemeyen piller için ek güvenlik talimatları

- ◆ Kesinlikle, hiçbir nedenle açmaya çalışmayın.
- ◆ Sıcaklığın 40 °C'yi aşabileceği yerlerde saklamayın.
- ◆ Pilleri atarken, «Çevrenin korunması» başlıklı bölümdeki talimatlara uyun.

Pilleri ateşe atmayın.

- ◆ Zorlayıcı koşullarda pil akabilir. Pilin yüzeyinde ıslak yerler gördüğünüzde aşağıda belirtilenleri yapın:
 - Sıvıyı bir bez kullanarak dikkatli bir şekilde silin. Ciltle temasından kaçınınız.

Lazerler için ek güvenlik talimatları



Bu kılavuzu dikkatlice okuyun.



Bu ürün, 16 yaşından küçük çocuklar tarafından kullanılmamalıdır.



Lazer ışınımı.



Lazer ışınının içine bakmayın.



Lazer ışınını görmek için optik aletler kullanmayın.

- ◆ Bu lazer, EN60825-1:2007 uyarınca 2. sınıfa uygundur. Lazer diyodunu başka tipte bir diyotla değiştirmeyin. Lazerin hasar görmesi halinde, lazerin onarımını yetkili bir servise yaptırın.
- ◆ Lazeri, lazer çizgileri yansıtmak dışında bir amaç için kullanmayın.
- ◆ Gözün, sınıf 2 lazer huzmesine maruz kalması maksimum 0,25 saniye süreyle güvenli kabul edilmektedir. Göz kapağı refleksleri normalde yeterli korunma sağlayacaktır. 1 m'nin üzerindeki mesafelerde, lazer, sınıf 1'le uyumlu hale gelir ve tümüyle güvenli kabul edilir.
- ◆ Kesinlikle doğrudan ve bilinçli olarak lazer ışınına bakmayın.
- ◆ Lazer ışınını görmek için optik aletler kullanmayın.
- ◆ Aleti, lazer ışınının herhangi bir kişinin baş hizasından geçebileceği bir konumda kurmayın.
- ◆ Çocukların lazere yaklaşmasına izin vermeyin.

ÖZELLİKLER

1. Kesintisiz çalıştırma düğmesi
2. Açma/kapama düğmesi
3. Testere bıçağı saklama bölmesinin kapağı
4. Testere tabanı kilitleme kolu
5. Toz atma çıkışı
6. Toz atma adaptörü
7. Testere tabanı
8. Auto Select™ kadran
9. Testere bıçağı destek silindiri
10. Anahtarsız bıçak değiştirme mandalı

İlave özellikler (Şekil A)

Satın aldığınız ürüne bağlı olarak ilave özellikler mevcut olabilir. Satın alınmak üzere katalog numarası mevcut olan ilave şekil A'da gösterilmektedir.

Montaj

Uyarı! Aşağıdaki işlemlerden herhangi birini gerçekleştirmeden önce, aletin kapalı ve fişinin çekili olduğundan ve testere bıçağının durduğundan emin olun. Kullanılmış testere bıçakları sıcak olabilir.

Testere bıçağının takılması (Şekil B)

- ◆ Testere bıçağını (11) gösterildiği gibi dışleri dışarı bakacak şekilde tutun.
- ◆ Anahtarsız bıçak değiştirme mandalına (10) bastırın.
- ◆ Testere bıçağının sap kısmını bıçak yuvasına (12) gittiği kadar sokun.
- ◆ Anahtarsız bıçak değiştirme mandalını (10) bırakın.

Testere bıçağının saklanması (Şekil C)

Testere bıçakları (11) aletin yan kısmındaki saklama bölmesinde saklanabilir.

- ◆ Kapağın (3) üstündeki tırnağı tutup dışarı çekerek testere bıçağı saklama bölmesinin kapağını (3) açın.
- ◆ Bıçaklar bölmede manyetik bir şeritle tutulur. Bir bıçağı çıkartmak için, bıçağın bir ucunu aşağıya doğru bastırarak bıçağı yukarı kaldırın ve çıkartın.
- ◆ Testere bıçağı saklama bölmesinin kapağını (3) kapatın ve mandalının kapandığından emin olun.

Uyarı! Testereyi çalıştırmadan önce bölmenin kapağını tam olarak kapatın.

Alete bir elektrikli süpürge bağlanması (Şekil D)

Alete elektrikli süpürge veya toz tahliye cihazı bağlamak için bir adaptör gereklidir. Bu toz atma adaptörünü (6), bölgenizdeki Black & Decker bayiinden edinebilirsiniz.

- ◆ Adaptörü (6) toz atma çıkışının (5) içine itin.
- ◆ Elektrikli süpürgenin hortumunu adaptöre (6) bağlayın.

Diğer tehlikeler

Aletin kullanımıyla ilgili ekte sunulan güvenlik uyarılarına dahil olmayan ilave kalıcı riskler ortaya çıkabilir. Bu riskler, hatalı, uzun süreli kullanım vb. dolayısıyla ortaya çıkabilir.

Emniyet tedbirlerini düzenleyen yönetmeliğin uygulanmasına ve emniyet sağlayıcı aygıtların kullanılmasına rağmen, başka belirli risklerden kaçınılamaz. Bunlar:

- ◆ Aletin dönen ve hareket eden parçalarına dokunma sonucu ortaya çıkan yaralanmalar.
- ◆ Herhangi bir parçayı, bıçak veya aksesuarı değiştirirken ortaya çıkan yaralanmalar.
- ◆ Aletin uzun süreli kullanılması sonucu ortaya çıkan yaralanmalar. Herhangi bir aleti uzun sürelerle kullanacaksanız düzenli olarak çalışmanıza ara verin.
- ◆ Duyma bozukluğu.
- ◆ Aleti kullanırken ortaya çıkan tozun solunması sonucu ortaya çıkan sağlık sorunları (örnek: ahşapta çalışırken, özellikle meşe, akgürgen ve MDF).

Kullanımı**Açılı kesimler için testere tabanının ayarlanması (Şekil E ve F)**

Uyarı! Aleti, taban levhası gevşek veya çıkartılmışken kesinlikle kullanmayın.

Testere tabanı (7) 45°'ye kadar sol veya sağa eğimli açılara ayarlanabilir.

- ◆ Testere tabanını (7) 0 derece konumundan açmak için testere tabanı kilitleme kolunu (4) çekin (Şekil E).
- ◆ Testere tabanını (7) ileriye doğru çekin ve gereken seviye açısı penceresinde belirtildiği şekilde 15°, 30° ve 45° olarak ayarlayın.
- ◆ Testere tabanını (7) kilitlemek için testere tabanı kilitleme kolunu (4) yeniden testereye doğru ittirin.

Testere tabanını (7) düz kesimlere göre sıfırlamak için:

- ◆ Testere tabanının (7) kilidini açmak için, testere tabanı kilitleme kolunu (4) çekin.
- ◆ Testere tabanını (7) 0° derecelik bir açığa ayarlayın ve testere tabanını geriye ittirin.
- ◆ Testere tabanını (7) kilitlemek için testere tabanı kilitleme kolunu (4) yeniden testereye doğru ittirin.

Auto Select™ kadranı nasıl kullanılır (Şekil G)

Çeşitli kesme uygulamalarında bıçağın hız ve pandül hareketi ayarlaması için bu alette benzersiz bir Auto Select™ Kadran (8) bulunmaktadır. Kesilen malzeme ve bıçak için en iyi hız ve pandül hareketi ayarı açısından kadranı (8) aşağıdaki tabloda gösterildiği şekilde çevirin:

	Simge	Uygulama	Hız/Pandül hareketi	Bıçak tipi
		Mutfak tezgah yüzeyleri, tablalar, lamine tezgahlar	Hızlı devir, Pandül hareketi yok	Genel ahşap
		Kıvrımlı kesme/ eğimli kesme/ ince işlemler, sert ahşaplar, kenar döşemesi, zemin döşemesi	Hızlı devir, Pandül hareketi yok	Kıvrımlı ahşap Genel ahşap
		Kontrplak ve ahşap paneller	Hızlı devir, orta düzeyli pandül hareketi	Genel ahşap
		Genel kereste, yumuşak ahşap, hızlı oluklu kesme	Hızlı devir, maks. pandül hareketi	Genel ahşap
		Plastik, Perspeks, PVC	Orta düzeyli devir, orta düzeyli pandül hareketi	Genel amaçlı
		Sac plakası, seramik fayans, fiberglas plakası	Düşük devir, Pandül hareketi yok	Metal veya seramik veya fibreglass bıçak
		Düşük devir, hassas çalıştırma	Düşük devir, Pandül hareketi yok	Uygulama için doğru bıçağı seçin

Açılması ve kapatılması

- ◆ Aleti açmak için, açma/kapama düğmesine (2) basın.
- ◆ Aleti kapatmak için açma/kapama düğmesini (2) bırakın.
- ◆ Sürekli çalışması için kesintisiz çalıştırma düğmesine (1) basın ve değişken hızlı açma/kapama düğmesini bırakın.
- ◆ Kesintisiz çalışma konumundayken aleti kapatmak için değişken hızlı açma/kapama düğmesine (2) basın ve bırakın.

Kesme

Kesim sırasında aleti iki elinizle sıkıca tutun. Taban (7), kesilen malzemeye sıkıca dayanmalıdır.

Bu, testerenin sıçramasını önleyecek, titreşimi azaltacak ve bıçağın kırılma olasılığını en aza indirecektir.

- ◆ Kesme işlemine başlamadan önce bıçağın birkaç saniye boşta dönmesine izin verin.
- ◆ Kesme işlemi sırasında alete yalnızca hafif baskı uygulayın.

Lazerin çalıştırılması (Şekil H - K) (sadece 'L' birimleri)

Pillerin takılması (Şekil H)

Vidayı (13) çıkarıp lazer modülünü (14) öne doğru çekerek, dekupaj testerensinden ayırın. İki adet yeni 1,5 Volt AAA alkali pilini, (+) ve (-) terminallerinin doğru eşleştiğinden emin olarak takın. Lazer modülünü yeniden takın (14).

Lazerin bir yandan diğerine ayarlanması (Şekil I)

Not: Lazer kesime yardımcı olmak amacıyla üretilmiştir ve hassas bir kesimi garanti etmez.

Uyarı! Lazeri, dekupaj testeresi fişi takılıyken ayarlamaya çalışmayın.

- ◆ Lazer çizgisini testere bıçağı ile hizalamak için gerekirse lazer ayarlama vidasını (15) kullanın.

Lazer görünürlüğü (gücü), testerenin aşırı ısınması halinde düşecektir. Testerenin uzun bir süre boyunca aşırı ısıtılması halinde lazer görünür olmayabilir. Lazer görünürlüğü, alet soğutulduğunda, fişi takılı olmasa dahi aşamalı olarak normale dönecektir.

Uyarı! Aşırı ısınmış lazer anahtarını açık bırakmayın. Anahtarın KAPALI konumunda olduğundan emin olun ve lazere güç gidişini kesmek için pilleri çıkarın.

Lazerin kullanılması (Şekil J ve K)

Lazer, kesim hattını (18) iş parçasının yüzeyine yansıtır.

- ◆ Lazeri açmak için, düğmeye(16) basın.
- ◆ Lazeri kapatmak için düğmeye tekrar (16) basın.

Dekupaj testeresinin tam üzerinden bakarak kesim hattı (17) kolayca izlenebilir. Görüşün herhangi bir nedenden ötürü kısıtlanması halinde, lazer alternatif kesim kılavuzu olarak kullanılabilir.

- ◆ Bir kurşun kalemle kesim hattını (17) çizin.
- ◆ Dekupaj testeresini hattın (17) üzerine yerleştirin.
- ◆ Lazeri açın.

Çalışma lambasının çalıştırılması (Şekil L ve M) (sadece 'W' birimleri)

Katalog numarasında bir 'W' harfi bulunan birimlerde bıçağın etrafındaki bölgeyi aydınlatmak için bir LED lamba (19) bulunmaktadır.

- ◆ Çalışma lambasını açmak için, anahtarı (20) açma konumuna (I) getirin.
- ◆ Çalışma lambasını kapatmak için, anahtarı (20) kapatma konumuna (0) getirin.

Yararlı tavsiyeler

Laminatların kesilmesi

Lamine yüzeyleri keserken, malzemenin görünen yüzünden hasara yol açabilecek parçalanmalar meydana gelebilir. Testere bıçaklarının çoğu yukarı doğru dönerek kestiği için, testere tabanının malzemenin görünen yüzeyine yerleştirilerek kesim yapıldığı hallerde ya aşağı yönde kesen bir testere bıçağı kullanın ya da:

- ◆ Hassas kesim bıçağı kullanın.
- ◆ Üzerinde çalıştığınız parçanın arka yüzünden kesin.
- ◆ Kıymıksız, temiz kesimler elde etmek için kesilen malzemenin her iki yüzeyine de bir parça kontrplak veya sert tahta parçaları yerleştirin ve kesim işlemini bu şekilde yapın.

Metal kesme

Metal kesiminin ahşap kesiminden çok daha fazla zaman aldığını unutmayın.

- ◆ Metal kesmeye uygun bir testere bıçağı kullanın.
- ◆ Sacı keserken üzerinde çalıştığınız parçanın her iki yüzüne bir parça takoz sıkıştırın ve oluşan bloğun içinden kesin.
- ◆ Öngördüğünüz kesim hattı boyunca bir kat yağ sürün.

Bakım

Black & Decker aletiniz minimum bakımla uzun bir süre çalışacak şekilde tasarlanmıştır. Kesintisiz olarak memnuniyet verici bir şekilde çalışması gerekli özenin gösterilmesine ve düzenli temizliğe bağlıdır.

- ◆ Aletinizdeki havalandırma deliklerini yumuşak bir fırça veya kuru bir bezle düzenli olarak temizleyin.
- ◆ Motor muhafazasını düzenli olarak nemli bir bezle silin. Aşındırıcı veya çözücü bazlı temizleyiciler kullanmayın. Aletin içine sıvı kaçmasına kesinlikle izin vermeyin ve aletin hiçbir parçasını kesinlikle sıvıya batırmayın.

Çevrenin korunması



Ayrı olarak atın. Bu ürün, normal evsel atıklarla birlikte atılmamalıdır.

Black & Decker ürününüzün değiştirilmesi gerektiğini düşünmeniz veya artık kullanılamaz durumda olması halinde onu, evsel atıklarla birlikte atmayın. Bu ürünü, ayrı olarak toplanacak şekilde atın.



Kullanılmış ürünlerin ve ambalajların ayrı olarak toplanması bu maddelerin geri dönüşüme sokularak yeniden kullanılmasına olanak tanır. Geri dönüşümlü maddelerin tekrar kullanılması çevre kirliliğinin önlenmesine yardımcı olur ve ham madde ihtiyacını azaltır.

Yerel yönetmelikler, elektrikli ürünlerin evlerden toplanıp belediye atık tesislerine aktarılması

veya yeni bir ürün satın alırken perakende satıcı tarafından toplanması yönünde hükümler içerebilir.

Black & Decker, hizmet ömrünün sonuna ulaşan Black & Decker ürünlerinin toplanması ve geri dönüşüme sokulması için bir imkan sunmaktadır. Bu hizmetin avantajlarından faydalanmak için, lütfen, ürününüzü bizim adımıza teslim alacak herhangi bir yetkili servise iade edin.

Bu kılavuzda belirtilen listeden size en yakın yetkili tamir servisinin yerini öğrenebilirsiniz. Ya da, alternatif olarak internet'ten Black & Decker yetkili tamir servislerinin listesini ve satış sonrası hizmetlerimizle ilgili tüm bilgiler ve temas bilgilerine aşağıdaki siteden ulaşabilirsiniz.

www.2helpU.com

Piller



Hizmet ömürlerinin sonunda, pilleri çevremize gerekli özeni göstererek atın:

- ◆ Pil terminallerini kısa devre yapmayın.
- ◆ Pil (pilleri) ateşe atmayın, kişisel yaralanma ya da patlama riskine neden olabilir.
- ◆ Pilleri bitene kadar aleti çalıştırın, sonra aletten çıkartın.
- ◆ Piller geri dönüşümlüdür. Pil (pilleri) kutupların kısa devre yapmayacağı şekilde uygun bir ambalaja koyun. Pilleri yerel toplama merkezine teslim edin.

Teknik özellikleri

		KS900S TYPE 1	KS900SL TYPE 1	KS950S TYPE 1
Voltaj	V _{AC}	230	230	230
Nominal giriş	W	620	620	650
Yüksüz hızı	dev/dak.	800-3200	800-3200	800-3200
Maks. kesme derinliği				
Ahşap	mm	85	85	85
Çelik	mm	5	5	5
Alüminyum	mm	15	15	15
Ağırlık	kg	2,65	2,65	2,65
(lazer ile)	kg	2,95	2,95	2,95

EN 60745'e göre ses basıncı düzeyi:

L_{PA} (ses basıncı) 87 dB(A), belirsizlik (K) 3 dB(A),
L_{WA} (akustik güç) 98 dB(A), belirsizlik (K) 3 dB(A)

EN 60745'e göre tespit edilen toplam titreşim değerleri (üç yönün vektör toplamı):

Ahşap kesme (a_{h,CW}) 8,5 m/s², belirsizlik (K) 1,5 m/s², Sac metal kesme (a_{h,CM}) 7,3 m/s², belirsizlik (K) 1,5 m/s²

AT Uygunluk Beyanati

MAKİNE DİREKTİFİ



KS900S, KS900SL, KS950SL

Black & Decker, «teknik özellikleri» bölümünde açıklanan bu ürünlerin aşağıda belirtilen yönergelere uygun olduğunu beyan eder: 2006/42/EC, EN60745-1, EN60745-2-11

Daha fazla bilgi için, lütfen aşağıdaki adresten Black & Decker ile irtibata geçin veya kılavuzun arkasına bakın.

Bu belge altında imzası bulunan yetkili, teknik dosyanın derlenmesinden sorumludur ve bu beyanı Black & Decker adına vermiştir.

Kevin Hewitt
Başkan Yardımcısı,
Global Mühendislik
Black & Decker Europe,
210 Bath Road, Slough,
Berkshire, SL1 3YD
İngiltere
07-07-2010

Garanti

Black & Decker, ürünün kalitesinden emindir ve bu yüzden kanunlarda belirtilen taleplerin üstünde bir garanti verir. Ayrıca bu garanti hiçbir şekilde garanti ile ilgili kanuni haklarınızı ihlal etmez ve haklarınızı hiç bir şekilde kısıtlamaz. İşbu garanti Avrupa Birliği'ne üye ülkeler ile Avrupa Serbest Ticaret Bölgesi sınırları dahilinde geçerlidir.

Eğer bir Black & Decker ürünü, satın alma tarihinden itibaren 24 ay içinde hatalı malzeme, işçilik ya da uygunsuzluk nedeniyle bozulursa, müşteriye mümkün olabilecek en az sorunu yaşatarak Black & Decker hatalı kısımları değiştirmeyi, adil bir şekilde aşınmış ve yıpranmış ürünleri tamir etmeyi veya değiştirmeyi garanti eder. Ancak bu belirtilenler şu durumlar dışında geçerlidir:

- ◆ Ürün ticari veya profesyonel amaçlarla kullanılmışsa veya kiraya verilmişse;
- ◆ Ürün yanlış veya amaç dışı kullanılmışsa;
- ◆ Ürün yabancı nesnelere, maddelere veya kaza sırasında zarar görmüşse;
- ◆ Yetkili tamir servisleri veya Black & Decker servis ekibinden başkası tarafından tamir edilmeye çalışılmışsa.

Garanti talebinde bulunmak için, satıcıya veya yetkili tamir servisine satın aldığınıza dair ispat sunmalısınız. Fatura ve garanti kartı gerekmektedir. Bu kılavuzda belirtilen listeden size en yakın yetkili tamir servisinin yerini öğrenebilirsiniz. Ya da, alternatif olarak internet'ten Black & Decker yetkili tamir servislerinin listesini ve satış sonrası hizmetlerimizle ilgili tüm bilgiler ve temas bilgilerine aşağıdaki siteden ulaşabilirsiniz.
www.2helpU.com

Sanayi ve Ticaret Bakanlığı tebliğince kullanım ömrü 10 yıldır.

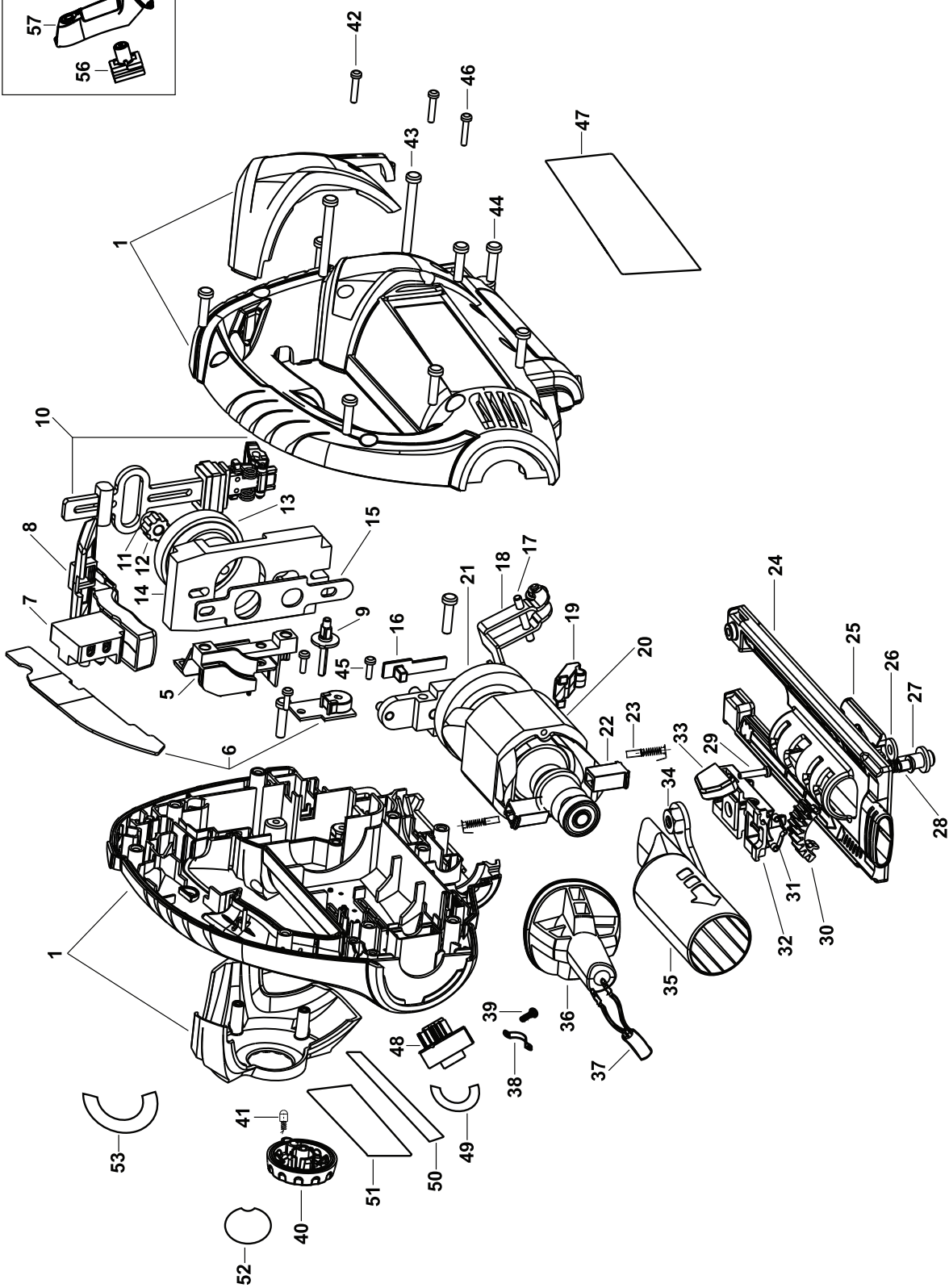
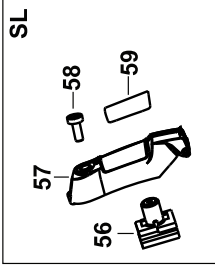
Türkiye Distribütörü

KALE HIRDAVAT VE MAKİNA A.Ş.
Defterdar Mah. Savaklar Cad. No. 15
34050 Edirnekapı Eyüp İstanbul

No.	İl	Yetkili Servis	Adres	Telefon
1	Adana	Emin Elektrik	Kızılay Cad. 6.Sok. No.9/D	0322 351 80 46
2	Amasya	Teknik Bobinaj	Beyazıt Paşa Mah. Mehmet Vorinli Cad. No.20/B	0358 218 26 82
3	Ankara	Orhan Bobinaj	Yalınç Sok. No.17 Siteler	0312 350 95 29
4	Ankara	Yiğit Bobinaj	Merkez 668.Sok. Eminel Yapı Koop. No.8 İvedik Ostim	0312 395 05 37
5	Antalya	E.B.A. Elektrik	Sanayi Sitesi 682.Sok. No.38	0242 345 36 22
6	Antalya - Alanya	Abaloğlu Bobinaj	Sanayi Sitesi Yeni Yol Girişi No.8	0242 512 02 16
7	Aydın	Taciroğlu Bobinaj	2.Sanayi Sitesi 3.Sok. No.55	0256 219 43 30
8	Aydın - Kuşadası	Özgür Bobinaj	Kuşadası Sanayi Sitesi J.Blok No.13	0256 622 13 73
9	Balıkesir	Tezger Bobinaj	Küçük Sanayi Bölgesi Dökmeciler Sok. No.15	0266 241 63 85
10	Balıkesir - Bandırma	Küre Bobinaj	Atatürk Cad. No.104 Bandırma	0266 718 46 79
11	Balıkesir - Edremit	Özkan Bobinaj	Cennet Ayağı Mah. Demirbaş Sitesi A4-B1. No.2/B	0266 374 20 29
12	Bursa	Vokart	Gazlılar Cad. Erikli Bahçe Sok. No.6/B	0224 254 48 75
13	Çanakkale	Kısacık Bobinaj	Namık Kemal Mah. Kaynak Sok. No.41	0286 217 96 71
14	Çorum	Emek Bobinaj	Küçük Sanayi Sitesi 23.Cad. No.5/C Cami yanı	0364 234 68 84
15	Denizli	Örsler Bobinaj	Bakırlı Mah. 171.Sok. Sedef Çarşısı No.9-10	0258 261 42 74
16	Diyarbakır	Çetsan Elektrik	İnönü Cad. Ziya Gökalp Sok. No.45	0412 237 29 04
17	Düzce	Yıldız Makine	Burhaniye Mah. Gen. Kazım Sok. No.10	0380 514 70 56
18	Edirne	Efe Bobinaj	Sanayi Sitesi 22.Blok No.5	0284 225 35 73
19	Erzincan	Ümit Elektrik Makine	Sanayi Çarşısı 767.Sok. No.71	0446 224 08 01
20	Eskişehir	Meriç Bobinaj	Akçağlan Mah. Meriç Sok. No.4/A	0222 230 94 44
21	Gaziantep	Karashaşin Bobinaj	Şenyurt Cad. No.35 Şahinbey	0342 231 17 33
22	Isparta	Işık Bobinaj	Piri Mehmet Mah. 107.Cad. No.5	0246 223 20 28
23	İçel - Mersin	Şekerler Elektrik Bobinaj	Nusratiye Mah. 5005.Sok. No.20/A	0324 336 70 98
24	İçel - Mersin	Üniversal Bobinaj	Nusratiye Mah. Çiftçiler Cad. 68.Sok. No.19	0324 233 44 29
25	İstanbul	AKEL Elektrik Servis Hiz.	Yukarı Dudullu Nato Yolu Cad. No.109B Ümraniye	0216 540 53 54
26	İstanbul	Fırat Dış Ticaret	Tersane Cad. Kut Han No.38 K.3 D.307-308 Karaköy	0212 252 93 43
27	İstanbul	Birlik Elektromekanik	Perpa Tic. Merkezi B.Blok Mavi Avlu Kat.4 No.318 Okmeydanı	0212 222 94 18
28	İstanbul	Kardeşler Bobinaj	Çağlayan Mah. Sinanpaşa Cad. No.5 Çağlayan	0212 224 97 54
29	İstanbul	Mert Elektrik Ltd.	İkitelli Org. Sanayi Demirciler Sitesi D2.Blok No.280 İkitelli	0212 549 65 78
30	İstanbul	SVS Teknik	İstasyon Cad. GİBTAŞ Sanayi Sitesi No.24 Kat 2 İçmeler Tuzla	0216 446 69 39
31	İstanbul	Tanık Makina Ltd.	Bağdat Cad. Adalı Sok. No.101/10 Maltepe	0216 370 21 11
32	İstanbul	Tekniker Bobinaj	Birlik Sanayi Sitesi 7.Cad. No.2 Beylikdüzü	0212 875 19 31
33	İzmir	Birlik Bobinaj	2824 Sok. No.18 Halkapınar 1.Sanayi Sitesi	0232 458 39 42
34	İzmir	Boro Cıvata	1203/2.Sok. No.B2 Gıda Çarşısı Yenişehir	0232 469 80 70
35	İzmir	Doruk Hırdavat	1426.Sok. No.14 Hurdacılar Sitesi Doğanlar Bornova	0232 478 14 12
36	Kayseri	Akın Elektrik	Eski Sanayi Bölgesi 5.Cad. No.8	0352 336 41 23
37	Kocaeli - Gebze	Gülsoy Elektrik	Menzilhanne Cad. 1111.Sok. No.7	0262 646 92 49
38	Kocaeli - İzmit	Efe Elektrik Bobinaj	Körfez Küçük Sanayi Sitesi 12.Blok No.13	0262 335 18 94
39	Konya	Murat Bobinaj	Karatay Sanayi Çiçekli Sok. No.83	0332 235 64 63
40	Konya	Sözenler Bobinaj	Fevzi Çakmak Mah. Komsan İş Mer. 10562 Sok. No.62	0332 342 63 18
41	Kütahya	Doğan Bobinaj	Yeni Sanayi Sitesi 19.Sok. No.28/1	0274 231 22 00
42	Malatya	Özer Bobinaj	Yeni Sanayi Sitesi 2.Cad. No.95	0422 336 39 53
43	Muğla - Bodrum	Bodrum Makine	Türkkuyusu Mah. Etem Demiröz Sok. Sanayi Sitesi 12	0252 316 28 51
44	Muğla - Marmaris	Başaran Teknik	Beldibi Cad. No.5/C	0252 412 85 11
45	Nevşehir	Çiftgüç Elektrik	Yeni Sanayi Sitesi 8.Blok No.53	0384 213 19 96
46	Sakarya - Adapazarı	Engin El. Bobinaj	Papuççular Mah. Papuççular Cad. No.40	0264 273 87 69
47	Samsun	Akış Bobinaj	Sanayi Sitesi Ulus Cad. No.31B	0362 238 07 23
48	Sivas	Bayraktar Elektrik	Yeni Çarşı No.72C	0346 221 47 55
49	Tekirdağ - Çorlu	Ümit Elektrik	Camiatik Mah. Ereğli Sok. No.1	0282 653 27 77
50	Tokat	Çetin Elektrik	Sanayi Sitesi No.22 Cami Altı	0356 214 63 07
51	Trabzon	Makina Market	Rize Cad. No.71 Değirmendere	0462 328 14 80
52	Uşak	Zengin Bobinaj	İslicce Mah. Ürem Sok. No.10/C	0276 227 27 46
53	Yalova	Kale İnşaat	Merkez Mah. Devlet Yolu Cad. No.70 Paytazdere Yalova	0226 461 22 42
54	Zonguldak - KDZ Ereğli	Tümen Bobinaj	Kışla Sanayi Sitesi D.Blok No.17	0372 323 74 97

KS900S - KS900SL - KS950SL

TYP.
1



©

