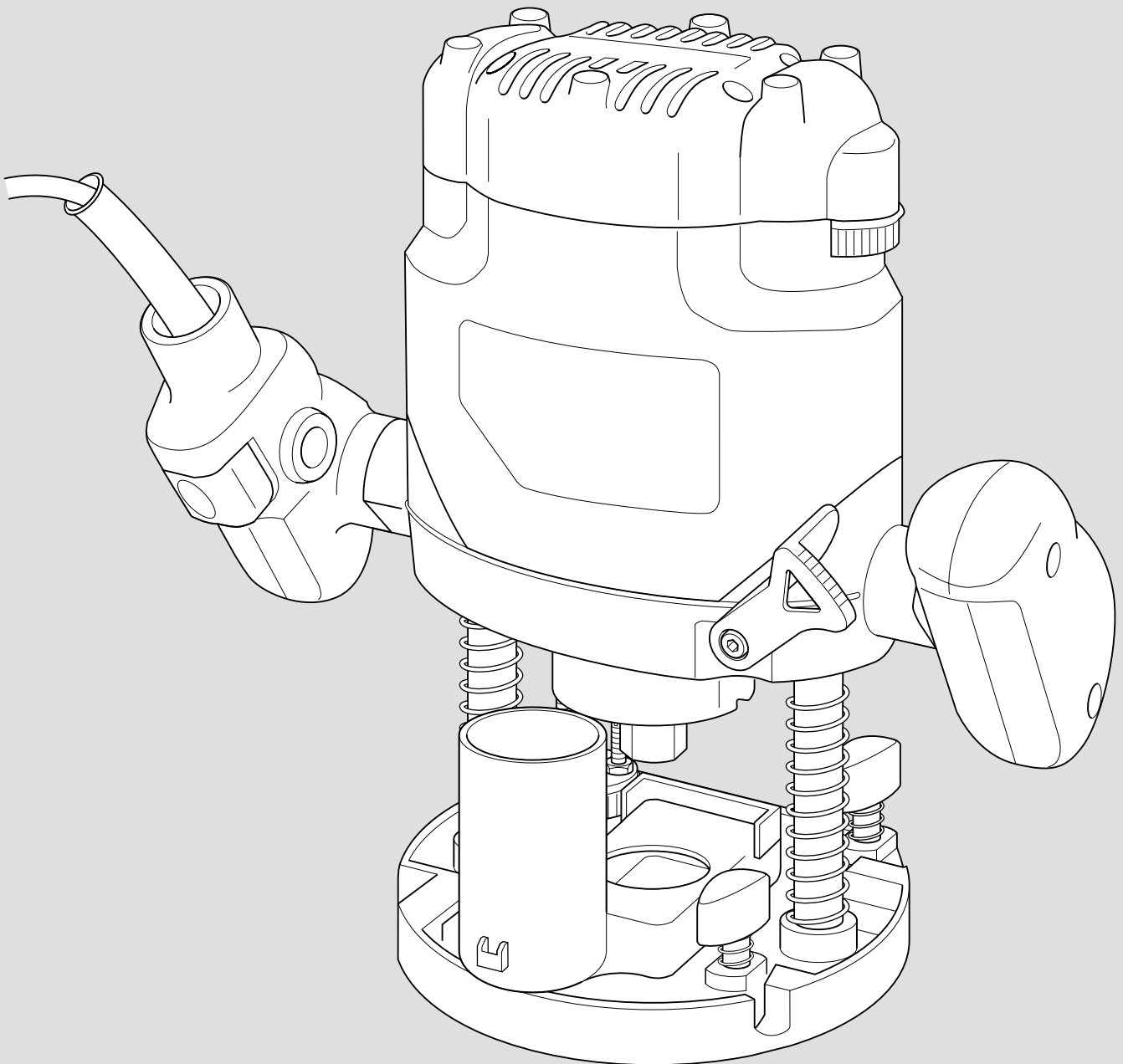
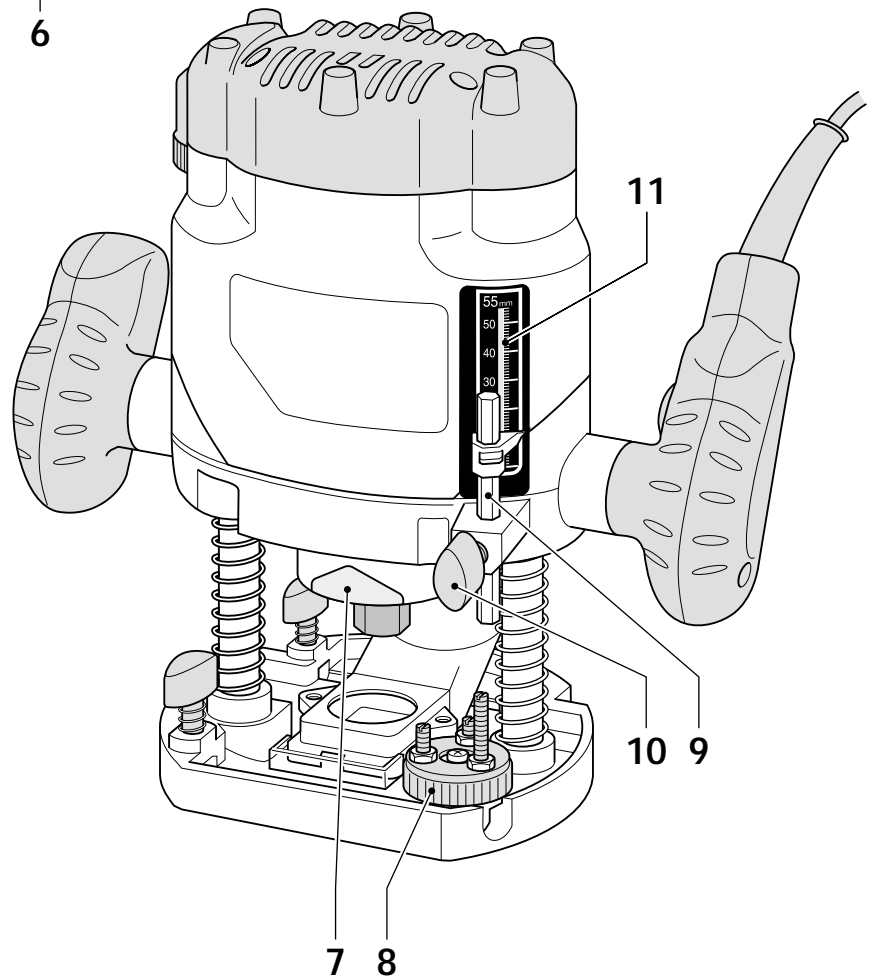
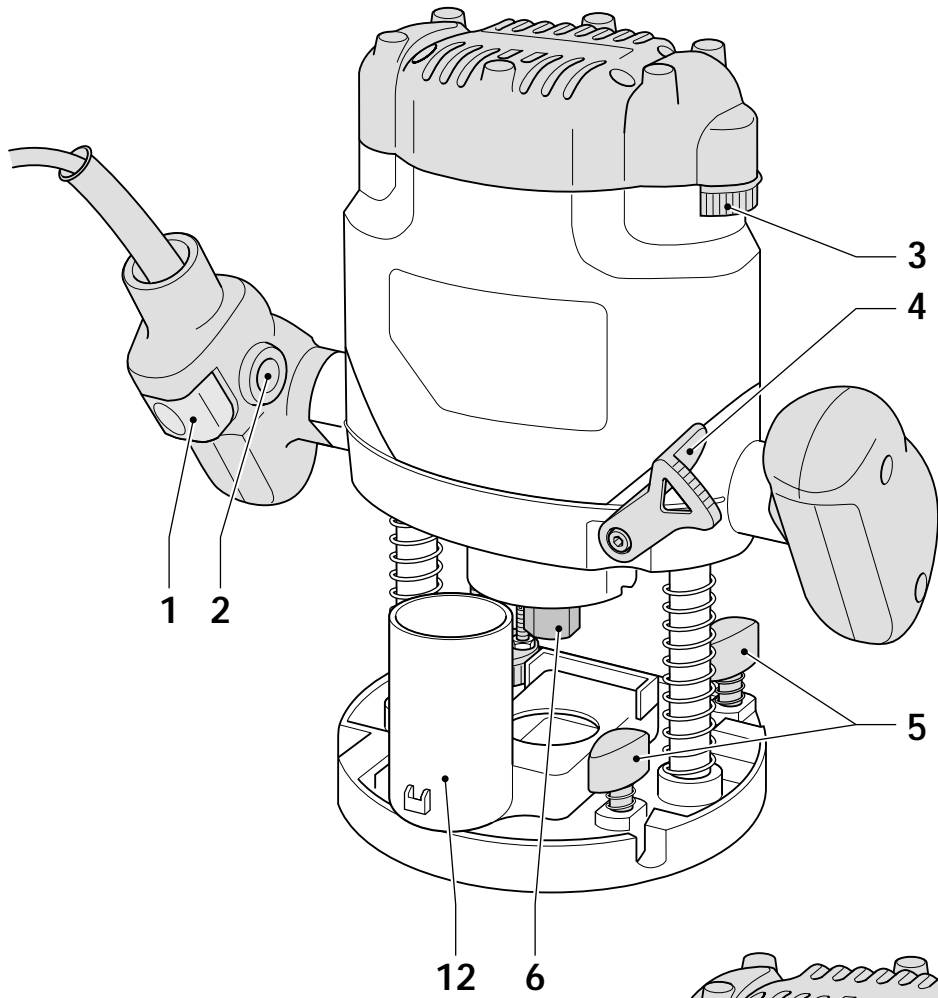


 **BLACK &  
DECKER®**

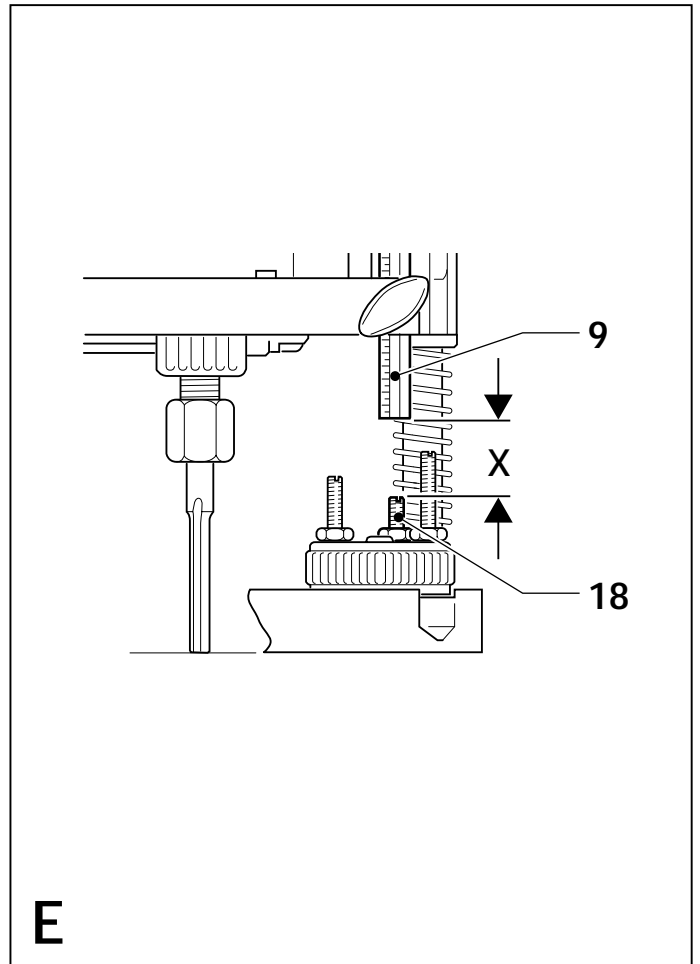
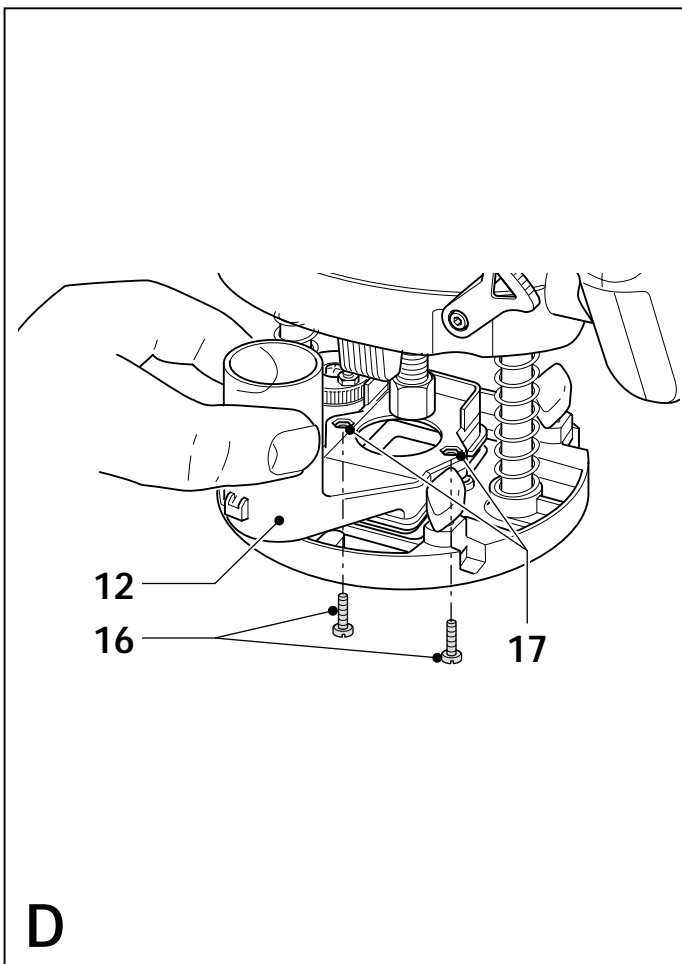
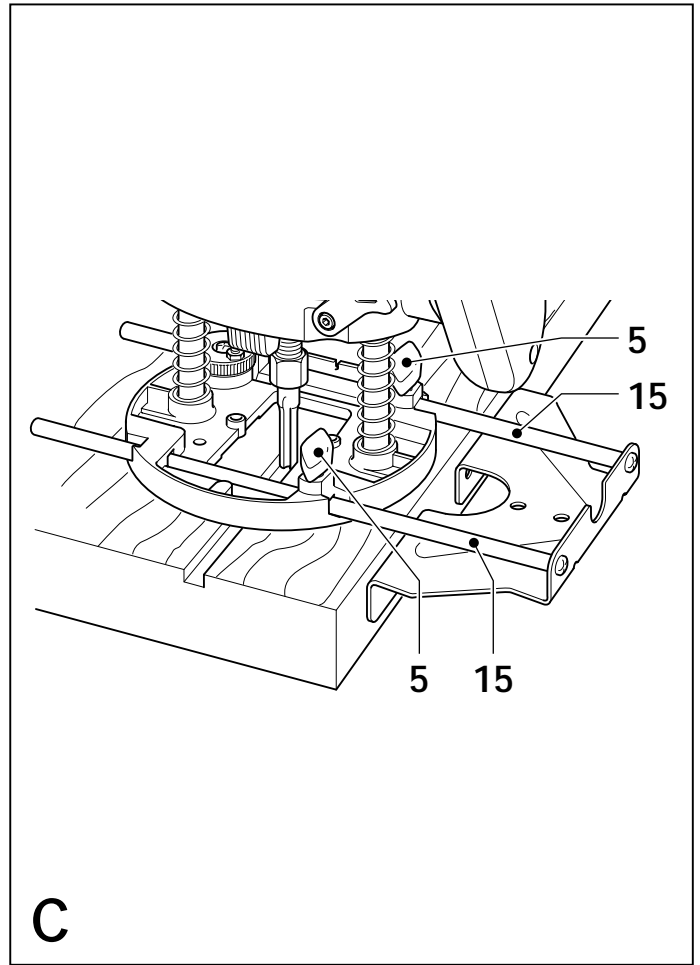
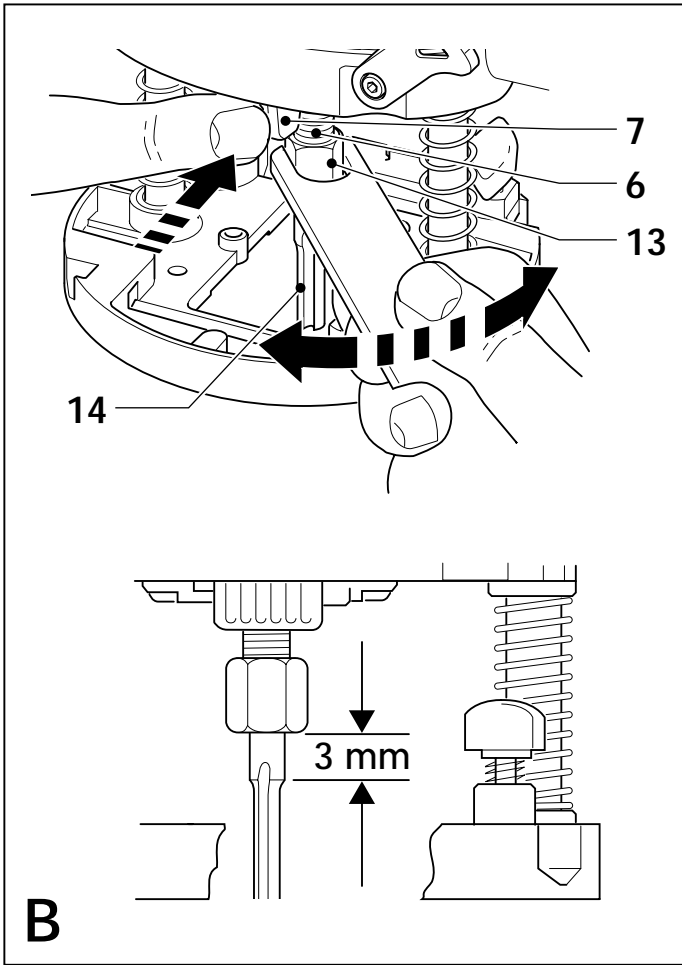


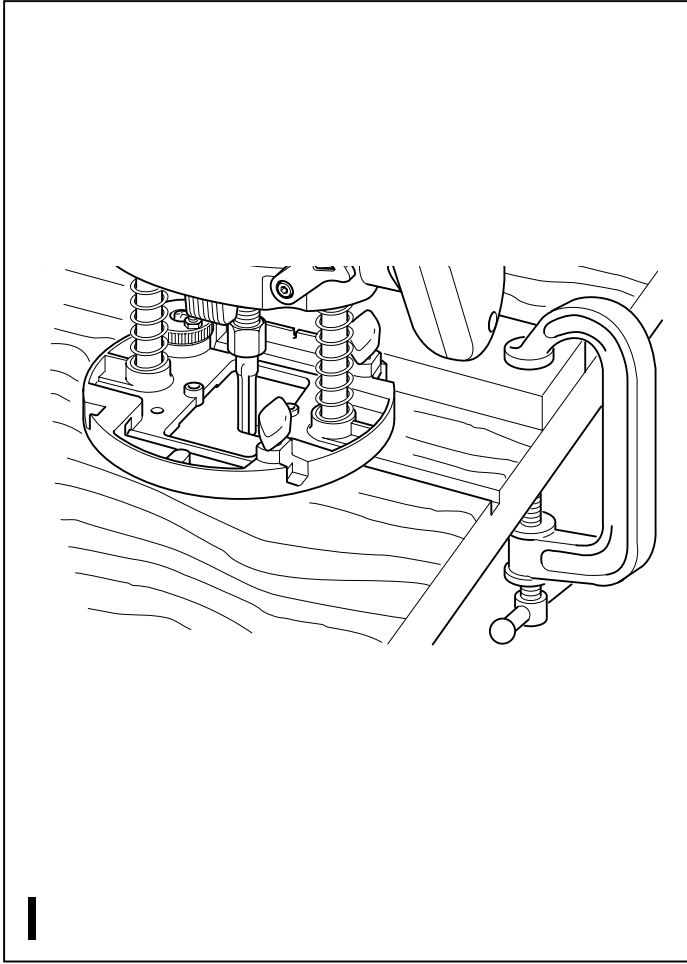
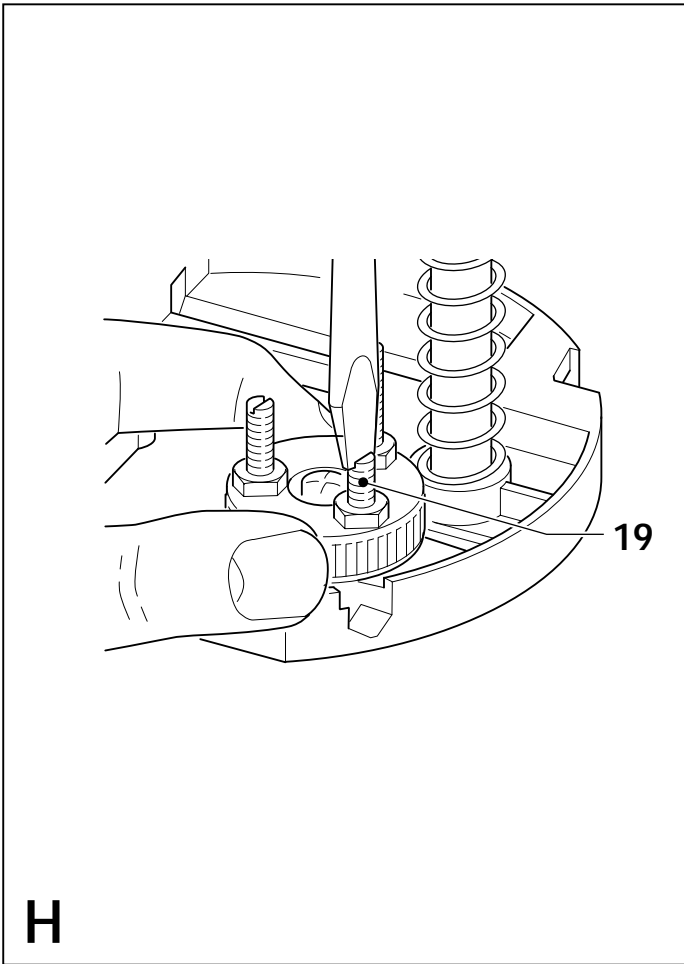
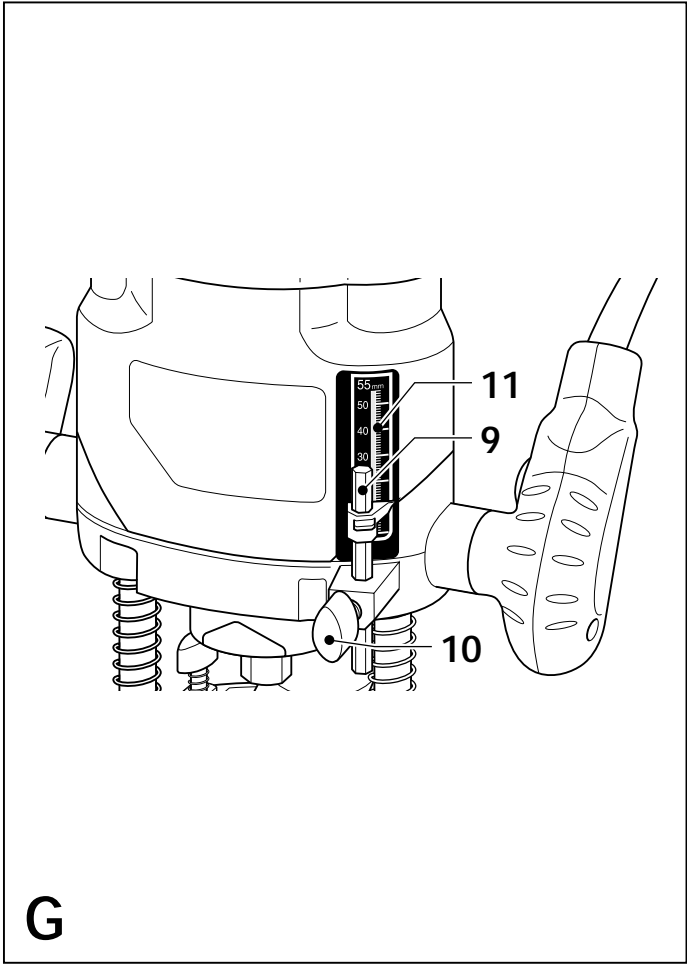
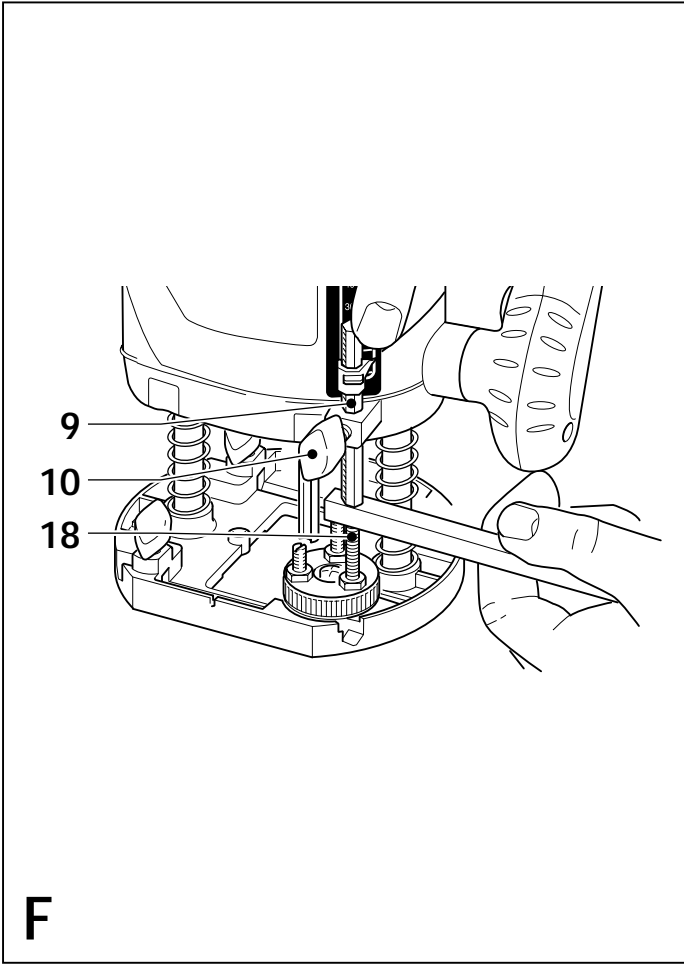
**KW850E**

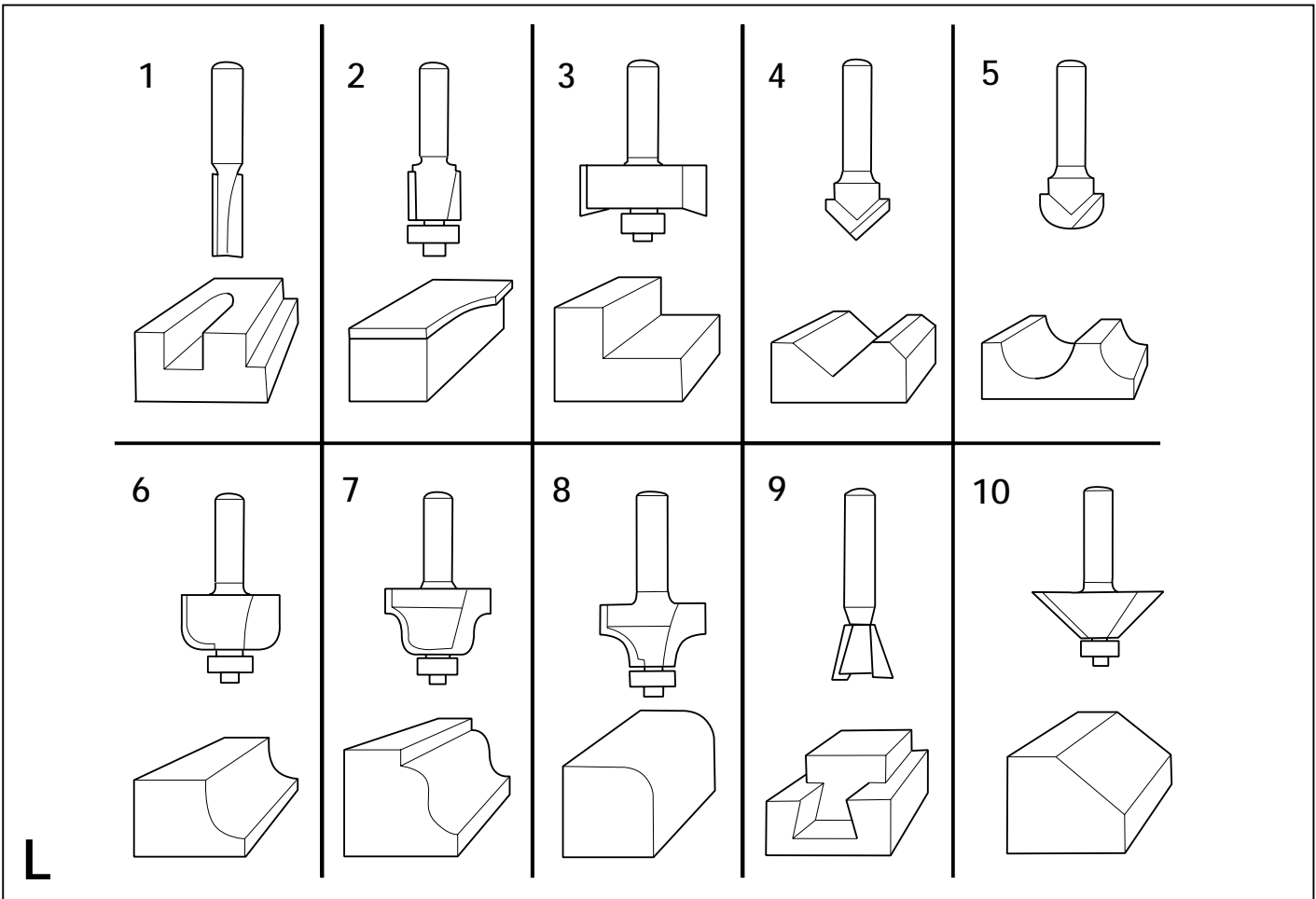
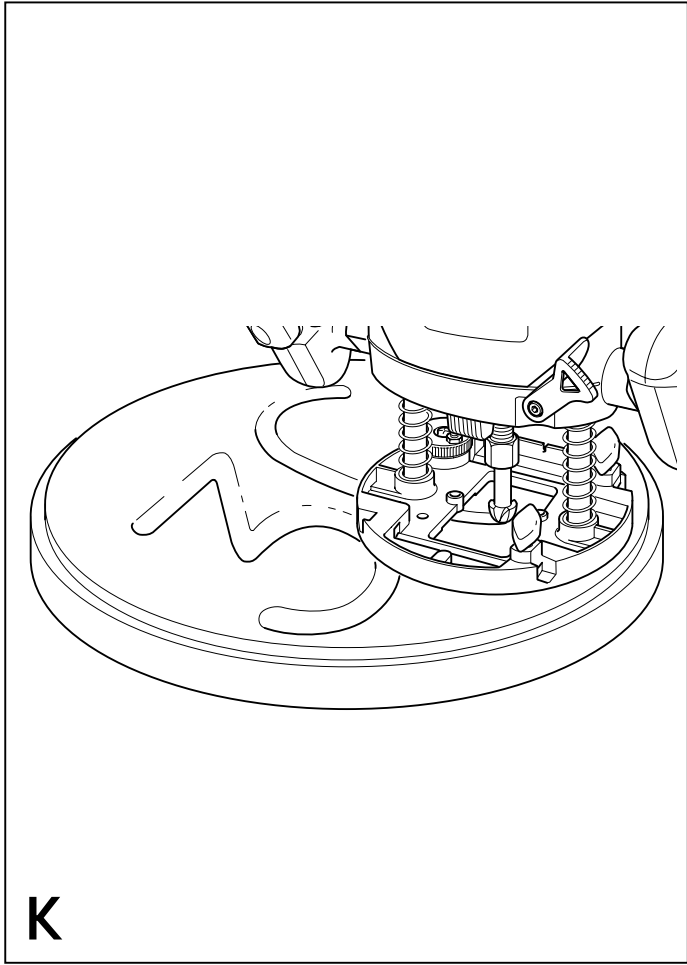
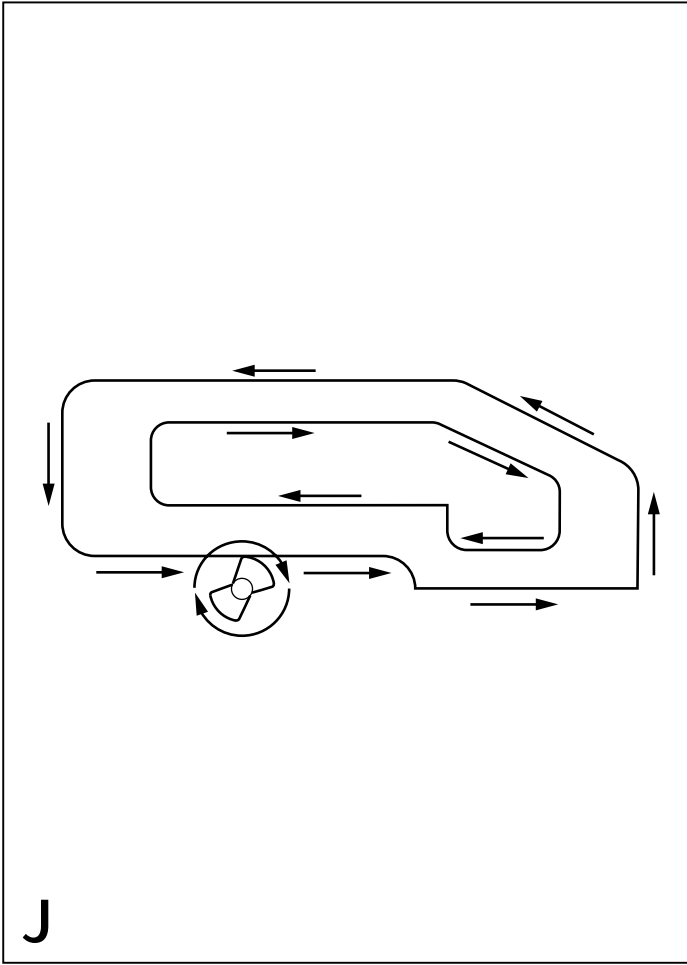
English	8
Deutsch	15
Français	23
Italiano	30
Nederlands	37
Español	44
Português	52
Svenska	59
Norsk	66
Dansk	73
Suomi	80
Ελληνικά	87

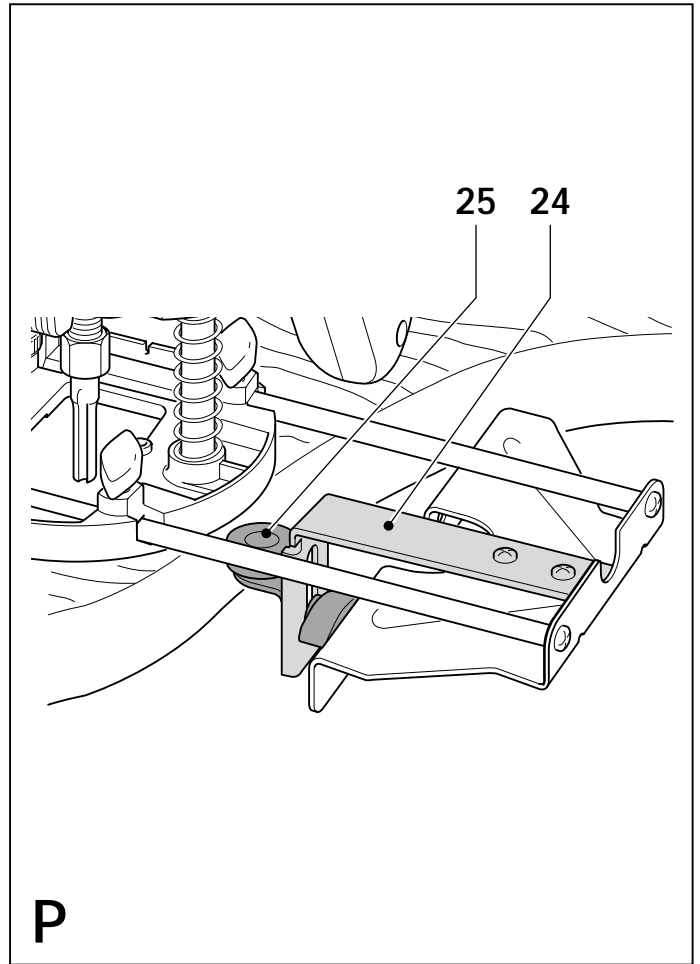
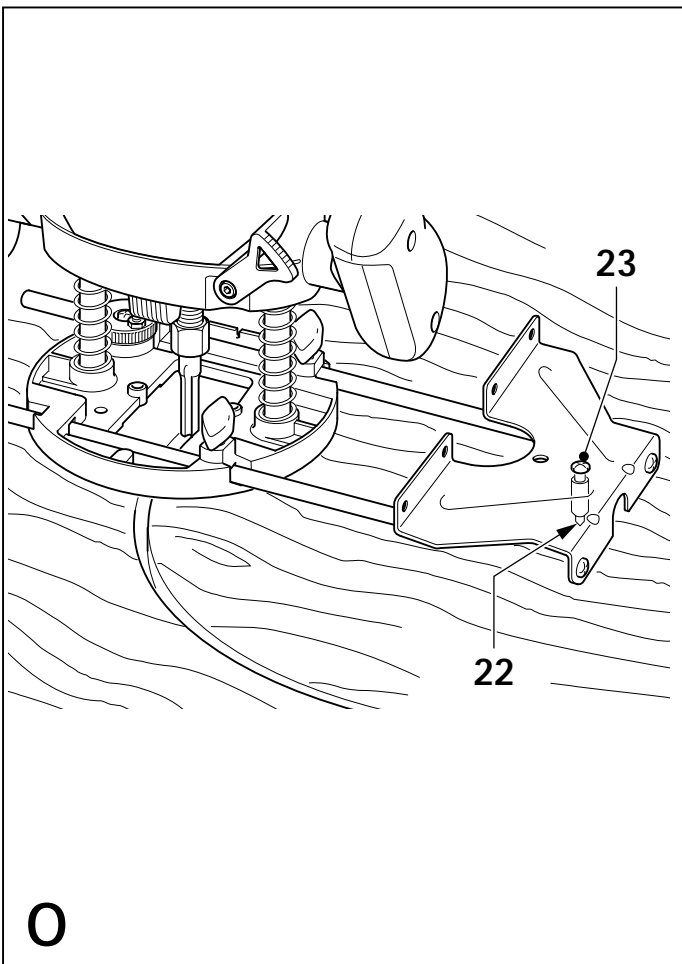
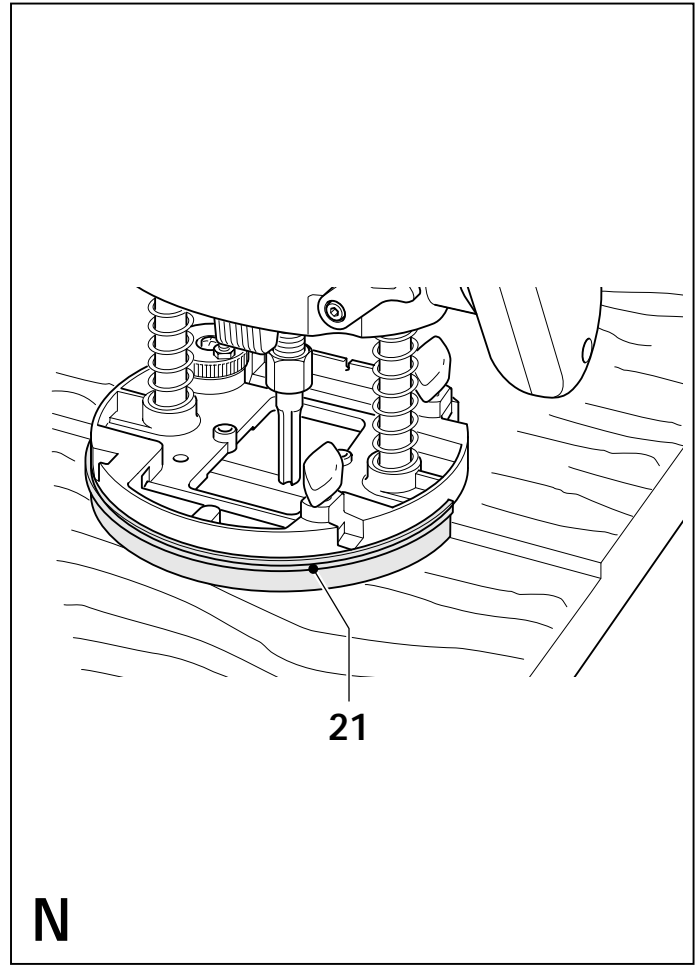
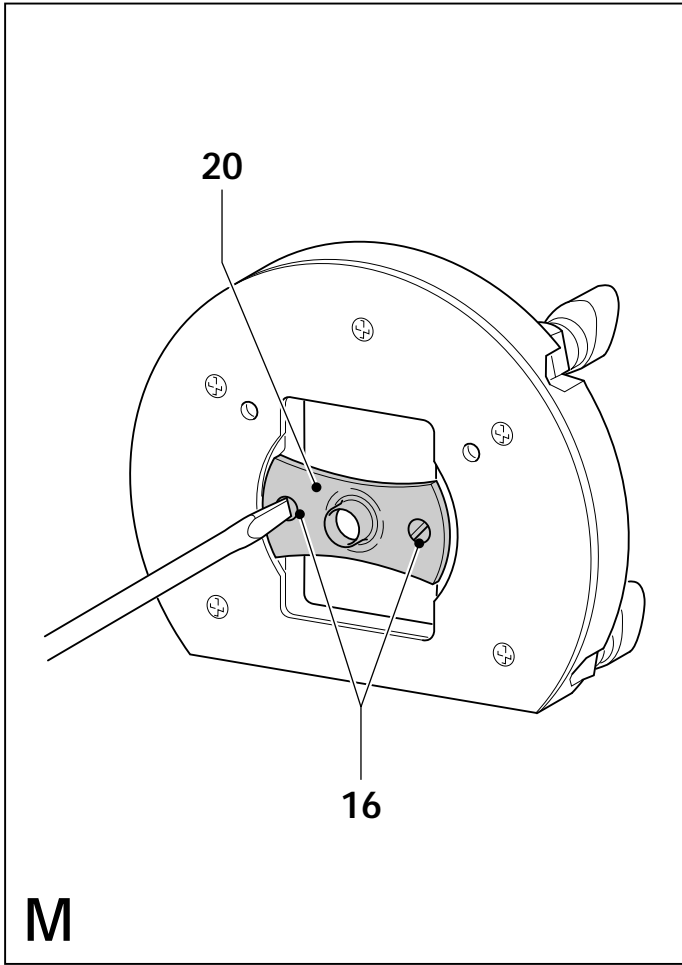


**A**









## ROUTER KW850E

### CONGRATULATIONS!

You have chosen a Black & Decker tool. Our aim is to provide quality tools at an affordable price. We hope that you will enjoy using this tool for many years.

### EC DECLARATION OF CONFORMITY



#### KW850E

Black & Decker declares that these products conform to:  
98/37/EC, 89/336/EEC, 73/23/EEC,  
EN 50144, EN 55014, EN 61000

Level of sound pressure, measured according to EN 50144:

		KW850E
$L_{pA}$	(sound pressure) dB(A)	85.5
$L_{WA}$	(acoustic power) dB(A)	98.5



Always wear ear protection if the sound pressure exceeds 85 dB(A).

Hand/arm weighted vibration value according to EN 50144:

		KW850E
		< 2.5 m/s <sup>2</sup>

Kevin Hewitt

Director of Consumer Engineering  
Spennymoor, County Durham DL16 6JG,  
United Kingdom

### INTENDED USE

Your Black & Decker router KW850E has been designed for routing wood and wood products. This tool is intended for consumer use only.

### SAFETY INSTRUCTIONS

#### Warning symbols

The following symbols are used in this manual:



Denotes risk of personal injury, loss of life or damage to the tool in case of non-observance of the instructions in this manual.



Denotes risk of electric shock.



Read the manual prior to operation.

#### Know your tool



- ◆ **Warning!** When using mains-powered tools, basic safety precautions, including the following, should always be followed to reduce the risk of fire, electric shock, personal injury and material damage.
- ◆ Read all of this manual carefully before operating the tool.
- ◆ Before operating the tool, make sure that you know how to switch the tool off in an emergency.
- ◆ Retain this manual for future reference.



## General

1. **Keep work area clean**  
Cluttered areas and benches can cause accidents.
2. **Consider work area environment**  
Do not expose the tool to rain. Do not use the tool in damp or wet conditions. Keep the work area well lit. Do not use the tool where there is a risk of causing fire or explosion, e.g. in the presence of flammable liquids and gases.
3. **Keep children away**  
Do not allow children, visitors or animals to come near the work area or to touch the tool or mains cable.
4. **Dress properly**  
Do not wear loose clothing or jewellery, as these can be caught in moving parts. Preferably wear rubber gloves and non-slip footwear when working outdoors. Wear protective hair covering to keep long hair out of the way.
5. **Personal protection**  
Always use safety glasses. Use a face or dust mask whenever the operations may produce dust or flying particles. Wear ear protection whenever the sound level seems uncomfortable.
6. **Guard against electric shock**  
Prevent body contact with earthed or grounded surfaces (e.g. pipes, radiators, cookers and refrigerators). Electric safety can be further improved by using a high-sensitivity (30 mA / 30 mS) residual current device (RCD).
7. **Do not overreach**  
Keep proper footing and balance at all times.
8. **Stay alert**  
Watch what you are doing. Use common sense. Do not operate the tool when you are tired.
9. **Secure workpiece**  
Use clamps or a vice to hold the workpiece. It is safer and it frees both hands to operate the tool.
10. **Connect dust extraction equipment**  
If devices are provided for the connection of dust extraction and collection facilities, ensure that these are connected and properly used.
11. **Remove adjusting keys and wrenches**  
Always check that adjusting keys and wrenches are removed from the tool before operating the tool.

## 12. Extension cables

Before use, inspect the extension cable and replace if damaged. When using the tool outdoors, only use extension cables intended for outdoor use.

## 13. Use appropriate tool

The intended use is described in this instruction manual. Do not force small tools or attachments to do the job of a heavy-duty tool. The tool will do the job better and safer at the rate for which it was intended. Do not force the tool.

**Warning!** The use of any accessory or attachment or performance of any operation with this tool other than those recommended in this instruction manual may present a risk of personal injury.

## 14. Check for damaged parts

Before use, carefully check the tool and mains cable for damage. Check for misalignment and seizure of moving parts, breakage of parts, damage to guards and switches and any other conditions that may affect its operation.

Ensure that the tool will operate properly and perform its intended function. Do not use the tool if any part is damaged or defective.

Do not use the tool if the switch does not turn it on and off. Have any damaged or defective parts repaired or replaced by an authorised repair agent. Never attempt any repairs yourself.

## 15. Unplug the tool

Unplug the tool when it is not in use, before changing any parts of the tool, accessories or attachments and before servicing.

## 16. Avoid unintentional starting

Do not carry the tool with a finger on the on/off switch. Be sure that the tool is switched off when plugging in.

## 17. Do not abuse cord

Never carry the tool by its cord or pull it to disconnect from the socket. Keep the cord away from heat, oil and sharp edges.

## 18. Store idle tools

When not in use, tools should be stored in a dry, locked up or high place, out of reach of children.

## 19. Maintain tools with care

Keep cutting tools sharp and clean for better and safer performance. Follow the instructions for maintenance and changing accessories.

Keep handles and switches dry, clean and free from oil and grease.

## 20. Repairs

This tool complies with relevant safety requirements. Repairs should only be carried out by qualified persons using original spare parts; otherwise this may result in considerable danger to the user.

### Additional safety instructions for routers



Wear safety glasses or goggles when operating this tool.

- ◆ Only use router bits with a shank diameter equal to the size of the collet installed in the tool.
- ◆ Only use router bits suitable for the no-load speed of the tool.
- ◆ Never use router bits with a diameter exceeding the maximum diameter specified in the technical data section.
- ◆ Do not use the tool in an inverted position.
- ◆ Do not attempt to use the tool in a stationary mode.
- ◆ Take special care when routing MDF or surfaces coated with lead-based paint:
  - Wear a dust mask specifically designed for protection against lead paint dust and fumes and ensure that persons within or entering the work area are also protected.
  - Do not let children or pregnant women enter the work area.
  - Do not eat, drink or smoke in the work area.
  - Dispose of dust particles and any other debris safely.

### Additional safety instructions for Australia and New Zealand

- ◆ This appliance is not intended for use by young or infirm persons without supervision. Children must be supervised to ensure they do not play with the appliance.
- ◆ If the supply cord is damaged, it must be replaced by the manufacturer or an authorised Black & Decker Service Centre in order to avoid a hazard.

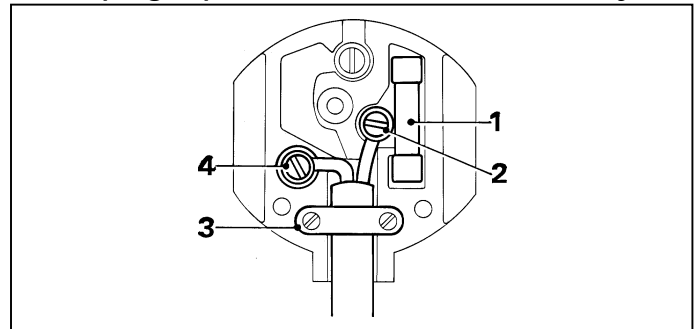
## ELECTRICAL SAFETY

The electric motor has been designed for one voltage only. Always check that the power supply corresponds to the voltage on the rating plate.



This tool is double insulated in accordance with EN 50144; therefore no earth wire is required.

### Mains plug replacement (U.K. & Ireland only)



- ◆ Should your mains plug need replacing and you are competent to do this, proceed as instructed below. If you are in doubt, contact an authorised repair agent or a qualified electrician.
- ◆ Disconnect the plug from the supply and remove the fuse from the plug.
- ◆ Cut off the plug and dispose of it safely; a plug with bared copper conductors is dangerous if engaged in a live socket outlet.
- ◆ Only fit 13 Amperes BS1363A approved plugs fitted with the correctly rated fuse (1).
- ◆ The cable wire colours, or a letter, will be marked at the connection points of most good quality plugs. Attach the wires to their respective points in the plug (see above). Brown is for Live (L) (2), blue is for Neutral (N) (4).
- ◆ Before replacing the top cover of the mains plug ensure that the cable restraint (3) is holding the outer sheath of the cable firmly and that the leads are correctly fixed at the terminal screws.
- ◆ If the plug has a fuse cover, make sure that the fuse cover is fitted. Do not use the plug if the fuse cover is missing or damaged.



Never use a light socket.

### Using an extension cable

Always use an approved extension cable suitable for the power input of this tool (see technical data). Before use, inspect the extension cable for signs of damage, wear and ageing. Replace the extension cable if damaged or defective.

When using a cable reel, always unwind the cable completely. Use of an extension cable not suitable for the power input of the tool or which is damaged or defective may result in a risk of fire and electric shock.

### PACKAGE CONTENTS

The package contains:

- 1 Router
- 3 Collets
- 1 Spanner
- 1 Edge guide
- 1 Dust extraction adaptor
- 1 Centring pin
- 1 Copy follower
- 1 Distance plate
- 1 Template guide
- 1 Instruction manual

- ◆ Carefully unpack all parts.

### OVERVIEW (fig. A)

1. On/off switch
2. Lock-off button
3. Variable speed control knob
4. Plunge lock lever
5. Fixing screws for edge guide
6. Collet
7. Spindle lock button
8. Revolver depth stop
9. Depth stop bar
10. Locking screw
11. Depth of cut scale
12. Dust extraction adaptor

### ASSEMBLY



Before attempting any of the following operations, make sure that the tool is switched off and unplugged and that the spindle has stopped.

### Fitting a router bit (fig. B)

- ◆ Keep the spindle lock (7) depressed and rotate the spindle until the spindle lock fully engages.
- ◆ Loosen the collet nut (13) using the spanner provided.
- ◆ Insert the shank of the router bit (14) into the collet (6). Make sure that the shank protrudes at least 3 mm from the collet as shown.
- ◆ Keep the spindle lock (7) depressed and tighten the collet nut (13) using the spanner provided.

### Fitting the edge guide (fig. C)

The edge guide helps to guide the tool parallel to an edge.

- ◆ Insert the bars (15) into the router base as shown.
- ◆ Set the edge guide to the required distance.
- ◆ Tighten the fixing screws (5).

### Fitting the dust extraction adaptor (fig. D)

The dust extraction adaptor allows you to connect a vacuum cleaner to the tool.

- ◆ Place the dust extraction adaptor (12) onto the base of the tool as shown.
- ◆ Insert the two screws (16) from the bottom through the holes in the base and in the dust extraction adaptor.
- ◆ Place a nut (17) onto each of the screws and securely tighten the nuts.

### Fitting the template guide (fig. M & D)

- ◆ Fit the template guide (20) to the base of the router, with the flange to the bottom (= workpiece) side.
- ◆ Insert the two long screws (16) from the bottom side through the template guide and the holes in the base.
- ◆ Place the dust extraction adaptor on top of the base as shown in fig. D.
- ◆ Place a nut (17) onto each of the screws and securely tighten the nuts.

### Fitting the distance piece (fig. N)

- ◆ Fit the distance piece (21) to the base of the router using the screws provided.

## **Fitting the centring pin (fig. O)**

- ◆ Fit the edge guide to the router as shown in fig. C, but upside down.
- ◆ Fit the centring pin (22) to the workpiece side of the edge guide with the screw (23) provided.

## **Fitting the copy follower (fig. P)**

- ◆ Fit the edge guide to the router as shown in fig. C.
- ◆ Fit the 'L' bar (24) to the upper side of the edge guide using the two screws and nuts provided.
- ◆ Fit the rotating attachment (25) to the 'L' bar with the wing screw provided.

### USE



Let the tool work at its own pace.  
Do not overload.

- ◆ Carefully guide the cable in order to avoid accidentally cutting it.

## **Adjusting the depth of cut (fig. E)**

The depth of cut is the distance X between the depth stop bar (9) and the depth stop (18). The depth of cut can be set in two different ways as described below.

### **Adjusting the depth of cut using a piece of wood (fig. A & F)**

- ◆ Fit the router bit as described above.
- ◆ Loosen the locking screw (10).
- ◆ Pull the plunge lock lever (4) up.
- ◆ Plunge the router down until the router bit touches the workpiece.
- ◆ Push the plunge lock lever (4) down.
- ◆ Pull the depth stop bar (9) up.
- ◆ Place a piece of wood with a thickness equal to the desired depth of cut between the depth stop (18) and the depth stop bar (9).
- ◆ Tighten the locking screw (10).
- ◆ Remove the piece of wood.
- ◆ Pull the plunge lock lever (4) up and let the router return to its original position.
- ◆ After switching the router on, plunge it down and make the desired cut.

### **Adjusting the depth of cut using the scale (fig. A & G)**

- ◆ Fit the router bit as described above.
- ◆ Loosen the locking screw (10).
- ◆ Pull the plunge lock lever (4) up.
- ◆ Plunge the router down until the router bit touches the workpiece.
- ◆ Push the plunge lock lever (4) down.
- ◆ Read the starting position from the scale (11).
- ◆ Add the desired depth of cut to the starting position.
- ◆ Move the depth stop bar (9) to the calculated position on the scale.
- ◆ Tighten the locking screw (10).
- ◆ Pull the plunge lock lever (4) up and let the router return to its original position.
- ◆ After switching the router on, plunge it down and make the desired cut.

### **Adjusting the revolver depth stop (fig. H)**

After turning the revolver depth stop to the desired setting, you can fine-adjust the depth stop to be used. If you want to make several cuts with a different depth of cut, adjust each of the depth stops.

- ◆ Turn the depth stop screw (19) up or down as required using a screwdriver.

### **Setting the speed (fig. A)**

- ◆ Set the speed control knob (3) to the required speed. Use a high speed for small diameter router bits. Use a low speed for large diameter router bits.

### **Using a batten as a guide (fig. I)**

When it is not possible to use the edge guide, for example when routing grooves in the back panel of a bookcase to support shelves, proceed as follows:

- ◆ Place a batten onto the workpiece.
- ◆ Move the batten until it is in the correct position to guide the tool.
- ◆ Securely clamp the batten to the workpiece.

### **Using the template guide (fig. M)**

The template guide can be used to make a cutout shape from a template, for instance a letter.

- ◆ Secure the template over the workpiece with double-sided tape or 'G' clamps.

- ◆ The router bit must extend below the flange of the template guide, to cut the workpiece in the shape of the template.

- ◆ Refer to the table below for common types of router bits.

**Router bits (fig. L)**

	Description	Application
Straight bit (1)	Grooves and rebates	
Trimming bit (2)	Trimming laminates or hardwood; accurate profiling using a template	
Rebating bit (3)	Rebates on straight or curved workpieces	
V-grooving bit (4)	Grooves, engraving and edge bevelling	
Core box bit (5)	Fluting, engraving and decorative edge moulding	
Cove bit (6)	Decorative edge moulding	
Ogee moulding bit (7)	Decorative edge moulding	
Rounding over bit (8)	Rounding over edges	
Dovetail bit (9)	Dovetail joints	
Chamfer bit (10)	Chamfer edges	

**Using the distance piece (fig. N)**

The distance piece can be used for trimming wooden or laminate vertical projections.

**Using the centring pin (fig. O)**

The centring pin can be used to cut out circular patterns.

- ◆ Drill a hole for the point of the centring pin in the centre of the circle to be cut.
- ◆ Place the router on the workpiece with the point of the centring pin in the drilled hole.
- ◆ Adjust the radius of the circle with the bars of the edge guide.
- ◆ The router can now be moved over the workpiece to cut out the circle.

**Using the copy follower (fig. P)**

The copy follower helps to maintain an equal cutting distance along the edge of irregularly shaped workpieces.

- ◆ Place the router on the workpiece at the desired distance from the edge to be copied.
- ◆ Adjust the bars of the edge guide until the wheel is in contact with the workpiece.

**Switching on and off (fig. A)**

**Switching on**

- ◆ Keep the lock-off button (2) depressed and press the on/off switch (1).
- ◆ Release the lock-off button.

**Switching off**

- ◆ Release the on/off switch.

**Hints for optimum use**

- ◆ When working on outside edges, move the tool counterclockwise (fig. J). When working on inside edges, move the tool clockwise.
- ◆ Use HSS router bits for softwood.
- ◆ Use TCT router bits for hardwood.
- ◆ You can use the tool without a guide (fig. K). This is useful for signwriting and creative work. Only make shallow cuts.

**MAINTENANCE**

Your Black & Decker tool has been designed to operate over a long period of time with a minimum of maintenance. Continuous satisfactory operation depends upon proper tool care and regular cleaning.



Before performing any maintenance, switch off and unplug the tool.

- ◆ Regularly clean the ventilation slots in your tool using a soft brush or dry cloth.
- ◆ Regularly clean the motor housing using a damp cloth. Do not use any abrasive or solvent-based cleaner.

**PROTECTING THE ENVIRONMENT**



Black & Decker provides a facility for recycling Black & Decker products once they have reached the end of their working life. This service is provided free of charge. To take advantage of this service please return your product to any authorised repair agent who will collect them on our behalf.

You can check the location of your nearest authorised repair agent by contacting your local Black & Decker office at the address indicated in this manual. Alternatively, a list of authorised Black & Decker repair agents and full details of our after-sales service and contacts are available on the Internet at: [www.2helpU.com](http://www.2helpU.com).

## Technical data

	KW850E	
Voltage	V <sub>AC</sub>	230
(Australia & New Zealand)	V <sub>AC</sub>	240
Power input	W	1,100
No-load speed	min <sup>-1</sup>	8,000 - 28,000
Collet size		6 mm, 1/4", 8 mm
Max. diameter of router bit	mm	33
Max. depth of cut	mm	55
Weight	kg	3.3

## GUARANTEE

Black & Decker is confident of the quality of its products and offers an outstanding guarantee. This guarantee statement is in addition to and in no way prejudices your statutory rights. The guarantee is valid within the territories of the Member States of the European Union and the European Free Trade Area.

If a Black & Decker product becomes defective due to faulty materials, workmanship or lack of conformity, within 24 months from the date of purchase, Black & Decker guarantees to replace defective parts, repair products subjected to fair wear and tear or replace such products to ensure minimum inconvenience to the customer unless:

- ◆ The product has been used for trade, professional or hire purposes;
- ◆ The product has been subjected to misuse or neglect;
- ◆ The product has sustained damage through foreign objects, substances or accidents;
- ◆ Repairs have been attempted by persons other than authorised repair agents or Black & Decker service staff.

To claim on the guarantee, you will need to submit proof of purchase to the seller or an authorised repair agent. You can check the location of your nearest authorised repair agent by contacting your local Black & Decker office at the address indicated in this manual. Alternatively, a list of authorised Black & Decker repair agents and full details of our after-sales service and contacts are available on the Internet at: [www.2helpU.com](http://www.2helpU.com).

## OTHER DIY TOOLS

Black & Decker has a full range of tools that make DIY jobs easy. If you would like further information on the following products, please contact our Service and Information Centre (see the address page towards the end of this manual) or your local Black & Decker retailer.

Drills

Cordless screwdrivers

Cordless drills/screwdrivers

Sanders

Jigsaws

Circular saws

Mitre saws

Angle grinders

Planers

Routers

Corded and cordless multi-purpose tools

Paint strippers

Workbenches

We also have a wide range of accessories for the above tools.

Not all products are available in all countries.

# HANDOBERFRÄSE KW850E

## HERZLICHEN GLÜCKWUNSCH!

Sie haben sich für ein Gerät von Black & Decker entschieden. Wir möchten Qualitätsgeräte zu einem erschwinglichen Preis bieten. Wir hoffen, daß Sie dieses Gerät viele Jahre mit Freude verwenden werden.

## EU-KONFORMITÄTSERKLÄRUNG



### KW850E

Black & Decker erklärt hiermit, daß diese Geräte entsprechend folgenden Richtlinien und Normen konzipiert wurden: 98/37/EWG, 89/336/EWG, 73/23/EWG, EN 50144, EN 55014, EN 61000

Höhe des Schalldrucks, gemessen nach EN 50144:

		KW850E
$L_{pA}$	(Schalldruck) dB(A)	85,5
$L_{WA}$	(Schalleistung) dB(A)	98,5



Tragen Sie bei einem Schalldruck über 85 dB(A) einen Gehörschutz.

Gewichteter Effektivwert der Beschleunigung nach EN 50144:

		KW850E
		< 2,5 m/s <sup>2</sup>

Kevin Hewitt

Director of Consumer Engineering  
Spennymoor, County Durham DL16 6JG,  
United Kingdom

## BESTIMMUNGSGEMÄSSE VERWENDUNG

Ihre Black & Decker Handoberfräse KW850E wurde zum Fräsen von Holz und Holzprodukten entwickelt.

Dieses Gerät ist nicht für den gewerblichen Einsatz vorgesehen.

## SICHERHEITSHINWEISE

### Warnsymbole

Folgende Warnsymbole werden in dieser Anleitung verwendet:



Verletzungsfahr, Lebensgefahr oder mögliche Beschädigung des Geräts infolge der Nichtbeachtung der Anweisungen dieser Anleitung!



Gefahr eines elektrischen Schlages.



Lesen Sie vor der Inbetriebnahme die Anleitung.

### Kennen Sie Ihr Gerät



- ◆ **Warnung!** Bei der Verwendung elektrischer Geräte sind zum Schutz gegen Feuergefahr, gegen elektrischen Schlag sowie gegen Körper- und Sachschaden grundlegende Sicherheitsmaßnahmen, einschließlich der folgenden Vorschriften, zu beachten.
- ◆ Lesen Sie diese Anleitung gründlich durch, bevor Sie das Gerät verwenden.
- ◆ Informieren Sie sich vor der Inbetriebnahme, wie Sie das Gerät im Notfall ausschalten.
- ◆ Bewahren Sie diese Anleitung auf.

## Allgemeines

1. **Halten Sie Ihren Arbeitsbereich in Ordnung!**  
Unordnung im Arbeitsbereich führt zu Unfallgefahren.
2. **Berücksichtigen Sie Umgebungseinflüsse!**  
Setzen Sie das Gerät keinem Regen aus. Verwenden Sie das Gerät nicht in einer feuchten oder nassen Umgebung. Sorgen Sie für eine gute Beleuchtung des Arbeitsbereiches. Benutzen Sie das Gerät nicht an Orten, wo Feuergefahr oder Explosionsgefahr besteht, z.B. in der Nähe von brennbaren Flüssigkeiten oder Gasen.
3. **Halten Sie Kinder fern!**  
Halten Sie Kinder, Besucher und Tiere dem Arbeitsbereich fern und sorgen Sie dafür, daß sie das Gerät und das Netzkabel nicht berühren.
4. **Tragen Sie geeignete Arbeitskleidung!**  
Tragen Sie keine weite Kleidung oder Schmuck, da diese von sich bewegenden Teilen erfaßt werden können. Beim Arbeiten im Freien sind Gummihandschuhe und rutschfestes Schuhwerk empfehlenswert. Tragen Sie bei langen Haaren ein Haarnetz.
5. **Schutzmaßnahmen:**  
Verwenden Sie immer eine Schutzbrille. Tragen Sie eine Atemschutzmaske, falls die Arbeiten Staub oder Späne erzeugen können. Tragen Sie bei einem hohen oder unangenehmen Schallpegel immer einen Gehörschutz.
6. **Schutz vor elektrischem Schlag:**  
Vermeiden Sie eine Körperberührung mit geerdeten Objekten (z.B. Rohren, Heizkörpern, Herden und Kühlschränken). Die elektrische Sicherheit läßt sich durch Verwendung eines Fehlerstrom-Schutzschalters (30 mA / 30 mS) weiter erhöhen.
7. **Achten Sie auf einen sicheren Stand!**  
Achten Sie auf einen sicheren Stand, um in jeder Arbeitsposition das Gleichgewicht zu halten.
8. **Seien Sie stets aufmerksam!**  
Konzentrieren Sie sich auf Ihre Arbeit. Gehen Sie vernünftig vor. Verwenden Sie das Gerät nicht, wenn Sie müde sind.
9. **Sichern Sie das Werkstück!**  
Benutzen Sie Spannvorrichtungen oder einen Schraubstock, um das Werkstück festzuhalten. Es ist damit sicherer gehalten und ermöglicht die Bedienung des Gerätes mit beiden Händen.
10. **Schließen Sie Vorrichtungen zur Staubabsaugung an!**  
Falls Vorrichtungen zur Absaugung oder zum Sammeln von Staub an das Gerät angeschlossen werden können, vergewissern Sie sich, daß diese angeschlossen sind und ordnungsgemäß verwendet werden.
11. **Lassen Sie keine Schlüssel stecken!**  
Überprüfen Sie vor dem Einschalten, ob die Schlüssel und Einstellwerkzeuge entfernt sind.
12. **Verlängerungskabel**  
Prüfen Sie vor dem Gebrauch das Verlängerungskabel und tauschen Sie es aus, falls es beschädigt ist. Wenn Sie das Gerät im Freien verwenden, verwenden Sie nur Verlängerungskabel, die sich für den Einsatz im Freien eignen.
13. **Benutzen Sie das richtige Gerät!**  
Die bestimmungsgemäße Verwendung ist in dieser Betriebsanleitung beschrieben. Verwenden Sie keine zu schwachen Geräte oder Zubehörteile für schwere Arbeiten. Mit dem richtigen Gerät erzielen Sie eine optimale Qualität und gewährleisten Ihre persönliche Sicherheit. Überlasten Sie das Gerät nicht. **Warnung!** Das Verwenden anderer als der in dieser Anleitung empfohlenen Vorsatzgeräte und Zubehörteile oder die Ausführung von Arbeiten mit diesem Gerät, die nicht der bestimmungsgemäßen Verwendung entsprechen, kann zu Unfallgefahren führen.
14. **Kontrollieren Sie Ihr Gerät auf Beschädigungen!**  
Überprüfen Sie das Gerät und das Netzkabel vor der Arbeit auf Beschädigungen. Überprüfen Sie, ob alle beweglichen Teile richtig montiert sind, ob keine Teile gebrochen sind, ob keine Schutzvorrichtungen und Schalter beschädigt sind, und ob irgendwelche andere Schäden den einwandfreien Betrieb des Gerätes beeinträchtigen könnten. Vergewissern Sie sich, daß das Gerät ordnungsgemäß funktionieren wird.



Benutzen Sie das Gerät nicht, wenn irgendein Teil defekt ist. Verwenden Sie das Gerät nicht, wenn der Ein-/Aus-Schalter nicht funktioniert. Lassen Sie defekte Teile immer von einer unserer Kundendienstwerkstätten reparieren oder austauschen. Versuchen Sie nie, das Gerät selber zu reparieren.

#### 15. Ziehen Sie den Netzstecker!

Ziehen Sie den Netzstecker, wenn Sie das Gerät nicht benutzen, bevor Sie irgendwelche Werkzeuge, Zubehörteile oder Geräteteile auswechseln und bevor Sie irgendwelche Wartungsarbeiten vornehmen.

#### 16. Vermeiden Sie ein unbeabsichtigtes Einschalten!

Tragen Sie das Gerät nicht mit dem Finger am Ein-/Aus-Schalter. Vergewissern Sie sich, daß das Gerät ausgeschaltet ist, wenn Sie es an die Stromversorgung anschließen.

#### 17. Behandeln Sie das Kabel sorgfältig!

Tragen Sie das Gerät nicht am Kabel und benutzen Sie das Kabel nicht, um den Stecker aus der Steckdose zu ziehen. Schützen Sie das Kabel vor Hitze, Öl und scharfen Kanten.

#### 18. Bewahren Sie Ihre Geräte sicher auf!

Unbenutzte Geräte sind an einem trockenen, für Kinder nicht erreichbaren Ort aufzubewahren.

#### 19. Pflegen Sie Ihre Geräte mit Sorgfalt!

Halten Sie Schneidwerkzeuge scharf und sauber, um gut und sicher arbeiten zu können. Befolgen Sie die Wartungsvorschriften und die Hinweise für den Werkzeugwechsel. Halten Sie Handgriffe und Schalter trocken, sauber und frei von Öl und Fett.

#### 20. Reparaturen:

Dieses Gerät entspricht den einschlägigen Sicherheitsvorschriften. Reparaturen sind nur von autorisierten Fachkräften und mit Original-Ersatzteilen vorzunehmen; andernfalls kann Unfallgefahr für den Betreiber entstehen.

#### Zusätzliche Sicherheitshinweise für Handoberfräsen



Tragen Sie bei der Verwendung dieses Geräts eine Schutzbrille!

- ◆ Verwenden Sie nur Fräser mit einem Schaftdurchmesser, der der Größe der im Gerät angebrachten Spannzange entspricht.
- ◆ Verwenden Sie nur Fräser, die für die Leerlaufdrehzahl des Geräts geeignet sind.
- ◆ Verwenden Sie niemals Fräser mit einem Durchmesser, der größer ist als der in den technischen Daten angegebene maximale Durchmesser.
- ◆ Verwenden Sie das Gerät nicht in einer umgekehrten Position.
- ◆ Versuchen Sie nicht, das Gerät stationär zu verwenden.
- ◆ Gehen Sie beim Fräsen in MDF oder Oberflächen mit bleihaltiger Farbe besonders vorsichtig vor.
  - Tragen Sie eine spezielle Maske zum Schutz vor Bleifarbstaub und -dämpfen, und stellen Sie sicher, daß auch andere Personen, die den Arbeitsplatz betreten, geschützt werden.
  - Verhindern Sie, daß Kinder oder Schwangere den Arbeitsplatz betreten.
  - Essen, trinken und rauchen Sie nicht am Arbeitsplatz.
  - Entsorgen Sie Staubteilchen und andere Schleifabfälle auf fachgerechte Weise.

#### ELEKTRISCHE SICHERHEIT

Der Elektromotor wurde für nur eine bestimmte Spannung konzipiert. Überprüfen Sie deswegen, ob die Netzspannung der auf dem Typenschild angegebenen Spannung entspricht.



Dieses Gerät ist gemäß EN 50144 doppelt isoliert; eine Erdleitung ist somit nicht erforderlich.



Bei Ersatz des Netzkabels achten Sie auf Verwendung des Schweizer Netzsteckers: Typ 11 für Geräte Klasse II (Doppelisolierung)

#### Verwendung eines Verlängerungskabels

Verwenden Sie immer ein zugelassenes Verlängerungskabel, das für die Leistungsaufnahme des Geräts ausreichend ist (vgl. technische Daten). Der Mindest-Leiterquerschnitt beträgt 1,5 mm<sup>2</sup>. Überprüfen Sie das Verlängerungskabel vor dem Gebrauch auf Beschädigung, Verschleiß und Alterserscheinungen.

Tauschen Sie ein beschädigtes oder defektes Verlängerungskabel aus. Rollen Sie das Kabel bei Verwendung einer Kabelrolle immer völlig aus. Die Verwendung eines Verlängerungskabels, das für die Leistungsaufnahme des Werkzeugs nicht geeignet ist, oder eines beschädigten Verlängerungskabels, kann einen Brand und Stromschläge verursachen.

## INHALT DER VERPACKUNG

Die Verpackung enthält:

- 1 Handoberfräse
- 3 Spannzangen
- 1 Schraubenschlüssel
- 1 Kantenführungsschiene
- 1 Staubsauger-Adapter
- 1 Zentrierstift
- 1 Kopierfolger
- 1 Distanzplatte
- 1 Schablonenführung
- 1 Bedienungsanleitung

- ◆ Packen Sie sorgfältig alle Teile aus.

## GERÄTEBESCHREIBUNG (Abb. A)

- 1. Ein-/Aus-Schalter
- 2. Einschaltperre
- 3. Geschwindigkeitsvorwahlknopf
- 4. Sicherungshebel
- 5. Befestigungsschrauben für Kantenführungsschiene
- 6. Spannzange
- 7. Spindelarrretierung
- 8. Revolver-Tiefenanschlag
- 9. Tiefenanschlagstange
- 10. Sicherungsschraube
- 11. Schnittiefenskala
- 12. Staubsauger-Adapter

## MONTAGE



Bevor Sie folgende Schritte durchführen, stellen Sie sicher, daß das Gerät ausgeschaltet und vom Netz getrennt ist und daß die Spindel stehengeblieben ist.

### Anbringen eines Fräasers (Abb. B)

- ◆ Halten Sie die Spindelarrretierung (7) gedrückt, und drehen Sie die Spindel, bis die Spindelarrretierung vollständig arrretiert.
- ◆ Lösen Sie die Spannzangenmutter (13) mit dem mitgelieferten Schraubenschlüssel.
- ◆ Setzen Sie den Schaft des Fräasers (14) in die Spannzange (6). Vergewissern Sie sich, daß der Schaft wie angegeben mindestens 3 mm aus der Spannzange herausragt.
- ◆ Halten Sie die Spindelarrretierung (7) gedrückt, und ziehen Sie die Spannzangenmutter (13) mit dem mitgelieferten Schraubenschlüssel an.

### Anbringen der Kantenführungsschiene (Abb. C)

Die Kantenführungsschiene unterstützt dabei, das Gerät parallel zu einer Kante zu führen.

- ◆ Setzen Sie die Stangen (15) wie angegeben in den Fuß der Handoberfräse ein.
- ◆ Stellen Sie die Kantenführungsschiene auf den gewünschten Abstand ein.
- ◆ Ziehen Sie die Befestigungsschrauben (5) an.

### Anbringen des Staubsauger-Adapters (Abb. D)

Mit dem Staubsauger-Adapter ist es möglich, einen Staubsauger mit dem Gerät zu verbinden.

- ◆ Setzen Sie den Staubsauger-Adapter (12) wie angegeben auf den Fuß des Geräts.
- ◆ Setzen Sie die beiden Schrauben (16) von der Unterseite durch die Löcher im Fuß und im Staubsauger-Adapter ein.
- ◆ Drehen Sie eine Mutter (17) auf jede Schraube, und ziehen Sie sie sicher an.

### Anbringen der Schablonenführung (Abb. M & D)

- ◆ Bringen Sie die Schablonenführung (20) am Fuß der Handoberfräse an, wobei der Flansch zur Unterseite (= Werkstückseite) weisen muß.
- ◆ Setzen Sie die beiden Langschrauben (16) von der Unterseite durch die Schablonenführung in die Löcher im Fuß ein.
- ◆ Bringen Sie den Staubsauger-Adapter gemäß Abbildung D auf der Oberseite des Fußes an.
- ◆ Drehen Sie eine Mutter (17) auf jede Schraube, und ziehen Sie sie sicher an.

**Anbringen des Distanzstücks (Abb. N)**

- ◆ Bringen Sie das Distanzstück (21) mit den mitgelieferten Schrauben am Fuß der Handoberfräse an.

**Anbringen des Zentrierstifts (Abb. O)**

- ◆ Bringen Sie die Kantenführungsschiene gemäß Abbildung C an der Handoberfräse an, jedoch in umgedrehter Lage.
- ◆ Bringen Sie den Zentrierstift (22) auf der Werkstückseite der Kantenführungsschiene mit der mitgelieferten Schraube (23) an.

**Anbringen des Kopierfolgers (Abb. P)**

- ◆ Bringen Sie die Kantenführungsschiene gemäß Abbildung C an der Handoberfräse an.
- ◆ Bringen Sie die "L"-Schiene (24) mit den beiden mitgelieferten Schrauben und Muttern an der oberen Seite der Kantenführungsschiene an.
- ◆ Bringen Sie die Rotationsaufsatz (25) mit der mitgelieferten Flügelschraube an der "L"-Schiene an.

**GEBRAUCH**

Beschleunigen Sie den Arbeitsvorgang nicht mit Gewalt. Vermeiden Sie eine Überlastung des Gerätes.

- ◆ Führen Sie das Kabel sorgfältig, damit Sie es nicht versehentlich durchschneiden.

**Einstellen der Schnittiefe (Abb. E)**

Die Schnittiefe ist der Abstand X zwischen der Tiefenanschlagstange (9) und dem Tiefenanschlag (18). Die Schnittiefe kann wie unten beschrieben auf zweierlei Arten eingestellt werden.

**Einstellen der Schnittiefe mit einem Stück Holz (Abb. A & F)**

- ◆ Bringen Sie den Fräser wie oben beschrieben an.
- ◆ Lösen Sie die Sicherungsschraube (10).
- ◆ Ziehen Sie den Sicherungshebel (4) nach oben.
- ◆ Tauchen Sie die Handoberfräse ein, bis der Fräser das Werkstück berührt.
- ◆ Drücken Sie den Sicherungshebel (4) nach unten.

- ◆ Ziehen Sie die Tiefenanschlagstange (9) nach oben.
- ◆ Setzen Sie ein Stück Holz zwischen den Tiefenanschlag (18) und die Tiefenanschlagstange (9), dessen Stärke der gewünschten Schnittiefe entspricht.
- ◆ Ziehen Sie die Sicherungsschraube (10) an.
- ◆ Entfernen Sie das Stück Holz.
- ◆ Ziehen Sie den Sicherungshebel (4) nach oben, und lassen Sie die Handoberfräse in ihre Ausgangslage zurückkehren.
- ◆ Nach dem Einschalten der Handoberfräse tauchen Sie sie ein und führen Sie den gewünschten Schnitt durch.

**Einstellen der Schnittiefe unter Verwendung der Skala (Abb. A & G)**

- ◆ Bringen Sie den Fräser wie oben beschrieben an.
- ◆ Lösen Sie die Sicherungsschraube (10).
- ◆ Ziehen Sie den Sicherungshebel (4) nach oben.
- ◆ Tauchen Sie die Handoberfräse ein, bis der Fräser das Werkstück berührt.
- ◆ Drücken Sie den Sicherungshebel (4) nach unten.
- ◆ Lesen Sie die Anfangsposition auf der Skala (11) ab.
- ◆ Addieren Sie die gewünschte Schnittiefe zur Anfangsposition hinzu.
- ◆ Bewegen Sie die Tiefenanschlagstange (9) zur errechneten Position auf der Skala.
- ◆ Ziehen Sie die Sicherungsschraube (10) an.
- ◆ Ziehen Sie den Sicherungshebel (4) nach oben, und lassen Sie die Handoberfräse in ihre Ausgangslage zurückkehren.
- ◆ Nach dem Einschalten der Handoberfräse tauchen Sie sie ein und führen Sie den gewünschten Schnitt durch.

**Einstellen des Revolver-Tiefenanschlags (Abb. H)**

Nachdem der Revolver-Tiefenanschlag in die gewünschte Stellung gedreht wurde, können Sie eine Feineinstellung am zu verwendenden Tiefenanschlag vornehmen. Falls Sie mehrere Schnitte mit unterschiedlichen Schnittiefen machen möchten, stellen Sie jeden der Tiefenanschläge entsprechend ein.

- ◆ Drehen Sie die Tiefenanschlagschraube (19) mit einem Schraubendreher wie erforderlich nach oben oder unten.

## **Einstellen der Drehzahl (Abb. A)**

- ◆ Stellen Sie den Geschwindigkeitsvorwahlknopf (3) auf die gewünschte Drehzahl ein.  
Verwenden Sie bei Fräsern mit einem kleinen Durchmesser eine hohe Drehzahl. Verwenden Sie bei Fräsern mit einem großen Durchmesser eine niedrige Drehzahl.

## **Verwendung einer Führungsleiste (Abb. I)**

Sollte es nicht möglich sein, die Kantenführungsschiene zu verwenden, beispielsweise beim Fräsen von Nuten in die Rückwand eines Bücherregals zum Abstützen der Böden, gehen Sie folgendermaßen vor:

- ◆ Legen Sie eine Leiste auf das Werkstück.
- ◆ Bewegen Sie die Leiste, bis sie sich in der richtigen Lage befindet, um das Gerät zu führen.
- ◆ Spannen Sie die Leiste sicher am Werkstück fest.

## **Verwendung der Schablonenführung (Abb. M)**

Die Schablonenführung kann verwendet werden, um eine Schnittform von einer Schablone ausgehend durchzuführen, wie beispielsweise bei einem Buchstaben.

- ◆ Sichern Sie die Schablone mit doppelseitigem Klebeband oder "G"-Klemmen über dem Werkstück.
- ◆ Der Fräser muß unterhalb des Flansches der Schablonenführung herausragen, um das Werkstück in der Form der Schablone zu fräsen.

## **Verwendung des Distanzstücks (Abb. N)**

Das Distanzstück kann verwendet werden, um senkrechte Holz- oder Laminatvorsprünge zu kürzen.

## **Verwendung des Zentrierstifts (Abb. O)**

Der Zentrierstift kann verwendet werden, um Kreismuster zu fräsen.

- ◆ Bohren Sie ein Loch für den Punkt des Zentrierstifts in die auszufräsende Kreismitte.
- ◆ Setzen Sie die Handoberfräse auf das Werkstück, wobei sich der Punkt des Zentrierstifts in der Lochbohrung befinden muß.
- ◆ Stellen Sie den Kreisradius mit den Stangen der Kantenführungsschiene ein.
- ◆ Die Fräse kann nun über das Werkstück bewegt werden, um den Kreis auszufräsen.

## **Verwendung des Kopierfolgers (Abb. P)**

Der Kopierfolger hilft dabei, eine gleichbleibende Schnittdistanz entlang der Kante von Werkstücken mit unregelmäßigen Formen aufrechtzuerhalten.

- ◆ Setzen Sie die Handoberfräse mit der gewünschten Entfernung von der zu kopierenden Kante auf das Werkstück.
- ◆ Stellen Sie die Stangen der Kantenführungsschiene ein, bis das Rad das Werkstück berührt.

## **Ein- und Ausschalten (Abb. A)**

### **Einschalten**

- ◆ Halten Sie die Einschaltsperrleiste (2) gedrückt, und drücken Sie auf den Ein-/Ausschalter (1).
- ◆ Lassen Sie die Einschaltsperrleiste los.

### **Ausschalten**

- ◆ Lassen Sie den Ein-/Ausschalter los.

## **Hinweise für optimale Arbeitsergebnisse**

- ◆ Bei Arbeiten an Außenkanten bewegen Sie das Gerät gegen den Uhrzeigersinn (Abb. J).  
Bei Arbeiten an Innenkanten bewegen Sie das Gerät im Uhrzeigersinn.
- ◆ Verwenden Sie für Weichholz HSS-Fräser.
- ◆ Verwenden Sie für Hartholz TCT-Fräser.
- ◆ Sie können das Gerät auch ohne Führung verwenden (Abb. K). Dies ist beim Erstellen von Schildern und für kreative Arbeiten nützlich. Machen Sie nur Flachschnitte.
- ◆ Die gebräuchlichsten Fräser sind in der Tabelle unten aufgeführt.

## **Fräser (Abb. L)**

Beschreibung	Anwendung
Gerader Fräser (1)	Nuten und Falze
Beschneidungsfräser (2)	Beschneiden von Laminat oder Hartholz; präzise Profilgebung unter Verwendung einer Schablone
Falzfräser (3)	Falze auf geraden oder kurvigen Werkstücken
V-Nutenfräser (4)	Nuten, Gravuren und Abrunden von Kanten

Kernfräser (5)	Riffeln, Gravuren und dekorative Kantenformung
Kehlfräser (6)	Dekorative Kantenformung
Spitzbogenfräser (7)	Dekorative Kantenformung
Rundungsfräser (8)	Abrunden von Kanten
Schwalbenschwanzfräser (9)	Schwalbenschwanzverbindungen
Fasenfräser (10)	Abschrägen von Kanten

## WARTUNG

Ihr Black & Decker Gerät wurde für eine lange Lebensdauer und einen möglichst geringen Wartungsaufwand entwickelt. Ein dauerhafter, einwandfreier Betrieb setzt eine regelmäßige Reinigung voraus.



Bevor Sie irgendwelche Wartungsarbeiten vornehmen, schalten Sie das Gerät aus und ziehen Sie den Netzstecker.

- ◆ Reinigen Sie regelmäßig die Lüftungsschlitze im Gerät mit Hilfe einer weichen Bürste oder eines trockenen Tuches.
- ◆ Reinigen Sie regelmäßig das Motorgehäuse mit Hilfe eines feuchten Tuches. Verwenden Sie keine scheuernden Reinigungsmittel oder Reinigungsmittel auf Lösungsmittelbasis.

## UMWELTSCHUTZ



Black & Decker nimmt Ihre ausgedienten Black & Decker Geräte gern zurück und sorgt für eine umweltfreundliche Entsorgung. Diese Dienstleistung ist für Sie kostenlos. Um diese Dienstleistung in Anspruch zu nehmen, geben Sie das Gerät bitte bei einer autorisierten Reparaturwerkstatt ab, die für uns die Einsammlung übernimmt.

Die Adresse des zuständigen Büros von Black & Decker finden Sie in dieser Anleitung, darüber läßt sich die nächstgelegene Vertragswerkstatt ermitteln. Außerdem ist eine Liste der Vertragswerkstätten und aller Kundendienststellen von Black & Decker sowie der zuständigen Ansprechpartner im Internet zu finden unter: [www.2helpU.com](http://www.2helpU.com).

## Technische Daten

		KW850E
Spannung	V <sub>AC</sub>	230
Leistungsaufnahme	W	1.100
Leerlaufdrehzahl	min <sup>-1</sup>	8.000 - 28.000
Spannzangengröße		6 mm, 1/4", 8 mm
Max. Durchmesser des Fräasers	mm	33
Maximale Schnittiefe	mm	55
Gewicht	kg	3,3

## GARANTIE

Black & Decker vertraut auf die Qualität der eigenen Geräte und bietet dem Käufer eine außergewöhnliche Garantie. Diese Garantiezusage versteht sich unbeschadet der gesetzlichen Gewährleistungsansprüche und schränkt diese keinesfalls ein. Sie gilt in sämtlichen Mitgliedsstaaten der Europäischen Union und der Europäischen Freihandelszone EFTA.

Tritt innerhalb von 24 Monaten ab Kaufdatum an einem Gerät von Black & Decker ein auf Material- oder Verarbeitungsfehler zurückzuführender Mangel auf, garantiert Black & Decker den Austausch defekter Teile, die Reparatur von Geräten mit üblichem Verschleiß bzw. den Austausch eines mangelhaften Geräts, ohne den Kunden dabei mehr als unbedingt nötig in Anspruch zu nehmen, allerdings vorbehaltlich folgender Ausnahmen:

- ◆ wenn das Gerät gewerblich, beruflich oder im Verleihgeschäft benutzt wurde;
- ◆ wenn das Gerät mißbräuchlich verwendet oder mit mangelnder Sorgfalt behandelt wurde;
- ◆ wenn das Gerät durch irgendwelche Fremdeinwirkung beschädigt wurde;
- ◆ wenn ein unbefugter Reparaturversuch durch anderes Personal als das einer Vertragswerkstatt oder des Black & Decker-Kundendienstes unternommen wurde.

Zur Inanspruchnahme dieser Garantie ist dem Verkäufer bzw. der Vertragswerkstatt ein Kaufnachweis vorzulegen. Die Adresse des zuständigen Büros von Black & Decker steht in dieser Anleitung, darüber läßt sich die nächstgelegene Vertragswerkstatt ermitteln. Außerdem ist eine Liste der Vertragswerkstätten und aller Kundendienststellen von Black & Decker sowie der zuständigen Ansprechpartner im Internet zu finden unter: [www.2helpU.com](http://www.2helpU.com).

## WEITERE HEIMWERKERGERÄTE

Black & Decker bietet ein großes Sortiment an Heimwerkergeräten an, die die Heimwerkerarbeit erheblich erleichtern. Für nähere Informationen zu den folgenden Geräten wenden Sie sich bitte an den Black & Decker Kundendienst (Adresse hinten in dieser Anleitung) oder an Ihren Händler.

Bohrmaschinen  
Bohrhämmer  
Akku-Schrauber  
Akku-Bohrschrauber  
Akku-Handkreissägen  
Schleifer  
Stichsägen  
Handkreissägen  
Kapp- und Gehrungssägen  
Universalsägen  
Winkelschleifer  
Hobel  
Oberfräsen  
Multifunktionsgeräte  
Akku-Multifunktionsgeräte  
Heißluftgeräte  
Tacker  
Werkbänke

Wir bieten auch ein großes Sortiment an Zubehörteilen für diese Geräte an.

Nicht alle Produkte sind in allen Ländern erhältlich.

# DEFONCEUSE KW850E

## FELICITATIONS !

Vous avez choisi un outil Black & Decker. Notre but est de fournir des outils de qualité au juste prix. Nous espérons que vous profiterez de cet outil pendant longtemps.

## DECLARATION DE CONFORMITE CE



### KW850E

Black & Decker déclare que ces outils sont conformes aux normes:

98/37/CEE, 89/336/CEE, 73/23/CEE,  
EN 50144, EN 55014, EN 61000

Niveau de pression acoustique, mesuré suivant la norme EN 50144:

		KW850E
$L_{pA}$	(pression acoustique)	dB(A) 85,5
$L_{WA}$	(puissance acoustique)	dB(A) 98,5



Portez toujours des protections pour les oreilles (casque) lorsque le niveau de pression acoustique est supérieur à 85 dB(A).

Niveau de vibration main/bras selon la norme EN 50144:

		KW850E
		< 2,5 m/s <sup>2</sup>

Kevin Hewitt  
Directeur du Développement  
Spennymoor, County Durham DL16 6JG,  
Royaume-Uni

## UTILISATION PREVUE

Votre défonceuse Black & Decker KW850E a été conçue pour travailler le bois et les produits en bois.

Cet outil a été conçu pour une utilisation exclusivement domestique.

## INSTRUCTIONS DE SECURITE

### Symboles de prévention

Les symboles suivants sont utilisés dans le présent manuel:



Risque de blessure, danger de mort ou risque de dégradation de l'outil en cas de non-respect des instructions du présent manuel.



Risque d'électrocution.



Lire le manuel avant d'utiliser l'outil.

### Découvrez votre outil



- ◆ **Attention!** Lors de l'utilisation d'outils électriques, observez les consignes fondamentales de sécurité, y compris celles qui suivent afin de réduire les risques d'incendie, de décharges électriques, de blessures et de dommages matériels.
- ◆ Lisez et observez attentivement les instructions avant d'utiliser l'outil.
- ◆ Avant d'utiliser l'outil, assurez-vous de savoir comment mettre votre outil à l'arrêt en cas d'urgence.
- ◆ Conservez ces instructions.

**Généralités****1. Tenez votre aire de travail propre et bien rangée**

Le désordre augmente les risques d'accident.

**2. Tenez compte des conditions ambiantes**

N'exposez pas l'outil à la pluie. N'exposez pas l'outil à l'humidité. Veillez à ce que l'aire de travail soit bien éclairée. N'utilisez pas l'outil s'il existe un risque d'incendie ou d'explosion, par exemple en présence de liquides ou de gaz inflammables.

**3. Tenez les enfants éloignés**

Ne laissez pas les enfants, les visiteurs ou les animaux s'approcher de l'aire de travail ou toucher l'outil ou le câble d'alimentation.

**4. Portez des vêtements de travail appropriés**

Ne pas porter de vêtements flottants ou de bijoux. Ils pourraient être happés par les pièces en mouvement. Lors de travaux à l'extérieur, il est recommandé de porter des gants en caoutchouc et des chaussures à semelle anti-dérapante. Le cas échéant, attachez vos cheveux s'ils sont longs, ou couvrez vous la tête.

**5. Protection**

Portez toujours des lunettes de protection. Portez des lunettes de protection et un masque pour protéger le visage si le travail exécuté produit de la poussière ou des copeaux volants. Portez des protections auditives lorsque le niveau sonore semble gênant.

**6. Protégez-vous des décharges électriques.**

Veillez à ce que le corps n'entre pas en contact avec des surfaces reliées à la prise de masse ou de terre (par ex. Tuyaux, radiateurs, cuisinières et réfrigérateurs). Utilisez un interrupteur de protection contre les courants de court-circuits à haute sensibilité (30 mA / 30 mS) pour améliorer la sécurité électrique.

**7. Adoptez une position confortable**

Toujours tenir les deux pieds à terre et garder l'équilibre.

**8. Faites preuve de vigilance**

Observez votre travail. Faites preuve de bon sens. Ne pas employer l'outil en cas de fatigue.

**9. Fixez bien la pièce à travailler**

Pour plus de sécurité, fixez la pièce à travailler avec un dispositif de serrage ou un étai.

Ainsi, vous aurez les deux mains libres pour manier l'outil.

**10. Branchez le dispositif d'extraction de poussière.**

Si vous disposez de systèmes pour brancher les dispositifs d'extraction et de ramassage de poussière, assurez-vous qu'ils sont bien branchés et qu'ils fonctionnent correctement.

**11. Enlevez les clés et outils de réglage**

Avant de mettre l'outil en marche, retirez les clés et outils de réglage.

**12. Rallonges**

Vérifiez la rallonge avant de l'utiliser et remplacez-la en cas de dommage. Si vous souhaitez utiliser cet outil à l'extérieur, n'utilisez que des rallonges prévues à cet effet.

**13. Utilisez l'outil adéquat**

Le domaine d'utilisation de l'outil est décrit dans le présent manuel. Ne pas utiliser d'outils ou d'accessoires de trop faible puissance pour exécuter des travaux lourds. L'utilisation d'accessoires autres que ceux recommandés dans le présent manuel pourrait entraîner un risque de blessure. Ne forcez pas l'outil.

**Attention!** Utilisez l'outil conformément à sa destination.

**14. Contrôlez les dommages éventuels de votre outil**

Avant d'utiliser l'outil et le câble d'alimentation, vérifiez soigneusement qu'ils ne sont pas endommagés. Vérifiez l'alignement des pièces en mouvement, leur prise et toute rupture de pièces, tout dommage des protections et des interrupteurs et toute autre condition pouvant affecter le fonctionnement de l'outil. Veillez à ce que l'outil fonctionne correctement et qu'il exécute les tâches pour lesquelles il est prévu. N'utilisez pas l'outil si une pièce est défectueuse. Ne pas utiliser l'outil si l'interrupteur marche/arrêt ne fonctionne pas. Faites réparer ou échangez toute pièce endommagée par un service de réparation agréé. Ne tentez jamais de le réparer vous-même.

**15. Retirez l'outil de la prise**

Retirez l'outil de la prise lorsque l'outil n'est pas utilisé, avant de changer toute pièce de l'outil ou tout accessoire et avant de procéder à l'entretien.



**16. Evitez tout démarrage involontaire**

Ne portez pas l'outil avec un doigt sur l'interrupteur marche/arrêt. Assurez-vous que l'outil est en position d'arrêt avant de le brancher.

**17. Ne tirez pas sur le câble d'alimentation**

Ne portez jamais l'outil par le câble et ne tirez pas sur celui-ci pour le débrancher de la prise. Préservez le câble de la chaleur, de l'huile et des arêtes tranchantes.

**18. Rangez vos outils dans un endroit sûr**

Lorsque vous n'utilisez pas vos outils, rangez-les dans un endroit sec, fermé ou élevé, hors de portée des enfants.

**19. Entretenez vos outils avec soin**

Maintenez vos outils affûtés et propres afin de travailler mieux et plus sûrement. Suivez les instructions d'entretien et de changement d'accessoires. Maintenez les poignées et les interrupteurs secs, propres et exempts d'huile et de graisse.

**20. Réparations**

Cet outil est conforme aux conditions de sécurité requises. Les réparations devront uniquement être effectuées par des personnes qualifiées utilisant des pièces de rechange d'origine ; en cas contraire, cela pourrait être très dangereux pour l'utilisateur.

**Instructions de sécurité supplémentaires pour les défonceuses**

Portez des lunettes de sécurité lorsque vous utilisez cet outil.

- ◆ N'utilisez que des fraises ayant un diamètre de queue égal à la taille de la pince installée sur l'outil.
- ◆ N'utilisez que des fraises adaptées à la vitesse à vide de l'outil.
- ◆ N'utilisez jamais de fraises dont le diamètre soit supérieur au diamètre maximum indiqué au chapitre des renseignements techniques.
- ◆ N'utilisez pas cet outil en position inversée.
- ◆ Ne tentez pas d'utiliser l'outil en position fixe.
- ◆ Soyez particulièrement vigilant lorsque vous travaillez du MDF ou des surfaces recouvertes de peinture à base de plomb :

- Portez un masque contre la poussière spécialement conçu pour vous protéger de la poussière des peintures à base de plomb et des fumées et veillez à ce que les personnes se trouvant à l'intérieur de la zone de travail ou y pénétrant soient également protégées.
- Ne laissez pas les enfants ou les femmes enceintes entrer dans la zone de travail.
- Ne mangez pas, ne buvez pas ou ne fumez pas dans la zone de travail.
- Nettoyez l'outil de toutes particules de poussière et autre débris.

**SECURITE ELECTRIQUE**

Le moteur électrique a été conçu pour une seule tension. Vérifiez si la tension secteur correspond à la tension indiquée sur la plaque d'identification.



Cet outil à double isolation est conforme à la norme EN 50144; un branchement à une prise de terre n'est donc pas nécessaire.



Toujours utiliser la fiche prescrite lors du remplacement du câble d'alimentation. Type 11 pour la classe II - double isolation

**Câbles de rallonge**

Utilisez un câble de rallonge adapté à la puissance absorbée de cet outil (voir les caractéristiques techniques). La section minimum du conducteur est de 1,5 mm<sup>2</sup>. Avant d'utiliser l'outil, vérifiez que le câble n'est ni endommagé ni usé. Changez le câble de rallonge s'il est endommagé. En cas d'utilisation d'un dévidoir, déroulez toujours le câble complètement. L'utilisation d'une rallonge non adaptée ou endommagée ou défectueuse peut entraîner un risque d'incendie ou d'électrocution.

**CONTENU DE LA BOITE**

La boîte contient :

- 1 Défonceuse
- 3 Pincés de serrage
- 1 Clé plate
- 1 Sabot de guidage
- 1 Adaptateur d'extraction de poussière
- 1 Goupille de centrage
- 1 Suiveur de copie

- 1 Plaque intercalaire
- 1 Guide de gabarit
- 1 Manuel d'instructions

- ◆ Déballez soigneusement toutes les pièces.

## APERÇU (fig. A)

- 1. Interrupteur marche/arrêt
- 2. Bouton de blocage
- 3. Bouton de contrôle de vitesse variable
- 4. Levier de blocage en plongée
- 5. Fixation des vis du sabot de guidage
- 6. Pince de serrage
- 7. Bouton de blocage d'arbre
- 8. Butée de profondeur revolver
- 9. Barre de butée de profondeur
- 10. Vis de blocage
- 11. Profondeur d'échelle de coupe
- 12. Adaptateur d'extraction de poussière

## ASSEMBLAGE



Avant d'effectuer l'une des opérations suivantes, assurez-vous que l'outil est bien éteint et débranché et que l'arbre a cessé de tourner.

### Mise en place d'une fraise (fig. B)

- ◆ Continuez à appuyer sur le bouton de verrouillage (7) et faites tourner l'arbre jusqu'à ce que le bouton de verrouillage soit bien mis en place à fond.
- ◆ Dévissez l'écrou de la pince (13) à l'aide de la clé fournie.
- ◆ Insérez la queue de la fraise (14) dans la pince (6). Vérifiez que la queue dépasse d'au moins 3 mm de la pince, comme l'illustre la figure.
- ◆ Enfoncez le bouton de blocage d'arbre (7), maintenez-le dans cette position et serrez l'écrou de la pince (13) à l'aide de la clé plate qui vous est fournie.

### Mise en place du sabot de guidage (fig. C)

Le sabot de guidage vous aidera à guider l'outil pour qu'il travaille parallèlement à un bord.

- ◆ Insérez les barres (15) dans la base, comme sur l'illustration.

- ◆ Réglez le sabot de guidage à la distance voulue.
- ◆ Serrez les vis de fixation (5).

### Mise en place de l'adaptateur d'extraction de poussière (fig. D)

L'adaptateur d'extraction de poussière vous permet de brancher un aspirateur sur l'outil.

- ◆ Placez l'adaptateur (12) sur la base de l'outil, comme l'indique la figure.
- ◆ Insérez les deux vis (16) du bas dans les trous placés sur la base et dans l'adaptateur d'extraction de poussière.
- ◆ Placez un écrou (17) sur chacune de ces vis et serrez bien.

### Mise en place du guide de gabarit (fig. M & D)

- ◆ Installer le guide de gabarit (20) sur la base, en prenant soin de placer le flasque vers le bas (= pièce à travailler).
- ◆ Insérez les deux vis longues (16) du bas dans les trous placés dans le guide de gabarit et dans les trous de la base.
- ◆ Placez l'adaptateur d'extraction de poussière sur le dessus de la base comme illustré dans la fig. D.
- ◆ Placez un écrou (17) sur chacune de ces vis et serrez bien.

### Mise en place de la pièce intercalaire (fig. N)

- ◆ Placez la pièce intercalaire (21) sur la base à l'aide des vis fournies.

### Mise en place de la goupille de centrage (fig. O)

- ◆ Placez le sabot de guidage sur la défonceuse comme illustré dans la fig. C, mais à l'envers.
- ◆ Placez la goupille de centrage (22) sur le côté de la pièce à travailler du sabot de guidage à l'aide de la vis (23) fournie.

### Mise en place du suiveur de copie (fig. P)

- ◆ Placez le sabot de guidage sur la défonceuse comme illustré dans la fig. C.
- ◆ Placez la barre en L (24) sur le côté supérieur du sabot de guidage à l'aide des deux vis et des écrous fournis.
- ◆ Placez l'accessoire rotatif (25) sur la barre en "L" à l'aide de la vis papillon fournie.

## UTILISATION



Laissez l'outil fonctionner à sa propre vitesse. Ne le surchargez pas.

- ◆ Guidez le câble avec soin pour ne pas le couper par mégarde.

### Réglage de la profondeur de coupe (fig. E)

La profondeur de coupe est égale à la distance X entre la barre de butée de profondeur (9) et la butée de profondeur (18). La profondeur de coupe est réglable de deux manières, qui sont décrites ci-dessous.

Réglage de la profondeur de coupe à l'aide d'un morceau de bois (fig. A & F)

- ◆ Installez la fraise comme indiqué ci-dessus.
- ◆ Desserrez la vis de blocage (10).
- ◆ Tirez sur le levier de blocage de plongée (4).
- ◆ Rabaissez la défonceuse jusqu'à ce que la fraise entre en contact avec la pièce à travailler.
- ◆ Poussez sur le levier de blocage de plongée (4).
- ◆ Tirez sur la barre de butée de profondeur (9).
- ◆ Placez un morceau de bois d'une épaisseur égale à la profondeur de coupe voulue entre la butée de profondeur (18) et la barre de butée de profondeur (9).
- ◆ Serrez la vis de blocage (10).
- ◆ Retirez le morceau de bois.
- ◆ Tirez sur le levier de blocage de plongée (4) et laissez la défonceuse revenir sur sa position initiale.
- ◆ Allumez la défonceuse, abaissez-la et faites la coupe voulue.

Réglage de la profondeur de coupe à l'aide de l'échelle (fig. A & G).

- ◆ Installez la fraise comme indiqué ci-dessus.
- ◆ Desserrez la vis de blocage (10).
- ◆ Tirez sur le levier de blocage de plongée (4).
- ◆ Rabaissez la défonceuse jusqu'à ce que la fraise entre en contact avec la pièce à travailler.
- ◆ Poussez sur le levier de blocage de plongée (4).
- ◆ Regardez la position de départ sur l'échelle (11).
- ◆ Ajoutez-y la profondeur de coupe voulue.

- ◆ Déplacez la barre de butée de profondeur (9) sur la position de l'échelle qui correspond à votre calcul.
- ◆ Serrez la vis de blocage (10).
- ◆ Tirez sur le levier de blocage de plongée (4) et laissez la défonceuse revenir sur sa position initiale.
- ◆ Allumez la défonceuse, abaissez-la et faites la coupe voulue.

### Réglage de la butée de profondeur revolver (fig. H)

Après avoir tourné la butée de profondeur revolver sur le réglage voulu, vous pouvez faire un réglage précis de la butée de profondeur à utiliser. Si vous souhaitez effectuer plusieurs coupes de différentes profondeurs, réglez chacune des butées de profondeur.

- ◆ Tournez la vis de butée de profondeur (19) dans un sens ou dans l'autre, selon les besoins, à l'aide d'un tournevis.

### Réglage de la vitesse (fig. A)

- ◆ Ajustez la vitesse souhaitée à l'aide du bouton de commande (3). Choisissez une vitesse élevée pour les fraises de petit diamètre. Choisissez une vitesse faible pour les fraises de grand diamètre.

### Se servir d'une latte de guidage (fig. I)

Lorsqu'il n'est pas possible d'utiliser le sabot de guidage, comme par exemple quand vous taillez des rainures sur le panneau arrière d'un meuble à étagères, procédez comme suit :

- ◆ Placez une latte sur la pièce à travailler.
- ◆ Placez-la sur la position qui convient pour guider l'outil.
- ◆ Attachez solidement la latte sur la pièce à travailler.

### Utilisation du guide de gabarit (fig. M)

Le guide de gabarit peut être utilisé pour découper une forme dans un gabarit, une lettre par exemple.

- ◆ Fixez le gabarit sur la pièce à travailler à l'aide d'adhésif double face ou avec des pinces en "G".
- ◆ La fraise doit passer au-dessous du flasque du guide de gabarit pour découper dans la pièce la forme du gabarit.

## Utilisation de la pièce intercalaire (fig. N)

La pièce intercalaire peut être utilisée pour tailler des projections verticales dans du bois ou du contreplaqué.

## Utilisation de la goupille de centrage (fig. O)

La goupille de centrage peut être utilisée pour découper des formes circulaires.

- ◆ Percez un trou pour repérer la place de la goupille de centrage au centre du cercle à découper.
- ◆ Placez la défonceuse sur la pièce en prenant soin de placer le point de la goupille de centrage dans le trou percé au préalable.
- ◆ Réglez le rayon du cercle à l'aide des barre du sabot de guidage.
- ◆ Vous pouvez maintenant déplacer la défonceuse sur la pièce pour découper un cercle.

## Utilisation du suiveur de copie (fig. P)

Le suiveur de copie vous permet de conserver une distance de découpe égale le long du bord sur des pièces de formes irrégulières.

- ◆ Placez la défonceuse sur la pièce à la distance souhaitée par rapport au bord à copier.
- ◆ Réglez les barres du sabot de guidage jusqu'à ce que la roulette soit bien en contact avec la pièce.

## Démarrage et arrêt (fig. A)

### Démarrage

- ◆ Enfoncez le bouton de blocage (2) et appuyez sur l'interrupteur de mise en marche (1).
- ◆ Relâchez le bouton de blocage.

### Arrêt

- ◆ Relâchez l'interrupteur de mise en marche.

## Conseils pour une utilisation optimale

- ◆ Lorsque vous travaillez sur des bords externes, déplacez l'outil dans le sens contraire des aiguilles d'une montre (fig. J). Lorsque vous travaillez sur des bords internes, déplacez-le dans le sens des aiguilles d'une montre.
- ◆ Utilisez des fraises HSS pour le bois mou.
- ◆ Utilisez des fraises TCT pour le bois dur.

- ◆ Vous pouvez utiliser l'outil sans guidage (fig. K). Ceci vous permet d'effectuer des travaux d'écriture et des motifs. Ne faites que des coupes peu profondes.
- ◆ Reportez-vous au tableau ci-dessous pour consulter les modèles habituels de fraises.

## Fraises (fig. L)

Description	Application
Fraise droite (1)	Rainures et encoches
Fraise à ébarbage (2)	Ebarbage des panneaux stratifiés ou du bois dur ; profilage précis avec un gabarit
Fraise à encoches (3)	Encoches sur des pièces de bois droites ou cintrées
Fraise à rainure en V (4)	Rainures, gravure et biseautage des bords
Fraise pour boîte à carotte (5)	Cannelure, gravure et moulurage de bords décoratifs
Fraise à gorge (6)	Moulurage de bords décoratifs
Fraise pour moulures en doucine (7)	Moulurage de bords décoratifs
Fraise à arrondi (8)	Arrondissement des bords
Fraise pour queue d'aronde (9)	Assemblages à queue d'aronde
Fraise à chanfrein (10)	Bords en biseau

## ENTRETIEN

Votre outil Black & Decker a été conçu pour fonctionner durablement avec un minimum d'entretien. Un fonctionnement continu satisfaisant dépend d'un nettoyage régulier et d'un entretien de l'outil approprié.



Avant d'effectuer tout entretien, éteignez et débranchez l'outil.

- ◆ Nettoyez régulièrement les orifices de ventilation de votre outil à l'aide d'une brosse douce ou d'un chiffon sec.
- ◆ Nettoyez régulièrement le carter du moteur à l'aide d'un chiffon humide. N'utilisez pas de produit abrasif ou à base de solvant.

## PROTECTION DE L'ENVIRONNEMENT



Black & Decker fournit un dispositif permettant de recycler les produits Black & Decker lorsqu'ils ont atteint la fin de leur cycle de vie. Ce service est gratuit. Pour pouvoir profiter de ce service, veuillez retourner votre produit à un réparateur agréé qui se chargera de le collecter pour nous.

Pour connaître l'adresse du réparateur agréé le plus proche de chez vous, contactez le bureau Black & Decker à l'adresse indiquée dans ce manuel. Vous pourrez aussi trouver une liste des réparateurs agréés de Black & Decker et de plus amples détails sur notre service après-vente sur le site Internet à l'adresse suivante : [www.2helpU.com](http://www.2helpU.com).

### Caractéristiques techniques

	KW850E	
Tension	V <sub>AC</sub>	230
Puissance absorbée	W	1.100
Vitesse à vide	min <sup>-1</sup>	8.000 - 28.000
Dimensions des pinces		6 mm, 1/4", 8 mm
Diamètre max. de la fraise	mm	33
Profondeur max. de coupe	mm	55
Poids	kg	3,3

## GARANTIE

Black & Decker est confiant dans la qualité de ses produits et vous offre une garantie très étendue. Ce certificat de garantie est un document supplémentaire et ne peut en aucun cas se substituer à vos droits légaux. La garantie est valable sur tout le territoire des Etats Membres de l'Union Européenne et de la Zone de Libre Echange Européenne.

Si un produit Black & Decker s'avère défectueux en raison de matériaux en mauvaises conditions, d'une erreur humaine, ou d'un manque de conformité dans les 24 mois suivant la date d'achat, Black & Decker garantit le remplacement des pièces défectueuses, la réparation des produits usés ou cassés ou remplace ces produits à la convenance du client, sauf dans les circonstances suivantes :

- ◆ Le produit a été utilisé dans un but commercial, professionnel, ou a été loué.

- ◆ Le produit a été mal utilisé ou avec négligence.
- ◆ Le produit a subi des dommages à cause d'objets étrangers, de substances ou à cause d'accidents.
- ◆ Des réparations ont été tentées par des techniciens ne faisant pas partie du service technique de Black & Decker.

Pour avoir recours à la garantie, il est nécessaire de fournir une preuve d'achat au vendeur ou à un réparateur agréé. Pour connaître l'adresse du réparateur agréé le plus proche de chez vous, contactez le bureau Black & Decker à l'adresse indiquée dans ce manuel. Vous pourrez aussi trouver une liste des réparateurs agréés de Black & Decker et de plus amples détails sur notre service après-vente sur le site Internet à l'adresse suivante : [www.2helpU.com](http://www.2helpU.com).

## AUTRES OUTILS DE BRICOLAGE

Black & Decker possède une gamme complète d'outils rendant le bricolage facile. Si vous souhaitez obtenir de plus amples renseignements sur les produits suivants, veuillez contacter notre Centre de Service et d'Information (voir la page d'adresse à la fin de ce manuel) ou vous adresser à votre revendeur Black & Decker local.

Perceuses  
 Tournevis sans fil  
 Perceuses / Tournevis sans fil  
 Ponceuses  
 Scies sauteuses  
 Scies circulaires  
 Scies à onglets  
 Meuleuses  
 Rabots  
 Défonceuses  
 Outils multifonction sans fil et avec fil  
 Décapeurs thermiques  
 Décolleuse à papier peints  
 Etablis

Nous disposons également d'une large gamme d'accessoires pour les outils mentionnés ci-dessus.

Tous les produits ne sont pas disponibles dans tous les pays.

# FRESATRICE KW850E

## CONGRATULAZIONI!

Lei ha scelto un utensile Black & Decker. Il nostro obiettivo é fornire utensili di qualità ad un prezzo contenuto. Desideriamo che questo utensile sia di suo gradimento e lo possa usare per molti anni.

## DICHIARAZIONE CE DI CONFORMITÀ



### KW850E

Black & Decker dichiara che questi utensili sono stati costruiti in conformità a:  
98/37/CEE, 89/336/CEE, 73/23/CEE,  
EN 50144, EN 55014, EN 61000

Livello di rumorosità, dati ricavati in base alla norma EN 50144:

		KW850E
$L_{pA}$	(rumorosità) dB(A)	85,5
$L_{WA}$	(potenza sonora) dB(A)	98,5



Prendere appropriate misure a protezione dell'udito qualora il livello acustico superasse gli 85 dB(A).

Il valore medio quadratico ponderato dell'accelerazione secondo EN 50144:

		KW850E
		< 2,5 m/s <sup>2</sup>

Kevin Hewitt  
Direttore di Ricerca e Sviluppo  
Spennymoor, County Durham DL16 6JG,  
United Kingdom

## USO PROGETTATO

La fresatrice Black & Decker KW850E è stata disegnata per fresare il legno e i prodotti del legno.

L'utensile é stato progettato per un uso individuale.

## ISTRUZIONI DI SICUREZZA

### Simboli di sicurezza

I seguenti simboli vengono usati nel presente manuale:



Indica rischio di infortunio, pericolo di morte o danno all'apparecchio qualora non ci si attenga alle istruzioni contenute nel presente manuale.



Indica pericolo di scossa elettrica.



Leggere attentamente il manuale prima di utilizzare l'utensile.

### Conoscere l'utensile



- ◆ **Attenzione!** Quando si impiegano utensili alimentati elettricamente, per ridurre il rischio di incendio, di scosse elettriche e danni a persone e cose è necessario seguire sempre delle precauzioni di sicurezza basilari, incluso le seguenti:
  - ◆ Prima di adoperare l'utensile, leggere attentamente le istruzioni di cui al presente manuale.
  - ◆ Prima di far funzionare l'utensile, assicuratevi di conoscere come spegnere l'utensile in caso di emergenza.
  - ◆ Conservare queste istruzioni per utilizzarle in futuro.

## Norme generali

### 1. Tenere pulita l'area di lavoro

Ambienti e banchi di lavoro in disordine possono essere causa d'incidenti.

### 2. Tener presenti le caratteristiche dell'ambiente di lavoro

Non lasciare l'utensile sotto la pioggia.

Non usare l'utensile in ambienti carichi di

umidità. Tenere ben illuminata l'area di lavoro.

Non usare l'utensile quando vi sia rischio di provocare un incendio o una esplosione, per es. in luoghi con atmosfera gassosa o infiammabile.

### 3. Tenere i bambini lontani dall'area di lavoro

Non permettere a bambini, altre persone o animali di avvicinarsi alla zona di lavoro, toccare l'utensile o il cavo di alimentazione.

### 4. Usare il vestiario appropriato

Evitare l'uso di abiti svolazzanti, catenine, ecc. in quanto potrebbero rimanere impigliati nelle parti mobili dell'utensile. Lavorando all'aperto indossare guanti di gomma e scarpe con soles antidrucciolo. Raccogliere i capelli se si portano lunghi.

### 5. Protezione personale

Indossate occhiali di sicurezza. Indossate una mascherina contro la polvere ogni volta che l'uso dell'utensile provochi polvere o schegge. Indossate cuffie acustiche quando considerate che il livello acustico sia troppo alto.

### 6. Fare attenzione alle scosse elettriche

Evitare il contatto con le superfici messe a terra (ad esempio tubi, radiatori, cuocitori e refrigeratori). La sicurezza elettrica può essere ulteriormente ampliata utilizzando un dispositivo a corrente residua (RCD) ad alta sensibilità (30 mA / 30 mS).

### 7. Non sbilanciarsi

Mantenere sempre un buon equilibrio evitando posizioni malsicure.

### 8. Stare sempre attenti

Prestare attenzione a quanto si sta facendo.

Usare il proprio buon senso. Non utilizzare l'utensile quando si è stanchi.

### 9. Bloccare il pezzo da lavorare

Usare pinze o morse per bloccare il pezzo da lavorare.

Ciò aumenta la sicurezza e consente di mantenere entrambe le mani libere per operare meglio.

### 10. Connettere l'apparecchiatura aspirapolvere

Se sono forniti i dispositivi per la connessione delle macchina aspirazione e raccolta della polvere, verificare che vengano collegati e utilizzati correttamente.

### 11. Non lasciare sull'utensile chiavi o strumenti di misura

Prima di mettere in funzione l'utensile abbiate cura di togliere chiavi e altri strumenti.

### 12. Prolunghe

Ispezionare la prolunga prima dell'uso e sostituirla se è danneggiata. Quando l'utensile viene impiegato all'esterno, usare unicamente le prolunghe per uso esterno.

### 13. Adoperare l'utensile adatto alla situazione

L'utilizzo previsto è quello indicato nel presente manuale. Non forzare utensili e accessori di potenza limitata impiegandoli per lavori destinati ad utensili di maggiore potenza. Non forzare l'utensile.

**Attenzione!** L'uso di accessori o attrezzature diversi o l'impiego del presente utensile per scopi diversi da quelli indicati nel presente manuale d'uso comportano il rischio di infortuni.

### 14. Controllare che non vi siano parti danneggiate

Prima dell'uso, ispezionare accuratamente l'utensile e il cavo elettrico per rilevare eventuali danni. Controllate se ci sono parti non allineate o parti mobili con gioco, pezzi rotti, danni alle protezioni o agli interruttori e qualsiasi altra condizione che possa ripercuotere nel funzionamento dell'utensile. Accertare che l'utensile funzioni come previsto e che venga impiegato per lo scopo per cui è stato progettato. Non usate l'utensile se presenta elementi danneggiati o difettosi. Non impiegare l'utensile se non è possibile accenderlo e spegnerlo mediante l'interruttore. Eventuali componenti difettosi o danneggiati vanno sostituiti o riparati da un tecnico autorizzato. Non tentare mai di effettuare delle riparazioni.

**15. Estrarre la spina dalla presa di alimentazione**

Estrarre la spina dalla presa di alimentazione quando l'utensile non è in uso, o prima di cambiare pezzi, accessori o complementi o prima di eseguire lavori di manutenzione.

**16. Evitate di avviare l'utensile quando non è necessario**

Non portate l'utensile con il dito sull'interruttore. Prima di collegare l'utensile alla presa, verificare che sia spento.

**17. Non forzate il cavo di collegamento elettrico**

Non sostenere mai l'utensile mediante il cavo né tirare quest'ultimo per estrarne la spina dalla presa. Mantenete il cavo lontano da fonti di calore, olio e spigoli taglienti.

**18. Conservazione dell'utensile dopo l'uso**

Quando non vengono usati, gli utensili vanno conservati in un luogo asciutto e inaccessibile (sottochiave o in alto), fuori dalla portata dei bambini.

**19. Mantenere l'utensile con cura**

Mantenere gli utensili da taglio affilati e puliti in modo da ottenere una miglior e più sicura resa. Seguire le istruzioni di manutenzione e cambio di accessori. Mantenere le impugnature e gli interruttori asciutti, puliti e senza tracce di olio o grassi.

**20. Riparazioni**

Questo utensile è conforme ai relativi requisiti di sicurezza. Le riparazioni devono essere eseguite soltanto da personale qualificato e con pezzi di ricambio originali, per evitare di esporre gli utenti a considerevoli rischi.

**Ulteriori istruzioni di sicurezza per le fresatrici**

Indossate sempre occhiali di protezione quando fate funzionare questo utensile.

- ◆ Utilizzare unicamente punte per fresare con stelo di diametro uguale alla grandezza della bussola installata sull'utensile.
- ◆ Utilizzare punte per fresare adatte alla velocità dell'utensile a vuoto.
- ◆ Non adoperare mai punte per fresare il cui diametro superi il valore massimo specificato nel capitolo sui dati tecnici.
- ◆ Non usare l'utensile capovolto.

- ◆ Non tentare di usare l'utensile in modalità fissa.
- ◆ Fare speciale attenzione quando si fresano superfici rivestite con vernici a base di piombo o fibre di media densità.
  - Indossare una mascherina di protezione specifica per fumi e polveri di vernice di piombo e verificare che anche le persone presenti o in arrivo nell'area di lavoro siano adeguatamente protette.
  - Vietare l'ingresso nell'area di lavoro a bambini o donne in gravidanza.
  - Non mangiare, bere o fumare nell'area di lavoro.
  - Eliminare la polvere e i rifiuti prendendo le necessarie misure di sicurezza.

**SICUREZZA ELETTRICA**

Il motore elettrico è stato predisposto per operare con un unico voltaggio. Assicuratevi che il voltaggio a disposizione corrisponda a quello indicato sulla targhetta.



L'utensile è fornito di doppio isolamento, in ottemperanza alla norma EN 50144, per la quale non è richiesta la messa a terra.



Per la sostituzione del cavo di alimentazione, utilizzate sempre la spina di tipo prescritto. Tipo 11 per la classe II - doppio isolamento

**Impiego di una prolunga**

Utilizzate soltanto cavi di prolunga di tipo omologato e di dimensione idonee a garantire l'alimentazione elettrica dell'utensile (vedere le caratteristiche tecniche). La dimensione minima del conduttore è 1,5 mm<sup>2</sup>. Prima dell'uso, controllare che la prolunga non presenti segni di danni, usura e invecchiamento. Una prolunga danneggiata o difettosa va sempre sostituita. Se si utilizza un avvolgitore, estrarre il cavo per l'intera lunghezza. Usare una prolunga non adatta alla corrente di ingresso dell'utensile, o una prolunga danneggiata o difettosa, può provocare rischi di incendio e di scosse elettriche.



## CONTENUTO DELLA SCATOLA

La scatola contiene:

- 1 Fresatrice
- 3 Bussole
- 1 Chiave
- 1 Guida per bordo
- 1 Adattatore di aspirazione della polvere
- 1 Perno di centraggio
- 1 Copiatore
- 1 Spessore
- 1 Guida per sagome
- 1 Libretto d'istruzioni

- ◆ Disimballate con cura tutte le parti.

## L'INSIEME (fig. A)

- 1. Interruttore acceso/spento
- 2. Pulsante di sblocco
- 3. Manopola di comando velocità variabile
- 4. Leva di blocco inclinazione
- 5. Viti di fissaggio per guida dei bordi
- 6. Bussola
- 7. Pulsante di blocco dell'alberino
- 8. Arresto profondità a revolver
- 9. Barra dell'arresto di profondità
- 10. Vite di arresto
- 11. Scala di profondità del taglio
- 12. Adattatore di aspirazione della polvere

## MONTAGGIO



Prima di tentare una delle seguenti operazioni, accertare che l'utensile sia spento, che la spina sia disinserita dalla presa e che il mandrino si sia bloccato.

### **Inserimento di una punta per fresare (fig. B)**

- ◆ Mantenere premuto il blocco del mandrino (7) e ruotare il mandrino fino ad impegnarne perfettamente il fermo.
- ◆ Allentare il dado a colletto (13) utilizzando la chiave in dotazione.
- ◆ Inserire lo stelo della punta per fresare (14) nella boccola (6). Verificare che lo stelo sporga di almeno 3 mm dalla boccola, come illustrato.
- ◆ Mantenere premuto il blocco del mandrino (7) e serrare il dado a colletto (13) mediante la chiave in dotazione.

### **Montaggio della guida per i bordi (fig. C)**

La guida per i bordi aiuta a dirigere l'utensile parallelamente ad un bordo.

- ◆ Inserire le barre (15) nella base della fresa, come mostrato.
- ◆ Collocare la guida dei bordi (10) in posizione arretrata.
- ◆ Serrare le viti di fissaggio (5).

### **Montaggio dell'adattatore per l'aspirazione della polvere (fig. D)**

L'adattatore per l'aspirazione della polvere consente di collegare un aspirapolvere all'utensile.

- ◆ Collocare l'adattatore per l'aspirazione della polvere (12) sulla base dell'utensile, come illustrato.
- ◆ Inserire le due viti (16) attraverso i fori della base e nell'adattatore.
- ◆ Inserire un dado (17) su ognuna delle viti e serrarlo a fondo.

### **Montaggio della guida per sagome (fig. M & D)**

- ◆ Installare la guida per sagome (20) sulla base della fresatrice, con la flangia rivolta in basso (=pezzo da lavorare).
- ◆ Inserire le due viti lunghe (16) dal lato inferiore attraverso la guida per sagome ed i fori nella base.
- ◆ Collocare l'adattatore per l'aspirazione della polvere in cima alla base, come illustrato nella fig. D.
- ◆ Inserire un dado (17) su ognuna delle viti e serrarlo a fondo.

### **Installazione dello spessore (fig. N)**

- ◆ Collocare lo spessore (21) sulla base della fresatrice, utilizzando le viti in dotazione.

### **Installazione del perno di centraggio (fig. O)**

- ◆ Installare sulla fresatrice la guida dei bordi, come illustrato nella fig. C, ma capovolta.
- ◆ Collocare il perno di centraggio (22) sulla guida per i bordi, lato del pezzo da lavorare, e fissare con la vite (23) in dotazione.

### **Installazione del copiatore (fig. P)**

- ◆ Installare sulla fresatrice la guida dei bordi, come illustrato nella fig. C.

- ◆ Collocare la barra a "L" (24) sul lato superiore della guida, utilizzando le due viti ed i dati in dotazione.
- ◆ Collocare l'accessorio rotante (25) sulla barra a "L", con la vite ad alette in dotazione.

## IMPIEGO



Lasciate che l'utensile lavori al proprio ritmo. Non sovraccaricarlo.

- ◆ Disporre con cura il cavo per evitare di tagliarlo involontariamente.

### **Regolazione della profondità di taglio (fig. E)**

La profondità di taglio è la distanza X tra la barra di arresto della profondità (9) e l'arresto di profondità (18). La profondità del taglio può essere impostata in due modi diversi, come descritto di seguito.

#### Regolazione della profondità di taglio con un pezzo di legno (fig. A & F)

- ◆ Montare la punta per fresare come descritto sopra.
- ◆ Allentare la vite di arresto (10).
- ◆ Tirare verso l'alto la leva di blocco inclinazione.
- ◆ Inclinare verso il basso la fresatrice finché la punta non tocca il pezzo da lavorare.
- ◆ Spingere in basso la leva di blocco inclinazione (4).
- ◆ Tirare in alto la barra di arresto della profondità (9).
- ◆ Procurarsi un pezzo di legno di spessore pari alla profondità di taglio desiderata e collocarlo tra l'arresto di profondità (18) e la barra di arresto della profondità (9).
- ◆ Serrare la vite di arresto (10).
- ◆ Togliere il pezzo di legno.
- ◆ Tirare in alto la leva di blocco profondità (4) e lasciar tornare la fresatrice alla posizione originale.
- ◆ Dopo avere acceso la fresatrice, inclinarla in basso e praticare il taglio desiderato.

#### Regolazione della profondità di taglio con la scala (fig. A & G)

- ◆ Montare la punta per fresare come descritto sopra.
- ◆ Allentare la vite di arresto (10).

- ◆ Tirare verso l'alto la leva di blocco inclinazione.
- ◆ Inclinare verso il basso la fresatrice finché la punta non tocca il pezzo da lavorare.
- ◆ Spingere in basso la leva di blocco inclinazione (4).
- ◆ Leggere sulla scala (11) la posizione iniziale.
- ◆ Aggiungere al valore della posizione iniziale la profondità di taglio desiderata.
- ◆ Spostare la barra di arresto della profondità (9) nella posizione calcolata sulla scala.
- ◆ Serrare la vite di arresto (10).
- ◆ Tirare in alto la leva di blocco profondità (4) e lasciar tornare la fresatrice alla posizione originale.
- ◆ Dopo avere acceso la fresatrice, inclinarla in basso e praticare il taglio desiderato.

### **Regolazione della guida di sostegno del supporto orientabile (fig. H)**

Girare l'arresto di profondità del supporto orientabile sull'impostazione desiderata e poi regolarne la posizione con precisione. Per eseguire svariati tagli con una profondità di taglio diversa, regolare ognuno degli arresti di profondità.

- ◆ In base alle esigenze, estrarre o inserire la vite di arresto di profondità (19) utilizzando un cacciavite.

### **Regolazione della velocità (fig. A)**

- ◆ Regolare la manopola di regolazione della velocità (3) sulla velocità desiderata. Utilizzare una velocità più alta per le punte di diametro inferiore. Utilizzare una velocità bassa per le punte di diametro maggiore.

### **Uso di un asse come guida (fig. I)**

Nei casi in cui non è possibile adoperare la guida per i bordi, ad esempio per fresare le scanalature sul pannello di sostegno di una libreria per sostenere gli scaffali, procedere come segue:

- ◆ Mettere un asse sul pezzo da lavorare.
- ◆ Spostare l'asse finché non raggiunge la posizione corretta per guidare l'utensile.
- ◆ Fermare saldamente l'asse al pezzo da lavorare.

### **Montaggio della guida per sagome (fig. M)**

La guida per sagome può essere utilizzata per ottenere un taglio a partire da una sagoma, ad esempio una lettera.

- ◆ Con del nastro biadesivo o dei morsetti a "G", fissare la sagoma sopra il pezzo da lavorare.
- ◆ La punta della fresatrice deve estendersi al di sotto della flangia della guida in modo da tagliare il pezzo secondo la sagoma.

### Uso dello spessore (fig. N)

Lo spessore può essere adoperato per rifinire proiezioni verticali in laminato o legno.

### Uso del perno di centraggio (fig. O)

Il perno di centraggio può essere utilizzato per eseguire degli intagli ad andamento circolare.

- ◆ Praticare un foro per la punta del perno di centraggio al centro del cerchio da intagliare.
- ◆ Collocare la fresa sul pezzo con la punta del perno centrale nel foro appena praticato.
- ◆ Regolare il raggio del cerchio mediante le barre della guida dei bordi.
- ◆ Ora la fresatrice può essere spostata sopra il pezzo, per tagliare il cerchio.

### Uso del copiatore (fig. P)

Il copiatore aiuta a mantenere una distanza di taglio costante lungo il bordo di pezzi di forma irregolare.

- ◆ Collocare la fresatrice sul pezzo alla distanza desiderata dal bordo da copiare.
- ◆ Regolare le barre della guida dei bordi finché la ruota non tocca il pezzo.

### Avviamento e spegnimento (fig. A)

#### Avviamento

- ◆ Tenere premuto il pulsante di sblocco (2) e premere l'interruttore on/off (1).
- ◆ Rilasciare il pulsante di sblocco.

#### Spegnimento

- ◆ Rilasciare l'interruttore on/off (1).

### Consigli per un'ottima utilizzazione

- ◆ Quando si lavora sui bordi esterni, spostare l'utensile in senso antiorario (fig. J). Quando si lavora sui bordi interni, spostare l'utensile in senso orario.
- ◆ Utilizzare le punte per fresare HSS per il legno morbido.

- ◆ Utilizzare le punte per fresare TCT per il legno duro.
- ◆ Non utilizzare mai l'utensile senza una guida (fig. K). La guida è utile per le incisioni e le applicazioni creative. Pratica solo tagli poco profondi.
- ◆ Per informazioni sui tipi di punte per fresare più diffusi, consultare la tabella seguente.

### Punte per fresare (fig. L)

Descrizione	Applicazione
Punta dritta (1)	Scanalature e smussature
Punta per rifinire (2)	Rifinitura di laminati o legno duro, profilatura di precisione utilizzando una maschera
Punta per incavare (3)	Smussatura di pezzi dritti o curvi
Punta per scanalature a V (4)	Scanalature, incisioni e ugnatura di bordi
Punta per cassa d'anima (5)	Intaglio, incisione e modanatura ornamentale
Punta per modanatura a guscio (6)	Modanatura ornamentale
Punta per modanatura a S (7)	Modanatura ornamentale
Punta per modanatura a S (8)	Arrotondamento bordi
Punta per code di rondine (9)	Giunti a coda di rondine
Punta per smusso (10)	Bordi a smusso

### MANUTENZIONE

Il vostro utensile Black & Decker é stato progettato per funzionare durante un lungo periodo di tempo con un minimo di manutenzione. Il funzionamento continuo e soddisfacente dipende dall'adeguata cura dell'utensile e da pulizie sistematiche.



Prima di eseguire qualsiasi manutenzione, spegnete l'utensile e disinseritelo dalla spina.

- ◆ Le prese di ventilazione dell'utensile vanno pulite regolarmente con un pennello morbido o un panno asciutto.
- ◆ Il vano del motore va pulito regolarmente con un panno umido. Non usare materiali abrasivi o detergenti a base di solventi.

## PROTEZIONE DELL'AMBIENTE



Black & Decker offre ai suoi clienti la possibilità di riciclare i prodotti Black & Decker che hanno esaurito la loro vita di servizio. Il servizio viene offerto gratuitamente. Per utilizzarlo, è sufficiente restituire il prodotto a qualsiasi tecnico autorizzato, incaricato della raccolta per conto dell'azienda.

Per individuare il tecnico autorizzato più vicino, rivolgersi alla sede Black & Decker locale, presso il recapito indicato nel presente manuale.

Altrimenti un elenco completo di tutti i tecnici autorizzati Black & Decker e i dettagli completi sui contatti e i servizi post-vendita sono disponibili su Internet presso: [www.2helpU.com](http://www.2helpU.com).

### Dati tecnici

	KW850E	
Tensione	$V_{AC}$	230
Potenza assorbita	W	1.100
Velocità senza carico	$\text{min}^{-1}$	8.000 - 28.000
Dimensione della bussola		6 mm, 1/4", 8 mm
Diametro max. punta per fresare	mm	33
Profondità massima di taglio	mm	55
Peso	kg	3,3

## GARANZIA

Certa della qualità dei suoi prodotti, Black & Decker offre una garanzia eccezionale. Il presente certificato di garanzia è complementare ai diritti statuari e non li pregiudica in alcun modo. La garanzia è valida entro il territorio degli Stati membri dell'Unione Europea e dell'EFTA (European Free Trade Area).

Se un prodotto Black & Decker risulta difettoso per qualità del materiale, della costruzione o per mancata conformità entro 24 mesi dalla data di acquisto, Black & Decker garantisce la sostituzione delle parti difettose, provvede alla riparazione dei prodotti se ragionevolmente usurati oppure alla loro sostituzione, in modo da ridurre al minimo il disagio del cliente a meno che:

- ◆ Il prodotto non sia stato destinato ad usi commerciali, professionali o al noleggio;

- ◆ Il prodotto non sia stato usato in modo improprio o scorretto;
- ◆ Il prodotto non abbia subito danni causati da oggetti o sostanze estranee oppure incidenti;
- ◆ Il prodotto non abbia subito tentativi di riparazione non effettuati da tecnici autorizzati né dall'assistenza Black & Decker.

Per attivare la garanzia è necessario esibire la prova comprovante l'acquisto al venditore o al tecnico autorizzato. Per individuare il tecnico autorizzato più vicino, rivolgersi alla sede Black & Decker locale, presso il recapito indicato nel presente manuale. Altrimenti un elenco completo di tutti i tecnici autorizzati Black & Decker e i dettagli completi sui contatti e i servizi post-vendita sono disponibili su Internet presso: [www.2helpU.com](http://www.2helpU.com).

## ALTRI UTENSILI PER L'HOBBISTICA

La Black & Decker ha una gamma completa di utensili che rendono semplice l'hobbistica. Se desiderate ulteriori informazioni sui seguenti prodotti, Vi preghiamo di contattare il nostro Centro di Servizio ed Informazione (vedere la pagina con l'indirizzi verso la fine di questo libretto) o il vostro rivenditore Black & Decker.

Trapani  
Svitavvita a batteria  
Trapani/avvitatori a batteria  
Levigatrici  
Seghetti alternativi  
Seghe circolari  
Troncatrici  
Smerigliatrici  
Pialle  
Fresatrici  
Utensili multifunzione elettrici ed a batteria  
Pistole termiche  
Banchi di lavoro

Abbiamo inoltre una vasta gamma di accessori per questi utensili.

Non tutti i prodotti sono in vendita in tutti i paesi.

# BOVENFREES KW850E

## GEFELICITEERD!

U heeft gekozen voor een machine van Black & Decker. Ons doel is om kwaliteitsproducten te leveren tegen een betaalbare prijs. Wij vertrouwen erop dat u aan het gebruik van deze machine jarenlang plezier zult beleven.

## EG-VERKLARING VAN OVEREENSTEMMING



### KW850E

Black & Decker verklaart dat deze elektrische machines in overeenstemming zijn met: 98/37/EEG, 89/336/EEG, 73/23/EEG, EN 50144, EN 55014, EN 61000

Niveau van de geluidsdruk, gemeten volgens EN 50144:

		KW850E
$L_{pA}$	(geluidsdruk) dB(A)	85,5
$L_{WA}$	(geluidsvermogen) dB(A)	98,5



Neem de vereiste maatregelen voor gehoorbescherming wanneer de geluidsdruk het niveau van 85 dB(A) overschrijdt.

Gewogen kwadratische gemiddelde waarde van de versnelling overeenkomstig EN 50144:

		KW850E
		< 2,5 m/s <sup>2</sup>

Kevin Hewitt

Director of Consumer Engineering  
Spennymoor, County Durham DL16 6JG,  
United Kingdom

## GEBRUIK VOLGENS BESTEMMING

Uw Black & Decker KW850E bovenfrees is ontwikkeld voor het frezen van hout en houtproducten.

Deze machine is uitsluitend bestemd voor consumentengebruik.

## VEILIGHEIDSVOORSCHRIFTEN

### Pictogrammen

In deze handleiding worden de volgende pictogrammen gebruikt:



Duidt op mogelijk lichamelijk letsel, levensgevaar of kans op beschadiging van de machine indien de instructies in deze handleiding worden genegeerd.



Geeft elektrische spanning aan.



Lees de handleiding voordat u met de machine gaat werken.

### Ken uw machine



- ◆ **Waarschuwing!** Bij het gebruik van elektrische machines dienen ter bescherming tegen brandgevaar, elektrische schokken, letsel en materiële schade altijd gepaste veiligheidsmaatregelen in acht te worden genomen, waaronder de volgende veiligheidsvoorschriften.
- ◆ Lees de gebruiksaanwijzing aandachtig door voordat u met de machine gaat werken.
- ◆ Zorg ervoor dat u voor gebruik weet hoe u de machine in geval van nood uitschakelt.
- ◆ Bewaar deze instructies zorgvuldig!

## Algemeen

1. **Zorg voor een opgeruimde werkomgeving**  
Een rommelige werkomgeving leidt tot ongelukken.
2. **Houd rekening met omgevingsinvloeden**  
Stel de machine niet bloot aan regen. Gebruik de machine niet in een vochtige of natte omgeving. Zorg dat de werkomgeving goed is verlicht. Gebruik de machine niet op plaatsen waar brand- of explosiegevaar bestaat, b.v. in de buurt van brandbare vloeistoffen of gassen.
3. **Houd kinderen uit de buurt**  
Houd kinderen, bezoekers en dieren buiten het werkgebied en laat ze de machine of de elektriciteitskabel niet aanraken.
4. **Draag geschikte werkkleding**  
Draag geen wijde kleding of loshangende sieraden. Deze kunnen door de bewegende delen worden gegrepen. Draag bij het werken buitenshuis bij voorkeur rubber werkhandschoenen en schoenen met profielzolen. Houd lang haar bijeen.
5. **Persoonlijke bescherming**  
Draag altijd een veiligheidsbril. Draag een gezichts- of stofmasker bij werkzaamheden waarbij stofdeeltjes vrijkomen. Draag altijd gehoorbescherming als het geluidsniveau onaangenaam hoog is.
6. **Bescherming tegen elektrische schokken**  
Voorkom aanraking van geaarde oppervlakken (bijv. buizen, radiatoren, fornuizen en koelkasten). Elektrische veiligheid kan verder worden verbeterd met behulp van een hooggevoelige (30 mA / 30 mS) reststroomschakelaar (RCD).
7. **Zorg voor een veilige houding**  
Zorg altijd voor een juiste, stabiele houding.
8. **Blijf voortdurend opletten**  
Houd uw aandacht bij uw werk. Ga met verstand te werk. Gebruik de machine niet als u niet geconcentreerd bent.
9. **Klem het werkstuk goed vast**  
Gebruik klemmen of een bankschroef om het werkstuk te fixeren. Dit is veiliger, bovendien kan de machine dan met beide handen worden bediend.
10. **Sluit de uitrusting van de stofafvoer aan**  
Indien hulpmiddelen zijn meegeleverd voor de aansluiting van stofafvoer en voorzieningen voor stofopvang, zorg dan dat deze zijn aangesloten en naar behoren worden gebruikt.
11. **Verwijder sleutels en hulpgereedschappen**  
Controleer vóór het inschakelen altijd of sleutels en andere hulpgereedschappen zijn verwijderd.
12. **Verlengsnoeren**  
Inspecteer voor gebruik het verlengsnoer. Vervang het snoer indien het beschadigd is. Maak bij gebruik buitenshuis uitsluitend gebruik van verlengsnoeren die geschikt zijn voor gebruik buitenshuis.
13. **Gebruik de juiste machine**  
Het gebruik volgens bestemming is beschreven in deze handleiding. Gebruik geen te lichte machine of hulpstukken voor te zwaar werk. De machine werkt beter en veiliger indien u deze gebruikt voor het beoogde doel. Overbelast de machine niet.  
**Waarschuwing!** Gebruik ter voorkoming van lichamelijk letsel uitsluitend de in deze gebruiksaanwijzing aanbevolen accessoires en hulpstukken. Gebruik de machine uitsluitend volgens bestemming.
14. **Controleer de machine op beschadigingen**  
Controleer de machine voor gebruik op schade. Controleer of alle bewegende delen correct gemonteerd zijn, of er geen onderdelen gebroken zijn, of er geen beschermkappen en schakelaars beschadigd zijn en of er andere gebreken zijn die invloed op de werking van de machine zouden kunnen hebben. Vergewis u ervan dat de machine correct werkt. Gebruik de machine niet als enig onderdeel defect is. Gebruik de machine niet als de aan/uit-schakelaar niet werkt. Defecte onderdelen dienen door een erkend servicecentrum te worden gerepareerd of vervangen. Probeer nooit om de machine zelf te repareren.
15. **De stekker uit het stopcontact verwijderen**  
Verwijder de stekker uit het stopcontact als u de machine niet gebruikt, voordat u gereedschappen, accessoires of onderdelen van de machine verwisselt en voordat u onderhoud aan de machine uitvoert.

### 16. Voorkom onbedoeld inschakelen

Draag de machine niet met uw vingers aan de aan/uit-schakelaar. Wees ervan verzekerd dat de machine is uitgeschakeld voordat u de stekker in het stopcontact steekt.

### 17. Misbruik het snoer niet

Draag de machine nooit aan het snoer. Trek niet aan het snoer om de stekker uit het stopcontact te verwijderen. Houd het snoer uit de buurt van warmtebronnen, olie en scherpe randen.

### 18. Berg de machine veilig op

Indien niet in gebruik, dienen machines te worden opgeborgen in een droge, afsluitbare of hoge plaats, buiten bereik van kinderen.

### 19. Onderhoud de machine met zorg

Houd snijgereedschappen scherp en schoon om beter en veiliger te kunnen werken. Houdt u aan de instructies met betrekking tot het onderhoud en het vervangen van accessoires. Houd de handgrepen en schakelaars droog en vrij van olie en vet.

### 20. Reparaties

Deze machine voldoet aan de geldende veiligheidseisen. Reparaties mogen uitsluitend worden uitgevoerd door bevoegde vakmensen en met behulp van originele reserveonderdelen; anders kan er een aanzienlijk gevaar voor de gebruiker ontstaan.

### Aanvullende veiligheidsinstructies voor bovenfrezers



Draag een veiligheidsbril als u deze machine bedient.

- ◆ Gebruik alleen freesbits met een schachtdiameter gelijk aan de afmeting van de spantang in het gereedschap.
- ◆ Gebruik alleen freesbits die geschikt zijn voor de onbelaste snelheid van het gereedschap.
- ◆ Gebruik nooit freesbits met een diameter die groter is dan de maximum diameter zoals gespecificeerd in de sectie technische gegevens
- ◆ Gebruik de machine niet in een omgekeerde stand.
- ◆ Probeer niet de machine in stationaire stand te gebruiken.

- ◆ Wees extra voorzichtig bij het frezen van MDF of oppervlakken behandeld met loodhoudende verf.
  - Draag een stofmasker dat speciaal ontworpen is ter bescherming tegen loodverfstof en -damp en verzeker u ervan dat andere personen op de werkvloer of die de werkvloer betreden eveneens beschermd zijn.
  - Kinderen en zwangere vrouwen mogen de werkvloer niet betreden.
  - Eten, drinken en roken op de werkvloer is niet toegestaan.
  - Verwijder stof en ander afval op veilige en verantwoorde wijze.

### ELEKTRISCHE VEILIGHEID

De elektromotor is ontwikkeld voor een bepaalde netspanning. Controleer altijd of uw netspanning overeenkomt met de waarde op het typeplaatje.



Deze machine is dubbel geïsoleerd overeenkomstig EN 50144. Een aarddraad is daarom niet vereist.

### Gebruik van verlengsnoeren

Gebruik een goedgekeurd verlengsnoer dat geschikt is voor het vermogen van de machine (zie technische gegevens). De aders moeten minimaal een doorsnede hebben van 1,5 mm<sup>2</sup>. Controleer het verlengsnoer voor gebruik op beschadiging, veroudering en slijtage. Vervang een beschadigd of defect verlengsnoer. Wanneer het verlengsnoer op een haspel zit, rol het snoer dan helemaal af. Als u een verlengsnoer gebruikt dat niet geschikt is voor het vermogen van de machine, of dat beschadigd of kapot is, dan riskeert u brand of een elektrische schok.

### INHOUD VAN DE VERPAKKING

De verpakking bevat:

- 1 Bovenfrees
- 3 Spantangen
- 1 Steeksleutel
- 1 Kantengeleider
- 1 Stofafzuigadapter
- 1 Centreerpen
- 1 Kopieergeleider
- 1 Afstandsplaat

- 1 Sjabloongeleader
- 1 Handleiding

- ◆ Pak zorgvuldig alle onderdelen uit.

## OVERZICHT (fig. A)

1. Aan/uit-schakelaar
2. Ontgrendelingsknop
3. Snelheidsinstelknop
4. Vergrendelingshendel
5. Bevestigingsschroeven voor kantengeleider
6. Spantang
7. Spindelvergrendelingsknop
8. Drievoudige diepteaanslag
9. Diepteaanslagstaaf
10. Borgschroef
11. Schaalaanduiding voor zaagdiepte
12. Stofafzuigadapter

## MONTAGE



Zorg vóór aanvang van de volgende handelingen dat de machine is uitgeschakeld en de netstekker van het lichtnet is losgekoppeld en dat de as stil staat.

### Bevestigen van een freesbit (fig. B)

- ◆ Houd de asvergrendeling (7) ingedrukt en draai de as totdat de asvergrendeling volledig inkomt.
- ◆ Draai de spanmoer (13) los met de meegeleverde steeksleutel.
- ◆ Steek de schacht van de freesbit (14) in de spantang (6). Zorg er voor dat de schacht tenminste 3 mm uit de spantang steekt, zoals afgebeeld.
- ◆ Houd de asvergrendeling (7) ingedrukt en draai de spanmoer (13) vast met de meegeleverde steeksleutel.

### Bevestigen van de kantengeleider (fig. C)

De kantengeleider geleidt de machine evenwijdig aan een rand.

- ◆ Steek de staven (15) in de freesplaat zoals afgebeeld.
- ◆ Stel de kantengeleider af op de gewenste afstand.
- ◆ Draai de bevestigingsschroeven (5) vast.

### Bevestigen van de stofafzuigadapter (fig. D)

Met de stofafzuigadapter kunt u een stofzuiger op de machine aansluiten.

- ◆ Plaats de stofafzuigadapter (12) op de freesplaat zoals afgebeeld.
- ◆ Steek de twee schroeven (16) van onderaf door de gaten in de plaat en in de stofafzuigadapter.
- ◆ Plaats een moer (17) op elk van de schroeven en draai de moeren goed vast.

### Bevestigen van de sjabloongeleader (fig. M & D)

- ◆ Bevestig de sjabloongeleader (20) aan de freesplaat, met de flens aan de onder (=werkstuk) zijde.
- ◆ Steek de twee lange schroeven (16) van onderaf door de sjabloongeleader en de gaten in de freesplaat.
- ◆ Plaats de stofafzuigadapter op de freesplaat zoals afgebeeld in fig. D.
- ◆ Plaats een moer (17) op elk van de schroeven en draai de moeren goed vast.

### Bevestigen van het afstandsstuk (fig. N)

- ◆ Bevestig het afstandsstuk (21) aan de freesplaat met de meegeleverde schroeven.

### Bevestigen van de centreerpen (fig. O)

- ◆ Bevestig de kantengeleider aan de bovenfrees zoals afgebeeld in fig. C, maar ondersteboven.
- ◆ Bevestig de centreerpen (22) aan de werkstukzijde van de kantengeleider met de meegeleverde schroef (23).

### Bevestigen van de kopieergeleider (fig. P)

- ◆ Bevestig de kantengeleider aan de bovenfrees zoals afgebeeld in fig. C.
- ◆ Bevestig de 'L' beugel (24) aan de bovenkant van de kantengeleider met de twee meegeleverde schroeven en moeren.
- ◆ Bevestig het loopwiel (25) aan de 'L' beugel met de meegeleverde vleugelschroef.

## GEBRUIK



Laat de machine op eigen tempo werken. Niet overbelasten.



- ◆ Geleid de kabel zorgvuldig om te voorkomen dat u deze per ongeluk doorsnijdt.

### **Instellen van de freesdiepte (fig. F)**

De freesdiepte is de afstand X tussen de diepteaanslagstaaf (9) en de diepteaanslag (18). De freesdiepte kan op twee verschillende manieren worden ingesteld, zoals hieronder wordt beschreven.

#### **Afstellen van de freesdiepte met een stuk hout (fig. A & F)**

- ◆ Monteer de freesbit zoals hierboven beschreven.
- ◆ Draai de borgschroef (10) los.
- ◆ Draai the vergrendelingshendel (4) omhoog).
- ◆ Beweeg de bovenfrees naar beneden totdat de freesbit het werkstuk raakt.
- ◆ Duw de vergrendelingshendel (4) naar beneden.
- ◆ Trek de diepteaanslagstaaf (9) omhoog.
- ◆ Plaats een stuk hout met een dikte gelijk aan de gewenste freesdiepte tussen de diepteaanslag (18) en de diepteaanslagstaaf (9).
- ◆ Draai de borgschroef (10) vast.
- ◆ Verwijder het stuk hout.
- ◆ Trek de vergrendelingshendel (4) omhoog en laat de bovenfrees naar de uitgangspositie terugkomen.
- ◆ Zet de bovenfrees aan. Beweeg hem naar beneden en maak de gewenste snede.

#### **Afstellen van de freesdiepte met de schaal aanduiding (fig. A & G)**

- ◆ Monteer de freesbit zoals hierboven beschreven.
- ◆ Draai de borgschroef (10) los.
- ◆ Draai the vergrendelingshendel (4) omhoog).
- ◆ Beweeg de bovenfrees naar beneden totdat de freesbit het werkstuk raakt.
- ◆ Duw de vergrendelingshendel (4) naar beneden.
- ◆ Lees de startpositie van de schaal (11) af.
- ◆ Voeg de gewenste freesdiepte aan de startpositie toe.
- ◆ Schuif de diepteaanslagstaaf (9) naar de berekende positie op de schaal.
- ◆ Draai de borgschroef (10) vast.
- ◆ Trek de vergrendelingshendel (4) omhoog en laat de bovenfrees naar de uitgangspositie terugkomen.
- ◆ Zet de bovenfrees aan. Beweeg hem naar beneden en maak de gewenste snede.

### **Afstellen van de drievoudige diepteaanslag (fig.H)**

Nadat u de drievoudige diepteaanslag op de gewenste waarde heeft gedraaid, kunt u de te gebruiken diepteaanslag fijn-afstellen. Als u meerdere snedes wilt maken met verschillende freesdieptes, moet u elke diepteaanslag afstellen.

- ◆ Draai de diepteaanslagschroef (19) naar wens naar boven of beneden met een schroevendraaier.

### **Instellen van de snelheid (fig. A)**

- ◆ Zet de snelheidsregelknop (3) op de gewenste snelheid. Gebruik een hoge snelheid voor freesbits met een kleine diameter. Gebruik een lage snelheid voor freesbits met een grote diameter.

### **Een lat gebruiken als geleider (fig. I)**

Indien het niet mogelijk is om de kantengeleider te gebruiken (bijvoorbeeld tijdens het frezen van groeven voor het ondersteunen van kastplanken), gaat u als volgt tewerk:

- ◆ Plaats een lat ophet werkstuk.
- ◆ Beweeg de lat totdat deze in de juiste positie is om de machine te geleiden.
- ◆ Klem de lat goed vast op het werkstuk.

### **De sjabloongeleider gebruiken (fig. M)**

De sjabloongeleider kan gebruikt worden om de vorm van een sjabloon uit te frezen, bijvoorbeeld een letter.

- ◆ Bevestig de sjabloon stevig op het werkstuk met dubbelzijdig plakband of met lijmtangen.
- ◆ De freesbit moet beneden de flens van de sjabloongeleider uitsteken, om de vorm van de sjabloon in het werkstuk te frezen.

### **Het afstandsstuk gebruiken (fig. N)**

Het afstandsstuk kan worden gebruikt voor het affrezen van houten of laminaten verticale uitsteeksels.

### **De centreerpen gebruiken (fig. O)**

De centreerpen kan worden gebruikt om cirkelpatronen uit te frezen.

- ◆ Boor een gat voor de punt van de centreerpen in het middelpunt van de uit te frezen cirkel.

- ◆ Plaats de bovenfrees op het werkstuk met de punt van de centreerpen in het geboorde gat.
- ◆ Stel de straal van de cirkel af met de stangen van de kantengeleider.
- ◆ De bovenfrees kan nu over het werkstuk worden bewogen om de cirkel uit te frezen.

### De kopieergeleider gebruiken (fig. P)

Met de kopieergeleider kunt u een gelijke freesafstand langs de rand van onregelmatig gevormde werkstukken aanhouden.

- ◆ Plaats de bovenfrees op het werkstuk op de gewenste afstand van de te kopiëren rand.
- ◆ Stel de staven van de kantengeleider zo af dat het wiel het werkstuk raakt.

### Aan- en uitschakelen (fig. A)

#### Inschakelen

- ◆ Houd de ontgrendelingsknop (2) ingedrukt, terwijl u de aan/uit-schakelaar (1) indrukt.
- ◆ Laat de ontgrendelingsknop los.

#### Uitschakelen

- ◆ Laat de aan/uit-schakelaar los.

### Tips voor optimaal gebruik

- ◆ Bij het frezen van buitenkanten de machine tegen de klok in bewegen (fig. J). Bij het frezen van binnenkanten de machine met de klok mee bewegen.
- ◆ Gebruik HSS (snelstaal) freesbits voor het frezen van zacht hout.
- ◆ Gebruik TCT (hardmetaal) freesbits voor het frezen van hardhout.
- ◆ De machine kan zonder geleider worden gebruikt (fig. K). Dit is nuttig voor het maken van letters en creatief werk. Maak uitsluitend ondiepe snedes.
- ◆ Zie onderstaande tabel voor gangbare types freesbits.

### Freesbits (fig. L)

Beschrijving	Toepassing
Rechte frees (1)	Groeven en sponningen
Rechte frees (2)	Affrezen van laminaten en hardhout; nauwkeurig profielfrezen met een sjabloon
Sponningfrees (3)	Sponningen in rechte of gekromde werkstukken
V-groeffrees (4)	Groeven, graveerwerk en afschuiningen
Holle groeffrees (5)	Uithollen, graveerwerk en decoratief kantenfrezen
Bolle frees (6)	Decoratief kantenwerk
Ogieffrees	Decoratief kantenwerk
Afrondfrees (8)	Afronden van kanten
Zwaluwstaartfrees (9)	Zwaluwstaartverbindingen
Afschuinfrees (10)	Afschuiningen

### ONDERHOUD

Uw Black & Decker machine is ontworpen om gedurende een langere periode te functioneren met een minimum aan onderhoud.

Voortdurend tevreden gebruik is afhankelijk van correct onderhoud en regelmatig schoonmaken.



Zorg vóór aanvang van onderhoudswerkzaamheden dat de machine is uitgeschakeld en de netstekker van het lichtnet is losgekoppeld.

- ◆ Reinig regelmatig de ventilatieopeningen van uw machine met een zachte borstel of een droge doek.
- ◆ Reinig regelmatig de behuizing van de motor met een vochtige doek. Gebruik geen schuur- of oplosmiddel.

### MILIEU



Black & Decker biedt de mogelijkheid tot recyclen van afgedankte Black & Decker producten. Deze service is kosteloos. Om gebruik van deze service te maken, dient u het product aan een van onze servicecentra te sturen, die voor ons de inzameling verzorgen.

U kunt het adres van het dichtstbijzijnde servicecentrum opvragen via de adressen op de achterzijde van deze handleiding. U kunt ook een lijst van onze servicecentra en meer informatie m.b.t. onze klantenservice vinden op het volgende Internet-adres: [www.2helpU.com](http://www.2helpU.com).

### Technische gegevens

		KW850E
Spanning	V <sub>AC</sub>	230
Opgenomen vermogen	W	1.100
Onbelast toerental	min <sup>-1</sup>	8.000 - 28.000
Spantang maat		6 mm, 1/4", 8 mm
Max. diameter freesbit	mm	33
Max. freesdiepte	mm	55
Gewicht	kg	3,3

### GARANTIE

Black & Decker heeft vertrouwen in zijn producten en biedt een uitstekende garantie.

Deze garantiebepalingen vormen een aanvulling op uw wettelijke rechten en beperken deze niet. De garantie geldt in de lidstaten van de Europese Unie en de Europese Vrijhandelsassociatie.

Mocht uw Black & Decker product binnen 24 maanden na datum van aankoop defect raken tengevolge van materiaal- of constructiefouten, dan garanderen wij de kosteloze vervanging van defecte onderdelen, de reparatie van het product of de vervanging van het product, tenzij:

- ◆ Het product is gebruikt voor handelsdoeleinden, professionele toepassingen of verhuurdoeleinden;
- ◆ Het product onoordeelkundig is gebruikt;
- ◆ Het product is beschadigd door invloeden van buitenaf of door een ongeval;
- ◆ Reparaties zijn uitgevoerd door anderen dan onze servicecentra of Black & Decker personeel.

Om een beroep op de garantie te doen, dient u een aankoopbewijs te overhandigen aan de verkoper of een van onze servicecentra. U kunt het adres van het dichtstbijzijnde servicecentrum opvragen via de adressen op de achterzijde van deze handleiding. U kunt ook een lijst van onze servicecentra en meer informatie m.b.t. onze klantenservice vinden op het volgende Internet-adres: [www.2helpU.com](http://www.2helpU.com).

### ANDERE MACHINES VOOR DOE-HET-ZELVERS

Black & Decker heeft een compleet assortiment aan machines die het de doe-het-zelver gemakkelijk maken. Als u meer informatie over de volgende producten wenst, neemt u dan contact op met ons Service- en Informatiecentrum (zie de adrespagina aan het eind van deze handleiding) of uw plaatselijke Black & Decker detailhandelaar.

Boormachines  
 Accu-schroevendraaiers  
 Accu-schroef/boormachines  
 Schuurmachines  
 Decoupeerzagen  
 Cirkelzagen  
 Verstekzaagmachines  
 Haakse slijpers  
 Schaafmachines  
 Bovenfrezers  
 Multifunctionele machines met of zonder snoer  
 Verfstrippers  
 Workmates

We hebben ook een uitgebreid assortiment aan accessoires voor de bovengenoemde machines.

Niet ieder product is verkrijgbaar in alle landen.

## FRESADORA KW850E

### ¡ENHORABUENA!

Ha escogido una herramienta Black & Decker. Nuestro objetivo es ofrecerle herramientas de calidad a un precio asequible y estamos seguros que podrá disfrutar de esta herramienta durante muchos años.

### DECLARACIÓN CE DE CONFORMIDAD



#### KW850E

Black & Decker certifica que estas herramientas eléctricas han sido construidas de acuerdo a las normas siguientes: 98/37/CEE, 89/336/CEE, 73/23/CEE, EN 50144, EN 55014, EN 61000

El nivel de la presión acústica, medida de acuerdo con EN 50144:

		KW850E
$L_{pA}$	(presión acústica) dB(A)	85,5
$L_{WA}$	(potencia acústica) dB(A)	98,5



Tome medidas adecuadas para proteger sus oídos cuando la presión acústica exceda el valor de 85 dB(A).

Valor cuadrático medio ponderado en frecuencia de la aceleración según EN 50144:

		KW850E
		< 2,5 m/s <sup>2</sup>

Kevin Hewitt  
 Director de Ingeniería  
 Spennymoor, County Durham DL16 6JG,  
 United Kingdom

### FINALIDAD

Su fresadora Black & Decker KW850E ha sido diseñada para burilar madera y derivados de la madera.

Esta herramienta está pensada únicamente para uso doméstico.

### INSTRUCCIONES DE SEGURIDAD

#### Pictogramas

En el presente manual figuran los pictogramas siguientes:



Indica peligro de lesiones, de accidentes mortales o de averías en la herramienta en caso de no respeto de las instrucciones en este manual.



Indica tensión eléctrica.



Lea el manual antes de utilizar la herramienta.

#### Conozca su herramienta



- ◆ **¡Atencion!** Cuando use herramientas eléctricas, debe seguir siempre las precauciones de seguridad básicas, incluidas las siguientes, a fin de reducir el riesgo de incendios, electrocución, lesiones personales y daños materiales.
- ◆ Lea completamente este manual antes de utilizar la herramienta.
- ◆ Antes de poner en marcha la herramienta, compruebe que sabe cómo desconectarla en caso de emergencia.
- ◆ Mantenga a mano este manual para consultas posteriores.

## Generalidades

1. **Mantenga limpia el área de trabajo**  
Un área o un banco de trabajo en desorden aumentan el riesgo de accidentes.
2. **Tenga en cuenta el entorno del área de trabajo**  
No esponga herramientas a la humedad. Procure que el área de trabajo esté bien iluminada. No utilice la herramienta donde exista riesgo de incendio o explosión, p. ej. en la proximidad de líquidos o gases inflamables.
3. **¡Mantenga alejados a los niños!**  
No permita que niños, otras personas o animales se acerquen al área de trabajo ni toquen la herramienta o el cable de corriente.
4. **Vista ropa de trabajo apropiada**  
No lleve vestidos anchos ni joyas. Estos podrían ser atrapados por piezas en movimiento. Para trabajos en el exterior, se recomienda llevar guantes de goma y calzado de suela antideslizante. Si tiene el pelo largo, téngalo recogido y cubierto.
5. **Protección personal**  
Lleve gafas de protección. Utilice una mascarilla si el trabajo ejecutado produce polvo u otras partículas volantes. Lleve protectores para los oídos cuando el ruido pueda resultar molesto.
6. **Protéjase contra la electrocución**  
Evite que su cuerpo haga contacto con objetos conectados a tierra (p. ej. tuberías, radiadores, frigoríficos y electrodomésticos en general). Se puede incrementar la seguridad eléctrica utilizando disyuntores de alta sensibilidad (30 mA / 30 mS) para detectar corrientes de fuga.
7. **No alargue demasiado su radio de acción**  
Mantenga un apoyo firme sobre el suelo y conserve el equilibrio en todo momento.
8. **Esté siempre alerta**  
Mire lo que está haciendo. Use el sentido común. No maneje la herramienta cuando está cansado.
9. **Sujete bien la pieza de trabajo**  
Utilice abrazaderas o un torno para sujetar la pieza de trabajo. Es más seguro que sujetarla con la mano y le permite utilizar ambas manos para manejar la herramienta.
10. **Conecte los accesorios para la extracción de polvo.**  
Si se suministran adaptadores para la conexión de accesorios extractores y para el almacenamiento del polvo, asegúrese de que se conectan y utilizan adecuadamente.
11. **Retire las llaves de maniobra**  
Antes de poner la herramienta en marcha, asegúrese de que las llaves y utensilios de reglaje hayan sido retirados.
12. **Cables alargadores**  
Revise el cable alargador antes de utilizarlo por si presenta desperfectos. Al utilizar las herramientas en exteriores, utilice exclusivamente aquellos cables prolongadores diseñados para estas condiciones.
13. **Utilice la herramienta adecuada**  
En este manual se explica para qué uso está destinada la herramienta. No utilice herramientas o dispositivos acoplables de potencia demasiado débil para ejecutar trabajos pesados. La herramienta funcionará mejor y con mayor seguridad al ser utilizada de acuerdo con sus características técnicas. No fuerce la herramienta.  
**¡Atencion!** El uso de otros accesorios, adaptadores, o la propia utilización de la herramienta en cualquier forma diferente de las recomendadas en este manual de instrucciones puede constituir un riesgo de lesiones a las personas.
14. **Compruebe que no haya piezas averiadas**  
Antes de usarla, compruebe cuidadosamente que la herramienta y el cable de corriente no presenten desperfectos. Compruebe la posible existencia de piezas móviles mal alineadas o atascadas, la rotura de piezas, el posible daño de protectores e interruptores y cualquier otro aspecto que pueda afectar al funcionamiento de la herramienta. Asegúrese de que la herramienta puede funcionar adecuadamente y cumplir con el cometido para el que ha sido diseñada. No use la herramienta si hay alguna pieza defectuosa o averiada. No utilice la herramienta si no es posible apagar y encender el interruptor. Encargue al servicio técnico autorizado que repare o sustituya las piezas defectuosas o averiadas. Jamás intente repararla usted mismo.

## 15. Desenchufe la herramienta

Desenchufe la herramienta cuando no esté usando la herramienta, antes de sustituir piezas, accesorios o acoplamientos, y antes de efectuar revisiones.

## 16. Evite un arranque involuntario

Procure no tocar el conmutador de encendido/apagado mientras transporta la herramienta. Asegúrese de que la herramienta esté apagada cuando la enchufe.

## 17. Cuide el cable de alimentación

No arrastre la herramienta tirando del cable, ni tire del cable para desenchufarlo. Proteja el cable del calor, del aceite y de las aristas vivas.

## 18. Guarde las herramientas que no utiliza

Cuando no las utilice, las herramientas deben guardarse en un lugar seco y cerrado o elevado, fuera del alcance de los niños.

## 19. Mantenga las herramientas asiduamente

Mantenga sus herramientas afiladas y limpias para trabajar mejor y más seguro. Siga las instrucciones para el mantenimiento y la sustitución de accesorios. Mantenga los mandos y conmutadores secos, limpios y libres de aceite y grasa.

## 20. Reparaciones

Esta herramienta cumple las normas de seguridad aplicables. Las reparaciones deben llevarse a cabo por personal cualificado, usando piezas de recambio originales; en caso contrario, podría ocasionarse un considerable riesgo para el usuario.

### Instrucciones de seguridad adicionales para fresadoras



Lleve gafas protectoras cuando utilice esta herramienta.

- ◆ Utilice solamente brocas de burilar cuyo diámetro de vástago sea igual al tamaño del collarín instalado en la herramienta.
- ◆ Utilice solamente brocas de burilar que se adecúen a la velocidad sin carga de la herramienta.

- ◆ No utilice nunca brocas de burilar cuyo diámetro sea superior al máximo especificado en la sección dedicada a información sobre características técnicas.
- ◆ No use la herramienta en posición invertida.
- ◆ No trate de utilizar la herramienta en modo estático.
- ◆ Tenga un cuidado especial al burilar MDF o superficies que estén revestidas con pintura que pueda contener plomo:
  - Utilice una mascarilla contra el polvo diseñada específicamente para proteger contra el polvo y las emanaciones de pinturas con plomo, y asegúrese de que las demás personas que se encuentren dentro de, o que penetren en el área de trabajo también esté protegidas.
  - No permita la entrada de niños ni de mujeres embarazadas al área de trabajo.
  - No ingiera alimentos ni bebidas, ni fume en el área de trabajo.
  - Deshágase de las partículas de polvo y demás residuos de un modo seguro.

### SEGURIDAD ELÉCTRICA

El motor eléctrico ha sido diseñado para un solo voltaje. Compruebe siempre que el voltaje de la red corresponde al valor indicado en la placa de características.



La herramienta tiene doble aislamiento, conforme a la norma EN 50144; por consiguiente, no se requiere conexión a tierra.

### Utilización de un cable de prolongación

Use un cable de prolongación aprobado, adecuado para la potencia de esta herramienta (véanse las características técnicas). La sección mínima de conductor es de 1,5 mm<sup>2</sup>. Antes de utilizar la herramienta, revise el cable de alimentación de corriente para ver si presenta indicios de daños, envejecimiento o desgaste. Reemplace el cable alargador si estuviera dañado o defectuoso. Si utiliza un carrete de cable, desenrolle siempre el cable completamente. El empleo de cable de prolongación no adecuado para la entrada de corriente de la herramienta, o cable dañado o defectuoso, puede dar lugar a posibles incendios o descargas eléctricas.

## CONTENIDO DE LA CAJA

La caja contiene:

- 1 Fresadora
- 3 Collarines
- 1 Llave
- 1 Guía para ribetear
- 1 Adaptador para la extracción del polvo
- 1 Pasador de centrado
- 1 Copiador
- 1 Placa de separación
- 1 Guía de plantilla
- 1 Manual de instrucciones

- ◆ Desembale con cuidado todas las piezas.

## VISTA GENERAL (fig. A)

1. Conmutador ON/OFF (encendido/apagado)
2. Botón de desbloqueo
3. Selector de control de velocidad variable
4. Palanca de bloqueo del torno
5. Tornillos de fijación para la guía de ribetear
6. Collarín
7. Botón de bloqueo del eje
8. Tope de profundidad del elemento giratorio
9. Barra de tope de profundidad
10. Tornillo de bloqueo
11. Escala de profundidad de corte
12. Adaptador para la extracción del polvo

## MONTAJE



Antes de intentar realizar cualquiera de las operaciones siguientes, asegúrese de que la herramienta está desconectada y desenchufada, así como de que el husillo se haya detenido.

### Ajuste de brocas de burilar (fig. B)

- ◆ Mantenga presionado el bloqueo del husillo (7) y gire el husillo hasta que el bloqueo se enganche completamente.
- ◆ Afloje la tuerca del collarín (13) empleando la llave suministrada.
- ◆ Introduzca el vástago de la broca de burilar (14) en el collarín (6). Asegúrese de que el vástago sobresale al menos 3 mm del collarín tal y como se muestra.

- ◆ Mantenga pulsado el cierre del husillo (7) y apriete la tuerca del collarín (13) utilizando la llave que se suministra.

### Montaje de la guía para rebordear (fig. C)

La guía para rebordear le ayuda a guiar la herramienta en paralelo a un borde.

- ◆ Introduzca las barras (15) en la base de la fresadora como se muestra.
- ◆ Ajuste la guía para rebordear a la distancia que sea necesaria.
- ◆ Apriete los tornillos de fijación (5).

### Montaje del adaptador para extracción de polvo (fig. D)

El adaptador para aspirador de polvo le permite conectar un aspirador a la herramienta.

- ◆ Coloque el adaptador de extracción de polvo (12) a la base de la herramienta como se muestra.
- ◆ Introduzca los dos tornillos (16) desde la parte inferior pasando por los orificios de la base en el adaptador para la extracción de polvo.
- ◆ Coloque una tuerca (17) en cada uno de los tornillos y apriete éstas fuertemente.

### Montaje de la guía de plantilla (figs. M y D)

- ◆ Fije la guía de plantilla (20) a la base de la fresadora con la pestaña a la parte inferior (= pieza de trabajo).
- ◆ Inserte en la base los dos tornillos largos (16) desde la parte inferior pasando por la guía de plantilla y por los orificios.
- ◆ Coloque el adaptador de extracción de polvo sobre la superficie de la base tal como se muestra en la fig. D.
- ◆ Coloque una tuerca (17) en cada uno de los tornillos y apriete éstas fuertemente.

### Colocación de la pieza de separación (fig. N)

- ◆ Fije la pieza de separación (21) a la base de la fresadora empleando los tornillos suministrados.

### Montaje del pasador de centrado (fig. O)

- ◆ Fije la guía de ribetear a la fresadora tal como se muestra en la fig. C aunque invertida hacia abajo.

- ◆ Fije el pasador de centrado (22) al lado de la guía de ribetear de la pieza de trabajo con el tornillo (23) suministrado.

## Montaje del copiador (fig. P)

- ◆ Fije la guía de ribetear a la fresadora tal como se muestra en la fig. C.
- ◆ Fije la barra 'L' (24) al lado superior de la guía de ribetear empleando los dos tornillos y tuercas suministrados.
- ◆ Fije el acoplamiento de rotación (25) a la barra 'L' con el tornillo de aleta suministrado.

## USO



Deje que la herramienta funcione a su ritmo. No la sobrecargue.

- ◆ Guiar con cuidado el cable para evitar que se corte de manera accidental

## Ajuste de la profundidad de corte (fig. E)

La profundidad de corte es la distancia X entre la barra de tope de profundidad (9) y el tope de profundidad (18). La profundidad de corte se puede ajustar de dos maneras distintas como se describe a continuación.

### Ajuste de la profundidad de corte utilizando un trozo de madera (fig. A y F)

- ◆ Monte la broca de burilar como se ha descrito anteriormente.
- ◆ Afloje el tornillo de bloqueo (10).
- ◆ Tire hacia arriba de la palanca de bloqueo del torno (4).
- ◆ Haga descender la fresadora hasta que la broca de burilar entre en contacto con la pieza.
- ◆ Empuje hacia abajo la palanca de bloqueo del torno (4).
- ◆ Tire hacia arriba de la barra de tope de profundidad (9).
- ◆ Coloque un trozo de madera de un grosor igual a la profundidad de corte deseada entre el tope de profundidad (18) y la barra de tope de profundidad (9).
- ◆ Apriete el tornillo de bloqueo (10).
- ◆ Retire el trozo de madera.

- ◆ Tire hacia arriba de la palanca de bloqueo del torno (4) y deje que la fresadora vuelva a su posición original.
- ◆ Tras conectar la fresadora, hágala descender para realizar el corte deseado.

### Ajuste de la profundidad de corte utilizando la escala (fig. A y G)

- ◆ Monte la broca de burilar como se ha descrito anteriormente.
- ◆ Afloje el tornillo de bloqueo (10).
- ◆ Tire hacia arriba de la palanca de bloqueo del torno (4).
- ◆ Haga descender la fresadora hasta que la broca de burilar entre en contacto con la pieza.
- ◆ Empuje hacia abajo la palanca de bloqueo del torno (4).
- ◆ Utilice la escala para efectuar la lectura de la posición de inicio (11).
- ◆ Añada la profundidad de corte deseada a la posición de inicio.
- ◆ Mueva la barra de tope de profundidad (9) a la posición calculada en la escala.
- ◆ Apriete el tornillo de bloqueo (10).
- ◆ Tire hacia arriba de la palanca de bloqueo del torno (4) y deje que la fresadora vuelva a su posición original.
- ◆ Tras conectar la fresadora, hágala descender para realizar el corte deseado.

### Ajuste del tope de profundidad del elemento giratorio (fig. H)

Tras realizar el ajuste deseado del tope de profundidad del elemento giratorio, puede refinar el ajuste del tope de profundidad que va a utilizarse. Si desea realizar varios cortes con distinta profundidad, ajuste cada uno de los topes de profundidad.

- ◆ Gire el tornillo de tope de profundidad (19) hacia arriba o abajo según sea necesario utilizando un destornillador.

### Ajuste de la velocidad (fig. A)

- ◆ Coloque el selector de control de velocidad (3) en la posición que sea necesaria. Utilice una alta velocidad para las brocas de burilar de pequeño diámetro. Utilice una baja velocidad para las brocas de burilar de gran diámetro.



**Utilización de una regla como guía (fig. I)**

Cuando no se pueda utilizar la guía para rebordear, por ejemplo al burilar ranuras en el panel posterior de una librería para poder sostener estantes, proceda de la siguiente manera:

- ◆ Coloque una regla en la pieza.
- ◆ Mueva la regla hasta que se encuentre en la posición correcta para guiar la herramienta.
- ◆ Sujete firmemente la regla a la pieza.

**Uso de la guía de plantilla ( fig. M)**

La guía de plantilla se puede usar para hacer una forma de corte de una plantilla, por ejemplo una letra.

- ◆ Asegure la plantilla sobre la pieza de trabajo empleando cinta de doble cara o abrazaderas "G".
- ◆ La broca de burilar debe extenderse por debajo de la pestaña de la guía de plantilla para cortar la pieza de trabajo con la forma de la plantilla.

**Uso de la pieza de separación (fig. N)**

La pieza de separación se puede usar para ribetear proyecciones verticales de madera o lámina.

**Uso del pasador de centrado (fig O)**

El pasador de centrado se puede usar para recortar patrones circulares.

- ◆ Haga un taladro para el punto del pasador de centrado en el centro del círculo que se va a cortar.
- ◆ Coloque la fresadora sobre la pieza de trabajo con el punto del pasador de centrado en el orificio taladrado.
- ◆ Ajuste el radio del círculo con las barras de la guía de ribetear.
- ◆ Ahora se podrá mover la fresadora sobre la pieza de trabajo para hacer el corte del círculo.

**Uso del copiador (fig. P)**

El copiador ayuda a mantener una distancia de corte igual a lo largo del borde de piezas de trabajo con forma irregular.

- ◆ Coloque la fresadora sobre la pieza de trabajo a la distancia deseada del borde a copiar.
- ◆ Ajuste las barras de la guía de ribetear hasta que la muela esté en contacto con la pieza de trabajo.

**Encendido y apagado (fig. A)**

**Encendido**

- ◆ Mantenga presionado el botón de desbloqueo (2) y pulse el interruptor de on/off (encendido/apagado).
- ◆ Suelte el botón de desbloqueo.

**Apagado**

- ◆ Suelte el interruptor de encendido/apagado (on/off) .

**Consejos para un uso óptimo**

- ◆ Al trabajar en los bordes exteriores, mueva la herramienta en sentido contrario a las agujas del reloj (fig. J). Al trabajar en los bordes interiores, mueva la herramienta en sentido de las agujas del reloj.
- ◆ Utilice brocas de burilar HSS para trabajar con madera blanda.
- ◆ Utilice brocas de burilar TCT para trabajar con madera dura.
- ◆ Puede utilizar la herramienta sin guía (fig. K). Lo cual es útil para realizar trabajos creativos y de burilado de inscripciones. Solo se efectúan cortes poco profundos.
- ◆ Consulte la siguiente tabla para conocer los tipos comunes de brocas de burilar.

**Brocas (fig. L)**

Descripción	Aplicación
Broca recta (1)	Muecas y ranuras
Broca de recorte de bordes (2)	Laminados de recorte de bordes; perfilado preciso utilizando una plantilla
Broca de corte de ranuras (3)	Realiza el corte de ranuras en piezas rectas o curvas
Broca de corte de muescas en V (4)	Realización de ranuras, grabado y biselado de rebordes
Broca cilíndrica hueca (5)	Realización de acanaladuras, grabado y moldeado decorativo de rebordes
Broca de calado (6)	Moldeado decorativo de rebordes

Broca de moldeado de ojiva (7)	Moldeado decorativo de rebordes
Broca de redondeado (8)	Redondeado de rebordes
Broca de corte en cola de milano (9)	Juntas en cola de milano
Broca de corte de chaflán (10)	Cantos biselados

## MANTENIMIENTO

Su herramienta Black & Decker está diseñada para funcionar durante un largo período de tiempo con un mantenimiento mínimo. El funcionamiento satisfactorio continuado depende de un cuidado apropiado y una limpieza periódica de la herramienta.



Antes de realizar cualquier tipo de mantenimiento, apague y desenchufe la herramienta.

- ◆ Limpie periódicamente las ranuras de ventilación de la herramienta con un cepillo suave o con un paño seco.
- ◆ Limpie periódicamente la carcasa del motor con un paño húmedo. No utilice ninguna sustancia limpiadora abrasiva o que contenga disolventes.

## PROTECCIÓN DEL MEDIO AMBIENTE



Black & Decker proporciona facilidades para el reciclado de los productos Black & Decker que hayan llegado al final de su vida útil. Este servicio se proporciona de forma gratuita. Para poderlo utilizar, le rogamos entregue el producto en cualquier servicio técnico autorizado quien se hará cargo del mismo en nuestro nombre.

Pueden consultar la dirección de su servicio técnico más cercano poniéndose en contacto con la oficina local de Black & Decker en la dirección que se indica en este manual. Como alternativa, se puede consultar en Internet, en la dirección siguiente, la lista de servicios técnico autorizados e información completa de nuestros servicios de postventa y contactos: [www.2helpU.com](http://www.2helpU.com).

## Características técnicas

		KW850E
Voltaje	V <sub>AC</sub>	230
Potencia absorbida	W	1.100
Velocidad sin carga	min <sup>-1</sup>	8.000 - 28.000
Tamaño del collarín		6 mm, 1/4", 8 mm
Diámetro máximo de broca de burilar	mm	33
Profundidad máxima de corte	mm	55
Peso	kg	3,3

## GARANTÍA

Black & Decker confía plenamente en la calidad de sus productos y ofrece una garantía extraordinaria. Esta declaración de garantía es una añadido, y en ningún caso un perjuicio para sus derechos estatutarios. La garantía es válida dentro de los territorios de los Estados Miembros de la Unión Europea y de los de la Zona Europea de Libre Comercio.

Si un producto Black & Decker resultara defectuoso debido a materiales o mano de obra defectuosos o a la falta de conformidad, Black & Decker garantiza, dentro de los 24 meses de la fecha de compra, la sustitución de las piezas defectuosas, la reparación de los productos sujetos a un desgaste y rotura razonables o la sustitución de tales productos para garantizar al cliente el mínimo de inconvenientes, a menos que:

- ◆ El producto haya sido utilizado con propósitos comerciales, profesionales o de alquiler;
- ◆ El producto haya sido sometido a un uso inadecuado o negligente;
- ◆ El producto haya sufrido daños causados por objetos o sustancias extrañas o accidentes;
- ◆ Se hayan realizado reparaciones por parte de personas que no sean los servicios de reparación autorizados o personal de servicios de Black & Decker;

Para reclamar en garantía, será necesario que presente la prueba de compra al vendedor o al servicio técnico de reparaciones autorizado. Pueden consultar la dirección de su servicio técnico más cercano poniéndose en contacto con la oficina local de Black & Decker en la dirección que se indica en este manual.

Como alternativa, se puede consultar en Internet, en la dirección siguiente, la lista de servicios técnico autorizados e información completa de nuestros servicios de postventa y contactos: [www.2helpU.com](http://www.2helpU.com).

#### **OTRAS HERRAMIENTAS DE BRICOLAJE**

Black & Decker cuenta con una gama completa de herramientas que le facilitarán las tareas de bricolaje. Si desea más información sobre los siguientes productos, póngase en contacto con nuestro Centro de Servicio e Información (consulte la página de direcciones al final de este manual) o diríjase a su concesionario local de Black & Decker.

- Taladros percutores
- Taladros/atornilladores sin cable
- Sierras de vaivén
- Sierras circulares
- Lijadoras
- Ingletadoras
- Esmeriladoras
- Cepillos
- Fresadoras
- Pistolas decapadoras
- Grapadoras
- Herramientas multiusos
- Bancos de trabajo

También disponemos de una amplia gama de accesorios y kits de accesorios para estas herramientas.

Todos los productos no se encuentran disponibles en todos los países.

# TORNO KW850E

## PARABÉNS!

Você escolheu uma ferramenta Black & Decker. O nosso objectivo é fornecer ferramentas de qualidade a um preço acessível. Esperamos que a utilize por muitos anos.

## DECLARAÇÃO DE CONFORMIDADE



### KW850E

A Black & Decker declara que estas ferramentas foram concebidas em conformidade com:

98/37/CEE, 89/336/CEE, 73/23/CEE,  
EN 50144, EN 55014, EN 61000

Nível de potência sonora, medido de acordo com a EN 50144:

		KW850E
$L_{pA}$	(pressão sonora) dB(A)	85,5
$L_{WA}$	(potência sonora) dB(A)	98,5



Use protectores auditivos quando a potência sonora ultrapassar 85 dB(A).

Valor médio quadrático ponderado em frequência de aceleração conforme a EN 50144:

		KW850E
		< 2,5 m/s <sup>2</sup>

Kevin Hewitt  
Engenheiro Responsável  
Spennymoor, County Durham DL16 6JG,  
United Kingdom

## FINALIDADE

O seu torno Black & Decker KW850E foi projectado para tornear madeira e produtos desse mesmo material.

Esta ferramenta destina-se apenas para uso doméstico.

## INSTRUÇÕES DE SEGURANÇA

### Símbolos

Os seguintes símbolos são usados neste manual:



Indica risco de ferimentos, danos pessoais ou materiais no caso do não-cumprimento das instruções deste manual.



Indica risco de choques eléctricos.



Leia este manual antes de utilizar a ferramenta.

### Conhecer a ferramenta



- ◆ **Aviso!** Ao utilizar ferramentas eléctricas, é preciso seguir sempre as precauções básicas para a segurança, incluindo as detalhadas a seguir, para diminuir os riscos de incêndio, choque eléctrico, ferimentos pessoais e danos materiais.
- ◆ Leia atentamente este manual antes de utilizar a ferramenta.
- ◆ Antes de utilizar a ferramenta, certifique-se de que sabe como desligá-la em caso de urgência.
- ◆ Guarde este manual para futura consulta.

## Informações gerais

### 1. Mantenha a área de trabalho arrumada

As mesas e áreas de trabalho desarrumadas podem provocar ferimentos.

### 2. Cuide do ambiente da área de trabalho

Não exponha a ferramenta à chuva. Não utilize a ferramenta em situações onde haja humidade ou água. Mantenha a área de trabalho bem iluminada. Não utilize a ferramenta onde haja risco de fogo ou explosão, p.ex. em presença de líquidos ou gases inflamáveis.

### 3. Mantenha as crianças afastadas

Não permita que crianças, visitantes ou animais cheguem perto da área de trabalho ou toquem na ferramenta ou no cabo eléctrico.

### 4. Vista-se de maneira apropriada

Não use vestuário largo nem jóias porque podem prender-se numa peça móvel. Quando se trabalha no exterior, aconselha-se o uso de luvas de borracha e de calçado antiderrapante. Prenda o cabelo se o tiver comprido.

### 5. Protecção pessoal

Utilize óculos de protecção. Utilize óculos de protecção e uma máscara de rosto para poeiras sempre que as operações possam produzir poeira ou partículas que voem. Utilize protector de ouvidos sempre que o nível de ruído pareça ser incómodo.

### 6. Tenha cuidado com os choques eléctricos

Evite tocar em superfícies aterradas ou ligadas à terra, como por exemplo: canos, radiadores, fogões e frigoríficos. A segurança eléctrica pode ser melhorada mediante o uso de dispositivos de corrente residual (RCD) de alta sensibilidade (30 mA / 30 mS).

### 7. Verifique a sua posição

Mantenha sempre o equilíbrio.

### 8. Esteja atento

Dê atenção ao que vai fazendo. Trabalhe com precaução. Não utilize ferramentas quando estiver cansado.

### 9. Segure firmemente as peças a trabalhar

Utilize grampos ou um torno para segurar as peças de trabalho. É mais seguro e permite manter as duas mãos livres para trabalhar.

### 10. Ligue o equipamento de extracção de poeiras

Caso sejam fornecidos os dispositivos para a extracção e colecta de poeiras, assegure-se de que os mesmos estão correctamente ligados e são correctamente utilizados.

### 11. Tire as chaves de aperto

Verifique sempre se as chaves de aperto foram retiradas da ferramenta antes de a utilizar.

### 12. Extensões eléctricas

Antes de iniciar o uso, verifique o estado da extensão eléctrica e substitua-a se estiver danificada. Ao utilizar a ferramenta no exterior, utilize apenas extensões adequadas para este tipo de utilização.

### 13. Utilize a ferramenta apropriada

Neste manual indicam-se as aplicações da ferramenta. Não force pequenas ferramentas ou acessórios para fazer o trabalho dum ferramenta profissional. A ferramenta trabalhará melhor e de uma maneira mais segura se for utilizada para o efeito indicado. Não force a ferramenta.

**Aviso!** O uso de qualquer acessório ou da própria ferramenta, além do que é recomendado neste manual de instruções pode dar origem a riscos de ferimentos.

### 14. Verifique se há peças danificadas.

Antes do uso, verifique cuidadosamente se a ferramenta e o cabo eléctrico não estão danificados. Verifique o tamanho das peças móveis e se as mesmas estão alinhadas; verifique se há alguma peça partida, se as protecções e os interruptores estão danificados, bem como quaisquer outras condições que possam afectar o funcionamento da ferramenta. Assegure-se de que a ferramenta funciona correctamente e de que está a desempenhar as funções para as quais foi projectada. Não utilize a ferramenta se houver alguma peça defeituosa. Não utilize a ferramenta se o interruptor liga/desliga não estiver a funcionar. Qualquer peça defeituosa deve ser reparada ou substituída por um técnico autorizado. Nunca tente efectuar qualquer reparação por sua conta.

## 15. Desligue a ferramenta

Desligue a ferramenta quando não estiver em uso, antes de trocar qualquer peça da ferramenta, acessórios ou anexos e antes de a enviar para os serviços técnicos.

## 16. Evite ligar sem intenção

Não transporte a ferramenta com um dedo sobre o interruptor liga/desliga. Assegure-se de que a ferramenta está desligada quando for ligá-la à tomada.

## 17. Não force o cabo eléctrico

Nunca transporte a ferramenta pelo cabo ou puxe o mesmo para retirá-lo da tomada. Proteja o cabo contra o calor e evite o contacto com óleo e objectos cortantes.

## 18. Guarde as ferramentas que não estiverem a ser utilizadas.

Quando não estiver em uso, as ferramentas deverão ser armazenadas em local seco, fechado ou alto, fora do alcance das crianças.

## 19. Cuide das suas ferramentas com atenção

Mantenha as ferramentas cortantes afiadas e limpas para um melhor e mais seguro desempenho. Siga as instruções para a manutenção e a troca de acessórios. Mantenha os punhos e os interruptores secos, limpos e isentos de óleo e gordura.

## 20. Reparações

Esta ferramenta cumpre os requisitos de segurança pertinentes. As reparações devem ser realizadas somente por pessoas qualificadas e as peças de reposição devem ser originais. A não observância disso poderá resultar em perigos consideráveis para os utilizadores.

### Instruções adicionais de segurança para tornos



Utilize óculos de segurança durante o funcionamento da ferramenta.

- ◆ Utilize apenas brocas de tornear com um diâmetro igual ao tamanho da pinça de aperto instalada na ferramenta.
- ◆ Utilize apenas brocas de tornear adequadas à velocidade sem carga da ferramenta.

- ◆ Nunca utilize brocas de tornear com um diâmetro superior ao diâmetro máximo especificado na secção de especificações técnicas.
- ◆ Não utilize a ferramenta invertida.
- ◆ Não tente utilizar a ferramenta no modo de paragem.
- ◆ Tome especial atenção sempre que tornear MDF ou superfícies revestidas com tinta à base de chumbo:
  - Utilize uma máscara para poeira especificamente desenhada para protecção contra poeira e vapores de pintura com chumbo e assegure-se de que as pessoas que estejam na área de trabalho ou que entrem nesta também estejam protegidas.
  - Não permita que crianças ou mulheres grávidas entrem na área de trabalho.
  - Não coma, beba ou fume na área de trabalho.
  - Jogue fora as partículas de poeira e os detritos de maneira segura.

### SEGURANÇA ELÉCTRICA

O motor eléctrico foi concebido para uma única tensão. Verifique sempre se a tensão da rede corresponde à voltagem indicada na placa de identificação.



A ferramenta tem duplo isolamento em conformidade com o estipulado na norma EN 50144, não sendo, por isso, necessária uma ligação à terra.

### Extensões

Se for necessário uma extensão eléctrica, use uma apropriada para a corrente desta ferramenta (veja os dados técnicos). A dimensão mínima do condutor é 1,5 mm<sup>2</sup>. Antes do uso, verifique se há sinais de danos, envelhecimento e desgaste da extensão eléctrica. Substitua-a se estiver danificada ou apresentar defeitos. No caso de se usar uma bobina, desenrole o cabo todo. O uso de extensões não adequadas para a energia de entrada da ferramenta ou que esteja danificada ou com defeito poderá resultar em riscos de incêndio e choque eléctrico.

## CONTEÚDO DA CAIXA

A caixa contém:

- 1 Torno
- 3 Pinças de aperto
- 1 Chave
- 1 Guia de acerto de orlas
- 1 Adaptador do extractor de pó
- 1 Pino central
- 1 Barra-guia
- 1 Placa de distanciamento
- 1 Modelo de corte
- 1 Manual de instruções

- ◆ Retire todas as peças da embalagem, com cuidado.

## VISÃO GERAL (fig. A)

1. Interruptor
2. Botão de travamento
3. Botão de controlo de velocidade variável
4. Alavanca de bloqueio de inclinação
5. Parafusos de fixação para a guia de acerto de orlas
6. Pinça de aperto
7. Botão de bloqueio do fuso
8. Batente da profundidade da pistola
9. Barra do batente de profundidade
10. Parafusos de bloqueio
11. Escala de profundidade de corte
12. Adaptador do extractor de pó

## MONTAGEM



Antes de tentar executar qualquer das operações a seguir, assegure-se de que a ferramenta esteja desligada e o fuso parado.

### Colocação de uma broca de torneiar (fig. B)

- ◆ Mantenha o bloqueio do fuso (7) carregado e rode o mesmo até que o seu bloqueio engate completamente.
- ◆ Desaperte a porca da pinça de aperto (13) utilizando a chave fornecida.
- ◆ Insira o parafuso da broca de torneiar (14) na pinça de aperto (6). Certifique-se de que o parafuso deixa uma saliência de pelo menos 3 mm a partir da pinça de aperto como mostrado.

- ◆ Mantenha o travão do fuso (7) para baixo e aperte a porca da pinça de aperto (13) utilizando a chave fornecida.

### Instalação da guia de acerto de orlas (fig. C)

A guia de acerto de orlas ajuda a guiar a ferramenta paralelamente a uma orla.

- ◆ Insira as barras (15) na base do torno como mostrado.
- ◆ Ajuste a guia de acerto de orlas à distância desejada.
- ◆ Aperte os parafusos de fixação (5).

### Colocação do adaptador para extractor do pó (fig. D)

O adaptador para o extractor do pó permite-lhe ligar um aspirador à ferramenta.

- ◆ Coloque o adaptador para o extractor do pó (12) na base da ferramenta como mostrado.
- ◆ Insira os dois parafusos (16) a partir da parte inferior através dos orifícios na base e no adaptador para o extractor do pó.
- ◆ Coloque uma porca (17) em cada um dos parafusos e aperte correctamente as porcas.

### Colocar o modelo de corte (fig. M & D)

- ◆ Coloque o modelo de corte (20) na base do torno, com a flange a partir da parte inferior (=peça de trabalho).
- ◆ Insira os dois parafusos longos (16) a partir da parte inferior através do modelo de corte e dos orifícios da base.
- ◆ Coloque o adaptador para o extractor do pó na parte superior da base como mostrado na fig. D.
- ◆ Coloque uma porca (17) em cada um dos parafusos e aperte correctamente as porcas.

### Colocar a placa de distanciamento (fig. N)

- ◆ Coloque a chapa de distanciamento (21) na base do torno utilizando os parafusos fornecidos.

### Colocar o pino central (fig. O)

- ◆ Coloque a guia de acerto de orlas no torno como mostrado na fig. C, mas virado para baixo.
- ◆ Coloque o pino central (22) no lado da peça de trabalho da guia de acerto de orlas com o parafuso (23) fornecido.

## Colocar a barra-guia (fig. P)

- ◆ Coloque a guia de acerto de orlas no torno como mostrado na fig. C.
- ◆ Coloque a barra em 'L' (24) na parte superior da guia de acerto de orlas utilizando os dois parafusos e porcas fornecidos.
- ◆ Coloque o acessório de rotação (25) na barra em 'L' com o parafusos de asas fornecido.

## UTILIZAÇÃO



Deixe que a ferramenta funcione à vontade. Não a sobrecarregue.

- ◆ Guie o cabo cuidadosamente para evitar cortá-lo acidentalmente.

## Ajuste da profundidade de corte (fig. E)

A profundidade do corte é a distância X entre a barra do batente de profundidade (9) e o batente de profundidade (18). A profundidade do corte pode ser definida das duas maneiras abaixo descritas.

### Ajuste da profundidade do corte utilizando uma peça de madeira (fig. A & F)

- ◆ Coloque a broca de toronar conforme o descrito acima.
- ◆ Desaperte o parafuso de fixação (10).
- ◆ Puxe a alavanca de bloqueio de inclinação (4) para cima.
- ◆ Incline o torno para baixo até que a broca de toronar toque na peça de madeira.
- ◆ Empurre a alavanca de bloqueio de inclinação (4) para baixo.
- ◆ Puxe a barra do batente de profundidade (9) para cima.
- ◆ Coloque uma peça de madeira com uma espessura igual ao valor de profundidade de corte desejada entre o batente de profundidade (18) e a barra do batente de profundidade (9).
- ◆ Aperte o parafuso de fixação (10).
- ◆ Remova a peça de madeira.
- ◆ Puxe a alavanca de bloqueio da inclinação (4) para cima e deixe o torno voltar à sua posição inicial.

- ◆ Depois de ligar o torno, incline-o para baixo e efectue o corte desejado.

### Ajuste da profundidade do corte utilizando a escala (fig. A & G)

- ◆ Coloque a broca de toronar conforme o descrito acima.
- ◆ Desaperte o parafuso de fixação (10).
- ◆ Puxe a alavanca de bloqueio de inclinação (4) para cima.
- ◆ Incline o torno para baixo até que a broca de toronar toque na peça de madeira.
- ◆ Empurre a alavanca de bloqueio de inclinação (4) para baixo.
- ◆ Leia a posição inicial a partir da escala (11).
- ◆ Adicione a profundidade de corte desejada à posição inicial.
- ◆ Mova a barra do batente de profundidade (9) até à posição calculada na escala.
- ◆ Aperte o parafuso de fixação (10).
- ◆ Puxe a alavanca de bloqueio da inclinação (4) para cima e deixe o torno voltar à sua posição inicial.
- ◆ Depois de ligar o torno, incline-o para baixo e efectue o corte desejado.

### Ajuste do batente de profundidade da pistola (fig. H)

Depois de rodar o batente de profundidade da pistola para a definição desejada, pode reajustar ainda mais o batente de profundidade a ser utilizado. Se desejar efectuar vários cortes com uma profundidade de corte diferente, ajuste cada um dos batentes de profundidade.

- ◆ Vire o parafuso do batente da profundidade (19) para cima ou para baixo como necessário utilizando uma chave de parafusos.

### Definir a velocidade (fig. A)

- ◆ Ajuste o botão de controlo de velocidade (3) conforme o desejado. Utilize a velocidade alta para brocas de toronar com diâmetro pequeno. Utilize a velocidade baixa para brocas de toronar com diâmetro grande.



**Utilizar uma ripa de madeira como uma guia (fig. I)**

Sempre que não for possível utilizar uma guia de acerto de orlas, por exemplo, quando torneiar ranhuras no painel traseiro para suportar prateleiras, proceda da seguinte maneira:

- ◆ Coloque uma ripa na peça de madeira.
- ◆ Mova a ripa até que esteja na posição correcta para guiar a ferramenta.
- ◆ Fixe a ripa à peça de madeira com um grampo Securely.

**Colocar o modelo de corte (fig. M)**

A guia pode ser utilizada para fazer uma forma de corte a partir de um modelo, por exemplo uma letra.

- ◆ Coloque o modelo por cima da peça de trabalho com a fita dupla ou os grampos 'G'.
- ◆ A broca do torno deve estar estendida por baixo da flange do modelo de corte para cortar a peça de trabalho de acordo com a forma do modelo.

**Utilizar a placa de distanciamento (fig. N)**

A placa de distanciamento pode ser utilizada para cortar projecções verticais de madeira ou de laminados.

**Utilizar o pino central (fig. O)**

O pino central pode ser utilizado para cortar modelos circulares.

- ◆ Faça um furo no centro para colocar a ponta do pino central e fazer o corte em círculo.
- ◆ Coloque o torno na peça de trabalho com a ponta do pino central no furo.
- ◆ Ajuste o raio do círculo com as barras da guia de acerto de orlas.
- ◆ O torno pode agora ser movido ao longo da peça de trabalho para cortar em círculo.

**Utilizar a barra-guia (fig. P)**

A barra-guia ajuda a manter uma distância de corte uniforme ao longo da orla em peças de trabalho irregulares.

- ◆ Coloque o torno na peça de trabalho à distância desejada da orla a ser cortada.
- ◆ Ajuste as barras na guia de acerto de orlas até que o disco toque na peça de trabalho.

**Como ligar e desligar a ferramenta (fig. A)**

Como ligar a ferramenta

- ◆ Mantenha o botão de destravamento (2) para baixo e prima o interruptor de ligar/desligar (1).
- ◆ Solte o botão de destravamento.

Como desligar a ferramenta

- ◆ Solte a chave liga/desliga.

**Sugestões para uma melhor utilização**

- ◆ Sempre que trabalhar em orlas externas, mova a ferramenta para a esquerda (fig. J). Sempre que trabalhar em orlas internas, mova a ferramenta para a direita.
- ◆ Utilize brocas de torneiar HSS para madeira mole.
- ◆ Utilize brocas de torneiar TCT para madeira dura.
- ◆ Pode utilizar a ferramenta sem uma guia (fig. K). Isto é útil para trabalhos marcação de símbolos e criativos. Efectue apenas cortes superficiais.
- ◆ Consulte a tabela abaixo para obter os tipos mais comuns de brocas de torneiar.

**Brocas de torneiar (fig. L)**

Descrição	Aplicação
Broca lisa (1)	Ranhuras e entalhes
Broca de corte (2)	Corte de lâminas ou de madeira dura; delineamento preciso utilizando um modelo
Broca de entalhes (3)	Encaixa em peças lisas ou curvadas
Broca com ranhuras em V (4)	Encaixa, grava e arredonda orlas
Broca de núcleos (5)	Estria, grava e molda orlas decorativas
Broca estreita (6)	Moldagem de orlas decorativas
Broca de moldagem em S (7)	Moldagem de orlas decorativas
Broca redonda (8)	Arredonda orlas
Broca de encaixe (9)	Encaixa junções
Broca estriada (10)	Estria orlas

**MANUTENÇÃO**

Esta ferramenta Black & Decker foi desenvolvida para funcionar por um longo período, com um mínimo de manutenção. O funcionamento contínuo e satisfatório depende da limpeza regular e cuidado adequado da ferramenta.



Antes de qualquer procedimento de manutenção, desligue a ferramenta no interruptor e retire-a da tomada da corrente.

- ◆ Limpe regularmente as fendas de ventilação da ferramenta utilizando uma escova suave ou um pano seco.
- ◆ Limpe regularmente o compartimento do motor utilizando um pano húmido. Não utilize nenhum limpador abrasivo ou de base solvente.

## PROTECÇÃO DO MEIO AMBIENTE



A Black & Decker oferece facilidades para a reciclagem dos seus produtos uma vez que os mesmos tenham alcançado o final de suas vidas úteis. Este serviço é fornecido sem encargos. Para utilizá-lo, devolva o seu produto a qualquer agente de reparação autorizado, que se encarregará de recolher o equipamento em nosso nome.

Para verificar a localização do agente de reparação mais próximo de si, contacte o escritório local da Black & Decker no endereço indicado neste manual. Se preferir, consulte a lista de agentes autorizados da Black & Decker e os dados completos dos nossos serviços de atendimento pós-venda na Internet no endereço: [www.2helpU.com](http://www.2helpU.com).

## Dados técnicos

	KW850E	
Voltagem	$V_{AC}$	230
Potência	W	1.100
Velocidade sem carga	$\text{min}^{-1}$	8.000 - 28.000
Tamanho da pinça de aperto		6 mm, 1/4", 8 mm
Diâmetro máximo da broca de torneiar	mm	33
Profundidade de corte máxima	mm	55
Peso	kg	3,3

## GARANTIA

A Black & Decker confia na qualidade de seus produtos e oferece um programa de garantia excelente. Esta declaração de garantia soma-se aos seus direitos legais e não os prejudica em nenhum aspecto.

A garantia será válida nos territórios dos Estados Membros da União Europeia e na Área de Livre Comércio da Europa.

Caso algum produto da Black & Decker apresente avarias devido a defeitos de material, mão-de-obra ou ausência de conformidade no prazo de 24 meses a partir da data de compra, a Black & Decker garantirá a substituição das peças defeituosas, a reparação dos produtos que foram submetidos a uso adequado e remoção ou substituição dos mesmos para assegurar o mínimo de inconvenientes ao cliente a menos que:

- ◆ O produto tenha sido utilizado para fins comerciais, profissionais ou aluguer;
- ◆ O produto tenha sido submetido a uso incorrecto ou descuido;
- ◆ O produto tenha sofrido danos causados por objectos estranhos, substâncias ou acidentes;
- ◆ Tenha um histórico de reparações efectuadas por terceiros que não sejam os agentes autorizados ou profissionais de manutenção da Black & Decker.

Para activar a garantia, será necessário enviar a prova de compra ao revendedor ou agente de reparação autorizado. Para verificar a localização do agente de reparação mais próximo de si contacte o escritório local da Black & Decker no endereço indicado neste manual. Se preferir, consulte a lista de agentes autorizados da Black & Decker e os dados completos de nossos serviços de atendimento pós-venda na Internet no endereço: [www.2helpU.com](http://www.2helpU.com).

## OUTRAS FERRAMENTAS "FAÇA VOCÊ MESMO"

A Black & Decker possui uma linha completa de ferramentas e acessórios que tornam fáceis os trabalhos feitos por si. Se deseja obter informações complementares sobre outros produtos, por favor contacte um dos Centros de Assistência ou o serviço de Apoio ao Cliente da Black & Decker (veja página de endereços dirigindo-se ao final deste manual) ou ainda um revendedor Black & Decker.

# HANDÖVERFRÄS KW850E

## BÄSTE KUND!

Tack för att du har valt ett verktyg från Black & Decker. Vi hoppas att du kommer att få glädje av verktyget i många år.

## CE-FÖRSÄKRAN OM ÖVERENSSTÄMMELSE



### KW850E

Black & Decker förklarar att dessa verktyg är konstruerade i överensstämmelse med: 98/37/EEG, 89/336/EEG, 73/23/EEG, EN 50144, EN 55014, EN 61000

Ljudnivå, uppmätt enligt EN 50144:

		KW850E
$L_{pA}$	(ljudtryck) dB(A)	85,5
$L_{WA}$	(ljudeffekt) dB(A)	98,5



Använd hörselskydd om ljudnivån överskrider 85 dB(A).

Det vägda geometriska medelvärdet av vibrationsfrekvensen enligt EN 50144:

KW850E
< 2,5 m/s <sup>2</sup>

Kevin Hewitt  
 Director of Consumer Engineering  
 Spennymoor, County Durham DL16 6JG,  
 United Kingdom

## ANVÄNDNINGSSOMRÅDE

Din Black & Decker handöverfräs KW850E är avsedd för bearbetning av trä och träprodukter.

Verktyget är endast avsett som konsumentverktyg.

## SÄKERHETSINSTRUKTIONER

### Symboler

Följande symboler har använts i bruksanvisningen:



Anger risk för personskada, livsfara eller skada på verktyg om du inte följer de instruktioner som står i bruksanvisningen.



Anger risk för elektrisk stöt.



Läs bruksanvisningen innan du använder verktyget.

### Lär känna verktyget



- ◆ **Varning!** När man använder elverktyg är det viktigt att man bl.a. följer nedanstående säkerhetsanvisningar för att minska risken för brand, elektriska stötar, personskador och materialskador.
- ◆ Var säker på att du vet hur man stänger av verktyget innan du börjar använda det.
- ◆ Spara bruksanvisningen lättillgängligt.

**Allmänt****1. Håll arbetsområdet i ordning**

Nedskräpade ytor och arbetsbänkar inbjuder till skador.

**2. Tänk på arbetsmiljöns inverkan**

Utsätt inte verktyget för regn. Använd inte verktyget på fuktiga eller våta platser. Ha bra belysning över arbetsytan. Använd inte verktyget där det finns risk för eldsvåda eller explosion, t.ex. i närheten av lättantändliga vätskor eller gaser.

**3. Utom räckhåll för barn**

Tillåt inte barn, besökande eller djur att komma i närheten av arbetsplatsen eller att röra vid verktyget eller sladden.

**4. Klä dig rätt**

Bär inte löst hängande kläder eller smycken. De kan fastna i rörliga delar. Gummihandskar och halkfria skor rekommenderas vid utomhusarbeten. Använd hårnät om du har långt hår.

**5. Skyddskläder**

Använd alltid skyddsglasögon. Använd ansiktsmask om arbetet förorsakar damm eller partiklar i luften. Använd hörselskydd om du besväras av ljudnivån.

**6. Eliminera risken för elektriska stötar**

Undvik kroppskontakt med jordade ytor (t.ex. rör, värmeelement, vattenkokare och kylskåp). Elsäkerheten kan förbättras ytterligare genom användning av en jordfelsbrytare med hög känslighet (30 mA/30 mS).

**7. Sträck dig inte för mycket**

Se till att du alltid har säkert fotfäste och balans.

**8. Var uppmärksam**

Titta på det du gör. Använd sunt förnuft. Använd inte verktyget när du är trött.

**9. Sätt fast arbetsstycket**

Använd skruvtingar eller ett skruvstycke för att hålla fast arbetsstycket. Det är säkrare än att använda handen och du får bägge händerna fria för arbetet.

**10. Anslut dammsugningsutrustning**

Om möjligheter finns för anslutning av utrustning för dammsugning och dammuppsamling ska sådan utrustning anslutas och användas på korrekt sätt. OBS!

Anslut endast grovsugare.

**11. Tag bort nycklar**

Kontrollera att nycklar och justerverktyg har tagits bort från verktyget innan det startas.

**12. Förlängningssladdar**

Kontrollera förlängningssladden innan den används. Byt ut den om det behövs.

Om verktyget används utomhus ska bara förlängningssladdar som är avsedda för utomhusbruk användas.

**13. Använd rätt verktyg**

Använd inte verktyg för ändamål de inte är avsedda för. Tvinga inte verktyget att göra arbeten som är avsedda för kraftigare verktyg. Använd endast tillbehör och tillsatser som är rekommenderade i bruksanvisningen och katalogerna. Överbelasta inte verktyget.

**Varning!** Användning av annat verktyg eller tillbehör kan innebära risk för personskada.

**14. Kontrollera verktyget för skador**

Kontrollera verktyget och sladden för skador innan du använder verktyget. Kontrollera att de rörliga delarna inte har fastnat eller är felmonterade. Kontrollera även att övriga delar och skydd inte är skadade och att det inte föreligger några andra fel som kan påverka verktygets funktion. Kontrollera att verktyget fungerar riktigt och kan utföra de avsedda funktionerna. Använd inte verktyget om fel uppstått på någon av dess delar. Använd inte verktyget om det inte kan kopplas till och från med strömbrytaren. Om fel uppstår skall delarna repareras eller bytas ut av en auktoriserad Black & Decker serviceverkstad. Försök aldrig reparera verktyget själv.

**15. Dra ur kontakten**

Tag ur kontakten när verktyget inte är i bruk samt före byte av någon del av verktyget, tillbehör eller verktygsfästen eller innan serviceåtgärder utförs.

**16. Undvik oavsiktlig start**

Bär aldrig verktyget med ett finger på strömbrytaren. Kontrollera att verktyget är avstängt innan du sätter i kontakten.

**17. Misshandla inte sladden**

Bär aldrig verktyget i sladden och använd inte sladden för att dra ut kontakten.

Utsätt inte sladden för värmekällor, olja eller skarpa kanter.

### 18. Förvara verktyg säkert

När verktyget inte används ska det förvaras på ett torrt ställe, som antingen är låst eller högt beläget så att barn inte kan komma åt det.

### 19. Sköt verktyget med omsorg

Håll verktyget rent och använd skarpa tillbehör för bättre prestanda och säkrare drift.

Följ instruktionerna beträffande skötsel och byte av tillbehör. Håll handtagen och strömbrytare torra, rena och fria från olja och fett.

### 20. Reparationer

Detta verktyg uppfyller gällande säkerhetskrav. Reparationer ska utföras av en auktoriserad Black & Decker serviceverkstad som använder originaldelar, annars kan användaren utsättas för stor fara.

### Extra säkerhetsföreskrifter för handöverfräsar



Använd skyddsglasögon under arbetet med maskinen.

- ◆ Använd enbart frässtål med en skaftdiameter motsvarande verktygets spännhylsa.
- ◆ Använd bara frässtål som passar för obelastad hastighet på verktyget.
- ◆ Använd aldrig frässtål med en diameter större än den max. diameter som specificerats i tekniska data.
- ◆ Använd inte verktyget upp- och nervänt.
- ◆ Försök inte använda verktyget i stationärt läge.
- ◆ Var särskilt försiktig vid arbete med träfiberplattor eller ytor som är täckta med blybaserad färg.
  - Använd en specialkonstruerad ansiktsmask som skyddar mot damm från blyhaltiga färger och ångor, samt se till att personer som vistas på, eller kommer i närheten av arbetsplatsen också är skyddade.
  - Låt aldrig barn eller gravida kvinnor vistas på arbetsplatsen.
  - Ät, drick och rök inte på arbetsplatsen.
  - Släng damm och annat avfall på miljösäker plats.

### ELEKTRISK SÄKERHET

Den elektriska motorn är endast avsedd för en spänning. Kontrollera alltid att spänningen på nätet motsvarar den spänning som finns angiven på märkplåten.



Verktyget är dubbelisolerat motsvarande EN 50144; jordledare är således överflödigt.

### Användning med förlängningssladd

Använd en godkänd förlängningssladd lämpad för verktygets strömförbrukning (se tekniska data). Kontrollera före användning om förlängningssladden är skadad, sliten eller börjar bli gammal. Byt ut förlängningssladden om den är skadad eller trasig. Om du använder en sladdvinda, vira alltid av hela sladden. Det är risk för brand eller elchock om en förlängningssladd används som inte är avsedd för verktygets effekt eller som är skadad eller defekt.

### KARTONGENS INNEHÅLL

Kartongen innehåller:

- 1 Handöverfräs
  - 3 Spännhylsor
  - 1 Nyckel
  - 1 Styrskena
  - 1 Dammsugaradapter
  - 1 Centrerstål
  - 1 Kopierinsats
  - 1 Distansplatta
  - 1 Mallskena
  - 1 Bruksanvisning
- ◆ Packa försiktigt upp alla delar.

### ÖVERSIKT (fig. A)

1. Strömbrytare
2. Låsknapp
3. Ratt för variabel hastighet
4. Låsspak för nersänkning
5. Fixeringskruvar för kantskena
6. Spännhylsa
7. Knapp för spindellås
8. Revolverdjupanslag
9. Djupanslagsskena
10. Låsskruv
11. Fräsdjupsskala
12. Dammsugaradapter

## MONTERING



Innan du utför någon av följande handlingar måste du försäkra dig om att verktyget har stängts av och att kontakten dragits ur.

### Montera ett frässkär (fig. B)

- ◆ Håll spindellåset (7) intryckt och vrid spindeln tills låset griper och låser fast helt.
- ◆ Lossa spännmuttern (13) med hjälp av den medföljande nyckeln.
- ◆ Sätt skaftet på skäret (14) i spännhylsan (6). Se till att skaftet sticker ut minst 3 mm. från spännhylsan som bilden visar.
- ◆ Håll spindellåset (7) intryckt och dra åt spännmuttern (13) med den medföljande nyckeln.

### Montering av styrskenan (fig. C)

Styrskenan hjälper till med att styra verktyget parallellt med kanten.

- ◆ Sätt i skenorna (15) i fräsens bas som bilden visar.
- ◆ Ställ in styrskenan på önskat avstånd.
- ◆ Dra åt fixeringsskruvarna (5).

### Montera dammsugaradaptorn (fig. D)

Med adaptorn kan du ansluta en dammsugare till verktyget.

- ◆ Fäst adaptorn (12) i verktygets basdel som bilden visar.
- ◆ Sätt i de två skruvarna (16) underifrån genom hålen i basdelen som framgår av bilden.
- ◆ Sätt en mutter (17) på varje skruv och dra åt muttrarna ordentligt.

### Montering av mallskenan (fig. M & D)

- ◆ Montera mallskenan (20) på basdelen på fräsen, med flänsen neråt mot arbetsstycket.
- ◆ Sätt i de två långa skruvarna (16) underifrån genom mallskenan och hålen i basdelen.
- ◆ Sätt dammsugaradaptorn ovanpå basdelen som bilden visar (fig. D).
- ◆ Sätt en mutter (17) på varje skruv och dra åt muttrarna ordentligt.

### Montera distansstycket (fig. N)

- ◆ Montera distansstycket (21) på fräsens basdel med de medföljande skruvarna.

### Montera centreringsstiftet (fig. O)

- ◆ Montera styrskenan på fräsen som framgår av fig. C, men upp och ner.
- ◆ Sätt fast centreringsstiftet (22) i den sida av styrskenan som är mot arbetsstycket med den medföljande skruven (23).

### Montera mallen (fig. P)

- ◆ Montera styrskenan på fräsen som framgår av fig. C.
- ◆ Montera "L"-staven (24) på styrskenans ovansida med de två medföljande skruvarna och muttrarna.
- ◆ Fäst det roterande tillbehöret (25) på "L"-staven med den medföljande vingskruven.

## ANVÄNDNING



Överbelasta inte maskinen, låt den arbeta i sin egen takt.

- ◆ Var noga med hur du leder sladden så att du inte råkar skära i den.

### Justera fräsdjupet (fig. E)

Fräsdjupet utgörs av avståndet X mellan djupanslagsskenan (9) och djupanslaget (18).

Man kan ställa in fräsdjupet på två olika sätt som beskrivs nedan.

#### Justera fräsdjupet med hjälp av en träbit (fig. A & F)

- ◆ Montera frässtålet enligt ovanstående beskrivning.
- ◆ Lossa låsskruven (10).
- ◆ Dra djuplåsspaken (4) uppåt.
- ◆ Sänk fräsen tills frässtålet vidrör arbetsstycket.
- ◆ Tryck ner djuplåsspaken (4).
- ◆ Dra djupanslagsskenan (9) uppåt.
- ◆ Lägg in en träbit med en tjocklek motsvarande det önskade fräsdjupet mellan djupanslaget (18) och djupanslagsskenan (9).
- ◆ Dra åt låsskruven (10).
- ◆ Ta bort träbiten.
- ◆ Dra djuplåsspaken (4) uppåt och låt fräsen återgå till ursprungsläget.
- ◆ Sätt igång handöverfräsen och sänk den och gör fräsningen som du vill.

Justera fräsdjupet med hjälp av skalan (fig. A & G)

- ◆ Montera frässtålet enligt ovanstående beskrivning.
- ◆ Lossa låsskruven (10).
- ◆ Dra djuplåsspaken (4) uppåt.
- ◆ Sänk fräsen tills frässtålet vidrör arbetsstycket.
- ◆ Tryck ner djuplåsspaken (4).
- ◆ Avläs startläget på skalan (11).
- ◆ Lägg till det önskade fräsdjupet till utgångsläget.
- ◆ Flytta djupanslagsskenan (9) till den beräknade punkten på skalan.
- ◆ Dra åt låsskruven (10).
- ◆ Dra djuplåsspaken (4) uppåt och låt fräsen återgå till ursprungsläget.
- ◆ Sätt igång handöverfräsen och sänk den och gör fräsningen som du vill.

### **Justera revolverdjupanslaget (fig. H)**

När man har vridit revolverdjupanslaget till rätt inställning, kan man finjustera det djupanslag som skall tillämpas. Om du vill göra flera fräsningar med olika fräsdjup, skall du justera varje djupanslag.

- ◆ Använd en skruvmejsel till att skruva djupanslagsskruven (19) upp eller ner, efter behov.

### **Ställa in hastigheten (fig. A)**

- ◆ Ställ kontrollknappen (3) på önskad hastighet. Använd höga hastigheter för frässtål med liten diameter. Använd låga hastigheter för frässtål med stor diameter.

### **Använd en bit av en ribba eller regel för styrning (fig. I)**

När det inte går att använda en kantstyrskena (t.ex. när man fräser uttag för hyllor inne i en bokhylla) kan man göra på följande sätt.

- ◆ Lägg en bit läkt, regel etc. på arbetsstycket.
- ◆ Flytta klossen tills den ligger precis rätt för att kunna styra verktyget.
- ◆ Spänn fast klossen ordentligt på arbetsstycket.

### **Användning av mallskenan (fig. M)**

Mallskenan kan användas för att göra en utskuren form efter en mall, t.ex. en bokstav.

- ◆ Fäst mallen på arbetsstycket med dubbelsidig tejp eller G-formade skruvklämmor.
- ◆ Frässtålet skall nå djupare under flänsen för att kunna skära i arbetsstycket enligt mallen.

### **Användning av distansstycket (fig. N)**

Distansstycket kan användas för trimning av utskjutande delar av trä eller laminat.

### **Användning av centreringsstålet (fig. O)**

Centrerstålet kan användas för att fräsa ut cirkelmönster.

- ◆ Borra ett hål mitt i cirkeln för spetsen på centrerstålet.
- ◆ Sätt fräsen på arbetsstycket med centreringsstålets spets i borrhålet.
- ◆ Justera cirkelradien med stavarna på styrskenan.
- ◆ Nu kan man flytta fräsen över arbetsstycket så att den fräser ut cirkeln.

### **Använda kopierverktyget (fig. P)**

Kopierverktyget hjälper till med att hålla rätt fräsavstånd utmed kanten på oregelbundet formade arbetsstycken.

- ◆ Sätt an fräsen på arbetsstycket på rätt avstånd från den kant som skall kopieras.
- ◆ Justera stavarna på kantskenan tills hjulet har kontakt med arbetsstycket.

### **Start och stopp (fig. A)**

Start

- ◆ Håll låsknappen (2) nertryckt och tryck på strömbrytaren (1).
- ◆ Släpp låsknappen.

Stopp

- ◆ Släpp strömbrytaren.

### **Råd för bästa resultat**

- ◆ Förflytta verktyget moturs, när du arbetar på ytterkanter (fig. J). Förflytta verktyget medurs när du arbetar på innerkanter.
- ◆ Använd HSS frässtål för barrträdsvirke.
- ◆ Använd TCT frässtål för lövträdsvirke.
- ◆ Man kan använda verktyget utan styrskena etc. (fig. K) Det går att använda när man skriver tecken eller gör fria mönster. Fräs bara ytligt.
- ◆ Se tabellen nedan om vanliga typer av frässtål.

## Frässtål (fig. L)

Beskrivning	Användning
Rak fräs (1)	Noter, spår och falsar
Trimfräs (2)	Trimning av laminat eller lövträdsvirke, precisa profiler med hjälp av mall
Falsfräs (3)	Falsar på raka eller böjda arbetsstycken
Fräs för V-spår (4)	Spår och rännor, gravyr och kantfasning
Hålkälsfräs (5)	Vågmönster, gravering och kantdekorationer
Profilfräs (6)	Kantdekorationer
Profilfräs (7)	Kantdekorationer
Avrundningsfräs (8)	Rundar av kanter
Vinkelfräs (9)	Laxstjärtsfog
Fasfräs (10)	Fasar kanter

### SKÖTSEL

Ditt Black & Decker verktyg har tillverkats för att fungera under lång tid med ett minimum av skötsel. Med rätt underhåll och regelbunden rengöring bibehåller verktyget sin prestanda.



Vid underhåll och skötsel skall verktyget vara avstängt och sladden utdragen.

- ◆ Rengör regelbundet verktygets luftintag med en mjuk borste eller torr trasa.
- ◆ Rengör kåpan regelbundet med en fuktig trasa. Använd aldrig rengöringsmedel med lösnings- eller slipmedel i.

### MILJÖ



När ditt verktyg är utslitet, skydda naturen genom att inte slänga det tillsammans med vanligt avfall. Lämna det till de uppsamlingsställen som finns i din kommun eller där du köpt verktyget.

## Tekniska data

		KW850E
Spänning	V <sub>AC</sub>	230
Ineffekt	W	1.100
Obelastad hastighet	min <sup>-1</sup>	8.000 - 28.000
Spännhylsa		6 mm, 1/4", 8 mm
Max. diameter för frässtål	mm	33
Max. snittdjup	mm	55
Vikt	kg	3,3

### RESERVDELAR / REPARATIONER

Reservdelar finns att köpa hos auktoriserade Black & Decker verkstäder, som även ger kostnadsförslag och reparerar våra produkter.

Förteckning över våra auktoriserade verkstäder finns på Internet, vår hemsida

[www.blackdecker.se](http://www.blackdecker.se) samt [www.2helpU.com](http://www.2helpU.com).

### GARANTI

Black & Decker garanterar att produkten är fri från material- och/eller fabrikationsfel vid leverans till kund. Garantin är i tillägg till konsumentens lagliga rättigheter och påverkar inte dessa. Garantin gäller inom medlemsstaterna i Europeiska Unionen och i det Europeiska Frihandelsområdet.

Om en Black & Decker produkt går sönder på grund av material- och/eller fabrikationsfel eller brister i överensstämmelse med specifikationen, inom 24 månader från köpet, åtar sig Black & Decker att reparera eller byta ut produkten med minsta besvär för kunden.

Garantin gäller inte för fel som beror på:

- ◆ normalt slitage
- ◆ felaktig användning eller skötsel
- ◆ att produkten skadats av främmande föremål, ämnen eller genom olyckshändelse

Garantin gäller inte om reparation har utförts av någon annan än en auktoriserad Black & Decker verkstad.



För att utnyttja garantin skall produkten och inköpskvittot lämnas till återförsäljaren eller till en auktoriserad verkstad senast 2 månader efter det att felet har upptäckts. För information om närmaste auktoriserad verkstad; kontakta det lokala Black & Decker kontoret på den adress som är angiven i bruksanvisningen. En lista på alla auktoriserade verkstäder samt servicevillkor finns även tillgängligt på Internet, adress: [www.2helpU.com](http://www.2helpU.com).

#### ANDRA GÖR-DET-SJÄLV-VERKTYG

Black & Decker har ett stort urval verktyg som underlättar alla gör-det-självt-arbeten. Kontakta närmaste Black & Decker återförsäljare för ytterligare information eller besök vår hemsida [www.blackdecker.se](http://www.blackdecker.se).

Borrmaskiner  
Uppladdningsbara skruvdragare  
Uppladdningsbara bormaskiner/skruvdragare  
Slipmaskiner  
Sticksågar  
Cirkelsågar  
Geringssågar  
Vinkelslipar  
Planslipar  
Handöverfräsar  
Multiverktyg  
Varmluftspistoler  
Arbetsbänkar

Vi har också ett stort urval tillbehör för verktygen ovan.

Alla produkter är inte tillgängliga i vissa länder.

# OVERFRES KW850E

## KJÆRE KUNDE!

Du har valgt et Black & Decker verktøy. Vi håper at du vil ha glede av dette verktøyet i mange år fremover.

## CE-SIKKERHETSERKLÆRING



### KW850E

Black & Decker erklærer at disse verktøyer er konstruert i henhold til:  
98/37/EØF, 89/336/EØF, 73/23/EØF,  
EN 50144, EN 55014, EN 61000

Lydnivået, målt i henhold til EN 50144:

		KW850E
$L_{pA}$	(lydnivå) dB(A)	85,5
$L_{WA}$	(akustisk effekt) dB(A)	98,5



Bruk hørselsbeskyttelse dersom lydnivået overskrider 85 dB(A).

Den veide geometriske middelverdien av vibrasjonsfrekvensen i følge EN 50144:

		KW850E
		< 2,5 m/s <sup>2</sup>

Kevin Hewitt

Director of Consumer Engineering  
Spennymoor, County Durham DL16 6JG,  
United Kingdom

## BRUKSOMRÅDER

Black & Decker overfres KW850E er utformet for fresing av treverk og treprodukter.

Verktøyet er tiltenkt kun som konsumentverktøy.

## SIKKERHETSINSTRUKSJONER

### Symboler

Følgende symboler brukes i denne bruksanvisningen:



Betegner risiko for personskade, livsfare eller skade på verktøyet dersom instruksene i denne bruksanvisningen ikke følges.



Betegner risiko for elektrisk støt.



Les bruksanvisningen før du bruker verktøyet.

### Lær verktøyet å kjenne



- ◆ **Advarsel!** Ved bruk av elektroverktøy, må du alltid følge en del grunnleggende sikkerhetsregler, inkludert følgende, for å redusere faren for brann, elektrisk støt, personskade og materialskade.
- ◆ Ta deg tid til å lese nøye gjennom bruksanvisningen før du begynner å bruke verktøyet.
- ◆ Vær sikker på at du vet hvordan man slår av verktøyet før du begynner å bruke det.
- ◆ Oppbevar bruksanvisningen på et lett tilgjengelig sted.

## Generelt

1. **Hold arbeidsområdet rent og ryddig**  
En uryddig arbeidsplass innbyr til skader.
2. **Tenk på arbeidsmiljøets innvirkning**  
Utsett ikke verktøyet for regn. Bruk ikke verktøyet under våte eller fuktige forhold. Pass på at arbeidsområdet er godt opplyst. Bruk ikke verktøyet hvor det er fare for forårsaking av brann eller en eksplosjon, f. eks. i nærheten av brannfarlige væsker eller gasser.
3. **Hold barn unna**  
Ikke la barn, besøkende eller dyr komme i nærheten av arbeidsområdet eller berøre verktøyet eller strømkabelen.
4. **Kle deg riktig**  
Ha ikke på deg løstsittende klær eller smykker. De kan sette seg fast i de bevegelige delene. Vi anbefaler gummihandsker og sko som ikke glir når du arbeider utendørs. Bruk hårnnett hvis du har langt hår.
5. **Personlig vern**  
Bruk vernebriller. Bruk en ansikts- eller støvmaske når operasjonene kan forårsake støv eller flyvende partikler. Bruk ørevern når støynivået virker ukomfortabelt.
6. **Vern mot elektrisk støt**  
Unngå kroppskontakt med jordede overflater (f. eks. rør, radiatorer, komfyrer og kjøleskap). Strømsikkerheten kan forbedres ytterligere ved bruk av jordfeilbryter med høy følsomhet (30 mA/30 mS).
7. **Strekk deg ikke for langt**  
Pass på at du alltid har sikkert fotfeste og balanse.
8. **Vær oppmerksom**  
Se på det du gjør. Bruk sunn fornuft. Bruk ikke maskinen når du er trett.
9. **Sikre arbeidsstykket**  
Bruk tvinger eller skrustikker til å feste arbeidsstykket med. Dette er sikrere enn å bruke hånden, og du får begge hendene fri til å styre verktøyet.
10. **Kople til støvutsugsutstyr**  
Hvis det følger med utstyr for tilkopling av støvutsug og støvoppsamling, må du sørge for at dette koples til og brukes riktig. NB! Benytt kun grovsugere!

## 11. Fjern nøkler

Gjør det til vane å sjekke om nøkler og justeringsverktøy er fjernet før verktøyet startes.

## 12. Skjøteledninger

Før bruk må du kontrollere skjøteledningen og bytte den ut hvis den er skadet. Når du bruker verktøyet utendørs, må du kun bruke skjøteledninger beregnet for utendørs bruk.

## 13. Bruk riktig verktøy

Bruk ikke verktøyet til formål det ikke er ment for. Tving ikke en maskin til å gjøre arbeid som krever kraftigere verktøy. Bruk bare tilbehør og utstyr som anbefales i bruksanvisningen og i katalogene. Overbelast ikke verktøyet.

**Advarsel!** Bruk av annet verktøy eller tilbehør kan medføre en mulig risiko for personskade.

## 14. Sjekk verktøyet for skader

Kontroller verktøyet og strømledningen grundig for skade før bruk. Se etter feiljusteringer, om deler har satt seg fast eller har gått i stykker, skadede deksler og brytere eller andre forhold som kan påvirke bruken av verktøyet.

Kontroller at verktøyet fungerer som det skal og utfører beregnet funksjon.

Bruk aldri verktøyet hvis noen av delene er skadet. Ikke bruk verktøyet hvis det ikke er mulig å slå det på og av med strømbryteren. Hvis noen av delene er skadet så få de reparert eller byttet ut av et autorisert Black & Decker serviceverksted. Prøv aldri å reparere selv.

## 15. Trekk ut støpselet

Trekk ut støpselet når verktøyet ikke er i bruk, før du bytter noen av delene på verktøyet, tilbehør eller tilslutning og før vedlikeholdelse.

## 16. Unngå utilsiktet start

Bær aldri verktøyet med fingeren på strømbryteren. Pass på at verktøyet er slått av når du setter i støpselet.

## 17. Ikke mislighold ledningen

Ikke bær verktøyet etter ledningen eller trekk i ledningen når du skal ta ut støpselet. Utsett ikke ledningen for varme, olje, eller skarpe kanter.

## 18. Oppbevar verktøy på et trygt sted

Når verktøyet ikke er i bruk, bør det oppbevares på et tørt sted som er låst eller høyt oppe, utenfor barns rekkevidde.

## 19. Vær nøye med vedlikeholdet

Hold verktøyet rent og bruk skarpe tilbehør for bedre prestasjon og sikrere drift.

Følg forskriftene når det gjelder vedlikehold og skifte av tilbehør. Hold håndtakene og brytere tørre, rene og fri for olje og fett.

## 20. Reparasjoner

Dette verktøyet overholder relevante sikkerhetskrav. Reparasjoner må bare utføres av autoriserte Black & Decker serviceverksteder som benytter originale reservedeler, ellers kan det være farlig å bruke utstyret.

### Tilleggsinstruksjoner for sikkerhet ved bruk av overfreser



Ha på deg vernebriller når du bruker dette verktøyet.

- ◆ Bruk bare fresestål med en skaftdiameter som er lik størrelsen på chucken som er installert på verktøyet.
- ◆ Bruk bare fresestål som passer for verktøyets tomgangshastighet.
- ◆ Bruk aldri fresestål med en diameter som overskrider maksimumsdiameteren angitt i avsnittet om tekniske opplysninger.
- ◆ Bruk ikke verktøyet opp ned.
- ◆ Forsøk ikke å bruke verktøyet når det står stille.
- ◆ Vær spesielt forsiktig når du freser MDF eller overflater som er belagt med blybasert maling:
  - Bruk en spesialmaske som verner mot blystøv og damp, og pass på at andre som kommer inn der du arbeider, også beskytter seg.
  - La ikke barn eller gravide komme inn der du arbeider.
  - Ikke spis, drikk eller røyk der du arbeider.
  - Kvitt deg med støvpartikler eller annet avfall på en miljøvennlig måte.

### ELEKTRISK SIKKERHET

Den elektriske motoren er kun konstruert for én spenning. Kontroller alltid at nettspenningen er i overensstemmelse med spenningen på typeskiltet.



Verktøyet er dobbeltisolert i samsvar med EN 50144. Jordet ledning er derfor ikke nødvendig.

## Bruk med skjøteledning

Bruk en godkjent skjøteledning som er egnet til dette verktøyets kraftbehov (se tekniske data). Før bruk må du kontrollere at skjøteledningen ikke er skadet eller slitt. Skift ut skjøteledningen hvis den er skadet. Hvis du bruker en kabeltrommel, vikl alltid ut all ledningen. Bruk av skjøteledning som er uegnet som strømtilførsel til verktøyet eller som er skadet eller defekt, kan føre til fare for brann og elektrisk støt.

### INNHold I KARTONGEN

Kartongen inneholder:

- 1 Overfres
  - 3 Chucker
  - 1 Skrunøkkel
  - 1 Kantguide
  - 1 Støvutsugsadapter
  - 1 Sentreringspinne
  - 1 Kopifølger
  - 1 Avstandsplate
  - 1 Malguide
  - 1 Bruksanvisning
- ◆ Pakk forsiktig ut alle delene.

### OVERSIKT (fig. A)

1. Strømbryter
2. Låseknapp
3. Knapp for variabel hastighet
4. Stempellåshendel
5. Festeskruer til kantguide
6. Chuck
7. Spindellåseknapp
8. Revolverdybdestopp
9. Dybdestoppstang
10. Låseskruer
11. Skjæredybdeskala
12. Støvutsugsadapter

### MONTERING



Før du forsøker noe av følgende, må du passe på at verktøyet er slått av og koplet fra strømtilførselen, og at spindelen er stoppet.

**Sette på et fresestål (fig. B)**

- ◆ Hold spindellåsen (7) nede, og drei på spindelen til spindellåsen er festet.
- ◆ Løsne chuckmutteren (13) ved hjelp av medfølgende skiftenøkkel.
- ◆ Sett inn fresestålskaftet (14) i chucken (6). Kontroller at skaftet stikker minst 3 mm ut fra chucken, som vist.
- ◆ Hold spindellåsen (7) nede, og stram til chuckmutteren (13) ved hjelp av den medfølgende skrunøkkel.

**Sette på kantguiden (fig. C)**

Kantguiden bidrar til at verktøyet kan føres parallelt med en kant.

- ◆ Sett inn stengene (15) i overfresbasen, som vist.
- ◆ Still kantguiden (11) til ønsket avstand.
- ◆ Stram festeskruene (5).

**Sette på støvutsugsadapteren (fig. D)**

Med støvutsugsadapteren kan du koble en støvsuger til verktøyet.

- ◆ Plasser støvutsugsadapteren (12) nederst på verktøyet, som vist.
- ◆ Sett inn de to skruene (16) fra bunnen gjennom hullene i bunnen og i støvutsugsadapteren.
- ◆ Sett en mutter (17) på hver av skruene, og stram dem.

**Montere malguiden (fig. M & D)**

- ◆ Sett malguiden (20) på bunnen av overfresen, med flensen nederst (= arbeidsemnet).
- ◆ Sett inn de to lange skruene (16) i malguiden fra undersiden og før dem gjennom hullene i bunnen.
- ◆ Støvutsugsadapteren plasseres oppå bunnen, som vist i fig. D.
- ◆ Sett en mutter (17) på hver av skruene, og stram dem.

**Montere avstandsstykket (fig. N)**

- ◆ Monter avstandsstykket (21) på bunnen av overfresen ved hjelp av medfølgende skruer.

**Montere sentreringspinnen (fig. O)**

- ◆ Sett kantguiden på overfresen som vist i fig. C, men opp-ned.

- ◆ Monter sentreringspinnen (22) på arbeidsemnesiden av kantguiden med medfølgende skrue (23)

**Montere kopifølgeren (fig. P)**

- ◆ Sett kantguiden på overfresen som vist i fig. C.
- ◆ Monter "L"-stangen (24) på oversiden av kantguiden ved hjelp av de to medfølgende skruene og mutterne.
- ◆ Monter rotasjonsenheten (25) på "L"-stangen med medfølgende vingskrue.

**BRUK**

La verktøyet jobbe i sin egen hastighet. Ikke overbelast.

- ◆ Før ledningen forsiktig, slik at du unngår å kappe den over ved et uhell.

**Justere skjæredybden (fig. E).**

Skjæredybden er avstanden X mellom dybdestoppstangen (9) og dybdestoppet (18). Skjæredybden kan innstilles på to forskjellige måter, som beskrevet nedenfor.

Justere skjæredybden ved hjelp av en trebit (fig. A & F).

- ◆ Monter fresestålet som beskrevet ovenfor.
- ◆ Løsne låseskruene (10).
- ◆ Dra stempellåshendelen (4) opp.
- ◆ Trykk overfresen ned til fresestålet berører arbeidsemnet.
- ◆ Dra stempellåshendelen (4) ned.
- ◆ Dra dybdestoppstangen (9) opp.
- ◆ Legg en trebit med samme tykkelse som ønsket skjæredybde mellom dybdestoppet (18) og dybdestoppstangen (9).
- ◆ Stram til låseskruen (10).
- ◆ Fjern trebiten.
- ◆ Dra stempellåshendelen (4) opp og la overfresen gå tilbake til opprinnelig posisjon.
- ◆ Når du har slått overfresen på, senker du den og foretar ønsket skjæring.

Justere skjæredybden ved hjelp av skalaen (fig. A & G).

- ◆ Monter fresestålet som beskrevet ovenfor.

- ◆ Løsne låseskruene (10).
- ◆ Dra stempellåshendelen (4) opp.
- ◆ Trykk overfresen ned til fresestålet berører arbeidsemnet.
- ◆ Dra stempellåshendelen (4) ned.
- ◆ Les av startposisjonen på skalaen (11).
- ◆ Legg til ønsket skjæredybde til startposisjonen.
- ◆ Flytt dybdestoppstangen (9) til den utregnede posisjonen på skalaen.
- ◆ Stram til låseskruen (10).
- ◆ Dra stempellåshendelen (4) opp og la overfresen gå tilbake til opprinnelig posisjon.
- ◆ Når du har slått overfresen på, senker du den og foretar ønsket skjæring.

### **Justere revolverdybdestoppet (fig. H)**

Når du har satt revolverdybdestoppet på ønsket innstilling, kan du finjustere dybdestoppet som skal brukes. Hvis du vil skjære flere ganger med forskjellig skjæredybde, justerer du hver av disse dybdestoppene.

- ◆ Vri dybdestoppskruen (19) opp eller ned ved hjelp av en skrutrekker.

### **Stille inn hastigheten (fig. A)**

- ◆ Sett hastighetsknappen (3) på ønsket hastighet. Bruk høy hastighet for fresestål med små diametere. Bruk lav hastighet for fresestål med store diametere.

### **Bruke en planke som guide (fig. I)**

Når det ikke er mulig å bruke kantguiden, for eksempel ved fresing av spor på baksiden av en bokhylle for å støtte opp hyller, går du frem på følgende måte:

- ◆ Plasser en planke på arbeidsemnet.
- ◆ Flytt planken til den er i riktig posisjon til å lede verktøyet.
- ◆ Sett fast planken på arbeidsemnet.

### **Bruke malguiden (fig. M)**

Malguiden kan brukes til å skjære ut en form ved hjelp av en mal, for eksempel en bokstav.

- ◆ Fest malen over arbeidsemnet med dobbeltsidig tape eller g-klemmer.
- ◆ Overfresbiten må stikke lenger ut enn flensen på malguiden når arbeidsemnet skal skjæres til etter en mal.

### **Bruke avstandsstykket (fig. N)**

Avstandsstykket kan brukes til beskæring av vertikale biter som stikker ut fra tre eller laminat.

### **Bruke sentreringspinnen (fig. O)**

Sentreringspinnen kan brukes ved utskjæring av sirkelmønstre.

- ◆ Bor et hull til sentreringspinnen midt i sirkelen som skal skjæres ut.
- ◆ Plasser overfresen på arbeidsemnet med punktet til sentreringspinnen i det borede hullet.
- ◆ Juster sirkelradiusen med stengene på kantguiden.
- ◆ Overfresen kan nå beveges over arbeidsemnet, og sirkelen skjæres ut.

### **Bruke kopifølgeren (fig. P)**

Kopifølgeren hjelper deg å holde lik sagavstand langs kanten av arbeidsemner med uregelmessig form.

- ◆ Plasser overfresen på arbeidsemnet i ønsket avstand fra kanten som skal kopieres.
- ◆ Juster stengene på kantguiden til hjulet kommer i kontakt med arbeidsemnet.

### **Start og stopp (fig. A)**

#### **Starte**

- ◆ Hold låseknappen (2) nede og trykk på strømbryteren (1).
- ◆ Slipp låseknappen.

#### **Stoppe**

- ◆ Slipp strømbryteren.

### **Råd for optimalt resultat**

- ◆ Når du arbeider på ytre kanter, beveger du verktøyet mot klokken (fig. J). Når du arbeider på indre kanter, beveger du verktøyet med klokken.
- ◆ Bruk HSS-fresestål for mykt treverk.
- ◆ Bruk TCT-fresestål for hardt treverk.
- ◆ Du kan bruke verktøyet uten guide (fig. K). Dette er nyttig for å lage skilt og kreative arbeider. Lag kun overflatiske kutt.
- ◆ Se tabellen nedenfor for vanlige freseståltyper.

**Fresestål (fig. L)**

Beskrivelse	Bruksområde
Rett fres (1)	Spor og falsinger
Trimfres (2)	Trimming av laminat eller hardt treverk, nøyaktig profilering ved hjelp av en mal
Falsfres (3)	Falsinger på rette eller bøyde arbeidsemner
V-fres (4)	Spor, gravering og kantfasing
Kjernerkesfres (5)	Renner, graveringer og dekorativ kantutfresing
Profilfres (6)	Dekorativ kantutfresing
Profilfres (7)	Dekorativ kantutfresing
Avrundingsfres (8)	Avrunding av kanter
Svalehalefres (9)	Svalehalesammenføyninger
Vinkelfres (10)	Vinkelkanter

**VEDLIKEHOLD**

Ditt Black & Decker verktøy har blitt utformet for å være i drift over en lang periode med et minimum av vedlikehold. Ved riktig vedlikehold og regelmessig rengjøring beholder verktøyet sin prestasjon.



Før du setter igang hvilke som helst vedlikeholdelse må verktøyet slås av og kontakten trekkes ut.

- ◆ Rengjør luftinntaket på verktøyet regelmessig med en myk børste eller en tørr klut.
- ◆ Rengjør kåpen regelmessig med en fuktig klut. Ikke bruk slipende eller løsemiddelbaserte rengjøringsmidler.

**MILJØ**

Når verktøyet ditt er utslitt, beskytt naturen ved ikke å kaste det sammen med vanlig avfall. Lever det til en oppsamlingsplass som finnes i din kommune eller der hvor du kjøpte verktøyet.

**Tekniske data**

		KW850E
Spenning	V <sub>AC</sub>	230
Inn-effekt	W	1.100
Hastighet ubelastet	min <sup>-1</sup>	8.000 - 28.000
Chuckstørrelse		6 mm, 1/4", 8 mm
Maks. diameter, fresestål	mm	33
Maks. skjæredybde	mm	55
Vekt	kg	3,3

**RESERVDeler / REPARASJONER**

Reservdeler kan kjøpes hos autoriserte Black & Decker serviceverksteder, som også gir kostnadsoverslag og reparerer våre produkter.

Oversikt over våre autoriserte serviceverksteder finnes på Internet, vår hjemmeside [www.blackdecker.no](http://www.blackdecker.no) samt [www.2helpU.com](http://www.2helpU.com).

**GARANTI**

Black & Decker garanterer at produktet ikke har material- og/eller fabrikkasjonsfeil ved levering til kunde. Garantien er i tillegg til kundens lovlige rettigheter og påvirker ikke disse. Garantien gjelder innen medlemsstatene i den Europeiske Unionen og i det Europeiske Frihandelsområdet.

Hvis et Black & Decker produkt går i stykker på grunn av material- og/eller fabrikkasjonsfeil eller har mangler i forhold til spesifikasjonene, innen 24 måneder fra kjøpet, påtar Black & Decker seg å reparere eller bytte ut produktet med minst mulig vanskelighet for kunden.

Garantien gjelder ikke for feil som kommer av:

- ◆ normal slittasje
- ◆ feilaktig bruk eller vedlikehold (mislighold)
- ◆ at produktet har blitt skadet av fremmede gjenstander, emner eller ved et uhell

Det gjøres oppmerksom på at produktet ikke er beregnet på industriell/profesjonell/yrkesmessig bruk, men til hus- og hjemmebruk.

Garantien gjelder ikke om reparasjoner har blitt utført av noen andre enn et autorisert Black & Decker serviceverksted.

For å ta garantien i bruk skal produktet og kjøpekvittering leveres til forhandleren eller til et autorisert serviceverksted senest 2 måneder etter at feilen har blitt oppdaget. For informasjon om nærmeste autoriserte serviceverksted; kontakt det lokale Black & Decker kontoret på den adressen som er angitt i bruksanvisningen. En oversikt over alle autoriserte serviceverksteder samt servicevilkår finnes også tilgjengelig på Internet, adresse: [www.2helpU.com](http://www.2helpU.com).

## ANDRE GJØR-DET-SELV VERKTØY

Black & Decker har et stort utvalg av verktøy slik at alle gjør-det-selv jobbene blir enklere. Kontakt nærmeste Black & Decker forhandler for ytterligere informasjon eller besøk vår hjemmeside: [www.blackdecker.no](http://www.blackdecker.no).

Bormaskiner  
Oppladbare skrutrekkere  
Oppladbare bormaskiner/skrutrekkere  
Slipemaskiner  
Sirkelsager  
Stikksager  
Vinkelslipere  
Høvler  
Håndoverfresere  
Multiverktøy  
Varmluftpistoler  
Kapp- og gjærsager  
Arbeidsbenker

Vi har også et stort utvalg av tilbehør for verktøyene ovenfor.

Ikke alle produkter er tilgjengelige i alle land.



# HÅNDOVERFRÆSER KW850E

Tak fordi du valgte Black & Decker. Vi håber at du får glæde af dette værktøj i mange år fremover.

## EU-OVERENSSTEMMELSESERKLÆRING



**KW850E**

Black & Decker erklærer, at disse værktøjer er konstrueret i henhold til: 98/37/EØF, 89/336/EØF, 73/23/EØF, EN 50144, EN 55014, EN 61000

Lydniveaueet målt i henhold til EN 50144:

		KW850E
LpA (lydniveau)	dB(A)	85,5
LWA (akustisk styrke)	dB(A)	98,5



Anvend høreværn, hvis lydniveaueet overstiger 85 dB(A).

Den vægtede geometriske middelværdi af accelerationsfrekvensen i henhold til EN 50144:

		KW850E
		< 2,5 m/s <sup>2</sup>

Kevin Hewitt

Director of Consumer Engineering  
Spennymoor, County Durham DL16 6JG,  
United Kingdom

## ANVENDELSESOMRÅDE

Din Black & Decker håndoverfræser KW850E er designet til at fræse i træ og træprodukter.

Værktøjet er kun beregnet til privat brug.

## SIKKERHEDSINSTRUKTIONER

### Piktogrammer

Følgende piktogrammer anvendes i denne brugsanvisning:



Angiver risiko for personskade, livsfare eller ødelæggelse af værktøjet, hvis brugsanvisningens instruktioner ikke følges.



Angiver risiko for elektrisk stød.



Læs brugsanvisningen igennem, inden værktøjet tages i brug.

### Lær værktøjet at kende



- ◆ **Advarsel!** Ved brug af elværktøj skal de grundlæggende sikkerhedsforanstaltninger altid følges, således at risikoen for brand, elektrisk stød, person- og materialeskader begrænses.
- ◆ Læs denne brugsanvisning igennem, inden værktøjet tages i brug.
- ◆ Du skal sikre dig, at du ved, hvordan værktøjet slukkes, inden det tages i brug.
- ◆ Opbevar brugsanvisningen let tilgængeligt.

## Generelt

### 1. Hold arbejdsområdet i orden

Risikoen for uheld er mindre hvis man holder orden omkring arbejdsområdet.

### 2. Tænk på arbejdsmiljøets indflydelse

Udsæt ikke værktøjet for regn. Anvend ikke værktøjet på fugtige eller våde pladser. Sørg for en god belysning over arbejdsområdet. Anvend ikke værktøjet hvor der eksisterer risiko for at brand kan opstå eller eksplosioner forekomme, som følge af brug af værktøjet. F. eks. aldrig i nærheden af let antændelige væsker eller gasser.

### 3. Hold børnene på afstand

Børn, besøgende eller dyr må ikke nærme sig arbejdsområdet eller røre ved værktøjet eller netkablet.

### 4. Klæd dig rigtigt på

Bær ikke løst hængende tøj eller smykker. De kan sidde fast i bevægelige dele. Gummihandsker og skridsikre sko anbefales ved udendørs arbejde. Brug hårnet, hvis du har langt hår.

### 5. Personlig beskyttelse

Brug beskyttelsesbriller. Brug ansigts- eller støvmaske, når brug af værktøjet kan medføre støv eller flyvende partikler. Brug høreværn, når lydniveauet virker generende.

### 6. Beskyttelse mod elektrisk stød

Undgå kropskontakt med jordede emner (f.eks. rør, radiatorer, komfurer og køleskabe). Den elektriske sikkerhed kan forbedres yderligere ved brug af en højfølsom (30 mA / 30 mS) fejlstrømsafbryder (RCD).

### 7. Stræk dig ikke for meget

Sørg for, at du altid har sikkert fodfæste og balance.

### 8. Vær opmærksom

Se på det, du gør. Brug din sunde fornuft. Brug ikke værktøjet, når du er træt.

### 9. Sæt arbejdsemnet fast

Brug skruetvinger eller skruestik for at spænde arbejdsemnet fast. Det er sikrere end at bruge hånden, og du får begge hænder fri til arbejdet.

### 10. Tilslut støvudsugningsudstyret

Hvis der findes enheder til tilslutningsfunktionerne støvudsugning og støvopsamling, skal man sørge for, at disse tilsluttes og bruges korrekt.

### 11. Fjern nøglerne

Kontroller at nøgler og justerværktøj er fjernet fra værktøjet, inden det startes.

### 12. Forlængerkabler

Før brugen skal forlængerkablet efterses og udskiftes, hvis det er skadet. Ved brug af værktøjet udendørs må man kun benytte forlængerledninger, der er beregnet til udendørs brug.

### 13. Brug det rigtige værktøj

Brugen af værktøjet er beskrevet i denne brugsanvisning. Tving ikke elværktøj til at udføre arbejde, som er beregnet til kraftigere værktøj. Brug kun tilbehør og dele, der er anbefalet i brugsanvisningen og katalogerne. Værktøjet må ikke forceres.

**Advarsel!** Anvendelsen af andet tilbehør eller udførelse af opgaver med andet værktøj end det her anbefalede kan medføre risiko for personskader.

### 14. Kontrollér værktøjet for skader

Kontrollér omhyggeligt værktøjet og netkablet for beskadigelser, før det tages i brug. Check de bevægelige dele for skæv indstilling og sammenbrændinger, kontrollér for brud på dele, skader på skærme og kontakter samt alt andet, der kan påvirke værktøjets funktion. Kontrollér, at værktøjet fungerer rigtigt og kan udføre det arbejde, det er beregnet til. Værktøjet må ikke benyttes, hvis en af delene er beskadiget eller defekt. Brug ikke værktøjet, hvis det ikke kan tændes og slukkes ved afbryderen. Skadede eller defekte dele skal repareres eller udskiftes af en autoriseret tekniker. Man må aldrig forsøge selv at reparere værktøjet.

### 15. Afbryd værktøjet

Afbryd værktøjet når det er ude af brug og før udskiftning af enhver værktøjsdel, tilbehør eller andet udstyr.

### 16. Undgå utilsigtet start af værktøjet

Man må ikke bære værktøjet med en finger på tænd/sluk knappen. Sørg for, at værktøjet er slukket, når ledningen tilsluttes strømmen.

### 17. Vær forsigtig med ledningen

Man må aldrig bære værktøjet i ledningen eller tage det ud af stikkontakten ved at rive i ledningen. Ledningen skal holdes på afstand fra varme, olie og skarpe kanter.

### 18. Opbevar værktøjet sikkert, når det ikke bruges

Når værktøj ikke er i brug, skal det opbevares på et tørt sted, aflåst eller anbragt højt udenfor børns rækkevidde.

### 19. Vedligehold værktøjet omhyggeligt

Skærende værktøjer skal holdes skarpe og rene, for på denne måde at opnå et bedre og mere sikkert brug. Følg vedligeholdelsesvejledningen samt vejledningen til udskiftning af tilbehør. Hold håndtagene og knapperne tørre, rene og fri for olie og fedt.

### 20. Reparationer

Dette værktøj opfylder de relevante sikkerhedskrav. Reparationer må kun foretages af dertil kvalificerede personer, som bruger originale reservedele. I modsat fald kan der opstå betydelig fare for brugeren.

### Yderligere sikkerhedsanvisninger for håndoverfræsere



Det anbefales at bære sikkerhedsbriller, når man arbejder med dette værktøj.

- ◆ Brug udelukkende fræseskær med en akseldiameter, der svarer til størrelsen af den spændepatron, der sidder i maskinen.
- ◆ Brug udelukkende fræseskær, der er egnede til det ubelastede værktøjs højeste tilladte hastighed.
- ◆ Brug aldrig fræseskær med en diameter over den maksimumdiameter, der er angivet i afsnittet om tekniske data.
- ◆ Anvend ikke værktøjet i en omvendt position.
- ◆ Prøv ikke at bruge maskinen stationært.
- ◆ Vær særlig omhyggelig under fræsning af MDF-plader eller flader, der er dækket af blybaseret maling:
  - Man skal bære en specielt designet støvmaske til beskyttelse mod støv frembragt af blybaseret maling og blybaserede dampe, samt sikre sig, at personer inden for arbejdsområdet også er beskyttet.

- Børn og gravide kvinder må ikke betræde arbejdsområdet.
- Man må hverken spise, drikke eller ryge inden for arbejdsområdet.
- Man skal bortskaffe støvpartikler og andet affald på sikker måde.

### ELEKTRISK SIKKERHED

Elmotoren er kun beregnet til én spænding. Kontroller, at strømforsyningen svarer til spændingen på typeskiltet.



Værktøjet er dobbelt isoleret i henhold til EN 50144; jordledning er derfor ikke påkrævet.

### Anvendelse af forlængerledning

Der skal bruges en forlængerledning svarende til maskinens strømforbrug (se de tekniske specifikationer). Den mindste lederstørrelse er 1,5 mm<sup>2</sup>. Før brug kontrolleres forlængerledningen for tegn på skader, slid og ældning. Udskift forlængerledningen, hvis den bliver beskadiget eller defekt. Ved anvendelse af en kabeltromle, skal kablet altid vindes helt ud. Brug af et forlængerkabel, der ikke passer til værktøjets strøminput, eller som er beskadiget eller defekt, kan resultere i risiko for brand og elektrisk stød.

### KASSENS INDHOLD

Kassen indeholder følgende:

- 1 Håndoverfræser
  - 3 Spændepatroner
  - 1 Nøgle
  - 1 Kantguide
  - 1 Støvudsugningsadapter
  - 1 Centreringstap
  - 1 Skabelonføler
  - 1 Afstandsplade
  - 1 Skabelonguide
  - 1 Brugsvejledning
- ◆ Pak forsigtigt alle dele ud.

### OVERSIGT (fig. A)

1. Afbryder
2. Låseknop
3. Betjeningsknop til variabel hastighed

4. Dykkelåsestang
5. Fastgørelsesskruer til kantguide
6. Spændepatron
7. Spindellåseknop
8. Revolver dybdestop
9. Dybdestopstang
10. Låseskrue
11. Skæredybdeskala
12. Støvudsugningsadapter

## MONTERING



Før man udfører nogen af nedenstående operationer, skal man sikre sig, at værktøjet er slukket og taget ud af stikkontakten, og at spindelen er standset.

### Isætning af fræseskær (fig. B)

- ◆ Hold spindellåsen (7) nedtrykket, og drej spindelen, indtil spindellåsen går helt i hak.
- ◆ Løsn spændepatronmøtrikken (13) ved hjælp af medfølgende nøgle
- ◆ Sæt fræseskærets skaft (14) ind i spændepatronen (6). Sørg for, at skaftet stikker mindst 3 mm frem fra spændepatronen som vist.
- ◆ Hold spindellåsen (7) trykket ind, og stram spændepatronmøtrikken (13) med den vedlagte nøgle.

### Påsætning af kantguiden (fig. C)

Kantguiden hjælper med til at føre maskinen parallelt med en kant.

- ◆ Sæt stængerne (15) ind i håndoverfræserens basis som vist.
- ◆ Indstil kantguiden til den ønskede afstand.
- ◆ Stram fastgøringsskruerne (5).

### Påsætning af støvudsugningsadapteren (fig. D)

Med støvudsugningsadapteren kan man sætte en støvsuger på maskinen.

- ◆ Anbring støvudsugningsadapteren (12) på maskinens basis som vist.
- ◆ Sæt de to skruer (16) fra bunden gennem hullerne i basis og i støvudsugningsadapteren.
- ◆ Sæt en møtrik (17) på hver af skruerne, og stram møtrikkerne godt til.

### Påsætning af skabelonguiden (fig. M og D)

- ◆ Fastgør skabelonguiden (20) til håndoverfræserens basis med flangen vendt mod bunden (= arbejdsområdet).
- ◆ Sæt de to lange skruer (16) fra bunden gennem skabelonguiden og hullerne i basis.
- ◆ Støvudsugningsadapteren skal placeres oven på basis som vist i fig. D.
- ◆ Sæt en møtrik (17) på hver af skruerne, og stram møtrikkerne godt til.

### Montering af afstandsstykket (fig. N)

- ◆ Fastgør afstandsstykket (21) til håndoverfræserens basis ved hjælp af de medfølgende skruer.

### Montering af centreringstappen (fig. O)

- ◆ Montér kantguiden til håndoverfræseren som vist i fig. C, men med bunden i vejret.
- ◆ Fastgør centreringstappen (22) til arbejdsområdet af kantguiden med den medfølgende skrue (23).

### Montering af skabelonføleren (fig. P)

- ◆ Montér kantguiden til håndoverfræseren som vist i fig. C.
- ◆ Fastgør 'L'-beslaget (24) til oversiden af kantguiden ved hjælp af medfølgende to skruer og møtrikker.
- ◆ Montér det roterende tilbehør (25) til 'L'-beslaget med den medfølgende vingskrue.

## ANVENDELSE



Lad maskinen arbejde i eget tempo. Det forhindrer den i at blive overbelastet.

- ◆ Arbejd forsigtigt med kablet for at undgå at komme til at klippe det over.

### Justering af skæredybden (fig. E)

Skæredybden er afstanden X mellem dybdestopstangen (9) og dybdestoppet (18). Skæredybden kan indstilles på to forskellige måder som beskrevet nedenfor.

Justering af skæredybden med et stykke træ (fig. A & F)

- ◆ Monter fræseskæret som beskrevet ovenfor.

- ◆ Løsn låseskruen (10).
- ◆ Træk dykkelåsestangen (4) op.
- ◆ Dyk håndoverfræseren ned, indtil fræseskæret berører arbejdsemnet.
- ◆ Skub dykkelåsestangen (4) ned.
- ◆ Træk dybdestopstangen (9) op.
- ◆ Anbring et stykke træ med en tykkelse, der svarer til den ønskede skæredybde mellem dybdestoppet (18) og dybdestopstangen (9).
- ◆ Stram låseskruen (10).
- ◆ Fjern træstykket.
- ◆ Træk dykkelåsestangen (4) op, og lad håndoverfræseren vende tilbage til sin oprindelige stilling.
- ◆ Tænd for håndoverfræseren, dyk den ned, og lav det ønskede snit.

#### Justering af skæredybden med skalaen (fig. A & G)

- ◆ Monter fræseskæret som beskrevet ovenfor.
- ◆ Løsn låseskruen (10).
- ◆ Træk dykkelåsestangen (4) op.
- ◆ Dyk håndoverfræseren ned, indtil fræseskæret berører arbejdsemnet.
- ◆ Skub dykkelåsestangen (4) ned.
- ◆ Aflæs startposition på skalaen (11).
- ◆ Tilføj den ønskede skæredybde til startpositionen.
- ◆ Før dybdestopstangen (9) til den beregnede position på skalaen.
- ◆ Stram låseskruen (10).
- ◆ Træk dykkelåsestangen (4) op, og lad håndoverfræseren vende tilbage til sin oprindelige stilling.
- ◆ Tænd for håndoverfræseren, dyk den ned, og lav det ønskede snit.

#### Indstilling af revolver dybdestoppet (fig. H)

Når revolver dybdestoppet er drejet til den ønskede indstilling, kan man finjustere det dybdestop, der skal bruges. Hvis du ønsker at foretage flere snit med forskellig skæredybde, skal hvert af dybdestoppene indstilles.

- ◆ Drej dybdestopskruen (19) op eller ned efter behov med en skruetrækker.

#### Indstilling af hastigheden (fig. A)

- ◆ Indstil hastighedskontrolknappen (3) på den ønskede indstilling.

Brug høj hastighed til fræseskær med lille diameter. Brug lav hastighed til fræseskær med stor diameter.

#### Brug et bræt som styreskinne (fig. I)

Gå således til værks, hvis det ikke er muligt at bruge kantguiden, for eksempel ved fræsning af riller i bagpanelet på en bogreol for at understøtte hyldeerne:

- ◆ Anbring et bræt på arbejdsemnet.
- ◆ Bevæg brættet, indtil det er i den rigtige position for at styre værktøjet.
- ◆ Klem brættet sikkert fast til arbejdsemnet.

#### Brug af skabelonguiden (fig. M)

Skabelonguiden kan bruges til at lave en udskåret figur efter en skabelon, for eksempel et bogstav.

- ◆ Fastgør skabelonen på arbejdsemnet med dobbeltsidet tape eller med 'G'-klemmer.
- ◆ Fræseskæret skal rage ud under skabelonguidens flange for at kunne skære arbejdsemnet i skabelonens form.

#### Brug af afstandsstykket (fig. N)

Afstandsstykket kan bruges til trimning af lodrette projektioner af træ eller laminat.

#### Brug af centreringstappen (fig. O)

Centreringstappen kan bruges til at udskære runde mønstre med.

- ◆ Bor et hul til centreringstappen i midten af den cirkel, der skal skæres.
- ◆ Placér håndoverfræseren på arbejdsemnet med centreringstappen i det borede hul.
- ◆ Justér cirkelens radius efter kantguidens stænger.
- ◆ Håndoverfræseren kan nu bevæges over arbejdsemnet for at udskære cirklen.

#### Brug af skabelonføleren (fig. P)

Skabelonføleren er med til at holde samme skæringsafstand langs med kanten af uregelmæssigt formede arbejdsemner.

- ◆ Placér håndoverfræseren på arbejdsemnet med den ønskede afstand fra den kant, der skal kopieres.
- ◆ Justér kantguidens stænger, til hjulet er i kontakt med arbejdsemnet.

## Start og stop (fig. A)

### Tænding

- ◆ Hold låseknappen (2) inde, og tryk på afbryderen (1).
- ◆ Slip låseknappen.

### Slukning

- ◆ Slip afbryderknappen.

## Gode råd til optimalt brug

- ◆ Når der arbejdes på udvendige kanter, skal værktøjet føres mod uret (fig. J). Når der arbejdes på indvendige kanter, skal værktøjet føres med uret.
- ◆ Brug fræseskær af hurtigstål til nåletræ.
- ◆ Brug TCT-fræseskær til løvtræ.
- ◆ Værktøjet kan bruges uden styreskinne (fig. K). Dette er nyttigt i forbindelse med skiltemaling og kreativt arbejde. Lav kun lave snit.
- ◆ Se de gængse typer af fræseskær i tabellen nedenfor.

## Fræseskær (fig. L)

Beskrivelse	Emne
Lige skær (1)	Riller og false
Trimmeskær (2)	Til trimning af laminaer eller løvtræ. Nøjagtig profilering med en skabelon
Sammenfalsningsskær (3)	False på lige eller kurvede arbejdsemner
V-rille skær (4)	Riller, indgravning and kantaffasning
Kerneboks-skær (5)	Kanellering, indgravning og dekorativ kantformning
Bugtskær (6)	Dekorativ kantformning
Karnisformningsskær (7)	Dekorativ kantformning
Afrundingsskær (8)	Afrunding af kanter
Svalehaleskær (9)	Svalehalesamlinger
Faseskær (10)	Affasede kanter

## VEDLIGEHODELSE

Deres Black & Decker værktøj er designet til at være i drift gennem en længere periode med en minimal vedligeholdelse. Fortsat tilfredsstillende drift afhænger af en korrekt behandling af værktøjet samt regelmæssig rengøring.



Før vedligeholdelse eller rengøring af værktøjet, skal det være slukket og taget ud af stikkontakten.

- ◆ Man skal regelmæssigt rense værktøjets ventilationshuller med en blød børste eller en tør klud.
- ◆ Man skal regelmæssigt gøre motorhuset rent med en fugtig klud. Man må ikke benytte slibemidler eller opløsningsmidler.

## MILJØ



Når dit værktøj er udtjent, beskyt da naturen ved ikke at smide det ud sammen med det almindelige affald. Aflever det til de opsamlingssteder, der findes i din kommune eller der hvor du købte værktøjet.

## Tekniske data

	KW850E
Spænding	V <sub>AC</sub> 230
Motoreffekt	W 1.100
Ubelastet hastighed	min <sup>-1</sup> 8.000 - 28.000
Spændepatrøns størrelse	6 mm, 1/4", 8 mm
Fræseskærets maks. diameter	mm 33
Maks. skæredybde	mm 55
Vægt	kg 3,3

## RESERVEDELE / REPARATIONER

Reserve dele kan købes hos autoriserede Black & Decker serviceværksteder, som giver forslag til omkostninger og reparerer vore produkter. Oversigt over vore autoriserede værksteder findes på internettet på vor hjemmeside [www.blackdecker.dk](http://www.blackdecker.dk) samt [www.2helpU.com](http://www.2helpU.com).

**GARANTI**

Black & Decker garanterer, at produktet er fri for materielle skader og/eller fabrikations- fejl ved levering til kunden. Garantien er et tillæg til konsumentens lovlige rettigheder og påvirker ikke disse. Garantien gælder indenfor medlemsstaterne af den Europæiske Union og i det Europæiske Frihandelsområde.

Hvis et Black & Decker produkt går i stykker på grund af materiel skade og/eller fabrikationsfejl eller på anden måde ikke fungerer i overensstemmelse med specifikationen, inden for 24 måneder fra købsdatoen, påtager Black & Decker sig at reparere eller ombytte produktet med mindst muligt besvær for kunden.

Garantien gælder ikke for fejl og mangler, der er sket i forbindelse med:

- ◆ normal slitage
- ◆ uheldige følger efter unormal anvendelse af værktøjet
- ◆ overbelastning, hærværk eller overdrevent intensivt brug af værktøjet
- ◆ ulykkeshændelse

Garantien gælder ikke hvis reparationer er udført af nogen anden end et autoriseret Black & Decker værksted.

For at udnytte garantien skal produktet og købskvitteringen indleveres til forhandleren eller til et autoriseret værksted, senest 2 måneder efter at fejlen opdages. For information om nærmeste autoriserede værksted: kontakt det lokale Black & Decker kontor på den adresse som er opgivet i brugsanvisningen. Liste over alle autoriserede Black & Decker serviceværksteder samt servicevilkår er tilgængelig på internettet, på adressen [www.2helpU.com](http://www.2helpU.com).

**ANDET GØR-DET-SELV VÆRKTØJ**

Black & Decker har en lang række kvalitetsprodukter indenfor elværktøj og havemaskiner. Hvis De ønsker yderligere information omkring vore produkter, bedes De kontakte vore Service- og informationscentre (se adressesiden sidst i denne brugervejledning), eller kontakte Deres lokale Black & Decker forhandler.

Boremaskiner  
 Batteridrevne skruetrækkere  
 Batteridrevne boremaskiner/skruetrækkere  
 Slibemaskiner  
 Stiksage  
 Rundsage  
 Kap/geringslave  
 Vinkelslibere  
 Høvle  
 Fræsere  
 Batteridrevet multiværktøj  
 Multiværktøj med ledning  
 Varmluftpistoler  
 Arbejdsbænke

Vi har også en lang række tilbehør til ovenfor nævnte værktøj.

En del af produkterne findes ikke i alle lande.

# JYRSIN KW850E

Kiitos, että olet valinnut Black & Decker -koneen. Toivomme, että nautit koneen käytöstä monen vuoden ajan.

## CE-VAATIMUSTENMUKAISUUSVAKUUTUS



### KW850E

Black & Decker vakuuttaa, että nämä työkalut ovat 98/37/EC, 89/336/EEC, 73/23/EEC, EN 50144, EN 55014, EN 61000 mukaiset.

Melutaso, mitattu EN 50144:n mukaisesti:

		KW850E
L <sub>PA</sub>	(äänenpaine) dB(A)	85,5
L <sub>WA</sub>	(ääniteho) dB(A)	98,5



Käytä kuulosuojaimia, jos melutaso ylittää 85 dB(A).

Tärinätaajuuden painotettu geometrinen keskiarvo EN 50144 mukaisesti:

		KW850E
		< 2,5 m/s <sup>2</sup>

Kevin Hewitt

Director of Consumer Engineering  
Spennymoor, County Durham DL16 6JG,  
United Kingdom

## KÄYTTÖTARKOITUS

Black & Deckerin jyrsin KW850E on suunniteltu puun ja puutuotteiden jyrsimiseen.

Kone on tarkoitettu kotikäyttöön.

## TURVALLISUUSOHJEET

### Merkit

Tässä käyttöohjeessa käytetään seuraavia merkkejä:



Osoittaa henkilövahingon, hengenmenetyksen tai konevaurion vaaraa, mikäli käyttöohjeen neuvoja ei noudateta.



Osoittaa sähköiskun vaaraa.



Lue käyttöohje huolellisesti ennen koneen käyttöönottoa.

### Tutustu koneeseen



- ◆ **Varoitus!** Sähkötyökaluja käytettäessä on aina noudatettava mm. seuraavia turvallisuusohjeita, jotta tulipalojen, sähköiskujen, henkilövahinkojen ja materiaali- vaurioiden riski olisi mahdollisimman pieni.
- ◆ Varmista, että osaat sammuttaa koneen, ennen kuin käynnistät sen.
- ◆ Säilytä käyttöohje kaikkien koneen käyttäjien ulottuvilla.



## Yleistä

1. **Pidä työskentelyalue siistinä**  
Poista roskat ja mahdolliset esteet työskentelyalueelta välttyäksesi vaurioilta.
2. **Ajattele työskentelyalueen vaikutusta työhösi**  
Älä altista sähkötyökaluja sateelle äläkä käytä niitä kosteissa tai märissä paikoissa.  
Järjestä työskentelyalueelle hyvä valaistus.  
Älä käytä konetta paikassa, jossa on tulipalotai räjähdysvaara, esim. palavien nesteiden tai kaasujen läheisyydessä.
3. **Työskentele lasten ulottumattomissa**  
Älä anna lasten, vieraiden tai eläinten tulla lähelle työskentelyaluetta tai koskea koneeseen tai sähköjohtoon.
4. **Pukeudu asianmukaisesti**  
Älä käytä liian väljiä vaatteita tai koruja. Ne voivat tarttua liikkuviin osiin. Käytä ulkona työskennellessäsi kumihansikkaita ja liukumattomia kenkiä. Jos sinulla on pitkät hiukset, käytä hiusverkkoa.
5. **Suojavaatetus**  
Käytä suojalaseja. Käytä kasvosuojaa, jos työskennellessä syntyy pölyä tai hiukkasia. Käytä kuulosuojaimia, jos melutaso tuntuu epämiellyttävältä.
6. **Suojaudu sähköiskuilta**  
Vältä kosketusta maadoitettuihin pintoihin (esim. putket, lämpöpatterit, liedet ja jääkaapit). Sähköistä turvallisuutta voidaan parantaa käyttämällä erittäin herkkää (30 mA / 30 mS) vikavirtasuojaa.
7. **Älä kurottele**  
Seiso aina tukevasti ja tasapainossa.
8. **Ole tarkkaavainen**  
Keskity työhösi. Käytä tervettä järkeä.  
Älä käytä sähkötyökalua, kun olet väsynyt.
9. **Kiinnitä työstökappale kunnolla**  
Käytä ruuvipuristinta tai -kappaletta, jotta työstökappale pysyy kunnolla kiinni.  
Näin saat molemmat kädet vapaaksi työhön.
10. **Liitä pölynpoistolaite**  
Jos koneessa on liitäntä pölynpoisto- ja pölynkeräyslaitteistolle tulee sellainen kiinnittää ja käyttää oikein. HUOM! Liitä koneeseen ainoastaan teollisuuspölynimuri.

## 11. Poista avaimet

Poista säätöavaimet ja asennustyökalut koneesta ennen kuin käynnistät sen.

## 12. Jatkojohdot

Tarkista jatkojohto ennen käyttöä, ja vaihda vaurioitunut johto uuteen. Käytettäessä konetta ulkona tulee käyttää vain ulkokäyttöön soveltuvia jatkojohtoja.

## 13. Käytä oikeaa konetta

Käytä konetta ainoastaan sellaiseen työhön, johon se on tarkoitettu. Käytä vain käyttöohjeessa ja tuotekuvastossa suositeltuja tarvikkeita ja lisälaitteita. Jonkin muun laitteen käyttö voi aiheuttaa onnettomuuden.

Älä ylikuormita konetta.

**Varoitus!** Ohjeesta poikkeava käyttö voi aiheuttaa onnettomuuden.

## 14. Tarkista, että kone on kunnossa

Tarkista ennen käyttöä, ettei kone tai sähköjohto ole vaurioitunut. Tarkista, etteivät liikkuvat ja muut osat sekä suoja ole viallisia, ja että kaikki muut käyttöön mahdollisesti vaikuttavat tekijät ovat kunnossa. Varmista, että kone toimii oikein ja täyttää tehtävänsä. Älä käytä konetta, jos jokin sen osista on viallinen tai se ei käynnisty ja pysähdy virrankatkaisijasta. Viallinen osa tulee korjata tai vaihtaa valtuutetussa Black & Deckerin huoltoliikkeessä. Älä koskaan yritä korjata konetta itse.

## 15. Irrota kone virtalähteestä

Irrota kone virtalähteestä, kun konetta ei käytetä, ennen minkään koneen osan, tarvikkeen tai lisävarusteen vaihtamista, sekä ennen huoltoa.

## 16. Vältä tahatonta käynnistämistä

Älä koskaan kanna konetta sormet kiinni virrankatkaisijassa. Varmista, että kone on pois päältä, ennen kuin kytket sen virtalähteeseen.

## 17. Huolehdi johdon kunnosta

Älä koskaan kanna konetta johdosta äläkä irrota pistoketta virtalähteestä vetämällä johdosta. Suojaa johto kuumuudelta, öljyltä ja teräviltä reunoilta.

## 18. Säilytä konetta oikein

Kun konetta ei käytetä, säilytä sitä kuivassa, lukitussa paikassa tai korkealla lasten ulottumattomissa.

## 19. Hoida työkalua huolellisesti

Pidä työkalu puhtaana ja käytä teräviä teriä tehokasta ja turvallista työskentelyä varten. Noudata huollosta ja tarvikkeiden vaihdosta annettuja ohjeita. Pidä virrankatkaisija ja kädensijat kuivina ja puhtaina öljystä ja rasvasta.

## 20. Korjaukset

Tämä kone täyttää voimassa olevat turvallisuusvaatimukset. Korjauksia saa tehdä vain Black & Deckerin valtuuttama huoltoliike, joka käyttää alkuperäisosa. Muussa tapauksessa käyttäjä saattaa joutua vaaratilanteeseen.

### Lisäturvaohjeet jyrsimille



Käytä suojalaseja konetta käyttäessäsi.

- ◆ Käytä vain sellaisia jyrssinteriä, joiden varren halkaisija vastaa työkaluun asennettua holkkia.
- ◆ Käytä vain sellaisia jyrssintyökaluja, jotka sopivat työkalun kuormattomalle nopeudelle.
- ◆ Älä koskaan käytä sellaisia jyrssinteriä, joiden halkaisija ylittää teknisissä tiedoissa annetun suurimman halkaisijan.
- ◆ Älä käytä työkalua väärinpäin.
- ◆ Älä yritä käyttää työkalua paikalleen asennettuna.
- ◆ Ole erityisen varovainen jyrssiessäsi MDF-materiaalia tai pintoja, jotka on maalattu lyijypohjaisella maalilla:
  - Käytä erityismuotoiltua, lyijypitoisen maalin pölyltä ja höyryiltä suojaavaa kasvosuojusta. Varmista, että sekä työalueella olevat että sen läheisyyteen saapuvat ihmiset käyttävät suojusta.
  - Älä anna lasten tai raskaana olevien naisten olla työalueella.
  - Älä syö, juo tai tupakoi työalueella.
  - Hävitä pöly ja muu jäte ympäristöystävällisesti.

### SÄHKÖINEN TURVALLISUUS

Sähkömoottori on suunniteltu käytettäväksi vain yhdellä jännitteellä. Tarkista aina, että virtalähde vastaa arvokilvessä ilmoitettua jännitettä.



Kone on kaksoiseristetty EN 50144:n mukaisesti; siksi ei tarvita erillistä maadoitusta.

## Jatkojohdon käyttö

Käytä hyväksyttyä jatkojohtoa, joka sopii työkalun virran käyttöön (katso tekniset tiedot).

Tarkista jatkojohto ennen käyttöä vaurioiden, vanhenemisen tai kulumisen varalta.

Vaihda vaurioitunut tai viallinen jatkojohto.

Jos käytät jatkojohtokelaa, kelaa johto aina täysin auki. Käytettäessä jatkojohtoa, joka ei vastaa koneen tehoa tai joka on viallinen, voi aiheutua tulipalo tai sähköisku.

### PAKKAUKSEN SISÄLTÖ

Pakkaus sisältää:

- 1 Jyrssin
- 3 Holkit
- 1 Kiintoavain
- 1 Reunaohjain
- 1 Pölynpoiston sovitin
- 1 Keskitysnasta
- 1 Kopiointiseurain
- 1 Etäisyyslevy
- 1 Malliohjain
- 1 Käyttöohje

- ◆ Pura kaikki osat pakkauksesta varovaisesti.

### YLEISKUVAUS (kuva A)

1. Virrankatkaisija
2. Lukitusnappi
3. Nopeudensäätönappi
4. Lukitusvipu
5. Kiinnitysruuvit reunaohjaimelle
6. Holkki
7. Karalukon painike
8. Pyörivä syvyyspysäytin
9. Syvyyspysäytintanko
10. Lukitusruuvi
11. Jyrssintäsyvyyden säätöasteikko
12. Pölynpoiston sovitin

### KOKOAMINEN



Ennen kuin ryhdyt mihinkään seuraavista toimista, varmista siitä, että työkalu on sammutettu eikä sitä ole liitetty virtalähteeseen ja, että kara on pysähtynyt.

**Jyrsinterän asentaminen (kuva B)**

- ◆ Pidä karan lukitsin (7) painettuna ja kierrä karaa, kunnes karalukko lukkiintuu.
- ◆ Löysennä holkin mutteri (13) käyttämällä mukana tulevaa kiintoavainta.
- ◆ Työnnä jyrsimen terän (14) varsi holkkiin (6). Varmista, että varsi tulee ainakin 3 mm ulos holkista kuvan osoittamalla tavalla.
- ◆ Pidä karalukko (7) painettuna ja kiristä holkin mutteri (13) käyttäen mukana toimitettavaa kiintoavainta.

**Reunaohjaimen kiinnittäminen (kuva C)**

Reunaohjain auttaa asettamaan työkalun yhdensuuntaisesti reunan kanssa.

- ◆ Asenna tangot (15) jyrsimen pohjaan kuvan osoittamalla tavalla.
- ◆ Aseta reunaohjain vaaditulle etäisyydelle.
- ◆ Kiristä kiinnitysruuvit (5).

**Pölynpoistosovittimen asentaminen (kuva D)**

Pölynpoistosovittimen avulla voit liittää työkaluun pölynimurin.

- ◆ Aseta pölynpoistosovitin (12) työkalun pohjaan kuvan osoittamalla tavalla.
- ◆ Työnnä kaksi ruuvia (16) pohjassa olevien reikien läpi pölynpoistosovittimeen.
- ◆ Aseta mutteri (17) kuhunkin ruuviin ja kiristä mutterit tiukkaan.

**Malliohjaimen asentaminen (kuvat M & D)**

- ◆ Asenna malliohjain (20) jyrsimen pohjaan siten, että laippa on pohjapuolella (= työkappaleen puolella).
- ◆ Työnnä kaksi pitkää ruuvia (16) pohjapuolelta malliohjaimen ja pohjan reikien läpi.
- ◆ Aseta pölynpoistosovitin työkalun pohjaan kuvan osoittamalla tavalla (kuva D).
- ◆ Aseta mutteri (17) kuhunkin ruuviin ja kiristä mutterit tiukkaan.

**Etäisyyskappaleen asentaminen (kuva N)**

- ◆ Asenna etäisyyskappale (21) jyrsimen pohjaan käyttämällä toimitettuja ruuveja.

**Keskitysnastan asentaminen (kuva O)**

- ◆ Asenna reunaohjain jyrsimeen kuvan C osoittamalla tavalla kuitenkin niin, että se on ylösalaisin.
- ◆ Asenna keskitysnasta (22) reunaohjaimen työkappalepuolelle mukana toimitetulla ruuvilla (23).

**Kopiointiseuraimen asentaminen (kuva P)**

- ◆ Asenna reunaohjain jyrsimeen kuvan C osoittamalla tavalla.
- ◆ Asenna L-palkki (24) reunaohjaimen yläosaan käyttämällä kahta mukana toimitettua ruuvia.
- ◆ Asenna kierto-osa (25) L-palkkiin mukana toimitetulla siipiruuvilla.

**KÄYTTÖ**

Anna koneen käydä omaan tahtiinsa.  
Älä ylikuormita sitä.

- ◆ Käsittele johtoa huolellisesti, jotta vaurioita sitä vahingossa.

**Jyrsintäsyvyyden säätö (kuva E)**

Jyrsinnan syvyys on etäisyys X, joka on syvyyspysäytintangon (9) ja syvyyspysäyttimen (18) välillä. Jyrsintäsyvyys voidaan asettaa kahdella eri tavalla, kuten alla on selitetty.

Jyrsintäsyvyyden säätäminen puupalan avulla (kuvat A ja F)

- ◆ Kiinnitä jyrsinterä yllä kuvatulla tavalla.
- ◆ Löysennä lukitusruuvia (10).
- ◆ Vedä lukitusvipu (4) ylös.
- ◆ Työnnä jyrsintä alaspäin, kunnes jyrsinterä koskettaa työstettävää kappaletta.
- ◆ Paina lukitusvipu (4) alas.
- ◆ Vedä syvyyspysäytintanko (9) ylös.
- ◆ Aseta jyrsintäsyvyyttä vastaava puukappale syvyyspysäyttimen (18) ja syvyyspysäytintangon (9) väliin.
- ◆ Kiristä lukitusruuvi (10).
- ◆ Irrota puukappale.
- ◆ Vedä lukitusvipu (4) ylös ja anna jyrsimen palata alkuperäiseen asentoonsa.
- ◆ Kun jyrsin on kytketty päälle, paina sitä alas ja jyrsi haluamallasi tavalla.

**Jyrsintäsyvyyden säätäminen käyttäen asteikkoa (kuva A ja G)**

- ◆ Kiinnitä jyrsinterä yllä kuvatulla tavalla.
- ◆ Löysennä lukitusruuvia (10).
- ◆ Vedä lukitusvipu (4) ylös.
- ◆ Työnnä jyrsintä alaspäin, kunnes jyrsinterä koskettaa työstettävää kappaletta.
- ◆ Paina lukitusvipu (4) alas.
- ◆ Lue aloituskohta asteikolta (11).
- ◆ Lisää haluamasi jyrsintäsyvyys aloituskohtaan.
- ◆ Siirrä syvyyspysäytintanko (9) asteikon laskettuun kohtaan.
- ◆ Kiristä lukitusruuvi (10).
- ◆ Vedä lukitusvipu (4) ylös ja anna jyrsimen palata alkuperäiseen asentoonsa.
- ◆ Kun jyrsin on kytketty päälle, paina sitä alas ja jyrsi haluamallasi tavalla.

**Pyörivän syvyyspysäyttimen säätäminen (kuva H)**

Kun olet kääntänyt pyörivän syvyyspysäyttimen haluamaasi asetukseen, voit hienosäätää käytettävää syvyyspysäytintä. Jos haluat tehdä useita jyrsintöjä eri jyrsintäsyvyyksillä, säädä kutakin syvyyspysäytintä.

- ◆ Käännä syvyyspysäytinruuvia (19) ylös- tai alaspäin vaaditulla tavalla ruuvitalttaa käyttäen.

**Nopeuden asettaminen (kuva A)**

- ◆ Valitse haluttu nopeus nopeudensäätönupilla (3). Käytä suurta nopeutta halkaisijaltaan pienten jyrsinterien yhteydessä. Käytä pientä nopeutta halkaisijaltaan suurten jyrsinterien yhteydessä.

**Riman käyttäminen ohjaimena (kuva I)**

Kun reunaohjainta ei voida käyttää (esimerkiksi jyrsittäessä kirjahyllyn hyllynkannatusuria), toimi seuraavasti:

- ◆ Aseta työstettävään kappaleeseen rima.
- ◆ Siirrä rimaa, kunnes se on oikeassa asennossa työkalun ohjaamisen kannalta.
- ◆ Kiinnitä rima kunnolla työstettävään kappaleeseen.

**Malliohjaimen käyttäminen (kuva M)**

Malliohjaimen avulla voidaan leikata haluttu muoto, kuten kirjain.

- ◆ Kiinnitä malli työkappaleeseen kaksipuolisella teipillä tai G-kiinnikkeillä.

- ◆ Jyrsinterän on ulotuttava malliohjaimen laipan alapuolelle, jotta työkappale leikkautuu mallin muotoon.

**Etäisyyskappaleen käyttäminen (kuva N)**

Etäisyyskappaletta voidaan käyttää puisten tai laminoitujen pystyprojektoiden viimeistelyyn.

**Keskitysnastan käyttäminen (kuva O)**

Keskitysnastan avulla voidaan leikata ympyränmuotoisia kuvioita.

- ◆ Poraa leikattavan ympyrän keskelle reikä keskitysnastaa varten.
- ◆ Aseta jyrsin työkappaleeseen siten, että keskitysnastan piste on poratussa reiässä.
- ◆ Säädä ympyrän säde reunaohjaimen palkeilla.
- ◆ Jyrsin voidaan nyt siirtää työkappaleen päälle ja ympyrä voidaan leikata.

**Kopiointiseuraimen käyttäminen (kuva P)**

Kopiointiseurain auttaa säilyttämään saman leikkuuetäisyyden, kun työkappale on epäsäännöllisen muotoinen.

- ◆ Aseta jyrsin työkappaleelle halutulle etäisyydelle kopioitavasta reunasta.
- ◆ Säädä reunaohjaimen tankoja, kunnes pyörä koskettaa työkappaletta.

**Käynnistys ja pysäytys (kuva A)**

**Työkalun käynnistäminen**

- ◆ Pidä lukitusnappia (2) painettuna sisään ja paina virrankatkaisijaa (1).
- ◆ Päästä irti lukitusnapista.

**Työkalun pysäyttäminen**

- ◆ Päästä irti virrankatkaisijasta.

**Vinkkejä parhaimman tuloksen saamiseksi**

- ◆ Siirrä työkalua vastapäivään (kuva J), kun työstät ulkoreunoja. Siirrä työkalua myötäpäivään, kun työstät sisäreunoja.
- ◆ Käytä pehmeän puun yhteydessä HSS-jyrsinteriä.
- ◆ Käytä kovan puun yhteydessä TCT-jyrsinteriä.
- ◆ Voit käyttää työkalua ilman ohjainta (kuva K). Tästä on hyötyä kylttejä kaiverrettaessa ja koristellessa. Käytä vain pientä jyrsintäsyvyyttä.

- ◆ Katso yleiset jysinterätyypit alla olevasta taulukosta.

### Jysinterät (kuva L)

	Kuvaus	Käyttö
Suora terä (1)	Urat ja huullokset	
Viimeistelyterä (2)	Laminaattien tai kovapuun viimeistely, tarkat profiilit mallineen avulla	
Huullostusterä (3)	Tekee huulloksia suoriin tai käyriin työkappaleisiin	
V-uraterä (4)	Urat, kaiverrukset ja reunan viistoaminen	
Keernalaattikoterä (5)	Urat, kaiverrukset ja reunojen koristelu	
Pyöristysterä (6)	Reunan koristelu	
Suippokaariterä (7)	Reunan koristelu	
Pyöristys terän yli (8)	Pyöristys reunojen yli	
Pyrstöliitosterä (9)	Pyrstöliitokset	
Särmäysterä (10)	Reunojen särmäys	

### HUOLTO

Black & Deckerin kone on suunniteltu toimimaan mahdollisimman pitkän aikaa mahdollisimman vähällä huollolla. Oikealla huollolla ja säännöllisellä puhdistuksella kone säilyttää suorituskykynsä.



Ennen huoltoa ja puhdistusta tulee koneen olla pois päältä ja pistokkeen irti virtalähteestä.

- ◆ Puhdista työkalun ilma-aukot säännöllisesti pehmeällä harjalla tai kuivalla rievulla.
- ◆ Puhdista työkalun kuori säännöllisesti kostealla rievulla. Älä koskaan käytä puhdistamiseen liuotainaineita tai syövyttäviä puhdistusaineita.

### YMPÄRISTÖ



Kun koneesi on käytetty loppuun, älä heitä sitä tavallisten roskien mukana pois, vaan vie se paikkakuntasi kierrätyskeskukseen tai jätä valtuutettuun Black & Deckerin huoltoliikkeeseen.

### Tekniset tiedot

	KW850E	
Jännite	V <sub>AC</sub>	230
Ottoteho	W	1.100
Kuormittamaton nopeus	min <sup>-1</sup>	8.000 - 28.000
Holkin koko		6 mm, 1/4", 8 mm
Jysinterän suurin halkaisija	mm	33
Suurin jysintäsyvyys	mm	55
Paino	kg	3,3

### KORJAUKSET / VARAOSAT

Mikäli koneeseen tulee vikaa, jätä se aina Black & Deckerin valtuuttamaan huoltoliikkeeseen korjattavaksi (tiedot löytyvät uusimmasta tuoteluettelostamme tai ottamalla yhteyttä Black & Decker Oy:hyn). Varaosia myyvät valtuutetut Black & Deckerin huoltoliikkeet, ja heiltä voi myös pyytää kustannusarvion koneen korjauksesta.

Tiedot valtuutetuista huoltoliikkeistä löytyvät myös internetistä osoitteesta [www.2helpU.com](http://www.2helpU.com) sekä kotisivuiltamme [www.blackdecker.fi](http://www.blackdecker.fi).

### TAKUU

Black & Decker Oy takaa, ettei koneessa ollut materiaali- ja/tai valmistusvikaa silloin, kun se toimitettiin ostajalle. Takuu on lisäys kuluttajan laillisiin oikeuksiin eikä vaikuta niihin. Takuu on voimassa Euroopan Unionin jäsenmaissa ja Euroopan vapaakauppa-alueella (EFTA).

Mikäli Black & Decker -kone hajoaa materiaali- ja/ tai valmistusvirheen tai teknisten tietojen epätarkkuuden vuoksi 24 kk:n kuluessa ostopäivästä, Black & Decker korjaa koneen ilman kustannuksia ostajalle tai vaihtaa sen uuteen Black & Decker Oy:n valinnan mukaan.

Takuu ei kata vikoja, jotka johtuvat koneen

- ◆ normaalista kulumisesta
- ◆ ylikuormituksesta, virheellisestä käytöstä tai hoidosta
- ◆ vahingoittamisesta vieraalla esineellä tai aineella tai onnettomuustapauksessa.

Takuu ei ole voimassa, mikäli konetta on korjannut joku muu kuin Black & Deckerin valtuuttama huoltoliike.

Edellytyksenä takuun saamiselle on, että ostaja jättää koneen ja ostokuitin jälleenmyyjälle tai valtuutetulle huoltoliikkeelle viimeistään 2 kuukauden kuluessa vian ilmenemisestä. Tiedot valtuutetuista huoltoliikkeistä saa ottamalla yhteyttä Black & Decker Oy:hyn sekä internetistä osoitteesta [www.2helpU.com](http://www.2helpU.com), jossa on myös takuehdot.

### MUITA TYÖKALUJA

Black & Deckerillä on laaja valikoima työkaluja, jotka helpottavat nikkarointitöitä. Lisätietoja alla olevista tuotteista saat Black & Deckerin jälleenmyyjältä tai kotisivuiltamme [www.blackdecker.fi](http://www.blackdecker.fi).

Porakoneet

Akkukäyttöiset ruuvinvääntimet

Akkukäyttöiset porakoneet/ruuvinvääntimet

Hiomakoneet

Pistosahat

Pyörösahat

Katkaisu- ja jiirisahat

Hiomakoneet

Höylät

Yläjyrsimet

Monitoimityökalut

Kuumailmapistoolit

Yleistyöpenkit

Black & Deckerillä on myös laaja valikoima tarvikkeita yllä oleville työkaluille.

# ΡΟΥΤΕΡ KW850E

## ΣΥΓΧΑΡΗΤΗΡΙΑ!

Έχετε επιλέξει ένα εργαλείο της Black & Decker. Στόχος μας είναι να σας προσφέρουμε εργαλεία ποιότητας σε προσιτές τιμές. Ευελπιστούμε ότι θα απολαύσετε τη χρήση αυτού του εργαλείου για πολλά χρόνια.

## ΔΗΛΩΣΗ ΣΥΜΜΟΡΦΩΣΗΣ ΕΚ



### KW850E

Black & Decker δηλώνει ότι αυτά τα ηλεκτρικά εργαλεία σχεδιάστηκαν σύμφωνα με:  
98/37/ΕΟΚ, 89/336/ΕΟΚ, 73/23/ΕΟΚ,  
EN 50144, EN 55014, EN 61000

Ανώτατο όριο ηχητικής πίεσης, μέτρηση κατά EN 50144:

		KW850E
$L_{pA}$ (ηχητική πίεση)	dB(A)	85,5
$L_{WA}$ (ακουστική δύναμη)	dB(A)	98,5



Λάβετε τα ενδεδειγμένα μέτρα προστασίας σε περίπτωση που η ακουστική πίεση υπερβαίνει τα 85 dB(A).

Ο σταθμισμένος τετραγωνικός μέσος όρος επιτάχυνσης κατά EN 50144:

		KW850E
		< 2,5 m/s <sup>2</sup>

Kevin Hewitt  
Διευθυντής μηχανολογίας  
Spennymoor, County Durham DL16 6JG,  
United Kingdom

## ΕΝΔΕΔΕΙΓΜΕΝΗ ΧΡΗΣΗ

Το ρούτερ KW850E της Black & Decker έχει σχεδιαστεί για τη χάραξη ξύλου και ξύλινων προϊόντων.

Αυτό το εργαλείο προορίζεται μόνο για ερασιτεχνική χρήση.

## ΟΔΗΓΙΕΣ ΑΣΦΑΛΕΙΑΣ

### Σύμβολα ασφαλείας

Στις παρούσες οδηγίες χρησιμοποιούνται τα ακόλουθα σύμβολα:



Συμβολίζει κίνδυνο τραυματισμού ή θανάτου ή βλάβης του εργαλείου σε περίπτωση που δεν τηρηθούν οι οδηγίες χρήσεως.



Συμβολίζει ηλεκτρική τάση.



Πριν χρησιμοποιήσετε το εργαλείο διαβάστε το παρόν εγχειρίδιο προσεκτικά.

### Γνωρίζετε το εργαλείο



- ♦ **Προσοχή!** Κατά τη χρήση εργαλείων που τροφοδοτούνται με ηλεκτρικό ρεύμα, θα πρέπει πάντα να λαμβάνονται οι βασικές προφυλάξεις ασφαλείας, για τον περιορισμό του κινδύνου πυρκαγιάς, ηλεκτροπληξίας, σωματικών βλαβών και υλικών ζημιών.
- ♦ Πριν χρησιμοποιήσετε το εργαλείο διαβάστε προσεκτικά τις παρακάτω οδηγίες.
- ♦ Πριν χρησιμοποιήσετε το εργαλείο αυτό, βεβαιωθείτε ότι γνωρίζετε πώς να σβήσετε το εργαλείο σε περίπτωση έκτακτης ανάγκης.
- ♦ Φυλάξτε τις οδηγίες καλά.

## Γενικά

1. **Διατηρείτε καθαρό το χώρο εργασίας**  
Ακατάστατοι χώροι και πάγκοι εγκυμονούν κίνδυνο τραυματισμού.
2. **Λάβετε υπ' όψη τις επιδράσεις του περιβάλλοντος**  
Μην εκθέτετε ηλεκτρικά εργαλεία σε υγρασία. Φροντίστε η περιοχή εργασίας να είναι καλά φωτισμένη. Μη χρησιμοποιείτε το εργαλείο αν υπάρχει κίνδυνος να προκληθεί πυρκαγιά ή έκρηξη, π.χ. κοντά σε εύφλεκτα υγρά και αέρια.
3. **Κρατάτε τα παιδιά σε απόσταση**  
Μην επιτρέπετε σε παιδιά, επισκέπτες ή ζώα να πλησιάζουν στο χώρο εργασίας ή να αγγίζουν το εργαλείο ή το καλώδιο τροφοδοσίας.
4. **Φοράτε τα κατάλληλα ρούχα εργασίας**  
Μη φοράτε φαρδιά ρούχα ή κοσμήματα. Υπάρχει πιθανότητα να πιαστούν σε κινούμενα μέρη μηχανών. Για υπαίθριες εργασίες συνιστώνται λαστιχένια γάντια και υποδήματα που δε γλιστρούν. Εάν έχετε μακριά μαλλιά φοράτε προστατευτικό διχτάκι.
5. **Ατομική προστασία**  
Φορέστε προστατευτικά γυαλιά. Φορέστε μάσκα προσώπου ή προστασίας από τη σκόνη, στις περιπτώσεις που η εργασία ενδέχεται να προκαλέσει την παραγωγή σκόνης ή αιωρούμενων σωματιδίων. Φοράτε ωτασπίδες σε περιπτώσεις που η στάθμη του θορύβου σας προκαλεί δυσφορία.
6. **Λάβετε τις κατάλληλες προφυλάξεις για το ενδεχόμενο ηλεκτροπληξίας**  
Αποφύγετε τη σωματική επαφή με γειωμένες ή συνδεδεμένες με το έδαφος επιφάνειες (π.χ. σωλήνες, ψυγεία, βραστήρες και ψυγεία). Η ηλεκτρική ασφάλεια μπορεί να βελτιωθεί αν χρησιμοποιηθεί συσκευή παραμένοντος ρεύματος (RCD) υψηλής ευαισθησίας (30 mA / 30 mS).
7. **Μη σκύβετε πάρα πολύ**  
Φροντίστε πάντοτε να έχετε την κατάλληλη στάση και να διατηρείτε την ισορροπία σας.
8. **Να είστε πάντα προσεκτικοί**  
Παρακολουθείτε την εργασία σας. Ενεργείτε λογικά. Μη χρησιμοποιείτε το εργαλείο όταν είστε κουρασμένος.
9. **Στηρίξτε με ασφαλή τρόπο το αντικείμενο στο οποίο εργάζεστε**  
Χρησιμοποιείτε σφιγκτήρες ή μέγγενη για το σκοπό αυτό. Η μέθοδος αυτή είναι ασφαλέστερη και ελευθερώνει και τα δύο σας χέρια για το χειρισμό του εργαλείου.
10. **Συνδέστε τη συσκευή αφαίρεσης σκόνης**  
Εάν παρέχονται συσκευές για τη σύνδεση συσκευών αφαίρεσης και συλλογής σκόνης, βεβαιωθείτε ότι η σύνδεση και η χρήση τους γίνεται με τον ενδεδειγμένο τρόπο.
11. **Απομακρύνετε από το μηχάνημα τα κλειδιά που χρησιμοποιείτε για τη ρύθμισή του**  
Πριν βάλετε σε λειτουργία το εργαλείο, βεβαιωθείτε πάντα ότι έχετε βγάλει από αυτό τα κλειδιά για τη ρύθμισή του.
12. **Καλώδια επιμήκυνσης**  
Πριν τη χρήση, επιθεωρήστε το καλώδιο επιμήκυνσης και αντικαταστήστε το, αν έχει φθαρεί. Εάν χρησιμοποιείτε τη συσκευή σε υπαίθριο χώρο, χρησιμοποιείτε μόνο καλώδια επιμήκυνσης κατάλληλα για χρήση σε υπαίθριο χώρο.
13. **Χρησιμοποιείτε το σωστό εργαλείο**  
Η ενδεδειγμένη χρήση αναφέρεται σε αυτές τις οδηγίες χρήσεως. Μη χρησιμοποιείτε εργαλεία χαμηλής ισχύος ή προσθήκες για βαριές εργασίες. Το εργαλείο σας θα λειτουργήσει επιτυχέστερα και ασφαλέστερα εάν χρησιμοποιηθεί σύμφωνα με της προδιαγραφές του. Μη ζορίζετε το εργαλείο. **Προσοχή!** Τόσο η χρήση εξαρτημάτων ή προσθηκών όσο και η πραγματοποίηση εργασιών που δεν συνιστώνται στις οδηγίες αυτές εγκυμονεί κίνδυνο τραυματισμού.
14. **Ελέγχετε εάν το εργαλείο σας έχει θλάβες**  
Πριν από τη χρήση, ελέγξτε προσεκτικά το εργαλείο και το καλώδιο τροφοδοσίας για τυχόν ζημιές. Ελέγξτε για τυχόν κακή ευθυγράμμιση και εμπλοκή των κινούμενων μερών, για μέρη που έχουν σπάσει, για τυχόν ζημιές στους προφυλακτήρες και τους διακόπτες, και γενικά κάθε είδους συνθήκες οι οποίες ενδέχεται να επηρεάσουν τη λειτουργία του εργαλείου. Βεβαιωθείτε ότι το εργαλείο λειτουργεί κανονικά και χρησιμοποιείται για το σκοπό για τον οποίο προορίζεται.



Μη χρησιμοποιείτε το εργαλείο αν κάποιο εξάρτημά του παρουσιάζει ελάττωμα. Μη χρησιμοποιείτε το εργαλείο, εάν ο διακόπτης δεν μπορεί να το θέσει εντός ή εκτός λειτουργίας. Φροντίστε για την επισκευή ή αντικατάσταση τυχόν ελαττωματικών εξαρτημάτων από εξουσιοδοτημένο κέντρο επισκευών. Ποτέ μην επιχειρήσετε να επισκευάσετε οι ίδιοι το εργαλείο.

#### 15. Βγάλτε το εργαλείο από την πρίζα

Βγάλτε το εργαλείο από την πρίζα όταν το εργαλείο δεν χρησιμοποιείται, προτού αλλάξετε οποιοδήποτε ανταλλακτικό, παρελκόμενο ή εξάρτημα του εργαλείου, και πριν από τη συντήρησή του.

#### 16. Αποφύγετε την τυχαία εκκίνηση του εργαλείου

Μη μεταφέρετε το εργαλείο έχοντας το δάκτυλό σας πάνω στο διακόπτη εκκίνησης. Όταν βάζετε την πρίζα, βεβαιωθείτε ότι ο διακόπτης του εργαλείου είναι κλειστός.

#### 17. Μην κακομεταχειρίζεστε το καλώδιο

Ποτέ μη μεταφέρετε το εργαλείο κρατώντας το από το καλώδιο και μην το τραβάτε από το καλώδιο για να το βγάλετε από την πρίζα. Φροντίστε το καλώδιο να παραμένει μακριά από τη θερμότητα, τα λάδια και από αιχμηρές ακμές.

#### 18. Φυλάγετε τα εργαλεία σας σε ασφαλές μέρος

Ηλεκτρικά εργαλεία που δεν χρησιμοποιούνται πρέπει να φυλάσσονται σε στεγνούς, κλειστούς χώρους ή σε μεγάλο ύψος, μακριά από παιδιά.

#### 19. Συντηρήστε προσεκτικά τα εργαλεία

Φροντίστε τα εργαλεία σας να είναι κοφτερά και καθαρά, ώστε να προσφέρουν υψηλή απόδοση και ασφάλεια κατά τη χρήση τους. Ακολουθήστε τις σχετικές οδηγίες σε ότι αφορά τη συντήρηση και την αλλαγή των εξαρτημάτων. Φροντίστε οι λαβές και οι διακόπτες να είναι στεγνοί, καθαροί και χωρίς λάδια ή γράσα.

#### 20. Επισκευές

Το εργαλείο αυτό συμμορφώνεται με τις σχετικές προϋποθέσεις ασφαλείας. Οι επισκευές θα πρέπει να γίνονται μόνο από ειδικευμένους τεχνικούς και με τη χρήση αποκλειστικά γνήσιων ανταλλακτικών, διαφορετικά υπάρχει το ενδεχόμενο σοβαρού κινδύνου για το χρήστη.

### Συμπληρωματικές οδηγίες ασφαλείας για ρούτερ



Κατά τη χρήση αυτού του εργαλείου, να φοράτε προστατευτικά γυαλιά.

- ◆ Να χρησιμοποιείτε μόνο τα στελέχη ρούτερ που έχουν διάμετρο τσοκ αντίστοιχη του μεγέθους του σφιγκτήρα που διαθέτει το εργαλείο.
- ◆ Να χρησιμοποιείτε μόνο τις μύτες ρούτερ που είναι κατάλληλες για την ταχύτητα άφορτου κίνησης του εργαλείου.
- ◆ Να μην χρησιμοποιείτε ποτέ μύτες με διάμετρο μεγαλύτερη από τη μέγιστη διάμετρο που ορίζει η ενότητα τεχνικών δεδομένων.
- ◆ Μην χρησιμοποιείτε το εργαλείο ανάποδα.
- ◆ Μην αποπειραθείτε να χρησιμοποιήσετε το εργαλείο ακίνητο.
- ◆ Να είστε ιδιαίτερα προσεκτικοί όταν εργάζεστε σε MDF ή σε επιφάνειες καλυμμένες με χρώμα με βάση τον μόλυβδο.
  - Φορέστε μάσκα σκόνης ειδικά σχεδιασμένη για προστασία έναντι της σκόνης και των αναθυμιάσεων από χρώματα με μόλυβδο και βεβαιωθείτε ότι τα άτομα που βρίσκονται, ή εισέρχονται, στο χώρο εργασίας είναι επίσης προστατευμένα.
  - Μην επιτρέπετε σε παιδιά ή εγκύους να εισέρχονται στο χώρο εργασίας.
  - Μην τρώτε, πίνετε ή καπνίζετε στο χώρο εργασίας.
  - Αφαιρέστε όλα τα σωματίδια της σκόνης και τα άλλα υπολείμματα.

### ΗΛΕΚΤΡΙΚΗ ΑΣΦΑΛΕΙΑ

Το ηλεκτρικό μοτέρ είναι σχεδιασμένο να λειτουργεί σε μία και μόνο τάση. Ελέγχετε πάντοτε αν η τάση τροφοδοσίας αντιστοιχεί σε αυτήν που αναγράφεται στην πλακέτα του εργαλείου.



Το εργαλείο φέρει διπλή μόνωση κατά EN 50144. Κατά συνέπεια δε χρειάζεται καλώδιο γείωσης.

### Χρήση καλωδίου επέκτασης

Χρησιμοποιήστε εγκεκριμένο καλώδιο επέκτασης κατάλληλο για την απορροφούμενη ηλεκτρική ισχύ αυτού του εργαλείου (δείτε τα τεχνικά στοιχεία). Η ελάχιστη διατομή του αγωγού είναι 1,5 mm<sup>2</sup>.

Πριν από τη χρήση, επιθεωρήστε προσεκτικά το καλώδιο επιμήκυνσης για σημάδια ζημιάς, φθοράς και παλαιώσης. Αντικαταστήστε το καλώδιο επέκτασης αν είναι κατεστραμμένο ή ελαττωματικό. Όταν χρησιμοποιείτε καρούλι καλωδίου, πάντα ξετυλίγετε τελείως το καλώδιο. Η χρήση καλωδίου επιμήκυνσης που είναι ακατάλληλο για την απαιτούμενη ισχύ του εργαλείου ή που έχει καταστραφεί ή είναι ελαττωματικό μπορεί να αποτελέσει κίνδυνο πυρκαϊάς και ηλεκτροπληξίας.

### ΠΕΡΙΕΧΟΜΕΝΑ ΣΥΣΚΕΥΑΣΙΑΣ

Η συσκευασία περιέχει:

- 1 Ρούτερ
- 3 Τσοκ
- 1 Κλειδί
- 1 Οδηγός μπορντούρας
- 1 Προσαρμογέας εξόδου σκόνης
- 1 Πείρος κεντραρίσματος
- 1 Εξάρτημα αντιγραφής
- 1 Διαχωριστική πλάκα
- 1 Οδηγός φόρμας
- 1 Οδηγίες χρήσης

- ◆ Αφαιρέστε προσεκτικά από τη συσκευασία όλα τα κομμάτια.

### ΓΕΝΙΚΗ ΠΕΡΙΓΡΑΦΗ (εικ. Α)

1. Διακόπτης on/off
2. Μπουτόν απασφάλισης
3. Κουμπί ρύθμισης ταχύτητας
4. Μοχλός ασφάλισης βύθισης
5. Βίδες στερέωσης του οδηγού μπορντούρας
6. Τσοκ
7. Κουμπί ασφάλισης του άξονα
8. Στοπ βάθους τόννου
9. Ράβδος στοπ βάθους
10. Βίδα σύσφιξης
11. Κλίμακα βάθους κοπής
12. Προσαρμογέας εξόδου σκόνης

### ΣΥΝΑΡΜΟΛΟΓΗΣΗ



Πριν από οποιαδήποτε από τις παρακάτω διαδικασίες, βεβαιωθείτε ότι το εργαλείο είναι εκτός λειτουργίας και ότι δεν είναι στην πρίζα, καθώς και ότι η άτρακτος έχει σταματήσει.

### Τοποθέτηση μύτης ρούτερ (εικ. Β)

- ◆ Κρατήστε πατημένη την ασφάλεια της ατράκτου (7) και περιστρέψτε την άτρακτο μέχρι να ασφαλίσει εντελώς η ασφάλεια.
- ◆ Χαλαρώστε τον σφιγκτήρα του τσοκ (13) με το κλειδί της συσκευασίας.
- ◆ Εισάγετε το στέλεχος της μύτης του ρούτερ (14) στο τσοκ (6). Βεβαιωθείτε ότι το στέλεχος προεξέχει τουλάχιστον 3 mm από το τσοκ όπως φαίνεται στην εικόνα.
- ◆ Κρατήστε πατημένη την ασφάλεια της ατράκτου (7) και σφίξτε τον σφιγκτήρα του τσοκ (13) με το κλειδί της συσκευασίας.

### Τοποθέτηση οδηγού μπορντούρας (εικ. C)

Ο οδηγός μπορντούρας οδηγεί το εργαλείο παράλληλα στην μπορντούρα.

- ◆ Εισάγετε τις ράβδους (15) στη βάση του ρούτερ όπως απεικονίζεται.
- ◆ Τοποθετήστε τον οδηγό μπορντούρας στην απαιτούμενη απόσταση.
- ◆ Σφίξτε τις βίδες στερέωσης (5).

### Τοποθέτηση του προσαρμογέα εξόδου σκόνης (εικ. D)

Ο προσαρμογέας εξόδου σκόνης σας επιτρέπει να συνδέετε ηλεκτρική σκούπα στο εργαλείο.

- ◆ Τοποθετήστε τον προσαρμογέα εξαγωγής σκόνης (12) στη βάση του εργαλείου, όπως φαίνεται στην εικόνα.
- ◆ Εισάγετε τις δύο βίδες (16) από κάτω, μέσα από τις οπές της βάσης, στον προσαρμογέα εξόδου σκόνης.
- ◆ Τοποθετήστε σφιγκτήρες (17) στις βίδες και σφίξτε τους καλά για να ασφαλίσουν.

### Τοποθέτηση του οδηγού φόρμας (εικ. M & D)

- ◆ Στερεώστε τον οδηγό φόρμας (20) στη βάση του ρούτερ με τη φλάντζα στο κάτω μέρος (= του τεμαχίου εργασίας).
- ◆ Εισάγετε τις δύο μεγάλες βίδες (16) από κάτω, μέσα από τον οδηγό φόρμας και τις οπές της βάσης.
- ◆ Τοποθετήστε τον προσαρμογέα εξαγωγής σκόνης πάνω στη βάση, όπως φαίνεται στην εικ. D.
- ◆ Τοποθετήστε σφιγκτήρες (17) στις βίδες και σφίξτε τους καλά για να ασφαλίσουν.

**Τοποθέτηση του διαχωριστικού τεμαχίου (εικ. Ν)**

- ♦ Τοποθετήστε το διαχωριστικό τεμάχιο (21) στη βάση του ρούτερ με τις βίδες της συσκευασίας.

**Τοποθέτηση του πείρου κεντραρίσματος (εικ. Ο)**

- ♦ Τοποθετήστε τον οδηγό μπορντούρας στο ρούτερ όπως φαίνεται στην εικ. C αλλά ανάποδα.
- ♦ Τοποθετήστε τον πείρο κεντραρίσματος (22) στην πλευρά του τεμαχίου εργασίας του οδηγού μπορντούρας με τις βίδες (23) της συσκευασίας.

**Τοποθέτηση του εξαρτήματος αντιγραφής (εικ. Ρ)**

- ♦ Τοποθετήστε τον οδηγό μπορντούρας στο ρούτερ όπως φαίνεται στην εικ. C.
- ♦ Τοποθετήστε τη ράβδο σχήματος L (24) στην πάνω πλευρά του οδηγού μπορντούρας με τις δύο βίδες και τα παξιμάδια της συσκευασίας.
- ♦ Τοποθετήστε το περιστρεφόμενο εξάρτημα (25) στη ράβδο σχήματος L με τις πεταλούδες της συσκευασίας.

**ΧΡΗΣΗ**

Αφήστε το εργαλείο να λειτουργήσει στο δικό του ρυθμό και μην το υπερφορτώνετε.

- ♦ Περάστε προσεκτικά το καλώδιο ώστε να μην το κόψετε κατά λάθος.

**Ρύθμιση του βάθους κοπής (εικ. Ε)**

Το βάθος κοπής είναι η απόσταση X μεταξύ της ράβδου του στοπ βάθους (9) και του στοπ βάθους (18). Το βάθος κοπής ρυθμίζεται με δύο διαφορετικούς τρόπους σύμφωνα με τις οδηγίες που ακολουθούν.

**Ρύθμιση του βάθους κοπής σε ένα κομμάτι ξύλο (εικ. Α & F)**

- ♦ Τοποθετήστε τη μύτη του ρούτερ όπως περιγράφεται παραπάνω.
- ♦ Χαλαρώστε τη βίδα σύσφιξης (10).
- ♦ Τραβήξτε προς τα πάνω τον μοχλό ασφάλισης βύθισης (4).

- ♦ Χαμηλώστε το ρούτερ μέχρι η μύτη να αγγίξει το τεμάχιο εργασίας.
- ♦ Ψθήστε προς τα κάτω τον μοχλό ασφάλισης βύθισης (4).
- ♦ Τραβήξτε προς τα πάνω τη ράβδο του στοπ βάθους (9).
- ♦ Τοποθετήστε ένα κομμάτι ξύλο με πάχος ίσο με το επιθυμητό πάχος κοπής μεταξύ του στοπ βάθους (18) και της ράβδου του στοπ βάθους (9).
- ♦ Σφίξτε τη βίδα σύσφιξης (10).
- ♦ Αφαιρέστε το κομμάτι του ξύλου.
- ♦ Τραβήξτε τον μοχλό ασφάλισης βύθισης (4) προς τα πάνω και αφήστε το ρούτερ να επιστρέψει στην αρχική του θέση.
- ♦ Αφού θέσετε το ρούτερ σε λειτουργία, χαμηλώστε το και εκτελέστε την επιθυμητή κοπή.

**Ρύθμιση του βάθους κοπής με την κλίμακα (εικ. Α & G)**

- ♦ Τοποθετήστε τη μύτη του ρούτερ όπως περιγράφεται παραπάνω.
- ♦ Χαλαρώστε τη βίδα σύσφιξης (10).
- ♦ Τραβήξτε προς τα πάνω τον μοχλό ασφάλισης βύθισης (4).
- ♦ Χαμηλώστε το ρούτερ μέχρι η μύτη να αγγίξει το τεμάχιο εργασίας.
- ♦ Ψθήστε προς τα κάτω τον μοχλό ασφάλισης βύθισης (4).
- ♦ Διαβάστε την ένδειξη αρχικής θέσης στην κλίμακα (11).
- ♦ Προσθέστε το επιθυμητό βάθος κοπής στην αρχική θέση.
- ♦ Μετακινήστε τη ράβδο του στοπ βάθους (9) στη θέση που υπολογίσατε πάνω στην κλίμακα.
- ♦ Σφίξτε τη βίδα σύσφιξης (10).
- ♦ Τραβήξτε τον μοχλό ασφάλισης βύθισης (4) προς τα πάνω και αφήστε το ρούτερ να επιστρέψει στην αρχική του θέση.
- ♦ Αφού θέσετε το ρούτερ σε λειτουργία, χαμηλώστε το και εκτελέστε την επιθυμητή κοπή.

**Ρύθμιση του στοπ βάθους του τόννου (εικ. Η)**

Αφού στρέψετε το στοπ βάθους του τόννου στην επιθυμητή ρύθμιση, μπορείτε να ρυθμίσετε με ακρίβεια το στοπ βάθους που θα χρησιμοποιηθεί.

Αν θέλετε να κάνετε πολλά κοψίματα με διαφορετικό βάθος, ρυθμίστε ξεχωριστά τα στοπ βάθους.

- ◆ Στρέψτε τη βίδα του στοπ βάθους (19) προς τα πάνω ή προς τα κάτω, κατά περίπτωση, χρησιμοποιώντας κατσαβίδι.

#### **Ρύθμιση της ταχύτητας (εικ. Α)**

- ◆ Ρυθμίστε το κουμπί ελέγχου ταχύτητας (3) στην απαιτούμενη ταχύτητα. Χρησιμοποιήστε υψηλή ταχύτητα για μύτες ρούτερ μικρής διαμέτρου. Χρησιμοποιήστε χαμηλή ταχύτητα για μύτες ρούτερ μεγάλης διαμέτρου.

#### **Χρήση σανιδιού ως οδηγού (εικ. Ι)**

Όταν δεν είναι εφικτό να χρησιμοποιήσετε τον οδηγό μπορντούρας, για παράδειγμα όταν χαράζετε αυλάκια στο πίσω πλαίσιο μίας βιβλιοθήκης για να στηρίξετε τα ράφια, ενεργήστε ως εξής:

- ◆ Τοποθετήστε ένα σανίδι πάνω στο τεμάχιο εργασίας.
- ◆ Μετακινήστε το σανίδι μέχρι να τοποθετηθεί στη σωστή θέση ώστε να οδηγήσει το εργαλείο.
- ◆ Στερεώστε καλά το σανίδι στο τεμάχιο εργασίας.

#### **Χρήση του οδηγού φόρμας (εικ.Μ)**

Ο οδηγός φόρμας μπορεί να χρησιμοποιηθεί για κοπή στο σχήμα μίας φόρμας, για παράδειγμα ενός γράμματος.

- ◆ Ασφαλίστε τη φόρμα πάνω στο τεμάχιο εργασίας με κολλητική ταινία διπλής όψης ή με σφιγκτήρες.
- ◆ Η μύτη του ρούτερ πρέπει να εκτείνεται κάτω από τη φλάντζα του οδηγού φόρμας, προκειμένου να κοπεί το τεμάχιο εργασίας στο σχήμα της φόρμας.

#### **Χρήση του διαχωριστικού τεμαχίου (εικ. Ν)**

Το διαχωριστικό τεμάχιο μπορεί να χρησιμοποιηθεί για το φινίρισμα κάθετων ξύλινων ή λαμινέ επιφανειών.

#### **Χρήση του πείρου κεντραρίσματος (εικ. Ο)**

Ο πείρος κεντραρίσματος χρησιμοποιείται για την κοπή κυκλικών σχημάτων.

- ◆ Ανοίξτε μία τρύπα για τη μύτη του πείρου κεντραρίσματος στο κέντρο του κύκλου που θα κόψετε.

- ◆ Τοποθετήστε το ρούτερ στο τεμάχιο εργασίας με τη μύτη του πείρου κεντραρίσματος στην ανοιγμένη τρύπα.
- ◆ Ρυθμίστε την ακτίνα του κύκλου με τις ράβδους του οδηγού μπορντούρας.
- ◆ Το ρούτερ μπορεί τώρα να μετακινηθεί πάνω στο τεμάχιο εργασίας για να κόψει τον κύκλο.

#### **Χρήση του εξαρτήματος αντιγραφής (εικ. Ρ)**

Το εξάρτημα αντιγραφής βοηθά στο να διατηρείται μία ίση απόσταση κοπής κατά μήκος της μπορντούρας τεμαχίων εργασίας με ακανόνιστο σχήμα.

- ◆ Τοποθετήστε το ρούτερ στο τεμάχιο εργασίας στην επιθυμητή απόσταση από την μπορντούρα που θέλετε να επαναλάβετε.
- ◆ Ρυθμίστε τις ράβδους του οδηγού μπορντούρας μέχρι ο τροχός να έρθει σε επαφή με το τεμάχιο εργασίας.

#### **Θέση εντός και εκτός λειτουργίας (εικ. Α)**

##### **Εκκίνηση**

- ◆ Κρατήστε το κουμπί απασφάλισης (2) πατημένο και πιέστε τον διακόπτη on/off (1).
- ◆ Απελευθερώστε το κουμπί απασφάλισης.

##### **Θέση του μηχανήματος εκτός λειτουργίας.**

- ◆ Αφήστε το διακόπτη λειτουργίας on/off.

##### **Συμβουλές για άριστη χρήση**

- ◆ Όταν εκτελείτε εξωτερικά φινιρίσματα, να μετακινείτε το εργαλείο αριστερόστροφα (εικ. J). Όταν εκτελείτε εσωτερικά φινιρίσματα, να μετακινείτε το εργαλείο δεξιόστροφα.
- ◆ Να χρησιμοποιείτε μύτες ρούτερ ταχυχάλυβα (HSS) σε μαλακό ξύλο.
- ◆ Να χρησιμοποιείτε μύτες ρούτερ καρβιδίου του βολφραμίου (TCT) σε σκληρό ξύλο.
- ◆ Μπορείτε να χρησιμοποιείτε το εργαλείο χωρίς οδηγό (εικ. K). Αυτό είναι χρήσιμο στη χάραξη συμβόλων και δημιουργικών έργων. Να κάνετε μόνο ρηχά κοψίματα.
- ◆ Ανατρέξτε στον πίνακα που ακολουθεί για συνηθισμένους τύπους μυτών ρούτερ.

**Μύτες ρούτερ (εικ. L)**

Περιγραφή	Εφαρμογή
Ισια μύτη (1)	Αυλάκια και γλυφή
Μύτη φινιρίσματος (2)	Φινίρισμα επιφανειών λαμινέ ή σκληρού ξύλου, κάθετη τομή ακριβείας με χρήση φόρμας
Μύτη γλυφής (3) τεμάχια εργασίας	Λάξευση σε ίσια ή καμπύλα
Μύτη αυλάκωση σχήματος V (4)	Αυλάκια, χάραξη και φαλτσογωνίες
Μύτη κουτιού πυρήνων (5)	Κυρτή μύτη ράβδωσης, χάραξης και διαμόρφωσης
Κοίλη μύτη (6)	Διαμόρφωση διακοσμητικού άκρου
Μύτη διαμόρφωσης κυματοειδούς (7)	Διαμόρφωση διακοσμητικού άκρου
Μύτη στρογγυλοποίησης (8)	Στρογγυλοποίηση άκρων
Διχαλωτή μύτη (9)	Διχαλωτοί δεσμοί
Μύτη γωνιοτόμησης (10)	Ακρες γωνιοτόμησης

**ΣΥΝΤΗΡΗΣΗ**

Αυτό το εργαλείο της Black & Decker έχει σχεδιαστεί έτσι ώστε να λειτουργεί για μεγάλο χρονικό διάστημα με την ελάχιστη δυνατή φροντίδα. Η αδιάλειπτη και κανονική λειτουργία του εξαρτάται από τη φροντίδα του εργαλείου και τον τακτικό καθαρισμό του.



Πριν από την εκτέλεση εργασιών συντήρησης στο εργαλείο, θα πρέπει να το σβήσετε και να το βγάλετε από την πρίζα.

- ♦ Να καθαρίζετε τακτικά τις υποδοχές εξαερισμού στο εργαλείο σας χρησιμοποιώντας μαλακή βούρτσα ή στεγνό πανί.
- ♦ Να καθαρίζετε τακτικά το περίβλημα της μηχανής χρησιμοποιώντας ένα βρεγμένο πανί. Μη χρησιμοποιείτε στιλβωτικά ή υγρά καθαρισμού που περιέχουν διαλυτικές ουσίες.

**ΠΡΟΣΤΑΣΙΑ ΤΟΥ ΠΕΡΙΒΑΛΛΟΝΤΟΣ**

Η Black & Decker δίνει τη δυνατότητα ανακύκλωσης των προϊόντων της που έχουν συμπληρώσει τη διάρκεια ζωής τους. Η υπηρεσία αυτή είναι δωρεάν. Αν θέλετε να χρησιμοποιήσετε την εν λόγω υπηρεσία, επιστρέψτε το προϊόν σας σε οποιοδήποτε εξουσιοδοτημένο κέντρο επισκευών, όπου θα το παραλάβουν εκ μέρους σας.

Ενημερωθείτε για το πλησιέστερο κέντρο επισκευών της περιοχής σας, επικοινωνώντας με τα γραφεία της Black & Decker στη διεύθυνση που αναγράφεται στο εγχειρίδιο. Επίσης, για να πληροφορηθείτε για τα εξουσιοδοτημένα κέντρα επισκευών της Black & Decker, τις λεπτομέρειες και τους αρμόδιους των υπηρεσιών που παρέχονται μετά την πώληση, μπορείτε να ανατρέξετε στο Διαδίκτυο στη διεύθυνση: [www.2helpU.com](http://www.2helpU.com).

**Τεχνικά χαρακτηριστικά**

	<b>KW850E</b>	
Τάση	V <sub>AC</sub>	230
Ισχύς εισόδου	W	1.100
Ταχύτητα άφορτου κίνησης	min <sup>-1</sup>	8.000 - 28.000
Μέγεθος τσοκ		6 mm, 1/4", 8 mm
Μέγιστη διάμετρος της μύτης του ρούτερ	mm	33
Μέγιστο βάθος κοπής	mm	55
Βάρος	kg	3,3

**ΕΓΓΥΗΣΗ**

Η Black & Decker είναι σίγουρη για την ποιότητα των προϊόντων της και παρέχει σημαντική εγγύηση. Η παρούσα γραπτή εγγύηση αποτελεί πρόσθετο δικαίωμά σας και δεν ζημιώνει τα συνταγματικά σας δικαιώματα. Η εγγύηση ισχύει εντός της επικράτειας των Κρατών Μελών της Ευρωπαϊκής Ένωσης και της Ευρωπαϊκής Ζώνης Ελευθέρων Συναλλαγών.

Σε περίπτωση που κάποιο προϊόν της Black & Decker παρουσιάσει βλάβη εξαιτίας ελαττωματικών υλικών, ποιότητας εργασίας ή έλλειψων σε σχέση με τις προδιαγραφές εντός 24 μηνών από την ημερομηνία αγοράς, η Black & Decker εγγυάται την αντικατάσταση των ελαττωματικών τμημάτων, την επισκευή προϊόντων που έχουν υποστεί εύλογη φθορά λόγω χρήσης ή την αντικατάσταση των προϊόντων προκειμένου να εξασφαλίσει την ελάχιστη ενόχληση στους πελάτες της, εκτός αν:

- ◆ Το προϊόν έχει χρησιμοποιηθεί σε εργασιακό, επαγγελματικό περιβάλλον ή αν έχει ενοικιαστεί
- ◆ Έχει γίνει εσφαλμένη χρήση του προϊόντος ή αν έχει παραμεληθεί
- ◆ Το προϊόν έχει υποστεί βλάβη από άλλα αντικείμενα, από ουσίες ή λόγω ατυχήματος
- ◆ Έχει γίνει προσπάθεια επισκευής από μη εξουσιοδοτημένα κέντρα επισκευών ή από προσωπικό που δεν ανήκει στο προσωπικό της Black & Decker

Για να ισχύσει η εγγύηση, πρέπει να υποβάλετε απόδειξη αγοράς στον πωλητή ή το εξουσιοδοτημένο κέντρο επισκευών.

Ενημερωθείτε για το πλησιέστερο κέντρο επισκευών της περιοχής σας, επικοινωνώντας με τα γραφεία της Black & Decker στη διεύθυνση που αναγράφεται στο εγχειρίδιο. Επίσης, για να πληροφορηθείτε για τα εξουσιοδοτημένα κέντρα επισκευών της Black & Decker, τις λεπτομέρειες και τους αρμόδιους των υπηρεσιών που παρέχονται μετά την πώληση, μπορείτε να ανατρέξετε στο Διαδίκτυο στη διεύθυνση:

**[www.2helpU.com](http://www.2helpU.com)**.

## ■ ΑΛΛΑ ΕΡΓΑΛΕΙΑ ΓΙΑ ΜΑΣΤΟΡΕΜΑΤΑ

Η Black & Decker διαθέτει μια πλήρη σειρά εργαλείων, τα οποία διευκολύνουν την εκτέλεση μαστορεμάτων. Για περισσότερες πληροφορίες σχετικά με τα προϊόντα που ακολουθούν, συμβουλευτείτε το Κέντρο Εξυπηρέτησης και Πληροφόρησης (δείτε τη σελίδα διευθύνσεων που βρίσκεται στο τέλος του παρόντος φυλλαδίου) ή το τοπικό σας κατάστημα πώλησης προϊόντων Black & Decker.

Δράπανα  
Επαναφορτιζόμενα κατσαβίδια  
Επαναφορτιζόμενα δραπενοκατσάβιδα  
Τριβεία  
Σέγες  
Δισκοπρίονα  
Φαλτσοπρίονα  
Γωνιακά τριβεία  
Πλάνες  
Ρούτερ  
Πολυεργαλεία, ηλεκτρικά και επαναφορτιζόμενα  
Πιστολέτα θερμού αέρα  
Πάγκοι εργασίας

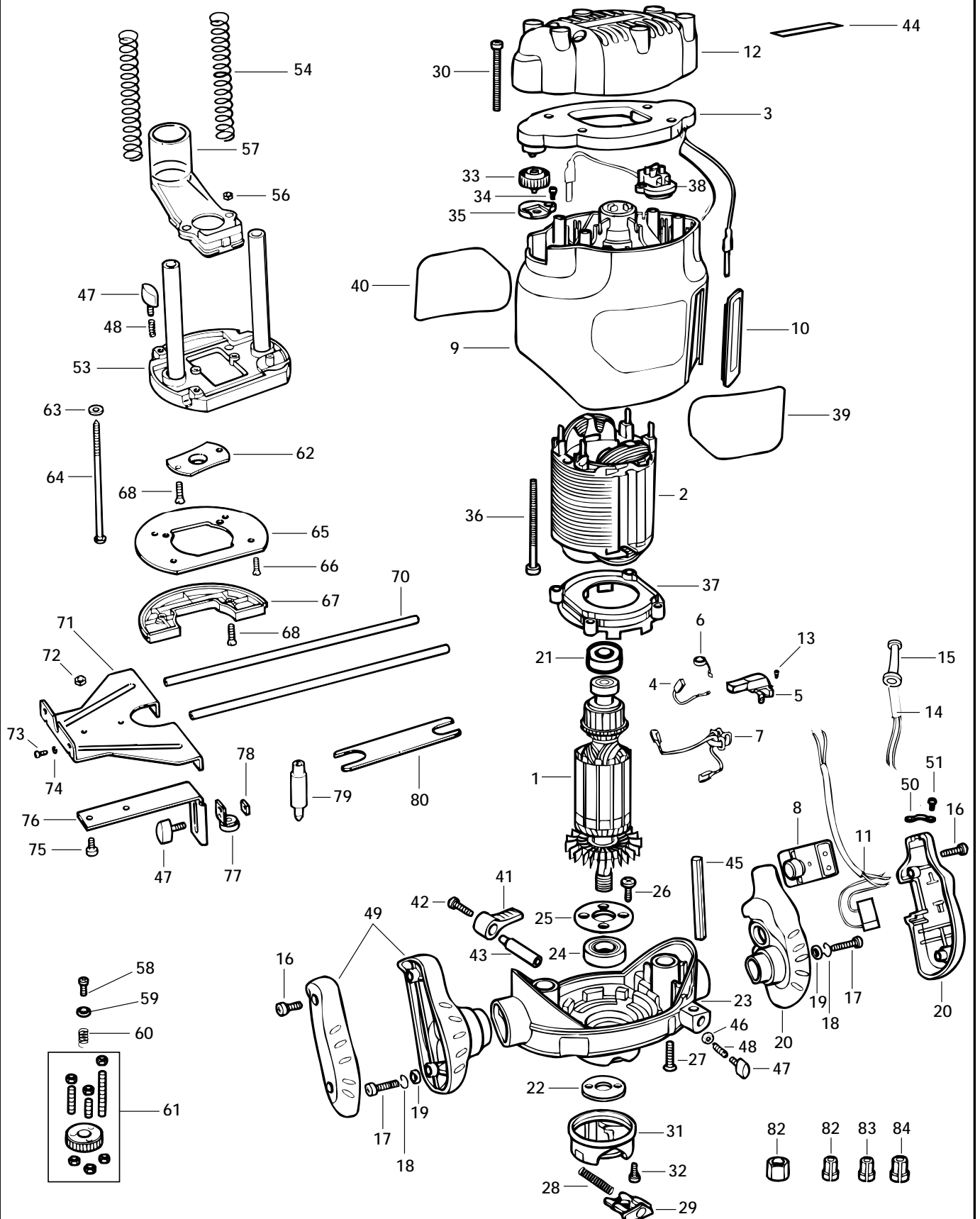
Διαθέτουμε επίσης μία εκτεταμένη σειρά εξαρτημάτων για τα παραπάνω εργαλεία.

Δεν είναι όλα τα προϊόντα διαθέσιμα σε όλες τις χώρες.









<b>Australia</b>	DeWALT Industrial Power Tool Company 7 Clarice Road, Box Hill, Victoria 3128	Tel. 03 9895 9200 Fax 03 9899 7465
<b>Belgique/België</b>	Black & Decker (Belgium) N.V. Weihoek 1, 1930 Zaventem	Tel. 02/719.07.11 Fax 02/719.08.10
<b>Danmark</b>	Black & Decker Hejrevang 26B, 3450 Allerød Internet: www.blackdecker.dk	Tel. 70 20 15 10 Fax 48 14 13 99
<b>Deutschland</b>	Black & Decker GmbH Black & Decker Str. 40, D - 65510 Idstein	Tel. 06126/21 24 83 Fax 06126/21 26 01
<b>Ελλάς</b>	Black & Decker (Ελλάς) A.E. Στράβωνος 7 & Βουλιαγμένης 159 Γλυφάδα 16674, Ελλάδα	Τηλ. (01) 8981-616 Φαξ (01) 8983-570 Service (01) 8982-630
<b>España</b>	Black & Decker Spain Parque de Negocios "Mas Blau" Edificio Muntadas, c/Bergadá, 1, Of. A6 08820 El Prat de Llobregat (Barcelona)	Tel. 934 797 400 Fax 934 797 419
<b>France</b>	Black & Decker (France) S.A.S. B.P. 21, 69571 Dardilly Cédex	Tel. 04 72 20 39 20 Fax 04 72 20 39 00
<b>Helvetia</b>	Eduard Luggen Black & Decker-Service Schweiz Industriestrasse 1 / Postfach 323 8157 Dielsdorf	Tel. 01/854 01 01 Fax 01/854 02 02
<b>Italia</b>	Black & Decker Italia SpA Viale Elvezia 2 20052 Monza (MI)	Tel. 039-23871 Fax 039-2387592/2387594 Numero verde 800-213935
<b>Nederland</b>	Black & Decker (Nederland) BV Florijnstraat 10, 4879 AH Etten-Leur	Tel. 076-5082000 Fax 076-5038184
<b>New Zealand</b>	Black & Decker 81 Hugo Johnson Drive Penrose, Auckland, New Zealand	Tel. 09 579 7600 Fax 09 579 8200
<b>Norge</b>	Black & Decker (Norge) A/S Postboks 248, Leirdal, 1011 Oslo Internet: www.blackdecker.no	Tlf. 22 90 99 00 Fax 22 90 99 01
<b>Österreich</b>	Black & Decker Vertriebsges.m.b.H Erlaaerstraße 165, 1231 Wien	Tel. 01 66116-0 Fax 01 66116-14
<b>Portugal</b>	Black & Decker Rua Egas Moniz 173, 2766-651 S. João do Estoril	Tel. 214667500 Fax 214667575
<b>South Africa</b>	Black & Decker South Africa (Pty) Ltd Physical address: 39 Commerce Crescent Eastgate, ext. 12, Sandton, Kramerville 2148 Postal address: Postnet Suite 107, Private Bag X65 Halfway House 1685	Tel. (011) 653-1400 Fax (011) 653-1499
<b>Suomi</b>	Black & Decker Oy Palotie 3, 01610 Vantaa Black & Decker Oy, Brandvägen 3, 01610 Vanda	Puh: (09) 825 4540 Fax: (09) 825 45 444 Tel: (09) 825 4540 Fax: (09) 825 45 444
<b>Sverige</b>	Black & Decker AB Box 603, 421 26 Västra Frölunda, Besöksadr. Ekonomivägen 11	Tel: 031-68 60 00 Fax: 031-68 60 08
<b>Türkiye</b>	Black & Decker Merkez Servis Dudullu Cad. Kerembey Sok. No. 1 Küçükbakkalköy/Istanbul	Tel. 0216 455 89 73 Faks 0216 455 20 52
<b>United Kingdom</b>	Black & Decker 210 Bath Road Slough, Berkshire SL1 3YD	Tel. 01753 511234 Fax 01753 551155 Helpline 01753 574277

Dealer address  
Händleradresse  
Cachet du revendeur  
Indirizzo del rivenditore  
Adres van de dealer  
Dirección del detallista  
Morada do revendedor  
Återförsäljarens adress  
Forhandlerens adresse  
Forhandler adresse  
Jälleenmyyjän osoite  
Διεύθυνση αντιπροσώπου

Date of purchase  
Kaufdatum  
Date d'achat  
Data d'acquisto  
Aankoopdatum  
Fecha de compra  
Data de compra  
Inkjøpsdato  
Indkøbsdato  
Ostopäivä  
Ημερομηνία αγοράς

◆ Name ◆ Name ◆ Nom ◆ Nome  
◆ Naam ◆ Nombre ◆ Nome ◆ Namn  
◆ Navn ◆ Navn ◆ Nimi ◆ Oνομα:

◆ Is this tool a gift? ◆ Ist dieses Gerät ein Geschenk? ◆ S'agit-il d'un cadeau? ◆ Si tratta di un regalo? ◆ Kreeg u de machine als cadeau? ◆ ¿Ha recibido usted esta herramienta como regalo? ◆ Recebeu esta ferramenta como presente? ◆ Är verktyget en gåva? ◆ Er verkjøyet en gave? ◆ Onko kone lahja? ◆ Το εργαλείο είναι δώρο?

◆ Address ◆ Adresse ◆ Adresse ◆ Indirizzo ◆ Adres ◆ Dirección ◆ Morada ◆ Address ◆ Adresse ◆ Osoite ◆ Διεύθυνση:

◆ Town ◆ Ort ◆ Ville ◆ Città ◆ Plaats ◆ Ciudad ◆ Localidade ◆ Ort ◆ By ◆ By ◆ Paikkakunta ◆ Πόλη:

◆ Postal code ◆ Postleitzahl ◆ Code postal ◆ Codice postale ◆ Postcode ◆ Código ◆ Código postal ◆ Postnr. ◆ Postnr. ◆ Postnummero ◆ Κωδικός

verktøj? ◆ Onko tämä ensimmäinen B&D-koneesi? ◆ Είναι το εργαλείο αυτό η πρώτη σας αγορά?

◆ Yes ◆ Ja ◆ Oui ◆ Si ◆ Ja ◆ Sí ◆ Sim ◆ Ja ◆ Ja ◆ Ja ◆ Kyllä ◆ Nai  
 ◆ No ◆ Nein ◆ Non ◆ No ◆ Nee ◆ No ◆ Não ◆ Nej ◆ Nei ◆ Nej ◆ Ei ◆ Oχι

◆ Dealer address ◆ Händleradresse  
◆ Cachet du revendeur ◆ Indirizzo del rivenditore ◆ Adres van de dealer  
◆ Dirección del detallista ◆ Morada do revendedor ◆ Återförsäljarens adress  
◆ Forhandlerens adresse ◆ Forhandler adresse ◆ Jälleenmyyjän osoite  
◆ Διεύθυνση αντιπροσώπου

Cat. no.:



◆ Data protection act: Tick the box if you prefer not to receive further information. ◆ Bitte ankreuzen, falls Sie keine weiteren Informationen erhalten möchten. ◆ Si vous ne souhaitez pas recevoir d'informations, cochez cette case. ◆ Barrate la casella se non desiderate ricevere informazioni. ◆ A. u. b. dit vakje aankruisen indien u geen informatie wenst te ontvangen. ◆ Señale en la casilla sino quiere recibir información. ◆ Por favor, assinale com uma cruz se não desejar receber informação. ◆ Vänligen kryssa för i rutan om Ni inte vill ha information. ◆ Vennligst kryss av dersom du ikke ønsker informasjon. ◆ Venligst sæt kryds i ruden såfremt De ikke måtte ønske at modtage information. ◆ Merkitkää rasti ruutuun, mikäli ette halua vastaanottaa informaatiota. ◆ Παρακαλείστε να σημειώσετε εάν δεν θέλετε να πάρετε πληροφορίες.

- ◆ GUARANTEE CARD    ◆ GARANTIEKARTE    ◆ CARTE DE GARANTIE    ◆ TAGLIANDO DI GARANZIA  
 ◆ GARANTIEKAART    ◆ TARJETA DE GARANTÍA    ◆ CARTÃO DE GARANTIA    ◆ GARANTIBEVIS  
 ◆ GARANTI KORT    ◆ GARANTI KORT    ◆ TAKUUKORTTI    ◆ ΚΑΡΤΑ ΕΓΓΥΗΣΗΣ

**English**

Please complete this section immediately after the purchase of your tool and send it to Black & Decker in your country. If you live in Australia or New Zealand, please register by using the alternative guarantee card supplied.

**Español**

Después de haber comprado su herramienta envíe usted, por favor, esta tarjeta a la central de Black & Decker en su país.

**Deutsch**

Bitte schneiden Sie diesen Abschnitt ab, stecken ihn in einen frankierten Umschlag und schicken ihn an die Black & Decker Adresse Ihres Landes.

**Português**

Por favor, recorte esta parte, coloque-a num envelope selado e endereçado e envie-o logo após a compra do seu produto para o endereço da Black & Decker do seu país.

**Français**

Découpez cette partie et envoyez-la sous enveloppe timbrée à l'adresse de Black & Decker dans votre pays, ceci immédiatement après votre achat.

**Svenska**

Var vänlig klipp ur denna del och sänd den i ett frankerat kuvert till Black & Deckers adress i Ditt land.

**Italiano**

Per favore ritagliate questa parte, inseritela in una busta con francobollo e spedite-la subito dopo l'acquisto del prodotto all'indirizzo della Black & Decker nella vostra nazione.

**Norsk**

Vennligst klipp ut denne delen umiddelbart etter du har pakket ut ditt produkt og legg det i en adressert konvolutt til Black & Decker (Norge) A/S.

**Suomi**

Leikkaa iriti tämä osa, laita se kuoreen ja postita kuori paikalliseen Black & Decker osoitteeseen.

**Nederlands**

Knip dit gedeelte uit en zend het direct na aankoop in een gefrankeerde, geadresseerde envelop naar het adres van Black & Decker in uw land.

**Ελληνικά**

Παράκαλώ κόψτε αυτό το κομμάτι και ταχυδρομήσατε το αμέσως μετά την αγορά του προϊόντος σας στην Διεύθυνση της Black & Decker στην Ελλάδα.