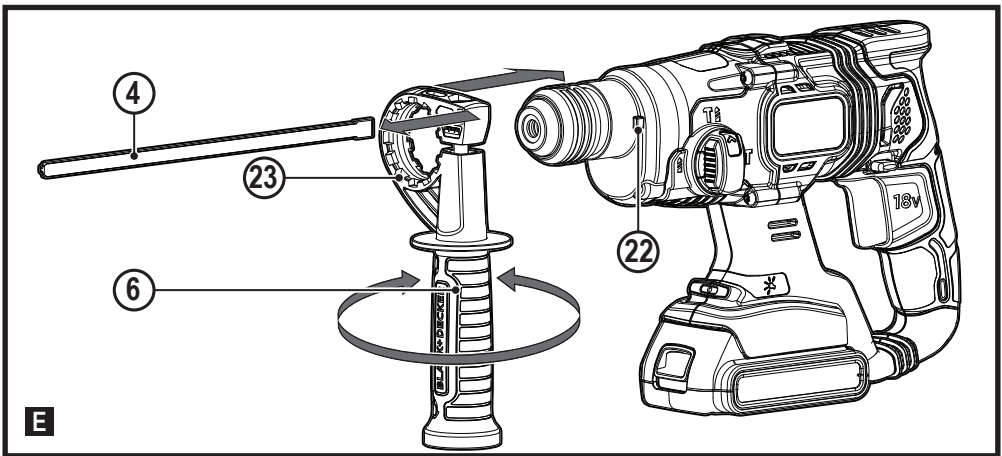
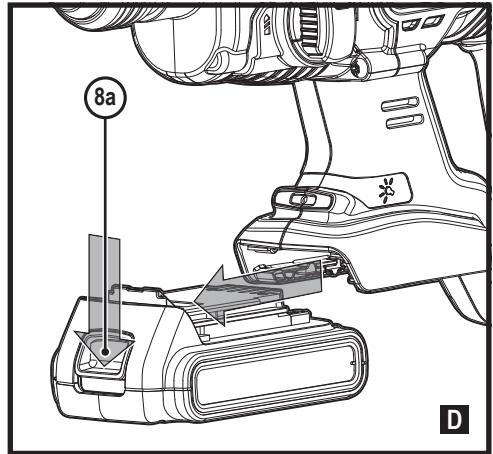
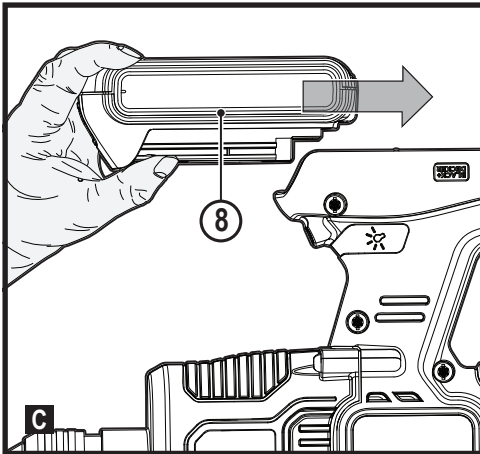
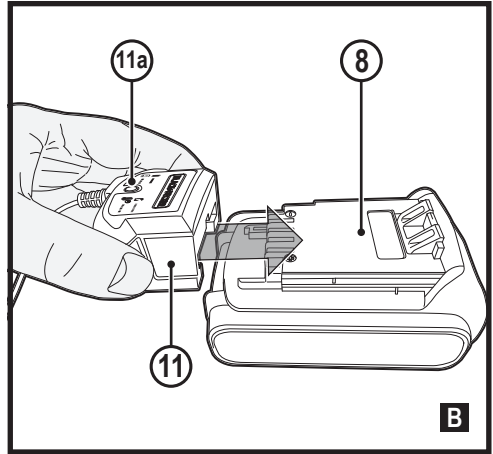
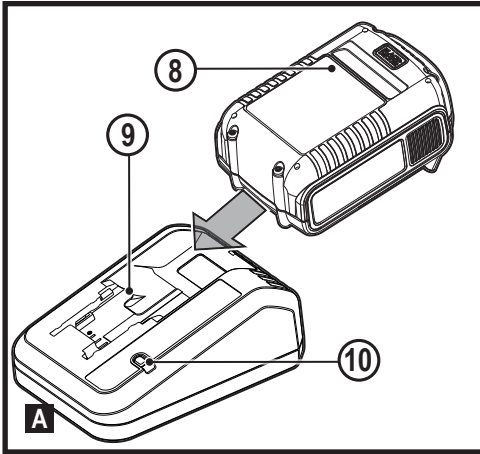
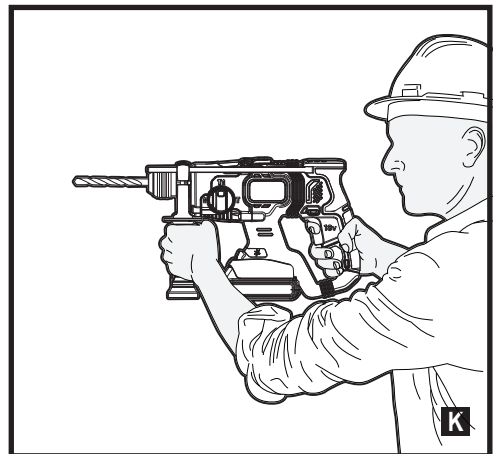
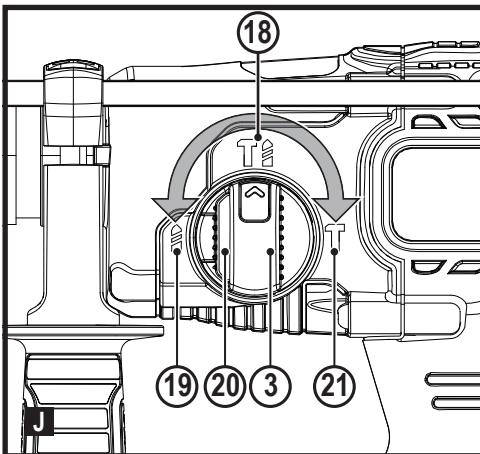
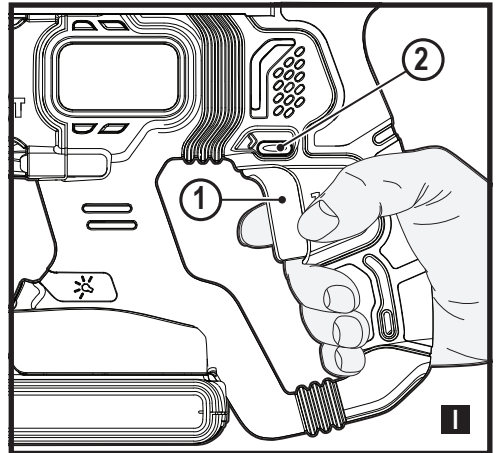
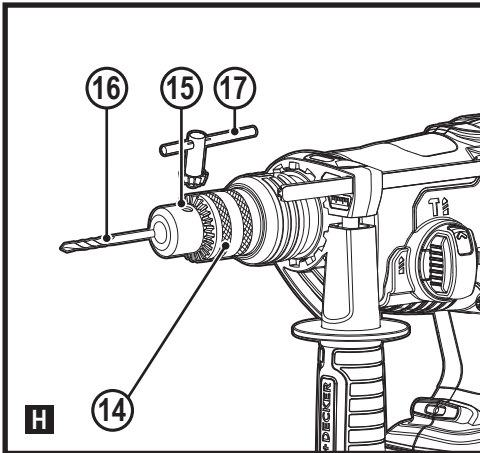
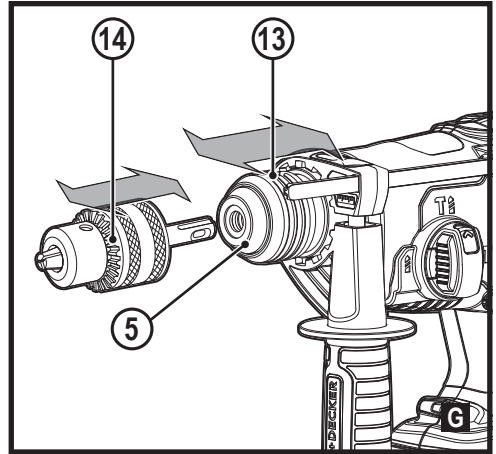
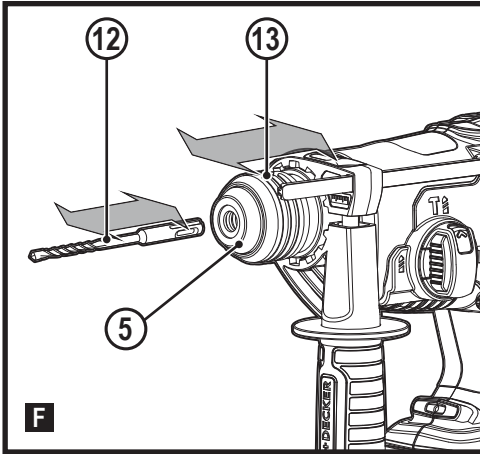


<i>English (Original instructions)</i>	5
<i>Deutsch (Übersetzung der Originalanweisung)</i>	11
<i>Français (Traduction de la notice d'instructions originale)</i>	17
<i>Italiano (Tradotto dalle istruzioni originali)xa</i>	24
<i>Nederlands (Vertaald vanuit de originele instructies)</i>	30
<i>Español (Traducido de las instrucciones originales)</i>	37
<i>Português (Traduzido das instruções originais)</i>	44
<i>Svenska (Översatt från de ursprungliga instruktionerna)</i>	50
<i>Norsk Oversatt fra de originale instruksjonene)</i>	56
<i>Dansk (Oversat fra original brugsvejledning)</i>	62
<i>Suomi (Käännetty alkuperäisestä käyttöohjeesta)</i>	67
<i>Ελληνικά (Μετάφραση από τις πρωτότυπες οδηγίες)</i>	73





Intended use

Your BLACK+DECKER BCD 900 Rotary hammer has been designed for drilling in wood, metal, plastics, and masonry as well as for screwdriving purposes. This tool is intended for consumer use only.

Safety instructions

General power tool safety warnings



WARNING! Read all safety warnings, instructions, illustrations and specifications provided with this power tool. Failure to follow all instructions listed below may result in electric shock, fire and/or serious injury.

Save all warnings and instructions for future reference.

The term "power tool" in the warnings refers to your mains-operated (corded) power tool or battery-operated (cordless) power tool.

1. Work area safety

- a. **Keep work area clean and well lit.** Cluttered or dark areas invite accidents.
- b. **Do not operate power tools in explosive atmospheres, such as in the presence of flammable liquids, gases or dust.** Power tools create sparks which may ignite the dust or fumes.
- c. **Keep children and bystanders away while operating a power tool.** Distractions can cause you to lose control.

2. Electrical safety

- a. **Power tool plugs must match the outlet. Never modify the plug in any way. Do not use any adapter plugs with earthed (grounded) power tools.** Unmodified plugs and matching outlets will reduce risk of electric shock.
- b. **Avoid body contact with earthed or grounded surfaces such as pipes, radiators, ranges and refrigerators.** There is an increased risk of electric shock if your body is earthed or grounded.
- c. **Do not expose power tools to rain or wet conditions.** Water entering a power tool will increase the risk of electric shock.
- d. **Do not abuse the cord. Never use the cord for carrying, pulling or unplugging the power tool. Keep cord away from heat, oil, sharp edges or moving parts.** Damaged or entangled cords increase the risk of electric shock.
- e. **When operating a power tool outdoors, use an extension cord suitable for outdoor use.** Use of a cord suitable for outdoor use reduces the risk of electric shock.
- f. **If operating a power tool in a damp location is**

unavoidable, use a residual current device (RCD) protected supply. Use of an RCD reduces the risk of electric shock.

3. Personal safety

- a. **Stay alert, watch what you are doing and use common sense when operating a power tool. Do not use a power tool while you are tired or under the influence of drugs, alcohol or medication.** A moment of inattention while operating power tools may result in serious personal injury.
 - b. **Use personal protective equipment. Always wear eye protection.** Protective equipment such as a dust mask, non-skid safety shoes, hard hat, or hearing protection used for appropriate conditions will reduce personal injuries.
 - c. **Prevent unintentional starting. Ensure the switch is in the off-position before connecting to power source and/or battery pack, picking up or carrying the tool.** Carrying power tools with your finger on the switch or energising power tools that have the switch on invites accidents.
 - d. **Remove any adjusting key or wrench before turning the power tool on.** A wrench or a key left attached to a rotating part of the power tool may result in personal injury.
 - e. **Do not overreach. Keep proper footing and balance at all times.** This enables better control of the power tool in unexpected situations.
 - f. **Dress properly. Do not wear loose clothing or jewellery.** Keep your hair and clothing away from moving parts. Loose clothes, jewellery or long hair can be caught in moving parts.
 - g. **If devices are provided for the connection of dust extraction and collection facilities, ensure these are connected and properly used.** Use of dust collection can reduce dust-related hazards.
 - h. **Do not let familiarity gained from frequent use of tools allow you to become complacent and ignore tool safety principles.** A careless action can cause severe injury within a fraction of a second.
- #### 4. Power tool use and care
- a. **Do not force the power tool. Use the correct power tool for your application.** The correct power tool will do the job better and safer at the rate for which it was designed.
 - b. **Do not use the power tool if the switch does not turn it on and off.** Any power tool that cannot be controlled with the switch is dangerous and must be repaired.
 - c. **Disconnect the plug from the power source and/or remove the battery pack, if detachable, from the power tool before making any adjustments, changing accessories, or storing power tools.** Such preventative

safety measures reduce the risk of starting the power tool accidentally.

- d. **Store idle power tools out of the reach of children and do not allow persons unfamiliar with the power tool or these instructions to operate the power tool.** Power tools are dangerous in the hands of untrained users.
 - e. **Maintain power tools and accessories. Check for misalignment or binding of moving parts, breakage of parts and any other condition that may affect the power tools operation. If damaged, have the power tool repaired before use.** Many accidents are caused by poorly maintained power tools.
 - f. **Keep cutting tools sharp and clean.** Properly maintained cutting tools with sharp cutting edges are less likely to bind and are easier to control.
 - g. **Use the power tool, accessories and tool bits etc. in accordance with these instructions, taking into account the working conditions and the work to be performed.** Use of the power tool for operations different from those intended could result in a hazardous situation.
 - h. **Keep handles and grasping surfaces dry, clean and free from oil and grease.** Slippery handles and grasping surfaces do not allow for safe handling and control of the tool in unexpected situations.
5. **Battery tool use and care**
 - a. **Recharge only with the charger specified by the manufacturer.** A charger that is suitable for one type of battery pack may create a risk of fire when used with another battery pack.
 - b. **Use power tools only with specifically designated battery packs.** Use of any other battery packs may create a risk of injury and fire.
 - c. **When battery pack is not in use, keep it away from other metal objects, like paper clips, coins, keys, nails, screws, or other small metal objects, that can make a connection from one terminal to another.** Shorting the battery terminals together may cause burns or a fire.
 - d. **Under abusive conditions, liquid may be ejected from the battery; avoid contact. If contact accidentally occurs, flush with water. If liquid contacts eyes, additionally seek medical help.** Liquid ejected from the battery may cause irritation or burns.
 - e. **Do not use a battery pack or tool that is damaged or modified.** Damaged or modified batteries may exhibit unpredictable behaviour resulting in fire, explosion or risk of injury.
 - f. **Do not expose a battery pack or tool to fire or excessive temperature.** Exposure to fire or temperature above 130 °C may cause explosion.
 - g. **Follow all charging instructions and do not charge the battery pack or tool outside the temperature range specified in the instructions.** Charging improperly or at

temperatures outside the specified range may damage the battery and increase the risk of fire.

6. Service

- a. **Have your power tool serviced by a qualified repair person using only identical replacement parts.** This will ensure that the safety of the power tool is maintained.
- b. **Never service damaged battery packs.** Service of battery packs should only be performed by the manufacturer or authorized service providers.

Hammer safety warnings



WARNING! Safety instructions for all operations.

- ◆ **Wear ear protectors.** Exposure to noise can cause hearing loss.
- ◆ **Use auxiliary handles, if supplied with the tool.** Loss of control can cause personal injury.
- ◆ **Brace the tool properly before use.** This tool produces a high output torque and without properly bracing the tool during operation, loss of control may occur resulting in personal injury.
- ◆ **Hold the power tool by insulated gripping surfaces, when performing an operation where the cutting accessory and fasteners may contact hidden wiring or its own cord.** Cutting accessory contacting a "live" wire may make exposed metal parts of the power tool "live" and could give the operator an electric shock.

Safety instructions when using long drill bits with rotary hammers

- ◆ **Always start drilling at low speed and with the bit tip in contact with the workpiece.** At higher speeds, the bit is likely to bend if allowed to rotate freely without contacting the workpiece, resulting in personal injury.
- ◆ **Apply pressure only in direct line with the bit and do not apply excessive pressure.** Bits can bend causing breakage or loss of control, resulting in personal injury.
- ◆ **Never use a chisel accessory in rotary mode.** The accessory will bind in the material and rotate the drill.
- ◆ **Use clamps or another practical way to secure and support the workpiece to a stable platform.** Holding the work by hand or against your body leaves it unstable and may lead to loss of control.
- ◆ **Before drilling into walls, floors or ceilings, check for the location of wiring and pipes.**
- ◆ **Avoid touching the tip of a drill bit just after drilling, as it may be hot.**
- ◆ **The intended use is described in this instruction manual.** The use of any accessory or attachment or performance

of any operation with this tool other than those recommended in this instruction manual may present a risk of personal injury and/or damage to property.

- ◆ Use a face or dust mask whenever the operations may produce dust or flying particles.

Safety of others

- ◆ This appliance is not intended for use by persons (including children) with reduced physical, sensory or mental capabilities, or lack of experience and knowledge, unless they have been given supervision or instruction concerning use of the appliance by a person responsible for their safety.
- ◆ Children should be supervised to ensure that they do not play with the appliance.

Residual risks.

Additional residual risks may arise when using the tool which may not be included in the enclosed safety warnings. These risks can arise from misuse, prolonged use etc.

Even with the application of the relevant safety regulations and the implementation of safety devices, certain residual risks can not be avoided. These include:

- ◆ Injuries caused by touching any rotating/moving parts.
- ◆ Injuries caused when changing any parts, blades or accessories.
- ◆ Injuries caused by prolonged use of a tool. When using any tool for prolonged periods ensure you take regular breaks.
- ◆ Impairment of hearing.
- ◆ Health hazards caused by breathing dust developed when using your tool (example:- working with wood, especially oak, beech and MDF.)

Vibration

The declared vibration emission values stated in the technical data and the declaration of conformity have been measured in accordance with a standard test method provided by EN62841 and may be used for comparing one tool with another.

The declared vibration emission value may also be used in a preliminary assessment of exposure.



WARNING! The vibration emission value during actual use of the power tool can differ from the declared value depending on the ways in which the tool is used. The vibration level may increase above the level stated.

When assessing vibration exposure to determine safety measures required by 2002/44/EC to protect persons regularly using power tools in employment, an estimation of vibration exposure should consider, the actual conditions of use and the way the tool is used, including taking account of all parts of the operating cycle such as the times when the tool is switched off and when it is running idle in addition to the trigger time.

Labels on tool

The following symbols are shown on the tool along with the date code:



WARNING! To reduce the risk of injury, the user must read the instruction manual.



Wear ear protectors with Rotary hammers. Exposure to noise can cause hearing loss.



Do not stare at operating lamp

Additional safety instructions for batteries and chargers

Batteries

- ◆ Never attempt to open for any reason.
- ◆ Do not expose the battery to water.
- ◆ Do not expose the battery to heat.
- ◆ Do not store in locations where the temperature may exceed 40 °C.
- ◆ Charge only at ambient temperatures between 10 °C and 40 °C.
- ◆ Charge only using the charger provided with the appliance/tool.
- ◆ When disposing of batteries, follow the instructions given in the section "Protecting the environment".
- ◆ Do not damage/deform the battery pack either by puncture or impact, as this may create a risk of injury and fire.
- ◆ Do not charge damaged batteries.
- ◆ Under extreme conditions, battery leakage may occur. When you notice liquid on the batteries carefully wipe the liquid off using a cloth. Avoid skin contact.
- ◆ In case of skin or eye contact, follow the instructions below.



WARNING! The battery fluid may cause personal injury or damage to property. In case of skin contact, immediately rinse with water. If redness, pain or irritation occurs seek medical attention. In case of eye contact, rinse immediately with clean water and seek medical attention.

Chargers

Your charger has been designed for a specific voltage. Always check that the mains voltage corresponds to the voltage on the rating plate.



WARNING! Never attempt to replace the charger unit with a regular mains plug.

- ◆ Use your charger only to charge the battery in the tool with which it was supplied. Other batteries could burst, causing personal injury and damage.
- ◆ Never attempt to charge non-rechargeable batteries.

- ◆ If the supply cord is damaged, it must be replaced by the manufacturer or an authorised Service Centre in order to avoid a hazard.
- ◆ Have defective cords replaced immediately.
- ◆ Do not expose the charger to water.
- ◆ Do not open the charger.
- ◆ Do not probe the charger.
- ◆ The appliance/tool/battery must be placed in a well ventilated area when charging.



The charger is intended for indoor use only.



Read the instruction manual before use.

Electrical safety



Your charger is double insulated; therefore no earth wire is required. Always check that the mains voltage corresponds to the voltage on the rating plate. Never attempt to replace the charger unit with a regular mains plug.

- ◆ If the supply cord is damaged, it must be replaced by the manufacturer or an authorised BLACK+DECKER service centre in order to avoid a hazard

Features

This tool includes some or all of the following features.

1. On/Off switch
2. Forward/reverse selector
3. Drilling mode selector
4. Depth stop
5. Tool holder
6. Side handle
7. Led work light
8. Battery

Assembly

Use



WARNING! Let the tool work at its own pace. Do not overload.

- ◆ Charge battery fully before first use.

Note: If unit cuts off suddenly in use, remove battery pack and place on charge to fully charge.

Note: If unit will not restart after heavy use, allow tool and battery pack to cool down before resuming work.

Charging the battery (fig. A, B)

The battery needs to be charged before first use and whenever it fails to produce sufficient power on jobs that were easily done before. The battery may become warm while charging; this is normal and does not indicate a problem.



WARNING! Do not charge the battery at ambient temperatures below 10 °C or above 40 °C.
Recommended charging temperature: approx. 24 °C.

NOTE: The charger will not charge a battery if the cell temperature is below approximately 10 °C or above 40 °C. The battery should be left in the charger and the charger will begin to charge automatically when the cell temperature warms up or cools down.

- ◆ To charge the battery, insert the Battery (8) into the desk charger (9) or the cup charger (11) depending on your model. The battery will only fit into the charger one way.
- ◆ Plug the desk charger (9) or the cup charger (11) into a suitable power source and switch on.
- ◆ Charge discharged batteries within 1 week. Battery life will be greatly diminished if stored in a discharged state.

Fitting and removing the battery (fig. C, D)

- ◆ To fit the battery, line it up with the receptacle on the tool. Slide the battery into the receptacle and push until the battery snaps into place.
- ◆ To remove the battery, push the release button (8a) and remove the battery from the receptacle.

Fitting the side handle and depth stop (fig. E)

- ◆ Turn the grip clockwise until you can slide the side handle (6) onto the front of the tool as shown.
- ◆ Rotate the side handle into the desired position.
- ◆ Insert the depth stop (4) into the mounting hole as shown.
- ◆ Set the depth stop to the desired position. The maximum drilling depth is equal to the distance between the tip of the drill bit and the front end of the depth stop.
- ◆ Ensure handle detents (23) are locked onto the ribs on the housing (22).
- ◆ Tighten the side handle by turning the grip counterclockwise.

Fitting an accessory (fig. F - G)

- ◆ Clean and grease the shank (12) of the accessory.
- ◆ Insert the shank into the tool holder (5).
- ◆ Push the accessory down and turn it slightly until it fits into the slots.
- ◆ Pull on the accessory to check if it is properly locked. The hammering function requires the accessory to be able to move axially several centimetres when locked in the tool holder.
- ◆ To remove the accessory, pull back the sleeve (13) and pull out the accessory.

Keyed chuck (fig. H)

- ◆ Open the chuck by turning the sleeve (14) anti-clockwise.
- ◆ Insert the bit shaft (16) into the chuck.
- ◆ Insert the chuck key (17) into the hole (15) in the side of the chuck and turn clockwise until tight.



WARNING! Before drilling into walls, floors or ceilings, check for the location of wiring and pipes.



WARNING! Do not apply chisels when the tool is in the drilling mode.

Forward/reverse action (fig. I)

- ◆ Move the selector (2) to indicate the direction you require.

Switching on and off (fig. I)

- ◆ To switch the tool on, press the variable speed switch (1). The tool speed depends on how far you press the switch.
- ◆ As a general rule, use low speeds for large diameter drill bits and high speeds for smaller diameter drill bits.
- ◆ To switch the tool off, release the variable speed switch.

Selecting the operating mode (fig. J)

The tool can be used in three operating modes.

- ◆ To operate the operating mode selector (3), push the unlock button (20) and rotate the selector towards the required position, as indicated by the symbols.

Drilling

- ◆ For drilling in steel, wood and plastics, and for screwdriving set the operating mode selector (3) to the **1** position (19).

Hammer drilling

- ◆ For hammer drilling in masonry and concrete, set the operating mode selector (3) to the **T** position (18). When hammering, the tool should not bounce and run smoothly. If necessary, increase the speed.

Hammering

- ◆ For hammering with spindle lock, and for light chiselling and chipping, set the operating mode selector (3) to the **T** position (21).
- ◆ When changing from hammer drilling to chiselling, turn the chisel to the desired position. If resistance is felt during mode change, slightly turn the chisel to engage the spindle lock.

Accessories

The performance of your tool depends on the accessory used. Stanley BLACK+DECKER accessories are engineered to high quality standards and designed to enhance the performance of your tool. By using these accessories you will get the very best from your tool.

Maintenance

Your BLACK+DECKER corded/cordless appliance/tool has been designed to operate over a long period of time with a minimum of maintenance. Continuous satisfactory operation depends upon proper tool care and regular cleaning.

Warning! Before performing any maintenance on corded / cordless power tools:

- ◆ Switch off and unplug the appliance/tool.
- ◆ Or switch off and remove the battery from the appliance/tool if the appliance/tool has a separate battery pack.
- ◆ Or run the battery down completely if it is integral and then switch off.
- ◆ Unplug the charger before cleaning it. Your charger does not require any maintenance apart from regular cleaning.
- ◆ Regularly clean the ventilation slots in your appliance/tool/charger using a soft brush or dry cloth.
- ◆ Regularly clean the motor housing using a damp cloth. Do not use any abrasive or solvent-based cleaner.
- ◆ Regularly open the chuck and tap it to remove any dust from the interior (when fitted).

Mains plug replacement (U.K. & Ireland only)

If a new mains plug needs to be fitted:

- ◆ Safely dispose of the old plug.
- ◆ Connect the brown lead to the live terminal in the new plug.
- ◆ Connect the blue lead to the neutral terminal.



WARNING! No connection is to be made to the earth terminal. Follow the fitting instructions supplied with good quality plugs. Recommended fuse: 5 A.

Protecting the environment



Separate collection. Products and batteries marked with this symbol must not be disposed of with normal household waste.

Products and batteries contain materials that can be recovered or recycled, reducing demand for raw materials.

Please recycle electrical products and batteries according to local provisions. Further information is available at www.2helpU.com

Technical data

		BCD900D1S / D1K	BCD900E2K	BCD900M1K	BCD900B
Input voltage	V _{DC}	18	18	18	18
No-load speed	min ⁻¹	0 - 1800	0 - 1800	0 - 1800	0 - 1800
Impact rate	min ⁻¹	0 - 6350	0 - 6350	0 - 6350	0 - 6350
Weight	kg	2.60	2.60	2.87	2.22
Max. drilling capacity					
Concrete	mm	18	18	18	18
Steel	mm	13	13	13	13
Wood	mm	25	25	25	25
Battery		BL2018	BL2518	BL4018	Not Supplied
Voltage	V _{DC}	18	18	18	
Capacity	Ah	2.0	2.5	4.0	
type		Li-Ion	Li-Ion	Li-Ion	

Charger			
Input Voltage	V _{AC}	220 - 240	230
Output Voltage	V _{DC}	8 - 20	18
Current	A	1.0	2.0
Approx. Charge time	hour	2 - 4 h	1 - 2 h

Declared dual-number noise emission values in accordance with ISO 4871	
Measured A-weighted sound power level, L _{WA} (ref. 1pW), in decibels = 100 dB(A) Uncertainty, K _{WA} , in decibels = 3 dB(A)	
Measured A-weighted sound power level at the work station, L _{TA} (ref. 20µPA), in decibels = 92 dB(A) Uncertainty, K _{TA} , in decibels = 3 dB(A)	
Values determined according to noise test code given in EN62841-1:2015+AC:2015+A11:2022, using the basic standards EN62841-2-6:2020+A11:2020	
NOTE - The sum of a measured noise emission value and its associated uncertainty represents an upper boundary of the range of values which is likely to occur in measurements	

Vibration total values (triax vector sum) determined according to EN 62841		
	the work mode description 'hammer drilling into concrete'	the work mode description 'chiselling'
Vibration emission Value a _v	14.8 m/s ²	18.4 m/s ²
Uncertainty K	1.5 m/s ²	1.5 m/s ²
Values determined according to EN62841-1:2015+AC:2015+A11:2022 and EN62841-2-6:2020+A11:2020		

The undersigned is responsible for compilation of the technical file and makes this declaration on behalf of Black & Decker



Ed Higgins
Director - Consumer Power Tools
Black and Decker Slough England SL1 4DX
United Kingdom
30/12/2022

**EC declaration of conformity
MACHINERY DIRECTIVE**



BCD900 Rotary hammer
Black & Decker declares that these products described
under "technical data" are in compliance with:
2006/42/EC, EN62841-1:2015+AC:2015+A11:2022,
EN62841-2-6:2020+A11:2020.

These products also comply with Directive 2014/30/EU and
2011/65/EU. For more information, please contact Black
& Decker at the following address or refer to the back of
the manual.

The undersigned is responsible for compilation of the technical
file and makes this declaration on behalf of Black & Decker .



Patrick Diepenbach
General Manager, Benelux
Black and Decker, 2800 Mechelen,
Belgium
30/12/2022

**Declaration of Conformity
Supply of Machinery (Safety) Regulations 2008**



BCD900 Rotary hammer

Black & Decker declares that these products described under
"technical data" are in compliance with:

The Supply of Machinery (Safety) Regulations, 2008, S.I.
2008/1592 (as amended),
BS EN62841-1:2015+AC:2015+A11:2022,
BS EN62841-2-6:2020+A11:2020.

These products conform to the following UK Regulations:
Electromagnetic Compatibility Regulations, 2016,
S.I.2016/1091 (as amended).

The Restriction of the Use of Certain Hazardous Substances
in Electrical and Electronic Equipment Regulations 2012, S.I.
2012/3032 (as amended).

For more information, please contact Black & Decker at the
following address or refer to the back of the manual.

Guarantee

Black & Decker is confident of the quality of its products and
offers consumers a 24 month guarantee from the date of
purchase. This guarantee is in addition to and in no way
prejudices your statutory rights. The guarantee is valid within
the territories of the Member States of the European Union
and the European Free Trade Area and the United Kingdom.
To claim on the guarantee, the claim must be in accordance
with Black & Decker Terms and Conditions and you will need
to submit proof of purchase to the seller or an authorised
repair agent.

Terms and conditions of the Black & Decker 2 year guarantee
and the location of your nearest authorised repair agent can
be obtained on the Internet at www.2helpU.com, or by
contacting your local Black & Decker office at the address
indicated in this manual.

Please visit our website www.blackanddecker.co.uk to register
your new Black & Decker product and receive updates on new
products and special offers.

Verwendungszweck

Ihr BLACK+DECKER BCD 900 Bohrhämmer ist zum Bohren in Holz, Metall, Kunststoff und Mauerwerk sowie zum Schrauben bestimmt. Dieses Tool ist nur für die Verwendung durch Verbraucher bestimmt.

Sicherheitshinweise

Allgemeine Sicherheitswarnungen für das Gerät



WARNUNG! Beachten Sie alle Sicherheitshinweise, Anweisungen, Darstellungen und Daten, die Sie mit dem Gerät erhalten. Die Nichteinhaltung der folgenden Warnungen und Anweisungen kann einen elektrischen Schlag, Brand und/oder schwere Verletzungen verursachen.

Bewahren Sie alle Warnhinweise und alle Anweisungen gut auf. Der nachfolgend verwendete Begriff "Gerät" bezieht sich auf netzbetriebene Geräte (mit Netzkabel) und auf akkubetriebene Geräte (ohne Netzkabel).

1. Sicherheit im Arbeitsbereich

- a. **Halten Sie Ihren Arbeitsbereich sauber und gut ausgeleuchtet.** Unaufgeräumte oder dunkle Bereiche begünstigen Unfälle.
- b. **Betreiben Sie das Gerät nicht in Umgebungen, in denen Explosionsgefahr z. B. aufgrund von brennbaren Flüssigkeiten, Gasen oder Staub besteht.** Geräte erzeugen Funken, die den Staub oder die Dämpfe entzünden können.
- c. **Halten Sie Kinder und andere Personen während der Benutzung eines Geräts fern.** Bei Ablenkung können Sie die Kontrolle verlieren.

2. Elektrische Sicherheit

- a. **Der Netzstecker des Geräts muss in die Steckdose passen. Ändern Sie niemals den Stecker in irgendeiner Form.**
Verwenden Sie keinerlei Adapterstecker an geerdeten Elektrogeräten. Unveränderte Stecker und passende Steckdosen mindern die Gefahr eines elektrischen Schlages.
- b. **Vermeiden Sie Körperkontakt mit geerdeten Oberflächen von Rohren, Heizungen, Herden und Kühlschränken.** Es besteht eine erhöhte Gefahr für einen elektrischen Schlag, wenn Ihr Körper geerdet ist.
- c. **Halten Sie Geräte von Regen und Nässe fern.** Das Eindringen von Wasser in ein Gerät erhöht das Risiko eines elektrischen Schlages.
- d. **Verwenden Sie das Kabel ordnungsgemäß.**
Verwenden Sie es niemals zum Tragen. Trennen Sie

das Gerät nicht durch Ziehen am Kabel vom Netz. Halten Sie das Kabel fern von Hitze, Öl, scharfen Kanten oder beweglichen Teilen. Beschädigte oder verhedderte Kabel erhöhen die Gefahr eines elektrischen Schlages.

- e. **Verwenden Sie nur für den Außenbereich zugelassene Verlängerungskabel, wenn Sie mit dem Gerät im Freien arbeiten.** Die Verwendung eines für den Außenbereich geeigneten Verlängerungskabels verringert das Risiko eines elektrischen Schlages.
 - f. **Wenn das Gerät in einer feuchten Umgebung verwendet werden muss, schließen Sie es unbedingt an eine Steckdose mit Fehlerstromschutzschalter (FI-Schalter) an.**
Ein Fehlerstromschutzschalter verringert das Risiko eines elektrischen Schlages.
- #### 3. Sicherheit von Personen
- a. **Seien Sie aufmerksam, achten Sie darauf, was Sie tun, und gehen Sie sachgerecht mit einem Gerät um. Benutzen Sie kein Gerät, wenn Sie müde sind oder unter dem Einfluss von Drogen, Alkohol oder Medikamenten stehen.** Ein Moment der Unachtsamkeit beim Betrieb eines Geräts kann zu schweren Verletzungen führen.
 - b. **Verwenden Sie eine geeignete Schutzausrüstung. Tragen Sie immer einen Augenschutz.** Das Tragen persönlicher Schutzausrüstung, wie Staubmaske, rutschfeste Sicherheitsschuhe, Schutzhelm oder Gehörschutz, je nach Art und Einsatz des Geräts, verringert das Risiko von Verletzungen.
 - c. **Vermeiden Sie eine unbeabsichtigte Inbetriebnahme. Vergewissern Sie sich, dass das Gerät ausgeschaltet ist, bevor Sie es an eine Steckdose oder einen Akku anschließen, es hochheben oder tragen.** Wenn Sie beim Tragen des Geräts den Finger am Schalter haben oder das Gerät eingeschaltet an die Stromversorgung anschließen, kann dies zu Unfällen führen.
 - d. **Entfernen Sie Einstell- oder Schraubenschlüssel, bevor Sie das Gerät einschalten.** Werkzeuge oder Schlüssel, die an rotierenden Teilen des Elektrogerätes angebracht sind, können zu Verletzungen führen.
 - e. **Beugen Sie sich nicht zu weit nach vorne. Sorgen Sie für einen sicheren Stand und halten Sie jederzeit das Gleichgewicht.** Dadurch können Sie das Gerät in unerwarteten Situationen besser kontrollieren.
 - f. **Ziehe dich richtig an. Tragen Sie keine weite Kleidung oder Schmuck.** Halten Sie Ihre Haare und Kleidung von beweglichen Teilen fern. Lose Kleidung, Schmuck oder lange Haare können von sich bewegenden Teilen erfasst werden.
 - g. **Falls Vorrichtungen zum Absaugen oder Auffangen von Staub vorhanden sind, vergewissern Sie sich,**

dass diese angeschlossen sind und richtig verwendet werden. Das Verwenden einer Staubauffangvorrichtung verringert Gefährdungen durch Staub.

- h. **Vermeiden Sie, durch die häufige Nutzung des Werkzeugs in einen Trott zu verfallen und Prinzipien für die Werkzeugsicherheit zu ignorieren.** Eine unachtsame Aktion kann im Bruchteil einer Sekunde zu schweren Verletzungen führen.
4. **Gebrauch und Pflege von Geräten**
- a. **Überlasten Sie das Gerät nicht. Verwenden Sie das für Ihre Arbeit passende Gerät.**
Das richtige Gerät wird die Aufgabe besser und sicherer erledigen, wenn es bestimmungsgemäß verwendet wird.
- b. **Verwenden Sie das Gerät nicht, wenn der Ein-/Ausschalter nicht funktioniert.** Ein Gerät, das sich nicht mehr ein- oder ausschalten lässt, ist gefährlich und muss repariert werden.
- c. **Trennen Sie den Stecker von der Stromquelle und/oder entfernen Sie den Akku, falls abnehmbar, vom Elektrowerkzeug, bevor Sie Einstellungen vornehmen, Zubehörteile wechseln oder Elektrowerkzeuge lagern.** Diese Vorbeugemaßnahmen mindern die Gefahr, dass das Elektrogerät unbeabsichtigt startet.
- d. **Bewahren Sie unbenutzte Geräte außerhalb der Reichweite von Kindern auf. Lassen Sie Geräte nicht von Personen benutzen, die damit nicht vertraut sind oder diese Anweisungen nicht gelesen haben.** Geräte sind in den Händen nicht geschulter Personen gefährlich.
- e. **Halten Sie das Gerät und sein Zubehör in einem einwandfreien Zustand. Kontrollieren Sie, ob bewegliche Teile falsch ausgerichtet sind oder klemmen und ob Teile gebrochen oder so beschädigt sind, dass die Funktion des Geräts beeinträchtigt ist. Bei Beschädigungen lassen Sie das Gerät reparieren, bevor Sie es verwenden.** Viele Unfälle entstehen wegen mangelnder Wartung der Geräte.
- f. **Halten Sie Schneidgeräte scharf und sauber.** Richtig gewartete Schneidwerkzeuge mit scharfen Klingen blockieren seltener und sind leichter unter Kontrolle zu halten.
- g. **Benutzen Sie Elektrowerkzeuge, Zubehör, Werkzeugspitzen und Ähnliches in Übereinstimmung mit diesen Anweisungen und auf die für das jeweilige Elektrowerkzeug bestimmungsgemäße Weise und beachten Sie dabei die jeweiligen Arbeitsbedingungen und die Art der auszuführenden Arbeiten.**
Der Gebrauch von Geräten für andere als die vorgesehenen Zwecke kann zu gefährlichen Situationen führen.
- h. **Halten Sie die Griffe trocken, sauber und frei von Öl und Fett. Rutschige Griffe und Oberflächen**

unterbinden die sichere Bedienbarkeit und Kontrolle über das Werkzeug in unerwarteten Situationen.

5. **Gebrauch und Pflege von Akkuwerkzeugen**
- a. **Laden Sie den Akku nur mit dem vom Hersteller vorgesehenen Ladegerät auf.**
Für ein Ladegerät, das nur für eine bestimmte Akkuart geeignet ist, besteht Brandgefahr, wenn es mit anderen Akkus verwendet wird.
- b. **Verwenden Sie nur die für das jeweilige Gerät vorgesehenen Akkus.** Die Verwendung anderer Akkus kann zu Verletzungen oder Bränden führen.
- c. **Bewahren Sie den Akku bei Nichtbenutzung nicht in der Nähe metallischer Objekte wie Büroklammern, Münzen, Schlüsseln, Nägeln oder Schrauben auf, da diese eine Verbindung zwischen beiden Polen des Akkus herstellen können.** Durch den dadurch entstehenden Kurzschluss kann der Akku in Brand geraten.
- d. **Bei falscher Anwendung kann Flüssigkeit aus dem Akku austreten. Vermeiden Sie den Kontakt damit. Bei unbeabsichtigtem Kontakt mit Wasser abspülen. Gelangt die Flüssigkeit in die Augen, ziehen Sie außerdem ärztliche Hilfe hinzu. Austretende Akkufflüssigkeit kann zu Hautreizungen oder Verbrennungen führen.**
6. **Service**
- a. **Lassen Sie Ihr Elektrowerkzeug nur von qualifiziertem Fachpersonal und nur mit Original-Ersatzteilen reparieren.** Damit wird sichergestellt, dass die Sicherheit des Geräts erhalten bleibt.
- b. **Führen Sie an beschädigten Akkus niemals Wartungsarbeiten durch.** Die Wartung von Akkus darf nur vom Hersteller oder von autorisierten Dienstleistern durchgeführt werden (nur für Akkuwerkzeuge verwenden).

Zusätzliche Sicherheitswarnungen für das Gerät



WARNUNG! Sicherheitshinweise für alle Vorgänge.

- ◆ **Tragen Sie Gehörschutz.** Lärm kann Gehörschäden verursachen.
- ◆ **Verwenden Sie Hilfsgriffe, falls mit dem Werkzeug geliefert.** Kontrollverlust kann zu Verletzungen führen.
- ◆ **Halten Sie das Elektrowerkzeug an den isolierten Griffflächen, wenn Sie Arbeiten ausführen, bei denen das Schneidzubehör und die Befestigungselemente mit verborgenen Kabeln oder dem eigenen Kabel in Kontakt kommen können.** Der Kontakt mit stromführenden Leitungen kann auch offen liegende Metallteile am Gerät unter Strom setzen und zu einem Stromschlag führen.

- ◆ **Spannen Sie das Werkzeug vor Gebrauch richtig fest.** Dieses Werkzeug erzeugt ein hohes Ausgangsdrehmoment. Wenn das Werkzeug während des Betriebs nicht ordnungsgemäß festgespannt ist, kann es zu einem Kontrollverlust und dadurch zu Verletzungen kommen.

Sicherheitshinweise bei der Verwendung langer Bohrer mit Bohrhämmern

- ◆ **Beginnen Sie das Bohren immer mit niedriger Geschwindigkeit und mit der Bohrspitze in Kontakt mit dem Werkstück.** Bei höheren Drehzahlen kann sich der Bohrer leicht verbiegen, wenn er sich frei drehen kann, ohne das Werkstück zu berühren, was zu Verletzungen führen kann.
- ◆ **Beginnen Sie beim Bohren immer mit niedriger Drehzahl und so, dass die Bohrspitze in Kontakt mit dem Werkstück ist.** Bei höheren Drehzahlen kann sich der Bohrer leicht verbiegen, wenn er sich frei drehen kann, ohne das Werkstück zu berühren, was zu Verletzungen führen kann.
- ◆ **Üben Sie Druck nur in direkter Linie mit dem Bohrerbit aus und üben Sie keinen übermäßigen Druck aus.** Bits können sich verbiegen, was zu einem Bruch oder Kontrollverlust und dadurch zu Verletzungen führen kann.
- ◆ **Verwenden Sie auf keinen Fall ein Meißelwerkzeug im Bohrmodus.** Das Werkzeug setzt sich im Material fest und versetzt die Bohrmaschine in Rotation.
- ◆ **Sichern Sie das Werkstück zum Beispiel mit Einspannvorrichtungen auf einer stabilen Plattform.** Das Werkstück ist instabil, wenn es mit der Hand oder dem Körper abgestützt wird, was zum Verlust der Kontrolle führen kann.
- ◆ Prüfen Sie vor dem Bohren in Wände, Fußböden oder Decken diese Stellen auf dahinterliegende Kabel oder Rohre.
- ◆ Berühren Sie die Spitze des Bohreinsatzes nicht unmittelbar nach dem Bohren, da diese heiß sein kann.
- ◆ Die bestimmungsgemäße Verwendung ist in dieser Betriebsanleitung beschrieben. Die Verwendung von Zubehör- oder Anbauteilen, die nicht in dieser Anleitung empfohlen werden, sowie die Bedienung des Geräts in Abweichung von den in dieser Anleitung beschriebenen Verfahren können zu Verletzungen und/oder Sachschäden führen.
- ◆ Verwenden Sie eine Atemschutz- oder Staubmaske, wenn bei der Arbeit Staub oder Splitter entstehen können.

Sicherheit anderer Personen

- ◆ Dieses Gerät darf nicht von Personen (einschließlich Kindern) mit eingeschränkten physischen, sensorischen oder mentalen Fähigkeiten oder ohne ausreichende

Erfahrung oder Kenntnisse verwendet werden, außer wenn diese Personen von einer Person, die für ihre Sicherheit verantwortlich ist, bei der Verwendung des Geräts beaufsichtigt oder mit ihm vertraut gemacht werden.

- ◆ Kinder müssen beaufsichtigt werden, um sicherzustellen, dass sie nicht mit dem Gerät spielen.

Restrisiken.

Beim Gebrauch dieses Geräts verbleiben zusätzliche Restrisiken, die möglicherweise nicht in den Sicherheitswarnungen genannt werden. Diese Risiken bestehen beispielsweise bei Missbrauch oder längerem Gebrauch.

Auch bei der Einhaltung der entsprechenden Sicherheitsvorschriften und der Verwendung aller Sicherheitsgeräte bestehen weiterhin bestimmte Restrisiken. Diese sind:

- ◆ Verletzungen, die durch das Berühren von sich drehenden/bewegenden Teilen verursacht werden.
- ◆ Verletzungen, die durch das Austauschen von Teilen, Messern oder Zubehör verursacht werden.
- ◆ Der längere Gebrauch eines Geräts kann Verletzungen zur Folge haben. Legen Sie bei längerem Gebrauch regelmäßige Pausen ein.
- ◆ Schwerhörigkeit.
- ◆ Gesundheitsrisiken durch das Einatmen von Staub beim Gebrauch des Geräts (z. B. bei Holzarbeiten, insbesondere Eiche, Buche und Pressspan)

Vibration

Die in den Abschnitten "Technische Daten" und "EG-Konformitätserklärung" angegebenen Werte für die Vibrationsemission wurden mit einer Standard-Prüfmethode nach EN 60745 ermittelt und können zum Vergleich verschiedener Geräte herangezogen werden. Außerdem kann mit Hilfe dieses Werts die Belastung bei Verwendung des Geräts schon im Voraus eingeschätzt werden.

Warnung! Die bei Verwendung des Geräts auftretende Vibrationsemission hängt von der Art des Gerätegebrauchs ab und kann dementsprechend von dem angegebenen Wert abweichen. Gegebenenfalls kann die Vibration über dem angegebenen Wert liegen.

Für die Ermittlung der Vibrationsbelastung müssen zur Festlegung von Sicherheitsmaßnahmen die tatsächlichen Einsatzbedingungen und Verwendungen des Geräts während des gesamten Arbeitsgangs berücksichtigt werden, einschließlich der Zeiten, wenn das Gerät nicht verwendet oder im Leerlauf betrieben wird.

Etiketten am Werkzeug

Am Gerät sind die folgenden Piktogramme inkl. Datumscode angebracht:



WARNUNG! Lesen Sie vor Gebrauch die Anleitung. Andernfalls besteht Verletzungsgefahr.



Bei Bohrhämmern Gehörschutz tragen. Lärm kann Gehörschäden verursachen.



Blicken Sie nicht in die eingeschaltete Leuchte

Zusätzliche Sicherheitshinweise für Akkus und Ladegeräte

Akkus

- Keinesfalls versuchen, den Akku zu öffnen.
- Achten Sie darauf, dass der Akku nicht mit Wasser in Berührung kommt.
- Setzen Sie den Akku keinen hohen Temperaturen aus.
- Nicht bei Temperaturen über 40 °C lagern.
- Laden Sie den Akku ausschließlich bei Umgebungstemperaturen zwischen 10 °C und 40 °C.
- Verwenden Sie ausschließlich das mit dem Gerät gelieferte Ladegerät.
- Beachten Sie bei der Entsorgung von Batterien und Akkus die Hinweise im Abschnitt "Umweltschutz".
- Der Akku darf nicht durch mechanische Krafteinwirkung oder Belastungen beschädigt oder verformt werden. Andernfalls besteht Verletzungs- und Brandgefahr.
- Laden Sie beschädigte Akkus nicht auf.
- Unter extremen Bedingungen können Akkus undicht werden. Wenn Sie feststellen, dass aus dem Akku Flüssigkeit austritt, wischen Sie diese vorsichtig mit einem Tuch ab. Vermeiden Sie Hautkontakt.
- Beachten Sie nach Haut- oder Augenkontakt die folgenden Hinweise.



Warnung! Batteriesäure kann Sach- oder Personenschäden verursachen. Spülen Sie die Säure bei Hautkontakt sofort mit Wasser ab. Suchen Sie einen Arzt auf, wenn sich auf der Haut Rötungen, Reizungen oder andere Irritationen zeigen. Spülen Sie das Auge nach Augenkontakt sofort mit sauberem Wasser aus, und suchen Sie einen Arzt auf.

Ladegeräte

Das Ladegerät ist für eine bestimmte Spannung ausgelegt. Stellen Sie sicher, dass die Netzspannung der auf dem Typenschild des Geräts angegebenen Spannung entspricht.



WARNUNG! Ersetzen Sie das Ladegerät keinesfalls durch ein normales Netzkabel.

- Verwenden Sie das Ladegerät nur für den Akku des Werkzeugs, mit dem es geliefert wurde. Andere Akkus können platzen und Sachschäden oder Verletzungen verursachen.
- Versuchen Sie keinesfalls, nicht aufladbare Batterien zu laden.
- Ist das Netzkabel beschädigt, muss es durch den Hersteller oder eine Vertragswerkstatt ausgetauscht werden, um eine mögliche Gefährdung zu vermeiden.
- Lassen Sie beschädigte Kabel sofort austauschen.
- Achten Sie darauf, dass das Ladegerät nicht mit Wasser in Berührung kommt.
- Versuchen Sie nicht, das Ladegerät zu öffnen.
- Nehmen Sie am Ladegerät keine Veränderungen vor.
- Beim Laden des Geräts/Akkus muss auf ausreichende Belüftung geachtet werden.



Das Ladegerät darf nur im Innenbereich verwendet werden.



Vor Gebrauch die Anleitung lesen.

Elektrische Sicherheit



Das Ladegerät ist schutzisoliert, daher ist keine Erdleitung erforderlich. Stellen Sie sicher, dass die Netzspannung der auf dem Typenschild des Geräts angegebenen Spannung entspricht. Ersetzen Sie das Ladegerät keinesfalls durch ein normales Netzkabel.

- ◆ Bei einer Beschädigung des Netzkabels muss dieses durch den Hersteller oder eine BLACK+DECKER Vertragswerkstatt ausgetauscht werden, um mögliche Gefahren zu vermeiden.

Merkmale

Dieses Gerät verfügt über einige oder alle der folgenden Merkmale:

1. Ein-/Ausschalter
2. Rechts-/Linkslauf-Umschalter
3. Betriebsmodusumschalter
4. Tiefenanschlag
5. Werkzeugaufnahme
6. Zusatzhandgriff
7. LED-Arbeitsleuchte
8. Akku

Montage

Verwendung



WARNUNG! Beschleunigen Sie den Arbeitsvorgang nicht mit Gewalt. Vermeiden Sie eine Überlastung.

- ◆ Akku vor der erstmaligen Verwendung vollständig aufladen.

HINWEIS: Wenn sich das Gerät während der Verwendung plötzlich abschaltet, nehmen Sie den Akku ab und laden Sie ihn vollständig auf.

HINWEIS: Wenn das Gerät nach starker Beanspruchung nicht wieder startet, lassen Sie Werkzeug und Akku abkühlen, bevor Sie die Arbeit wieder aufnehmen.

Laden der Batterie (Abb. A, B)

Der Akku muss vor der erstmaligen Benutzung sowie immer dann aufgeladen werden, wenn das Gerät nicht mehr mit voller Leistung arbeitet. Der Akku kann sich während des Aufladens erwärmen.

Das ist normal und deutet nicht auf ein Problem hin.



WARNUNG! Laden Sie den Akku nicht, wenn die Umgebungstemperatur unter 10 °C oder über 40 °C liegt. Empfohlene Ladetemperatur: ca. 24 °C.

HINWEIS: Ein Akku, bei dem die Temperatur der Akkuzellen unter ca. 10 °C oder über 40 °C liegt, wird vom Ladegerät nicht geladen.

Lassen Sie in diesem Fall den Akku im Ladegerät. Das Ladegerät beginnt automatisch mit dem Ladevorgang, sobald sich die Zellen erwärmt bzw. abgekühlt haben.

- ◆ Setzen Sie den Akku (8) zum Aufladen je nach Modell in das Tischladegerät (9) oder verbinden Sie es mit dem Universalladegerät (11). Der Akku kann nur in einer Ausrichtung in das Ladegerät eingesetzt werden.
- ◆ Verbinden Sie das Ladegerät (9) oder das Universalladegerät (11) mit einer geeigneten Stromquelle und schalten Sie es ein.
- ◆ Ein entladener Akku sollte innerhalb einer Woche wieder aufgeladen werden. Die Lebensdauer des Akkus wird erheblich reduziert, wenn dieser in entladendem Zustand aufbewahrt wird.

Einsetzen und Entfernen des Akkus (Abb. C, D)

- ◆ Richten Sie den Akku an der Aufnahme am Gerät aus, um ihn einzusetzen. Schieben Sie den Akku in die Aufnahme, bis er in der richtigen Position einrastet.
- ◆ Um den Akku zu entnehmen, drücken Sie die Entriegelungstaste (8a) und entfernen Sie den Akku aus der Aufnahme.

Anbringen des seitlichen Haltegriffs und der Tiefenbegrenzung (Abb. E)

- ◆ Drehen Sie den Griff im Uhrzeigersinn, bis Sie den seitlichen Haltegriff (6) wie dargestellt über die Vorderseite des Geräts schieben können.
- ◆ Drehen Sie den seitlichen Haltegriff in die gewünschte Position.
- ◆ Setzen Sie die Tiefenbegrenzung (4) wie dargestellt in die vorgesehene Öffnung ein.

- ◆ Bringen Sie die Tiefenbegrenzung in die gewünschte Position. Die maximale Bohrtiefe entspricht der Entfernung zwischen der Spitze des Bohreinsatzes und dem vorderen Ende der Tiefenbegrenzung.
- ◆ Achten Sie darauf, dass die Einkerbungen des Griffs (23) fest auf den Rippen am Gehäuse (22) sitzen.
- ◆ Befestigen Sie den seitlichen Haltegriff, indem Sie den Griff gegen den Uhrzeigersinn drehen.

Anbringen von Zubehör (Abb. F - G)

- ◆ Reinigen und fetten Sie den Schaft (12) des Zubehörwerkzeugs.
- ◆ Setzen Sie den Schaft in die Werkzeugaufnahme (5) ein.
- ◆ Drücken Sie das Werkzeug hinein, und drehen Sie es vorsichtig, bis es in die Kerben einrastet.
- ◆ Ziehen Sie am Werkzeug, um sich zu vergewissern, dass es ordnungsgemäß eingerastet ist. Bei der Verwendung der Hammerfunktion muss sich das Werkzeug nach Anbringen im Bohrfutter axial mehrere Zentimeter bewegen können.
- ◆ Wenn Sie das Werkzeug entfernen möchten, ziehen Sie die Hülse (13) zurück und ziehen das Werkzeug heraus.

Bohrfutter mit Schlüssel (Abb. H)

- ◆ Öffnen Sie das Bohrfutter, indem Sie die Hülse (14) gegen den Uhrzeigersinn drehen.
- ◆ Setzen Sie einen Einsatz (16) in das Bohrfutter ein.
- ◆ Setzen Sie den Bohrfutterschlüssel (17) in das Loch (15) an der Seite des Bohrfutters ein und ziehen Sie den Bohrfutterschlüssel im Uhrzeigersinn fest an.

Warnung! Prüfen Sie vor dem Bohren in Wände, Fußböden oder Decken diese Stellen auf dahinter liegende Kabel oder Rohre.

Warnung! Verwenden Sie keine Meißel, wenn sich das Gerät im Bohrmodus befindet.

Rechts-/Linkslauf-Umschalter (Abb. I)

- ◆ Stellen Sie den Umschalter (2) auf die Anzeige für die gewünschte Laufrichtung.

Ein- und Ausschalten (Abb. I)

- ◆ Um das Gerät einzuschalten, drücken Sie den Geschwindigkeitsregler (1). Die Werkzeuggeschwindigkeit hängt davon ab, wie weit Sie den Regler hineindrücken.
- ◆ Im Allgemeinen sollten Sie langsamere Geschwindigkeiten für Bohreinsätze mit großem Durchmesser und hohe Geschwindigkeiten für Bohreinsätze mit geringerem Durchmesser verwenden.
- ◆ Um das Gerät auszuschalten, lassen Sie den Geschwindigkeitsregler los.

Auswahl des Betriebsmodus (Abb. J)

Dieses Gerät kann in drei Betriebsmodi verwendet werden.

- ◆ Verwenden Sie den Betriebsmoduswähler (3), indem Sie den Verriegelungsknopf (20) drücken und den Schalter in Richtung der gewünschten Position drehen, die mithilfe der Symbole angegeben ist.

Bohren

- ◆ Wenn Sie in Stahl, Holz oder Kunststoffe bohren oder Schraubarbeiten ausführen möchten, stellen Sie den Betriebsmoduswähler (3) auf die **1** Einstellung (19).

Schlagbohren

- ◆ Stellen Sie für Schlagbohrarbeiten in Mauerwerk und Beton den Betriebsmoduswähler (3) auf die **T 1** Einstellung (18). Bei Schlagbohrarbeiten sollte das Gerät nicht rütteln, sondern gleichmäßig und ruhig laufen. Erhöhen Sie gegebenenfalls die Geschwindigkeit.

Hammerarbeiten

- ◆ Für Hammerarbeiten mit Spindelarretierung und für leichte Meißel- und Spanarbeiten stellen Sie den Betriebsmoduswähler (3) auf die **T** Position (21).
- ◆ Drehen Sie den Meißel in die gewünschte Position, wenn Sie von Schlagbohr- zu Meißelarbeiten wechseln. Wenn der Betriebsmoduswähler blockiert, drehen Sie vorsichtig den Meißel, sodass die Spindelarretierung einrastet.

Zubehör

Das verwendete Zubehör hat wesentlichen Einfluss auf die Leistung des Geräts. Zubehörteile von Stanley BLACK+DECKER erfüllen höchste Qualitätsstandards und wurden speziell für die Verwendung mit Ihrem Gerät entwickelt. Bei Verwendung dieses Zubehörs erhalten Sie stets optimale Ergebnisse.

Wartung

Ihr BLACK+DECKER Gerät (mit und ohne Netzkabel) wurde im Hinblick auf eine lange Lebensdauer und einen möglichst geringen Wartungsaufwand entwickelt. Ein kontinuierlicher, zufriedenstellender Betrieb hängt von der richtigen Pflege des Gerätes und seiner regelmäßigen Reinigung ab.



WARNUNG! Vor Wartungs- oder Reinigungsarbeiten an Elektrowerkzeugen mit/ohne Kabel:

- ◆ Schalten Sie das Gerät aus, und ziehen Sie den Netzstecker.
- ◆ Wenn das Gerät über einen separaten Batteriepack oder Akku verfügt, schalten Sie das Gerät ab, und entnehmen Sie die Batterien aus dem Gerät.
- ◆ Wenn der Akku integriert ist, entladen Sie diesen vor dem Abschalten vollständig.
- ◆ Ziehen Sie das Ladegerät aus der Netzsteckdose, bevor

Sie es reinigen. Das Ladegerät benötigt keine Wartung, es sollte jedoch regelmäßig gereinigt werden.

- ◆ Reinigen Sie regelmäßig die Lüftungsschlitze des Geräts und des Ladegeräts mit einer weichen Bürste oder einem trockenen Tuch.
- ◆ Reinigen Sie das Motorgehäuse regelmäßig mit einem feuchten Tuch. Verwenden Sie keine scheuernden Reinigungsmittel oder Reinigungsmittel auf Lösungsmittelbasis.
- ◆ Öffnen Sie regelmäßig das Spannfutter, und entfernen Sie durch Klopfen ggf. Staub aus dem Inneren des Geräts.

Umweltschutz



Getrennte Entsorgung. Produkte und Akkus mit diesem Symbol dürfen nicht mit dem normalen Hausmüll entsorgt werden.

Produkte und Akkus enthalten Materialien, die wiederverwertet werden können, um den Bedarf an Rohstoffen zu verringern. Bitte recyceln Sie elektrische Produkte und Akkus gemäß den örtlichen Bestimmungen. Weitere Informationen finden Sie auf www.2helpU.com

Technische Daten

		BCD900D1S / D1K	BCD900E2K	BCD900M1K	BCD900B
Eingangsspannung	V _{DC}	18	18	18	18
Leerlaufdrehzahl	min ⁻¹	0 - 1800	0 - 1800	0 - 1800	0 - 1800
Schlagzahl	min ⁻¹	0 - 6350	0 - 6350	0 - 6350	0 - 6350
Gewicht	kg	2,60	2,60	2,87	2,22
Maximale Bohrtiefe					
Beton	mm	18	18	18	18
Stahl	mm	13	13	13	13
Holz	mm	25	25	25	25
Akku		BL2018	BL2518	BL4018	Nicht im Lieferumfang enthalten
Spannung	V _{DC}	18	18	18	
Kapazität	Ah	2,0	2,5	4,0	
Typ		Li-Ionen	Li-Ionen	Li-Ionen	

Ladegerät			
Eingangsspannung	V _{AC}	220 - 240	230
Ausgangsspannung	V _{DC}	8 - 20	18
Stromstärke	A	1,0	2,0
Geschätzte Ladedauer	Stunde	2 - 4 h	1 - 2 h

Garantie

Black & Decker vertraut auf die Qualität der eigenen Geräte und bietet dem Käufer eine außergewöhnliche Garantie von 24 Monaten ab Kaufdatum. Diese Garantie versteht sich unbeschadet der gesetzlichen Gewährleistungsansprüche und schränkt diese keinesfalls ein. Die Garantie gilt innerhalb der Gebiete der Mitgliedstaaten der Europäischen Union, der Europäischen Freihandelszone und des Vereinigten Königreichs. Zur Inanspruchnahme dieser Garantie muss sie den allgemeinen Geschäftsbedingungen von Black & Decker entsprechen und dem Verkäufer bzw. der Vertragswerkstatt ist ein Kaufnachweis vorzulegen. Die Bedingungen für die 2-jährige Garantie von Black & Decker und den Standort Ihrer nächstgelegenen Vertragswerkstatt finden Sie im Internet unter www.2helpU.com oder indem Sie sich an die lokale Black & Decker-Niederlassung wenden, deren Adresse Sie in dieser Anleitung finden. Ihr neues Black & Decker Produkt können Sie auf unserer Website unter www.blackanddecker.de registrieren. Dort erhalten Sie auch Informationen über neue Produkte und Sonderangebote.

Angegebene zweistellige Geräuschemissionswerte gemäß ISO 4871.	
Gemessener A-bewerteter Schalleistungspegel, L_{WA} (Ref. 1pW), in Dezibel = 100 dB(A) Unsicherheitsfaktor, K_{WA} , in Dezibel = 3 dB(A)	
Gemessener A-bewerteter Schalleistungspegel an der Arbeitsstation, L_{pA} (Ref. 20 μ PA), in Dezibel = 92 dB(A) Unsicherheitsfaktor, K_{pA} , in Dezibel = 3 dB(A)	
Werte ermittelt nach Geräuschprüfcode angegeben in EN62841-1:2015+AC:2015+A11:2022, unter Verwendung der grundlegenden Normen EN62841-2-6:2020+A11:2020	
HINWEIS - Die Summe aus einem gemessenen Geräuschemissionswert und dem damit verbundenen Unsicherheitsfaktor stellt eine Obergrenze des Wertebereichs dar, der bei Messungen wahrscheinlich auftritt.	

Gesamtvibration (Triax-Vektorsumme), ermittelt nach EN 62841		
	Beschreibung des Arbeitsmodus 'Schlagbohren in Beton'	Beschreibung des Arbeitsmodus 'Meißeln'
Vibrationsemissionswert a_h	14,8 m/s ²	18,4 m/s ²
Unsicherheitsfaktor K	1,5 m/s ²	1,5 m/s ²
Werte ermittelt gemäß EN62841-1:2015+AC:2015+A11:2022 und EN62841-2-6:2020+A11:2020		

EU-Konformitätserklärung
MASCHINENRICHTLINIE



BCD900 Bohrhammer

Black & Decker erklärt, dass die in den technischen Daten beschriebenen Geräte übereinstimmen mit:
EN62841-1:2015+AC:2015+A11:2022,
EN62841-2-6:2020+A11:2020

Diese Produkte entsprechen außerdem den Richtlinien 2006/42/EC, 2014/30/EU und 2011/65/EU. Weitere Informationen erhalten Sie von Black & Decker unter der folgenden Adresse. Diese befindet sich auch auf der Rückseite dieser Anleitung.

Der Unterzeichnete ist verantwortlich für die Zusammenstellung der technischen Daten und gibt diese Erklärung im Namen von Black & Decker ab.

Patrick Diepenbach

Patrick Diepenbach
Hauptgeschäftsführer, Benelux
Black and Decker, 2800 Mechelen,
Belien
30/12/2022

Utilisation prévue

Votre perforateur BLACK+DECKER BCD 900 a été conçu pour percer le bois, le métal, le plastique et la maçonnerie, comme pour le vissage. Cet outil est destiné à l'usage du consommateur uniquement.

Consignes de sécurité

Avertissements de sécurité générale propres aux outils électriques



AVERTISSEMENT ! Veuillez lire tous les avertissements de sécurité, toutes les instructions, toutes les illustrations et toutes les spécifications fournies avec cet outil électrique. Le non-respect des avertissements et des instructions listés ci-dessous peut entraîner des décharges électriques, des incendies et/ou de graves blessures.

Conservez tous les avertissements et toutes les instructions afin de pouvoir vous y référer dans le futur. Le terme "outil électrique" mentionné dans tous les avertissements listés ci-dessous fait référence à vos outils électriques branchés sur secteur (avec câble) ou fonctionnant sur pile ou batterie (sans fil).

1. Sécurité de la zone de travail

- a. **Maintenez la zone de travail propre et bien éclairée.**
Les zones sombres ou encombrées sont propices aux accidents.
- b. **N'utilisez pas d'outils électriques dans un environnement présentant des risques d'explosion ou en présence de liquides, gaz ou poussières inflammables.** Les outils électriques créent des étincelles qui peuvent enflammer les poussières et les fumées.
- c. **Maintenez les enfants et les autres personnes à l'écart quand vous utilisez un outil électrique.** Toute distraction peut vous faire perdre le contrôle de l'outil.

2. Sécurité électrique

- a. **Les prises des outils électriques doivent correspondre à la prise de courant murale. Ne modifiez jamais la prise d'aucune sorte.**
N'utilisez aucun adaptateur avec des outils électriques reliés à la terre. L'utilisation de prises d'origine et de prises murales appropriées permet de réduire le risque de décharge électrique.
- b. **Évitez tout contact physique avec des surfaces reliées à la terre comme des tuyaux, des radiateurs, des fours et des réfrigérateurs par exemple.** Il y a sinon un risque accru de décharge électrique si votre corps est lui-même relié à la terre.
- c. **N'exposez pas les outils électriques à la pluie, ni à l'humidité.** Le risque de décharge électrique augmente si de l'eau pénètre dans un outil électrique.
- d. **Ne tirez pas sur le cordon d'alimentation. N'utilisez jamais le cordon pour transporter, tirer ou débrancher l'outil électrique.** Maintenez le cordon éloigné de la chaleur, des substances grasses, des bords tranchants ou des pièces mobiles. Les cordons endommagés ou emmêlés augmentent le risque de décharge électrique.
- e. **Si vous utilisez un outil électrique à l'extérieur, utilisez une rallonge homologuée pour les travaux extérieurs.** L'utilisation d'une rallonge électrique homologuée pour les travaux en extérieur réduit le risque de décharge électrique.
- f. **Si l'utilisation d'un outil électrique dans un endroit humide est inévitable, utilisez une alimentation électrique protégée par un disjoncteur différentiel à courant résiduel.**
L'utilisation d'un disjoncteur différentiel réduit le risque de décharge électrique.

3. Sécurité des personnes

- a. **Restez vigilant, surveillez ce que vous faites et faites preuve de bon sens lorsque vous utilisez un outil électrique.**
N'utilisez pas d'outils électriques si vous êtes fatigué

ou sous l'influence de drogue, d'alcool ou de médicaments. Tout moment d'inattention pendant l'utilisation d'un outil électrique peut engendrer de graves blessures.

- b. **Portez des équipements de protection individuelle. Portez toujours une protection oculaire.** Les équipements de protection comme les masques à poussière, les chaussures de sécurité antidérapantes, les casques ou les protections auditives, utilisés à bon escient, réduisent le risque de blessures.
 - c. **Empêchez tout démarrage intempestif. Assurez-vous que l'interrupteur est en position Arrêt avant de raccorder l'outil à l'alimentation électrique et/ou au bloc-batterie ou avant de ramasser ou de transporter l'outil.** Le fait de transporter les outils électriques le doigt sur l'interrupteur ou d'alimenter les outils électriques dont l'interrupteur est déjà en position de marche augmente le risque d'accidents.
 - d. **Retirez toutes les clés ou pinces de réglage avant de mettre l'outil en marche.** Une clé ou une pince restée fixée sur une pièce rotative de l'outil électrique peut engendrer des blessures.
 - e. **Ne vous penchez pas. Gardez les pieds bien ancrés au sol et conservez votre équilibre en permanence.** Cela permet de mieux maîtriser l'outil électrique en cas de situations imprévues.
 - f. **Habilitez-vous correctement. Ne portez pas de vêtements amples ni de bijoux. Gardez vos cheveux et vos vêtements éloignés des pièces mobiles.** Les vêtements amples, les bijoux ou les cheveux longs peuvent être happés par les pièces mobiles.
 - g. **Si des dispositifs pour le raccordement d'un extracteur de poussières ou des installations pour la récupération sont présents, assurez-vous qu'ils sont correctement raccordés et utilisés.** L'utilisation de dispositifs récupérateurs de poussières réduit les risques liés aux poussières.
 - h. **Ne pensez pas être familiarisé avec l'outil après l'avoir utilisé à de nombreuses reprises, au point de ne plus rester vigilant et d'en oublier les consignes de sécurité.** Toute action imprudente peut engendrer de graves blessures en une fraction de seconde.
- ### 4. Utilisation et entretien d'un outil électrique
- a. **Respectez la capacité de l'outil. Utilisez un outil approprié, adapté au travail à réaliser.**
Un outil adapté fonctionne mieux, de façon plus sûre et à la cadence pour laquelle il a été conçu.
 - b. **N'utilisez pas l'outil électrique si son interrupteur ne permet pas de l'allumer ou de l'éteindre.** Tout outil électrique qui ne peut plus être commandé par son interrupteur est dangereux et doit être réparé.
 - c. **Débranchez la fiche de la source d'alimentation et/ou**

retirez la batterie, si elle est amovible, de l'outil électrique avant d'effectuer des réglages, de changer d'accessoires ou de ranger les outils électriques. Ces mesures de sécurité préventives réduisent le risque de démarrage accidentel de l'outil électrique.

- d. **Rangez les outils électriques non utilisés hors de portée des enfants et ne laissez aucune personne ne connaissant pas ces outils ou leurs instructions d'utilisation les faire fonctionner.**

Les outils électriques peuvent être dangereux entre des mains inexpérimentées.

- e. **Entretenez vos outils électriques et leurs accessoires. Vérifiez que les pièces mobiles sont alignées correctement et qu'elles ne sont pas coincées.**

Vérifiez qu'aucune pièce n'est cassée et contrôlez l'absence de toute autre condition qui pourrait nuire au bon fonctionnement de l'outil. En cas de dommage, faites réparer l'outil électrique avant de le réutiliser. De nombreux accidents sont provoqués par des outils électriques mal entretenus.

- f. **Maintenez les organes de coupe affûtés et propres.** Des organes de coupe bien entretenus et bien affûtés sont moins susceptibles de rester coincés et ils sont plus faciles à contrôler.

- g. **Utilisez l'outil électrique, les accessoires et les embouts d'outils conformément à ces instructions, en tenant compte des conditions de travail et de la tâche à effectuer.**

L'utilisation d'un outil électrique à des fins autres que celles pour lesquelles il a été prévu engendre des situations dangereuses.

- h. **Veillez à ce que les poignées et les surfaces de préhension soient sèches et propres, sans trace d'huile ou de graisse. Des poignées et des surfaces de préhension glissantes ne permettent pas de manipuler et de contrôler l'outil correctement en cas de situations inattendues.**

5. **Utiliser et entretenir les outils fonctionnant sur batterie**

- a. **N'effectuez la recharge qu'à l'aide du chargeur spécifié par le fabricant.**

Un chargeur adapté pour un type de bloc-batterie peut engendrer un risque d'incendie s'il est utilisé avec un bloc-batterie différent.

- b. **N'utilisez les outils électriques qu'avec les blocs-batteries qui leur sont dédiés.** L'utilisation d'autres blocs-batteries peut créer un risque de blessures et d'incendie.

- c. **Lorsque le bloc-batterie n'est pas utilisé, éloignez-le des objets en métal comme les trombones, les pièces de monnaies, les clés, les clous, les vis ou d'autres petits objets métalliques qui pourraient créer une**

liaison entre les deux bornes. La mise en court-circuit des bornes d'une batterie peut provoquer des brûlures ou un incendie.

- d. **En cas d'utilisation abusive, du liquide peut être éjecté de la batterie. Évitez tout contact avec ce liquide. En cas de contact accidentel, rincez à l'eau. En cas de contact avec les yeux, consultez en plus un médecin.** Le liquide sortant de la batterie peut provoquer des irritations ou des brûlures.

6. Révision/réparation

- a. **Ne faites réviser/réparer votre outil électrique que par un réparateur qualifié qui n'utilise que des pièces de rechange d'origine.**

Cela permet de garantir la sûreté de l'outil électrique.

Avertissements de sécurité du marteau



AVERTISSEMENT ! Consignes de sécurité pour toutes les opérations.

- ◆ **Porter des protections auditives.** L'exposition au bruit peut provoquer la perte de l'ouïe.
- ◆ **Utilisez des poignées auxiliaires, si elles sont fournies avec l'outil.** La perte de contrôle peut provoquer des blessures.
- ◆ **Tenez l'outil électrique par les surfaces de préhension isolées, lors de l'exécution d'une opération où la coupe l'accessoire et les attaches peuvent entrer en contact avec un câblage caché ou son propre cordon.** Tout contact de l'accessoire de coupe avec un fil sous tension peut mettre les parties métalliques exposées de l'outil sous tension et provoquer une décharge électrique à l'utilisateur.
- ◆ **Tenez correctement l'outil avant de l'utiliser.** Cet outil génère un couple élevé et s'il n'est pas correctement tenu, une perte de contrôle pouvant provoquer des blessures est possible.

Consignes de sécurité lors de l'utilisation de forets longs avec des marteaux perforateurs

- ◆ **Commencez toujours à percer à basse vitesse et avec la pointe du foret en contact avec la pièce.** À grande vitesse, la mèche peut plier si elle tourne dans le vide, sans être en contact avec l'ouvrage et des blessures sont possibles.
- ◆ **Commencez toujours à percer à faible vitesse alors que la pointe de la mèche est en contact avec l'ouvrage.** À grande vitesse, la mèche peut plier si elle tourne dans le vide, sans être en contact avec l'ouvrage et des blessures sont possibles.
- ◆ **N'exercez qu'une faible pression en ligne directe avec la mèche.** Les mèches peuvent plier et casser ce qui peut

provoquer une perte de contrôle et des blessures.

- ◆ **N'utilisez jamais de burin en mode rotatif.** L'accessoire pourrait se tordre à l'intérieur de la matière et faire tourner la perceuse.
- ◆ **Utilisez des pinces ou tout autre moyen pratique pour fixer et soutenir l'ouvrage sur une plateforme stable.** Tenir l'ouvrage à la main ou contre votre corps le rend instable et peut conduire à une perte de contrôle.
- ◆ Avant de percer les murs, les planchers ou les plafonds, vérifiez l'emplacement des éventuels câbles et tuyaux.
- ◆ Évitez de toucher le bout d'un foret ou d'une mèche juste après avoir percé. Ils peuvent être très chauds.
- ◆ L'utilisation prévue est décrite dans ce manuel d'utilisation. L'utilisation d'un accessoire ou d'un équipement non spécifié ou l'utilisation de cet outil à d'autres fins que celles recommandées dans ce manuel d'utilisation présentent un risque de blessures et/ou de dommages matériels.
- ◆ Utilisez un masque anti-poussière dès que le travail est source de poussière ou de projection de débris.

Sécurité des personnes

- ◆ Cet appareil n'est pas prévu pour être utilisé par des personnes (y compris des enfants) ayant des capacités physiques, sensorielles ou mentales réduites ou qui manquent d'expérience et de connaissances, sauf si elles sont supervisées ou formées à l'utilisation de l'appareil par une personne responsable de leur sécurité.
- ◆ Les enfants doivent être surveillés afin de garantir qu'ils ne jouent pas avec l'appareil.

Risques résiduels.

Certains risques résiduels autres que ceux mentionnés dans les avertissements sur la sécurité peuvent survenir en utilisant l'outil. Ces risques peuvent être provoqués par une utilisation incorrecte, prolongée, etc.

Malgré l'application des normes de sécurité pertinentes et la mise en œuvre de dispositifs de sécurité, certains risques résiduels ne peuvent pas être évités. Ils comprennent :

- ◆ Les blessures dues au contact avec des pièces mobiles/ en rotation.
- ◆ Les blessures dues au changement de pièces, de lame ou d'accessoires.
- ◆ Les blessures dues à l'utilisation prolongée d'un outil. Lorsque vous utilisez un outil quel qu'il soit pendant de longues périodes, assurez-vous de faire des pauses régulières.
- ◆ Troubles de l'ouïe.
- ◆ Risques pour la santé dus à l'inhalation de poussières produites pendant l'utilisation de l'outil (exemple : travail avec du bois, surtout le chêne, le hêtre et les panneaux en MDF)

Vibrations

La valeur des émissions de vibrations déclarée dans la section Caractéristiques techniques et la déclaration de conformité a été mesurée selon une méthode de test standard fournie par la norme EN62841 et peut être utilisée pour comparer un outil à un autre. La valeur des vibrations émises déclarée peut aussi être utilisée pour une évaluation préliminaire à l'exposition.

Avertissement ! En fonction de la manière dont l'outil est utilisé, la valeur réelle des vibrations émises pendant son utilisation peut différer de la valeur déclarée. Le niveau des vibrations peut dépasser le niveau déclaré.

Quand l'exposition aux vibrations est évaluée afin de déterminer les mesures de sécurité, l'estimation doit tenir compte des conditions réelles d'utilisation et de la façon dont l'outil est utilisé. Il faut également tenir compte de toutes les composantes du cycle de fonctionnement comme la durée pendant laquelle l'outil est arrêté et quand il fonctionne au ralenti, ainsi que la durée du déclenchement.

Étiquettes apposées sur l'outil

Les pictogrammes qui suivent figurent sur l'outil avec le code date :



AVERTISSEMENT ! Afin de réduire le risque de blessures, l'utilisateur doit lire le manuel d'utilisation.



Portez des protections auditives avec les marteaux rotatifs. L'exposition au bruit peut engendrer la perte de l'ouïe



Ne regardez pas directement la lampe allumée

Consignes de sécurité supplémentaires propres aux batteries et chargeurs

Batteries

- Ne tentez de les ouvrir sous aucun prétexte.
- N'exposez pas la batterie à l'eau.
- N'exposez pas la batterie à la chaleur.
- Ne la rangez pas dans des endroits où la température peut dépasser 40 °C.
- Ne procédez à la charge qu'à une température ambiante comprise entre 10 °C et 40 °C.
- Ne procédez à la charge qu'avec le chargeur fourni avec l'appareil/outil.
- Au moment de jeter les batteries, respectez les instructions mentionnées à la section "Protection de l'environnement".

- Ne déformez/n'endommagez pas le bloc-batterie en le perçant ou en le cognant, ceci pourrait entraîner des blessures et un incendie.
- Ne rechargez pas des batteries endommagées.
- Dans des conditions extrêmes, une batterie peut fuir. Si vous détectez une fuite, utilisez un chiffon pour essuyer le liquide avec précaution. Évitez tout contact avec la peau.
- En cas de contact avec la peau ou les yeux, suivez les instructions ci-dessous.



AVERTISSEMENT ! Le liquide de la batterie peut provoquer des blessures ou des dégâts matériels. En cas de contact avec la peau, rincez immédiatement à l'eau. Si des rougeurs, une douleur ou une irritation se produisent, consultez un médecin. En cas de contact avec les yeux, rincez immédiatement à l'eau et consultez un médecin.

Chargeurs

Votre chargeur a été conçu pour une tension spécifique. Vérifiez toujours que la tension du réseau électrique correspond à la tension figurant sur la plaque signalétique.



AVERTISSEMENT ! N'essayez jamais de remplacer le module de charge par une prise de courant ordinaire.

- N'utilisez votre chargeur que pour recharger la batterie fournie avec l'outil. D'autres batteries pourraient exploser et provoquer des blessures et des dommages.
- Ne tentez jamais de recharger des piles non rechargeables.
- Si le câble d'alimentation est endommagé, il doit être remplacé par le fabricant ou par un centre d'assistance agréé afin d'éviter les risques éventuels.
- Faites immédiatement remplacer les cordons endommagés.
- N'exposez pas le chargeur à l'eau.
- N'ouvrez pas le chargeur.
- Ne sondez pas le chargeur.
- Pendant la charge, placez l'appareil/l'outil/la batterie dans un endroit correctement aéré.



Le chargeur est conçu pour être exclusivement utilisé à l'intérieur.



Lisez le manuel d'utilisation avant de l'utiliser.

Sécurité électrique



Votre chargeur dispose d'une double isolation, aucune liaison à la terre n'est donc nécessaire. Vérifiez toujours que la tension du réseau électrique correspond à la tension figurant sur la plaque signalétique. N'essayez jamais de remplacer le module de charge par une prise secteur ordinaire.

- ◆ Si le câble d'alimentation est endommagé, il doit être remplacé par le fabricant ou par un centre d'assistance BLACK+DECKER agréé afin d'éviter tout accident

Caractéristiques

Cet outil dispose de tout ou partie des éléments suivants.

1. Interrupteur Marche/Arrêt
2. Sélecteur du sens de rotation
3. Sélecteur du mode de perçage
4. Butée de profondeur
5. Porte-outil
6. Poignée latérale
7. Éclairage de travail à LED
8. Batterie

Assemblage

Utilisation



AVERTISSEMENT ! Laissez l'outil fonctionner à son propre rythme. Ne le poussez pas au-delà de sa capacité.

- ◆ Rechargez complètement la batterie avant la première utilisation.

REMARQUE : Si l'outil s'arrête soudainement, retirez le bloc-batterie et placez-le dans le chargeur pour le recharger complètement.

REMARQUE : Si l'outil ne redémarre pas après une utilisation intensive, laissez refroidir l'outil et le bloc-batterie avant de reprendre le travail.

Charger la batterie (Fig. A, B)

La batterie doit être rechargée avant la première utilisation et chaque fois qu'elle n'apporte plus assez de puissance pour les travaux réalisés sans peine auparavant. La batterie peut chauffer pendant la charge. Ce phénomène est normal et n'indique pas un problème.

Avertissement ! Ne rechargez pas la batterie à une température ambiante inférieure à 10 °C ou supérieure à 40 °C. La température recommandée est d'environ 24 °C.

Remarque : Le chargeur ne recharge pas la batterie si la température de la cellule est inférieure à environ 10°C ou supérieure à 40°C.

La batterie doit rester dans le chargeur qui démarre automatiquement la charge quand la **température** de la cellule s'est réchauffée ou refroidie.

- ◆ Pour recharger la batterie (8), insérez-la dans le chargeur à poser (9) ou le réceptacle de charge (11) en fonction du modèle. Il n'y a qu'un seul sens d'insertion de la batterie dans le chargeur.
- ◆ Branchez le chargeur à poser (9) ou le réceptacle de charge (11) à une source d'alimentation électrique adaptée et allumez-le.
- ◆ Rechargez les batteries déchargées dans un délai d'une

semaine. La durée de vie de la batterie est considérablement diminuée si elle est stockée déchargée.

Installer et retirer la batterie (Fig. C, D)

- ◆ Pour installer la batterie, alignez-la dans le compartiment dans l'outil. Glissez la batterie dans le compartiment et poussez-la jusqu'à ce qu'elle se bloque en place.
- ◆ Pour retirer la batterie, enfoncez le bouton de libération (8a) et retirez la batterie du réceptacle.

Installer la poignée latérale et de la butée de profondeur (Fig. E)

- ◆ Tournez le grip dans le sens des aiguilles d'une montre jusqu'à ce que la poignée latérale (6) puisse glisser sur l'avant de l'outil, comme illustré.
- ◆ Tournez la poignée latérale dans la position désirée.
- ◆ Insérez la butée de profondeur (4) dans l'orifice de montage, comme illustré.
- ◆ Réglez la butée de profondeur à la position voulue. La profondeur de perçage maximale est égale à la distance entre le bout du foret et l'extrémité avant de la butée de profondeur.
- ◆ Veillez à ce que les ergots de la poignée (23) soient bien bloqués dans les rainures sur le boîtier (22).
- ◆ Serrez la poignée latérale en tournant le grip dans le sens inverse des aiguilles d'une montre.

Installer un accessoire (Fig. F - G)

- ◆ Nettoyez et graissez la tige (12) de l'accessoire.
- ◆ Insérez la tige de la porte-outil (5).
- ◆ Poussez l'accessoire et tournez-le légèrement jusqu'à ce qu'il entre dans les fentes.
- ◆ Tirez sur l'accessoire pour vérifier sa fixation. La fonction Martelage nécessite que l'accessoire puisse se déplacer de plusieurs centimètres sur son axe lorsqu'il est fixé sur le porte-outil.
- ◆ Pour retirer l'accessoire, tirez le fourreau en arrière (13) et sortez l'accessoire.

Mandrin à clé (Fig. H)

- ◆ Ouvrez le mandrin en tournant le manchon (14) dans le sens inverse des aiguilles d'une montre.
- ◆ Insérez la tige de l'embout (16) dans le mandrin.
- ◆ Insérez la clé du mandrin (17) dans le trou (15) sur le côté du mandrin et tournez dans le sens des aiguilles d'une montre jusqu'à ce qu'il soit serré.



AVERTISSEMENT ! Avant de percer les murs, les planchers ou les plafonds, vérifiez l'emplacement des fils électriques et des canalisations.



AVERTISSEMENT ! N'utilisez pas de burin quand l'outil est en mode de perçage.

Sens de rotation Avant/Arrière (Fig. I)

- ◆ Déplacez le sélecteur (2) pour indiquer le sens que vous souhaitez.

Mise en marche et extinction (Fig. I)

- ◆ Pour mettre l'outil en marche, appuyez sur l'interrupteur variateur de vitesse (1). La vitesse de l'outil dépend du degré d'enfoncement de l'interrupteur.
- ◆ De façon générale, utilisez les vitesses lentes avec les forets à large diamètre et les vitesses plus rapides avec les forets de plus petit diamètre.
- ◆ Pour arrêter l'outil, relâchez l'interrupteur variateur de vitesse.

Sélectionner le mode de fonctionnement (Fig. J)

L'outil peut être utilisé dans trois modes de fonctionnement différent.

- ◆ Pour utiliser le sélecteur de mode de fonctionnement (3), enfoncez le bouton de déverrouillage (20) et tournez le sélecteur dans la position requise, comme indiqué par les symboles.

Perçage

- ◆ Pour percer l'acier, le bois et les plastiques ainsi que pour visser, réglez le sélecteur de mode de fonctionnement (3) sur la position **1** (19).

Perçage à percussion

- ◆ Pour percer la pierre et le béton, réglez le sélecteur de mode de fonctionnement (3) sur la position **T 1** (18). Pour le martelage, l'outil ne doit pas rebondir et il doit fonctionner de façon fluide. Si nécessaire, augmentez la vitesse.

Martelage

- ◆ Pour le martelage avec l'axe verrouillé ainsi que pour les petites interventions de burinage et de ciselage, réglez le sélecteur de mode de fonctionnement (3) sur la position **T** (21).
- ◆ Pour passer du mode Perçage à percussion au mode Burinage, tournez le burin dans la position désirée. Si une résistance se fait ressentir pendant le changement de mode, tournez légèrement le burin pour enclencher le verrouillage de l'axe.

Accessoires

Les performances de votre outil dépendent de l'accessoire utilisé. Les accessoires Stanley BLACK+DECKER sont élaborés selon des normes de qualité supérieures et ils sont conçus pour améliorer les performances de votre outil. L'utilisation de ces accessoires vous permet de tirer pleinement profit de votre outil.

Maintenance

Votre appareil/outil sans fil/avec fil BLACK+DECKER a été conçu pour fonctionner longtemps avec un minimum

d'entretien. Le fonctionnement continu et satisfaisant de l'outil dépend de son bon entretien et de son nettoyage régulier.



AVERTISSEMENT ! Avant de réaliser toute opération de maintenance sur un outil électrique avec câble/ sans fil :

- ◆ Éteignez l'appareil/outil, puis débranchez-le.
- ◆ Ou, éteignez l'appareil/outil et retirez-en la batterie s'il est muni d'un bloc-batterie séparé.
- ◆ Ou déchargez complètement la batterie si elle est intégrée, puis éteignez l'appareil/outil.
- ◆ Débranchez le chargeur avant de le nettoyer. Votre chargeur ne nécessite aucun entretien particulier, à l'exception d'un nettoyage régulier.
- ◆ Nettoyez régulièrement les orifices d'aération de votre appareil/outil/chargeur à l'aide d'une brosse souple ou d'un chiffon sec.
- ◆ Nettoyez régulièrement le bloc-moteur à l'aide d'un chiffon humide. N'utilisez pas de détergents abrasifs ou à base de solvants.
- ◆ Ouvrez régulièrement le mandrin et retirez la poussière à l'intérieur en le tapant (si installé).

Protection de l'environnement



Tri sélectif. Les produits et batteries marqués de ce symbole ne doivent pas être jetés avec les déchets ménagers.

Les produits et batteries contiennent des matières qui peuvent être récupérées et recyclées afin de réduire la demande en matières premières.

Veillez à recycler les produits électriques et les batteries/piles conformément aux prescriptions locales en vigueur. Pour plus d'informations, consultez le site www.2helpU.com

Caractéristiques techniques

		BCD900D1S / D1K	BCD900E2K	BCD900M1K	BCD900B
Tension d'entrée	V_{cc}	18	18	18	18
Vitesse à vide	min ⁻¹	0 - 1800	0 - 1800	0 - 1800	0 - 1800
Cadence de l'impact	min ⁻¹	0 - 6350	0 - 6350	0 - 6350	0 - 6350
Poids	kg	2,60	2,60	2,87	2,22
Capacité maxi de perçage					
Béton	mm	18	18	18	18
Acier	mm	13	13	13	13
Bois	mm	25	25	25	25
Batterie		BL2018	BL2518	BL4018	Non fournie
Tension	V_{cc}	18	18	18	
Capacité	Ah	2,0	2,5	4,0	
type		Li-Ion	Li-Ion	Li-Ion	

Chargeur			
Tension d'entrée	V_{ac}	220 - 240	230
Tension de sortie	V_{dc}	8 - 20	18
Courant	A	1,0	2,0
Durée de charge approximative	heure	2 - 4 h	1 - 2 h

Valeurs à deux chiffres de l'émission sonore selon la norme ISO 4871	
Niveau de puissance sonore pondérée L_{WA} mesurée ($\text{réf.} 1 \text{ pW}$), en décibels = 100 dB(A) Incertitude, K_{WA} en décibels = 3 dB(A)	
Niveau de puissance sonore pondérée L_{PA} mesurée au poste de travail, ($\text{réf.} 20 \mu\text{PA}$), en décibels = 92 dB(A) Incertitude, K_{PA} en décibels = 3 dB(A)	
Valeurs définies selon le code d'essai sonore fourni par la norme EN62841-1:2015+AC:2015+A11:2022, à l'aide des standards de base de la norme EN62841-2-6:2020+A11:2020	
REMARQUE - La somme d'une valeur sonore émise mesurée et de l'incertitude qui lui est associée représente la limite haute de la plage des valeurs, susceptibles de se produire pendant les mesures	

Valeurs totales des vibrations (somme vectorielle triaxiale) déterminées selon la norme EN 62841		
	Mode de fonctionnement "Perçage à percussion dans le béton"	Mode de fonctionnement "Burinage"
Valeur des vibrations émises a_n	14,8 m/s ²	18,4 m/s ²
Incertitude K	1,5 m/s ²	1,5 m/s ²
Valeurs définies selon la norme EN62841-1:2015+AC:2015+A11:2022 et EN62841-2-6:2020+A11:2020		

Déclaration de conformité CE

DIRECTIVES MACHINES



BCD900 Perceuse à percussion

Black & Decker déclare que les produits décrits dans les "Caractéristiques techniques" sont conformes aux normes : EN62841-1:2015+AC:2015+A11:2022, EN62841-2-6:2020+A11:2020.

Ces produits sont également conformes aux Directives 2006/42/CE, 2014/30/UE et 2011/65/UE. Pour plus de précisions, veuillez contacter Black & Decker à l'adresse qui suit ou consulter la dernière page du présent manuel.

Le soussigné est responsable de la compilation du dossier technique et il fait cette déclaration au nom de Black & Decker.

Patrick Diepenbach

Patrick Diepenbach
Directeur général, Benelux
Black and Decker, 2800 Mechelen,
Belgique
30/12/2022

Garantie

Black & Decker est sûr de la qualité de ses produits et offre une garantie de 24 mois aux utilisateurs, à partir de la date d'achat. Cette garantie s'ajoute à vos droits légaux auxquels elle ne porte aucunement préjudice. La garantie est valable sur les territoires des États membres de l'Union européenne, de la zone européenne de libre-échange et du Royaume-Uni.

Pour prétendre à la garantie, la réclamation doit être en conformité avec les conditions générales de Black & Decker et vous devez fournir une preuve d'achat au vendeur ou au réparateur agréé. Les conditions générales de la garantie de 2 ans Black & Decker ainsi que l'adresse du réparateur agréée le plus proche sont disponibles sur le site Internet www.2helpU.com ou en contactant votre agence Black & Decker locale à l'adresse indiquée dans ce manuel.

Veuillez consulter notre site Internet www.blackanddecker.co.uk pour enregistrer votre nouveau produit Black & Decker et pour être tenu informé des nouveaux produits et offres spéciales.

(Traduzione del testo originale)

ITALIANO

Uso previsto

Il vostro martello perforatore BLACK+DECKER BCD 900 è stato progettato per la perforazione di legno, metallo, plastica e muratura, nonché per l'avvitamento. Questo strumento è destinato esclusivamente all'uso da parte dei consumatori.

Istruzioni di sicurezza

Avvertenze generali di sicurezza per gli elettrotensili



AVVERTENZA! Leggere attentamente tutte le avvertenze, istruzioni, illustrazioni e specifiche fornite con l'elettrotensile. La mancata osservanza di tutte le istruzioni elencate di seguito può causare scosse elettriche, incendi e/o lesioni gravi.

Conservare tutte le avvertenze e le istruzioni per riferimenti futuri. Il termine "utensile elettrico" nelle avvertenze si riferisce all'utensile elettrico azionato dalla rete (con cavo) o all'utensile elettrico a batteria (senza fili).

1. Sicurezza dell'area di lavoro

- Mantenere l'area di lavoro pulita e bene illuminata.** Gli ambienti disordinati o scarsamente illuminati favoriscono gli incidenti.

- Non azionare gli elettrotensili in ambienti esposti al rischio di esplosione, ad esempio in presenza di liquidi, gas o polveri infiammabili.** Gli elettrotensili creano scintille che possono incendiare le polveri o i fumi.
- Tenere lontani bambini e altre persone presenti mentre si usa un elettrotensile.** Le distrazioni possono provocare la perdita di controllo.

2. Sicurezza elettrica

- Le spine dell'elettrotensile devono essere adatte alla presa di alimentazione. Non modificare la spina in alcun modo.**
Non utilizzare spine con adattatore con gli elettrotensili dotati di messa a terra. Per ridurre il rischio di scossa elettrica evitare di modificare le spine e utilizzare sempre le prese appropriate.
- Evitare il contatto con superfici collegate a terra, quali tubature, termosifoni, fornelli e frigoriferi.** Se il proprio corpo è collegato a terra, il rischio di scossa elettrica aumenta.
- Non esporre gli elettrotensili alla pioggia o all'umidità.** Se penetra dell'acqua all'interno dell'elettrotensile, il rischio di scossa elettrica aumenta.
- Non utilizzare il cavo di alimentazione in modo improprio. Non spostare, tirare o scollegare mai l'elettrotensile dalla presa usando il cavo di alimentazione.**

Tenere il cavo di alimentazione lontano da fonti di calore, olio, bordi taglienti o parti in movimento. Se il cavo di alimentazione è danneggiato o impigliato, il rischio di scossa elettrica aumenta.

- Se l'elettrotensile viene utilizzato all'aperto, usare esclusivamente prolunghe omologate per l'impiego all'esterno.** L'uso di un cavo idoneo per esterni riduce il rischio di scossa elettrica.
- Se non è possibile evitare di utilizzare un elettrotensile in una zona umida, collegarsi a una rete elettrica protetta da un interruttore differenziale salvavita.**

L'uso di un interruttore differenziale salvavita riduce il rischio di scossa elettrica.

3. Sicurezza personale

- È importante concentrarsi su ciò che si sta facendo e maneggiare con giudizio l'elettrotensile.**
Non utilizzare un elettrotensile quando si è stanchi o sotto l'effetto di droghe, alcool o medicinali. Un solo attimo di distrazione durante l'uso dell'elettrotensile potrebbe provocare gravi lesioni alle persone.
- Indossare dispositivi di protezione individuale.**
Utilizzare sempre dispositivi di protezione per gli occhi. L'uso di dispositivi di protezione, quali mascherine antipolvere, scarpe antinfortunistiche antiscivolo, elmetti di sicurezza o protezioni per l'udito, in condizioni opportune

consente di ridurre le lesioni personali.

- c. **Evitare avvii involontari. Assicurarsi che l'interruttore sia in posizione di spegnimento prima di collegare l'elettrotensile alla presa elettrica e/o inserire il pacco batteria e prima di afferrare o trasportare l'elettrotensile.** Il trasporto di elettrotensili tenendo il dito sull'interruttore o quando sono collegati alla rete elettrica con l'interruttore nella posizione di accensione provoca incidenti.
- d. **Prima di accendere l'elettrotensile, rimuovere eventuali chiavi o utensili di regolazione.** Un utensile di regolazione o una chiave fissati su una parte rotante dell'elettrotensile possono provocare lesioni personali.
- e. **Non sporgersi. Mantenere sempre una buona stabilità al suolo ed equilibrio.** Ciò consente un migliore controllo dell'elettrotensile nelle situazioni impreviste.
- f. **Vestiti correttamente. Non indossare abiti larghi o gioielli. Tieni i capelli e gli indumenti lontani dalle parti in movimento.** Abiti lenti, gioielli o capelli lunghi possono impigliarsi nelle parti in movimento.
- g. **Se i dispositivi sono forniti di collegamento con l'attrezzatura di aspirazione e raccolta delle polveri, assicurarsi che siano collegati e utilizzati correttamente.**
La raccolta delle polveri può ridurre i pericoli legati a queste ultime.
- h. **Non lasciare che la familiarità acquisita dall'uso frequente degli utensili induca a cedere alla tentazione di ignorare i principi di utilizzo sicuro degli stessi.**
Un'azione imprudente potrebbe provocare lesioni gravi in una frazione di secondo.

4. Uso e manutenzione dell'elettrotensile

- a. **Non forzare l'elettrotensile. Utilizzare un elettrotensile adatto al lavoro da eseguire.**
L'elettrotensile lavora meglio e con maggior sicurezza se utilizzato secondo quanto è stato previsto.
- b. **Non utilizzare l'elettrotensile se l'interruttore non permette l'accensione o lo spegnimento.** Qualsiasi elettrotensile che non possa essere controllato tramite l'interruttore è pericoloso e deve essere riparato.
- c. **Scollegare la spina dalla presa di corrente e/o rimuovere il pacco batteria, se staccabile, dall'utensile elettrico prima di effettuare qualsiasi regolazione, cambiare accessori o riporre gli utensili elettrici.**
Queste misure di sicurezza preventive riducono il rischio di azionare accidentalmente l'elettrotensile.
- d. **Riporre gli elettrotensili non utilizzati fuori dalla portata dei bambini ed evitarne l'uso da parte di persone che hanno poca familiarità con l'elettrotensile e con le presenti istruzioni.**
Gli elettrotensili sono pericolosi in mano a persone inesperte.

- e. **Eseguire la manutenzione degli elettrotensili e degli accessori. Verificare che le parti mobili siano correttamente allineate e non inceppate, che non vi siano componenti rotti e che non sussistano altre condizioni che possono compromettere il funzionamento dell'elettrotensile. Se danneggiato, far riparare l'elettrotensile prima dell'uso.** Molti incidenti sono provocati da elettrotensili su cui non è stata effettuata la corretta manutenzione.
- f. **Tenere gli utensili da taglio affilati e puliti.** La manutenzione corretta degli utensili da taglio con bordi affilati riduce le probabilità di inceppamento e ne facilita il controllo.
- g. **Utilizzare l'elettrotensile, gli accessori, le punte ecc., attenendosi a queste istruzioni e tenendo in considerazione le condizioni di funzionamento e il lavoro da eseguire.**

L'utilizzo dell'elettrotensile per impieghi diversi da quelli previsti può dare luogo a situazioni di pericolo.

- h. **Mantenere le impugnature e le superfici di presa asciutte, pulite e senza tracce di olio o grasso.** Impugnature e superfici di presa scivolose non consentono di maneggiare e controllare in modo sicuro l'elettrotensile nel caso di imprevisti.
- #### 5. Uso e manutenzione della batteria dell'elettrotensile
- a. **Ricaricare l'elettrotensile esclusivamente con il caricabatterie specificato dal produttore.**
Un caricabatterie adatto per un solo tipo di batteria può comportare il rischio d'incendio se usato con una batteria diversa.
 - b. **Usare gli elettrotensili esclusivamente con i pacchi batteria specificatamente indicati.** L'uso di qualsiasi altro pacco batteria comporta il rischio di lesioni personali e d'incendio.
 - c. **Se il pacco batteria non è in uso tenerlo lontano da oggetti di metallo come fermagli, monete, chiavi, chiodi, viti o altri piccoli oggetti metallici che possono provocare un contatto dei terminali.** Se i morsetti della batteria vengono cortocircuitati potrebbero provocare ustioni o un incendio.
 - d. **In condizioni di uso eccessivo è possibile che la batteria espella del liquido; evitarne il contatto. In caso di contatto, sciacquare abbondantemente con acqua. Se il liquido viene a contatto con gli occhi, consultare un medico.** Il liquido che fuoriesce dalla batteria può causare irritazioni o ustioni.
- #### 6. Assistenza
- a. **Fare riparare l'elettrotensile esclusivamente da personale specializzato e solo utilizzando pezzi di ricambio originali.** In questo modo viene garantita la sicurezza dell'elettrotensile.
 - b. **Non riparare le batterie danneggiate.** Gli interventi di

riparazione sulle batterie devono essere eseguiti dal costruttore o da fornitori di assistenza autorizzati.

Avvertenze sulla sicurezza del martello



AVVERTENZA!

Istruzioni di sicurezza per tutte le operazioni.

- ◆ **Indossare sempre protezioni.** L'esposizione al rumore può causare la perdita dell'udito.
- ◆ **Utilizzare maniglie ausiliarie, se fornite con l'utensile.** La perdita di controllo può causare lesioni a persone.
- ◆ **Tenere l'utensile elettrico mediante superfici di presa isolate, quando si esegue un'operazione in cui l'accessorio di taglio e gli elementi di fissaggio possono entrare in contatto con cavi nascosti o con il proprio cavo.** Se un accessorio di taglio dovesse venire a contatto con un cavo sotto tensione trasmetterebbe la corrente elettrica anche alle parti metalliche esposte dell'elettrotensile, con il pericolo di provocare la folgorazione dell'utilizzatore.
- ◆ **Sostenere correttamente l'apparato prima dell'uso.** Questo elettrotensile produce una coppia di uscita elevata e se non viene sorretto correttamente durante l'uso potrebbe provocare lesioni personali.

Istruzioni di sicurezza quando si utilizzano punte da trapano lunghe con martelli perforatori

- ◆ **Iniziare sempre a forare a bassa velocità e con la punta della punta a contatto con il pezzo.** A velocità più elevate, è probabile che la punta si pieghi se lasciata ruotare liberamente senza toccare il pezzo in lavorazione, causando lesioni personali.
- ◆ **Iniziare sempre a trapanare a bassa velocità e con la punta a contatto con il pezzo.** A velocità superiori è probabile che la punta si pieghi se viene lasciata ruotare liberamente senza toccare il pezzo da lavorare, con la possibilità di conseguenti lesioni personali.
- ◆ **Applicare pressione solo in linea diretta con la punta e non applicare una pressione eccessiva.** Le punte potrebbero piegarsi e rompersi o provocare la perdita di controllo del trapano con la possibilità di conseguenti lesioni personali.
- ◆ **Non usare mai un accessorio per scalpellatura nella modalità di rotazione.** L'accessorio rimarrà inceppato nel materiale, facendo ruotare il trapano.
- ◆ **Usare morse o altri metodi pratici per fissare e bloccare il pezzo da lavorare a una piattaforma stabile.** Tenere il pezzo in lavorazione con le mani o contro il corpo non ne assicura la stabilità e potrebbe comportare la perdita di controllo dell'elettrotensile.

- ◆ **Prima di trapanare pareti, pavimenti o soffitti, controllare l'ubicazione di fili e tubazioni.**
- ◆ **Evitare di toccare la punta di una punta del trapano subito dopo la trapanatura, in quanto essa potrebbe essere calda.**
- ◆ **L'uso previsto è indicato in questo manuale di istruzioni.** Se questo elettrotensile viene usato con accessori o per usi diversi da quelli raccomandati nel presente manuale, si potrebbero verificare lesioni a persone e/o danni alle cose.
- ◆ **Usare una mascherina antipolvere se il lavoro da eseguire produce polvere o particelle volatili.**

Sicurezza altrui

- ◆ Questo prodotto non è destinato per l'uso da parte di persone (compresi i bambini) con capacità fisiche, sensoriali o mentali ridotte, o prive di esperienza e conoscenza, a meno che siano sorvegliate o abbiano ottenuto istruzioni riguardo all'uso dell'elettrotensile da parte di una persona responsabile della loro sicurezza.
- ◆ Sorvegliare i bambini per assicurarsi che non giochino con l'elettrotensile.

Rischi residui

L'utilizzo dell'elettrotensile può comportare rischi residui non necessariamente riportati in queste avvertenze di sicurezza. Tali rischi possono sorgere a seguito di un uso prolungato o improprio, ecc.

Malgrado l'applicazione delle principali regole di sicurezza e l'implementazione di dispositivi di sicurezza, alcuni rischi residui non possono essere evitati. Sono inclusi:

- ◆ lesioni causate o subite a seguito del contatto con parti rotanti/in movimento;
- ◆ lesioni causate o subite durante la sostituzione di parti, lame o accessori;
- ◆ lesioni causate dall'impiego prolungato di un apparecchio; (quando si utilizza qualsiasi utensile per lunghi periodi, accertarsi di fare regolarmente delle pause);
- ◆ menomazioni uditive;
- ◆ rischi per la salute causati dall'aspirazione di polvere generata dall'utilizzo dell'elettrotensile (ad esempio quando si lavora con il legno, in modo particolare quello di quercia, faggio o l'MDF).

Vibrazione

I valori di emissione di vibrazione dichiarati al capitolo "Dati tecnici" e nella Dichiarazione di conformità nel presente manuale sono stati misurati secondo una procedura standardizzata prevista dalla norma EN62841 e possono essere usati per mettere a confronto elettrotensili diversi. Il valore delle emissioni di vibrazioni dichiarato può anche essere usato come valutazione preliminare dell'esposizione.

Avvertenza! Il valore di emissione di vibrazione durante l'impiego effettivo dell'elettrotensile può variare da quello

dichiarato a seconda delle modalità d'uso.

Il livello di vibrazione può aumentare oltre quello dichiarato. Quando si valuta l'esposizione alla vibrazione per determinare le misure di sicurezza, è necessario prendere in considerazione le condizioni effettive di impiego e il modo in cui l'elettrotensile viene usato, oltre che tenere conto di tutte le componenti del ciclo operativo, vale a dire i periodi in cui l'elettrotensile rimane spento, quelli in cui è acceso ma fermo e quelli in cui viene effettivamente utilizzato.

Etichette sull'elettrotensile

Sull'elettrotensile sono presenti i seguenti simboli assieme al codice data:



AVVERTENZA! Per ridurre il rischio di lesioni personali, leggere attentamente il manuale di istruzioni.



Indossare protezioni per le orecchie con i martelli rotanti. L'esposizione al rumore può causare la perdita dell'udito.



Non fissare la spia di funzionamento

Istruzioni di sicurezza aggiuntive per batterie e caricabatterie

Batterie

- Non tentare mai di aprire le batterie per alcun motivo.
- Non lasciare che la batteria si bagni.
- Non esporre la batteria al calore.
- Non conservare la batteria in luoghi dove la temperatura potrebbe superare i 40 °C.
- Caricare la batteria solo a temperature ambientali comprese tra 10 °C e 40 °C.
- Caricare esclusivamente con il caricabatterie fornito in dotazione con l'apparecchio/l'elettrotensile.
- Quando si smaltiscono le batterie, seguire le istruzioni riportate nella sezione "Tutela ambientale".
- Non danneggiare/deformare la batteria forandola o colpendola, per evitare il rischio di lesioni o di incendio.
- Non caricare le batterie danneggiate.
- In condizioni estreme, si potrebbe verificare la perdita di liquido dalle batterie. Se si nota la presenza di liquido sulle batterie, pulirle con attenzione con uno straccio. Evitare il contatto con la pelle.
- In caso di contatto con la pelle o gli occhi, seguire le istruzioni riportate di seguito.



Avvertenza! Il liquido delle batterie può causare lesioni a persone o danni alle cose. In caso di contatto con la pelle, risciacquare immediatamente con acqua. In caso di rossore, dolore o irritazione, rivolgersi immediatamente a un medico. In caso di

contatto con gli occhi, risciacquarli immediatamente con acqua pulita e consultare un medico.

Caricabatterie

Il caricabatterie è stato progettato per una tensione specifica. Verificare sempre che la tensione di rete corrisponda a quella indicata sulla targhetta dei valori nominali.



AVVERTENZA! Non tentare mai di sostituire il caricabatterie con una spina elettrica tradizionale.

- Usare il caricabatterie solo per caricare la batteria nell'elettrotensile con il quale è stato fornito. Tipi diversi di batterie potrebbero scoppiare provocando lesioni personali e danni materiali.
- Non tentare mai di caricare batterie non ricaricabili.
- In caso di danneggiamento del cavo di alimentazione è necessario farlo riparare dal fabbricante o presso un Centro assistenza autorizzato in modo da evitare pericoli.
- Fare sostituire immediatamente i cavi di alimentazione difettosi.
- Non lasciare che il caricabatterie si bagni.
- Non aprire il caricabatterie.
- Non collegare il caricabatterie a sonde.
- L'elettrodomestico/elettrotensile/la batteria devono essere lasciati in una zona ben ventilata durante la carica.



Il caricabatterie è destinato esclusivamente all'uso in ambienti chiusi.



Leggere il presente manuale d'uso prima dell'impiego.

Sicurezza elettrica



Il doppio isolamento di cui è provvisto il caricabatterie rende superfluo il filo di terra. Verificare sempre che la tensione di rete corrisponda a quella indicata sulla targhetta dei valori nominali. Non tentare mai di sostituire il caricabatterie con una spina elettrica tradizionale.

- ◆ Per prevenire pericoli, i cavi di alimentazione danneggiati devono essere sostituiti dal fabbricante o da un centro di assistenza BLACK+DECKER

Caratteristiche

Questo attrezzo presenta alcune o tutte le seguenti caratteristiche.

1. Interruttore di accensione/spengimento
2. Cursore di controllo rotazione avanti/indietro
3. Selettore modalità operativa
4. Arresto di profondità
5. Portautensili
6. Impugnatura laterale
7. Luce di lavoro a LED
8. Batteria

Assemblaggio

Utilizzo



AVVERTENZA! Lasciare che l'elettrotensile funzioni al proprio ritmo. Non sovraccaricarlo.

- ◆ Caricare la batteria prima del primo impiego.

NOTA: se l'unità si interrompe improvvisamente durante l'uso, rimuovere il pacco batteria e metterlo in carica per caricarlo completamente.

NOTA: se l'unità non si riavvia dopo un uso intenso, attendere che l'utensile e la batteria si raffreddino prima di riprendere il lavoro.

Carica della batteria (Figg. A e B)

La batteria deve essere caricata prima dell'impiego iniziale e quando non eroga una potenza sufficiente per svolgere lavori che prima era possibile eseguire facilmente. Durante la carica, la batteria potrebbe riscaldarsi. Si tratta di un fatto normale che non indica la presenza di un problema.



AVVERTENZA! Non caricare la batteria a temperature ambientali inferiori a 10 °C o superiori a 40 °C. La temperatura di carica raccomandata è di circa 24 °C.

Nota: il caricabatterie non carica una batteria se la temperatura delle celle è inferiore a 10 °C o superiore a 40 °C circa.

La batteria deve essere lasciata nel caricabatterie, che comincerà a caricare automaticamente quando la temperatura delle celle aumenta o diminuisce.

- ◆ Per caricare la batteria, inserire la batteria (8) nel caricabatteria da scrivania (9) o nel caricabatteria a coppa (11) a seconda del modello. La batteria può essere inserita nel caricabatterie solo in un verso.
- ◆ Collegare il caricabatterie da scrivania (9) o il caricabatterie a forma di coppa (11) a una fonte di alimentazione idonea e accenderlo.
- ◆ Caricare le batterie scariche entro 1 settimana. La durata delle batterie diminuisce parecchio se vengono conservate scariche.

Montaggio e rimozione della batteria (Figg. C e D)

- ◆ Per montare la batteria, allinearla al rispettivo vano sull'elettrotensile. Infilare la batteria nell'apposito vano e premerla fino a quando si aggancia in sede.
- ◆ Per rimuovere la batteria, premere il pulsante di rilascio (8a) estraendo al tempo stesso la batteria dal rispettivo vano.

Montaggio dell'impugnatura laterale e dell'arresto di profondità (fig. E)

- ◆ Ruotare il manico in senso orario fino a quando è possibile infilare l'impugnatura laterale (6) sulla parte anteriore dell'elettrotensile come illustrato.
- ◆ Ruotare l'impugnatura laterale nella posizione desiderata.
- ◆ Inserire l'arresto di profondità (4) nel foro di fissaggio

come illustrato.

- ◆ Regolare l'arresto di profondità sulla posizione desiderata. La profondità di trapanatura massima è pari alla distanza tra l'estremità appuntita della punta da trapano e l'estremità anteriore dell'arresto di profondità.
- ◆ Accertarsi che i fermi dell'impugnatura (23) siano bloccati sulle scanalature dell'alloggiamento (22).
- ◆ Serrare l'impugnatura laterale ruotando il manico in senso antiorario.

Montaggio di un accessorio (fig. F - G)

- ◆ Pulire e ingrassare il codolo (12) dell'accessorio.
- ◆ Inserire il gambo nel portautensile (5).
- ◆ Premere verso il basso l'accessorio e ruotarlo leggermente fino a quando si insedia nelle fessure.
- ◆ Tirare l'accessorio per controllare che sia correttamente bloccato.
Per la funzione di percussione, l'accessorio deve essere in grado di spostarsi assialmente di vari centimetri quando è bloccato nel mandrino portapunta.
- ◆ Per rimuovere l'accessorio, tirare indietro il manicotto (13) ed estrarre l'accessorio.

Mandrino portapunta con chiave (Fig. H)

- ◆ Aprire il mandrino portapunta ruotando il manicotto (14) in senso antiorario.
- ◆ Inserire il codolo della punta (16) nel mandrino portapunta.
- ◆ Inserire la chiave del mandrino portapunta (17) nel foro (15) a lato del mandrino e ruotare in senso orario sino a quando il mandrino è ben stretto.



AVVERTENZA! Prima di trapanare pareti, pavimenti o soffitti, controllare l'ubicazione di fili e tubazioni.



AVVERTENZA! Non usare accessori per scalpellatura quando l'utensile si trova nella modalità di trapanatura.

Azione di rotazione avanti/indietro (Fig. I)

- ◆ Spostare il selettore (2) per indicare la direzione di rotazione richiesta.

Accensione e spegnimento (fig. I)

- ◆ Per accendere l'utensile, premere l'interruttore a velocità variabile (1). La velocità dell'utensile dipende da quanto si preme l'interruttore.
- ◆ Di regola, usare velocità basse per le punte da trapano di grosso diametro e velocità alte per quelle di diametro più piccolo.
- ◆ Per spegnere l'elettrotensile, rilasciare l'interruttore a velocità variabile.

Selezione della modalità operativa (fig. J)

L'elettrotensile può essere usato in tre modalità operative.

- ◆ Per azionare il selettore della modalità operativa (3), premere il pulsante di sblocco (20) e ruotare il selettore

verso la posizione richiesta, come indicato dai simboli.

Trapanatura

- ◆ Per la trapanatura di acciaio, legno e plastica e per l'avvitatura, regolare il selettore della modalità operativa (3) sulla posizione **T** (19).

Trapanatura a percussione

- ◆ Per la trapanatura a percussione nelle murature e nel calcestruzzo, regolare il selettore della modalità operativa (3) sulla posizione **T** (18). Durante la martellatura, l'elettrotensile non dovrebbe saltellare, bensì funzionare in modo regolare. Se necessario, aumentare la velocità.

Martellatura

- ◆ Per la martellatura con il blocco dell'alberino e per la scalpellatura e l'incisione leggera, regolare il selettore della modalità operativa (3) sulla posizione **T** (21).
- ◆ Quando si passa dalla trapanatura a percussione alla scalpellatura, ruotare lo scalpello sulla posizione desiderata. Se si avverte una certa resistenza durante il cambio di modalità, ruotare leggermente lo scalpello per innestare il blocco dell'alberino.

Accessori

Le prestazioni dell'elettrotensile dipendono dall'accessorio usato. Gli accessori BLACK+DECKER Stanley sono stati fabbricati in base a standard qualitativi elevati e sono stati progettati per ottenere le migliori prestazioni dall'elettrotensile. Utilizzando questi accessori si otterrà il meglio dall'elettrotensile.

Manutenzione

Questo apparecchio/elettrotensile BLACK+DECKER, con o senza cavo, è stato progettato per funzionare a lungo con una manutenzione minima. Prestazioni sempre soddisfacenti dipendono da una cura appropriata e da una pulizia regolare.



AVVERTENZA! Prima di eseguire interventi di manutenzione sugli elettrotensili con cavo / cordless:

- ◆ Spegner e scollegare l'apparecchio/elettrotensile dalla presa di corrente.
- ◆ Oppure spegnere ed estrarre la batteria, se l'apparecchio/elettrotensile è dotato una batteria separata.
- ◆ Oppure scaricare completamente la batteria se è di tipo integrale e quindi spegnerlo.
- ◆ Scollegare il caricabatterie dalla spina prima di pulirlo. Il caricabatterie non richiede alcuna manutenzione, salvo una regolare pulizia.
- ◆ Pulire regolarmente le prese di ventilazione dell'apparecchio/elettrotensile/alimentatore con un pennello o con un panno morbido e asciutto.
- ◆ Pulire regolarmente il vano del motore con un panno umido. Non usare materiali abrasivi o detersivi a base di solventi.
- ◆ Aprire regolarmente il mandrino e batterlo leggermente per eliminare la polvere dall'interno (se montato).

Protezione dell'ambiente



Raccolta differenziata. I prodotti e le batterie contrassegnati con questo simbolo non devono essere smaltiti con i rifiuti domestici normali.

I prodotti e le batterie contengono materiali che possono essere recuperati o riciclati, riducendo la richiesta di materie prime.

Riciclare i prodotti elettrici e le batterie attenendosi alle disposizioni locali vigenti. Ulteriori informazioni sono disponibili all'indirizzo www.2helpU.com.

Dati tecnici

		BCD900D1S / D1K	BCD900E2K	BCD900M1K	BCD900B
Tensione in ingresso	V _{DC}	18	18	18	18
Velocità a vuoto	min ⁻¹	0 - 1800	0 - 1800	0 - 1800	0 - 1800
Forza di percussione	min ⁻¹	0 - 6350	0 - 6350	0 - 6350	0 - 6350
Peso	kg	2,60	2,60	2,87	2,22
Capacità di perforazione max.					
Calcestruzzo	mm	18	18	18	18
Acciaio	mm	13	13	13	13
Legno	mm	25	25	25	25
Batteria		BL2018	BL2518	BL4018	Non fornita
Tensione	V _{CC}	18	18	18	
Capacità	Ah	2,0	2,5	4,0	
tipo		Agli ioni di litio	Agli ioni di litio	Agli ioni di litio	

Caricabatterie			
Tensione in ingresso	V _{CA}	220 - 240	230
Tensione erogata	V _{DC}	8 - 20	18
Corrente	A	1.0	2.0
Tempo di carica approssimativo	ora	2 - 4 h	1 - 2 h

Valori dichiarati di emissione del rumore a doppia cifra secondo ISO 4871	
Pressione sonora misurata ponderata, L _{WA} (rif. 1pW), in decibel = 100 dB(A) Incertezza, K _{WA} , in decibel = 3 dB(A)	
Livello di pressione sonora emissione audio misurata ponderata A alla postazione di lavoro, L _{PA} (rif. 20µPA), in decibel = 92 dB(A) Incertezza, K _{PA} , in decibel = 3 dB(A)	
Valori determinati a seconda del codice della prova di rumorosità dati in EN62841-1:2015+AC:2015+A11:2022, utilizzando le norme di base EN62841-2-6:2020+A11:2020.	
NOTA - la somma di un valore di emissione del rumore misurato e la sua relativa incertezza rappresentano un limite superiore dell'intervallo di valori che è probabile si verifichi nelle misurazioni	

Valori totali vibrazioni (somma vettoriale triassiale) determinati in base alla normativa EN 62841		
	La descrizione della modalità operativa "Trapanatura a percussione del calcestruzzo"	La descrizione della modalità operativa "scalpellatura"
Valore emissione vibrazioni a_w	13,8 m/s ²	12,2 m/s ²
Incertezza K	1,5 m/s ²	1,5 m/s ²
Valori determinati secondo la norme EN62841-1:2015+AC:2015+A11:2022 e EN62841-2-6:2020+A11:2020		

Dichiarazione di conformità CE

DIRETTIVA MACCHINE



BCD900 Trapano a percussione

Black & Decker dichiara che i prodotti descritti nella sezione "Dati tecnici" sono conformi alle seguenti norme:
EN62841-1:2015+AC:2015+A11:2022,
EN62841-2-6:2020+A11:2020.

Questi prodotti sono conformi alle Direttive 2006/42/CE, 2014/30/UE e 2011/65/UE. Per maggiori informazioni contattare Black & Decker al seguente indirizzo oppure consultare l'ultima di copertina del manuale.

Il sottoscritto è responsabile della redazione di questo documento tecnico e rilascia questa dichiarazione per conto di Black & Decker.

Patrick Diepenbach

Patrick Diepenbach
Direttore generale, Benelux
Black and Decker, 2800 Mechelen,
Belgio
30/12/2022

Garanzia

Black & Decker è certa della qualità dei propri prodotti e offre ai consumatori una garanzia di 24 mesi dalla data di acquisto. Il presente certificato di garanzia è complementare ai diritti legali e non li pregiudica in alcun modo. La garanzia è valida nei territori degli Stati membri dell'Unione Europea, dell'EFTA (Associazione europea di libero scambio) e del Regno Unito.

Per attivare la garanzia, la richiesta di intervento e riparazione in garanzia deve essere effettuata in accordo con i Termini e condizioni Black&Decker e sarà necessario presentare la prova di acquisto al venditore o all'agente di riparazione

autorizzato. I Termini e condizioni della garanzia Black&Decker di 2 anni e la sede dell'agente di riparazione autorizzato più vicino sono consultabili su Internet all'indirizzo www.2helpU.com oppure è possibile contattare l'ufficio Black & Decker di zona all'indirizzo indicato in questo manuale. Visitare il nostro sito www.blackanddecker.it per registrare il prodotto Black&Decker appena acquistato e ricevere gli aggiornamenti su nuovi prodotti e offerte speciali.

(Vertaling van de originele instructies)

NEDERLANDS

Bedoeld gebruik

Uw BLACK+DECKER BCD900 klopboormachine is ontworpen voor het boren in hout, metaal, kunststof en steen, maar kan ook worden gebruikt als schroevendraaier of voor lichte beitelwerkzaamheden. Dit gereedschap is uitsluitend bestemd voor consumentengebruik.

Veiligheidsinstructies

Algemene veiligheidswaarschuwingen voor elektrisch gereedschap



WAARSCHUWING! Lees alle veiligheidswaarschuwingen, instructies, illustraties en specificaties die bij dit gereedschap zijn meegeleverd. Wanneer de volgende waarschuwingen en voorschriften niet in acht worden genomen, kan dit een elektrische schok, brand of ernstig letsel tot gevolg hebben.

Bewaar alle waarschuwingen en instructies als referentiemateriaal. De hierna gebruikte term 'elektrisch gereedschap' in alle waarschuwingen die hieronder worden vermeld, heeft betrekking op elektrisch gereedschap voor gebruik op netspanning (met netsnoer) of met een accu (snoerloos).

1. Veilige werkomgeving

- Houd uw werkomgeving schoon en goed verlicht.** Op rommelige of donkere plekken zullen sneller ongelukken gebeuren.
- Werk niet met elektrisch gereedschap in een omgeving met explosiegevaar, zoals in de nabijheid van brandbare vloeistoffen, gasen of stof.** Elektrisch gereedschap veroorzaakt vonken die het stof of de dampen kunnen doen ontbranden.
- Houd kinderen en omstanders tijdens het gebruik van elektrisch gereedschap op afstand.** Als u wordt afgeleid, kunt u de controle over het gereedschap verliezen.

2. Elektrische veiligheid

- a. **De netstekker van het elektrisch gereedschap moet in het stopcontact passen. Pas de stekker nooit op enige manier aan.**

Gebruik geen adapterstekkers in combinatie met geaard elektrisch gereedschap. Niet-aangepaste stekkers en passende contactdozen verminderen het risico van een elektrische schok.

- b. **Vermijd aanraking van het lichaam met geaarde oppervlakken, bijvoorbeeld buizen, verwarmingen, fornuizen en koelkasten.** Er bestaat een verhoogd risico van een elektrische schok als uw lichaam contact heeft met aarde.
- c. **Stel elektrisch gereedschap niet bloot aan regen en vocht.** Als er water in een elektrisch gereedschap dringt, verhoogt dit het risico van een elektrische schok.
- d. **Behandel het snoer voorzichtig. Gebruik het snoer nooit om het elektrisch gereedschap te dragen of naar u toe te trekken, of de stekker uit het stopcontact te halen. Houd het snoer uit de buurt van warmtebronnen, olie, scherpe randen, of bewegende onderdelen.** Beschadigde snoeren of snoeren die in de war zijn geraakt, verhogen het risico van een elektrische schok.
- e. **Gebruik, wanneer u buitenshuis met elektrisch gereedschap werkt, alleen verlengsnoeren die zijn goedgekeurd voor gebruik buitenshuis.** Het gebruik van een verlengsnoer dat geschikt is voor buiten vermindert het risico van een elektrische schok.
- f. **Als u met elektrisch gereedschap werkt op een vochtige locatie, gebruik dan een aardlekschakelaar (RCD).** Het gebruik van een aardlekschakelaar vermindert het risico van een elektrische schok.

3. Persoonlijke veiligheid

- a. **Blijf alert, let goed op wat u doet en ga met verstand te werk bij het gebruik van elektrisch gereedschap. Gebruik elektrisch gereedschap niet als u vermoeid bent of onder de invloed van drugs, alcohol of medicatie bent.** Een moment van onoplettendheid tijdens het werken met elektrisch gereedschap kan leiden tot ernstig persoonlijk letsel.
- b. **Draag persoonlijke beschermende uitrusting. Draag altijd oogbescherming.** Beschermende uitrusting, zoals een stofmasker, antislip veiligheidsschoenen, een helm, of gehoorbescherming, gebruikt in de juiste omstandigheden, zal het risico op persoonlijk letsel verminderen.
- c. **Voorkom per ongeluk inschakelen. Controleer dat de schakelaar in de uit-stand staat voordat u het gereedschap aansluit op het stopcontact en/of de accu plaatst en voordat u het gereedschap optilt of gaat dragen.** Het dragen van elektrisch gereedschap met

uw vinger op de schakelaar of het aanzetten van elektrisch gereedschap waarvan de schakelaar aan staat, kan leiden tot ongelukken.

- d. **Verwijder stelsleutels of steeksleutels voordat u het elektrisch gereedschap inschakelt.** Een steeksleutel of een inbussleutel in een draaiend deel van het elektrisch gereedschap kan tot persoonlijk letsel leiden.
- e. **Reik niet buiten uw macht. Blijf altijd stevig en in balans op de grond staan.** Dit geeft u betere controle over het elektrisch gereedschap in onverwachte situaties.
- f. **Draag geschikte kleding. Draag geen loszittende kleding of sieraden. Houd uw haar, kleding en handschoenen uit de buurt van bewegende onderdelen.** Loszittende kleding, sieraden of lang haar kunnen door bewegende delen worden gegrepen.
- g. **Als voorzieningen voor stofafzuiging of een stofreservoir kunnen worden gemonteerd, controleer dan dat deze zijn aangesloten en op de juiste wijze worden gebruikt.** Het gebruik van stofafzuiging kan aan stof gerelateerde gevaren verminderen.
- h. **Word niet gemakzuchtig doordat u door veelvuldig gebruik vertrouwd bent geraakt met het gereedschap, en verlies niet de veiligheidsbeginselen uit het oog.** Een onvoorzichtige handeling kan in een fractie van een seconde ernstig letsel tot gevolg hebben.
4. **Gebruik en onderhoud van elektrisch gereedschap**
- a. **Overbelast het elektrisch gereedschap niet. Gebruik het juiste elektrisch gereedschap voor uw toepassing.** Met het juiste elektrisch gereedschap kunt u de werkzaamheden waarvoor het gereedschap is ontworpen, beter en veiliger uitvoeren.
- b. **Gebruik het elektrisch gereedschap niet als de schakelaar niet goed werkt.** Ieder elektrisch gereedschap dat niet met de schakelaar kan worden bediend, is gevaarlijk en moet worden gerepareerd.
- c. **Trek de stekker uit het stopcontact en/of de accu uit het elektrisch gereedschap voordat u het gereedschap instelt, accessoires wisselt of het elektrisch gereedschap opbergt.** Dergelijke preventieve veiligheidsmaatregelen verminderen het risico dat het elektrisch gereedschap per ongeluk wordt gestart.
- d. **Bewaar elektrisch gereedschap dat niet wordt gebruikt, buiten bereik van kinderen. Laat niet personen die er niet vertrouwd mee zijn en deze aanwijzingen niet hebben gelezen met het gereedschap werken.** Elektrisch gereedschap is gevaarlijk in handen van ongetrainde gebruikers.
- e. **Onderhoud elektrisch gereedschap en accessoires goed. Controleer dat bewegende delen van het**

elektrisch gereedschap wel goed functioneren en niet klemmen, en dat er niet onderdelen zodanig zijn gebroken of beschadigd dat de werking van het gereedschap nadelig wordt beïnvloed. Laat het gereedschap voor gebruik repareren als het beschadigd is. Veel ongelukken worden veroorzaakt door slecht onderhouden elektrisch gereedschap.

- f. **Houd zaag- en snijgereedschap scherp en schoon.** Goed onderhouden zaaggereedschap met scherpe snijvlakken loopt minder snel vast en is gemakkelijker onder controle te houden.
- g. **Gebruik elektrisch gereedschap, accessoires, zaagjes en boortjes, enz., volgens deze aanwijzingen. Let daarbij op de arbeidsomstandigheden en de uit te voeren werkzaamheden.** Gebruik van het elektrisch gereedschap voor werkzaamheden die anders zijn dan bedoeld, kan leiden tot een gevaarlijke situatie.
- h. **Houd de handgrepen droog, schoon en vrij van olie en vet. Gladde handgrepen en greepoppervlakken maken het moeilijk het gereedschap veilig te hanteren en onder controle te houden in onverwachte situaties.**

5. Gebruik en onderhoud van accugereedschap

- a. **Laad accu's alleen op met de door de fabrikant aanbevolen lader.**
Een lader die geschikt is voor het ene type accu, kan een risico van brand doen ontstaan bij gebruik met een andere accu.
- b. **Gebruik elektrisch gereedschap alleen in combinatie met specifiek vermelde accu's.** Het gebruik van andere accu's kan gevaar voor letsel en brand opleveren.
- c. **Houd de accu, wanneer u deze niet gebruikt, weg bij andere metalen objecten zoals paperclips, munten, sleutels, spijkers, schroeven of andere kleine metalen voorwerpen die een verbinding tot stand kunnen brengen tussen de ene pool en de andere.** Als kortsluiting tussen de polen van de accu wordt gemaakt, kan dit tot brandwonden of brand leiden.
- d. **Wanneer de accu slecht wordt behandeld, kan er vloeistof uit de accu spuiten, vermijd contact met deze vloeistof. Als er per ongeluk contact ontstaat, spoel dan met water. Als de vloeistof in de ogen komt, roep dan tevens medische hulp in.** Vloeistof uit de accu kan irritatie en brandwonden veroorzaken.

6. Service

- a. **Laat het gereedschap alleen repareren door gekwalificeerd en vakkundig personeel en alleen met originele vervangingsonderdelen.** De veiligheid van het gereedschap blijft dan gewaarborgd.
- b. **Voer nooit servicewerkzaamheden uit aan accu's.** Alleen de fabrikant of een geautoriseerd servicecentrum

mag servicewerkzaamheden aan accu's uitvoeren.

Veiligheidswaarschuwingen voor hamers



WAARSCHUWING!

Veiligheidsinstructies voor alle handelingen.

- ◆ Draag gehoorbescherming. Blootstelling aan lawaai kan gehoorverlies veroorzaken.
- ◆ Gebruik extra handgrepen, indien meegeleverd met het gereedschap. Verlies van controle kan leiden tot persoonlijk letsel.
- ◆ Houd het elektrische gereedschap vast aan de geïsoleerde grijpvlakken wanneer u een handeling uitvoert waarbij het snijaccessoire en de bevestigingsmiddelen in contact kunnen komen met verborgen bedrading of het eigen snoer. Accessoires van elektrisch gereedschap die in contact komen met bedrading waar spanning op staat, kunnen metalen onderdelen van het gereedschap onder stroom zetten en de gebruiker een elektrische schok geven.
- ◆ Pak het gereedschap goed vast wanneer u het gaat gebruiken. Dit gereedschap produceert krachtig koppel en wanneer u het gereedschap niet stevig vast heeft tijdens de werkzaamheden, kunt u de controle verliezen en dat kan persoonlijk letsel tot gevolg hebben.

Veiligheidsinstructies bij gebruik van lange boren met boorhamers

- ◆ Begin altijd met boren op lage snelheid en met de bitpunt in contact met het werkstuk. Bij hogere snelheden zal de boor misschien doorbuigen als deze vrij kan draaien zonder contact met het werkstuk, wat persoonlijk letsel tot gevolg heeft.
- ◆ Begin altijd met boren op een lagere snelheid en met de tip van de boor-bit in contact met het werkstuk. Bij hogere snelheden zal de boor misschien doorbuigen als deze vrij kan draaien zonder contact met het werkstuk, wat persoonlijk letsel tot gevolg heeft.
- ◆ Oefen alleen in een directe lijn met het boortje druk uit en oefen niet al te veel druk uit. Bits kunnen doorbuigen waardoor ze kunnen breken of de gebruiker de controle kan verliezen, wat persoonlijk letsel tot gevolg heeft.
- ◆ Gebruik nooit een beitelhulpstuk in de roterende stand. Het accessoire zal vastlopen in het materiaal en de boormachine zal rondraaien.
- ◆ Zet het werkstuk met klemmen of op een andere praktische manier vast en ondersteun het werkstuk op een stabiele ondergrond. Wanneer u het werkstuk vasthoudt met de hand of het tegen uw lichaam gedrukt houdt, is het instabiel en kunt u

de controle verliezen.

- ◆ Controleer waar zich bedrading en leidingen bevinden voor u in muren, vloeren of plafonds boort.
- ◆ Raak de punt van een boor niet meteen na het boren aan. De punt kan heet zijn.
- ◆ Het bedoeld gebruik wordt beschreven in deze gebruiksaanwijzing. Het gebruik van andere accessoires of hulpstukken of uitvoering van andere handelingen met dit gereedschap dan die in deze instructiehandleiding worden aanbevolen, kan leiden tot persoonlijk letsel en/of materiële schade.
- ◆ Gebruik een gezichts- of stofmasker wanneer bij de werkzaamheden stof en rondvliegende deeltjes kunnen ontstaan.

Veiligheid van anderen

- ◆ Het is niet de bedoeling dat het apparaat wordt gebruikt door personen (waaronder kinderen) met verminderde fysieke, sensorische of psychische vermogens, of door personen die het ontbreekt aan ervaring en kennis, tenzij onder toezicht en na instructie over het gebruik van het apparaat door iemand die verantwoordelijk is voor hun veiligheid.
- ◆ Er moet op worden toegezien dat kinderen niet met het apparaat spelen.

Overige risico's.

Er kunnen zich bij het gebruik van dit gereedschap nog meer risico's voordoen, die mogelijk niet in de bijgesloten veiligheidswaarschuwingen worden beschreven. Deze risico's kunnen zich voordoen door onoordeelkundig gebruik, langdurig gebruik, enz.

Zelfs wanneer de veiligheidsvoorschriften in acht worden genomen en de veiligheidsvoorzieningen worden gebruikt, kunnen bepaalde risico's niet worden uitgesloten. Dit zijn onder meer:

- ◆ Verwondingen die worden veroorzaakt door het aanraken van draaiende of bewegende onderdelen.
- ◆ Verwondingen die worden veroorzaakt bij het vervangen van onderdelen, bladen of accessoires.
- ◆ Letsel dat wordt veroorzaakt door langdurig gebruik van gereedschap. Wanneer u langere periodes met gereedschap werkt, kunt u het beste regelmatig een pauze nemen.
- ◆ Gehoorbeschadiging.
- ◆ Gezondheidsrisico's als gevolg van het inademen van stof dat door gebruik van het gereedschap wordt veroorzaakt (bijvoorbeeld tijdens het werken met hout, met name eiken, beuken en MDF).

Trillingen

De aangegeven waarden voor trillingsemmissie in de technische gegevens en de conformiteitsverklaring zijn gemeten conform

een standaardtestmethode die door EN62841 wordt geboden. Hiermee kan het ene gereedschap met het andere worden vergeleken. De aangegeven waarde voor trillingsemmissie kan ook worden gebruikt bij een voorlopige bepaling van blootstelling.

Waarschuwing! De waarde voor trillingsemmissie tijdens het werkelijke gebruik van het elektrisch gereedschap kan verschillen van de aangegeven waarde afhankelijk van de manieren waarop het gereedschap wordt gebruikt. Het trillingsniveau kan toenemen tot boven het aangegeven niveau.

Bij beoordeling van de blootstelling aan trillingen, moet bij een inschatting van de blootstelling aan trillingen rekening worden gehouden met de werkelijke gebruiksomstandigheden en de manier waarop het gereedschap wordt gebruikt. Daarbij moet ook rekening worden gehouden met alle onderdelen van de bedrijfscyclus, zoals wanneer het gereedschap wordt uitgeschakeld en wanneer het gereedschap stationair loopt en ook de aanlooptijd.

Etiketten op het gereedschap

Naast de datumcode is het gereedschap voorzien van de volgende symbolen:



WAARSCHUWING! De gebruiker moet de instructiehandleiding lezen zodat het risico van letsel wordt beperkt.



Draag oorbeschermers bij boorhamers. Blootstelling aan lawaai kan gehoorverlies veroorzaken.



Kijk niet in de werkklamp

Aanvullende veiligheidsinstructies voor accu's en laders

Accu's

- Probeer nooit om welke reden dan ook batterijen open te maken.
- Stel de accu niet bloot aan water.
- Stel de accu niet bloot aan hitte.
- Bewaar de batterijen niet op locaties met temperaturen van meer dan 40 °C.
- Laad de accu alleen op bij een omgevingstemperatuur van 10 °C tot 40 °C.
- Gebruik alleen de lader die bij het gereedschap/apparaat is geleverd.
- Gooi lege batterijen weg volgens de instructies in het gedeelte "Het milieu beschermen".

- U mag de accubehuizing niet beschadigen of vervormen door er gaten in te prikken of ertegen aan te stoten, aangezien dit kan leiden tot letsel of brand.
- Laad beschadigde batterijen niet op.
- Onder extreme omstandigheden kan lekkage van batterijen optreden. Wanneer u merkt dat de accu nat of vochtig is, veeg de vloeistof dan voorzichtig af met een doek. Vermijd huidcontact.
- Volg in het geval van huid- of oogcontact de onderstaande instructies.



WAARSCHUWING! De accuvloeistof kan lichamelijk letsel en materiële schade veroorzaken. Bij huidcontact moet u de vloeistof direct afspoelen met water. Raadpleeg uw huisarts als er rode vlekken ontstaan of bij een pijnlijke of geïrriteerde huid. Bij oogcontact moet u de vloeistof direct uitspoelen met water en uw huisarts raadplegen.

Laders

De lader is ontworpen voor een bepaalde spanning. Controleer altijd dat de netspanning overeenkomt met de waarde op het typeplaatje.



WAARSCHUWING! Probeer nooit de lader te voorzien van een normale netstekker.

- Gebruik de lader alleen voor de accu's in het apparaat waarbij de lader is geleverd. Andere batterijen kunnen openbarsten, met persoonlijk letsel en materiële schade tot gevolg.
- Niet-oplaadbare accu's mogen nooit worden opgeladen.
- Als het netsnoer is beschadigd, moet dit worden vervangen door de fabrikant of een geautoriseerd servicecentrum, zodat gevaarlijke situaties worden voorkomen.
- Een defect snoer moet direct worden vervangen.
- Stel de lader niet bloot aan water.
- Open de lader niet.
- Prik nooit met een scherp voorwerp in de lader.
- Het apparaat/het gereedschap/de accu moet tijdens het laden in een goed geventileerde ruimte worden geplaatst.



De lader is uitsluitend bestemd voor gebruik binnenshuis.



Lees de instructiehandleiding voordat u de lader in gebruik neemt.

Elektrische veiligheid



De lader is dubbel geïsoleerd, en daarom is een aardedraad niet nodig. Controleer altijd dat de netspanning overeenkomt met de waarde op het typeplaatje. Probeer nooit de lader te voorzien van een normale netstekker.

- ◆ Als het netsnoer is beschadigd, moet dit worden vervangen door de fabrikant of een BLACK+DECKER-servicecentrum, zodat gevaarlijke situaties worden voorkomen.

Functies

Dit gereedschap is voorzien van enkele of alle van de volgende functies.

1. Aan/uit-schakelaar
2. Schakelaar voor rechtsom/linksom
3. Selectieschakelaar voor boorstand
4. Dieptestop
5. Gereedschapshouder
6. Zijhandgreep
7. Led-werklicht
8. Batterij

Montage

Gebruik van het apparaat



WAARSCHUWING! Laat het gereedschap op z'n eigen snelheid werken. Overbelast het gereedschap niet.

- ◆ Voordat u de accu gebruikt moet u deze eerst volledig opladen.

OPMERKING: Als de machine plotseling stopt, verwijder dan de accu en laad deze volledig op.

OPMERKING: Als de machine na langdurig gebruik niet meer start, laat de machine en de accu dan afkoelen voordat u verder gaat.

De accu opladen (fig. A, B)

De accu moet vóór het eerste gebruik worden opgeladen, en ook zodra de accu niet meer voldoende vermogen levert voor taken die eerst gemakkelijk konden worden uitgevoerd. Tijdens het opladen kan de accu warm worden. Dit is normaal en duidt niet op een probleem.



WAARSCHUWING! Laad de batterij niet op bij een omgevingstemperatuur lager dan 10 °C of hoger dan 40 °C. De aanbevolen laadtemperatuur is ongeveer 24 °C.

OPMERKING: De lader functioneert niet als de temperatuur van de accu lager is dan ongeveer 10 °C of hoger dan 40 °C. Laat de accu in de lader zitten en de lader wordt automatisch ingeschakeld wanneer de accu de juiste temperatuur heeft.

- ◆ Laad de accu op door de accu (8) in de lader (9) of het laadstation (11) te plaatsen. De accu past maar op één manier in de lader.
- ◆ Steek de stekker van de lader (9) of het laadstation (11) in een geschikt stopcontact en schakel de lader in.
- ◆ Lege accu's moeten binnen 1 week worden opgeladen. Als u accu's in onopgeladen toestand bewaart, loopt de levensduur van de accu's aanzienlijk terug.

De accu plaatsen en verwijderen (afb. C, D)

- ◆ U plaatst de accu door deze in het accuvak op het gereedschap te steken. Schuif de accu in het vak en duw tot de accu op z'n plaats klikt.
- ◆ Duw, als u de accu wilt verwijderen, op de ontgrendelknop (8a) en neem de accu uit het accuvak.

Zijhandgreep en dieptestop bevestigen (afb. E)

- ◆ Draai de greep rechtsom totdat u de zijgreep (6) naar de voorkant van het gereedschap kunt schuiven, zoals aangegeven.
- ◆ Draai de zijhandgreep in de gewenste stand.
- ◆ Plaats de diepteregelaar (4) zoals aangegeven in het bevestigingsgat.
- ◆ Stel de diepteregelaar in op de gewenste stand. De maximale boordiepte is gelijk aan de afstand tussen de punt van de boorbit en de voorkant van de diepteaanslag.
- ◆ Zorg ervoor dat de pallen (23) zijn vergrendeld in de gleuven van de behuizing (22).
- ◆ Zet de zijhandgreep vast door de greep naar links te draaien.

Een hulpstuk aanbrengen (afb. F - G)

- ◆ Reinig en smeer de schacht (12) van het accessoire.
- ◆ Voer de schacht in de gereedschapshouder (5).
- ◆ Druk het accessoire naar beneden en draai het wat, tot het in de sleuven past.
- ◆ Controleer dat het accessoire goed is vergrendeld door eraan te trekken.
Voor de klopfunctie moet het accessoire in de gereedschapshouder meerdere centimeters in de lengterichting kunnen bewegen.
- ◆ Trek, als u het accessoire wilt verwijderen, de huls (13) terug en trek het accessoire uit.

Boorkop met sleutel (afb. H)

- ◆ Open de boorkop door de huls (14) linksom te draaien.
- ◆ Plaats de bitschacht (16) in de spanknop.
- ◆ Plaats de boorkopsleutel (17) in het gat (15) aan de zijkant van de boorkop en draai deze rechtsom totdat de boorkop stevig vast zit.



WAARSCHUWING! Controleer waar zich bedrading en leidingen bevinden voordat u in muren, vloeren of plafonds boort.



WAARSCHUWING! Gebruik geen beitels wanneer het gereedschap in de boorstand staat.

Werkung Vooruit/Achteruit (afb. I)

- ◆ Verplaats de selectieknop (2) in de stand voor de gewenste richting.

In- en uitschakelen (afb. J)

- ◆ Schakel het gereedschap in door op de variabele snelheid schakelaar (1) te drukken. De draaisnelheid van het gereedschap hangt af van hoever u de schakelaar indrukt.
- ◆ In het algemeen geldt dat u lage snelheden gebruikt voor boren met een grote diameter en hoge snelheden voor boren met boortjes met een kleinere diameter.
- ◆ U kunt het gereedschap uitschakelen door de schakelaar voor variabele snelheid los te laten.

De gebruiksstand selecteren (afb. J)

Het gereedschap kan in drie gebruiksstanden worden gebruikt.

- ◆ U kunt de gebruiksstand selecteren door de ontgrendelknop (20) in te drukken en de selectieknop (3) voor de gebruiksstanden in de gewenste stand te draaien, zoals wordt aangegeven met de symbolen.

Boren

- ◆ Wilt u in staal, hout of kunststof boren of schroeven indraaien, stel de knop voor de gebruiksstand (3) dan in op de **2** stand (19).

Klopboren

- ◆ Voor klopboren in metselwerk en beton, moet u de knop voor de gebruiksstanden (3) instellen op de **T 1** stand (18). Tijdens het klopboren, moet het gereedschap niet terugslaan, maar soepel lopen. Verhoog indien nodig de snelheid.

Hameren

- ◆ Voor hameren met spilvergrendeling en voor lichte beitels- en bikwerkzaamheden stelt u de knop voor de gebruiksstanden (3) in op de **T** stand (21).
- ◆ Draai de beitel naar de gewenste stand wanneer u wisselt van klopboren naar beitelen. Wanneer bij het wisselen van gebruiksstanden weerstand voelt, moet u de beitel wat draaien zodat de spilvergrendeling wordt ingeschakeld.

Accessoires

De prestaties van het gereedschap zijn afhankelijk van de gebruikte accessoires. Accessoires van Stanley BLACK+DECKER zijn ontworpen om aan hoge kwaliteitsnormen te voldoen en de prestaties van uw gereedschap te verhogen. Door deze accessoires te gebruiken kunt u uw gereedschap nog beter laten presteren.

Onderhoud

Het BLACK+DECKER-apparaat/-gereedschap (met netsnoer/snoerloos) is ontworpen om gedurende lange tijd te functioneren met een minimum aan onderhoud. Het continu naar tevredenheid functioneren hangt af van de juiste zorg voor het gereedschap en regelmatig schoonmaken.



WAARSCHUWING! Doe altijd het volgende voordat u onderhoudswerkzaamheden aan gereedschap (met snoer/snoerloos) uitvoert:

- ◆ Schakel het gereedschap/apparaat uit en trek de stekker uit het stopcontact.
- ◆ Of schakel het gereedschap/apparaat als het een afzonderlijke accu heeft, uit en neem de accu uit.
- ◆ Of laat de accu volledig ontladen, als de accu is ingebouwd en schakel het gereedschap uit.
- ◆ Trek de stekker van de lader uit het stopcontact voor u de lader schoonmaakt. Behalve regelmatige reiniging vraagt de lader geen onderhoud.
- ◆ Reinig regelmatig de ventilatieopeningen van het gereedschap/apparaat/lader met een zachte borstel of droge doek.
- ◆ Reinig de behuizing van de motor regelmatig met een vochtige doek. Gebruik niet een schurend schoonmaakmiddel of een schoonmaakmiddel op basis van een oplosmiddel.
- ◆ Open regelmatig de spankop, tik erop en verwijder zo eventueel stof uit het binnenste (indien van toepassing).

Het milieu beschermen



Gescheiden afvalinzameling. Producten en accu's waarop dit symbool is aangebracht, mogen niet bij het normale huishoudafval worden weggegooid.

Producten en accu's bevatten materialen die kunnen worden teruggewonnen of gerecycled, wat de vraag naar grondstoffen doet afnemen.

Recycle elektrische producten en accu's volgens de ter plaatse geldende bepalingen. Nadere informatie is beschikbaar op www.2helpU.com

Technische gegevens

		BCD900D1S / D1K	BCD900E2K	BCD900M1K	BCD900B
Ingangsspanning	V _{DC}	18	18	18	18
Snelheid onbelast	min ⁻¹	0 - 1800	0 - 1800	0 - 1800	0 - 1800
Slagfrequentie	min ⁻¹	0 - 6350	0 - 6350	0 - 6350	0 - 6350
Gewicht	kg	2,60	2,60	2,87	2,22
Max. boorcapaciteit					
Beton	mm	18	18	18	18
Staal	mm	13	13	13	13
Hout	mm	25	25	25	25
Batterij		BL2018	BL2518	BL4018	Niet meegeleverd
Spanning	V _{DC}	18	18	18	
Capaciteit	Ah	2,0	2,5	4,0	
type		Li-Ion	Li-Ion	Li-Ion	

Lader			
Ingangsspanning	V _{AC}	220 - 240	230
Uitgangsspanning	V _{DC}	8 - 20	18
Laadstroom	A	1.0	2.0
Opladtidit ongev.	uur	2 - 4 h	1 - 2 h

Opgeven tweecijferige geluidsemissiewaarden in overeenstemming met ISO 4871

Gemeten A-gewogen geluidsvermogeniveau, L_{WA} (1pW), in decibels = 100 dB(A)
Meetonzekerheid, K_{WA}, in decibels = 3 dB(A)

Gemeten A-gewogen geluidsvermogeniveau bij het werkstation, L_{PA} (ref. 20μPA), in decibels = 92 dB(A)
Meetonzekerheid, K_{PA}, in decibels = 3 dB(A)

Waarden vastgesteld volgens de geluidstestcode uit de EN62841-1:2015+AC:2015+A11:2022, met gebruik van de basisstandaarden EN62841-2-6:2020+A11:2020

NB - De totale gemeten geluidsemissiewaarde en de daarbij horende meetonzekerheid geven de bovengrens aan van de reeks waarden die waarschijnlijk zullen voorkomen bij metingen

Totale trillingwaarden (som triaxvector) bepaald volgens EN 62841

	de beschrijving van de werkstand 'slagboorwerking in beton'	de beschrijving van de werkstand 'werken in de beitelstand'
Vibratie-emissiewaarde a _h	14,8 m/s ²	18,4 m/s ²
Onzekerheid K	1,5 m/s ²	1,5 m/s ²
Waarden bepaald volgens EN62841-1:2015+AC:2015+A11:2022 en EN62841-2-6:2020+A11:2020		

EG Conformiteitsverklaring RICHTLIJN VOOR MACHINES



BCD900 Slagboormachine

Black & Decker verklaart dat de producten die worden beschreven onder "technische gegevens", voldoen aan:
EN62841-1:2015+AC:2015+A11:2022,
EN62841-2-6:2020+A11:2020.

Deze producten voldoen ook aan Richtlijn 2006/42/EC, 2014/30/EU en 2011/65/EU. Neem voor meer informatie contact op met Black & Decker op het volgende adres of raadpleeg de achterzijde van de handleiding.

Ondergetekende is verantwoordelijk voor de samenstelling van het technische bestand en legt deze verklaring af namens Black & Decker.

Patrick Diepenbach

Patrick Diepenbach
Algemeen directeur, Benelux
Black and Decker, 2800 Mechelen,
België
30/12/2022

Garantie

Black & Decker heeft vertrouwen in zijn producten en biedt consumenten een garantie van 24 maanden vanaf de aankoopdatum. Deze garantie vormt een aanvulling op uw wettelijke rechten en beperken deze niet. De garantie is geldig binnen het grondgebied van de lidstaten van de Europese Unie, de Europese Vrijhandelszone en het Verenigd Koninkrijk.

Voor een garantie-aanspraak moet uw aanspraak in overeenstemming zijn met de Voorwaarden en Conditie van Black & Decker en moet u een bewijs van aankoop overleggen aan de verkoper of aan een geautoriseerde reparatiemonteur. Voorwaarden en condities van de 2-jarige garantie van Black & Decker en het adres van de vestiging van het geautoriseerde reparatiecentrum bij u in de buurt, kunt u vinden op internet op www.2helpU.com, of door contact op te nemen met het Black & Decker-kantoor ter plaatse, op het adres dat in deze handleiding wordt vermeld.

Bezoek onze website www.blackanddecker.nl, waar u uw nieuwe Black & Decker-product kunt registreren en het laatste nieuws vindt over nieuwe producten en speciale aanbiedingen.

Uso previsto

Su martillo giratorio BLACK + DECKER BCD 900 está diseñado para perforar en madera, metal, plástico y albañilería, así como para conducir tornillos. Esta herramienta es sólo para los consumidores.

Instrucciones de seguridad

Advertencias de seguridad para herramientas eléctricas



¡ADVERTENCIA! Lea todas las advertencias de seguridad, instrucciones, ilustraciones y especificaciones suministradas con esta herramienta eléctrica. El incumplimiento de todas las instrucciones enumeradas a continuación puede provocar descargas eléctricas, incendios y/o lesiones graves.

Guarde todas las advertencias e instrucciones para futuras consultas. El término "herramienta eléctrica" en las advertencias se refiere a su herramienta eléctrica operada por la red eléctrica (con cable) o a su herramienta eléctrica operada por batería (inalámbrica).

1. Seguridad del área de trabajo

- a. **Mantenga limpia y bien iluminada el área de trabajo.**
Las áreas en desorden u oscuras pueden provocar accidentes.
- b. **No utilice herramientas eléctricas en entornos con peligro de explosión, como aquellos en los que haya líquidos, gases o polvos inflamables.** Las herramientas eléctricas originan chispas que pueden inflamar el polvo o los gases.
- c. **Mantenga alejados a los niños y otras personas del área de trabajo al emplear la herramienta eléctrica.**
Las distracciones pueden causar la pérdida del control de la herramienta.

2. Seguridad eléctrica

- a. **El enchufe de la herramienta eléctrica debe corresponder a la toma de corriente. No modifique nunca el enchufe de ninguna forma.**
No utilice ningún enchufe adaptador con las herramientas eléctricas conectadas a tierra (puestas a masa). Los enchufes no modificados y las tomas de corriente compatibles reducen el riesgo de descarga eléctrica.
- b. **Evite que su cuerpo toque partes conectadas o puestas a tierra tales como tuberías, radiadores, cocinas y refrigeradores.** Existe un mayor riesgo de descarga eléctrica si su propio cuerpo está conectado a tierra.

- c. **No exponga las herramientas eléctricas a la lluvia y a la humedad.** Si entra agua en una herramienta eléctrica, aumenta el riesgo de descarga eléctrica.
 - d. **Cuide el cable de alimentación. No use nunca el cable para transportar, tirar de la herramienta eléctrica o desenchufarla.** Mantenga el cable alejado del calor, aceite, bordes afilados y piezas en movimiento. Los cables dañados o enredados aumentan el riesgo de descarga eléctrica.
 - e. **Al trabajar con la herramienta eléctrica en la intemperie utilice solamente cables de prolongación homologados para su uso en exteriores.** La utilización de un cable adecuado para el uso en exteriores reduce el riesgo de descarga eléctrica.
 - f. **Si la utilización de una herramienta eléctrica en un lugar húmedo es inevitable, utilice una fuente protegida con un dispositivo de corriente residual (RCD).**
El uso de un DCR reduce el riesgo de descarga eléctrica.
- 3. Seguridad personal**
- a. **Esté atento a lo que hace y emplee la herramienta eléctrica con prudencia.**
No maneje una herramienta eléctrica cuando esté cansado o bajo los efectos de drogas, medicamentos o alcohol.
Un momento de falta de atención cuando se manejan las herramientas eléctricas puede ocasionar lesiones personales graves.
 - b. **Utilice un equipo de protección personal. Utilice siempre protección ocular.** El uso de equipo de protección, como mascarillas antipolvo, calzado antideslizante, casco o protección auditiva para las condiciones apropiadas reduce la posibilidad de sufrir lesiones corporales.
 - c. **Impida que la herramienta se ponga en marcha accidentalmente. Asegúrese de que el interruptor se encuentre en la posición de apagado antes de conectar la herramienta a la fuente de alimentación o a la batería, o de coger o transportar la herramienta.** Transportar herramientas eléctricas con el dedo puesto en el interruptor o herramientas eléctricas activadoras que tengan el interruptor encendido puede provocar accidentes.
 - d. **Retire las herramientas de ajuste o llaves fijas antes de encender la herramienta eléctrica.** Dejar una llave inglesa u otra llave puesta en una pieza en movimiento de la herramienta eléctrica puede ocasionar lesiones personales.
 - e. **Sea precavido. Mantenga un equilibrio adecuado y la estabilidad constantemente.** Esto permite un mejor control de la herramienta eléctrica en situaciones inesperadas.
 - f. **Lleve puesta una vestimenta de trabajo adecuada. No se ponga ropa suelta o joyas. Mantenga su cabello y ropa alejados de las partes móviles.** La ropa suelta, las joyas y el pelo largo pueden quedar atrapados en las piezas en movimiento.
 - g. **Siempre que sea posible utilizar unos equipos de aspiración o captación de polvo, asegúrese de que estén montados y de se utilicen correctamente.** El uso de equipo de recogida de polvo puede reducir los riesgos relacionados con el polvo.
 - h. **Evite que la familiaridad adquirida con el uso frecuente de las herramientas le haga confiarse demasiado e ignorar las normas de seguridad de las herramientas.** Un descuido puede causar lesiones graves en una fracción de segundo.
- 4. Uso y cuidado de herramientas eléctricas**
- a. **No sobrecargue la herramienta eléctrica. Use la herramienta eléctrica correcta para su trabajo.**
La herramienta eléctrica correcta funcionará mejor y con mayor seguridad si se utiliza de acuerdo con sus características técnicas.
 - b. **No utilice la herramienta eléctrica si no se puede encender y apagar con el interruptor.** Toda herramienta eléctrica que no pueda controlarse con el interruptor es peligrosa y debe ser reparada.
 - c. **Desconecte el enchufe de alimentación y / o retire la batería (si es desmontable), cambiar accesorios o guardar la herramienta.** Dichas medidas de seguridad preventivas reducen el riesgo de poner en marcha accidentalmente la herramienta eléctrica.
 - d. **Guarde las herramientas eléctricas fuera del alcance de los niños y no permita que la utilicen las personas no familiarizadas con su uso o con estas instrucciones.**
Las herramientas eléctricas son peligrosas en manos de personas no capacitadas.
 - e. **Realice el mantenimiento de sus herramientas eléctricas y accesorios. Compruebe que las piezas móviles no estén desalineadas ni atascadas, que no haya piezas rotas y cualquier otra condición que pudiera afectar al funcionamiento de la herramienta eléctrica. Si la herramienta eléctrica está dañada, llévela para que sea reparada antes de utilizarla.** Se ocasionan muchos accidentes por el mal mantenimiento de las herramientas eléctricas.
 - f. **Mantenga las herramientas de corte limpias y afiladas.** Hay menos probabilidad de que las herramientas de cortar con bordes afilados se bloqueen, y son más fáciles de controlar.
 - g. **Utilice la herramienta eléctrica, los accesorios, los útiles de la herramienta, etc. de acuerdo con estas instrucciones, y tenga en cuenta las condiciones de**

trabajo y la tarea que va a realizar.

El uso de la herramienta eléctrica para operaciones que no sean las previstas puede ocasionar una situación peligrosa.

- h. Mantenga las empuñaduras y superficies de agarre secas, limpias y libres de aceite y grasa. Las empuñaduras resbaladizas y las superficies engrasadas impiden aferrar y controlar la herramienta en situaciones imprevistas.**

5. Uso y cuidado de la herramienta de baterías

- a. Recárguela solo con el cargador especificado por el fabricante.**

Un cargador adecuado para un tipo de batería puede provocar riesgos de incendios al ser utilizado con otra batería.

- b. Utilice las herramientas eléctricas solamente con las baterías recomendadas.** El uso de otras baterías puede suponer un riesgo de incendio y lesiones.

- c. Cuando no utilice la batería, manténgala alejada de objetos de metal como clips para papel, monedas, llaves, clavos, tornillos y otros pequeños objetos metálicos que pueden realizar una conexión de un terminal a otro.**

Si se produce un cortocircuito entre los terminales de la batería, pueden ocasionarse incendios o quemaduras.

- d. En caso de uso abusivo puede salir líquido de la batería, evite el contacto. Si se produce un contacto accidental, lave con agua. Si el líquido se pone en contacto con los ojos, acuda además a un médico.** El líquido expulsado de la batería podrá provocar irritaciones o quemaduras.

6. Reparaciones

- a. Esta herramienta eléctrica solo la puede reparar personal técnico autorizado que emplee exclusivamente piezas de repuesto originales.**

Así se asegurará que se mantenga la seguridad de la herramienta eléctrica.

- b. Nunca repare la batería si está dañada.** La reparación de la batería puede ser efectuada únicamente por el fabricante o por los proveedores de servicio autorizados (se utiliza solo para herramientas de batería).

lesiones personales.

- ◆ **Sujete la herramienta eléctrica por las superficies de agarre aisladas cuando realice una operación en la que el accesorio de corte y los sujetadores puedan entrar en contacto con cables ocultos o con su propio cable.** El contacto de los accesorios de corte con un cable "cargado", puede cargar las partes metálicas expuestas de la herramienta eléctrica y producir una descarga eléctrica al operador.
- ◆ **Apuntale la herramienta correctamente antes de usarla.** Esta herramienta produce un alto par de salida y, si no se apuntala correctamente durante el funcionamiento, puede hacerle perder el control y causar lesiones personales.

Indicaciones de seguridad al utilizar brocas largas con martillos perforadores

- ◆ **Siempre comience a taladrar a baja velocidad y con la punta de la broca en contacto con la pieza de trabajo.** A velocidades más altas, la broca podría doblarse si se la deja girar libremente sin entrar en contacto con la pieza de trabajo, y podría ocasionar lesiones personales.
- ◆ **Empiece a taladrar siempre a baja velocidad y poniendo la punta de la broca en contacto con la pieza de trabajo.** A velocidades más altas, la broca podría doblarse si se la deja girar libremente sin entrar en contacto con la pieza de trabajo y causar lesiones personales.
- ◆ **Aplique una presión no demasiado excesiva y solo en línea directa con la broca.** Las brocas pueden doblarse causando rotura o pérdida de control y lesiones personales.
- ◆ **No utilice nunca un accesorio de cincelado cuando use el modo rotativo.** El accesorio se bloquearía en el material y giraría la broca.
- ◆ **Utilice fijaciones o cualquier otro método para fijar y apoyar la pieza de trabajo en una plataforma estable.** Si sostiene la pieza de trabajo con las manos o con su cuerpo, esta estará inestable y podrá hacer que usted pierda el control.
- ◆ **Antes de perforar paredes, suelos o techos, compruebe la ubicación de los cables y las tuberías.**
- ◆ **No toque la punta de la broca inmediatamente después de taladrar, ya que puede estar caliente.**
- ◆ **En este manual de instrucciones se describe el uso previsto.** La utilización de accesorios o dispositivos auxiliares o la realización de operaciones distintas a las recomendadas en este manual de instrucciones para esta herramienta pueden suponer un riesgo de lesiones corporales y/o de daños materiales.
- ◆ **Utilice una mascarilla protectora si el trabajo puede producir polvo o partículas volátiles.**

Advertencias de seguridad del martillo

¡ADVERTENCIA! Instrucciones de seguridad para todas las operaciones.

- ◆ **Lleve protección auditiva.** La exposición al ruido puede provocar pérdida de audición.
- ◆ **Utilice empuñaduras auxiliares, si se suministran con la herramienta.** La pérdida de control puede provocar

Seguridad de otras personas

- ◆ Este aparato no se destina al uso por parte de personas (incluyendo los niños) con capacidades físicas, sensoriales o mentales reducidas, o que carezcan de experiencia o del conocimiento necesario, a menos que estén supervisadas o reciban las instrucciones relativas al uso del aparato por una persona encargada de su seguridad.
- ◆ Los niños deben vigilarse en todo momento para asegurarse de que no la tomen como elemento de juego.

Riesgos residuales.

El uso de esta herramienta puede producir riesgos residuales adicionales no incluidos en las advertencias de seguridad adjuntas. Estos riesgos se pueden generar por un uso incorrecto, demasiado prolongado, etc.

El cumplimiento de las normas de seguridad correspondientes y el uso de dispositivos de seguridad no evitan ciertos riesgos residuales. Dichos riesgos incluyen:

- ◆ Lesiones producidas por el contacto con piezas móviles o giratorias.
- ◆ Lesiones producidas al cambiar cualquier pieza, hoja o accesorio.
- ◆ Lesiones producidas al usar una herramienta por un tiempo demasiado prolongado. Si utiliza una herramienta durante períodos de tiempo demasiado prolongados, asegúrese de realizar pausas con frecuencia.
- ◆ Deterioro auditivo.
- ◆ Riesgos para la salud producidos al respirar el polvo que se genera al usar la herramienta (por ejemplo: en los trabajos con madera, especialmente de roble, haya y tableros de densidad mediana).

Vibración

Los valores de emisión de vibraciones declarados en el apartado de características técnicas y en la declaración de conformidad se han calculado según un método de prueba estándar proporcionado por la norma EN62841 y podrán utilizarse para comparar una herramienta con otra. El valor de emisión de vibraciones especificado también puede utilizarse en una evaluación preliminar de la exposición.



¡ADVERTENCIA! El valor de emisión de vibraciones durante el funcionamiento real de la herramienta eléctrica puede diferir del valor declarado en función de cómo se utilice dicha herramienta. El nivel de las vibraciones puede aumentar por encima del nivel declarado.

Al evaluar la exposición a las vibraciones con el fin de determinar las medidas de seguridad, deberá tenerse en cuenta una estimación de la exposición a las vibraciones, las condiciones de uso reales y el modo de empleo de la

herramienta, así como los pasos del ciclo operativo como, por ejemplo, el número de veces que la herramienta se apaga, el tiempo que está parada y el tiempo de activación.

Etiquetas en la herramienta

Junto con el código de la fecha, en la herramienta aparecen los siguientes pictogramas:



¡ADVERTENCIA! Para reducir el riesgo de lesiones, el usuario debe leer el manual de instrucciones.



Use protectores auditivos con un martillo giratorio. La exposición ante ruidos puede provocar la pérdida de audición.



No mire fijamente la luz de funcionamiento.

III Instrucciones de seguridad adicionales para baterías y cargadores

Baterías

- Jamás trate de abrirla por ninguna razón.
- No exponga las baterías al agua.
- No exponga la batería al calor.
- No las almacene en lugares en los que la temperatura pueda superar los 40 °C.
- Realice la carga únicamente a una temperatura ambiente de entre 10 °C y 40 °C.
- Utilice únicamente el cargador suministrado con el aparato o la herramienta para realizar la carga.
- Cuando vaya a desechar la batería, siga las instrucciones facilitadas en la sección "Protección del medioambiente".
- No dañe ni deforme la batería mediante perforaciones o golpes, ya que puede suponer un riesgo de incendio y de lesiones.
- No cargue baterías dañadas.
- Es posible que se produzcan fugas en las baterías en condiciones extremas. Cuando observe que se producen fugas en el conjunto de la batería, limpie cuidadosamente el líquido con un paño. Evite el contacto con la piel.
- En caso de que se produzca contacto con la piel o los ojos, siga las instrucciones facilitadas a continuación.



¡ADVERTENCIA! El líquido de la batería puede provocar lesiones o daños materiales. En caso de contacto con la piel, lave la zona afectada con agua inmediatamente. Si se produce enrojecimiento, dolor o irritación, solicite atención médica. En caso de contacto con los ojos, lave la zona inmediatamente con agua limpia y solicite atención médica.

Cargadores

El cargador ha sido diseñado para un voltaje específico. Compruebe siempre que el voltaje de la red eléctrica

corresponda al valor indicado en la placa de características.



¡ADVERTENCIA! No intente sustituir el cargador por un enchufe convencional para la red eléctrica.

- Utilice el cargador cargar únicamente la batería de la herramienta con la que fue suministrado. Otras baterías podrían explotar y provocar lesiones y daños materiales.
- Nunca intente cargar baterías no recargables.
- Si se daña el cable de alimentación, debe hacerlo sustituir por el fabricante o por un centro de asistencia técnica autorizado de Stanley, para evitar cualquier situación de riesgo.
- Sustituya los cables defectuosos inmediatamente.
- No exponga el cargador al agua.
- No abra el cargador.
- No aplique ningún dispositivo para medir la resistencia del cargador.
- El aparato, la herramienta o la batería deben colocarse en una zona correctamente ventilada durante la carga.



El cargador ha sido concebido para utilizarse únicamente en un lugar interior.



Lea el manual de instrucciones antes de usar el producto.

Seguridad eléctrica



El cargador presenta un aislamiento doble; por lo tanto, no requiere conexión a tierra. Compruebe siempre que el voltaje de la red eléctrica corresponda al valor indicado en la placa de características. No intente sustituir el cargador por un enchufe convencional para la red eléctrica.

- ◆ Si se dañara el cable de alimentación, deberá ser sustituido por el fabricante o por un centro de asistencia técnica autorizado de BLACK+DECKER para evitar cualquier situación de riesgo.

Características

Esta herramienta incluye parte o la totalidad de estas características.

1. Interruptor de encendido/apagado
2. Selector de avance/retroceso
3. Selector de modo de perforación
4. Tope de profundidad
5. Portaherramientas
6. Empuñadura lateral
7. Luz de trabajo LED
8. Batería

Montaje

Uso



¡ADVERTENCIA! Deje que la herramienta funcione a su ritmo. No la sobrecargue.

- ◆ Cargue la batería antes de utilizarla por primera vez.

NOTA: Si la unidad se apaga repentinamente durante el uso, retire la batería y póngala a cargar para cargarla totalmente.

NOTA: Si la unidad no se reinicia después de un uso intenso, deje que la herramienta y la batería se enfríen antes de reanudar el trabajo.

Carga de la batería (Figs. A y B)

Es necesario cargar la batería antes del primer uso y cada vez que note que no dispone de suficiente potencia para las tareas que antes realizaba con facilidad. Es posible que la batería se caliente durante la carga; esto es normal y no denota ningún problema.



¡ADVERTENCIA! No cargue la batería si la temperatura ambiente es inferior a 10 °C o superior a 40 °C. La temperatura de carga recomendada es de aproximadamente 24 °C.

NOTA: El cargador no cargará la batería si la temperatura de la batería es inferior a 10 °C o superior a 40 °C aproximadamente. Deje la batería en el cargador y empezará a cargarse automáticamente cuando la celda se caliente o se enfríe.

- ◆ Para cargar la batería, inserte la batería (8) en el cargador de escritorio (9) o en el cargador de taza (11), según el modelo. La batería encaja en el cargador solo en un sentido.
- ◆ Enchufe el cargador de escritorio (9) o el cargador de taza (11) en una toma de corriente adecuada y enciéndalo.
- ◆ Cargue las baterías descargadas en el plazo de 1 semana. La duración de la batería disminuirá considerablemente si se guarda descargada.

Inserción y extracción de la batería (Fig. C, D)

- ◆ Para instalar la batería, alinéela con el receptáculo de la herramienta. Deslice la batería dentro del alojamiento y empujela hasta que encaje en su sitio.
- ◆ Para extraer la batería, pulse el botón de liberación (8a) y saque la batería del alojamiento.

Montaje de la empuñadura lateral y del tope de profundidad (Fig. E)

- ◆ Gire el mango hacia la derecha hasta que pueda deslizar la empuñadura lateral (6) hacia la parte frontal de la herramienta tal y como se muestra.
- ◆ Gire la empuñadura lateral hacia la posición que desee.
- ◆ Inserte el tope de profundidad (4) en el orificio de montaje tal y como se muestra.
- ◆ Ajuste el tope de profundidad en la posición que desee. La profundidad de perforación máxima es igual a la distancia entre la punta de la broca y el extremo frontal del tope de profundidad.
- ◆ Asegúrese de que los topes de la empuñadura (23) estén bloqueados en las costillas de la carcasa (22).
- ◆ Gire la empuñadura hacia la izquierda para apretar la empuñadura lateral.

Montaje de un accesorio (Fig. F - G)

- ◆ Limpie y engrase el vástago (12) del accesorio.
 - ◆ Introduzca el mango en el portaherramientas (5).
 - ◆ Empuje el accesorio hacia abajo y gírelo ligeramente hasta que encaje en las ranuras.
 - ◆ Tire del accesorio para comprobar si se encuentra correctamente bloqueado.
- La función de percusión requiere que el accesorio pueda moverse axialmente varios centímetros cuando se encuentra bloqueado en el soporte de la herramienta.
- ◆ Para extraer el accesorio, tire hacia atrás el manguito (13) y saque el accesorio.

Portabrocas con llave (Fig. H)

- ◆ Abra el portabrocas girando el manguito (14) en sentido antihorario.
- ◆ Inserte el mango de la broca (16) en el portabroca.
- ◆ Inserte la llave del portabrocas (17) en el orificio (15) situado en el lateral del portabrocas y gírela hacia la derecha hasta que quede apretada.



¡ADVERTENCIA! Antes de perforar paredes, suelos o techos, compruebe la ubicación de los cables y tuberías.



¡ADVERTENCIA! No coloque cinceles cuando la herramienta se encuentre en el modo de perforación.

Funcionamiento hacia delante/hacia atrás (Fig. I)

- ◆ Mueva el selector (2) para indicar la dirección que prefiera.

Encendido y apagado (Fig. I)

- ◆ Para encender la herramienta, pulse el interruptor de velocidad variable (1). La velocidad de la herramienta depende de la intensidad con la que pulse el interruptor.
- ◆ Como norma general, utilice niveles de velocidad reducidos con las brocas de gran diámetro y velocidades superiores con las brocas de diámetro más pequeño.
- ◆ Para apagar la herramienta, suelte el interruptor de velocidad variable.

Selección del modo de funcionamiento (Fig. J)

La herramienta puede utilizarse en tres modos de funcionamiento.

- ◆ Para utilizar el selector de modo de funcionamiento (3), pulse el botón de desbloqueo (20) y gire el selector hasta la posición requerida, tal y como se indica mediante los símbolos.

Taladrado

- ◆ Para perforar acero, madera y plásticos y para atornillar, ajuste el selector de modo de funcionamiento (3) en la **T** posición (19).

Perforación a percusión

- ◆ Para perforar a percusión la mampostería y el hormigón, ajuste el selector de modo (3) en la posición **T** **1** (18). Al percudir, la herramienta no debe rebotar y debe desplazarse con suavidad. Si es necesario, aumente la velocidad.

Percusión

- ◆ Para percudir con el bloqueo del eje y para cincelar y astillar de manera suave, ajuste el selector de modo de funcionamiento (3) en la posición **T** (21).
- ◆ Al cambiar de la perforación a percusión al cincelado, gire el cincel hasta la posición deseada. Si encuentra resistencia durante el cambio de modo, gire el cincel ligeramente para acoplar el bloqueo del eje.

Accesorios

El funcionamiento de la herramienta dependerá del accesorio que se utilice. Los accesorios de BLACK+DECKER se han fabricado siguiendo estándares de alta calidad y se han diseñado para mejorar el funcionamiento de la herramienta. Con estos accesorios, sacará el máximo provecho a su herramienta.

Mantenimiento

Su aparato o herramienta con o sin cable de BLACK+DECKER ha sido diseñada para funcionar durante un largo período de tiempo con un mantenimiento mínimo. El funcionamiento satisfactorio y continuo depende del buen cuidado de la herramienta y de una limpieza frecuente.



¡ADVERTENCIA! Antes de realizar el mantenimiento de herramientas eléctricas con o sin cables:

- ◆ Apague y desenchufe el aparato o herramienta.
- ◆ Limpie periódicamente las ranuras de ventilación de la herramienta, aparato o cargador con un cepillo suave o un paño seco.
- ◆ Limpie periódicamente la carcasa del motor con un paño húmedo. No utilice limpiadores abrasivos o a base de disolventes.
- ◆ Abra regularmente el portabrocas y golpéelo suavemente para eliminar los restos de polvo que haya en su interior (si se encuentra colocado).

Protección del medioambiente



Recogida selectiva. Los productos y las baterías marcadas con este símbolo no se deben eliminar con los residuos domésticos normales.

Los productos y las baterías que contienen materiales que se puedan recuperar o reciclar reducen la demanda de materias primas.

Recicle los productos eléctricos y las baterías de conformidad con la normativa local. Puede obtener más información en www.2helpU.com

Datos técnicos

		BCD900D1S / D1K	BCD900E2K	BCD900M1K	BCD900B
Voltaje de entrada	V_{CC}	18	18	18	18
Velocidad en vacío	min.: 1	0 - 1800	0 - 1800	0 - 1800	0 - 1800
Índice de impactos	min.: 1	0 - 6350	0 - 6350	0 - 6350	0 - 6350
Peso	kg	2.60	2.60	2.87	2.22
Capacidad máxima de perforación					
Hormigón	mm	18	18	18	18
Acero	mm	13	13	13	13
Madera	mm	25	25	25	25
Batería		BL2018	BL2518	BL4018	No suministrada
Tensión	V_{CC}	18	18	18	
Capacidad	Ah	2.0	2.5	4.0	
tipo		Litio-ión	Litio-ión	Litio-ión	

Cargador			
Voltaje de entrada	V_{CA}	220 - 240	230
Voltaje de salida	V_{CC}	8 - 20	18
Corriente	A	1.0	2.0
Tiempo aproximado de carga	Horas	2 - 4 h	1 - 2 h

Valores de emisión de ruido de doble número declarados de conformidad con ISO 4871	
Nivel de potencia acústica ponderada A medida, L_{WA} (ref. 1pW), en decibelios = 100 dB(A) Incertidumbre, K_{WA} en decibelios = 3 dB(A)	
Nivel de potencia acústica ponderada A medida en el puesto de trabajo, L_{PA} (ref. 20µPA), en decibelios = 92 dB(A) Incertidumbre, K_{PA} en decibelios = 3 dB(A)	
Valores determinados de acuerdo con el código de prueba de ruido dado en EN62841-1:2015+AC:2015+A11:2022, utilizando las normas básicas EN62841-2-6:2020+A11:2020.	
NOTE- La suma de un valor de emisión de ruido medido y su incertidumbre asociada representa un límite superior del rango de valores que es probable que se produzca en las mediciones	

Valores totales de vibración (suma vectorial triaxial) determinada según la norma EN 62841		
	Descripción del modo de trabajo: "perforación de percusión en hormigón"	Descripción del modo de trabajo "Cincelado"
Valor de emisión de vibraciones a_h	14.8 m/s ²	18.4 m/s ²
Incertidumbre K	1.5 m/s ²	1.5 m/s ²
Valores determinados de acuerdo con la norma EN62841-1:2015+AC:2015+A11:2022 and EN62841-2-6:2020+A11:2020		

Declaración de conformidad CE

DIRECTIVA DE MÁQUINAS



Taladro percutor BCD900

Black & Decker declara que los productos descritos en "Datos técnicos" cumplen las siguientes normas:

EN62841-1:2015+AC:2015+A11:2022,
EN62841-2-6:2020+A11:2020.

Estos productos también cumplen las directivas 2006/42/CE, 2014/30/UE y 2011/65/UE. Para más información, póngase en contacto con Black & Decker a través de la siguiente dirección o consulte la contracubierta del manual.

El abajo firmante es responsable de la elaboración del archivo técnico y realiza esta declaración en nombre de Black & Decker.

Patrick Diepenbach

Patrick Diepenbach
Gerente general, Benelux
Black and Decker, 2800 Mechelen,
Bélgica
30/12/2022

Garantía

Black & Decker confía en la calidad de sus productos y ofrece a los consumidores una garantía de 24 meses a partir de la fecha de compra. Esta garantía es adicional a sus derechos legales y no los menoscaba en modo alguno.

La garantía es válida dentro de los territorios de los Estados miembros de la Unión Europea, el Área Europea de Libre Comercio y el Reino Unido.

Para reclamar la garantía, la reclamación se debe presentar de conformidad con las condiciones de Black & Decker. Tendrá que adjuntar un justificante de compra al vendedor o al agente técnico autorizado. Las condiciones de la garantía de 2 años de Black & Decker y la ubicación de su agente técnico autorizado más cercano se pueden obtener en Internet en www.2helpU.com o poniéndose en contacto con su oficina local de Black & Decker en la dirección que se indica en este manual.

Visite nuestro sitio web www.blackanddecker.co.uk para registrar su nuevo producto Black & Decker y recibir noticias sobre nuevos productos y ofertas especiales.

Utilização pretendida

Seu martelo rotativo BLACK+DECKER BCD 900 foi projetado para perfuração em madeira, metal, plásticos e alvenaria, bem como para fins de aparafusamento. Esta ferramenta destina-se apenas ao uso do consumidor.

Instruções de segurança

Avisos de segurança gerais para ferramentas eléctricas



ATENÇÃO! Leia todos os avisos de segurança, instruções, ilustrações e especificações fornecidas com esta ferramenta eléctrica. O não cumprimento dos seguintes avisos e instruções pode resultar em choque eléctrico, incêndio e/ou ferimentos graves.

Guarde todos os avisos e instruções para futura referência. A expressão "ferramenta eléctrica" utilizada a seguir refere-se a ferramentas eléctricas com ligação à corrente eléctrica (com cabo) ou com bateria (sem fios).

1. Segurança na área de trabalho

- a. **Mantenha a área de trabalho limpa e bem iluminada.** As áreas desorganizadas ou escuras são propensas a acidentes.
- b. **Não trabalhe com ferramentas eléctricas em áreas com risco de explosão, nas quais se encontrem líquidos, gases ou poeiras inflamáveis.** As ferramentas eléctricas criam faíscas que podem inflamar estas poeiras ou vapores.
- c. **Mantenha crianças e outras pessoas afastadas durante a utilização da ferramenta eléctrica.** As distrações podem levar à perda do controlo da ferramenta.

2. Segurança eléctrica

- a. **As fichas da ferramenta eléctrica devem encaixar na tomada. Nunca modifique a ficha de forma alguma. Não utilize fichas adaptadoras com ferramentas eléctricas ligadas à terra.** As fichas não modificadas e as tomadas compatíveis reduzem o risco de choque eléctrico.
- b. **Evite que o corpo entre em contacto com superfícies ligadas à terra, como tubos, radiadores, fogões e frigoríficos.** Se o seu corpo estiver "ligado" à terra, o risco de choque eléctrico é maior.
- c. **As ferramentas eléctricas não podem ser expostas a chuva nem humidade.** A entrada de água numa ferramenta eléctrica aumenta o risco de choque eléctrico.
- d. **Manuseie o cabo com cuidado. Nunca o utilize para transportar, puxar ou desligar a**

ferramenta eléctrica. Mantenha o cabo afastado de fontes de calor, substâncias oleosas, arestas afiadas ou peças móveis. Os cabos danificados ou emaranhados aumentam o risco de choque eléctrico.

- e. **Quando trabalhar com uma ferramenta eléctrica ao ar livre, utilize uma extensão adequada para esse fim.** A utilização de um cabo adequado para uso ao ar livre reduz o risco de choque eléctrico.
- f. **Se for inevitável trabalhar com uma ferramenta eléctrica num local húmido, utilize um dispositivo de corrente residual (DCR).**
A utilização de um DCR reduz o risco de choque eléctrico.

3. Segurança pessoal

- a. **Mantenha-se atento, observe o que está a fazer e seja prudente quando trabalhar com a ferramenta eléctrica. Não utilize uma ferramenta eléctrica quando estiver cansado ou sob o efeito de drogas, álcool ou medicamentos.** Um momento de distração durante a utilização de ferramentas eléctricas pode resultar em ferimentos graves.
- b. **Utilize equipamento de protecção individual. Use sempre protecção ocular.** O equipamento de protecção, como, por exemplo, uma máscara contra o pó, sapatos de segurança antiderrapantes, um capacete de segurança ou uma protecção auditiva, usado nas condições apropriadas, reduz o risco de ferimentos.
- c. **Evite arranques involuntários. Certifique-se de que o gatilho está desligado antes de ligar a ferramenta à corrente eléctrica e/ou as baterias, e antes de levantar ou transportar a ferramenta.** Se mantiver o dedo sobre o gatilho quando transportar ferramentas eléctricas ou se as ligar à fonte de alimentação com o gatilho ligado, isso pode dar origem a acidentes.
- d. **Retire eventuais chaves de ajuste ou chaves de fendas antes de ligar a ferramenta eléctrica.** Uma chave de fenda ou de ajuste fixada numa peça rotativa da ferramenta eléctrica pode causar ferimentos.
- e. **Não tente chegar a pontos fora do alcance. Mantenha sempre os pés bem apoiados e um equilíbrio apropriado.** Desta forma, será mais fácil controlar a ferramenta eléctrica em situações inesperadas.
- f. **Use vestuário adequado. Não use roupa larga ou jóias. Mantenha seu cabelo e roupas longe de partes móveis.** As roupas largas, as jóias ou o cabelo comprido podem ficar presos nestas peças.
- g. **Se for prevista a montagem de dispositivos de extracção e recolha de poeiras, assegure-se de que estão ligados e que são utilizados de forma correcta.** A utilização de dispositivos de extracção de partículas pode reduzir os riscos relacionados com as mesmas.
- h. **Não permita que o facto de estar familiarizado com a utilização frequente das ferramentas o torne**

complacente e ignore os princípios de segurança da ferramenta. Uma acção irreflectida pode causar ferimentos numa fracção de segundos.

4. Utilização e manutenção da ferramenta eléctrica

- a. **Não sobrecarregue a ferramenta eléctrica. Utilize a ferramenta eléctrica correta para o seu trabalho.**
A ferramenta eléctrica adequada irá efectuar o trabalho de um modo mais eficiente e seguro se for utilizada de acordo com a capacidade para a qual foi concebida.
- b. **Não utilize a ferramenta eléctrica se não conseguir ligar ou desligar o gatilho.** Qualquer ferramenta eléctrica que não possa ser controlada através do gatilho é perigosa e tem de ser reparada.
- c. **Desconecte o plugue da fonte de alimentação e/ou remova a bateria, se destacável, trocar acessórios ou guardar ferramentas eléctricas.** Estas medidas de segurança preventivas reduzem o risco de ligar a ferramenta eléctrica acidentalmente.
- d. **Mantenha as ferramentas eléctricas que não estiverem a ser utilizadas fora do alcance das crianças. Não permita que a ferramenta eléctrica seja utilizada por pessoas não familiarizadas com a mesma ou que não tenham lido estas instruções.**
As ferramentas eléctricas são perigosas nas mãos de pessoas que não possuam as qualificações necessárias para as manusear.
- e. **Proceda à manutenção das ferramentas eléctricas. Verifique se as partes móveis estão desalinhadas ou bloqueadas, se existem peças partidas ou qualquer outra situação que possa afetar o funcionamento das ferramentas eléctricas. Se a ferramenta eléctrica estiver danificada, esta não deve ser utilizada até que seja reparada.** Muitos acidentes têm como principal causa ferramentas eléctricas com uma manutenção insuficiente.
- f. **Mantenha as ferramentas de corte afiadas e limpas.** As ferramentas de corte sujeitas a uma manutenção adequada, com arestas de corte afiadas, bloqueiam com menos frequência e controlam-se com maior facilidade.
- g. **Utilize a ferramenta eléctrica, os acessórios e as peças de ferramenta, etc., de acordo com estas instruções, considerando as condições de trabalho e a tarefa a ser executada.**
A utilização da ferramenta eléctrica para fins diferentes dos previstos pode resultar em situações perigosas.
- h. **Mantenha os cabos e as pegas de fixação secos, limpos e sem qualquer óleo ou gordura. Se o punho estiver escorregadio e as superfícies de fixação tiverem gordura, isso não permite um manuseamento e controlo seguros da ferramenta em situações inesperadas.**

5. Utilização e cuidados a ter com a ferramenta com baterias

- a. **Carregue apenas com o carregador especificado pelo fabricante.**
Um carregador adequado para um tipo de bateria pode causar um incêndio se for utilizado com outra bateria.
- b. **Utilize ferramentas eléctricas apenas com baterias específicas.** A utilização de outras baterias pode dar origem a risco de danos e incêndio.
- c. **Quando não utilizar as baterias, mantenha-as afastadas de outros objectos metálicos, tais como cliques para papel, moedas, chaves, pregos, parafusos ou outros pequenos objectos metálicos que permitam fazer a ligação de um terminal para outro.** O curto-circuito de terminais das baterias pode causar queimaduras ou incêndio.
- d. **Em condições abusivas, pode derramar líquido das baterias, devendo evitar o contacto. Se tocar acidentalmente no líquido, lave bem com água. Se o líquido entrar em contacto com os olhos, consulte um médico.** O líquido derramado da bateria pode causar irritação ou queimaduras.

6. Assistência

- a. **A ferramenta eléctrica deve ser reparada por pessoal qualificado e só devem ser colocadas peças sobresselentes idênticas.** Desta forma, é garantida a segurança da ferramenta eléctrica.
- b. **Nunca repare la batería si está dañada.** La reparación de la batería puede ser efectuada únicamente por el fabricante o por los proveedores de servicio autorizados (se utiliza solo para herramientas de batería).

Avisos de segurança do martelo



ATENÇÃO ! Instruções de segurança para todas as operações.

- ◆ **Use protecção auricular.** A exposição ao ruído pode causar perda auditiva.
- ◆ **Use alças auxiliares, se fornecidas com a ferramenta.** A perda de controlo pode causar lesões pessoais.
- ◆ **Segure a ferramenta eléctrica pelas superfícies isoladas, ao realizar uma operação em que o acessório de corte e os fixadores possam entrar em contato com fiação oculta ou seu próprio cabo.** O acessório de corte que entre em contacto com um fio com tensão eléctrica pode fazer com que as peças de metal expostas da ferramenta conduzam electricidade e electrocitem o utilizador.
- ◆ **Fixe bem a ferramenta antes de utilizá-la.** Esta ferramenta produz um binário de saída elevado. Se não fixar bem a ferramenta durante a operação, pode ocorrer perda de controlo, o que pode causar ferimentos.

Instruções de segurança ao usar brocas longas com martelos rotativos

- ◆ **Sempre comece a furar em baixa velocidade e com a ponta da broca em contacto com a peça de trabalho.** A velocidades mais elevada, a broca pode ficar dobrada se rodar livremente sem tocar na peça, podendo causar ferimentos.
- ◆ **Inicie sempre a perfuração a uma velocidade reduzida e com a ponta da broca em contacto com a peça.** A velocidades mais elevadas, a broca pode ficar dobrada se rodar livremente sem tocar na peça, o que pode causar ferimentos.
- ◆ **Aplique pressão apenas em linha directa com a broca e não aplique pressão excessiva.** As brocas podem ficar dobradas e causar rutura ou perda de controlo, bem como ferimentos.
- ◆ **Nunca utilize um acessório de cinzel no modo rotativo.** O acessório irá bloquear o material e fazer rodar a broca.
- ◆ **Utilize grampos ou outro sistema prático para apoiar e fixar a peça numa plataforma estável.** Segurar a peça com a mão ou contra o corpo pode causar instabilidade e perda de controlo.
- ◆ Antes de perfurar paredes, tectos ou chãos, verifique a localização de cablagem e dos tubos.
- ◆ Evite tocar na ponta da broca logo após a perfuração, porque pode estar quente.
- ◆ A utilização pretendida está descrita neste manual de instruções. A utilização de qualquer acessório ou a realização de qualquer operação com esta ferramenta que não se inclua no presente manual de instruções pode causar ferimentos e/ou danos materiais.
- ◆ Utilize uma máscara de rosto ou de protecção contra poeiras sempre que a utilização possa produzir poeiras ou partículas em suspensão.

Segurança de terceiros

- ◆ Este aparelho não deve ser utilizado por pessoas (incluindo crianças) com capacidades físicas, sensoriais ou mentais reduzidas ou com falta de experiência e conhecimentos, a menos que sejam acompanhadas ou tenham recebido formação sobre a utilização deste equipamento por uma pessoa responsável pela sua segurança.
- ◆ As crianças devem ser vigiadas para que não mexam no equipamento.

Riscos residuais.

Podem surgir riscos residuais adicionais durante a utilização da ferramenta, que podem não constar nos avisos de segurança incluídos. Estes riscos podem resultar de má utilização, uso prolongado, etc.

Mesmo com o cumprimento dos regulamentos de segurança

relevantes e a implementação de dispositivos de segurança, alguns riscos residuais não podem ser evitados. Estes incluem:

- ◆ Ferimentos causados pelo contacto com peças em rotação/movimento.
- ◆ Ferimentos causados durante a troca de peças, lâminas ou acessórios.
- ◆ Ferimentos causados pela utilização prolongada de uma ferramenta. Se utilizar uma ferramenta durante períodos prolongados, certifique-se de que faz pausas regularmente.
- ◆ Danos auditivos.
- ◆ Problemas de saúde causados pela inalação de poeiras resultantes da utilização da ferramenta (exemplo: trabalhos em madeira, especialmente carvalho, faia e MDF).

Vibração

Os valores de emissão de vibração declarados na secção de dados técnicos e na declaração de conformidade foram medidos de acordo com o método de teste padrão fornecido pela norma EN62841 e podem ser utilizados para comparar ferramentas. O valor de emissão de vibração declarado pode ainda ser utilizado numa avaliação preliminar de exposição.



ATENÇÃO ! O valor de emissão de vibração durante a utilização real da ferramenta eléctrica pode ser diferente do valor declarado, dependendo da forma como a ferramenta é utilizada. O nível de vibração pode aumentar acima do nível indicado.

Quando avaliar a exposição a vibrações para determinar as medidas de segurança a tomar, deve ser considerada uma estimativa de exposição a vibrações, as condições reais de utilização e o modo de utilização da ferramenta, incluindo ainda todas as partes do ciclo de funcionamento, como os períodos de inatividade e espera da ferramenta, além do tempo de funcionamento.

Etiquetas colocadas na ferramenta

A ferramenta apresenta os seguintes pictogramas de aviso juntamente com o código de data:



Atenção! Para reduzir o risco de ferimentos, o utilizador deve ler o manual de instruções.



Use protetores auriculares com martelos rotativos. A exposição ao ruído pode causar perda auditiva



Não olhe fixamente para a luz de funcionamento

Instruções de segurança adicionais para baterias e carregadores.

Baterias

- Nunca tente abrir a bateria, seja qual for o motivo.
- Não exponha a bateria à água.
- Não exponha a bateria ao calor.
- Não armazene em locais onde a temperatura possa exceder os 40 °C.
- Carregue apenas a temperaturas ambiente entre 10 °C e 40 °C.
- Carregue apenas com o carregador fornecido com o equipamento/ferramenta.
- Ao eliminar as baterias, siga as instruções indicadas na secção "Protecção do ambiente".
- Não danifique a bateria por perfuração ou impacto, pois poderá originar risco de ferimentos e incêndio.
- Não carregue baterias danificadas.
- Em condições extremas, pode ocorrer uma fuga nas baterias. Se detetar a fuga de líquido das pilhas, limpe o líquido cuidadosamente com um pano. Evite o contacto com a pele.
- Em caso de contacto com a pele ou com os olhos, siga as instruções seguintes.



ATENÇÃO! O electrólito da bateria pode causar ferimentos ou danos materiais. Em caso de contacto com a pele, enxague imediatamente com água. Em caso de vermelhidão, dor ou irritação, contacte um médico. Em caso de contacto com os olhos, enxague imediatamente com água limpa e procure ajuda médica.

Carregadores

O carregador foi concebido para uma tensão específica. Verifique sempre se a tensão de alimentação corresponde à tensão indicada na placa sinalética.



ATENÇÃO! Nunca tente substituir a unidade do carregador por uma tomada de alimentação normal.

- Utilize o carregador apenas para carregar a bateria na respectiva ferramenta. Outras baterias podem rebentar, provocando ferimentos e danos.
- Nunca tente carregar baterias não recarregáveis.
- Se o cabo de alimentação estiver danificado, deve ser substituído pelo fabricante ou por um centro de assistência autorizado para evitar acidentes.
- Substitua os cabos defeituosos imediatamente.
- Não exponha o carregador à água.
- Não abra o carregador.
- Não manipule o interior do carregador.
- O equipamento/ferramenta/bateria deve ser colocado numa área com boa ventilação durante o carregamento.



O carregador deverá ser utilizado apenas em espaços interiores.



Antes da utilização, leia o manual de instruções.

Segurança eléctrica



O carregador tem isolamento duplo. Por esse motivo, não necessita de ligação à terra. Verifique sempre se a tensão de alimentação corresponde à tensão indicada na placa sinalética. Nunca tente substituir a unidade do carregador por uma tomada de alimentação normal.

- ◆ Se o cabo de alimentação estiver danificado, terá de ser substituído pelo fabricante ou por um centro de assistência autorizado da BLACK+DECKER para evitar acidentes

Componentes

Esta ferramenta inclui algumas ou todas as funcionalidades seguintes.

1. Interruptor para ligar/desligar
2. Botão selector de avanço/recuo
3. Selector de modo de perfuração
4. Batente de profundidade
5. Estojo de ferramentas
6. Pega lateral
7. Luz de trabalho LED
8. Bateria

Montagem

Utilização



ATENÇÃO! Não altere o ritmo de funcionamento da ferramenta. Não sobrecarregue.

- ◆ Carregue a bateria por completo antes da primeira utilização.

NOTA: Se a unidade se desligar de repente durante a utilização, retire a bateria e coloque-a a carregar por completo.

NOTA: Se a unidade não for iniciada após um período de utilização intensiva, aguarde até a ferramenta e a bateria arrefecerem antes de retomar o trabalho.

Carregar a bateria (Fig. A, B)

A bateria tem de ser carregada antes da primeira utilização e sempre que não conseguir produzir energia suficiente em trabalhos anteriormente feitos sem dificuldade. As baterias podem aquecer durante o carregamento. Isto é normal e não indica um problema.



ATENÇÃO! Não carregue a bateria a temperaturas ambiente inferiores a 10 °C ou superiores a 40 °C. Temperatura de carregamento recomendada: aproximadamente 24 °C.

NOTA: O carregador não irá carregar a bateria se a temperatura das células for inferior a 10 °C ou superior a 40 °C.

A bateria não deve ser retirada do carregador para que este comece a carregar automaticamente quando a temperatura das células aquecer ou arrefecer.

- ◆ Para carregar a bateria, insira a bateria (8) na base do carregador (9) ou no carregador circular (11), consoante o modelo. A bateria apenas pode ser colocada no carregador de uma forma.
- ◆ Ligue a base do carregador (9) ou o carregador circular (11) numa fonte de alimentação adequada e ligue-o.
- ◆ As baterias descarregadas devem ser carregadas no intervalo de 1 semana. A vida útil de uma bateria diminuirá consideravelmente se for guardada sem carga.

Colocar e remover a bateria (Fig. C, D)

- ◆ Para colocar a bateria, alinhe-a com o receptáculo na ferramenta. Encaixe a bateria no receptáculo e empurre-a até ficar bem encaixada.
- ◆ Para retirar a bateria, pressione o botão de desbloqueio (8a) e retire a bateria do receptáculo.

Ajustar o cabo lateral e o batente de profundidade (Fig. E)

- ◆ Rode o punho para a direita até conseguir deslizar o cabo lateral (6) para a frente da ferramenta, conforme indicado.
- ◆ Rode o cabo lateral para a posição pretendida.
- ◆ Introduza o batente de profundidade (4) no orifício de inserção, tal como mostrado.
- ◆ Ajuste o batente de profundidade para a posição pretendida. A profundidade de perfuração máxima é igual à distância entre a ponta da broca e a parte da frente do limitador de profundidade.
- ◆ Verifique se os linguetes do cabo (23) estão fixados nas estrias da caixa (22).
- ◆ Aperte o cabo lateral, rodando o punho para a esquerda.

Inserir um acessório (Fig. F - G)

- ◆ Limpe e lubrifique a haste (12) do acessório.
- ◆ Insira a haste no porta-ferramentas (5).
- ◆ Empurre o acessório e rode-o ligeiramente até encaixar nas ranhuras.
- ◆ Verifique se o acessório está devidamente engatado. A função de perfuração requer que o acessório possa mover-se axialmente vários centímetros quando engatado no suporte da ferramenta.
- ◆ Para remover o acessório, retire o manga (13) e puxe o acessório.

Mandril com chave (Fig. H)

- ◆ Abra o mandril rodando a manga (14) no sentido contrário ao dos ponteiros do relógio.
- ◆ Coloque o veio de pontas (16) no mandril.
- ◆ Coloque a chave do mandril (17) no orifício (15) no lado do mandril e rode para a direita até ficar apertada.



ATENÇÃO ! Antes de perfurar as paredes, tectos ou chãos, verifique a localização de cablagem e tubos.



ATENÇÃO ! Não aplique acessórios de cinzelagem quando a ferramenta estiver no modo de perfuração.

Acção de avanço/recuo (Fig. I)

- ◆ Mova o botão selector (2) para escolher a direcção pretendida.

Ligar e desligar (Fig. I)

- ◆ Para ligar a ferramenta, carregue no interruptor de velocidade variável (1). A velocidade da ferramenta depende da pressão que exercer no interruptor.
- ◆ Em regra geral, utilize velocidades baixas para brocas de diâmetros superiores e velocidades altas para brocas de diâmetros inferiores.
- ◆ Para desligar a ferramenta, solte o interruptor de velocidade variável.

Seleccionar o modo de funcionamento (Fig. J)

A ferramenta pode ser utilizada em três modos de funcionamento.

- ◆ Para utilizar o botão selector de modo de funcionamento (3), pressione o botão de desbloqueio (20) e rode o botão selector para a posição pretendida, conforme indicado pelos símbolos.

Perfuração

- ◆ Para perfurar aço, madeira e plástico e para aparafusar, coloque o botão selector do modo de funcionamento (3) na posição **1** (19).

Perfuração de martelo

- ◆ Para perfurar alvenaria e betão com o martelo, coloque o botão selector de modo de perfuração (3) na posição **T 1** (18). Durante a perfuração, a ferramenta não deve balançar e deve funcionar de forma suave. Se necessário, aumente a velocidade.

Perfuração

- ◆ Para perfurar com o bloqueio do eixo e para burilagem ligeira e eliminação de lascas, coloque o botão selector de modo (3) na posição **T** (21).
- ◆ Ao passar de perfuração para eliminação de lascas, coloque o bisel na posição pretendida. Se sentir resistência na mudança de modo, rode ligeiramente o bisel para encaixar o bloqueio do eixo.

Acessórios

O desempenho da ferramenta depende dos acessórios utilizados. Os acessórios Stanley BLACK+DECKER são concebidos segundo normas de elevada qualidade e concebidos para melhorar o desempenho da ferramenta. Ao

utilizar estes acessórios, vai obter o melhor proveito da ferramenta.

Manutenção

O seu equipamento/ferramenta com/sem fios BLACK+DECKER foi concebido para funcionar durante muito tempo, com um mínimo de manutenção. Uma utilização continuamente satisfatória depende de uma manutenção apropriada da ferramenta e de uma limpeza regular.



ATENÇÃO! Antes de proceder a qualquer ação de manutenção em ferramentas eléctricas com cabo / sem fios:

- ◆ Desligue e desligue o aparelho / ferramenta.
- ◆ Ou desligue e retire a bateria do aparelho / ferramenta se o aparelho/ferramenta tiver uma bateria separada.
- ◆ Ou executar a bateria para baixo completamente se for integral e, em seguida, desligar.
- ◆ Desligue o carregador antes de limpá-lo. O seu carregador faz não exigem qualquer manutenção além da limpeza regular.
- ◆ Limpe regularmente as ranhuras de ventilação do seu aparelho / ferramenta / carregador usando uma escova macia ou pano seco.
- ◆ Limpe regularmente a carcaça do motor usando um pano úmido. Fazer não utilizar qualquer limpador abrasivo ou à base de solvente.
- ◆ Abra regularmente o mandril e toque nele para remover qualquer poeira do interior (quando instalado).

Protecção do ambiente



Faça uma recolha de lixo seletiva. Os produtos e as baterias assinalados com este símbolo não devem ser eliminados juntamente com o lixo doméstico normal.

Os produtos e pilhas contêm materiais que podem ser recuperados ou reciclados, reduzindo a necessidade de matérias-primas.

Recicle os produtos eléctricos e as baterias de acordo com as disposições locais. Estão disponíveis mais informações em www.2helpU.com

Dados técnicos

		BCD900D1S / D1K	BCD900E2K	BCD900M1K	BCD900B
Tensão de entrada	V_{cc}	18	18	18	18
Velocidade sem carga	min. v_t	0 - 1800	0 - 1800	0 - 1800	0 - 1800
Níveis de percussão	min. v_t	0 - 6350	0 - 6350	0 - 6350	0 - 6350
Peso	kg	2,60	2,60	2,87	2,22

		BCD900D1S / D1K	BCD900E2K	BCD900M1K	BCD900B
Capacidade máx. de perfuração					
Betão	mm	18	18	18	18
Aço	mm	13	13	13	13
Madeira	mm	25	25	25	25
Bateria		BL2018	BL2518	BL4018	Não fornecida
Tensão	V_{cc}	18	18	18	
Capacidade	Ah	2,0	2,5	4,0	
tipo		lões de lítio	lões de lítio	lões de lítio	

Carregador			
Tensão de entrada	V_{ca}	220 - 240	230
Voltagem de Saída	V_{cc}	8 - 20	18
Corrente	A	1.0	2.0
Tempo aproximado de carga	hora	2 - 4 h	1 - 2 h

Valores declarados de emissão de ruído de dois dígitos em conformidade com a norma ISO 4871

Nível de potência acústica medida de ponderação A, L_{wa} (ref. 1pW), em decibéis = 100 dB(A)
Variabilidade, K_{wa} , em decibéis = 3 dB(A)

Nível de pressão acústica de emissão de ruído de ponderação A medida na estação de trabalho, L_{pa} (ref. 20μPA), em decibéis = 92 dB(A) Variabilidade, K_{pa} , em decibéis = 3 dB(A)

Valores determinados de acordo com o código de ensaio de ruído indicado em EN62841-1:2015+AC:2015+A11:2022, de acordo com as normas básicas EN62841-2-6:2020+A11:2020

NOTA: a soma do valor de emissão de ruído emitido e a variabilidade associada representa um limite superior do intervalo de valores, que pode ocorrer nas medições

Valores totais de vibração (soma vectores triax) determinados em conformidade com EN 62841

	descrição do modo de trabalho "perfurar com martelo em betão"	descrição do modo de trabalho "cinzagem"
Valor de emissão de vibração a_h	14,8 m/s ²	18,4 m/s ²
K de variabilidade	1,5 m/s ²	1,5 m/s ²
Valores determinados de acordo com as normas EN62841-1:2015+AC:2015+A11:2022 e EN62841-2-6:2020+A11:2020		

Declaração de conformidade CE

DIRECTIVA "MÁQUINAS"



BCD900 Berbequim de percussão

A Black & Decker declara que os produtos descritos nos "dados técnicos" estão em conformidade com:
EN62841-1:2015+AC:2015+A11:2022,
EN62841-2-6:2020+A11:2020

Estes produtos estão também em conformidade com as directivas 2006/42/CE, 2014/30/UE e 2011/65/UE. Para obter mais informações, contacte a Black & Decker através da morada indicada em seguida ou consulte o verso do manual.

O abaixo-assinado é responsável pela compilação do ficheiro técnico e faz esta declaração em nome da Black & Decker.

Patrick Diepenbach

Patrick Diepenbach
Director Geral, Benelux
Black and Decker, 2800 Mechelen,
Bélgica
30/12/2022

Garantia

A Black & Decker confia na qualidade dos seus produtos e oferece aos clientes uma garantia de 24 meses a partir da data de compra. Esta garantia é um complemento dos seus direitos estabelecidos por lei, não os prejudicando de forma alguma. A garantia é válida nos territórios dos Estados-Membros da União Europeia, da Zona Europeia de Comércio Livre e do Reino Unido.

Para accionar a garantia, esta deve estar em conformidade com os termos e condições da Black & Decker e terá de apresentar comprovativos de compra ao vendedor ou a um técnico de reparação autorizado. Os termos e condições da garantia de 2 anos da Black & Decker e a localização do agente de reparação autorizado mais próximo podem ser obtidos na Internet em www.2helpU.com ou contactando uma filial da Black & Decker, cuja morada está indicada neste manual.

Visite o nosso Website www.blackanddecker.co.uk para registar o novo produto Black & Decker e manter-se atualizado relativamente a novos produtos e ofertas especiais.

Avsedd användning

Din BLACK+DECKER BCD 900 borrhammare har utformats för borring i trä, metall, plast och murverk samt för skruvdragning. Detta verktyg är endast avsett för konsumentbruk.

Säkerhetsinstruktioner

Allmänna säkerhetsanvisningar för elverktyg



WARNING ! Läs alla säkerhetsvarningar, instruktioner, illustrationer och specifikationer som levereras med detta elverktyg. Underlåtenhet att följa alla instruktioner som anges nedan kan resultera i elektriska stötter, brand och/eller allvariga skador.

Spara alla säkerhetsföreskrifter och anvisningar för framtida bruk. Termen "elverktyg" i varningarna syftar på ditt nätdrivna (sladd) elverktyg eller batteridrivna (sladdlösa) elverktyg.

1. Säkerhet på arbetsplatsen

- Se till att arbetsområdet är rent och väl belyst.**
Belamrade och mörka områden inbjuder till olyckor.
- Använd inte elverktyget i explosionsfarlig omgivning, t.ex. i närheten av brännbara vätskor, gaser eller damm.** Elverktyg skapar gnistor som kan antända damm eller ångor.
- Håll barn och åskådare på avstånd vid arbete med elverktyget.** Distractioner kan göra att du förlorar kontrollen.

2. Elsäkerhet

- Elverktygets stickkontakt måste passa i eluttaget. Modifiera aldrig kontakten på något sätt.**
Använd inga adapterkontakter tillsammans med jordade elverktyg. Icke modifierade kontakter och passande uttag minskar risken för elektrisk stöt.
- Undvik kroppskontakt med jordade ytor, t.ex. rör, värmeelement, spisar och kylskåp.** Det finns en ökad risk för elektrisk stöt om din kropp är jordansluten eller jordad.
- Utsätt inte elverktyget för regn eller våta omgivelningar.** Vatten som kommer in i ett elverktyg ökar risken för elektrisk stöt.
- Misshandla inte nätsladden. Använd aldrig sladden för att bära, dra eller koppla bort elverktyget från uttaget.** Håll sladden borta från värme, olja, skarpa kanter eller rörliga delar. Skadade eller tilltrasslade sladdar ökar risken för elektrisk stöt.
- Använd en förlängningssladd som lämpar sig för utomhusbruk när du arbetar med elverktyg utomhus.**

Användning av en sladd som är lämplig för utomhusbruk minskar risken för elektriska stötar.

- f. **Om du måste använda ett elverktyg på en fuktig plats, bör du använda en strömförsörjning med jordfelsbrytare.**

Användning av en jordfelsbrytare minskar risken för elektrisk stöt.

3. Personlig säkerhet

- a. **Var uppmärksam, se på vad du gör och använd sunt omdöme när du använder elverktyg.**
Använd inte ett elverktyg när du är trött eller påverkad av droger, alkohol eller mediciner. Ett ögonblicks ouppmärksamhet när du arbetar med elektriska verktyg kan leda till allvariga personskador.
- b. **Använd personlig skyddsutrustning. Använd alltid skyddsglasögon.** Skyddsutrustning såsom dammfilterskydd, halksäkra säkerhetsskor, skyddshjälm eller hörselskydd som används för lämpliga förhållanden minskar personskador.
- c. **Förhindra oavsiktlig start. Kontrollera att strömbrytaren står i avstängt läge innan du ansluter verktyget till elnätet eller sätter i batteriet, samt innan du tar upp eller bär verktyget.** Att bära elektriska verktyg med fingret på strömbrytaren eller att koppla strömmen till elektriska verktyg när strömbrytaren är på leder till olyckor.
- d. **Ta bort alla inställningsverktyg och skruvnycklar innan du startar elverktyget.** Ett verktyg eller en nyckel som har lämnats kvar på en roterande del av det elektriska verktyget kan orsaka kroppsskador.
- e. **Sträck dig inte för mycket. Ha ordentligt fotfäste och balans hela tiden.** Detta möjliggör bättre kontroll av elverktyget i oväntade situationer.
- f. **Bär lämpliga kläder. Bär inte lösa kläder eller smycken. Håll håret och kläderna borta från rörliga delar.** Lösa kläder, smycken eller långt hår kan fastna i rörliga delar.
- g. **Om enheten har dammsugnings- och uppsamlingsutrustning, se till att den är ansluten och används på korrekt sätt.** Användning av dammuppsamling kan minska dammrelaterade risker.
- h. **Låt inte förtrogenheten som uppstått genom regelbunden användning av verktyg låta dig bli självsäker och ignorera verktygets säkerhetsprinciper.** En oförsiktig handling kan orsaka allvariga skador under bråkdelen av en sekund.

4. Användning och skötsel av elverktyg

- a. **Överbelasta inte elverktyget. Använd rätt elverktyg för ditt arbete.**
Det korrekta elverktyget gör arbetet bättre och säkrare vid den hastighet för vilket det konstruerades.
- b. **Använd inte elverktyget om det inte kan startas och**

stängas av med strömbrytaren. Ett elverktyg som inte kan kontrolleras med strömbrytaren är farligt och måste repareras.

- c. **Koppla ur kontakten från strömkällan och/eller ta bort batteriet, om det går att ta bort, tillbehörs byts ut eller elverktyget ställs undan.** Sådana förebyggande säkerhetsåtgärder minskar risken att oavsiktligt starta elverktyget.
- d. **Förvara elverktyg utom räckhåll för barn och låt inte personer som är ovana vid elverktyget eller som inte läst denna bruksanvisning använda det.**
Elverktyg är farliga i händerna på ovana användare.
- e. **Underhålla elverktyg och tillbehör. Kontrollera att rörliga komponenter fungerar felfritt och inte kärvar, att komponenter inte gått sönder eller skadats och inget annat föreligger som kan påverka elverktygets funktion. Om det är skadat, se till att elverktyget blir reparerat före användning.** Många olyckor orsakas av dåligt underhållna elektriska verktyg.
- f. **Håll skärande verktyg vassa och rena.** Korrekt underhållna kapverktyg med vassa skär är mindre troliga att de fastnar och är lättare att kontrollera.
- g. **Använd elverktyg, tillbehör, bits m.m. enligt dessa anvisningar, samtidigt som arbetsförhållandena och det arbete som ska utföras beaktas.**
Användning av elverktyget för andra uppgifter än vad som avsetts kan resultera i farliga situationer.
- h. **Håll handtagen och greppytorna torra, rena och fria från olja och fett. Håll handtag och greppytor förhindrar säker hantering och kontroll av verktyget i oväntade situationer.**

5. Användning och skötsel av batteridrivet verktyg

- a. **Ladda endast med den laddare som är specificerad av tillverkaren.**
En laddare som passar en batterityp kan medföra brandrisk om den används ihop med ett annat batteri.
- b. **Använd endast de batteripaket som är speciellt avsedda för elverktyget.** Användning av andra batteripaket kan leda till personskador eller eldsvåda.
- c. **När batteriet inte används ska du hålla det åtskilt från metallföremål som gem, mynt, nycklar, spik, skruvar och andra små metallföremål som kan orsaka kortslutning mellan batteriets poler.** Kortslutning av batteripolerna kan leda till brännskador eller eldsvåda.
- d. **Under olämpliga förhållanden kan vätska spruta ut från batteriet. Undvik kontakt. Vid oavsiktlig kontakt, spola med vatten. Om vätskan kommer i kontakt med ögonen, sök också läkarhjälp.** Vätska som sprutar ur batteriet kan orsaka sveda och brännskador.

6. Service

- a. **Låt en kvalificerad reparatör som bara använder**

identiska reservdelar utföra service på elverktyget.

Detta säkerställer att elverktygets säkerhet bibehålles.

- b. Utför aldrig service på skadade batteripaket.** Service på batteripaket skall endast utföras av tillverkaren eller auktoriserad servicepersonal (endast för batteriverktyg).

Säkerhetsvarningar för hammare

WARNING ! Säkerhetsinstruktioner för all verksamhet.

- ◆ **Använd hörselskydd.** Att utsättas för buller kan leda till hörselskador.
- ◆ **Använd extrahandtag om de medföljer verktyget.** Tappad kontroll kan orsaka personskador.
- ◆ **Håll elverktyget i de isolerade greppytorna när du utför en operation där skärtillbehöret och fästelementen kan komma i kontakt med dolda ledningar eller dess egen sladd.** Kaptillbehör som kommer i kontakt med en strömförande ledning kan göra att exponerade metalldelar hos elverktyget blir strömförande och kan ge användaren en elektrisk stöt.
- ◆ **Spänn verktyget ordentligt före användning.** Detta verktyg avger ett högt utgångsmoment och om inte verktyget stängs ordentligt under drift kan förlust av kontroll uppstå vilket kan leda till personskador.

Säkerhetsanvisningar vid användning av långa borrhonor med borrhammare

- ◆ **Börja alltid borra med låg hastighet och med bitspetsen i kontakt med arbetsstycket.** Vid högre hastigheter kommer biten troligen att böjas om den får rotera fritt utan att komma i kontakt med arbetsstycket, vilket kan resultera i personskada.
- ◆ **Börja alltid borra med låg hastighet och med bitspetsen i kontakt med arbetsstycket.** Vid högre hastigheter kommer biten troligen att böjas om den får rotera fritt utan att komma i kontakt med arbetsstycket, vilket kan resultera i personskada.
- ◆ **Applicera tryck endast i direkt linje med biten och applicera inte för högt tryck.** Bits kan böjas och orsaka brott eller förlust av kontroll, vilket kan leda till personskador.
- ◆ **Använd aldrig ett mejselfällbehör i roterande läge.** Tillbehöret kläms fast i materialet och borrhaskinen vrids.
- ◆ **Använd klämmor eller något annat praktiskt sätt att stödja arbetsstycket mot ett stabilt underlag.** Att hålla arbetsstycket för hand eller mot kroppen är instabilt och kan göra att du förlorar kontrollen.
- ◆ **Innan du borrar i väggar, golv eller tak ska du kontrollera var rör eller elledningar finns.**
- ◆ **Undvik att vidröra spetsen på borret precis efter bormning, eftersom den kan bli väldigt varm.**
- ◆ **Avsedd användning beskrivs i denna bruksanvisning. Om**

andra tillbehör eller tillsatser används, eller om någon annan åtgärd än de som rekommenderas i den här bruksanvisningen utförs med verktyget kan personer och/eller egendom ta skada.

- ◆ Använd ansikts- eller munskydd när damm eller flygande partiklar kan uppstå.

Säkerhet för andra

- ◆ Denna apparat är inte avsedd att användas av personer (inklusive barn) med reducerad fysisk, sensorisk eller mental förmåga eller med begränsad erfarenhet eller kunskap såvida inte de är under uppsikt eller fått instruktioner om användning av apparaten av en person som är ansvarig för deras säkerhet.
- ◆ Barn bör övervakas för att garantera att de inte leker med apparaten.

Övriga risker.

Ytterligare risker som inte finns med i de bifogade säkerhetsanvisningarna kan uppstå när verktyget används. Dessa risker kan uppstå vid felaktig eller långvarig användning, etc.

Även om alla relevanta säkerhetsanvisningar följs och säkerhetsanordningar används kan vissa ytterligare risker inte undvikas. Dessa omfattar:

- ◆ Skador orsakade av att roterande/rörliga delar vidrörs.
- ◆ Skador som uppstår vid byte av delar, blad eller tillbehör.
- ◆ Skador som orsakas av långvarig användning av ett verktyg. Se till att regelbundet ta vilopausar när du använder ett verktyg under en längre period.
- ◆ Hörselnedsättning.
- ◆ Hälsorisker orsakade av inandning av damm när redskapet används (exempel: arbete med trä, särskilt ek, bok och MDF)

Vibrationer

De vibrationsvärden som anges i avsnitten Tekniska data och deklarationen om överensstämmelse har uppmätts i enlighet med en standardtestmetod föreskriven i EN62841 och kan användas för jämförelse med andra verktyg. Det angivna vibrationsvärdet kan även användas för en preliminär bedömning av exponeringen.



WARNING ! Vibrationsvärdet under faktisk användning av elverktyget kan skilja sig från det uppgivna värdet beroende på hur verktyget används. Vibrationsnivån kan överstiga den uppgivna nivån.

Vid uppskattningar av exponering för vibrationer i syfte att bedöma vilka säkerhetsåtgärder som är nödvändiga ska man utgå från de faktiska omständigheter under vilka elverktyget används och sättet på vilket det används. Bedömningen ska

även ta hänsyn till alla moment i arbetscykeln, t.ex. när verktyget är avstängt och när det går på tomgång såväl som när det faktiskt används.

Etiketter på verktyget

Följande varningssymboler finns på verktyget, tillsammans med datumkoden:



WARNING! Läs bruksanvisningen före användning för att minska risken för personskador.



Använd hörselskydd med hammare. Att utsättas för buller kan leda till hörselskador



Titta inte direkt in i arbetslampan

Ytterligare säkerhetsinstruktioner för batterier och laddare

Batterier

- Försök aldrig öppna batteriet.
- Utsätt inte batteriet för vatten.
- Utsätt inte batteriet för värme.
- Förvara inte på platser där temperaturen kan bli högre än 40 °C.
- Ladda endast vid temperaturer mellan 10 °C och 40 °C.
- Ladda endast med hjälp av laddaren som medföljer apparaten/verktyget.
- Följ instruktionerna som anges i avsnittet "Miljö" när du kastar batterierna.
- Skydda batteripaketet från skador/deformeringar i form av slag och stötar eftersom det kan leda till personskador eller eldsvåda.
- Ladda inte skadade batterier.
- Under extrema förhållanden kan batterierna läcka. Om det finns vätska på batterierna ska du torka bort vätskan försiktigt med en trasa. Undvik hudkontakt.
- Följ instruktionerna nedan vid kontakt med hud eller ögon.



WARNING! Batterivätskan kan orsaka person- eller materialskador. Vid hudkontakt, skölj genast med vatten. Vid rodnader, smärta eller irritation ska läkare uppsökas. Vid kontakt med ögon, skölj genast med rent vatten och uppsök läkare.

Laddare

Laddaren är avsedd för en viss spänning. Kontrollera alltid att nätspänningen överensstämmer med spänningen på typskylten.



WARNING! Försök aldrig byta ut laddaren mot en vanlig nätkontakt.

- Laddaren får bara användas för att ladda batteriet i det verktyg som laddaren levererades med. Andra batterier kan spricka och orsaka personskador och andra skador.
- Försök aldrig ladda batterier som inte är uppladdningsbara.
- Om nätsladden är skadad måste den bytas ut av tillverkaren eller ett auktoriserat servicecenter för att farliga situationer ska undvikas.
- Byt defekta sladdar omgående.
- Utsätt inte laddaren för vatten.
- Öppna inte laddaren.
- Gör ingen åverkan på laddaren.
- Redskapet/verktyget/batteriet ska placeras på en plats med god ventilation vid laddning.



Laddaren är endast avsedd för inomhusbruk.



Läs bruksanvisningen före användning.

Elsäkerhet



Eftersom laddaren är dubbelisolerad behövs ingen jordledare. Kontrollera alltid att nätspänningen överensstämmer med spänningen på typskylten. Försök aldrig byta ut laddaren mot en vanlig nätkontakt.

- ◆ Om nätsladden är skadad måste den bytas ut av tillverkaren eller en auktoriserad BLACK+DECKER-verkstad för att undvika fara.

Funktioner

Detta verktyg har några eller samtliga av följande funktioner.

1. Strömbrytare
2. Framåt-/bakåt- reglage
3. Borrlägesväljare
4. Djupstopp
5. Verktygshållare
6. Sidohandtag
7. LED-arbetsbelysning
8. Batteri

Montering

Användning



WARNING! Låt verktyget arbeta i sin egen takt. Överbelasta inte.

- ◆ Ladda batteriet helt innan du använder det första gången.

Notera: Om enheten plötsligt stoppar under användning, ta bort batteripaketet och placera det på laddning för att ladda helt.

Notera: Om enheten inte vill starta om efter hårt bruk, låt verktyget och batteripaketet svalna innan arbetet återupptas.

Ladda batteriet (bild A och B)

Batteriet måste laddas innan det används för första gången samt varje gång det inte ger tillräckligt hög effekt för arbeten som tidigare enkelt klarades av. Batteriet kan bli varmt när det laddas. Det är normalt och innebär inte att något är fel.



WARNING! Ladda inte batteriet om temperaturen i luften är lägre än 10 °C eller högre än 40 °C. Den rekommenderade laddningstemperaturen är cirka 24 °C.

NOTERA: Laddaren laddar inte batteriet om celltemperaturen är lägre än ungefär 10 °C eller högre än 40 °C.

Batteriet får då sitta kvar i laddaren, som påbörjar laddningen automatiskt när celltemperaturen har stigit eller sjunkit.

- För att ladda batteriet sätter du in batteriet (8) i bordsladdaren (9) eller koppladdaren (11) beroende på din modell. Batteriet kan bara placeras i laddaren på ett sätt.
- Koppla in bordsladdaren (9) eller koppladdaren (11) i ett lämplig eluttag och slå på den.
- Ladda urladdade batterier inom 1 vecka. Om batterierna inte laddas när de är urladdade förkortas batterilivslängden avsevärt.

Montera och ta bort batteriet (bild C, D)

- Sätt i batteriet genom att placera det i linje med kontakten på verktyget. Skjut in batteriet i facket och tryck tills batteriet snäpper på plats.
- Ta ur batteriet genom att trycka på läsknappen (8a) och ta ur batteriet från facket.

Montera sidohandtaget och djupstoppet (bild E)

- Vrid vredet moturs tills du kan skjuta på sidohandtaget (6) på verktygets framsida som bilden visar.
- Roterar sidohandtaget till önskat läge.
- Sätt in djupstoppet (4) i det avsedda hålet. Se bilden.
- Ställ djupstoppet i önskat läge. Det maximala borr djupet är lika med avståndet mellan borrens spets och djupstoppets främre ände.
- Se till att handtagsspärrarna (23) är låsta på ribborna på huset (22).
- Dra åt sidohandtaget genom att vrida vredet moturs.

Montera tillbehör (bild F-G)

- Rengör och smörj skaflet (12) på tillbehöret.
- Sätt i skaflet i verktygshylsan (5).
- Tryck ned tillbehöret och vrid det försiktigt tills det passar i öppningarna.
- Kolla att tillbehöret är ordentligt låst genom att dra i det. Slagfunktionen kräver att tillbehöret kan röra sig flera centimeter axiellt när det är låst i verktygshållaren.
- Om du vill ta bort tillbehöret drar du tillbaka hylsan (13) och drar ut tillbehöret.

Nyckelförsedd chuck (bild H)

- Öppna chucken genom att vrida hylsan (14) moturs.
- Sätt bitsskaftet (16) i chucken.

- Sätt chucknyckeln (17) i vart och ett av hålen (15) i sidan av chucken och dra åt medurs tills det sitter ordentligt.



WARNING! Innan du borrar i väggar, golv eller tak ska du kontrollera var rör eller elledningar finns.



WARNING! Använd aldrig mejselfällbehör när verktyget är i borrläge.

Åtgärd framåt/bakåt (bild I)

- Flytta reglaget (2) för att indikera riktningen som krävs.

Starta och stänga av (bild J)

- Slå på verktyget genom att trycka på omkopplaren med variabel hastighet (1). Verktygets hastighet är beroende av hur du slår på omkopplaren.
- En allmän regel är att du använder låga hastigheter för borrar med stor diameter och höga hastigheter för borrar med mindre diameter.
- Slå av verktyget genom att släppa strömbrytaren för variabel hastighet.

Välja arbetssätt (bild J)

Verktyget kan användas på tre sätt.

- När du ska använda driftlägesväljaren (3) trycker du på frigöringsknappen (20) och roterar väljaren till önskat läge som symbolerna visar.

Borning

- Vid borring i stål, trä och plast och för skruvdragning ställer du borrlägesväljaren (3) till läge **2** (19).

Slagborring

- Vid slagborring i murverk och betong ställer du borrlägesväljaren (3) till läge **T 1** (18). Vid hamring ska verktyget fungera mjukt och inte studsas. Vid behov kan du öka hastigheten.

Hamring

- Vid hamring med spindellåset, och för lättare mejslingsarbeten, ställer du borrlägesväljaren (3) läge **T** (21).
- Vid byte från slagborring till mejsling vrids du mejseln till önskat läge. Om du känner motstånd vid ändring av läge vrids du försiktigt mejseln så att den passar i spindellåset.

Tillbehör

Verktygets prestanda beror på vilka tillbehör du använder. Tillbehör från Stanley BLACK+DECKER håller hög kvalitet och är konstruerade för att fungera optimalt med verktyget. Genom att använda dessa tillbehör får du ut mesta möjliga av verktyget.

Underhåll

Din kabelanslutna/sladdlösa BLACK+DECKER-apparat/verktyg är konstruerad för att fungera en lång tid med minsta möjliga underhåll. Kontinuerlig tillfredsställande drift är

beroende av ordentlig verktygvård och regelbunden rengöring.



WARNING ! Innan underhåll utförs på verktyget/ sladdlösa elverktyg:

- ◆ Stäng av apparaten/verktyget och dra ur nätkontakten.
- ◆ Du kan också ta ut batteriet ur redskapet/verktyget om det har ett separat batteri.
- ◆ Om batteriet är inbyggt låter du det laddas ur helt innan avstängningen.
- ◆ Dra ur sladden till laddaren innan du rengör den. Laddaren behöver inget annat underhåll än regelbunden rengöring.
- ◆ Rengör regelbundet redskapets/verktygets/laddarens luftintag med en mjuk borste eller torr trasa.
- ◆ Rengör motorkåpan regelbundet med en fuktig trasa. Använd aldrig något slipande eller lösningsmedelsbaserat rengöringsmedel.
- ◆ Öppna chocken (där sådan finns) med jämna mellanrum och knacka på den för att avlägsna damm som sitter på insidan.

Skydda miljön



Separat insamling. Produkter och batterier som är markerade med denna symbol får inte kastas i de vanliga hushållssoporna.

Produkterna och batterierna innehåller material som kan återvinnas eller återanvändas, vilket sänker behovet av råmaterial.

Återvinn elektriska produkter och batterier enligt lokala föreskrifter. Närmare information finns tillgänglig på www.2helpU.com

Tekniska data

		BCD900D1S / D1K	BCD900E2K	BCD900M1K	BCD900B
Inspänning	V_{DC}	18	18	18	18
Obelastat varvtal	min^{-1}	0 - 1800	0 - 1800	0 - 1800	0 - 1800
Slaghastighet	min^{-1}	0 - 6350	0 - 6350	0 - 6350	0 - 6350
Vikt	kg	2.60	2.60	2.87	2.22
Maximal borrkapacitet					
Betong	mm	18	18	18	18
Stål	mm	13	13	13	13
Trä	mm	25	25	25	25
Batteri		BL2018	BL2518	BL4018	Medföljer ej
Spänning	V_{DC}	18	18	18	
Kapacitet	Ah	2.0	2.5	4.0	
typ		Li-jon	Li-jon	Li-jon	

Laddare			
Inspänning	V_{AC}	220 - 240	230
Utspänning	V_{DC}	8 - 20	18
Strömstyrka	A	1.0	2.0
Ungefärlig laddningstid	timme	2 - 4 h	1 - 2 h

Angivna dubbelsiffriga bullerutsläppsnivåer enligt med ISO 4871

Uppmått ljudtrycksnivå, L_{WA} (ref. 1pW), i decibel = 100 dB(A)
Osäkerhet, K_{WA} , i decibel = 3 dB(A)

Uppmått A-vägd ljudteffektivnivå vid arbetsstationen, L_{PA} (ref. 20µPA), i decibel = 92 dB(A)
Osäkerhet, K_{PA} , i decibel = 3 dB(A)

Värden som bestäms enligt bullertestkoden i EN62841-1:2015+AC:2015+A11:2022, med hjälp av de grundläggande standarderna EN62841-2-6:2020+A11:2020

NOTERA- Summan av ett uppmått bullervärde och dess tillhörande osäkerhet representerar en övre gräns för värdet som sannolikt kommer att uppstå i mätningarna.

Totala vibrationsvärden (vektorsumman av tre riktningar) fastställda enligt EN 62841

	beskrivning av arbetsuppgift "slagborrning i betong"	beskrivning av arbetsläge "mejsling"
Vibrationsemissionsvärde $a_{h,r}$	14.8 m/s^2	18.4 m/s^2
Osäkerhet K	1.5 m/s^2	1.5 m/s^2
Värden som bestäms enligt EN62841-1:2015+AC:2015+A11:2022 och EN62841-2-6:2020+A11:2020		

EG-försäkringen om överensstämmelse

MASKINDIREKTIVET



BCD900 Slagborrmaskin

Black & Deckerförsäkrar att dessa produkter, beskrivna under "tekniska data" uppfyller: EN62841-1:2015+AC:2015+A11:2022, EN62841-2-6:2020+A11:2020.

Dessa produkter överensstämmer även med direktivene 2006/42/EG, 2014/30/EU and 2011/65/EU. Mer information får du genom att kontakta Black & Decker på följande adress eller

titta i slutet av bruksanvisningen.

Undertecknad är ansvarig för sammanställningen av tekniska data och gör denna försäkringen på uppdrag av Black & Decker.

Patrick Diepenbach

Patrick Diepenbach
General Manager, Benelux
Black and Decker, 2800 Mechelen,
Belgien

30/12/2022

Garanti

Black & Decker är säker på kvaliteten hos denna produkt och erbjuder kunder 24 månaders garanti från inköpsdatumet.

Denna garanti är ett tillägg till dina lagstadgade rättigheter och påverkar inte dessa på något sätt.

Garantin är giltig inom territorierna i EU:s medlemsstater, Europeiska frihandelsområdet och Storbritannien.

För yrkande under garantin måste yrkandet vara i enlighet med Black & Deckers villkor och du kommer att behöva skicka in bevis på köpet till försäljaren eller en auktoriserad reparatör. Villkoren för Black & Deckers tvååriga garanti och var du hittar din närmaste auktoriserade reparatör kan erhållas på Internet på www.2helpU.com, eller genom att kontakta ditt lokala Black & Decker kontor på adressen som angetts i denna bruksanvisning.

Besök vår webbplats www.blackanddecker.se för att registrera din nya Black & Decker-produkt samt för att få information om nya produkter och specialerbjudanden.

(Översettelse av de opprinnelige instruksjonene)

NORSK

Tiltenkt bruk

BLACK+DECKER BCD 900 Rotary hammer er designet for å bore i tre, metall, plastikk og masonær, samt for å skrudd. Dette verktøyet er kun beregnet til bruk av brukere.

Sikkerhetsinstruksjoner

Generelle sikkerhetsadvarsler for elektroverktøy



ADVARSEL! Les alle sikkerhetsanvisninger, instruksjoner, illustrasjoner og spesifikasjoner som følger dette elektriske verktøyet. Unnlattelse av å følge alle instruksjonene nedenfor kan føre til elektrisk støt, brann og/eller alvorlig personskade.

Ta vare på alle advarsler og instruksjoner for fremtidig bruk. Begrepet "elektrisk verktøy" i advarslene refererer til ditt nettdrevne (med ledning) elektroverktøy eller batteridrevne (trådløse) elektroverktøy.

1. Sikkerhet i arbeidsområdet

- Hold arbeidsområdet rent og godt opplyst.** Rotete eller mørke områder er en invitasjon til ulykker.
- Ikke arbeid med elektroverktøy i eksplosjonsfarlige omgivelser, for eksempel der det befinner seg brennbare væsker, gass eller støv.** Elektrisk verktøy skaper gnister som kan antenne støv eller gasser.

- Hold barn og andre personer unna når du bruker et elektroverktøy.** Distraksjoner kan føre til at du mister kontrollen.

2. Elektrisk sikkerhet

- Støpselet til verktøyet må passe til stikkkontakten. Aldri modifier støpselet på noen måte.**
Ikke bruk adapterstøpsler til jordede elektriske verktøy. Umodifiserte støpsler og stikkontakter som passer vil redusere risikoen for elektrisk sjokk.
- Unngå kroppskontakt med jordede overflater som rør, radiatorer, komfyrer og kjøleskap.**
Det er økt risiko for elektrisk støt dersom kroppen din er jordet.
- Ikke utsett elektroverktøy for regn eller fuktighet.**
Dersom det kommer vann inn i et elektrisk verktøy vil det øke risikoen for elektrisk sjokk.
- Unngå uforvarselig behandling av ledningen. Aldri bruk ledningen til å bære, trekke eller dra ut støpselet til det elektriske verktøyet. Hold ledningen borte fra varme, olje, skarpe kanter eller bevegelige deler.**
Skadede eller innviklede ledninger øker risikoen for elektrisk sjokk.
- Når du bruker et elektroverktøy utendørs, må du bruke en skjøteledning som er egnet til utendørs bruk.** Bruk av en skjøteledning beregnet for utendørs bruk reduserer risikoen for elektrisk støt.
- Hvis du ikke kan unngå å bruke elektroverktøy på et fuktig sted, må du bruke en strømforsyning som er beskyttet med jordfeilbryter (RCD).** Bruk av jordfeilbryter (RCD) reduserer risikoen for elektrisk støt.

3. Personikkerhet

- Vær oppmerksom, pass på hva du gjør, og vis fornuft når du arbeider med et elektroverktøy.**
Ikke bruk et elektrisk verktøy dersom du er trøtt eller er påvirket av medikamenter, narkotika eller alkohol. Ett øyeblikks uoppmerksomhet under bruk av elektriske verktøy kan føre til alvorlig personskade.
- Bruk personlig verneutstyr. Bruk alltid vernebriller.**
Verneutstyr slik som støvmaske, skliskre vernesko, hjelm, eller hørselsvern brukt under passende forhold vil redusere personskader.
- Forhindre utilsiktet start. Kontroller at bryteren står i posisjon "av" før du kobler til strømkilden og/eller batteripakken, og før du tar opp eller bærer verktøyet.**
Å bære elektriske verktøy med fingeren på bryteren eller å sette inn støpselet mens elektriske verktøy har bryteren på øker faren for ulykker.
- Fjern eventuelt innstillingsverktøy eller skruverktøy før du slår på elektroverktøyet.** Et skruverktøy eller en nøkkel som fortsatt er festet til en roterende del av elektroverktøyet, kan føre til personskade.

- e. **Ikke strekk deg for langt. Ha godt fotfeste og stå støtt hele tiden.** Dette fører til at du har bedre kontroll over det elektriske verktøyet ved uventede situasjoner.
- f. **Bruk egnede klær. Ikke ha på deg løstsittende klær eller smykker. Hold håret og klærne unna bevegelige deler.** Løstsittende klær, smykker og langt hår kan bli fanget opp av bevegelige deler.
- g. **Hvis det kan monteres støvavsug- og oppsamlingsinnretninger, må du forvisse deg om at disse er tilkoblet og brukes på riktig måte.** Bruk av støvoppsamlere kan redusere støvrelaterte farer.
- h. **Ikke la erfaring med hyppig bruk av verktøy la deg bli likegyldig og ignorere verktøyet sikkerhetsregler.** En uforsiktig handling kan føre til alvorlig personskade på brokdelen av et sekund.
- 4. Bruk og behandling av elektroverktøy**
- a. **Ikke bruk makt på elektroverktøyet. Bruk det elektriske verktøyet som situasjonen krever.**
Det riktige elektriske verktøyet vil gjøre jobben bedre og tryggere ved den hastigheten det ble konstruert for.
- b. **Ikke bruk elektroverktøyet hvis du ikke kan slå det på og av med bryteren.** Ethvert elektrisk verktøy som ikke kan kontrolleres med bryteren er farlig og må repareres.
- c. **Koble støpselet fra strømkilden og/eller fjern batteripakken, hvis den er avtakbar, bytter tilbehør eller legger elektroverktøyet bort for lagring.** Slike preventive sikkerhetsforanstaltninger reduserer risikoen for å starte det elektriske verktøyet ved et uhell.
- d. **Elektroverktøy som ikke er i bruk, må oppbevares utilgjengelig for barn. Ikke la verktøyet bli brukt av personer som ikke er fortrolige med det, eller som ikke kjenner disse instruksjonene.** Elektriske verktøy er farlige i hendene på utrenede brukere.
- e. **Sørg for vedlikehold av elektroverktøy og tilbehør. Undersøk om bevegelige deler er feiljustert eller blokkert, om deler er skadet, og om det er andre forhold som kan påvirke elektroverktøyet funksjon.** Dersom det er skadet, få verktøyet reparert før neste bruk. Mange ulykker forårsakes av dårlig vedlikeholdte verktøy.
- f. **Hold skjæreverktøy skarpe og rene.** Godt vedlikeholdte skjæreverktøy med skarpe skjærekanten setter seg mindre sannsynlig fast og er lettere å kontrollere.
- g. **Bruk elektroverktøy, tilbehør, bor osv. i henhold til disse instruksjonene. Ta hensyn til arbeidsforholdene og arbeidet som skal utføres.** Bruk av det elektriske verktøyet for oppgaver som er forskjellige fra de som er tiltenkt kan føre til en farlig situasjon.
- h. **Hold håndtakene og gripeflatene tørre, rene og frie for olje og fett. Glatte håndtak og gripeflater forhindrer trygg håndtering og kontroll av verktøyet i uventede situasjoner.**

5. Bruk og stell av batteriverktøy

- a. **Ladningen skal bare skje med den laderen som produsenten har spesifisert.**
En lader som passer for en type batteripakke kan føre til risiko for brann dersom den brukes på en annen batteripakke.
- b. **Bruk elektroverktøy bare sammen med spesifikt angitte batteripakker.** Bruk av andre batteripakker kan føre til risiko for personskade og brann.
- c. **Når batteripakken ikke er i bruk, må du oppbevare den atskilt fra andre metallgjenstander som binders, mynter, nøkler, spiker, skruer eller andre små metallgjenstander som kan opprette en forbindelse fra en terminal til en annen.** Kortslutning av batteripolene mot hverandre kan føre til brannskader eller brann.
- d. **Ved feilaktig bruk kan det komme væske ut av batteriet, unngå kontakt med den. Dersom du kommer i kontakt med den, skyll av med vann. Dersom du får væsken i øynene, søk legehjelp.** Væske som kommer ut av batteriet kan føre til irritasjon eller brannskader.

6. Service

- a. **Elektroverktøyet skal repareres av kvalifisert personell og bare med originale reservedeler.**
Dette vil sikre at verktøyet sikkerhet blir ivarettatt.
- b. **Skadede batteripakker skal aldri repareres.** Service på batteripakker skal kun utføres av produsenten eller autoriserte serviceverksteder (kun for batteriverktøy).

Hammer sikkerhetsadvarsler

ADVARSEL! Sikkerhetsinstruksjoner for alle operasjoner.

- ◆ **Bær høreværn.** Udsættelse for støy kan medføre høretab.
- ◆ **Brug hjelpehåndtag, hvis de følger med værktøjet.**
Tab af kontrol kan medføre personskade.
- ◆ **Hold elværktøjet i de isolerede gribeplader, når du udfører en operation, hvor skæretilbehøret og fastgørelserne kan komme i kontakt med skjulte ledninger eller dets egen ledning.** Hvis skæretilbehøret rammer en strømførende ledning, bliver elværktøjets blotlagte dele strømførende, så brugeren får stød.
- ◆ **Afstiv værktøjet grundigt før brug.** Dette værktøj producerer et højt udgangsmoment, og uden korrekt afstivning af værktøjet under drift, kan du miste kontrollen, hvilket kan resultere i personskade.

Sikkerhetsinstruksjoner ved bruk af lange bor med borehammere

- ◆ **Begynd altid at bore ved lav hastighed og med bitspidsen i kontakt med emnet.** Ved høyere hastigheter vil boret sandsynligvis bøjes, hvis det får lov til at rotere frit

uden at komme i berøring med emnet, hvilket kan resultere i personskade.

- ◆ **Start alltid med at bore ved lav hastighet og med spidsen af boret i kontakt med overfladen.** Ved høgere hastigheter vil boret sandsynligvis bøjes, hvis det får lov til at rotere frit uden at komme i berøring med emnet, hvilket kan resultere i personskade.
- ◆ **Begynd alltid med at bore i lav hastighet og med borespidsen i kontakt med emnet.** Bor kan bøje og forårsage brud eller tab af kontrol, hvilket kan resultere i personskade.
- ◆ **Brug aldrig mejseltilbehør i roterende tilstand.** Tilbehøret sætter sig fast i materialet og roterer boret.
- ◆ **Brug klemmer eller en anden praktisk måde på at sikre og understøtte arbejdsområdet til et stabilt underlag.**

Hvis du holder fast i arbejdsområdet med din hånd eller krop, vil det være ustabil, og det kan medføre, at du mister kontrollen over det.

- ◆ Kontroller plasseringen av ledninger og rør, inden der bores i vægge, gulve eller lofter.
- ◆ Rør ikke ved spidsen af et bor lige efter boring, da det kan være varmt.
- ◆ Den tilsigtede anvendelse er beskrevet i denne betjeningsveiledning. Brug af ekstraudstyr eller tilbehør eller utførelse af andre oppgaver med dette værktøy end de, der anbefales i denne veiledning, kan medføre risiko for personskade og/eller materiel skade.
- ◆ Bruk en ansigts- eller støvmaske, hvor arbeidet forårsager støv eller flyvende partikler.

Andre personers sikkerhet

- ◆ Apparatet er ikke ment for bruk av personer (inkludert barn) med redusert fysiske, sensoriske eller mentale evner, eller mangel på erfaring og kunnskap, med mindre de får tilsyn eller har blitt opplært i bruk av apparatet av en person ansvarlig for deres sikkerhet.
- ◆ Barn må holdes under oppsyn, sørg for at de ikke leker med apparatet.

Andre risikoer.

Når verktøyet brukes, kan det oppstå ytterligere risikoer som kanskje ikke er beskrevet i de medfølgende sikkerhetsadvarslene. Disse risikoene kan bli forårsaket av feil bruk, langvarig bruk osv.

Selv om de relevante sikkerhetsbestemmelsene blir fulgt, og sikkerhetstiltakene blir gjennomført, kan visse gjenværende risikoer ikke unngås. Disse inkluderer:

- ◆ Personskader som forårsakes av berøring av en roterende/bevegelig del.
- ◆ Personskader som forårsakes av at en del, et blad eller tilbehør endres.

- ◆ Personskader som forårsakes av langvarig bruk av et verktøy. Når du bruker et verktøy i lange perioder, må du sørge for å ta regelmessige pauser.
- ◆ Hørselskader.
- ◆ Helsefarer som skyldes innånding av støv som dannes når du bruker verktøyet (for eksempel under arbeid med tre, spesielt eik, bøk og MDF.)

Vibrasjon

Vibrasjonsemijsjonsverdien som er angitt under tekniske data og samsvarserklæring, er blitt målt i henhold til en standard testmetode som er angitt i EN62841, og kan brukes til å sammenligne et verktøy med et annet. Den oppgitte vibrasjonsemijsjonsverdien kan også brukes til en foreløpig vurdering av eksponering.



ADVARSEL! Vibrasjonsemijsjonsverdien under faktisk bruk av elektroverktøyet kan avvike fra den oppgitte verdien avhengig av måten verktøyet blir brukt på. Vibrasjonsnivået kan øke over nivået som er oppgitt.

Når det vurderes vibrasjonseksponering for å avgjøre hvilke sikkerhetstiltak skal det, når vibrasjonseksponeringen anslås, tas hensyn til de faktiske bruksforholdene og måten verktøyet blir brukt på. Dette inkluderer å ta hensyn til alle deler av brukssyklusen, for eksempel når verktøyet er avslått, når det går på tomgang og varigheten avtrekkeren er trykket inn.

Etiketter på verktøyet

Følgende symboler vises på verktøyet sammen med datokoden:



Advarsel! Brukeren må lese håndboken for å redusere risikoen for personskade.



Bruk hørselsvern med hammer. Å bli utsatt for støv kan forårsake hørselstap



Ikke se direkte på lampen når den er på

Ytterligere sikkerhetsinstruksjoner for batterier og ladere

Batterier

- Forsøk aldri å åpne av noen årsak.
- Ikke utsett batteriet for vann.
- Ikke utsett batteriet for varme.
- Ikke oppbevar det på steder hvor temperaturen kan komme over 40 °C.
- Skal bare lades ved omgivelsestemperaturer mellom 10 °C og 40 °C.

- Bruk bare ladere av typen som følger med apparatet/verktøyet.
- Følg instruksjonene som finnes i avsnittet "Miljø" når du skal kaste batterier.
- Ikke skad eller deformer batteripakken ved punktering eller støt, da dette kan føre til risiko for personskade og brann.
- Ikke lad skadede batterier.
- Under ekstreme forhold kan batterilekkasje forekomme. Hvis du oppdager væske på batteriene, må du tørke den forsiktig av med en klut. Unngå kontakt med huden.
- Hvis væsken kommer i kontakt med huden eller øynene, følger du instruksjonene nedenfor.



ADVARSEL! Batterivæsken kan føre til personskade eller skade på eiendom. Ved hudkontakt skyller du umiddelbart med vann. Hvis huden blir rød eller irritert eller smerter inntreffer, søk øyeblikkelig medisinsk hjelp. Hvis væsken kommer i kontakt med øynene, skyller du umiddelbart med rent vann og søker øyeblikkelig medisinsk hjelp.

Ladere

Ladere er konstruert for en bestemt spenning. Kontroller alltid at nettspenningen er i overensstemmelse med spenningen på typeskiltet.



ADVARSEL! Ikke skift ut laderen med et vanlig nettstøpsel.

- Laderen skal bare brukes til å lade batteriet i apparatet som laderen kom sammen med. Andre batterier kan sprekke og føre til personskade og materiell skade.
- Prøv aldri å lade ikke-oppladbare batterier.
- Hvis strømledningen blir skadet, må den skiftes av produsenten eller et autorisert servicesenter for å unngå fare.
- Skift ut defekte ledninger umiddelbart.
- Ikke utsett laderen for vann.
- Ikke åpne laderen.
- Ikke stikk gjenstander eller fingre inn i laderen.
- Apparatet/verktøyet/batteriet må plasseres på et sted med god lufting når det lades.



Laderen er bare beregnet for innendørs bruk.



Les denne håndboken før bruk.

Elektrisk sikkerhet



Denne laderen er dobbeltisolert. Jording er derfor ikke nødvendig. Kontroller alltid at nettspenningen er i overensstemmelse med spenningen på typeskiltet. Ikke skift ut laderen med et vanlig nettstøpsel.

- ◆ Hvis strømledningen blir skadet, må den byttes av produsenten eller et autorisert BLACK+DECKER-servicesenter for å unngå fare

Funksjoner

Dette verktøyet har noen av eller alle følgende egenskaper.

1. På/Av bryter
2. Bryter for fremover/bakover
3. Boremodusvelger
4. Dybdestopp
5. Verktøyholder
6. Sidehåndtak
7. LED-arbeidslampe
8. Batteri

Montering

Bruk



ADVARSEL! La verktøyet arbeide i sin egen hastighet. Må ikke overbelastes.

- ◆ Lad opp batteriet før du bruker det første gang.

MERK: Dersom verktøyet plutselig stopper under bruk, ta av batteripakken og lad det opp til full opplading.

MERK: Dersom verktøyet ikke vil starte igjen etter tung bruk, la verktøyet og batteriet få kjøle seg ned før du fortsetter arbeidet.

Ladning av batteriet (figur A og B)

Batteriet må lades før første gang det brukes, og hver gang det ikke lenger gir nok strøm til oppgaver som tidligere ble utført uten problemer. Batteriet kan bli varmt under lading. Dette er normalt og innebærer ikke feil.

Advarsel! Ikke lad batteriet ved omgivelsestemperaturer under 10 °C eller over 40 °C. Anbefalt ladetemperatur er ca. 24 °C.

Merk: Laderen vil ikke lade et batteri hvis celledemperaturen er under ca. 10 °C eller over 40 °C.

Du bør la batteriet stå i laderen. Laderen begynner å lade automatisk når celle temperaturen stiger eller synker igjen.

- ◆ For å lade batteriet, sett batteriet (8) i bordladeren (9) eller skålladeren (11), avhengig av din modell. Batteriet kan bare settes i laderen på én måte.
- ◆ Plugg bordladeren (9) eller skålladeren (11) inn i en passende strømkilde og slå på.
- ◆ Lad utladede batterier innen 1 uke. Batterienes levetid blir mye kortere hvis de oppbevares utladet.

Sette inn og ta ut batteriet (figur C og D)

- ◆ Når du skal sette inn batteriet, plasserer du det rett overfor kontakten på verktøyet. Skyv batteriet inn i kontakten og trykk til batteriet klikker på plass.
- ◆ Når du skal ta ut batteriet, trykker du på utløserknappen (8a) og trekker samtidig batteriet ut av holderen.

Montering av sidehåndtak og dybdestopp (figur E)

- ◆ Vri håndtaket mot klokken til du kan skyve sidehåndtaket (6) på forsiden av verktøyet som vist.
- ◆ Vri sidehåndtaket til ønsket stilling.
- ◆ Sett dybdestoppen (4) i monteringshullet som vist.
- ◆ Sett dybdestopp i ønsket stilling. Maksimal boreddybde tilsvarende avstanden mellom spissen på boret og forparten av dybdestoppen.
- ◆ Pass på at hakkene i håndtaket (23) låses i ribbene på huset (22).
- ◆ Stram sidehåndtaket ved å vri håndtaket mot klokken.

Sette på et tilbehør (figur F - G)

- ◆ Rengjør og smør skaftet (12) på tilbehøret.
- ◆ Sett skaftet i verktøyholderen (5).
- ◆ Skyv tilbehøret ned, og dreier det litt til det passer i sporene.
- ◆ Trekk i tilbehøret for å kontrollere at det er riktig låst. Slagfunksjonen krever at tilbehøret kan bevege seg langs akselen flere centimeter når det er låst i verktøyholderen.
- ◆ Når du skal ta ut tilbehøret, trekker du tilbake mansjetten (13) og trekker ut tilbehøret.

Chuck med nøkkel (figur H)

- ◆ Åpne chocken ved å vri hylsen (14) mot klokken.
- ◆ Sett bitskaftet (16) inn i borelåsen.
- ◆ Sett nøkkelen (17) inn i hullet (15) på siden av chocken og vri med klokken til den er fast.



ADVARSEL! Før du borer i vegger, gulv eller tak, kontrollerer du plasseringen av kabler og rør.



ADVARSEL! Ikke bruk meisler når verktøyet er i boremodus.

Forover/bakover kjøring (figur I)

- ◆ Beveg valg Bryteren (2) for å velge ønsket retning.

Slå på og av (figur I)

- ◆ For å slå på verktøyet, trykk på bryteren for variabel hastighet (1). Verktøyets hastighet varierer med hvor langt du trykker bryteren.
- ◆ Bruk lav hastighet for bor med stor diameter og høy hastighet for bor med mindre diameter.
- ◆ Når du skal slå verktøyet av, slipper du bryteren for variabel hastighet.

Velge bruksmodus (figur J I)

Verktøyet kan brukes i tre bruksmoduser.

- ◆ For å bruke bruksmodusvelgeren (3) trykker du inn utløserknappen (20) og dreier velgeren til ønsket stilling, slik symbolene viser.

Boring

- ◆ For boring i stål, tre og plast setter du bruksmodusvelgeren (3) i **1** stillingen (19).

Slagboring

- ◆ Hvis du skal bore med slag i mur og betong, setter du bruksmodusvelgeren (3) i stillingen **T1** (18). Når du bruker slag, skal verktøyet gå jevnt og ikke hoppe. Øk hastigheten hvis det trengs.

Slag

- ◆ For slag med spindellås og for lett meisling og hakking, setter du bruksmodusvelgeren (3) i **T** stillingen (21).
- ◆ Når du går fra slagboring til meisling, dreier du meiselen til riktig stilling. Hvis du føler motstand under endring av modus, dreier du på meiselen til spindellåsen griper.

Tilbehør

Verktøyets ytelse avhenger av hva slags tilbehør som brukes. Tilbehør fra Stanley BLACK+DECKER er produsert etter høye kvalitetsstandarder og er konstruert for å bedre verktøyets ytelse. Hvis du bruker dette tilbehøret, får du mest mulig ut av verktøyet ditt.

Vedlikehold

BLACK+DECKER maskinen/verktøyet med eller uten ledning er laget for å brukes over lang tid med et minimum av vedlikehold. For at den skal fungere tilfredsstillende over tid, er det viktig å sørge for riktig stell av verktøyet og regelmessig renhold.



ADVARSEL! Før du utfører vedlikehold på kabedde/ytådløse elektroverktøy:

- ◆ Slå av apparatet/verktøyet og trekk ut støpselet.
- ◆ Eller slå av apparatet/verktøyet og fjern batteriet fra dette hvis apparatet/verktøyet har separat batteripakke.
- ◆ Eller la batteriet gå helt tomt hvis det er innebygd, og slå deretter av.
- ◆ Trekk ut laderen fra stikkkontakten før du rengjør den. Laderen krever ikke annet vedlikehold enn regelmessig rengjøring.
- ◆ Rengjør ventilasjonsåpningene i apparatet/verktøyet/laderen jevnlig med en myk børste eller tørr klut.
- ◆ Rengjør motorhuset regelmessig med en fuktig klut. Ikke bruk slipende eller løsemiddelbaserte rengjøringsmidler.
- ◆ Åpne chocken regelmessig, og bank på den for å fjerne eventuelt støv fra innsiden (hvis det er aktuelt).

Miljøvern



Separat avfallshåndtering. Produkter og batterier merket med dette symbolet skal ikke kastes i vanlig husholdningsavfall.

Produkter og batterier inneholder materialer som kan gjenbrukes eller gjenvinnes for å redusere behovet for nye

råmaterialer.

Vennligst lever elektrisk utstyr og batterier til gjenbruk i henhold til lokale regler. Mer informasjon finner du på www.2helpU.com

EF-samsvarserklæring

MASKINDIREKTIVET



BCD900 Slagdrill

Black & Decker erklærer at disse produktene, som er beskrevet under "Tekniske data", er i samsvar med: EN62841-1:2009+A11:2010, EN62841-2-6:2010.

Disse produktene er også i samsvar med direktiv 2006/42/EU, 2014/30/EU og 2011/65/EU. Hvis du ønsker mer informasjon, kontakt Black & Decker på adressen nedenfor, eller se på baksiden av bruksanvisningen.

Undertegnede er ansvarlig for utarbeidelsen av den tekniske dokumentasjonen og gir denne erklæringen på vegne av

Black & Decker.

Patrick Diepenbach

Patrick Diepenbach
Daglig leder, Benelux
Black and Decker, 2800 Mechelen,
Belgia
30/12/2022

Tekniske data

		BCD900D1S / D1K	BCD900E2K	BCD900M1K	BCD900B
Inngangsspenning	V_{DC}	18	18	18	18
Ubelastet hastighet	min ⁻¹	0 - 1800	0 - 1800	0 - 1800	0 - 1800
Slagfrekvens	min ⁻¹	0 - 6350	0 - 6350	0 - 6350	0 - 6350
Vekt	kg	2,60	2,60	2,87	2,22
Maks borekapasitet					
Betong	mm	18	18	18	18
Stål	mm	13	13	13	13
Tre	mm	25	25	25	25
Batteri		BL2018	BL2518	BL4018	Leveres ikke
Spenning	V_{DC}	18	18	18	
Kapasitet	Ah	2,0	2,5	4,0	
type		Li-Ion	Li-Ion	Li-Ion	

Lader			
Inngangsspenning	V_{AC}	220 - 240	230
Utgangsspenning	V_{DC}	8 - 20	18
Strøm	A	1.0	2.0
Omtrentlig ladetid	time	2 - 4 h	1 - 2 h

Deklareret to-talls støytstøpsverdier i samsvar med ISO 4871	
Målt A-vektet lydteknisk nivå, L_{WA} (ref. 1pW), i desibel = 100 dB(A) Usikkerhet, K_{WA} i desibel = 3 dB(A)	
Målt A-vektet lydteknisk nivå på arbeidetsstedet, L_{WA} (ref. 20µPA), i desibel = 92 dB(A) Usikkerhet, K_{WA} i desibel = 3 dB(A)	
Verdiene er målt i samsvar med støymålestANDARD i EN62841-1:2015+AC:2015+A11:2022, ved bruk av basis standard EN62841-2-6:2020+A11:2020	
MERK - Sum av målt støy og tilhørende usikkerhet representerer en øvre grense for verdier som sannsynligvis kan oppstå under målinger	

Totale vibrasjonsverdier (triax vector sum) bestemt iht. EN 62841		
	arbeidsmodus beskrivelse "Salgborring i betong"	arbeidsmodus beskrivelse "Meisling"
Vibrasjonsutslippsverdi a_h	14,8 m/s ²	18,4 m/s ²
Usikkerhet K	1,5 m/s ²	1,5 m/s ²
Verdier i henhold til EN62841-1:2015+AC:2015+A11:2022 og EN62841-2-6:2020+A11:2020		

Garanti

Black & Decker er trygg på kvaliteten av produktene sine og tilbyr en 24 måneders garanti fra kjøpsdato. Denne garantierklæringen kommer i tillegg til dine lovbestemte rettigheter og er ikke i konflikt med disse. Garantien er gyldig innenfor territoriene til EU-medlemsstatene, Det Europiske Frihandelsområdet (EFTA) og Storbritannia. For å ta garantien i bruk må kravet være i samsvar med kjøpsbetingelsene fra Black&Decker og du må vise kjøpskvittering til forhandleren eller til et autorisert serviceverksted. Betingelsene for Black & Deckers 2 års garanti og adressen til din nærmeste autoriserte serviceverksted kan du finne på internett under www.2helpU.com, eller ved å kontakte ditt lokale Black & Decker kontor, adressen er angitt i denne bruksanvisningen. Besøk våre nettsider på www.blackanddecker.no for å registrere ditt nye Black & Decker-produkt og for å få informasjon om nye produkter og spesialtilbud.

Tilsigtet brug

Din BLACK+DECKER BCD 900 borehammer er designet til boring i træ, metal, plast og murværk samt til skruformål.

Dette værktøj er kun beregnet til forbrugerbrug.

Sikkerhedsinstruktioner

Generelle sikkerhedsadvarsler vedrørende elværktøj



ADVARSEL! Læs alle sikkerhedsadvarsler, instruktioner, illustrationer og specifikationer, der følger med dette elværktøj. Undladelse af at følge alle instruktionerne nedenfor kan resultere i elektrisk stød, brand og/eller alvorlig personskade.

Gem alle advarsler og instruktioner til fremtidig reference.

Udtrykket "elværktøj" i advarselserne refererer til dit netdrevne (med ledning) elværktøj eller batteridrevne (trådløse) elværktøj.

1. Sikkerhed i arbejdsområdet

- Hold arbejdsområdet rent og ordentligt oplyst.** Rodede eller mørke områder giver anledning til ulykker.
- Brug ikke elværktøj i eksplosive omgivelser, f.eks. hvor der er brændbare væsker, gasser eller støv.** Elværktøj danner gnister, der kan antænde støv eller dampe.
- Hold børn og andre personer i nærheden på afstand, når der arbejdes med elværktøj.** Distraktioner kan medføre, at du mister kontrollen.

2. Elektricitet og sikkerhed

- Elværktøjets stik skal passe til kontakten. Stikket må aldrig modificeres på nogen måde.** Undlad at bruge adapterstik sammen med (jordforbundet) elektrisk værktøj. Umodificerede stik og dertil passende stikkontakter reducerer risikoen for elektrisk stød.
- Undgå kropskontakt med jordforbundne overflader som f.eks. rør, radiatorer, komfurer og køleskabe.** Der er øget risiko for elektrisk stød, hvis din krop er jordforbundet.
- Udsæt ikke elværktøj for regn, og brug det ikke, hvor omgivelserne er våde.** Hvis der trænger vand ind i et elektrisk værktøj, øges risikoen for elektrisk stød.
- Pas på, at ledningen ikke beskadiges. Brug aldrig ledningen til at bære, trække værktøjet eller trække det ud af stikkontakten. Hold ledningen borte fra varme, olie, skarpe kanter og bevægelige dele.** Beskadigede eller sammenfiltrede ledninger øger risikoen for elektrisk stød.

- Hvis elværktøj benyttes i det fri, skal der benyttes en forlængerledning, som er godkendt til udendørs brug.** Brug af en ledning, der er egnet til udendørs brug, reducerer risikoen for elektrisk stød.
- Brug en strømkilde med fejlstrømsrelæ, hvis det er nødvendigt at anvende elværktøj på fugtige steder.** Ved at benytte en fejlstrømsafbryder reduceres risikoen for elektrisk stød.

3. Personssikkerhed

- Vær opmærksom, hold øje med, hvad du laver og brug elværktøjet fornuftigt.** Betjen ikke værktøjet, hvis du er træt, påvirket af narkotika, alkohol eller medicin. Et øjeblikvis uopmærksomhed under anvendelse af et elektrisk værktøj kan forårsage alvorlige kvæstelser.
- Brug personligt beskyttelsesudstyr. Bær altid beskyttelsesbriller.** Det er muligt at reducere risikoen for kvæstelser ved alt efter omstændighederne at anvende det passende sikkerhedsudstyr såsom støvmaske, skridsikre sikkerhedssko, sikkerhedshjelm eller høreværn.
- Træf forholdsregler, så utilsigtet start ikke er mulig. Kontrollér, at afbryderkontakten står på slukket, inden værktøjet tilsluttes strømkilden og/eller batteriet, samles op eller bæres.** Når elektrisk værktøj bæres med fingeren på kontakten eller tilsluttes, når kontakten er tændt, giver det anledning til ulykker.
- Fjern indstillingsnøgle eller skruenøgle, inden elværktøjet startes.** En skruenøgle eller anden nøgle, der bliver siddende på en roterende del af elektrisk værktøj, kan give anledning til personskade.
- Stræk dig ikke for langt. Hold hele tiden en god fodstilling og balance.** Dette udgør at du har bedre kontrol over det elektriske værktøj, når uventede situationer opstår.
- Brug egnet arbejdstøj. Bær ikke løst tøj eller smykker. Hold dit hår og tøj væk fra bevægelige dele.** Løstsiddende tøj, smykker eller langt hår kan blive fanget i bevægelige dele.
- Hvis der kan monteres støvudsugnings- og opsamlingsudstyr, skal dette tilsluttes og benyttes korrekt.** Anvendelse af støvopsamlingsudstyr kan begrænse farer forårsaget af støv.
- Lad ikke kendskab fra hyppig brug af værktøjer gøre dig uforsigtig og få dig til at ignorere principperne for værktøjssikkerhed.** En uforsigtig handling kan forårsage alvorlig personskade på en brøkdelt af et sekund.

4. Brug og vedligeholdelse af elværktøj

- Overbelast ikke elværktøjet. Brug det elværktøj, der er bedst egnet til det arbejde, der skal udføres.** Det korrekte elværktøj klarer opgaven bedre og mere sikkert med den effekt, som det er konstrueret til.

- b. **Brug ikke elværktøjet, hvis afbryderkontakten er defekt.** Alt elektrisk værktøj, der ikke kan kontrolleres med kontakten, er farligt og skal repareres.
- c. **Tag stikket ud af strømkilden og/eller fjern batteripakken, hvis den er aftagelig, tilbehørsudskiftning eller opbevaring af elværktøjet.** Sådanne forebyggende sikkerhedsforanstaltninger mindsker risikoen for, at værktøjet startes uligt.
- d. **Opbevar ubenyttet elværktøj uden for børns rækkevidde. Lad aldrig personer, der ikke er fortrolige med elværktøjet, eller som ikke har læst denne vejledning, benytte maskinen.** El-værktøj er farligt i hænderne på personer, som ikke er instrueret i brugen deraf.
- e. **Elværktøj og tilbehør skal vedligeholdes. Kontroller, om bevægelige dele er skæve og ikke sidder fast, og om delene er brækket eller beskadiget, så elværktøjets funktion påvirkes. Hvis det elektriske værktøj er beskadiget, skal det repareres før brug.** Mange ulykker er forårsaget af dårligt vedligeholdt værktøj.
- f. **Hold skæreværktøj skarpt og rent.** Ordentligt vedligeholdt skæreværktøj med skarpe skærekanter har mindre tilbøjelighed til at binde og er lettere at styre.
- g. **Brug elværktøjet, tilbehøret, værktøjsindsatser osv. i overensstemmelse med disse instruktioner under hensyntagen til arbejdsforholdene og arbejdet, der skal udføres med værktøjet.** Brug af elektrisk værktøj til andre opgaver end dem, det er beregnet til, kan resultere i en farlig situation.
- h. **Hold håndtagene og håndtagsfladerne tørre, rene og fri for olie og fedt. Glatte håndtag og gribeblader giver ikke en sikker håndtering og kontrol af værktøjet i uventede situationer.**
5. **Brug og pleje af batteriværktøj**
- a. **Genoplad kun med den oplader, som producenten har angivet.** En oplader, der passer til en type batteripakke, kan udgøre en risiko for brand, når den bruges til en anden type.
- b. **Elværktøj må kun bruges med batteripakker, der er beregnet hertil.** Brugen af andre batteripakker kan medføre personskaade og brand.
- c. **Når batteripakken ikke er i brug, skal den holdes på afstand af andre metalgenstande, f.eks. papirclips, mønter, nøgler, søm, skruer og andre små metalgenstande, som kan skabe forbindelse mellem de to poler.** Kortslutning af batteriet kan forårsage forbrændinger eller brand.
- d. **Under grove forhold kan væske sive ud fra batteriet; undgå kontakt. Hvis der opstår kontakt ved et uheld,**

skyl med vand.

Hvis væske kommer ind i øjnene, søg omgående lægehjælp. Væske, der siver ud fra batteriet, kan fremkalde irritationer eller forbrændinger.

6. Service

- a. **Lad kun fagkyndige personer reparere elværktøjet og benyt kun originale reservedele.**

Derved sikres det, at værktøjets driftssikkerhed opretholdes.

Hammer sikkerhedsadvarsler



ADVARSEL! Sikkerhedsinstruktioner for alle operationer.

- ◆ **Bær høreværn.** Udsættelse for støj kan medføre høretab.
- ◆ **Brug hjælpehåndtag, hvis de følger med værktøjet.** Tab af kontrol kan medføre personskaade.
- ◆ **Hold elværktøjet i de isolerede gribeblader, når du udfører en operation, hvor skæretilbehøret og fastgørelserne kan komme i kontakt med skjulte ledninger eller dets egen ledning.** Hvis skæretilbehøret rammer en strømførende ledning, bliver elværktøjets blotlagte dele strømførende, så brugeren får stød.
- ◆ **Afstiv værktøjet grundigt før brug.** Dette værktøj producerer et højt udgangsmoment, og uden korrekt afstivning af værktøjet under drift, kan du miste kontrollen, hvilket kan resultere i personskaade.

Sikkerhedsinstruktioner ved brug af lange bor med borehammer

- ◆ **Begynd altid at bore ved lav hastighed og med bitspidsen i kontakt med emnet.** Ved højere hastigheder vil boret sandsynligvis bøjes, hvis det får lov til at rotere frit uden at komme i berøring med emnet, hvilket kan resultere i personskaade.
- ◆ **Start altid med at bore ved lav hastighed og med spidsen af boret i kontakt med overfladen.** Ved højere hastigheder vil boret sandsynligvis bøjes, hvis det får lov til at rotere frit uden at komme i berøring med emnet, hvilket kan resultere i personskaade.
- ◆ **Begynd altid med at bore i lav hastighed og med borespidsen i kontakt med emnet.** Bor kan bøje og forårsage brud eller tab af kontrol, hvilket kan resultere i personskaade.
- ◆ **Brug aldrig sæjselfeltilbehør i roterende tilstand.** Tilbehøret sætter sig fast i materialet og roterer boret.
- ◆ **Brug klemmer eller en anden praktisk måde på at sikre og understøtte arbejdsemnet til et stabilt underlag.** Hvis du holder fast i arbejdsemnet med din hånd eller

krop, vil det være ustabil, og det kan medføre, at du mister kontrollen over det.

- ◆ Kontroller placeringen af ledninger og rør, inden der bores i vægge, gulve eller lofter.
- ◆ Rør ikke ved spidsen af et bor lige efter boring, da det kan være varmt.
- ◆ Den tilsigtede anvendelse er beskrevet i denne betjeningsvejledning. Brug af ekstraudstyr eller tilbehør eller udførelse af andre opgaver med dette værktøj end de, der anbefales i denne vejledning, kan medføre risiko for personskade og/eller materiel skade.
- ◆ Brug en ansigts- eller støvmaske, hvor arbejdet forårsager støv eller flyvende partikler.

Andres sikkerhed

- ◆ Dette værktøj er ikke beregnet til anvendelse af personer (inklusive børn) med nedsatte fysiske, sensoriske eller mentale handicaps eller med mangel på erfaringer eller viden, medmindre de er under overvågning eller har fået instruktioner i brugen af værktøjet af en person, der er ansvarlig for deres sikkerhed.
- ◆ Børn skal holdes under opsyn, så det sikres, at de ikke leger med værktøjet.

Resterende risici

Der kan opstå yderligere, tilbageværende risici under brugen af apparatet, som muligvis ikke behandles i de vedlagte sikkerhedsadvarsler. Disse risici kan opstå pga. forkert anvendelse, langvarig brug etc.

Selv ved overholdelse af relevante sikkerhedsforskrifter og anvendelse af sikkerhedsudstyr kan visse resterende risici ikke undgås. Disse omfatter:

- ◆ Tilskadekomst forårsaget af berøring af roterende/ bevægelige dele.
- ◆ Tilskadekomst forårsaget af udskiftning af dele, klinger eller tilbehør.
- ◆ Tilskadekomst forårsaget af langvarig brug af et apparat. Husk at holde pause jævnligt ved brug af et apparat i længere tid.
- ◆ Hørenedsættelse.
- ◆ Sundhedsrisici forårsaget af indånding af støv, der genereres ved brug af dit apparat (eksempel: arbejde med træ, især eg, bøg og MDF.)

Vibration

De angivne værdier for udsendelse af vibration opført under de tekniske data og overensstemmelseserklæringen er målt i henhold til standardtestmetoden anført i EN62841 og kan bruges til at sammenligne ét værktøj med et andet. Den angivne vibrationsmissionsværdi kan også bruges i forbindelse med en foreløbig vurdering af eksponeringen.



ADVARSEL! Værdien for vibrationsemission ved faktisk brug af elværktøjet kan afvige fra den angivne værdi afhængig af måden, værktøjet anvendes på. Vibrationsniveauet kan overstige det angivne niveau.

I vurderingen af eksponeringen for vibration med henblik på fastsættelse af sikkerhedsforanstaltninger skal der tages hensyn til de faktiske betingelser under brugen, og måden værktøjet bruges på, herunder alle arbejdsrytters afsnit, f.eks. perioder, hvor værktøjet er slukket, og hvor det kører i tomgang, tillige med startperioderne.

Mærkater på værktøjet

Værktøjet er forsynet med følgende piktogrammer sammen med en datokode:



ADVARSEL! Brugeren skal læse brugervejledningen for at reducere risikoen for kvæstelser.



Bær høreværn med borehammer. Udsættelse for støj kan medføre høretab



Kig ikke ind i lampen, når den er tændt

Yderligere sikkerhedsvejledninger for batterier og ladere

Batterier

- Forsøg aldrig at åbne den af en eller anden grund.
- Batteriet må ikke udsættes for fugt.
- Batteriet må ikke udsættes for varme.
- Opbevar ikke batterier på steder, hvor temperaturen kan overstige 40 °C.
- Foretag kun opladning ved omgivelsestemperaturer mellem 10 °C og 40 °C.
- Brug kun den oplader, der fulgte med apparatet/værktøjet, til opladning.
- Følg ved bortskaffelse af batterier vejledningen i afsnittet "Miljø".
- Undgå at beskadige/deformere batteripakken ved at punktere den eller slå på den, da dette kan forårsage risiko for tilskadekomst eller brand.
- Beskadigede batterier må ikke oplades.
- Under ekstreme forhold kan der forekomme batterilækage. Hvis du bemærker væske på batterierne, skal du omhyggeligt tørre den af med en klud. Undgå kontakt med huden.
- I tilfælde af kontakt med hud eller øjne skal nedenstående instruktioner følges.



ADVARSEL! Batterivæsken kan forårsage personskader eller materielle skader. I tilfælde af

kontakt med huden skylles straks med vand. Søg læge, hvis der opstår rødme, smerte eller irritation. Skyl straks med rent vand, og søg læge i tilfælde af kontakt med øjnene.

Opladere

Opladeren er udviklet til en specifik spænding. Kontroller altid, at netspændingen svarer til spændingen på typeskiltet.



ADVARSEL! Forsøg aldrig at erstatte opladerenheden med et almindeligt netstik.

- Brug kun din lader til at oplade batteriet i det værktøj, som den blev leveret sammen med. Andre batterier kan eksplodere og forårsage kvæstelser og materielle skader.
- Forsøg aldrig at oplade ikke-genopladelige batterier.
- Hvis netledningen beskadiges, skal den udskiftes af producenten eller et autoriseret værksted, så farlige situationer undgås.
- Udskift straks defekte ledninger.
- Opladeren må ikke udsættes for fugt.
- Opladeren må ikke åbnes.
- Undersøg ikke opladeren.
- Apparatet/værktøjet/batteriet skal anbringes et sted med god udluftning, når det oplades.



Opladeren er kun beregnet til indendørs brug.



Læs brugervejledningen, før værktøjet tages i brug.

Elektricitet og sikkerhed



Opladeren er dobbelt isoleret. Derfor er en jordledning ikke nødvendig. Kontroller altid, at netspændingen svarer til spændingen på typeskiltet. Forsøg aldrig at erstatte opladerenheden med et almindeligt netstik.

- ◆ Hvis netledningen beskadiges, skal den udskiftes af producenten eller et autoriseret BLACK+DECKER-værksted, så farlige situationer

Funktioner

Udstyret har nogle eller alle af de efterfølgende funktioner.

1. Tænd/sluk-kontakt
2. Vælger til skift af retning
3. Knap til valg af borefunktion
4. Dybdestop
5. Værktøjsholder
6. Sidehåndtag
7. LED arbejdslys
8. Batteri

Samling

Anvendelse



ADVARSEL! Lad værktøjet arbejde i dets eget tempo. Det må ikke overbelastes.

- ◆ Lad batteriet helt op, inden det bruges første gang.

BEMÆRK: Hvis enheden pludselig bliver afbrudt under brug, skal du tage batteripakken ud og placere den på opladeren for at lade den helt op.

BEMÆRK: Hvis enheden ikke genstarter efter kraftig brug, skal du lade værktøjet og batteriet køle ned, inden arbejdet genoptages.

Opladning af batteriet (fig. A, B)

Batteriet skal oplades inden ibrugtagningen, og når det ikke leverer strøm nok til opgaver, der tidligere kunne udføres ubesværet. Batteriet kan blive varmt under opladningen. Det er normalt og ikke tegn på problemer.



ADVARSEL! Oplad ikke batteriet ved omgivende temperaturer på under 10 °C eller over 40 °C. Den anbefalede opladningstemperatur er ca. 24 °C.

BEMÆRK: Opladeren oplader ikke et batteri, hvis dets temperatur er under ca. 10 °C eller over 40°C.

Batteriet bør blive siddende i opladeren, som automatisk begynder opladningen, når batteriet opvarmes/afkøles.

- ◆ For at oplade batteriet skal du indsætte batteriet (8) i skrivebordsopladeren (9) eller kopopladeren (11) afhængigt af din model. Batteriet passer kun i opladeren på én måde.
- ◆ Slut skrivebordsopladeren (9) eller kopopladeren (11) til en passende strømkilde og tænd.
- ◆ Afladede batterier bør oplades inden for 1 uge. Batteriets levetid reduceres kraftigt, hvis batteriet opbevares i afladet tilstand.

Isætning og udtagning af batteriet (fig. C, D)

- ◆ Anbring batteriet så det flugter med koblingsstikket på værktøjet, når batteriet skal isættes. Lad batteriet glide ind i fatningen, og skub, indtil batteriet går på plads.
- ◆ Tryk på udløserknappen (8a), og fjern batteriet fra fatningen for at tage batteriet ud.

Montering af sidehåndtaget og dybdestoppet (fig. E)

- ◆ Drej grebet med uret, til du kan trække sidehåndtaget (6) frem til værktøjets forende som vist.
- ◆ Drej sidehåndtaget til den ønskede stilling.
- ◆ Sæt dybdestoppet (4) i monteringshullet som vist.
- ◆ Indstil dybdestoppet til den ønskede position. Den maksimale boreddybde er afstanden mellem borets spids og den forreste del af dybdestoppet.
- ◆ Sørg for, at håndtagspalerne (23) er låst fast på stiverne på huset (22).
- ◆ Spænd sidehåndtaget ved at dreje grebet mod uret.

Påsætning af tilbehør (fig. F - G)

- ◆ Rengør og smør tilbehørets skaft (12).
- ◆ Sæt skaffet ind i værktøjsholderen (5).
- ◆ Tryk tilbehøret ned, og drej det en smule, til det falder i hak i rillerne.
- ◆ Træk i tilbehøret, for at kontrollere at det er korrekt låst. Hammerfunktionen kræver, at tilbehøret kan bevæge sig flere centimeter aksialt, når det er låst fast i værktøjsholderen.
- ◆ Træk patronen tilbage (13), og træk tilbehøret ud for at fjerne det.

Patron med nøgle (fig. H)

- ◆ Åbn patronen ved at dreje muffen (14) mod uret.
- ◆ Sæt borets aksel (16) i patronen.
- ◆ Sæt patronnøglen (17) i hullet (15) på siden af patronen, og drej med uret, til den er strammet.



ADVARSEL! Kontroller placeringen af ledninger og rør, inden der bores i vægge, gulve eller lofter.



ADVARSEL! Anvend aldrig mejsler, når værktøjet er indstillet til borefunktion.

Forlæns-/baglænsbehandling (fig. I)

- ◆ Flyt vælgeren (2) for at indikere den ønskede retning.

Tænd og sluk (fig. I)

- ◆ For at tænde for værktøjet skal du trykke på kontakten til variabel hastighed (1). Værktøjshastigheden afhænger af, hvor meget du trykker på kontakten.
- ◆ Brug generelt lave hastigheder til bor med stor diameter og lave hastigheder til bor med mindre diameter.
- ◆ Udløs kontakten til variabel hastighed for at stoppe værktøjet.

Valg af arbejdsfunktion (fig. J)

Værktøjet har tre arbejdsfunktioner.

- ◆ Funktionsvælgeren (3) anvendes ved at skubbe oplåsningsknappen (20) og rotere vælgeren til den ønskede position som vist med symbolerne.

Boring

- ◆ Ved boring i stål, træ og plastic samt ved brug som skruetrækker skal funktionsvælgeren (3) indstilles til position **1** (19).

Hammerboring

- ◆ Ved hammerboring i murværk og beton skal funktionsvælgeren (3) indstilles til position **T** (18). Ved hammerboring må værktøjet ikke hoppe, men skal arbejde jævnt. Forøg om nødvendigt hastigheden.

Hammerboring

- ◆ Ved hammerboring med spindellås og ved let mejslings-

og hugningsarbejde skal funktionsvælgeren (3) indstilles til position **T** (21).

- ◆ Drej mejslen til den ønskede position ved skift fra hammerboring til mejsling. Drej mejslen en smule, så den går i indgreb med spindellåsen, hvis der mærkes modstand under ændringen.

Tilbehør

Værktøjets ydeevne afhænger af det anvendte tilbehør. Tilbehør fra Stanley BLACK+DECKER er fremstillet efter høje kvalitetsstandarder og er designet til at forbedre dit værktøjs ydeevne. Når du bruger dette tilbehør, vil værktøjet yde optimalt.

Vedligeholdelse

Dit BLACK+DECKER-apparat/værktøj med eller uden ledning er beregnet til brug gennem lang tid med et minimum af vedligeholdelse. Vedvarende tilfredsstillende funktion er afhængig af, om apparatet plejes korrekt og rengøres regelmæssigt.



ADVARSEL! Før udførelse af nogen form for vedligeholdelse på elværktøj med/uden ledning:

- ◆ Sluk, og tag apparatets/værktøjets stik ud af stikkontakten.
- ◆ Rengør jævnligt apparatets/værktøjets/laderens ventilationshuller med en blød børste eller en tør klud.
- ◆ Rengør med jævne mellemrum motorhuset med en fugtig klud. Der må ikke bruges skuremidler eller opløsningsmidler.
- ◆ Åbn jævnligt patronen, og bank på den for at fjerne indvendigt støv (hvis monteret).

Miljøbeskyttelse



Særskilt bortskaftelse. Produkter og batterier mærket med dette symbol må ikke bortskaftes sammen med normalt husholdningsaffald.

Produkter og batterier indeholder materialer, der kan genindvindes eller genanvendes, hvilket reducerer efterspørgslen efter råvarer.

Genbrug venligst elektriske produkter og batterier i henhold til lokale bestemmelser. Yderligere informationer findes på www.2helpU.com

Tekniske data

		BCD900D1S / D1K	BCD900E2K	BCD900M1K	BCD900B
Indgangsspænding	V _{cc}	18	18	18	18
Tomgangshastighed	min ⁻¹	0 - 1800	0 - 1800	0 - 1800	0 - 1800
Slaghastighed	min ⁻¹	0 - 6350	0 - 6350	0 - 6350	0 - 6350
Vægt	kg	2.60	2.60	2.87	2.22

		BCD900D1S / D1K	BCD900E2K	BCD900M1K	BCD900B
Maks. borekapacitet					
Beton	mm	18	18	18	18
Stål	mm	13	13	13	13
Træ	mm	25	25	25	25
Batteri		BL2018	BL2518	BL4018	Medfølger ikke
Spænding	V _{DC}	18	18	18	
Kapacitet	Ah	2.0	2.5	4.0	
type		Li-Ion	Li-Ion	Li-Ion	

Oplader					
Indgangsspænding	V _{AC}	220 - 240		230	
Udgangsspænding	V _{DC}	8 - 20		18	
Strømstyrke	A	1.0		2.0	
Ladetid ca.	time	2 - 4 h		1 - 2 h	

Erklærede dobbeltcifrede støjemissionsværdier i overensstemmelse med ISO 4871	
Målt A-vægtet lydeffektniveau, L _{WA} (ref. 1pW), i decibel = 100 dB(A) Usikkerhed, K _{WA} , i decibel = 3 dB(A)	
Målt A-vægtet lydeffektniveau på arbejdsstationen, L _{PA} (ref. 20µPA), i decibel = 92 dB(A) Usikkerhed, K _{PA} , i decibel = 3 dB(A)	
Værdier fastsat i overensstemmelse med støjtestkode angivet i EN62841-1:2015+AC:2015+A11:2022, med brug af de grundlæggende standarder EN62841-2-6:2020+A11:2020	
BEM/ERK - Summen af en målt støjemissionsværdi og dens tilknyttede usikkerhed repræsenterer en øvre grænse for området af værdier, der sandsynligvis vil forekomme i målinger	

Samlede værdier for vibration (triaksial vektorsum) fastsat iht. EN 62841		
	beskrivelse af arbejdsmetoden 'hammerboring i beton'	beskrivelse af arbejdsmetoden 'mejsling'
Vibrationsemissionsværdi a _n	14.8 m/s ²	18.4 m/s ²
Usikkerhed K	1,5 m/s ²	1,5 m/s ²
Værdier i overensstemmelse med EN62841-1:2015+AC:2015+A11:2022 og EN62841-2-6:2020+A11:2020		

EF-overensstemmelseserklæring MASKINDIREKTIV



BCD900 Slagbor

Black & Decker erklærer, at produkterne beskrevet under "Tekniske data" er i overensstemmelse med:

EN62841-1:2015+AC:2015+A11:2022,
EN62841-2-6:2020+A11:2020.

Disse produkter er endvidere i overensstemmelse med direktiv

2006/42/EF, 2014/30/EU og 2011/65/EU. Kontakt Black & Decker på nedenstående adresse, eller se vejledningens bagside for at få flere oplysninger.

Undertegnede er ansvarlig for udarbejdelsen af de tekniske data og fremsætter denne erklæring på vegne af Black &

Decker.

Patrick Diepenbach

Patrick Diepenbach
General Manager, Benelux
Black and Decker, 2800 Mechelen,
Belgien
30/12/2022

Garanti

Black & Decker er overbevist om den gode kvalitet af sine produkter og giver forbrugerne en garanti på 24 måneder fra købsdatoen. Garantien er et tillæg til forbrugers lovæssige rettigheder og påvirker ikke disse. Garantien er gyldig inden for områderne i EU's medlemsstater, Det Europæiske Frihandelsområde og Det Forenede Kongerige.

Når du gør krav på garantien, skal kravet være i overensstemmelse med Black & Decker vilkår og betingelser, og du skal indsende dokumentation for købet til sælgeren eller til en autoriseret reparatør. Vilkår og betingelser for Black & Decker 2 års garanti og placeringen af dit nærmeste autoriserede serviceværksted kan fås på internettet på www.2helpU.com, eller ved at kontakte dit lokale Black & Decker kontor på den adresse, der er angivet i denne vejledning.

Besøg venligst vores websted www.blackanddecker.co.uk for at registrere dit nye Black & Decker produkt og modtage opdateringer om nye produkter og specielle tilbud.

(Alkuperäisten ohjeiden kaännös)

SUOMI

Käyttötarkoitus

BLACK+DECKER BCD 900 -vasarasi on suunniteltu puun, metallin, muovin ja muurauksen poraamiseen sekä ruuvaustarkoituksiin. Tämä työkalu on tarkoitettu vain kuluttajakäyttöön.

Turvallisuusohjeet



VAROITUS! Lue kaikki tämän sähkötyökalun mukana toimitetut varoitukset, käyttöohjeet ja tekniset tiedot. Kaikkien alla lueteltujen ohjeiden noudattamatta jättäminen voi aiheuttaa sähköiskun, tulipalon ja/tai vakavan vamman.

Säästä kaikki varoitukset ja ohjeet tulevaa käyttöä varten.

Varoituksissa oleva termi "sähkötyökalu" tarkoittaa verkkovirralla toimivaa (johdollista) sähkötyökalua tai akkukäyttöistä (johdotonta) sähkötyökalua.

1. Työalueen turvallisuus

- a. **Pidä työalue puhtaana ja hyvin valaistuna.**
Onnettomuuksia sattuu herkemmin epäsiistissä tai huonosti valaistussa ympäristössä.
- b. **Älä käytä sähkötyökalua räjähdysalttiissa ympäristössä, jossa on syttyvää nestettä, kaasua tai pölyä.** Sähkötyökalujen aiheuttamat kipinät voivat sytyttää pölyn tai kaasut.
- c. **Pidä lapset ja sivulliset loitolla sähkötyökalua käytettäessä.** Keskeytymiskyvyn herpaantuminen voi aiheuttaa hallinnan menettämisen.

2. Sähköturvallisuus

- a. **Sähkötyökalun pistokkeen on sovittava pistorasiaan. Älä koskaan tee pistokkeeseen mitään muutoksia. Älä yhdistä maadoitettua sähkötyökalua jatkojohtoon.** Sähköiskun vaara vähenee, jos pistokkeisiin ei tehdä muutoksia ja ne yhdistetään vain niille tarkoitettuihin pistorasioihin.
- b. **Vältä koskettamasta maadoitettuja pintoja, kuten putkia, lämpöpattereita, liesiä tai jääkaappeja.** Voit saada sähköiskun, jos kehoosi on maadoitettu.
- c. **Älä altista sähkötyökalua sateelle tai kosteudelle.** Sähkötyökaluun menevä vesi lisää sähköiskun vaaraa.
- d. **Älä käsittele virtajohtoa kovakouraisesti. Älä kannata työkaluja sähköjohdosta tai vedä pistoketta pistorasiasta sähköjohdon avulla. Pidä sähköjohto kaukana kuumuudesta, öljystä, terävistä reunoista tai liikkuvista osista.** Vaurioituneet tai sokeutuneet johdot lisäävät sähköiskun vaaraa.
- e. **Käyttäessäsi sähkötyökalua ulkona käytä ainoastaan ulkokäyttöön soveltuvaa jatkojohtoa.** Ulkokäyttöön tarkoitettujen sähköjohdon käyttäminen vähentää sähköiskun vaaraa.
- f. **Jos sähkötyökalua on välttämättä käytettävä kosteassa paikassa, käytä vikavirtasuojalla (RCD) suojattua virtalähdettä.**
Tämä vähentää sähköiskun vaaraa.

3. Henkilöturvallisuus

- a. **Ole valpas, keskity työhön ja noudata tervettä järkeä sähkötyökalun käytössä.**
Älä käytä tätä työkalua ollessasi väsynyt tai alkoholin, huumeiden tai lääkkeiden vaikutuksen alaisena.
Keskeytymisen herpaantuminen hetkeksikin sähkötyökalua käytettäessä voi aiheuttaa vakavan henkilövahingon.
- b. **Käytä henkilökohtaisia suojavarusteita. Käytä aina suojalaseja.** Hengityssuojaimen, liukumattomien

turvajalkineiden, kypärän ja kuulonsuojaimen käyttäminen vähentää henkilövahinkojen vaaraa.

- c. **Vältä tahatonta käynnistämistä. Varmista, että kytkin on OFF-asennossa, ennen kuin liität laitteen virtalähteeseen ja/tai akkuun, nostat laitteen tai kannat sitä.** Sähkötyökalun kantaminen sormi virtakytkimellä lisää onnettomuusvaaraa.
 - d. **Irrota mahdollinen säätö- tai kiintoavain ennen kuin käynnistät sähkötyökalun.** Sähkötyökalun pyöriivään osaan kiinni jäänyt avain voi johtaa loukkaantumiseen.
 - e. **Älä kurkota. Huolehdi siitä, että sinulla on koko ajan tukeva jalansija ja hyvä tasapaino.** Näin voit hallita sähkötyökalua paremmin odottamattomissa tilanteissa.
 - f. **Käytä tarkoitukseen soveltuvia vaatteita. Älä käytä löysiä vaatteita tai koruja. Pidä hiukset ja vaatteet poissa liikkuvista osista.** Löysät vaatteet, korut tai pitkät hiukset voivat tarttua liikkuviin osiin.
 - g. **Jos työkalun voi liittää polyimuriiniin, tarkista, että liitos on tehty asianmukaisesti ja että laitteita käytetään oikealla tavalla.** Pölyn ottaminen talteen voi vähentää pölyn aiheuttamia vaaroja.
 - h. **Vaikka käyttäisit usein työkaluja ja sinulla olisi niistä hyvä tuntemus, älä jätä lukematta työkalun turvallisuusohjeita.** Huolimattomuus voi johtaa vakaviin henkilövahinkoihin jopa sekunnin murto-osassa.
4. **Sähkötyökalujen käyttö ja hoito**
 - a. **Älä ylikuormita sähkötyökalua. Valitse käyttötarkoituksen kannalta oikea sähkötyökalu.** Sähkötyökalu toimii paremmin ja turvallisemmin, kun sitä käytetään sille suunniteltuun käyttötarkoitukseen.
 - b. **Älä käytä sähkötyökalua, jota ei voida käynnistää ja pysäyttää virtakytkimestä.** Jos sähkötyökalua ei voi hallita kytkimen avulla, se on vaarallinen ja se on korjattava.
 - c. **Irrota pistoke virtalähteestä ja/tai irrota akku, jos se on irrotettava, vaihdat tarvikkeita tai siirrä sähkötyökalun varastoitavaksi.** Näin voit vähentää vahingossa käynnistymisen aiheuttaman henkilövahingon vaaraa.
 - d. **Säilytä sähkötyökalut poissa lasten ulottuvilta, kun niitä ei käytetä. Älä anna sähkötyökalua sellaisen henkilön käyttöön, joka ei tunne sitä tai joka ei ole tutustunut tähän käyttöohjeeseen.** Sähkötyökalut ovat vaarallisia kouluttamattomien käyttäjien käsissä.
 - e. **Hoida sähkötyökaluasi ja lisävarusteita huolella.** Tarkista, ettei liikkuvat osat toimivat moitteettomasti ja etteivät ne ole puristuksessa. Tarkista myös, ettei työkalussa ei ole murtuneita tai vahingoittuneita osia, jotka saattaisivat vaikuttaa haitallisesti sen toimintaan. Jos havaitset vaurioita, korjauta sähkötyökalu ennen niiden käyttämistä. Huonosti kunnossapidetyt sähkötyökalut aiheuttavat

onnettomuuksia.

- f. **Pidä leikkausterät terävinä ja puhtaina.** Kunnossa pidettyjen leikkaavia teräviä reunoja sisältävien työkalut todennäköisyys jumiutua vähenee, ja niitä on helpompi hallita.
- g. **Käytä sähkötyökaluja, tarvikkeita, vaihtoteriä yms. näiden ohjeiden mukaisesti. Ota tällöin huomioon työolosuhteet ja suoritettava toimenpide.** Jos sähkötyökalua käytetään näiden ohjeiden vastaisesti, voi syntyä vaaratilanne.
- h. **Pidä kahvat ja kädensijat kuivina ja puhtaina öljystä ja rasvasta. Liukkaat kahvat ja kädensijat estävät työkalun turvallisen käsittelyn ja hallinnan odottamattomissa tilanteissa.**

5. Akkutyökalun käyttö ja huolto

- a. **Lataa akku vain valmistajan määrittelemällä laturilla.** Laturi, joka on sopiva yhden tyyppiselle akulle, voi aiheuttaa tulipalon vaaran, jos sitä käytetään toisen tyyppisellä akulla.
- b. **Käytä sähkötyökalussa ainoastaan kyseiseen sähkötyökaluun tarkoitettua akkua.** Muun tyyppisen akun käyttö saattaa johtaa loukkaantumiseen ja tulipaloon.
- c. **Pidä irrallinen akku loitolla metalliesineistä, kuten paperiliittimistä, kolikoista, avaimista, nauloista, ruuveista tai muista pienistä metalliesineistä, jotka voivat aiheuttaa oikosulun akun navoissa.** Kennon pinteiden oikosulku voi aiheuttaa palovammoja tai tulipalon.
- d. **Väärin käytetystä akusta voi vuotaa nestettä. Älä kosketa sitä. Jos nesteen kanssa joutuu kosketuksiin, huuhtelee vedellä. Jos nestettä joutuu silmiin, hakeudu lisäksi lääkärin hoitoon.** Akusta roiskunut neste saattaa aiheuttaa ärsytystä tai palovammoja.

6. Huolto

- a. **Korjauta sähkötyökalu koulutetulla ja ammattitaitoisella henkilöllä ja hyväksy korjauksiin vain alkuperäisiä varaosia.** Tämä varmistaa sähkötyökalun turvallisuuden.
- b. **Älä koskaan huolla vaurioituneita akkuja.** Ainoastaan valmistaja tai valtuutetut huoltoliikkeet saavat huoltaa akkuja (koskee vain akkutyökaluja).

Varoitukset vasaran turvallisuudesta



VAROITUS! Turvallisuusohjeet kaikkien toimintoihin.

- ◆ **Käytä kuulonsuojaimia.** Melulle altistuminen voi aiheuttaa kuulon menetyksen.
- ◆ **Käytä lisäkahvoja, jos ne toimitetaan työkalun mukana.** Hallinnan menetys voi aiheuttaa henkilövahingon.

- ◆ **Pidä sähkötyökalusta kiinni eristetyistä tartuntapinnoista, kun suoritat toimenpiteitä, joissa leikkaustarvikke ja kiinnikkeet voivat koskettaa piilotettuja johtoja tai sen omaa johtoa.** Terien osuminen jännitteiseen johtoon tekee sen paljaista metalliosista jännitteisiä, joten käyttäjä voi saada sähköiskun.
- ◆ **Tartu työkaluun hyvällä otteella ennen käyttöä.** Tämä työkalu tuottaa suuren momentin, mikä voi johtaa hallinnan menetykseen ja henkilövahinkoihin, mikäli työkalusta ei pidetä hyvin kiinni.

Turvallisuusohjeet käytettäessä pitkiä poravasaroita

- ◆ **Aloita poraus aina pienellä nopeudella ja terän kärjen ollessa kosketuksessa työkappaleeseen.** Suuremmilla nopeuksilla terä voi taipua ja aiheuttaa henkilövahinkoja, jos sen annetaan pyöriä vapaasti työstökappaleesta irti.
- ◆ **Aloita poraus aina alhaisella nopeudella poran terän koskettaessa työstökappaleeseen.** Suuremmilla nopeuksilla terä voi taipua ja aiheuttaa henkilövahinkoja, jos sen annetaan pyöriä vapaasti työstökappaleesta irti.
- ◆ **Kohdista terään voimaa vain suorassa linjassa välttäen liiallista painetta.** Terät voivat taipua ja aiheuttaa murtumisen tai hallinnan menetyksen, mikä voi johtaa henkilövahinkoihin.
- ◆ **Älä koskaan käytä talttaosaa ruuvaustilassa.** Lisävaruste juuttuu materiaaliin ja kiertää poraa.
- ◆ **Käytä puristimia tai muuta käytännöllistä tapaa kiinnittää ja tukea työstökappale tukevalle alustalle.** Työn pitäminen käsin tai vartaloa vasten on epävakaata ja saattaa johtaa kontrollin menetykseen.
- ◆ **Ennen kuin poraat seiniä, lattioita tai kattoja, tarkista sähköjohtojen ja putkien sijainti.**
- ◆ **Älä koske terään heti poraamisen jälkeen.** Terä saattaa olla kuuma.
- ◆ **Tarkoitettu käyttö on kuvattu tässä käyttöohjeessa.** Käytä työkalua ainoastaan sellaiseen työhön, johon se on tarkoitettu, ja käytä vain tässä käyttöohjeessa suositeltuja tarvikkeita ja lisälaitteita. Ohjeesta poikkeava käyttö voi aiheuttaa henkilö- ja/tai omaisuusvahinkoja.
- ◆ **Käytä hengityssuojainta, mikäli työkalun käyttö voi tuottaa pölyä tai lentäviä hiukkasia.**

Muiden henkilöiden turvallisuus

- ◆ **Tämä laite ei ole tarkoitettu henkilöiden (mukaan lukien lapset) käytettäväksi, joiden fyysiset, sensoriset tai henkiset kyvyt tai kokemus ja tietämys ovat rajalliset, ellei heidän turvallisuudestaan vastuussa oleva henkilö valvo tai ohjaa heitä laitteen käytössä.**
- ◆ **Lapsia tulee valvoa ja varmistaa, että he eivät leiki laitteella.**

Muut riskit.

Myös muut kuin turvavaroituksissa mainitut riskit ovat mahdollisia laitetta käytettäessä. Nämä riskit voivat liittyä muun muassa virheelliseen tai pitkäaikaiseen käyttöön. Tiettyjä jäännösriskejä ei voi välttää, vaikka noudatetaan kaikkia turvamaäräyksiä ja käytät turvalaitteita. Näitä ovat:

- Pyörivien tai liikkuvien osien koskettamisen aiheuttamat vahingot.
- Osia, teriä tai lisävarusteita vaihdettaessa aiheutuneet vahingot.
- Työkalun pitkäaikaisen käytön aiheuttamat vahingot. Varmista, että pidät säännöllisesti taukoja laitteen pitkäaikaisen käytön aikana.
- Kuulon heikkeneminen.
- Työkalua käytettäessä (esimerkiksi puuta, erityisesti tammea, pyökkiiä ja MDF-levyjä käsitellessä) syntyneen pölyn sisäänhengityksen aiheuttamat terveysriskit.

Tärinä

Teknisissä tiedoissa ja vaatimustenmukaisuusilmoituksessa ilmoitetut tärinäpäästöarvot on mitattu standardin EN62841 testausmenetelmän mukaisesti, ja niiden avulla voidaan vertailla työkaluja keskenään. Ilmoitettua tärinäpäästöarvoa voi käyttää myös altistumisen alustavaan arviointiin.



VAROITUS! Sähkötyökalun käytön aikana mitattu todellinen tärinäpäästöarvo voi poiketa ilmoitetusta tärinäpäästöarvosta työkalun käyttötavan mukaan. Tärinätaso voi olla ilmoitettua tasoa suurempi.

Kun tärinälle altistumista arvioidaan turvatoimenpiteiden määrittämiseksi, tärinälle altistumisen arvioinnissa on otettava huomioon todelliset käyttöolosuhteet ja työkalun käyttötavat. Todellisen käytön lisäksi on kiinnitettävä huomiota myös siihen, milloin työkalu on sammutettuna tai se käy tyhjäkäynnillä.

Työkalun tarrat

Työkaluun on merkitty päivämääräkoodi sekä seuraavat varoitusmerkinnot:



VAROITUS! Käyttäjän on luettava käyttöohje vahinkojen välttämiseksi.



Käytä kuulosuojaimia pyörivillä vasaralla. Melulle altistuminen voi aiheuttaa kuulon menetyksen.



Älä katso suoraan toiminnassa olevaan lampuun

- Älä altista akkua kuumuudelle.
- Älä säilytä akkuja tiloissa, joissa lämpötila voi nousta yli 40 °C:een.
- Lataa akku paikassa, jonka lämpötila on vähintään 10 °C ja enintään 40 °C.
- Käytä akun lataamiseen vain laitteen mukana toimitettua laturia.
- Noudata akkuja hävittäessäsi kohdassa "Ympäristönsuojelu" annettuja ohjeita.
- Suojaa akkua vahingoittumiselta niin, ettei sen kotelo rikkoudu eikä siihen kohdistu iskuja, sillä muutoin voi syntyä henkilövahinkojen ja tulipalon vaara.
- Älä lataa viallisia akkuja.
- Vaativissa oloissa voi ilmetä akkuvuotoja. Jos havaitset akkujen pinnalla nestettä, pyyhi se huolellisesti pois. Vältä ihokosketusta.
- Jos nestettä joutuu silmiin tai iholle, noudata alla olevia ohjeita.



VAROITUS! Akkuneeste voi aiheuttaa aineellisia vahinkoja tai henkilövahinkoja. Jos nestettä joutuu iholle, se on välittömästi huuhdeltava pois vedellä. Jos ihoa kirvelee tai se punottaa tai on muuten ärtynyt, kysy läisäohjeita lääkäriltä. Jos nestettä joutuu silmiin, huuhto välittömästi puhtaalla vedellä ja mene lääkärin.

Laturit

Laturi on tarkoitettu tietylle jännitteelle. Tarkista aina, että verkkojännite vastaa arvokilvessä ilmoitettua jännitettä.



VAROITUS! Älä yritä vaihtaa laturin tavallista verkkovirran pistoketta.

- Käytä laturia vain laitteen mukana toimitetun akun lataamiseen. Muut akut voivat räjähtää ja aiheuttaa henkilövahinkoja tai aineellisia vahinkoja.
- Älä koskaan yritä ladata akkuja, joita ei ole tarkoitettu ladattavaksi.
- Jos virtajohto vahingoittuu, sen vaihtaminen on turvallisuussyistä jätettävä valmistajan tai valtuutetun huollon tehtäväksi.
- Vaihda vialliset johdot välittömästi ehjiin.
- Älä altista laturia vedelle.
- Älä avaa laturia.
- Älä työnnä mitään laturin sisään.
- Lataa laite/työkalu/akku paikassa, jossa on kunnollinen ilmanvaihto.



Laturi on tarkoitettu ainoastaan sisäkäyttöön.



Lue käyttöohjeet huolellisesti ennen laitteen käyttöä.

Sähköturvallisuus



Laturi on kaksoeristetty, joten erillistä maadoitusta ei tarvita. Tarkista aina, että verkkojännite vastaa arvokilvessä ilmoitettua jännitettä. Älä yritä vaihtaa laturiin tavallista verkkovirran pistoketta.

Akkua ja laturia koskevat lisäturvaohjeet

Akut

- Älä koskaan yritä avata mistään syyssä.
- Älä anna akun kastua.

- ◆ Jos virtajohto vahingoittuu, sen vaihtaminen on turvallisuussyistä jätettävä valmistajan tai valtuutetun BLACK+DECKER-huoltopalvelun tehtäväksi.

Yleiskuvaus

Tässä laitteessa on joitakin tai kaikki seuraavista ominaisuuksista.

1. Virtakytkin
2. Suunnanvaihtokytkin
3. Poraustilan valitsin
4. Syvyyden pysäytin
5. Työkalupidike
6. Sivukahva
7. LED-työvalo
8. Akku

Asennus

Käyttö



VAROITUS! Anna työkalun käydä omaan tahtiinsa.

Älä ylikuormita sitä.

- ◆ Lataa akku kokonaan ennen ensimmäistä käyttökertaa.

HUOMAUTUS: Jos laitteen virta loppuu yllättäen käytön aikana, irrota akku ja aseta se latautumaan täyteen.

HUOMAUTUS: Jos laite ei käynnisty uudelleen vaativan käytön jälkeen, anna työkalun ja akun jäähtyä ennen työtoimenpiteiden jatkamista.

Akun lataaminen (kuvat A, B)

Lataa akku ennen ensimmäistä käyttökertaa ja aina, kun se ei enää tuota riittävästi virtaa toimintoihin, jotka aiemmin sujuivat helposti. Akku voi lämmetä ladattaessa. Tämä on normaalia, eikä se ole merkki mistään viasta.



VAROITUS! Älä lataa akkua alle 10 °C tai yli 40 °C asteen lämpötilassa. Suositeltava latauslämpötila on 24 °C.

HUOMAUTUS: Laturi ei lataa akkua, jos akun kennon lämpötila on alle 10 °C tai yli 40 °C.

Akku tulee kuitenkin jättää laturiin. Laturi aloittaa lataamisen automaattisesti, kun kennon lämpötila nousee tai laskee riittävästi.

- ◆ Lataa akku asettamalla akku (8) pöytälaturiin (9) tai kuppilaturiin (11) mallista riippuen. Akku sopii laturiin vain yhdessä asennossa.
- ◆ Kytke pöytälaturi (9) tai kuppilaturi (11) asianmukaiseen virtalähteeseen ja kytke se päälle.
- ◆ Lataa akut yhden viikon kuluessa niiden tyhjentyemisestä. Akkujen käyttöikä lyhenee merkittävästi, jos ne jätetään tyhjiksi pitkäksi aikaa.

Akun kiinnittäminen ja irrottaminen (kuvat C, D)

- ◆ Kiinnitä akku kohdistamalla se työkalun kiinnityssyvennykseen. Liu'uta akkua

- kiinnityssyvennykseen, kunnes se lukittuu paikalleen.
- ◆ Irrota akku painamalla vapautuspainiketta (8a) ja irrottamalla akku kiinnityssyvennyksestä.

Sivukahvan ja syvyyusrajoittimen kiinnittäminen (kuva E)

- ◆ Kierrä kahvaa myötäpäivään, kunnes voit työntää sivukahvan (6) työkalun eteen kuvan osoittamalla tavalla.
- ◆ Kierrä sivukahva haluttuun asentoon.
- ◆ Työnnä syvyyusrajoitin (4) asennusreikään kuvan osoittamalla tavalla.
- ◆ Säädä syvyydenrajoitin haluttuun kohtaan. Suurin poraussyvyys on sama kuin poranterän kärjen ja syvyyusrajoittimen etuosan välinen etäisyys.
- ◆ Varmista, että kahvan syvennykset (23) ovat lukittuneet kotelossa (22) oleviin kielekkeisiin.
- ◆ Kiristä sivukahva kiertämällä kahvaa vastapäivään.

Lisävarusteen kiinnittäminen (kuvat F - G)

- ◆ Puhdista ja rasvaa lisävarusteen varsi (12).
 - ◆ Aseta varsi työkalupidikkeeseen (5).
 - ◆ Työnnä lisävarustetta alas ja käännä sitä hieman, kunnes se asettuu uriin.
 - ◆ Tarkista lisävarustetta vetämällä, että se on lukittunut kunnolla.
- Iskutoiminnon vuoksi lisävarusteen on voitava liikkua useita senttimetrejä akselin suuntaisesti, kun se on työkalun pitimeen lukittuna.
- ◆ Irrota lisävaruste vetämällä holkki (13) taakse ja vetämällä lisävaruste ulos.

Avaimella kiristettävä istukka (kuva H)

- ◆ Avaa istukka kiertämällä holkkia (14) vastapäivään.
- ◆ Työnnä terän varsi (16) istukkaan.
- ◆ Työnnä istukan avain (17) istukan sivulla olevaan reikään (15) ja kiristä kiertämällä myötäpäivään.

Varoitus! Ennen kuin poraat seinää, lattioita tai kattoja, tarkista sähköjohtojen ja putkien sijainti.

Varoitus! Älä käytä talttaosia, kun työkalu on poraustilassa.

Suunnan vaihtaminen (kuva I)

- ◆ Siirrä valitsin (2) haluamaasi asentoon.

Käynnistäminen ja sammuttaminen (kuva I)

- ◆ Käynnistä työkalu painamalla nopeudensäätökytkintä (1). Työkalun nopeus riippuu kytkimen painamissyvyydestä.
- ◆ Yleissääntönä on, että matalat nopeudet sopivat halkaisijaltaan suurille poranterille ja suuret pienille poranterille.
- ◆ Sammuta laite vapauttamalla nopeudensäätökytkin.

Toimintatilan valitseminen (kuva J)

Työkalua voidaan käyttää kolmessa toimintatilassa.

- ◆ Käytä toimintatilan valitsinta (3) painamalla vapautuspainiketta (20) ja kierrä valitsin haluamaasi asentoon symbolien mukaisesti.

Poraaminen

- ◆ Kun poraat terästä, puuta ja muovia tai kiinnität ruuveja, aseta käyttöasennon valitsin (3) 1-asentoon (19).

Iskuporaaminen

- ◆ Kun iskuporaat kivimateriaalia ja betonia, aseta toimintatilan valitsin (3) T 2-asentoon (18). Iskuporattaessa työkalu ei saa pomppia, vaan sen tulee toimia tasaisesti. Lisää tarvittaessa nopeutta.

Vasarointi

- ◆ Kun vasaroit karalukolla tai suoritat kevyitä kaiverrus- ja talttaustöitä, aseta käyttöasennon valitsin (3) T -asentoon (21).
- ◆ Kun vaihdat iskuporauksesta talttauksen, käännä taltta haluamaasi asentoon. Jos vaihdon aikana tuntuu vastusta, kytkä karalukko kääntämällä talttaa hieman.

Lisävarusteet

Työkalun suorituskyky riippuu käytetystä lisävarusteesta.

Korkealaatuiset Stanley BLACK+DECKER -lisävarusteet on suunniteltu parantamaan työkalun suorituskykyä. Käyttämällä näitä lisävarusteita saat työkalustasi parhaan hyödyn.

Huolto

Verkkojohdolla varustettu tai verkkojohdoton BLACK+DECKER-laite on suunniteltu toimimaan mahdollisimman kauan mahdollisimman vähällä huollolla. Oikea käsittely ja säännöllinen puhdistus varmistavat laitteen ongelmattoman toiminnan.



VAROITUS! Toimi seuraavasti ennen johdollisen/johdotoman sähkötyökalun huoltoa:

- ◆ Sammuta laite/työkalu ja irrota se verkkovirrasta.
- ◆ Jos laitteessa/työkalussa on erillinen akku, sammuta laite/työkalu ja irrota sen akku.
- ◆ Jos akku on kiinteä, käytä akku täysin loppuun ja sammuta laite sen jälkeen.
- ◆ Irrota laturi pistorasiasta ennen laturin puhdistamista. Laturi ei tarvitse säännöllisen puhdistamisen lisäksi mitään muuta huoltoa.
- ◆ Puhdista laitteen/työkalun/laturin ilma-aukot säännöllisesti pehmeällä harjalla tai kuivalla kangasliinalla.
- ◆ Puhdista moottorin kotelo säännöllisesti kostealla liinalla. Älä käytä hankaavia tai liuotinpohjaisia puhdistusaineita.
- ◆ Avaa istukka säännöllisesti ja naputtele pöly pois sen sisästä (soveltuvin osin).

Ympäristönsuojelu



Toimita tämä laite erillisleräykseen. Tällä symbolilla merkityt tuotteet ja akkuja ei saa hävittää tavallisen kotilousjätteen mukana.

Tuotteissa ja akkuissa on materiaaleja, jotka voidaan ottaa talteen tai kierrättää uudelleen käyttöä varten.

Kierrätä sähkölaitteet ja akut paikallisten määräyksien mukaan. Lisätietoa on saatavilla osoitteessa www.2helpU.com

Tekniset tiedot

		BCD900D1S / D1K	BCD900E2K	BCD900M1K	BCD900B
Syöttöjännite	V _{DC}	18	18	18	18
Kuormittamaton nopeus	min ⁻¹	0 - 1800	0 - 1800	0 - 1800	0 - 1800
Iskutaajuus	min ⁻¹	0 - 6350	0 - 6350	0 - 6350	0 - 6350
Paino	kg	2,60	2,60	2,87	2,22
Suurin mahdollinen porausteho					
Betoni	mm	18	18	18	18
Teräs	mm	13	13	13	13
Puu	mm	25	25	25	25
Akku		BL2018	BL2518	BL4018	Ei toimiteta laitteen mukana
Jännite	V _{DC}	18	18	18	
Teho	Ah	2,0	2,5	4,0	
tyyppi		Li-Ion	Li-Ion	Li-Ion	

Laturi			
Tulojännite	V _{AC}	220 - 240	230
Lähtöjännite	V _{DC}	8 - 20	18
Virta	A	1.0	2.0
Keskim. latausaika	tunnin	2 - 4 h	1 - 2 h

Standardin ISO 4871 mukaan ilmoitetut kaksinumeroiset äänipäästöarvot
Mitattu A-painotettu äänitehotaso, L _{WA} (viite 1pW), desibeleinä = 100 dB(A) Epävarmuus, K _{WA} , desibeleinä = 3 dB(A)
Mitattu A-painotettu äänitehotaso työasemalla, L _{PA} (viite 20µPA), desibeleinä = 92 dB(A) Epävarmuus, K _{PA} , desibeleinä = 3 dB(A)
Arvot määritetty standardin EN62841-1:2015+AC:2015+A11:2022 mukaisella äänitestikoodilla soveltaen perustandardia EN62841-2:2020+A11:2020
HUOMAA: Mitatun äänipäästöarvon summa ja sen vastaava epävarmuus vastaavat mittauksissa todennäköisesti ilmeneviä ylempiä arvoja

Tärinän kokonaisarvot (vektorisumma), määritetty standardin EN 62841 mukaisesti		
	työtöilan kuvaus "iskuporattaessa betonia"	työtöilan kuvaus "piikatessa"
Tärinápäästäáarvo a _v	14,8 m/s ²	18,4 m/s ²
Epävarmuus K	1,5 m/s ²	1,5 m/s ²
Arvot määritetty standardin EN62841-1:2015+AC:2015+A11:2022 ja EN62841-2-6:2020+A11:2020 mukaan		

EY-vaatimustenmukaisuusvakuutus

KONEDIREKTIVII



BCD900 Iskuporakone

Black & Decker ilmoittaa, että Tekniset tiedot -kohdassa kuvatut tuotteet täyttävät seuraavien direktiivien vaatimukset:

EN62841-1:2015+AC:2015+A11:2022,

EN62841-2-6:2020+A11:2020.

Nämä tuotteet täyttävät myös direktiivien 2006/42/EY, 2014/30/EY ja 2011/65/EY vaatimukset. Lisätietoja saa ottamalla yhteyden Black & Decker seuraavassa osoitteessa.

Tiedot ovat myös käyttöohjeen takakannessa.

Allekirjoittanut vastaa teknisten tietojen kokoamisesta tehden tämän ilmoituksen Black & Deckerin puolesta.

Patrick Diepenbach

Pääjohtaja, Benelux

Black and Decker, 2800 Mechelen,

Belgia

30/12/2022

Takuu

Black & Decker on vakuuttanut tuotteidensa korkeasta laadusta ja tarjoaa kuluttajille 24 kuukauden takuun, joka astuu voimaan ostopäivänä. Takuu on lisäksi kuluttajan laillisiin oikeuksiin eikä vaikuta niihin. Takuu on voimassa Euroopan unionin jäsenvaltioiden, Euroopan vapaakauppa-alueen ja Yhdistyneen kuningaskunnan alueilla.

Edellytyksenä takuun saamiselle on, että vaade täyttää Black & Deckerin ehdot ja että ostaja toimittaa ostotositteen jälleenmyyjälle tai valtuutetulle huoltoliikkeelle. Black & Deckerin kahden vuoden takuun ehdot ja lähimmän valtuutetun korjauspalvelun yhteystiedot ovat saatavilla osoitteessa www.2helpU.com tai ottamalla yhteyttä paikalliseen Black & Deckerin toimipisteeseen tässä ohjekirjassa ilmoitettuun osoitteisiin.

Käy verkkosivuiltamme osoitteessa www.blackanddecker.fi ja rekisteröi uusi Black & Decker -tuotteesi saadaksesi tietoa uusista tuotteista ja erikoistarjouksista.

Προβλεπόμενη χρήση

Το περιστροφικό σφυρί BLACK+DECKER BCD 900 έχει σχεδιαστεί για διάτρηση σε ξύλο, μέταλλο, πλαστικό και τοιχοποιία καθώς και για βιδώματα. Αυτό το εργαλείο προορίζεται μόνο για χρήση από καταναλωτές.

Οδηγίες ασφαλείας



ΠΡΟΕΙΔΟΠΟΙΗΣΗ! Διαβάστε όλες τις προειδοποιήσεις ασφαλείας, τις οδηγίες, τις απεικονίσεις και τις προδιαγραφές που συνοδεύουν αυτό το ηλεκτρικό εργαλείο. Η μη τήρηση όλων των οδηγιών που αναφέρονται παρακάτω μπορεί να οδηγήσει σε ηλεκτροπληξία, πυρκαγιά ή/και σοβαρό τραυματισμό.

Φυλάξτε όλες τις προειδοποιήσεις και τις οδηγίες για μελλοντική αναφορά. Ο όρος «ηλεκτρικό εργαλείο» στις προειδοποιήσεις αναφέρεται στο ηλεκτρικό εργαλείο που λειτουργεί με καλώδιο (με καλώδιο) ή στο ηλεκτρικό εργαλείο που λειτουργεί με μπαταρία (ασύρματο).

1. Ασφάλεια χώρου εργασίας

- Διατηρείτε το χώρο εργασίας καθαρό και καλά φωτισμένο.** Οι ατακτοποιητοί ή σκοτεινοί χώροι γίνονται αιτίες ατυχημάτων.
- Μη χρησιμοποιείτε ηλεκτρικά εργαλεία σε περιβάλλον όπου υπάρχει κίνδυνος έκρηξης, όπως με παρουσία εύφλεκτων υγρών, αερίων ή σκόνης.** Τα ηλεκτρικά εργαλεία παράγουν σπινθήρες που μπορεί να προκαλέσουν ανάφλεξη της σκόνης ή των αναθυμιάσεων.
- Όταν χρησιμοποιείτε ηλεκτρικό εργαλείο, κρατάτε μακριά τα παιδιά και άλλα άτομα.** Παράγοντες που αποσπούν την προσοχή μπορεί να σας κάνουν να χάσετε τον έλεγχο.

2. Ασφαλής χρήση ηλεκτρικού ρεύματος

- Τα φως των ηλεκτρικών εργαλείων πρέπει να ταιριάζουν στην πρίζα. Σε καμία περίπτωση μην τροποποιήσετε το φως, με κανένα τρόπο. Μη χρησιμοποιείτε φως προσαρμογής με γειωμένα ηλεκτρικά εργαλεία.** Τα φως που δεν έχουν υποστεί τροποποιήσεις και οι κατάλληλες πρίζες μειώνουν τον κίνδυνο ηλεκτροπληξίας.
- Αποφεύγετε την επαφή του σώματός σας με γειωμένες επιφάνειες, όπως σωλήνες, calorifέρ, κουζίνες και ψυγεία.** Υπάρχει αυξημένος κίνδυνος ηλεκτροπληξίας αν το σώμα σας είναι γειωμένο.
- Μην εκθέτετε τα ηλεκτρικά εργαλεία σε βροχή ή υγρασία.** Η διείσδυση νερού σε ένα ηλεκτρικό εργαλείο αυξάνει τον κίνδυνο ηλεκτροπληξίας.
- Μην κακομεταχειρίζεστε το καλώδιο. Ποτέ μη χρησιμοποιήσετε το καλώδιο για να μεταφέρετε, να τραβήξετε ή να αποσυνδέσετε από την πρίζα το ηλεκτρικό εργαλείο. Κρατάτε το καλώδιο μακριά από θερμότητα, λάδια, αιχμηρά άκρα ή κινούμενα μέρη.** Τα καλώδια που έχουν υποστεί ζημιά ή είναι μπερδεμένα αυξάνουν τον κίνδυνο ηλεκτροπληξίας.
- Όταν χρησιμοποιείτε ηλεκτρικό εργαλείο σε εξωτερικούς χώρους, να χρησιμοποιείτε πάντοτε**

καλώδιο επέκτασης κατάλληλο για εργασία σε εξωτερικούς χώρους. Η χρήση καλωδίου κατάλληλου για εργασία σε εξωτερικούς χώρους μειώνει τον κίνδυνο ηλεκτροπληξίας.

στ. Εάν είναι αναπόφευκτη η χρήση ενός ηλεκτρικού εργαλείου σε συνθήκες υγρασίας, χρησιμοποιήστε μια διάταξη προστασίας από ρεύμα διαρροής (RCD). Η χρήση μιας διάταξης RCD μειώνει τον κίνδυνο ηλεκτροπληξίας.

3. Προσωπική ασφάλεια

- α. Όταν χρησιμοποιείτε ηλεκτρικό εργαλείο, να είστε σε εγρήγορση, να συγκεντρώνετε στην εργασία που κάνετε και να επιστρατεύετε την κοινή λογική. Μην χρησιμοποιείτε ηλεκτρικό εργαλείο όταν είστε κουρασμένος/η ή υπό την επίρεια ναρκωτικών, οιονοπνεύματος ή φαρμακευτικής αγωγής. Μια στιγμή απροσεξίας κατά τη χρήση ηλεκτρικών εργαλείων μπορεί να προκαλέσει σοβαρό τραυματισμό.
- β. Να χρησιμοποιείτε ατομικό εξοπλισμό προστασίας. Πάντα φοράτε προστασία ματιών. Ο εξοπλισμός προστασίας, όπως μάσκα κατά της σκόνης, αντιολισθητικά παπούσια ασφαλείας, κράνος ή προστασία ακοής, όταν χρησιμοποιείται για τις κατάλληλες συνθήκες, θα μειώσει τους τραυματισμούς και τις σωματικές βλάβες.
- γ. Αποτρέψτε την ακούσια ενεργοποίηση. Βεβαιωθείτε ότι ο διακόπτης βρίσκεται στη θέση απενεργοποίησης, πριν συνδέσετε το εργαλείο στην πηγή ρεύματος και/ή τοποθετήσετε το πακέτο μπαταρίας, καθώς και πριν πάρετε στα χέρια σας ή μεταφέρετε το εργαλείο. Η μεταφορά ηλεκτρικών εργαλείων με το δάχτυλο πάνω στο διακόπτη ή η σύνδεση στο ρεύμα ηλεκτρικών εργαλείων με το διακόπτη στη θέση ενεργοποίησης, ενέχει κινδύνους ατυχημάτων.
- δ. Πριν θέσετε το ηλεκτρικό εργαλείο σε λειτουργία, αφαιρέστε τυχόν εργαλεία ή κλειδιά ρύθμισης. Εάν αφήσετε ένα εργαλείο ή κλειδί πάνω σε κάποιο περιστρεφόμενο εξάρτημα του ηλεκτρικού εργαλείου, μπορεί να προκληθούν τραυματισμοί.
- ε. Μην τεντώνετε υπερβολικά. Διατηρείτε πάντα σταθερή στήριξη στα πόδια σας και καλή ισορροπία. Έτσι μπορείτε να έχετε καλύτερο έλεγχο του ηλεκτρικού εργαλείου σε μη αναμενόμενες καταστάσεις.
- στ. Φοράτε κατάλληλη ενδυμασία εργασίας. Μην φοράτε φαρδιά ρούχα ούτε κοσμήματα. Κρατάτε τα μαλλιά, Κρατήστε τα μαλλιά και τα ρούχα σας μακριά από κινούμενα μέρη. Τα φαρδιά ρούχα, τα κοσμήματα και τα μακριά μαλλιά μπορούν να πιαστούν σε κινούμενα μέρη.
- ζ. Αν παρέχονται διατάξεις για τη σύνδεση συστημάτων απομάκρυνσης και συλλογής της σκόνης, βεβαιωθείτε ότι αυτές είναι συνδεδεμένες και χρησιμοποιούνται σωστά. Η χρήση διατάξεων συλλογής της σκόνης μπορεί να μειώσει τους κινδύνους που προέρχονται από τη σκόνη.
- η. Μην αφήνετε την εξοικειωσει που έχετε αποκτήσει από τη συχνή χρήση εργαλείων να σας επιτρέψει να εφησυχάσετε ώστε να αγνοείτε τις αρχές ασφαλούς

χρήσης των εργαλείων. Μια απρόσεκτη ενέργεια μπορεί να προκαλέσει βαρύ τραυματισμό μέσα σε κλάσματα του δευτερολέπτου.

4. Χρήση και φροντίδα ηλεκτρικών εργαλείων

- α. Μην υπερφορτώνετε το ηλεκτρικό εργαλείο. Χρησιμοποιείτε το σωστό ηλεκτρικό εργαλείο για την εφαρμογή σας. Το σωστό ηλεκτρικό εργαλείο θα εκτελέσει την εργασία καλύτερα και ασφαλέστερα, με την ένταση χρήσης για την οποία σχεδιάστηκε.
- β. Μην χρησιμοποιήσετε το ηλεκτρικό εργαλείο αν ο διακόπτης του δεν μπορεί να το ενεργοποιεί και απενεργοποιεί. Ένα ηλεκτρικό εργαλείο του οποίου η λειτουργία δεν μπορεί να ελεγχθεί με το διακόπτη είναι επικίνδυνο και πρέπει να επισκευαστεί.
- γ. Αποσυνδέστε το φις από την πηγή ρεύματος και/ή αφαιρέστε την μπαταρία, εάν είναι αποσπώμενη, πριν διεξαγάγετε οποιαδήποτε ρύθμιση, αλλαγή αξεσουάρ ή όταν πρόκειται να αποθηκεύσετε το ηλεκτρικό εργαλείο. Τέτοια προληπτικά μέτρα ασφαλείας μειώνουν το κίνδυνο αβέλτηρης εκκίνησης του ηλεκτρικού εργαλείου.
- δ. Να φυλάσσετε μακριά από παιδιά τα ηλεκτρικά εργαλεία που δεν χρησιμοποιείτε. Μην αφήνετε να χρησιμοποιήσουν ηλεκτρικό εργαλείο άτομα που δεν είναι εξοικειωμένα με αυτό ή άτομα που δεν έχουν διαβάσει αυτές τις οδηγίες χρήσης. Τα ηλεκτρικά εργαλεία είναι επικίνδυνα στα χέρια μη εκπαιδευμένων χρηστών.
- ε. Συντηρείτε τα ηλεκτρικά εργαλεία και τα αξεσουάρ. Ελέγχετε για προβλήματα ευθυγράμμισης ή για μάγκωμα των κινούμενων εξαρτημάτων, θραύση εξαρτημάτων, καθώς και για οποιοδήποτε άλλο πρόβλημα μπορεί να υπερέσει ή λειτουργία των ηλεκτρικών εργαλείων. Αν το ηλεκτρικό εργαλείο έχει υποστεί ζημία, φροντίστε να επισκευαστεί πριν το χρησιμοποιήσετε. Η ανεπαρκής συντήρηση των ηλεκτρικών εργαλείων αποτελεί αιτία πολλών ατυχημάτων.
- στ. Διατηρείτε τα κοπτικά εργαλεία κοφτερά και καθαρά. Τα κοπτικά εργαλεία με κοφτερές κοπτικές αιχμές που συντηρούνται σωστά έχουν λιγότερες πιθανότητες να μαγκώσουν και ελέγχονται ευκολότερα.
- ζ. Να χρησιμοποιείτε το ηλεκτρικό εργαλείο, τα αξεσουάρ και τις μύτες του εργαλείου κλπ. σύμφωνα με τις παρούσες οδηγίες, λαμβάνοντας υπόψη σας τις συνθήκες εργασίας και την εργασία που θέλετε να εκτελέσετε. Η χρήση του ηλεκτρικού εργαλείου για εργασίες διαφορετικές από τις προβλεπόμενες θα μπορούσε να οδηγήσει σε επικίνδυνη κατάσταση.
- η. Διατηρείτε τις λαβές και τις επιφάνειες κρατήματος στεγνές, καθαρές και απαλλαγμένες από λάδι και γράσο. Οι ολισθηρές λαβές και επιφάνειες κρατήματος δεν επιτρέπουν τον ασφαλή χειρισμό και έλεγχο του εργαλείου σε μη αναμενόμενες καταστάσεις.

5. **Χρήση και φροντίδα εργαλείων μπαταρίας**
 α. **Να επαναφορτίσετε μόνο με το φορτιστή που καθορίζει ο κατασκευαστής.**

Ένας φορτιστής που είναι κατάλληλος για ένα τύπο πακέτου μπαταριών μπορεί να δημιουργήσει κίνδυνο πυρκαγιάς όταν χρησιμοποιείται με άλλο πακέτο μπαταριών.

- β. **Χρησιμοποιείτε τα ηλεκτρικά εργαλεία αποκλειστικά και μόνο με τα καθοριζόμενα πακέτα μπαταριών.** Η χρήση άλλων πακέτων μπαταριών μπορεί να προκαλέσει κίνδυνο τραυματισμού και πυρκαγιάς.
- γ. **Όταν το πακέτο μπαταριών δεν χρησιμοποιείται, κρατάτε το μακριά από άλλα μεταλλικά αντικείμενα, όπως συνδετήρες, κέρματα, κλειδιά, καρφιά, βίδες ή άλλα μικρά μεταλλικά αντικείμενα που μπορούν να βραχυκυκλώσουν τους δύο ακροδέκτες του.** Αν βραχυκυκλωθούν οι ακροδέκτες της μπαταρίας, μπορεί να προκληθούν εγκαύματα ή πυρκαγιά.
- δ. **Αν οι μπαταρίες υποστούν κακομεταχείριση, μπορεί να διαρρεύσει υγρό. Αποφύγετε την επαφή. Αν κατά λάθος έρθετε σε επαφή, ξεπλύνετε με νερό. Σε περίπτωση που το υγρό έλθει σε επαφή με τα μάτια σας, ζητήστε επιπλέον και ιατρική βοήθεια.** Το υγρό που εξέρχεται από την μπαταρία μπορεί να προκαλέσει ερεθισμούς ή εγκαύματα.

6. Σέρβις

- α. **Αναθέτετε το σέρβις του ηλεκτρικού σας εργαλείου σε εξειδικευμένο τεχνικό επισκευών που χρησιμοποιεί μόνο γνήσια ανταλλακτικά.**
 Έτσι θα εξασφαλίσετε τη διατήρηση της ασφάλειας του ηλεκτρικού εργαλείου.
- α. **Ποτέ μην κάνετε σέρβις σε πακέτα μπαταρίας που έχουν υποστεί ζημιά.** Το σέρβις των πακέτων μπαταρίας πρέπει να γίνεται μόνο από τον κατασκευαστή ή από εξουσιοδοτημένους παρόχους σέρβις (χρησιμοποιείται μόνο για εργαλεία μπαταρίας).

Προειδοποιήσεις ασφαλείας με σφυρί



ΠΡΟΕΙΔΟΠΟΙΗΣΗ! Οδηγίες ασφαλείας για όλες τις λειτουργίες.

- ◆ **Φορέστε προστατευτικά αυτιών.** Η έκθεση στον θόρυβο μπορεί να προκαλέσει απώλεια ακοής.
- ◆ **Χρησιμοποιήστε βοηθητικές λαβές, εάν παρέχονται με το εργαλείο.** Η απώλεια ελέγχου μπορεί να προκαλέσει τραυματισμό.
- ◆ **Κρατήστε το ηλεκτρικό εργαλείο από μονωμένες επιφάνειες λαβής, όταν εκτελείτε μια εργασία όπου το κοπτικό εξάρτημα και οι σύνδεσμοι μπορεί να έρθουν σε επαφή με κρυφή καλωδίωση ή το δικό του καλώδιο.** Αν αξεσουάρ κοπής έρθει σε επαφή με καλώδιο υπό τάση, μπορεί να θεθούν υπό ηλεκτρική τάση και τα εκτεθειμένα μεταλλικά μέρη του ηλεκτρικού εργαλείου και να προκληθεί ηλεκτροπληξία στο χειριστή.
- ◆ **Συγκρατήστε σωστά το εργαλείο πριν τη χρήση.** Αυτό το εργαλείο παράγει υψηλή ροπή εξόδου και αν δεν συγκρατείτε σωστά το εργαλείο κατά τη λειτουργία,

μπορεί να προκύψει απώλεια ελέγχου με αποτέλεσμα τραυματισμό ατόμων.

Οδηγίες ασφαλείας όταν χρησιμοποιείτε μακριά τρυπάνια με περιστροφικά σφυριά

- ◆ **Ξεκινάτε πάντα το τρύπημα με χαμηλή ταχύτητα και με το άκρο της μύτης σε επαφή με το τεμάχιο εργασίας.** Σε υψηλότερες ταχύτητες, το τρυπάνι είναι πιθανό να λυγίσει αν επιτραπεί να περιστραφεί ελεύθερα χωρίς να είναι σε επαφή με το αντικείμενο εργασίας, με αποτέλεσμα τραυματισμό.
- ◆ **Πάντα να ξεκινάτε τη διάτρηση σε χαμηλή ταχύτητα και με τη μύτη του τρυπανιού σε επαφή με το αντικείμενο εργασίας.** Σε υψηλότερες ταχύτητες, το τρυπάνι είναι πιθανό να λυγίσει αν επιτραπεί να περιστραφεί ελεύθερα χωρίς να είναι σε επαφή με το αντικείμενο εργασίας, με αποτέλεσμα τραυματισμό ατόμων.
- ◆ **Εφαρμόζετε πίεση μόνο σε ευθεία γραμμή με το τρυπάνι και μην ασκείτε υπερβολική πίεση.** Τα τρυπάνια μπορεί να λυγίσουν προκαλώντας θραύση ή απώλεια του ελέγχου με αποτέλεσμα τραυματισμό.
- ◆ **Ποτέ μη χρησιμοποιήσετε αξεσουάρ καλεμιού σε περιστροφική λειτουργία.** Το αξεσουάρ θα ακινητοποιηθεί μέσα στο υλικό και θα περιστρέψει το δράπανο.
- ◆ **Χρησιμοποιείτε σφιγκτήρες ή άλλο πρακτικό μέσο για να στερεώνετε και να στηρίζετε το αντικείμενο εργασίας σε σταθερό υπόβαθρο.** Αν κρατάτε το αντικείμενο εργασίας με το χέρι σας ή κόντρα στο σώμα σας, δεν υπάρχει σταθερότητα και μπορεί να προκληθεί απώλεια του ελέγχου.
- ◆ **Πριν τη διάτρηση τοίχων, δαπέδων ή οροφών, ελέγχετε τις θέσεις καλωδίων και σωλήνων.**
- ◆ **Αποφεύγετε να αγγίζετε την άκρη του τρυπανιού αμέσως μετά τη διάτρηση, καθώς μπορεί να καίει.**
- ◆ **Η προβλεπόμενη χρήση περιγράφεται στο παρόν εγχειρίδιο οδηγιών. Η χρήση οποιουδήποτε αξεσουάρ ή προσαρτήματος ή η εκτέλεση με αυτό το εργαλείο οποιασδήποτε εργασίας διαφορετικής από αυτές που συνιστώνται στο παρόν εγχειρίδιο οδηγιών ενδέχεται να εγκυμονεί κίνδυνο σωματικής βλάβης και/ή υλικών ζημιών.**
- ◆ **Χρησιμοποιείτε προσωπίδα ή μάσκα προστασίας από τη σκόνη οποιεσδήποτε οι εργασίες μπορεί να παράγουν σκόνη ή ιπτάμενα σωματίδια.**

Ασφάλεια τρίτων

- ◆ Αυτή η συσκευή δεν προορίζεται για χρήση από άτομα (περιλαμβανομένων παιδιών) με μειωμένες σωματικές, αισθητηριακές ή πνευματικές ικανότητες, ή με έλλειψη εμπειρίας και γνώσης, εκτός αν σε αυτά έχει παρασχεθεί από άτομο υπεύθυνο για την ασφάλειά τους επίβλεψη ή εκπαίδευση σχετικά με τη χρήση της συσκευής.
- ◆ Τα παιδιά θα πρέπει να βρίσκονται υπό επίβλεψη ώστε να διασφαλίζεται ότι δεν παίζουν με τη συσκευή.

Υπολειπόμενοι κίνδυνοι.

Κατά τη χρήση του εργαλείου μπορεί να δημιουργηθούν πρόσθετοι υπολειπόμενοι κίνδυνοι, οι οποίοι ενδέχεται να μη συμπεριλαμβάνονται στις προειδοποιήσεις ασφαλείας που εσωκλείονται. Αυτοί οι κίνδυνοι μπορεί να προκληθούν από κακή χρήση, παρατεταμένη χρήση κλπ.

Παρά την εφαρμογή των σχετικών κανονισμών ασφαλείας και τη χρήση διατάξεων ασφαλείας, ορισμένοι υπολειπόμενοι κίνδυνοι δεν είναι δυνατόν να αποφευχθούν. Σε αυτούς περιλαμβάνονται:

- ◆ Τραυματισμοί από την επαφή με οποιαδήποτε περιστρεφόμενα/κινούμενα μέρη.
- ◆ Τραυματισμοί από αλλαγή οποιωνδήποτε εξαρτημάτων, λεπίδων ή αξεσουάρ.
- ◆ Τραυματισμοί από παρατεταμένη χρήση του εργαλείου. Όταν χρησιμοποιείτε οποιοδήποτε εργαλείο για παρατεταμένα χρονικά διαστήματα, μην παραλείπετε με κανένα τρόπο να κάνετε τακτικά διαλείμματα.
- ◆ Βλάβη της ακοής.
- ◆ Κίνδυνοι για την υγεία λόγω εισπνοής σκόνης που αναπτύσσεται κατά τη χρήση του εργαλείου (παράδειγμα:- εργασία με ξύλο, ειδικά βελανιδιά, οξιά και MDF).

Κραδασμοί

Η δηλωμένη τιμή εκπομπής κραδασμών που αναφέρεται στα τεχνικά χαρακτηριστικά και τη δήλωση συμμόρφωσης έχει μετρηθεί σύμφωνα με τυποποιημένη μέθοδο δοκιμής που παρέχεται από το πρότυπο EN62841 και μπορεί να χρησιμοποιηθεί για τη σύγκριση ενός εργαλείου με ένα άλλο. Η δηλωμένη τιμή εκπομπής κραδασμών μπορεί επίσης να χρησιμοποιηθεί σε έναν προκαταρκτικό προσδιορισμό της έκθεσης σε κραδασμούς.

Προειδοποίηση! Στην πράξη, η τιμή εκπομπής κραδασμών κατά την χρήση του ηλεκτρικού εργαλείου μπορεί να διαφέρει από την τιμή που δηλώθηκε, ανάλογα με τον τρόπο που χρησιμοποιείται το εργαλείο. Το επίπεδο κραδασμών μπορεί να αυξηθεί πάνω από το επίπεδο που έχει δηλωθεί.

Κατά τον προσδιορισμό της έκθεσης σε κραδασμούς για τον καθορισμό των απαιτούμενων μέτρων ασφαλείας, μια εκτίμηση της έκθεσης σε κραδασμούς πρέπει να λάβει υπόψη τις πραγματικές συνθήκες χρήσης και τον τρόπο χρήσης του εργαλείου, συμπεριλαμβανομένων και όλων των επιμέρους τμημάτων του κύκλου εργασίας, όπως τα χρονικά διαστήματα που το εργαλείο ήταν εκτός λειτουργίας και τα διαστήματα λειτουργίας χωρίς φορτίο, επιπλέον του χρόνου πίεσης της σκανδάλης.

Ετικέτες πάνω στο εργαλείο

Το εργαλείο φέρει τα παρακάτω εικονογράμματα μαζί με τον κωδικό ημερομηνίας:



ΠΡΟΕΙΔΟΠΟΙΗΣΗ! Για να μειωθεί ο κίνδυνος τραυματισμού, ο χρήστης πρέπει να διαβάσει το εγχειρίδιο οδηγιών.



Φοράτε προστατευτικά αυτιών με περιστροφικά σφυριά. Η έκθεση σε θόρυβο μπορεί να προκαλέσει απώλεια ακοής



Μην κοιτάζετε απ' ευθείας τη λάμπα λειτουργίας

Πρόσθετες οδηγίες ασφαλείας για μπαταρίες και φορτιστές

Μπαταρίες

- Ποτέ μην επιχειρήσετε να ανοίξετε το προϊόν για κανένα λόγο.
- Μην εκθέτετε την μπαταρία σε νερό.
- Μην εκθέτετε την μπαταρία σε θερμότητα.
- Μην αποθηκεύετε σε τοποθεσίες όπου η θερμοκρασία ενδέχεται να υπερβαίνει τους 40 °C.
- Να φορτίζετε μόνο σε θερμοκρασίες περιβάλλοντος μεταξύ 10 °C και 40 °C.
- Η φόρτιση πρέπει να γίνεται μόνο με το φορτιστή που παρέχεται μαζί με τη συσκευή/εργαλείο.
- Όταν απορρίπτετε τις μπαταρίες, ακολουθήστε τις οδηγίες που δίνονται στην ενότητα "Προστασία του περιβάλλοντος".
- Μην καταστρέψετε/παράμορφώνετε το πακέτο μπαταρίας είτε τρυπώντας ή χτυπώντας την, διότι μπορεί να προκληθεί κίνδυνος τραυματισμού ή πυρκαγιάς.
- Μη φορτίζετε τις κατεστραμμένες μπαταρίες.
- Κάτω από ακραίες συνθήκες, μπορεί να επέλθει διαρροή υγρών μπαταρίας. Αν παρατηρήσετε υγρό πάνω στις μπαταρίες, σκουπίστε το προσεκτικά με ένα πανί. Αποφύγετε την επαφή με το δέρμα.
- Στην περίπτωση επαφής με το δέρμα ή τα μάτια, ακολουθήστε τις παρακάτω οδηγίες.



ΠΡΟΕΙΔΟΠΟΙΗΣΗ! Το υγρό της μπαταρίας μπορεί να προκαλέσει σωματικές βλάβες ή υλικές ζημιές. Σε περίπτωση επαφής με το δέρμα, ξεπλύνετε αμέσως με άφθονο νερό. Αν παρουσιαστεί κοκκίνισμα του δέρματος, πόνος ή ερεθισμός, ζητήστε ιατρική βοήθεια. Σε περίπτωση επαφής με τα μάτια, ξεπλύνετε αμέσως με καθαρό νερό και ζητήστε ιατρική βοήθεια.

Φορτιστές

Ο φορτιστής σας είναι σχεδιασμένος για συγκεκριμένη ηλεκτρική τάση. Ελέγχετε πάντα ότι η τάση ρεύματος δικτύου συμφωνεί με αυτήν που αναγράφεται στην πινακίδα τεχνικών χαρακτηριστικών.



Προειδοποίηση! Ποτέ μην επιχειρήσετε να αντικαταστήσετε τη μονάδα φορτιστή με κανονικό φως ρεύματος δικτύου.

- Ο φορτιστής πρέπει να χρησιμοποιείται αποκλειστικά και μόνο για τη φόρτιση της μπαταρίας του εργαλείου το οποίο συνοδεύει. Άλλες μπαταρίες ενδέχεται να εκραγούν, προκαλώντας τραυματισμό ατόμων και ζημιές.
- Μην επιχειρήσετε ποτέ να φορτίσετε μη επαναφορτιζόμενες μπαταρίες.

- Αν το καλώδιο ρεύματος έχει υποστεί φθορά, αυτό πρέπει να αντικατασταθεί από τον κατασκευαστή ή από ένα εξουσιοδοτημένο Κέντρο Σέρβις, για να αποφύγετε κίνδυνο.
- Να φροντίζετε να αντικαθίστανται άμεσα τα καλώδια που έχουν υποστεί ζημιά.
- Μην εκθέτετε το φορτιστή σε νερό.
- Μην ανοίγετε το φορτιστή.
- Μην εισάγετε οποιαδήποτε αντικείμενα μέσα στο φορτιστή.
- Κατά τη φόρτιση, η συσκευή/το εργαλείο/η μπαταρία πρέπει να βρίσκεται σε καλά αεριζόμενο χώρο.



Ο φορτιστής προορίζεται για χρήση μόνο σε εσωτερικούς χώρους.



Διαβάστε το εγχειρίδιο οδηγιών πριν τη χρήση.

Ασφαλής χρήση ηλεκτρικού ρεύματος



Ο φορτιστής σας φέρει διπλή μόνωση. Επομένως, δεν απαιτείται αγωγός γείωσης. Ελέγχετε πάντα ότι η τάση ρεύματος δικτύου συμφωνεί με αυτήν που αναγράφεται στην πινακίδα τεχνικών χαρακτηριστικών. Ποτέ μην επιχειρήσετε να αντικαταστήσετε τη μονάδα φορτιστή με κανονικό φως ρεύματος δικτύου.

- Αν το καλώδιο ρεύματος έχει υποστεί ζημιά, πρέπει να αντικατασταθεί από τον κατασκευαστή ή εξουσιοδοτημένο κέντρο σέρβις BLACK+DECKER, για την αποφυγή κινδύνου

Χαρακτηριστικά

Αυτό το εργαλείο διαθέτει μερικά από ή όλα τα παρακάτω χαρακτηριστικά.

1. Διακόπτη ενεργοποίησης/ απενεργοποίησης (On/Off)
2. Επιλογή κίνησης εμπρός/όπισθεν
3. Επιλογή τρόπου διάτρησης
4. Αναστολέα βάθους
5. Υποδοχή εργαλείου
6. Πλευρική λαβή
7. Φως εργασίας LED
8. Μπαταρία

Συναρμολόγηση

Χρήση



ΠΡΟΕΙΔΟΠΟΙΗΣΗ! Αφήστε το εργαλείο να λειτουργήσει με το δικό του ρυθμό. Μην το υπερφορτώνετε.

- Φορτίστε πλήρως την μπαταρία πριν από την πρώτη χρήση.

ΣΗΜΕΙΩΣΗ: Αν η μονάδα σταματήσει απότομα ενώ χρησιμοποιείται, αφαιρέστε το πακέτο μπαταριών και τοποθετήστε τη στον φορτιστή για να φορτιστεί πλήρως.
ΣΗΜΕΙΩΣΗ: Αν η μονάδα δεν μπορεί να τεθεί σε λειτουργία αφού είχε προηγηθεί βαριά χρήση, αφήστε το εργαλείο να το πακέτο μπαταριών να κρυώσουν πριν συνεχίσετε την εργασία σας.

Φόρτιση της μπαταρίας (Εικ. Α, Β)

Η μπαταρία πρέπει να φορτιστεί πριν την πρώτη χρήση και όποτε αδυνατεί να παρέχει επαρκή ισχύ σε εργασίες ή εκτέλεση των οποίων ήταν προγενέστερα εύκολη. Η μπαταρία μπορεί να θερμαίνεται κατά τη φόρτιση. Κάτι τέτοιο είναι φυσιολογικό και δεν υποδηλώνει πρόβλημα.



ΠΡΟΕΙΔΟΠΟΙΗΣΗ! Μη φορτίζετε την μπαταρία σε θερμοκρασίες περιβάλλοντος κάτω από 10 °C ή πάνω από 40 °C. Η συνιστώμενη θερμοκρασία φόρτισης είναι περίπου 24 °C.

ΣΗΜΕΙΩΣΗ: Ο φορτιστής δεν θα φορτίσει μια μπαταρία με θερμοκρασία κυψέλης κάτω από περίπου 10 °C ή πάνω από 40 °C.

Η μπαταρία θα πρέπει να παραμείνει στο φορτιστή και αυτός θα αρχίσει να τη φορτίζει αυτόματα μόλις ζεσταθεί ή κρυώσει, αντίστοιχα, η κυψέλη.

- Για να φορτίσετε την μπαταρία, εισάγετε την μπαταρία (8) στον επιτραπέζιο φορτιστή (9) ή τον φορτιστή σχήματος κύπελλου (11) ανάλογα με το μοντέλο της συσκευής σας. Η μπαταρία μπορεί να τοποθετηθεί στο φορτιστή μόνο με έναν τρόπο.
- Συνδέστε τον επιτραπέζιο φορτιστή (9) ή τον φορτιστή σχήματος κύπελλου (11) σε κατάλληλη πηγή ρεύματος και ενεργοποιήστε τον.
- Φορτίζετε τις αποφορτισμένες μπαταρίες εντός 1 εβδομάδας. Η διάρκεια ζωής μιας μπαταρίας μειώνεται σημαντικά αν αποθηκευτεί σε αποφορτισμένη κατάσταση.

Τοποθέτηση και αφαίρεση της μπαταρίας (Εικ. C, D)

- Για να τοποθετήσετε την μπαταρία, ευθυγραμμίστε την με την υποδοχή στο εργαλείο. Τοποθετήστε την μπαταρία μέσα στην υποδοχή και σπρώξτε την μέχρι να ασφαλίσει στη θέση της.
- Για να αφαιρέσετε την μπαταρία, πατήστε το κουμπί απελευθέρωσης (8a) και αφαιρέστε την μπαταρία από την υποδοχή.

Τοποθέτηση της πλευρικής λαβής και του αναστολέα βάθους (Εικ. E)

- Περιστρέψτε την περιοχή κρατήματος δεξιόστροφα μέχρι να μπορείτε να περάσετε την πλευρική λαβή (6) στο μπροστινό μέρος του εργαλείου όπως φαίνεται στην εικόνα.
- Περιστρέψτε την πλευρική λαβή στην επιθυμητή θέση.
- Εισάγετε τον αναστολέα βάθους (4) στην οπή τοποθέτησής του όπως δείχνει η εικόνα.
- Ρυθμίστε τον αναστολέα βάθους στη θέση που επιθυμείτε. Το μέγιστο βάθος διάτρησης είναι ίσο με την απόσταση μεταξύ του άκρου του τρυπανιού και του μπροστινού άκρου του αναστολέα βάθους.
- Βεβαιωθείτε ότι οι εγκοπές ασφάλισης (23) ασφαλίζουν στις προεξοχές πάνω στο περίβλημα (22).
- Περιστρέψτε την πλευρική λαβή περιστρέφοντας την περιοχή κρατήματος δεξιόστροφα.

Τοποθέτηση ενός αξεσουάρ (Εικ. F - G)

- Καθαρίστε και λιπάνετε το στέλεχος (12) του αξεσουάρ.

- ◆ Εισάγετε τον κορμό του αξεσουάρ στην υποδοχή εργαλείου (5).
- ◆ Πιέστε κάτω το αξεσουάρ και περιστρέψτε το ελαφρά μέχρι να εφαρμόσει στις εγχοπές.
- ◆ Τραβήξτε το αξεσουάρ για ελέγξετε εάν έχει ασφαλίσει σωστά. Η κρουστική λειτουργία απαιτεί το αξεσουάρ να μπορεί να κινηθεί αξονικά κατά αρκετά εκατοστά όταν είναι ασφαλισμένο στην υποδοχή εξαρτήματος.
- ◆ Για να αφαιρέσετε το αξεσουάρ τραβήξτε προς τα πίσω το κολάρο (13) και τραβήξτε έξω το αξεσουάρ.

Τσοκ με κλειδί (Εικ. Η)

- ◆ Ανοίξτε το τσοκ περιστρέφοντας το κολάρο (14) αριστερόστροφα.
- ◆ Εισάγετε τον άξονα της μύτες (16) στο τσοκ.
- ◆ Εισάγετε το κλειδί του τσοκ (17) στην οπή (15) στο πλάι του τσοκ και περιστρέψτε δεξιόστροφα μέχρι να σφίξει.



ΠΡΟΕΙΔΟΠΟΙΗΣΗ! Πριν τη διάτρηση τοιχών, δαπέδων ή ταβανιών, ελέγχετε για τις θέσεις καλωδιώσεων και σωλήνων.



ΠΡΟΕΙΔΟΠΟΙΗΣΗ! Μην χρησιμοποιείτε καλόμενα όταν το εργαλείο βρίσκεται σε λειτουργία διάτρησης.

Ενέργεια κατεύθυνσης εμπρός/πίσω (Εικ. Ι)

- ◆ Μετακινήστε τον επιλογέα (2) ώστε να υποδεικνύει την κατεύθυνση που επιθυμείτε.

Ενεργοποίηση και απενεργοποίηση (Εικ. Ι)

- ◆ Για να ενεργοποιήσετε το εργαλείο, πιέστε τον διακόπτη ρύθμισης ταχύτητας (1). Η ταχύτητα του εργαλείου εξαρτάται από το πόσο πιέζετε τον διακόπτη.
- ◆ Κατά κανόν, χρησιμοποιείτε χαμηλές ταχύτητες για τρυπάνια μεγάλης διαμέτρου και υψηλές ταχύτητες για τρυπάνια μικρότερης διαμέτρου.
- ◆ Για να απενεργοποιήσετε το εργαλείο, ελευθερώστε το διακόπτη ρύθμισης ταχύτητας.

Επιλογή του τρόπου λειτουργίας (Εικ. J)

Το εργαλείο μπορεί να χρησιμοποιηθεί με τρεις τρόπους λειτουργίας.

- ◆ Για να χειριστείτε τον επιλογέα τρόπου λειτουργίας (3), ωθήστε το κουμπί απασφάλισης (20) και περιστρέψτε τον επιλογέα προς την επιθυμητή θέση, όπως υποδεικνύεται από τα σύμβολα.

Διάτρηση

- ◆ Για διάτρηση σε χάλυβα, ξύλο και πλαστικά, καθώς και για βίδωμα, θέστε τον επιλογέα τρόπου λειτουργίας (3) στη θέση **T** (18).

Κρουστική διάτρηση

- ◆ Για κρουστική διάτρηση σε είδη τοιχοποιίας και σκυρόδεμα, θέστε τον επιλογέα τρόπου λειτουργίας (3) στη θέση **T** (18). Κατά την κρουστική λειτουργία, το εργαλείο δεν πρέπει να αναπηδά αλλά να λειτουργεί ομαλά. Εάν χρειάζεται, αυξήστε την ταχύτητα.

Κρουστική λειτουργία

- ◆ Για κρουστική λειτουργία με ασφάλιση άξονα, και για ελαφριές εργασίες καλεμίσματος και ματσакόνισματος, θέστε τον επιλογέα τρόπου λειτουργίας (3) στη θέση **T** (21).
- ◆ Κατά την αλλαγή από κρουστική διάτρηση σε καλέμισμα, περιστρέψτε το εξάρτημα καλεμίσματος στη θέση που επιθυμείτε. Εάν γίνει αισθητή κάποια αντίσταση κατά την αλλαγή λειτουργίας, περιστρέψτε ελαφρά το εξάρτημα καλεμίσματος για να κουμπώσει η ασφάλιση άξονα.

Αξεσουάρ

Η απόδοση του εργαλείου σας εξαρτάται από το αξεσουάρ που χρησιμοποιείτε. Τα αξεσουάρ της BLACK+DECKER έχουν κατασκευαστεί με βάση πρότυπα υψηλής ποιότητας και είναι σχεδιασμένα να ενισχύουν την απόδοση του εργαλείου σας. Χρησιμοποιώντας αυτά τα αξεσουάρ, θα εξασφαλίσετε την καλύτερη δυνατή απόδοση του εργαλείου σας.

Συντήρηση

Αυτή η συσκευή/το εργαλείο ρεύματος/μπαταρίας της BLACK+DECKER έχει σχεδιαστεί έτσι ώστε να λειτουργεί για μεγάλο χρονικό διάστημα με την ελάχιστη δυνατή συντήρηση. Η συνεχής ικανοποιητική λειτουργία εξαρτάται από τη σωστή φροντίδα και τον τακτικό καθαρισμό του εργαλείου.



ΠΡΟΕΙΔΟΠΟΙΗΣΗ! Πριν πραγματοποιήσετε οποιοδήποτε συντήρηση

σε ηλεκτρικά εργαλεία ρεύματος/μπαταρίας:

- ◆ Απενεργοποιήστε και αποσυνδέστε τη συσκευή/το εργαλείο από την πρίζα.
- ◆ Ή απενεργοποιήστε τη συσκευή/το εργαλείο και αφαιρέστε την μπαταρία, εάν η συσκευή/το εργαλείο διαθέτει ξεχωριστό πακέτο μπαταρίας.
- ◆ Ή αφίστε να λειτουργήσει η συσκευή/το εργαλείο μέχρι να εξαντληθεί τελείως η μπαταρία και κατόπιν απενεργοποιήστε.
- ◆ Αποσυνδέστε το φορτιστή από την πρίζα πριν τον καθαρίσετε. Ο φορτιστής σας δεν χρειάζεται καμία άλλη συντήρηση πέραν του τακτικού καθαρισμού.
- ◆ Καθαρίζετε τακτικά τα ανοιγμένα εξαρτήματα της συσκευής/του εργαλείου/του φορτιστή χρησιμοποιώντας μια μαλακή βούρτσα ή ένα στενό πανί.
- ◆ Να καθαρίζετε τακτικά το περίβλημα του μοτέρ με ένα ελαφρύ υγρό πανί. Μη χρησιμοποιείτε καθαριστικά που χαράζουν ή περιέχουν διαλύτες.
- ◆ Να ανοίγετε τακτικά το τσοκ και να το χτυπάτε ελαφρά για να αφαιρείται η σκόνη από το εσωτερικό του (εφόσον έχει τοποθετηθεί).

Προστασία του περιβάλλοντος



Χωριστή συλλογή. Τα προϊόντα και οι μπαταρίες που επισημαίνονται με αυτό το σύμβολο δεν πρέπει να απορρίπτονται μαζί με τα κανονικά οικιακά απορρίμματα.

Τα προϊόντα και οι μπαταρίες περιέχουν υλικά που μπορούν να ανακτηθούν ή να ανακυκλωθούν, ώστε να μειωθούν οι ανάγκες για πρώτες ύλες.

Παρακαλούμε να ανακυκλώνετε τα ηλεκτρικά προϊόντα και τις μπαταρίες σύμφωνα με τους τοπικούς κανονισμούς.

Περισσότερες πληροφορίες διατίθενται στον ιστότοπο
www.2helpU.com

Δήλωση συμμόρφωσης ΕΚ

ΟΔΗΓΙΑ ΠΕΡΙ ΜΗΧΑΝΗΜΑΤΩΝ



BCD900 - Κρουστικό δράπανο

H Black & Decker δηλώνει ότι τα προϊόντα αυτά που περιγράφονται στα "τεχνικά χαρακτηριστικά" συμμορφώνονται με τα ακόλουθα:
EN62841-1:2015+AC:2015+A11:2022,
EN62841-2-6:2020+A11:2020.

Αυτά τα προϊόντα συμμορφώνονται και με την Οδηγία 2006/42/ΕΚ, 2014/30/ΕΕ και 2011/65/ΕΕ. Για περισσότερες πληροφορίες, επικοινωνήστε με την Black & Decker στην παρακάτω διεύθυνση ή ανατρέξτε στο πίσω μέρος του εγχειριδίου.

Ο κάτωθι υπογεγραμμένος είναι υπεύθυνος για την κατάρτιση του τεχνικού φακέλου και δηλώνει τα παρόντα εκ μέρους της Black & Decker.

Patrick Diepenbach

Patrick Diepenbach
Γενικός διευθυντής, Benelux
Black and Decker, 2800 Mechelen,
Βέλγιο
30/12/2022

Τεχνικά χαρακτηριστικά

		BCD900D1S / D1K	BCD900E2K	BCD900M1K	BCD900B
Τάση εισόδου	V _{DC}	18	18	18	18
Ταχύτητα χωρίς φορτίο	min ⁻¹	0 - 1800	0 - 1800	0 - 1800	0 - 1800
Ρυθμός κρούσης	min ⁻¹	0 - 6350	0 - 6350	0 - 6350	0 - 6350
Βάρος	kg	2,60	2,60	2,87	2,22
Μέγ. ικανότητα διάτρησης					
Σκυροδέμα	mm	18	18	18	18
Χάλυβος	mm	13	13	13	13
Ξύλο	mm	25	25	25	25
Μπαταρία		BL2018	BL2518	BL4018	Δεν παρέχεται
Τάση	V _{DC}	18	18	18	
Χωρητικότητα	Ah	2,0	2,5	4,0	
τύπος		Ιόντων λιθίου	Ιόντων λιθίου	Ιόντων λιθίου	

Φορτιστής			
Τάση εισόδου	V _{AC}	220 - 240	230
Τάση εξόδου	V _{DC}	8 - 20	18
Ρεύμα	A	1.0	2.0
Χρόνος φόρτισης πέρ.	ώρα	2 - 4 h	1 - 2 h

Δηλωμένες τιμές δύο αριθμών για τις εκπομπές θορύβου σύμφωνα με το ISO 4871	
Μετρημένη Α-σταθμισμένη στάθμη ηχητικής ισχύος, L _{WA} (αναφ. 1 pW), σε νεσιμπέλ = 100 dB(A) Αβεβαιότητα, K _{WA} , σε νεσιμπέλ = 3 dB(A)	
Μετρημένη Α-σταθμισμένη στάθμη ηχητικής πίεσης εκπομπής στον σταθμό εργασίας, L _{PA} (αναφ. 20 μΡΑ), σε νεσιμπέλ = 92 dB(A) Αβεβαιότητα, K _{PA} , σε νεσιμπέλ = 3 dB(A)	
Οι τιμές προσδιορίστηκαν σύμφωνα με τον κώδικα δοκιμής θορύβου που καθορίζεται στο πρότυπο EN62841-1:2015+AC:2015+A11:2022, με χρήση των βασικών προτύπων EN62841-2-6:2020+A11:2020	
ΣΗΜΕΙΩΣΗ- Το σύνολο μιας μετρημένης τιμής εκπομπής θορύβου και της αντίστοιχης αβεβαιότητας αντιπροσωπεύει ένα πάνω όριο της περιοχής τιμών που είναι πιθανόν να προκύψουν σε μετρήσεις	

Οι συνολικές τιμές δόνησης (διανυσματικό άθροισμα τριών αξόνων) καθορίστηκαν σύμφωνα με το πρότυπο EN 62841		
	η περιγραφή λειτουργίας εργασίας "κρουστική διάτρηση σε σκυροδέμα"	η περιγραφή τρόπου λειτουργίας "καλέμισμα"
Τιμή εκπομπής κραδασμών a _h	14.8 m/s ²	18.4 m/s ²
Αβεβαιότητα K	1,5 m/s ²	1,5 m/s ²
Τιμές καθορισμένες σύμφωνα με τα EN62841-1:2015+AC:2015+A11:2022, και EN62841-2-6:2020+A11:2020		

Εγγύηση

H Black & Decker είναι σίγουρη για την ποιότητα των προϊόντων της και προσφέρει στους καταναλωτές εγγύηση 24 μηνών από την ημερομηνία αγοράς. Αυτή η εγγύηση συμπληρώνει και με κανένα τρόπο δεν παραβάλλει τα νόμιμα δικαιώματά σας. Η εγγύηση ισχύει εντός των εδαφών των κρατών μελών της Ευρωπαϊκής Ένωσης, της Ευρωπαϊκής Ζώνης Ελευθέρων Συναλλαγών και του Ηνωμένου Βασιλείου.

Για να υποβάλετε αξίωση βάσει της εγγύησης, η αξίωση θα πρέπει να είναι σύμφωνη με τους Όρους και προϋποθέσεις της Black & Decker και θα χρειαστεί να υποβάλετε απόδειξη αγοράς στον πωλητή ή σε εξουσιοδοτημένο αντιπρόσωπο επισκευών. Μπορείτε να αποκτήσετε τους Όρους και προϋποθέσεις της εγγύησης 2 ετών της Black & Decker και να μάθετε την τοποθεσία του πλησιέστερου εξουσιοδοτημένου αντιπροσώπου επισκευών στο Internet στο www.2helpU.com, ή επικοινωνώντας με το τοπικό σας γραφείο Black & Decker στη διεύθυνση που υποδεικνύεται στο παρόν εγχειρίδιο. Παρακαλούμε επισκεφθείτε την ιστοσελίδα μας www.blackanddecker.gr για να καταχωρίσετε το νέο σας προϊόν Black & Decker και για να ενημερώνεστε για τα νέα προϊόντα και τις ειδικές προσφορές.

België/Belgique/Luxembourg www.blackanddecker.be enduser.be@sbdinc.com	Stanley Black & Decker Belgium BVBA Egide Walschaertsstraat 16 2800 Mechelen	Tel. NL +32 15 47 37 65 Tel. FR +32 15 47 37 66 Fax. +32 15 47 37 99
Danmark	Black & Decker Roskildevej 22 2620 Albertslund	kundeservice.dk@sbdinc.com www.blackanddecker.dk
Deutschland www.blackanddecker.de infobdgc@sbdinc.com	Stanley Black & Decker Deutschland GmbH Black & Decker Str. 40, D - 65510 Idstein	Tel. 06126 21-0 Fax 06126 21-2980
Ελλάδα www.blackanddecker.gr greece.service@sbdinc.com	Stanley Black & Decker (ΕΛΛΑΣ) Ε.Π.Ε ΓΡΑΦΕΙΑ: Σπύριδωνος 7 & Βουλιαγμένης 166 74 Γλυφάδα - Αθήνα	Τηλ. 210-8981616 Φαξ 210-8983570
SERVICE:	Ημερος Τόπος 2 -Χάνι Αδάμ 193 00 Ασπρόπυργος - Αθήνα	Τηλ. Service 210-8985208 Φαξ 210-5597598
España www.blackanddecker.es respuesta.posventa@sbdinc.com	Stanley Black & Decker Ibérica, S.C.A. Parc de Negocis "Mas Blau" Edificio Muntadas, c/Bergadà, 1, Of. A6 08820 El Prat de Llobregat (Barcelona)	Tel. 934 797 400 Fax 934 797 419
France www.blackanddecker.fr	Black & Decker (France) S.A.S. 5 allée des Hêtres B.P. 30084 69579 Limonest Cédex	Tel. 04 72 20 39 20 Fax 04 72 20 39 00
Helvetia www.blackanddecker.ch service@rofoag.ch	ROFO AG Gewerbezone Seeblick 3213 Kleinbösingen	Tel. 026-6749393 Fax 026-6749394
Italia www.blackanddecker.it service.italia@sbdinc.com	Stanley Black & Decker Italia Via Energypark 6 20871 Vimercate (MB)	Tel. 039-9590200 Fax 039-9590313 Numero verde 800-213935
Nederland www.blackanddecker.nl enduser.nl@sbdinc.com	Stanley Black & Decker Netherlands BV Holtum Noordweg 35, 6121 RE BORN Postbus 83, 6120 AB BORN	Tel. +31 164 283 065 Fax +31 164 283 200
Norge	Black & Decker Postboks 4613, Nydalen 0405 Oslo	kundeservice.no@sbdinc.com www.blackanddecker.no
Österreich www.blackanddecker.at service.austria@sbdinc.com	Stanley Black & Decker Austria GmbH Oberlaaerstraße 248, A-1230 Wien	Tel. 01 66116-0 Fax 01 66116-614
Portugal www.blackanddecker.pt resposta.posvenda@sbdinc.com	Black & Decker Limited SARL Quinta da Fonte - Edifício Q55 D. Diniz Rua dos Malhões, 2 e 2A - Piso 2 Esquerdo 2770 - 071 Paço de Arcos	Tel. 214667500 Fax 214667580
Suomi	Black & Decker PL47 00521, Helsinki	asiakaspalvelu.fi@sbdinc.com www.blackanddecker.fi
Sverige	Black & Decker AB Box 94, 431 22 Mölndal	kundservice.se@sbdinc.com www.blackanddecker.se
Türkiye www.blackanddecker.com.tr	KALE Hirdavat ve Makina A.Ş. Defferdar Mah. Savaklar Cad. No:15 Edimekapı / Eyüp / İstanbul 34050	Tel. 0212 533 52 55 Fax. 0212 533 10 05
United Kingdom & Republic Of Ireland www.blackanddecker.co.uk emeaservice@sbdinc.com	Black & Decker 270 Bath Road Slough, Berkshire SL1 4DX	Tel. 01753 511234 Fax 01753 512365
Middle East & Africa www.blackanddecker.ae service.mea@sbdinc.com	Black & Decker P.O.Box - 17164 Jebel Ali Free Zone (South), Dubai, UAE	Tel. +971 4 8863030 Fax +971 4 8863333