

**EPC126**  
**EPC146**  
**EPC186**  
**EPC128**  
**EPC148**  
**EPC188**

[www.blackanddecker.com](http://www.blackanddecker.com)

EN

FR

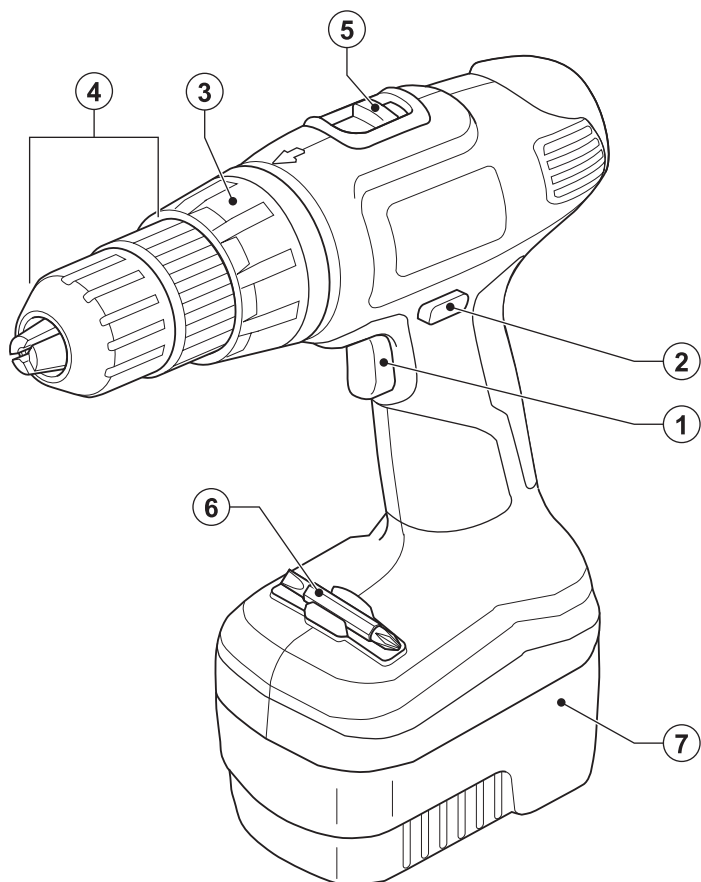
PT

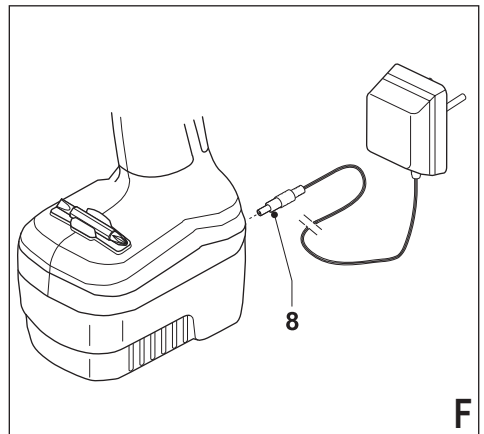
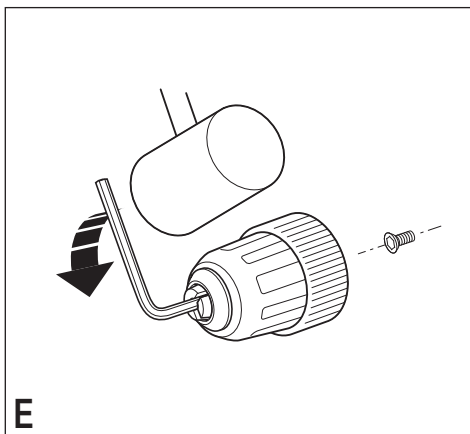
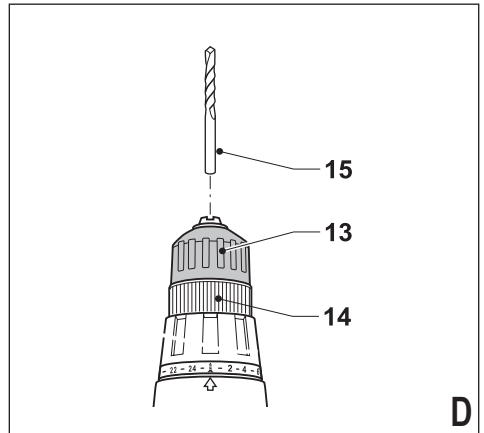
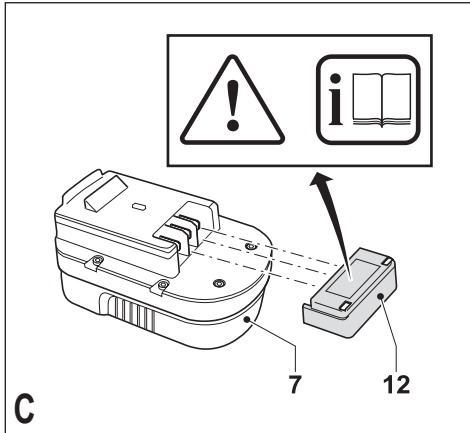
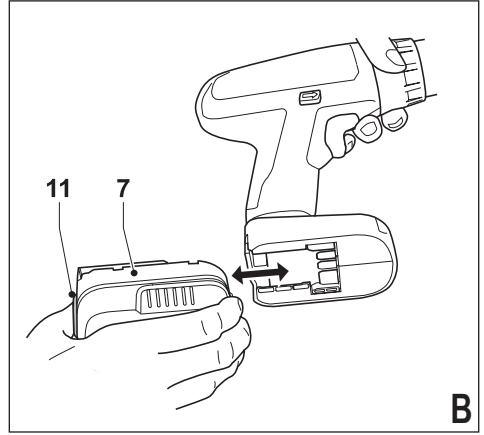
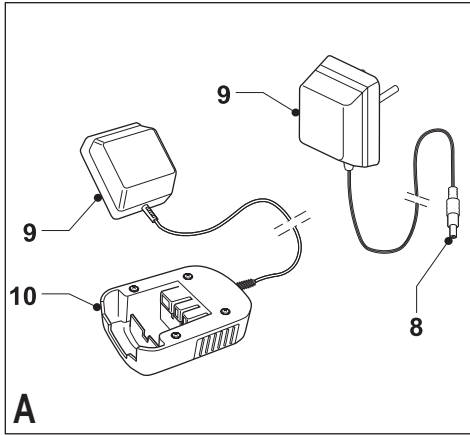
RU

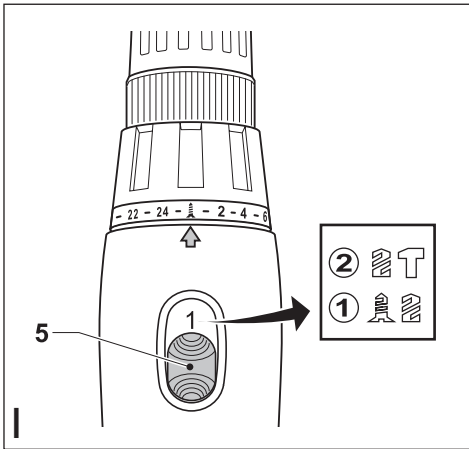
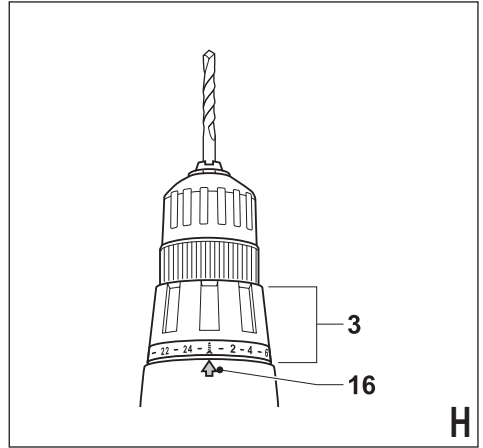
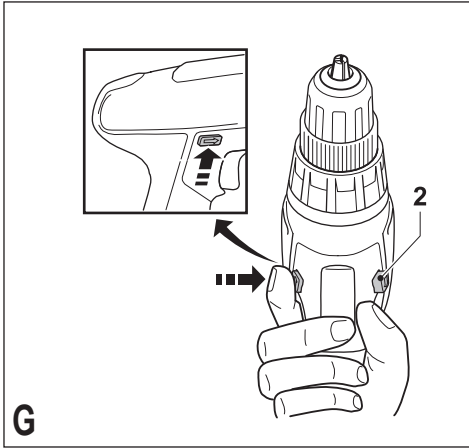
TR

UA

AR







## Intended use

Your BLACK+DECKER drill/screwdriver has been designed for screwdriving applications and for drilling in wood, metal, plastics and soft masonry. This tool is intended for consumer use only.

## Safety instructions

### General power tool safety warnings



#### **Warning! Read all safety warnings**

**and all instructions.** Failure to follow the warnings and instructions listed below may result in electric shock, fire and/or serious injury.

#### **Save all warnings and instructions for future reference.**

The term "power tool" in all of the warnings listed below refers to your mains operated (corded) power tool or battery operated (cordless) power tool.

### 1. Work area safety

- a. **Keep work area clean and well lit.**  
Cluttered or dark areas invite accidents.
- b. **Do not operate power tools in explosive atmospheres, such as in the presence of flammable liquids, gases or dust.** Power tools create sparks which may ignite the dust or fumes.
- c. **Keep children and bystanders away while operating a power tool.**  
Distractions can cause you to lose control.


### 2. Electrical safety

- a. **Power tool plugs must match the outlet. Never modify the plug in any way. Do not use any adapter plugs with earthed (grounded) power tools.** Unmodified plugs and matching outlets will reduce risk of electric shock.
- b. **Avoid body contact with earthed or grounded surfaces such as pipes, radiators, ranges and refrigerators.**  
There is an increased risk of electric shock if your body is earthed or grounded.
- c. **Do not expose power tools to rain or wet conditions.** Water entering a power tool will increase the risk of electric shock.

- d. **Do not abuse the cord. Never use the cord for carrying, pulling or unplugging the power tool. Keep cord away from heat, oil, sharp edges or moving parts.**  
Damaged or entangled cords increase the risk of electric shock.
- e. **When operating a power tool outdoors, use an extension cord suitable for outdoor use.** Use of a cord suitable for outdoor use reduces the risk of electric shock.
- f. **If operating a power tool in a damp location is unavoidable, use a residual current device (RCD) protected supply.** Use of an RCD reduces the risk of electric shock.

### 3. Personal safety

- a. **Stay alert, watch what you are doing and use common sense when operating a power tool. Do not use a power tool while you are tired or under the influence of drugs, alcohol or medication.** A moment of inattention while operating power tools may result in serious personal injury.
- b. **Use personal protective equipment. Always wear eye protection.** Protective equipment such as dust mask, non-skid safety shoes, hard hat, or hearing protection used for appropriate conditions will reduce personal injuries.
- c. **Prevent unintentional starting. Ensure the switch is in the off-position before connecting to power source and/or battery pack, picking up or carrying the tool.** Carrying power tools with your finger on the switch or energising power tools that have the switch on invites accidents.
- d. **Remove any adjusting key or wrench before turning the power tool on.** A wrench or a key left attached to a rotating part of the power tool may result in personal injury.
- e. **Do not overreach. Keep proper footing and balance at all times.** This enables better control of the power tool in unexpected situations.

- f. Dress properly. Do not wear loose clothing or jewellery. Keep your hair, clothing and gloves away from moving parts.** Loose clothes, jewellery or long hair can be caught in moving parts.
- g. If devices are provided for the connection of dust extraction and collection facilities, ensure these are connected and properly used.** Use of dust collection can reduce dust-related hazards.
- 4. Power tool use and care**
- a. Do not force the power tool. Use the correct power tool for your application.** The correct power tool will do the job better and safer at the rate for which it was designed.
- b. Do not use the power tool if the switch does not turn it on and off.** Any power tool that cannot be controlled with the switch is dangerous and must be repaired.
- c. Disconnect the plug from the power source and/or the battery pack from the power tool before making any adjustments, changing accessories, or storing power tools.** Such preventive safety measures reduce the risk of starting the power tool accidentally.
- d. Store idle power tools out of the reach of children and do not allow persons unfamiliar with the power tool or these instructions to operate the power tool.** Power tools are dangerous in the hands of untrained users.
- e. Maintain power tools. Check for misalignment or binding of moving parts, breakage of parts and any other condition that may affect the power tools operation. If damaged, have the power tool repaired before use.** Many accidents are caused by poorly maintained power tools.
- f. Keep cutting tools sharp and clean.** Properly maintained cutting tools with sharp cutting edges are less likely to bind and are easier to control.
- g. Use the power tool, accessories and tool bits etc., in accordance with these instructions, taking into account the working conditions and the work to be performed.** Use of the power tool for operations different from those intended could result in a hazardous situation.
- 5. Battery tool use and care**
- a. Recharge only with the charger specified by the manufacturer.** A charger that is suitable for one type of battery pack may create a risk of fire when used with another battery pack.
- b. Use power tools only with specifically designated battery packs.** Use of any other battery packs may create a risk of injury and fire.
- c. When battery pack is not in use, keep it away from other metal objects, like paper clips, coins, keys, nails, screws, or other small metal objects, that can make a connection from one terminal to another.** Shorting the battery terminals together may cause burns or a fire.
- d. Under abusive conditions, liquid may be ejected from the battery; avoid contact. If contact accidentally occurs, flush with water. If liquid contacts eyes, additionally seek medical help.** Liquid ejected from the battery may cause irritation or burns.
- 6. Service**
- a. Have your power tool serviced by a qualified repair person using only identical replacement parts.** This will ensure that the safety of the power tool is maintained.
- Additional power tool safety warnings**
-  **Warning!** Additional safety warnings for drills and impact drills
- **Wear ear protectors with impact drills.** Exposure to noise can cause hearing loss.
  - **Use auxiliary handles supplied with the tool.** Loss of control can cause personal injury.

- **Hold power tool by insulated gripping surfaces when performing an operation where the cutting accessory may contact hidden wiring or its own cord.**

Cutting accessory contacting a "live" wire may make exposed metal parts of the power tool "live" and could give the operator an electric shock

- **Hold power tool by insulated gripping surfaces when performing an operation where the fastener may contact hidden wiring.**

Fasteners contacting a "live" wire may make exposed metal parts of the power tool "live" and could give the operator an electric shock

- **Use clamps or another practical way to secure and support the workpiece to a stable platform.** Holding the work by hand or against your body leaves it unstable and may lead to loss of control.

- Before drilling into walls, floors or ceilings, check for the location of wiring and pipes.

- Avoid touching the tip of a drill bit just after drilling, as it may be hot.

- This tool is not intended for use by persons (including children) with reduced physical, sensory or mental capabilities, or lack of experience and knowledge, unless they have been given supervision or instruction concerning use of the appliance by a person responsible for their safety. Children should be supervised to ensure that they do not play with the appliance.

- The intended use is described in this instruction manual. The use of any accessory or attachment or performance of any operation with this tool other than those recommended in this instruction manual may present a risk of personal injury and/or damage to property.

## Vibration

The declared vibration emission values stated in the technical data and the declaration of conformity have been measured in accordance with a standard test method provided by EN 60745 and may

be used for comparing one tool with another. The declared vibration emission value may also be used in a preliminary assessment of exposure.

**Warning!** The vibration emission value during actual use of the power tool can differ from the declared value depending on the ways in which the tool is used. The vibration level may increase above the level stated.

When assessing vibration exposure to determine safety measures required by 2002/44/EC to protect persons regularly using power tools in employment, an estimation of vibration exposure should consider, the actual conditions of use and the way the tool is used, including taking account of all parts of the operating cycle such as the times when the tool is switched off and when it is running idle in addition to the trigger time.

## Labels on tool

The following pictograms are shown on the tool; along with the date code



**Warning!** To reduce the risk of injury, the user must read the instruction manual.

## Additional safety instructions for batteries and chargers

### Batteries

- Never attempt to open for any reason.
- Do not expose the battery to water.
- Do not store in locations where the temperature may exceed 40 °C.
- Charge only at ambient temperatures between 10 °C and 40 °C.
- Charge only using the charger provided with the tool.
- When disposing of batteries, follow the instructions given in the section "Protecting the environment".



Do not attempt to charge damaged batteries.

## Chargers

- Use your BLACK+DECKER charger only to charge the battery in the tool with which it was supplied. Other batteries could burst, causing personal injury and damage.
- Never attempt to charge non-rechargeable batteries.
- Have defective cords replaced immediately.
- Do not expose the charger to water.
- Do not open the charger.
- Do not probe the charger.



The charger is intended for indoor use only.



Read the instruction manual before use.



The charger automatically shuts off if the ambient temperature becomes too high. The thermal cut out operates only once and then requires complete replacement.

## Electrical safety



Your charger is double insulated; therefore no earth wire is required. Always check that the mains voltage corresponds to the voltage on the rating plate. Never attempt to replace the charger unit with a regular mains plug.

- If the supply cord is damaged, it must be replaced by the manufacturer or an authorised BLACK+DECKER Service Centre in order to avoid a hazard.

## Features

This tool includes some or all of the following features.

1. Variable speed switch
2. Forward/reverse slider
3. Mode selector / torque adjustment collar

4. Chuck
5. Speed selector
6. Bit holder
7. Battery

## Fig. A

8. Charger plug
9. Charger
10. Charger receptacle

## Assembly

**Warning!** Before assembly, remove the battery from the tool.

### Fitting and removing the battery (fig. B & C)

- To fit the battery (7), line it up with the receptacle on the tool. Slide the battery into the receptacle and push until the battery snaps into place.
- To remove the battery, push the release button (11) while at the same time pulling the battery out of the receptacle.

### Fitting the battery cap (fig. C)

**Warning!** Fit the cap (12) to the battery (7) for transportation and storage.

### Fitting and removing a drill bit or screwdriver bit (fig. D)

This tool is fitted with a keyless chuck to allow for an easy exchange of bits.

- Lock the tool by setting the forward/reverse slider (2) to the centre position.
- Open the chuck by turning the front part (13) with one hand while holding the rear part (14) with the other.
- Insert the bit shaft (15) into the chuck and firmly tighten the chuck.

This tool is supplied with a double-ended screwdriver bit in the bit holder (6).

- To remove the screwdriver bit from the bit holder, lift the bit from the recess.



- To store the screwdriver bit, firmly push it into the holder.

### Removing and refitting the chuck (fig. E)

- Open the chuck as far as possible.
- Remove the chuck retaining screw by turning it clockwise using a screwdriver.
- Tighten an Allen key into the chuck and strike it with a hammer as shown.
- Remove the Allen key.
- Remove the chuck by turning it counterclockwise.
- To refit the chuck, screw it onto the spindle and secure it with the chuck retaining screw.

### Residual risks

Additional residual risks may arise when using the tool which may not be included in the enclosed safety warnings. These risks can arise from misuse, prolonged use etc. Even with the application of the relevant safety regulations and the implementation of safety devices, certain residual risks can not be avoided. These include:

- Injuries caused by touching any rotating/moving parts.
- Injuries caused when changing any parts, blades or accessories.
- Injuries caused by prolonged use of a tool. When using any tool for prolonged periods ensure you take regular breaks.
- Impairment of hearing.
- Health hazards caused by breathing dust developed when using your tool (example:- working with wood, especially oak, beech and MDF.)

### Use

**Warning!** Let the tool work at its own pace. Do not overload.

**Warning!** Before drilling into walls, floors or ceilings, check for the location of wiring and pipes.

### Charging the battery (fig. A & F)

The battery needs to be charged before first use and whenever it fails to produce sufficient power on jobs that were easily done before. When charging the battery for the first time, or after prolonged storage, it will only accept an 80% charge. After several charge and discharge cycles, the battery will attain full capacity. The battery may become warm while charging; this is normal and does not indicate a problem.

**Warning!** Do not charge the battery at ambient temperatures below 10 °C or above 40 °C. Recommended charging temperature: approx. 24 °C.

### Using the charger

- To charge the battery (7), remove it from the tool and slide the charger receptacle (10) onto the battery.
- Plug in the charger (9).

The battery will become warm while charging. After approx. 3 hours of charging, the battery will be sufficiently charged for use in regular applications. After approx. 8-10 hours of charging, the battery will be fully charged.

- Remove the charger receptacle from the battery.

### Charger with charging plug

- To charge the battery, make sure that it is fitted on the drill.
- Insert the charger plug (8) into the connector.
- Plug in the charger.
- Switch on at the mains.

After normal use, a charging time of 3 hours will provide sufficient power for most applications. However, further charging for up to 6 hours could significantly increase the use time, depending on the battery and charging conditions.

- Disconnect the tool from the charger.

**Warning!** Do not use the tool while it is connected to the charger.


### Selecting the direction of rotation (fig. G)

For drilling and for tightening screws, use forward (clockwise) rotation. For loosening screws or removing a jammed drill bit, use reverse (counterclockwise) rotation.


- To select forward rotation, push the forward/reverse slider (2) to the left.
- To select reverse rotation, push the forward/reverse slider to the right.
- To lock the tool, set the forward/reverse slider into the centre position.

### Selecting the operating mode or torque (fig. H)

This tool is fitted with a collar to select the operating mode and to set the torque for tightening screws. Large screws and hard workpiece materials require a higher torque setting than small screws and soft workpiece materials. The collar has a wide range of settings to suit your application.

- For drilling in wood, metal and plastics, set the collar (3) to the drilling position by aligning the symbol  with the marking (16).
- For screwdriving, set the collar to the desired setting. If you do not yet know the appropriate setting, proceed as follows:
  - Set the collar (3) to the lowest torque setting.
  - Tighten the first screw.
  - If the clutch ratchets before the desired result is achieved, increase the collar setting and continue tightening the screw. Repeat until you reach the correct setting. Use this setting for the remaining screws.

### Drilling in masonry (fig. H & I)

- For drilling in masonry, set the collar (3) to the hammer drilling position by aligning the symbol  with the marking (16).
- Slide the speed selector (5) towards the front of the tool (2nd gear).

### Speed selector (fig. I)

- For drilling in steel and for screwdriving applications, slide the speed selector (5) towards the rear of the tool (1st gear).
- For drilling in materials other than steel, slide the speed selector (5) towards the front of the tool (2nd gear).

### Drilling/screwdriving

- Select forward or reverse rotation using the forward/reverse slider (2).
- To switch the tool on, press the switch (1). The tool speed depends on how far you press the switch.
- To switch the tool off, release the switch.

### Hints for optimum use

#### Drilling

- Always apply a light pressure in a straight line with the drill bit.
- Just before the drill tip breaks through the other side of the workpiece, decrease pressure on the tool.
- Use a block of wood to back up workpieces that may splinter.
- Use spade bits when drilling large diameter holes in wood.
- Use HSS drill bits when drilling in metal.
- Use masonry bits when drilling in soft masonry.
- Use a lubricant when drilling metals other than cast iron and brass.
- Make an indentation using a centre punch at the centre of the hole to be drilled in order to improve accuracy.

#### Screwdriving

- Always use the correct type and size of screwdriver bit.
- If screws are difficult to tighten, try applying a small amount of washing liquid or soap as a lubricant.

- Always hold the tool and screwdriver bit in a straight line with the screw.

## Maintenance

Your BLACK+DECKER tool has been designed to operate over a long period of time with a minimum of maintenance. Continuous satisfactory operation depends upon proper tool care and regular cleaning.

Your charger does not require any maintenance apart from regular cleaning.

**Warning!** Before performing any maintenance on the tool, remove the battery from the tool. Unplug the charger before cleaning it.

- Regularly clean the ventilation slots in your tool and charger using a soft brush or dry cloth.
- Regularly clean the motor housing using a damp cloth. Do not use any abrasive or solvent-based cleaner.
- Regularly open the chuck and tap it to remove any dust from the interior.

## Batteries



BLACK+DECKER batteries can be recharged many times. At the end of their useful life, discard batteries with due care for our environment:

- Run the battery down completely, then remove it from the tool.
- NiCd, NiMH and Li-Ion batteries are recyclable. Take them to any authorised repair agent or a local recycling station.

## Technical data

		EPC126 (H1)	EPC146 (H1)	EPC186 (H1)
Voltage	V <sub>DC</sub>	12	14.4	18
No-load speed	min <sup>-1</sup>	0-450/ 0-1400	0-450/ 0-1500	0-400/ 0-1350
Max. torque	Nm	18	20	25
Chuck capacity	mm	10	10	10
Max drilling capacity				
Steel/Wood	mm	10/25	10/25	10/25

Battery		A12/A12E	A14/A14E	A18/A18E
Capacity	Ah	1.0	1.0	1.0
Type		NiCd	NiCd	NiCd
Weight	kg	0.5	0.6	0.7
Battery		A12NH	A14NH	A18NH
Capacity	Ah	1.5	1.5	1.5
Type		NiMH	NiMH	NiMH
Weight	kg	0.6	0.7	0.9
Charger				
		90500843	90500844	90500845
		90500847	90500848	90500849
		90500855	90500856	90500857
		90500858	90500859	90500860
Input voltage	V <sub>AC</sub>	230-240	230-240	230-240
Output voltage	V <sub>DC</sub>	14.5-15.3	17.4-18.2	21.75-22.6
Current	mA	210-220	200-210	210-230
Approx. charging time	h	8-10	8-10	8-10

		EPC128 (H1)	EPC148 (H1)	EPC188 (H1)
Voltage	V <sub>DC</sub>	12	14.4	18
No-load speed	min <sup>-1</sup>	0-450/ 0-1400	0-450/ 0-1500	0-400/ 0-1350
Max. torque	Nm	18	22	25
Chuck capacity	mm	10	10	10
Max drilling capacity				
Steel/Wood	mm	10/25	10/25	10/25
Masonry	mm	10	10	10

Battery		A12/A12E	A14/A14E	A18/A18E
Capacity	Ah	1.0	1.0	1.0
Type		NiCd	NiCd	NiCd
Weight	kg	0.5	0.6	0.7
Battery		A12NH	A14NH	A18NH
Capacity	Ah	1.5	1.5	1.5
Type		NiMH	NiMH	NiMH
Weight	kg	0.6	0.7	0.9
Charger				
		90500843	90500844	90500845
		90500847	90500848	90500849
		90500855	90500856	90500857
		90500858	90500859	90500860
Input voltage	V <sub>AC</sub>	230-240	230-240	230-240
Output voltage	V <sub>DC</sub>	14.5-15.3	17.4-18.2	21.75-22.6
Current	mA	210-220	200-210	210-230
Approx. charging time	h	8-10	8-10	8-10

**Level of sound pressure according to EN 60745:**

Sound pressure ( $L_{pA}$ ) 87 dB(A), uncertainty (K) 3 dB(A)  
 Sound power ( $L_{WA}$ ) 98 dB(A), uncertainty (K) 3 dB(A)

**Vibration total values (triax vector sum) according to EN 60745:**

Impact drilling into concrete ( $a_{h,1D}$ ) 11.4 m/s<sup>2</sup>, uncertainty (K) 1.5 m/s<sup>2</sup>  
 Drilling into metal ( $a_{h,D}$ ) < 2.5 m/s<sup>2</sup>, uncertainty (K) 1.5 m/s<sup>2</sup>  
 Screwdriving without impact ( $a_{h,S}$ ) < 2.5 m/s<sup>2</sup>, uncertainty (K) 1.5 m/s<sup>2</sup>

**EC declaration of conformity**  
 MACHINERY DIRECTIVE



**EPC126/EPC146/EPC186**  
**EPC148/EPC148/EPC188**

BLACK+DECKER declares that these products described under "technical data" are in compliance with: 2006/42/EC, EN 60745-1, EN 60745-2-1

For more information, please contact BLACK+DECKER at the following address or refer to the back of the manual.

The undersigned is responsible for compilation of the technical file and makes this declaration on behalf of BLACK+DECKER.

**Kevin Hewitt**

Vice-President Global Engineering  
 BLACK+DECKER Europe, 210 Bath Road,  
 Slough,  
 Berkshire, SL1 3YD  
 United Kingdom  
 09.2015

**Protecting the environment**



Separate collection. This product must not be disposed of with normal household waste.

Should you find one day that your BLACK+DECKER product needs replacement, or if it is of no further use to you, do not dispose of it with household waste. Make this product available for separate collection.



Separate collection of used products and packaging allows materials to be recycled and used again. Reuse of recycled materials helps prevent environmental pollution and reduces the demand for raw materials.

Local regulations may provide for separate collection of electrical products from the household, at municipal waste sites or by the retailer when you purchase a new product.

BLACK+DECKER provides a facility for the collection and recycling of BLACK+DECKER products once they have reached the end of their working life. To take advantage of this service please return your product to any authorised repair agent who will collect them on our behalf.

You can check the location of your nearest authorised repair agent by contacting your local BLACK+DECKER office at the address indicated in this manual. Alternatively, a list of authorised BLACK+DECKER repair agents and full details of our after-sales service and contacts are available on the Internet at: [www.2helpU.com](http://www.2helpU.com).

## Guarantee

Black + Decker is confident of the quality of its products and offers an outstanding guarantee. This guarantee statement is in addition to and in no way prejudices your statutory rights.

If a Black + Decker product becomes defective due to faulty materials, workmanship or lack of conformity, within 24 months from the date of purchase, BLACK+DECKER guarantees to replace defective parts, repair products subjected to fair wear and tear or replace such products to make sure of the minimum inconvenience to the customer unless:

- The product has been used for trade, professional or hire purposes.
- The product has been subjected to misuse or neglect.
- The product has sustained damage through foreign objects, substances or accidents.
- Repairs have been attempted by persons other than authorised repair agents or Black + Decker service staff.

To claim on the guarantee, you will need to submit proof of purchase to the seller or an authorised repair agent. You can check the location of your nearest authorised repair agent by contacting your local BLACK+DECKER office at the address indicated in this manual. Alternatively, a list of authorised BLACK+DECKER repair agents and full details of our aftersales service and contacts are available on the Internet at: [www.2helpU.com](http://www.2helpU.com)

## Utilisation prévue

Votre perceuse / tournevis BLACK+DECKER a été conçue pour la pose de vis et pour le perçage du bois, du métal, des matières plastiques et de la maçonnerie légère. Cet outil a été conçu pour une utilisation exclusivement domestique.

## Instructions de sécurité

### Consignes de sécurité générales pour les outils électriques



**Attention ! Prenez connaissance de tous les avertissements de sécurité et de toutes les instructions.** Le

non-respect des avertissements et des instructions indiqués ci-dessous peut entraîner une électrocution, un incendie ou de graves blessures.

### Conservez tous les avertissements et instructions pour référence future.

La notion d'« outil électroportatif » mentionnée par la suite se rapporte à des outils électriques raccordés au secteur (avec câble de raccordement) ou fonctionnant sur piles (sans fil).

#### 1. Sécurité de la zone de travail

- a. **Maintenez la zone de travail propre et bien éclairée.** Un lieu de travail en désordre ou mal éclairé augmente le risque d'accidents.
- b. **N'utilisez pas les outils électroportatifs dans un environnement présentant des risques d'explosion ni en présence de liquides, gaz ou poussières inflammables.** Les outils électroportatifs génèrent des étincelles risquant d'enflammer les poussières ou les vapeurs.
- c. **Tenez les enfants et autres personnes éloignés durant l'utilisation de l'outil électroportatif.** En cas d'inattention, vous risquez de perdre le contrôle sur l'outil.

#### 2. Sécurité électrique

- a. **La fiche de secteur de l'outil électroportatif doit convenir à la prise de courant. Ne modifiez en aucun cas la**

**fiche. N'utilisez pas de fiches d'adaptateur avec des outils ayant une prise de terre.** Les fiches non modifiées et les prises de courant appropriées réduisent le risque d'électrocution.

- b. **Évitez le contact physique avec des surfaces mises à la terre telles que tuyaux, radiateurs, fours et réfrigérateurs.** Il y a un risque élevé d'électrocution si votre corps est relié à la terre.
- c. **N'exposez pas l'outil électroportatif à la pluie ni à l'humidité.** La pénétration d'eau dans un outil électroportatif augmente le risque d'électrocution.
- d. **Préservez le câble d'alimentation. N'utilisez pas le câble à d'autres fins que celles prévues, notamment pour porter l'outil, l'accrocher voire le débrancher de la prise de courant. Maintenez le câble éloigné des sources de chaleur, des parties grasses, des bords tranchants ou des parties de l'outil en rotation.** Un câble endommagé ou enchevêtré augmente le risque d'électrocution.
- e. **Si vous utilisez l'outil électroportatif à l'extérieur, utilisez une rallonge homologuée pour utilisation à l'air libre.** L'utilisation d'une rallonge électrique homologuée pour les applications extérieures réduit le risque d'électrocution.
- f. **Si l'usage d'un outil dans un emplacement humide est inévitable, utilisez une alimentation protégée par un dispositif à courant différentiel résiduel (RCD).** L'usage d'un RCD réduit le risque de choc électrique.

#### 3. Sécurité personnelle

- a. **Restez vigilant, surveillez ce que vous faites. Faites preuve de bon sens quand vous utilisez l'outil électroportatif. N'utilisez pas l'outil lorsque vous êtes fatigué ou après avoir consommé de l'alcool, des drogues voire des médicaments.** Un moment d'inattention lors de l'utilisation de l'outil peut entraîner de graves blessures.

- b. Utilisez un équipement de protection personnelle. Portez toujours une protection pour les yeux.** Les équipements de protection personnelle tels que les masques anti-poussières, chaussures de sécurité antidérapantes, casques ou protections acoustiques utilisés dans des conditions appropriées réduisent les blessures.
- c. Évitez toute mise en marche involontaire. Vérifiez que l'interrupteur est en position arrêté avant de brancher l'outil au secteur ou au bloc de batteries, de le prendre ou de le porter.** Transporter les outils en avec le doigt sur l'interrupteur ou les brancher avec l'interrupteur en position de marche est une source d'accidents.
- d. Enlevez tout outil ou clé de réglage avant de mettre l'outil en marche.** Une clé ou un outil se trouvant sur une partie en rotation peut causer des blessures.
- e. Adoptez une position confortable. Adoptez une position stable et gardez votre équilibre à tout moment.** Vous contrôlerez mieux l'outil dans des situations inattendues.
- f. Portez des vêtements appropriés. Ne portez pas de vêtements flottants ou de bijoux. N'approchez pas les cheveux, vêtements ou gants des parties des pièces mobiles.** Les vêtements amples, les bijoux ou les cheveux longs peuvent être attrapés dans les pièces en mouvement.
- g. Si des dispositifs servant à aspirer ou à recueillir les poussières doivent être utilisés, vérifiez qu'ils sont correctement raccordés et utilisés.** Le fait d'aspirer la poussière permet de réduire les risques inhérents à la poussière.
- 4. Utilisation des outils électroportatifs et précautions**
- a. Ne surchargez pas l'outil. Utilisez l'outil électroportatif approprié pour le travail à effectuer.** Avec l'outil électroportatif approprié, vous travaillerez mieux et avec plus de sécurité à la vitesse pour laquelle il a été conçu.
- b. N'utilisez pas un outil électroportatif dont l'interrupteur est défectueux.** Un outil électroportatif qui ne peut plus être mis en ou hors fonctionnement est dangereux et doit être réparé.
- c. Déconnectez la prise de la source d'alimentation ou le pack-batterie de l'outil électrique avant tout réglage, changement d'accessoire voire rangement des outils électriques.** Cette mesure de précaution empêche une mise en marche par mégarde.
- d. Rangez les outils électroportatifs hors de portée des enfants. Ne laissez pas les personnes n'étant pas familiarisées avec l'outil ou n'ayant pas lu ces instructions l'utiliser.** Les outils électroportatifs sont dangereux lorsqu'ils sont utilisés par des personnes non initiées.
- e. Prenez soin des outils électroportatifs. Vérifiez que les parties en mouvement fonctionnent correctement et qu'elles ne sont pas coincées ; vérifiez qu'il n'y a pas de pièces cassées ou endommagées susceptibles de nuire au bon fonctionnement de l'outil. S'il est endommagé, faites réparer l'outil avant de l'utiliser.** De nombreux accidents sont dus à des outils électroportatifs mal entretenus.
- f. Maintenez les outils de coupe aiguisés et propres.** Des outils soigneusement entretenus avec des bords tranchants bien aiguisés se coincent moins souvent et peuvent être guidés plus facilement.
- g. Utilisez l'outil électrique, les accessoires et forets, etc. conformément à ces instructions, en tenant compte des conditions de travail et des tâches à effectuer.** L'utilisation des outils électroportatifs à d'autres fins que celles prévues peut entraîner des situations dangereuses.
- 5. Utilisation des outils à batterie et précautions**
- a. Rechargez la batterie uniquement avec le chargeur spécifié par le fabricant.** Un chargeur prévu pour un type de batterie présente un risque d'incendie s'il est utilisé avec un autre type de batterie.

- b. Utilisez les outils électroportatifs uniquement avec les batteries spécifiquement conçues pour eux.** L'utilisation d'autres batteries peut comporter un risque de blessures ou d'incendie.
- c. Quand vous ne l'utilisez pas, rangez la batterie loin d'autres objets métalliques tels que trombones, pièces, clous, vis ou autres pouvant créer une connexion entre deux bornes.** Court-circuiter les bornes du pack-batteries peut provoquer des brûlures ou un incendie.
- d. Dans des conditions inappropriées, la batterie peut rejeter du liquide. Évitez le contact. Si un contact accidentel se produit, rincez à l'eau. Si le liquide touche les yeux, consultez un médecin.** Le liquide rejeté par la pile peut causer une irritation cutanée ou des brûlures.

## 6. Réparations

- a. Faites réparer votre outil électroportatif uniquement par du personnel qualifié et seulement avec des pièces de rechange d'origine.** Cela garantira le maintien de la sécurité de votre outil.

## Avertissements de sécurité supplémentaires pour les outils électriques



**Attention !** Avertissements de sécurité supplémentaires pour les perceuses et perceuses à percussion

- **Portez une protection auditive avec les perceuses à percussion.** L'exposition au bruit peut causer des pertes de l'audition.
- **Utilisez les poignées additionnelles fournies avec l'outil.** Une perte de contrôle peut provoquer des blessures.
- **Tenez l'outil uniquement par les surfaces isolées des poignées si l'opération effectuée peut mettre la lame en contact avec des câbles électriques cachés ou son propre cordon électrique.** Le contact de l'accessoire de coupe avec un câble sous tension met les parties métalliques de l'outil sous tension et peut provoquer une électrocution de l'utilisateur.
- **Utilisez des fixations ou tout autre moyen pratique pour fixer et soutenir la pièce à ouvrir sur une plate-forme stable.** Si vous tenez la pièce à la main

ou contre votre corps, elle est instable et vous pouvez en perdre le contrôle.

- Avant de percer les murs, les planchers ou les plafonds, vérifiez l'emplacement des fils électriques et des tuyaux.
- Évitez de toucher l'extrémité d'un foret juste après avoir percé car il peut être chaud.
- Cet outil n'est pas destiné à être utilisé par des personnes (notamment des enfants) présentant des capacités physiques, sensorielles ou mentales limitées voire dépourvues de connaissance et d'expérience, sauf si elles sont supervisées ou ont reçu des instructions pour l'usage de l'appareil par une personne responsable de leur sécurité. Les enfants ne doivent pas jouer avec l'appareil.
- Le domaine d'utilisation de l'outil est décrit dans le présent manuel. L'utilisation d'accessoires ou la réalisation d'opérations avec cet outil autres que ceux recommandés dans le présent manuel peut entraîner un risque de blessure ou de dégâts.

## Vibration

Les valeurs des émissions de vibrations mentionnées dans les données techniques et la déclaration de conformité ont été mesurées conformément à la méthode de test normalisée indiquée par EN 60745 et permettent les comparaisons entre outils. Les valeurs des émissions de vibrations peuvent également servir à une évaluation préliminaire de l'exposition.

Attention ! Les valeurs des émissions de vibrations en utilisant réellement l'outil peuvent différer des valeurs déclarées en fonction du mode d'usage de l'outil. Le niveau de vibration peut dépasser le niveau indiqué.

Pour évaluer l'exposition aux vibrations afin de déterminer les mesures de sécurité imposées par 2002/44/CE pour protéger les personnes utilisant régulièrement des outils électriques, une estimation de l'exposition aux vibrations devrait prendre en compte les conditions réelles et le mode d'utilisation de l'outil, notamment l'ensemble du cycle de fonctionnement ainsi l'arrêt de l'outil et son fonctionnement au ralenti, outre le démarrage.



## Étiquettes apposées sur l'outil

Les pictogrammes suivants sont présents sur l'outil :



**Attention !** Afin de réduire les risques de blessures, l'utilisateur doit lire le manuel d'instructions.

## Instructions de sécurité supplémentaires pour les batteries et chargeurs

### Batteries

- Ne tentez jamais d'ouvrir pour quelque raison que ce soit.
- N'exposez pas la batterie à l'humidité.
- Ne stockez pas dans des endroits où la température peut dépasser 40 °C.
- Chargez uniquement à température ambiante, entre 10 °C et 40 °C.
- Chargez uniquement en utilisant le chargeur fourni avec l'outil.
- Lorsque vous jetez des batteries, suivez les instructions données à la section « Protection de l'environnement ».



Ne chargez pas une batterie endommagée.

### Chargeurs

- Utilisez uniquement votre chargeur BLACK+DECKER pour charger les batteries fournies avec votre outil ou de même type et modèle. D'autres batteries pourraient exploser et causer des dommages ou blessures.
- Ne tentez jamais de charger des batteries non rechargeables.
- Remplacez immédiatement les fils électriques défectueux.
- Ne mettez pas le chargeur en contact avec de l'eau.
- N'ouvrez pas le chargeur.
- Ne testez pas le chargeur.



Le chargeur a été conçu pour être utilisé uniquement à l'intérieur.



Lisez le manuel d'instruction avant utilisation.



Le chargeur est automatiquement mis hors tension si la température ambiante est trop élevée. Le rupteur thermique ne fonctionne qu'une fois. Ensuite, il doit être intégralement remplacé.

## Sécurité électrique



Votre chargeur est doublement isolé ; par conséquent, aucun câble de masse n'est nécessaire. Vérifiez toujours que la tension du secteur correspond à la tension indiquée sur la plaque d'identification. Ne tentez jamais de remplacer le chargeur par une prise au secteur normale.

- Si le câble d'alimentation est endommagé, il doit être remplacé par le fabricant ou par un centre de réparation agréé BLACK+DECKER afin d'éviter tout accident.

## Caractéristiques

Cet outil comprend toutes ou certaines des caractéristiques suivantes.

1. Interrupteur à variateur de vitesse
2. Sélecteur de rotation droite / gauche
3. Sélecteur de mode / bague de réglage du couple
4. Mandrin
5. Sélecteur de vitesse
6. Porte-embout
7. Batterie
8. Prise de chargeur
9. Chargeur
10. Boîtier du chargeur

### Fig. A

## Assemblage

**Attention !** Avant l'assemblage, enlevez la batterie.

### Installation et retrait de la batterie (fig. B & C)

- Pour mettre la batterie en place (7), alignez-la avec le boîtier sur l'outil. Faites glisser la batterie dans le boîtier et poussez pour l'enclencher.
- Pour retirer la batterie, appuyez sur le bouton de déverrouillage (11) tout en retirant la batterie du boîtier.

### Montage du cache de batterie (fig. C)

**Attention !** Installez le cache (12) sur la batterie (7) pour la transporter et la ranger.

### Installation et retrait d'un foret de perçage ou de vissage (fig. D)

Cet outil est équipé d'un mandrin sans clef pour vous permettre de changer les accessoires plus rapidement.

- Verrouillez l'outil en réglant le sélecteur de rotation droite / gauche (2) sur la position centrale.
- Ouvrez le mandrin en faisant tourner la partie avant (13) d'une main tout en tenant la partie arrière (14) de l'autre main.
- Insérez la tige du foret (15) dans le mandrin et serrez fermement le mandrin.

Cet outil est livré avec un double embout de vissage dans le support d'embout (6).

- Pour retirer le double embout de vissage du support d'embout, soulevez l'embout de sa cavité.
- Pour remettre l'embout en place, poussez-le fermement dans le support.

### Comment enlever et replacer le mandrin (fig. E)

- Ouvrez le mandrin jusqu'à son ouverture maximum.
- Enlevez la vis de serrage du mandrin en la faisant tourner dans le sens des aiguilles d'une montre à l'aide d'un tournevis.

- Serrez une clé Allen dans le mandrin et desserrez-le en donnant un coup de marteau sur la clé Allen comme l'indique le dessin.
- Enlevez la clé Allen.
- Enlevez le mandrin en le faisant tourner dans le sens anti-horaire.
- Pour replacer le mandrin, vissez-le sur l'arbre et serrez-le avec la vis de serrage.

### Risques résiduels

L'utilisation d'un outil non mentionné dans les consignes de sécurité données peut entraîner des risques résiduels supplémentaires. Ces risques peuvent survenir si l'outil est mal utilisé, si l'utilisation est prolongée, etc.

Malgré l'application des normes de sécurité correspondantes et la présence de dispositifs de sécurité, les risques résiduels suivants ne peuvent être évités. Ceci comprend :

- **Les blessures dues au contact avec une pièce mobile/en rotation.**
- **Les blessures causées en changeant des pièces, lames ou accessoires.**
- **Les blessures dues à l'utilisation prolongée d'un outil. Une utilisation prolongée de l'outil nécessite des pauses régulières.**
- **Déficiences auditives.**
- **Risques pour la santé causés par l'inhalation de poussières produites pendant l'utilisation de l'outil (exemple : travail avec du bois, surtout le chêne, le hêtre et les panneaux en MDF).**

### Utilisation

**Attention !** Laissez l'outil fonctionner à sa propre vitesse. Ne le surchargez pas.

**Attention !** Avant de percer les murs, les planchers ou les plafonds, vérifiez l'emplacement des fils électriques et des tuyaux.

**Chargement de la batterie (fig. A & F)**

La batterie a besoin d'être chargée avant la première utilisation et à chaque fois qu'elle ne produit pas une puissance suffisante pour des travaux facilement effectués auparavant. Lorsque vous chargez la batterie pour la première fois ou suite à une inutilisation prolongée, le chargement ne se fera qu'à 80%. Après plusieurs cycles de chargement et de déchargement, la batterie atteindra sa capacité totale. La batterie peut chauffer pendant le chargement ; cela est normal et n'indique pas de problème particulier.

**Attention !** Ne chargez pas la batterie à une température ambiante inférieure à 10 °C ou supérieure à 40 °C. Température de chargement recommandée : environ 24 °C.

**Utilisation du chargeur**

- Pour charger la batterie (7), retirez-la de l'outil et glissez le réceptacle du chargeur (10) sur la batterie.
- Branchez le chargeur (9).

La batterie chauffe lors du chargement. La batterie sera suffisamment chargée après un délai d'environ 3 heures pour une utilisation normale. La batterie est complètement chargée après un délai d'environ 8-10 heures.

- Dégagez la batterie du boîtier du chargeur.

**Chargeur avec prise de chargeur**

- Pour charger la batterie, assurez-vous qu'elle est bien installée sur la perceuse.
- Insérez la prise de chargeur (8) dans le connecteur.
- Branchez le chargeur.
- Mettez sous tension.

Après une utilisation normale, la batterie doit être mise en charge pendant environ 3 heures pour pouvoir être utilisée dans la plupart des applications. Toutefois, un temps de charge de 8-10 heures peut accroître considérablement la durée d'utilisation, en fonction de la batterie et des conditions de charge.

- Débranchez l'outil du chargeur.

**Attention !** Veillez à ne pas utiliser l'outil lorsqu'il est branché au chargeur.


**Sélection du sens de rotation (fig. G)**

Pour le perçage et le serrage des vis, utilisez la rotation vers l'avant (dans le sens horaire). Pour desserrer les vis ou enlever un foret de perçage coincé, utilisez la rotation vers l'arrière (dans le sens anti-horaire).

- Pour sélectionner la rotation vers l'avant, poussez le sélecteur de rotation droite / gauche (2) vers la gauche.
- Pour sélectionner la rotation vers l'arrière, poussez le sélecteur de rotation droite / gauche vers la droite.
- Pour verrouiller l'outil, réglez le sélecteur de rotation droite / gauche sur la position centrale.

**Sélection du mode de fonctionnement (fig. H)**

Cet outil est muni d'une bague servant à régler le mode de fonctionnement et le couple de serrage des vis. Les grosses vis et les matières d'oeuvre rigides nécessitent un couple de serrage plus grand que les petites vis et les matières d'oeuvre peu rigides. La bague possède une large gamme de réglages de manière à pouvoir répondre à vos besoins.

- Pour le perçage du bois, du métal et du plastique, placez la bague (3) sur la position de perçage en alignant le symbole  avec la marque (16).
- Pour le vissage, réglez la bague à la position désirée. Si vous ne connaissez pas encore le bon réglage, procédez comme suit :
  - Placez la bague (3) au réglage de couple le plus bas.
  - Serrez la première vis.
  - Si l'embrayage fait « clic » avant d'avoir obtenu le résultat désiré, augmentez le réglage de la bague et continuez à serrer la vis. Répétez jusqu'à obtenir le bon réglage. Utilisez ce réglage pour les vis restantes.

**Perçage de la maçonnerie (fig. H & I)**

- Pour le perçage de la maçonnerie, réglez la bague (3) sur la position de perçage au marteau en alignant le symbole **T** avec la marque (16).
- Glissez le sélecteur de vitesse (5) vers l'avant de l'outil (deuxième vitesse).

**Sélecteur de vitesse (fig. I)**

- Pour le perçage de l'acier et la pose de vis, glissez le sélecteur de vitesse (5) vers l'arrière de l'outil (première vitesse).
- Pour le perçage de matières autres que l'acier, glissez le sélecteur de vitesse (5) vers l'avant de l'outil (deuxième vitesse).

**Perçage / vissage**

- Sélectionnez la rotation vers la droite ou la gauche à l'aide du sélecteur de rotation droite / gauche (2).
- Pour mettre l'outil en marche, appuyez sur l'interrupteur (1). La vitesse de l'outil dépend de la force que vous exercez sur l'interrupteur.
- Relâchez l'interrupteur pour mettre l'outil hors fonction.

**Conseils pour une utilisation optimale****Perçage**

- Appliquez toujours une pression légère et rectiligne avec le foret de perçage.
- Juste avant que le foret de perçage ne passe de l'autre côté de la pièce, diminuez la pression sur l'outil.
- Utilisez un bloc de bois pour protéger les pièces pouvant se briser.
- Utilisez des mèches à bois lorsque vous percez des trous d'un large diamètre dans du bois.
- Utilisez des forets de perçage HSS lorsque vous percez du métal.
- Utilisez des forets de maçonnerie lorsque vous percez des pièces de maçonnerie légères.

- Utilisez un lubrifiant lorsque vous percez des métaux autres que la fonte et le laiton.
- Faites une entaille à l'aide d'une contrepointe de centrage au centre de l'orifice à percer afin d'améliorer la précision

**Vissage**

- Utilisez toujours le bon type et la bonne taille d'embout de tournevis.
- Si les vis sont difficiles à serrer, essayez d'appliquer un petit peu de liquide vaisselle ou de savon comme lubrifiant.
- Tenez toujours l'outil et l'embout de tournevis en ligne droite par rapport à la vis.

**Entretien**

Votre outil BLACK+DECKER a été conçu pour fonctionner pendant longtemps avec un minimum d'entretien. Un fonctionnement continu satisfaisant dépend d'un nettoyage régulier et d'un entretien approprié de l'outil.

Votre chargeur ne nécessite aucun entretien autre qu'un nettoyage régulier.

**Attention !** Avant de procéder à tout entretien de l'outil, retirez la batterie. Débranchez le chargeur avant de le nettoyer.

- Nettoyez régulièrement les orifices de ventilation de votre outil et le chargeur à l'aide d'une brosse douce ou d'un chiffon sec.
- Nettoyez régulièrement le carter du moteur à l'aide d'un chiffon humide. N'utilisez pas de produit abrasif ou à base de solvant.
- Ouvrez régulièrement le mandrin et tapotez dessus pour retirer toute poussière à l'intérieur.

**Packs-batteries**

Les batteries BLACK+DECKER peuvent être rechargées de nombreuses fois. À la fin de leur durée de vie technique, jetez les batteries en respectant l'environnement :

- Videz complètement la batterie, puis retirez-la de l'outil.
- Les batteries NiCd, NiMH et Li-Ion sont recyclables. Apportez-les à votre réparateur agréé ou à un centre de recyclage local.

## Caractéristiques techniques

		EPC126 (H1)	EPC146 (H1)	EPC186 (H1)
Voltage	$V_{DC}$	12	14.4	18
Vitesse à vide	$\text{min}^{-1}$	0-450/ 0-1400	0-450/ 0-1500	0-400/ 0-1350
Couple max.	Nm	18	20	25
Capacité du mandrin	mm	10	10	10
Capacité max. de perçage acier/bois	mm	10/25	10/25	10/25
<b>Batterie</b>				
		A12/A12E	A14/A14E	A18/A18E
Ampérage	Ah	1.0	1.0	1.0
Type de batterie		NiCd	NiCd	NiCd
Poids	kg	0.5	0.6	0.7
<b>Battery</b>				
		A12NH	A14NH	A18NH
Ampérage	Ah	1.5	1.5	1.5
Type de batterie		NiMH	NiMH	NiMH
Poids	kg	0.6	0.7	0.9
<b>Chargeur</b>				
		90500843	90500844	90500845
		90500847	90500848	90500849
		90500855	90500856	90500857
		90500858	90500859	90500860
Tension secteur	$V_{AC}$	230-240	230-240	230-240
Tension de sortie	$V_{DC}$	14.5-15.3	17.4-18.2	21.75-22.6
Ampérage	mA	210-220	200-210	210-230
Temps de chargement approx	h	8-10	8-10	8-10

<b>Batterie</b>		A12/A12E	A14/A14E	A18/A18E
Ampérage	Ah	1.0	1.0	1.0
Type de batterie		NiCd	NiCd	NiCd
Poids	kg	0.5	0.6	0.7
<b>Battery</b>		A12NH	A14NH	A18NH
Ampérage	Ah	1.5	1.5	1.5
Type de batterie		NiMH	NiMH	NiMH
Poids	kg	0.6	0.7	0.9
<b>Chargeur</b>				
		90500843	90500844	90500845
		90500847	90500848	90500849
		90500855	90500856	90500857
		90500858	90500859	90500860
Tension secteur	$V_{AC}$	230-240	230-240	230-240
Tension de sortie	$V_{DC}$	14.5-15.3	17.4-18.2	21.75-22.6
Ampérage	mA	210-220	200-210	210-230
Temps de chargement approx	h	8-10	8-10	8-10

### Niveau de la pression sonore selon la norme EN 60745 :

Pression acoustique ( $L_{pA}$ ) 87 dB(A), incertitude (K) 3 dB(A)

Puissance acoustique ( $L_{WA}$ ) 98 dB(A), incertitude (K) 3 dB(A)

### Valeurs totales de vibration (somme vectorielle triax) selon EN 60745 :

Perçage à percussion dans le béton ( $a_{h, D}$ ) 11.4  $\text{m/s}^2$ , incertitude (K) 1.5  $\text{m/s}^2$

Perçage dans le métal ( $a_{h, D}$ ) <2.5  $\text{m/s}^2$ , incertitude (K) 1.5  $\text{m/s}^2$

Vissage sans percussion ( $a_{h, S}$ ) <2.5  $\text{m/s}^2$ , incertitude (K) 1.5  $\text{m/s}^2$

		EPC128 (H1)	EPC148 (H1)	EPC188 (H1)
Voltage	$V_{DC}$	12	14.4	18
Vitesse à vide	$\text{min}^{-1}$	0-450/ 0-1400	0-450/ 0-1500	0-400/ 0-1350
Couple max.	Nm	18	22	25
Capacité du mandrin	mm	10	10	10
Capacité max. de perçage acier/bois	mm	10/25	10/25	10/25
maçonnerie	mm	10	10	10

## Déclaration de conformité CE

DIRECTIVE MACHINES



**EPC126/EPC146/EPC186**  
**EPC148/EPC148/EPC188**

BLACK+DECKER déclare que ces produits décrits sous les "caractéristiques techniques" sont conformes avec : 2006/42/CE, EN 60745-1, EN 60745-2-1

Pour en savoir plus, veuillez contacter BLACK+DECKER à l'adresse suivante ou consultez le dos du manuel.

Le soussigné est responsable de la compilation du fichier technique et effectue cette déclaration au nom de BLACK+DECKER.

**Kevin Hewitt**

Vice-président Ingénierie globale  
BLACK+DECKER Europe, 210 Bath Road,  
Slough,  
Berkshire, SL1 3YD  
Royaume Uni  
09.2015

## Protection de l'environnement



Collecte séparée. Ce produit ne doit pas être jeté avec les déchets domestiques normaux.

Si vous décidez de remplacer ce produit BLACK+DECKER, ou si vous n'en avez plus l'utilité, ne le jetez pas avec vos déchets domestiques. Rendez-le disponible pour une collecte séparée.



La collecte séparée des produits et emballages usés permet le recyclage des articles afin de les utiliser à nouveau. Le fait d'utiliser à nouveau des produits recyclés permet d'éviter la pollution environnementale et de réduire la demande de matières premières.

Les réglementations locales peuvent permettre la collecte séparée des produits électriques du foyer, dans des déchetteries municipales ou auprès du revendeur vous ayant vendu votre nouveau produit.

BLACK+DECKER fournit un dispositif permettant de collecter et de recycler les produits BLACK+DECKER lorsqu'ils ont atteint la fin de leur cycle de vie. Pour pouvoir profiter de ce service, veuillez retourner votre produit à un réparateur agréé qui se chargera de le collecter pour nous.

Pour connaître l'adresse du réparateur agréé le plus proche de chez vous, contactez le bureau BLACK+DECKER à l'adresse indiquée dans ce manuel. Vous pourrez aussi trouver une liste des réparateurs agréés de BLACK+DECKER et de plus amples détails sur notre service après-vente sur le site Internet à l'adresse suivante : [www.2helpU.com](http://www.2helpU.com)

## Garantie

BLACK+DECKER vous assure la qualité de ses produits et vous offre une garantie très étendue. Ce certificat de garantie est un document supplémentaire et ne peut en aucun cas se substituer à vos droits légaux.

Si un produit BLACK+DECKER s'avère défectueux en raison de matériaux en mauvais état, d'une erreur humaine, ou d'un manque de conformité dans les 24 mois suivant la date d'achat, BLACK+DECKER garantit le remplacement des pièces défectueuses, la réparation des produits usés ou cassés ou remplace ces produits à la convenance du client, sauf dans les circonstances suivantes :

- Le produit a été utilisé dans un but commercial, professionnel, ou a été loué.
- Le produit a été mal utilisé ou avec négligence.
- Le produit a subi des dommages à cause de corps étrangers, de substances ou d'accidents.
- Des réparations ont été tentées par des techniciens ne faisant pas partie du service technique de BLACK+DECKER.

Pour avoir recours à la garantie, il est nécessaire de fournir une preuve d'achat au vendeur ou à un réparateur agréé. Pour connaître l'adresse du réparateur agréé le plus proche de chez vous, contactez le bureau BLACK+DECKER à l'adresse indiquée dans ce manuel. Vous pourrez aussi trouver une liste de réparateurs agréés de BLACK+DECKER et de plus amples détails sur notre service après-vente sur le site Internet à l'adresse suivante : [www.2helpU.com](http://www.2helpU.com)

## Utilização

O berbequim/aparafusador sem fio da BLACK+DECKER foi projectado para aparafusar e perfurar madeira, metal, plástico e alvenaria. Esta ferramenta destina-se apenas ao doméstico.

## Instruções de segurança

### Avisos de segurança gerais para ferramentas eléctricas



**Advertência! Leia todos os avisos de segurança e instruções.** O não cumprimento dos avisos e instruções a seguir pode resultar em choque eléctrico, incêndio e/ou graves lesões.

**Guarde todos os avisos e instruções para futura referência.** O termo "ferramenta eléctrica", utilizado nas advertências que se seguem, refere-se a ferramentas eléctricas com ligação à corrente eléctrica (com fios) ou operadas a pilha (sem fios).

#### 1. Segurança na área de trabalho

**a. Mantenha a sua área de trabalho limpa e bem iluminada.** Desordem ou áreas de trabalho com fraca iluminação podem causar acidentes.

**b. Não utilize ferramentas eléctricas em áreas com risco de explosão, nas quais se encontrem líquidos, gases ou pós inflamáveis.** As ferramentas eléctricas produzem faíscas que podem provocar a ignição de pó e vapores.

**c. Mantenha crianças e outras pessoas afastadas durante a utilização de ferramentas eléctricas.** As distrações podem dar origem a que perca o controlo da ferramenta.

#### 2. Segurança eléctrica

**a. A ficha da ferramenta eléctrica deve caber na tomada. A ficha não deve ser modificada de modo algum. Não utilize quaisquer fichas de adaptação com ferramentas eléctricas ligadas à terra.** Fichas inalteradas e tomadas adequadas reduzem o risco de choques eléctricos.

**b. Evite que o corpo entre em contacto com superfícies ligadas à terra, como**

**por exemplo tubos, radiadores, fogões e frigoríficos.** Há um risco elevado de choques eléctricos, caso o corpo seja ligado à terra.

**c. As ferramentas eléctricas não devem ser expostas à chuva nem a humidade.** A penetração de água numa ferramenta eléctrica aumenta o risco de choques eléctricos.

**d. Manuseie o cabo com cuidado. O cabo da ferramenta não deve ser utilizado para o transporte, para puxar a ferramenta, nem para retirar a ficha da tomada. Mantenha o cabo afastado de calor, óleo, cantos afiados ou peças em movimento.** Cabos danificados ou torcidos aumentam o risco de choques eléctricos.

**e. Ao trabalhar com a ferramenta eléctrica ao ar livre, use um cabo de extensão apropriado para utilização no exterior.** O uso de um cabo apropriado para utilização no exterior reduz o risco de choques eléctricos.

**f. Quando a utilização de uma ferramenta eléctrica num local húmido é inevitável, utilize uma fonte de alimentação protegida com um dispositivo de corrente residual (RCD).** A utilização de um RCD reduz o risco de choques eléctricos.

#### 3. Segurança pessoal

**a. Mantenha-se atento, observe o que está a fazer e seja prudente durante a utilização de uma ferramenta eléctrica. Não use a ferramenta eléctrica se estiver cansado ou sob a influência de drogas, álcool ou medicamentos.** Um momento de falta de atenção durante a utilização de ferramentas eléctricas pode causar graves lesões.

**b. Use equipamento de protecção pessoal. Utilize sempre óculos de protecção.** A utilização de equipamento de protecção pessoal, como por exemplo, máscara de protecção contra pó, sapatos de segurança anti-derrapantes, capacete de segurança ou protecção auricular, de acordo com o tipo e aplicação da ferramenta eléctrica, reduz o risco de lesões.



- c. Evite o accionamento involuntário. Certifique-se de que o interruptor está na posição desligada antes de ligar a ferramenta à corrente eléctrica ou a uma bateria, antes de elevar ou transportar a mesma.** O transporte de ferramentas eléctricas com o dedo no interruptor ou a ligação das mesmas à corrente eléctrica com o interruptor ligado provoca acidentes.
- d. Retire eventuais chaves de ajuste ou chaves de fenda, antes de ligar a ferramenta eléctrica.** Uma chave de fenda ou chave de ajuste, que se encontre numa peça móvel da ferramenta, pode dar origem a lesões.
- e. Não se incline. Mantenha-se sempre bem posicionado e em equilíbrio.** Desta forma, poderá ser mais fácil controlar a ferramenta em situações inesperadas.
- f. Utilize vestuário adequado. Não utilize roupas largas nem jóias. Mantenha o cabelo, roupa e luvas afastados de peças em movimento.** Roupas largas, jóias ou cabelos longos podem ser ficar presos nas peças em movimento.
- g. Se for prevista a montagem de dispositivos de extracção e recolha de pó, assegure-se de que estão ligados e que são utilizados de forma correcta.** A utilização destes dispositivos reduz os riscos provocados por pó.
- 4. Utilização e manutenção da ferramenta eléctrica**
- a. Não sobrecarregue a ferramenta eléctrica. Utilize a ferramenta eléctrica correcta para o trabalho que irá realizar.** A ferramenta correcta realizará o trabalho de forma melhor e mais segura dentro da potência indicada.
- b. Não utilize a ferramenta eléctrica se o interruptor não puder ser ligado nem desligado.** Qualquer ferramenta eléctrica que não possa ser controlada através do interruptor é perigosa e deve ser reparada.
- c. Desligue a ficha da tomada e/ou a bateria da ferramenta eléctrica antes de efectuar quaisquer ajustes, substituir acessórios ou armazenar a ferramenta eléctrica.** Esta medida de segurança evita que a ferramenta eléctrica seja ligada acidentalmente.
- d. Mantenha as ferramentas eléctricas que não estiverem a ser utilizadas fora do alcance de crianças. Não permita que a ferramenta seja utilizada por pessoas não familiarizadas com a mesma ou que não tenham lido estas instruções.** As ferramentas eléctricas são perigosas se utilizadas por pessoas não qualificadas.
- e. Efectue a manutenção das ferramentas eléctricas. Verifique se as peças móveis funcionam perfeitamente e não emperram, bem como se há peças quebradas ou danificadas que possam influenciar o funcionamento da ferramenta. Em caso de danos, solicite a reparação da ferramenta eléctrica antes da sua utilização.** Muitos acidentes têm como causa uma manutenção insuficiente das ferramentas eléctricas.
- f. Mantenha as ferramentas de corte sempre afiadas e limpas.** As ferramentas de corte, sujeitas a uma manutenção adequada e com extremidades de corte afiadas, emperram com menos frequência e podem ser controladas com maior facilidade.
- g. Utilize a ferramenta eléctrica, os acessórios e as brocas da ferramenta etc., de acordo com estas instruções. Considere também as condições de trabalho e o trabalho a ser efectuado.** A utilização da ferramenta eléctrica para outros fins que não os previstos pode resultar em situações perigosas.
- 5. Utilização e manutenção da bateria**
- a. Recarregue apenas com o carregador especificado pelo fabricante.** Um carregador que seja adequado a um tipo de bateria pode causar risco de incêndio quando utilizado noutra tipo de bateria.
- b. Utilize as ferramentas eléctricas apenas com as baterias especificamente designadas.** A utilização de outro tipo de bateria pode causar risco de lesões ou incêndio.

- c. **Quando a bateria não está a ser utilizada, mantenha-a afastada de quaisquer outros objectos metálicos, como clips de papel, moedas, chaves, pregos, parafusos ou outros objectos metálicos pequenos que possam efectuar a ligação de um terminal para outro.** O contacto de ambos os terminais da bateria pode causar queimaduras ou incêndio.
- d. **Em condições abusivas, o líquido pode ser ejectado da pila; evite o contacto. Caso isso aconteça, passe por água. Caso o líquido entre em contacto com os olhos, procure ajuda médica.** O líquido ejectado da pilha pode causar irritação ou queimaduras.
- 6. Reparação**
- a. **A sua ferramenta eléctrica só deve ser reparada por pessoal qualificado e só devem ser colocadas peças sobressalentes originais.** Desta forma, é assegurada a segurança da ferramenta eléctrica.

## Avisos de segurança adicionais para ferramentas eléctricas



**Advertência!** Instruções adicionais de segurança para berbequins e berbequins de percussão

- **Utilize protectores auriculares com os berbequins de percussão.** A exposição ao ruído poderá provocar perda de audição.
- **Utilize os punhos auxiliares fornecidos com a ferramenta.** A perda de controlo da mesma pode provocar ferimentos pessoais.
- **Segure sempre a ferramenta pelas superfícies de pega isoladas ao efectuar trabalhos, durante os quais o acessório de corte possa entrar em contacto com cabos eléctricos escondidos ou com o cabo da ferramenta.** O contacto do acessório de corte com um cabo com tensão coloca as partes metálicas da ferramenta eléctrica sob tensão, resultando em choque eléctrico.

- **Utilize grampos ou outra forma prática de fixar e apoiar a peça de trabalho numa plataforma estável.** Segurar a peça com a mão ou contra o corpo deixa-a instável e poderá resultar em perda de controlo.
- Antes de perfurar paredes, pisos ou tectos, verifique a localização de fios e canos.
- Evite tocar na ponta da broca imediatamente após perfurar, pois esta pode estar quente.
- Esta ferramenta não se destina a ser utilizada por pessoas (incluindo crianças) com reduzidas capacidades físicas, sensoriais ou mentais ou falta de experiência e conhecimentos, a menos que tenham recebido instruções ou sejam supervisionadas relativamente à utilização do aparelho por uma pessoa responsável pela sua segurança. As crianças deverão ser vigiadas para que não mexam no aparelho.
- Neste manual indicam-se as aplicações do acessório. O uso de qualquer acessório ou da própria ferramenta para realizar quaisquer operações além das recomendadas neste manual de instruções pode dar origem a ferimentos e/ou danos em propriedade.

## Vibração

Os valores de emissão de vibrações declarados, indicados nos dados técnicos e na declaração de conformidade, foram medidos de acordo com um método de teste padrão providenciado por EN 60745 e podem ser utilizados para efectuar a comparação entre ferramentas. O valor de emissão de vibrações declarado pode também ser utilizado numa avaliação preliminar da exposição.

**Advertência!** O valor de emissão de vibrações durante a utilização da ferramenta eléctrica pode divergir do valor declarado, dependendo do modo como a ferramenta é utilizada. O nível de vibrações pode aumentar relativamente ao nível indicado.

Durante a avaliação da exposição a fim de determinar as medidas de segurança requeridas pela directiva 2002/44/CE para a protecção de pessoas que utilizam regularmente ferramentas eléctricas nas respectivas profissões, o cálculo da exposição a vibrações deve considerar as condições reais de utilização e a forma como a ferramenta é utilizada, incluindo a consideração de todas as partes do ciclo de utilização como, por exemplo, as vezes que a ferramenta é desligada e o tempo em que se encontra a funcionar sem carga para além do tempo de accionamento.

## Etiquetas da ferramenta

Aparecem os seguintes pictogramas na ferramenta:



**Advertência!** Para reduzir o risco de ferimentos, o utilizador deve ler o manual de instruções.

## Instruções adicionais de segurança para baterias e carregadores

### Baterias

- Nunca tente abrir a bateria seja qual for a razão.
- Não deixe que a bateria entre em contacto com a água.
- Não armazene em locais onde a temperatura possa exceder 40 °C.
- Carregue somente à temperatura ambiente, entre 10 °C e 40 °C.
- Carregue somente utilizando o carregador fornecido com a ferramenta.
- Siga as instruções fornecidas na secção "Protecção do meio ambiente" quando desejar desfazer-se das baterias.



Não tente carregar baterias danificadas.

### Carregadores

- Utilize o seu carregador BLACK+DECKER apenas para carregar as baterias do tipo fornecido com a sua ferramenta. Outras baterias poderiam explodir, causando ferimentos pessoais e estragos.
- Nunca tente carregar baterias não

recarregáveis.

- Substitua os cabos defeituosos imediatamente.
- Não deixe que o carregador entre em contacto com a água.
- Não abra o carregador.
- Não submeta o carregador a testes.



O carregador destina-se apenas a ser utilizado no interior.



Leia o manual de instruções antes de utilizar.



O carregador desliga-se automaticamente se a temperatura ambiente se tornar demasiado elevada. O corte térmico só funciona uma vez e, em seguida, requer substituição completa.

## Segurança eléctrica



O seu carregador está duplamente isolado, pelo que não é necessário fio de terra. Verifique sempre se a tensão eléctrica corresponde à indicada na placa de especificações. Nunca tente substituir o carregador por uma tomada normal.

- Se o cabo de alimentação estiver danificado, deverá ser substituído pelo fabricante ou por um Centro de Assistência autorizado pela BLACK+DECKER, de modo a evitar perigos.

## Características

Esta ferramenta inclui algumas ou todas as seguintes características.

1. Interruptor de velocidade variável
2. Selector de sentido de rotação
3. Selector de modo / anel de ajuste do binário de aperto
4. Bucha
5. Selector de velocidade
6. Suporte de pontas
7. Bateria

**Fig. A**

8. Ficha do carregador
9. Carregador
10. Receptáculo do carregador

**Montagem**

**Advertência!** Antes da montagem, retire a bateria.

**Colocação e remoção da bateria (fig. B & C)**

- Para colocar a bateria (7), alinhe-a com o respectivo receptáculo na ferramenta. Empurre a bateria em direcção ao respectivo receptáculo até encaixar.
- Para retirá-la, prima o botão de libertação (11) e puxe a bateria para fora do respectivo receptáculo.

**Instalação da cobertura da bateria (fig. C)**

**Advertência!** Coloque a cobertura (12) na bateria (7) para transporte e armazenamento.

**Colocação e remoção de uma broca ou ponta de aparafusar (fig. D)**

A ferramenta está equipada com uma bucha sem chave para permitir a troca fácil das brocas.

- Trave a ferramenta colocando o selector de reversibilidade (2) na posição central.
- Abra a bucha girando a parte frontal (13) com uma mão enquanto segura a parte traseira (14) com a outra.
- Introduza a broca (15) na bucha e aperte-a firmemente.

Esta ferramenta é fornecida com uma ponta de aparafusar dupla no suporte de pontas (6).

- Para remover a ponta de aparafusar do compartimento de broca, puxe-a.
- Para guardar a ponta de aparafusar, empurre-a firmemente no compartimento.

**Remoção e colocação da bucha (fig. E)**

- Abra a bucha o mais possível.

- Remova o parafuso de fixação da bucha girando-o para a direita utilizando uma chave de fendas.
- Insira uma chave Allen na bucha e bata com um martelo como se indica.
- Remova a chave Allen.
- Remova a bucha rodando-a para a esquerda.
- Para voltar a colocar a bucha, aperte-a no veio e fixe-a com o respectivo parafuso de fixação.

**Riscos residuais**

Podem surgir riscos residuais adicionais durante a utilização da ferramenta que poderão não constar nos avisos de segurança incluídos. Estes riscos podem resultar de má utilização, uso prolongado, etc.

Mesmo com a aplicação dos regulamentos de segurança relevantes e com a implementação de dispositivos de segurança, alguns riscos residuais não podem ser evitados. Incluem:

- ferimentos causados pelo contacto com peças em rotação/movimento.
- ferimentos causados durante a troca de peças, lâminas ou acessórios.
- ferimentos causados pela utilização prolongada de uma ferramenta. Quando utilizar uma ferramenta por períodos prolongados, faça intervalos regulares.
- diminuição da audição.
- problemas de saúde causados pela inalação de poeiras resultantes da utilização da ferramenta (exemplo: trabalhos em madeira, especialmente carvalho, faia e MDF.)

**Utilização**

**Advertência!** Deixe que a ferramenta funcione à vontade. Não o sobrecarregue.

**Advertência!** Antes de perfurar paredes, pisos ou tectos, verifique a localização de fios e canos.

**Carregar a bateria (fig. A & F)**

A bateria precisa ser carregada antes da primeira utilização e sempre que falhe em produzir potência suficiente para realizar trabalhos que antes eram facilmente realizados. Quando estiver a carregar a bateria pela primeira vez, ou após armazenamento prolongado, ela aceitará somente 80% da carga. Após vários ciclos de carga e descarga, a bateria atingirá sua capacidade total. A bateria pode ficar quente enquanto estiver a carregar; isto é normal e não indica um problema.

**Advertência!** Não carregue a bateria a temperaturas ambientes inferiores a 10 °C ou superiores a 40 °C. A temperatura recomendada para carregar é de aproximadamente 24 °C.

**Utilização do carregador**

- Para carregar a bateria (7), remova-a da ferramenta e insira-a no receptáculo do carregador (10) na bateria.
- Ligue o carregador (9).

A bateria aquece durante o processo de carga. Após 3 horas de carregamento, a bateria deverá estar recarregada e pronta a utilizar nas suas aplicações regulares. Após aproximadamente 8-10 horas de carga, a bateria estará completamente carregada.

- Retire o receptáculo do carregador da bateria.

**Carregador com ficha**

- Para carregar a bateria, certifique-se de que está colocada no berbequim.
- Insira a ficha do carregador (8) no conector.
- Ligue o carregador à corrente eléctrica.
- Ligue-o no interruptor.

Após o uso normal, 3 horas de carregamento serão suficientes para fornecer energia para a maioria das aplicações. Entretanto, um tempo de carregamento estendido até 6 horas poderá

umentar significativamente o tempo de uso, em dependência do estado da bateria e das condições de carregamento.

- Desligue a ferramenta do carregador.

**Advertência!** Não utilize a ferramenta enquanto ela estiver ligada ao carregador.


**Seleção da direcção de rotação (fig. G)**

Para perfurar e apertar parafusos, utilize a rotação "avançar" (para a direita). Para soltar parafusos ou remover uma broca presa, utilize a rotação "inverter" (para a esquerda).

- Para seleccionar a rotação de avanço, empurre o selector de reversibilidade (2) para a esquerda.
- Para seleccionar a rotação inversa, empurre o selector para a direita.
- Para travar a ferramenta, coloque o selector na posição central.

**Seleção do modo de operação ou par de aperto (fig. H)**

Esta ferramenta está equipada com um anel de ajuste do par de aperto para apertar parafusos. Parafusos grandes e materiais duros requerem um maior aperto que parafusos pequenos e materiais mais moles. O anel dispõe de uma ampla variedade de ajustes com o fim de que a ferramenta se adapte a cada aplicação.

- Para perfurar madeira, metal e plástico, ajuste o anel (3) à posição de perfuração alinhando o símbolo  com a marca (16).
- Para aparafusar, ajuste o anel à posição desejada. Se não souber qual é a posição apropriada, proceda da seguinte maneira:
  - Ajuste o anel (3) ao menor par de aperto.
  - Aperte o primeiro parafuso.
  - Se a bucha breca antes que o resultado seja conseguido, aumente o ajuste e continue a apertar o parafuso. Repita esta operação até atingir o ajuste correcto. Utilize este ajuste para o resto dos parafusos.

### Perfuração em alvenaria (fig. H & I)

- Para perfurar em alvenaria, ajuste o anel (3) à posição de perfuração de impacto alinhando o símbolo **T** com a marca (16).
- Empurre o selector de velocidade (5) em direcção à parte frontal da ferramenta (segundo motor).

### Selector de velocidade (fig. I)

- Para perfurar em aço e aparafusar, empurre o selector de velocidade (5) em direcção à parte traseira da ferramenta (primeiro motor).
- Para perfurar em aço e aparafusar, empurre o selector de velocidade (5) em direcção à parte frontal da ferramenta (segundo motor).

### Perfurar/aparafusar

- Selecciona rotação de avanço ou recuo utilizando o selector de sentido de rotação (2).
- Para ligar a ferramenta, prima o interruptor (1). A velocidade da ferramenta depende de quanto se prime o interruptor.
- Para desligar a ferramenta, solte o selector.

### Sugestões para uma melhor utilização

#### Perfurar

- Aplique sempre uma leve pressão em linha recta com a broca.
- Um pouco antes de a broca atravessar a peça de trabalho, diminua a pressão sobre a ferramenta.
- Utilize uma peça de madeira como suporte para peças de trabalho que possam lascar.
- Utilize brocas puas quando perfurar orifícios de grande diâmetro em madeira.
- Utilize brocas de alta dureza quando perfurar em metal.
- Utilize brocas de pedra quando perfurar em alvenaria.
- Utilize um lubrificante quando perfurar em metais que não sejam ferro fundido e latão.

- Para um orifício mais preciso, marque o centro do orifício a executar utilizando um furador.

### Aparafusar

- Utilize sempre o tipo e tamanho correcto de ponta de aparafusar.
- Se os parafusos forem difíceis de apertar, tente aplicar uma pequena quantidade de detergente ou sabão como lubrificante.
- Segure sempre a ferramenta e a ponta de aparafusar em linha recta com o parafuso.

### Manutenção

Esta ferramenta BLACK+DECKER foi desenvolvida para funcionar por um longo período, com um mínimo de manutenção. O funcionamento contínuo e satisfatório depende da limpeza regular e cuidado adequado da ferramenta.

O seu carregador não requer qualquer manutenção além de sua limpeza regular.

**Advertência!** Antes de executar qualquer manutenção na ferramenta, remova a bateria da ferramenta. Desligue o carregador de bateria antes de limpar o aparelho.

- Limpe regularmente as fendas de ventilação na ferramenta e no carregador utilizando uma escova macia ou pano seco.
- Limpe regularmente o compartimento do motor utilizando um pano húmido. Não utilize nenhum limpador abrasivo ou de base solvente.
- Abra regularmente o mandril e bata nele para remover qualquer poeira do interior.

### Baterias



As baterias BLACK+DECKER podem ser recarregadas inúmeras vezes. Quando atingirem o fim das suas vidas úteis, deite-as fora com o devido cuidado com o nosso meio ambiente.

- Descarregue completamente a bateria e remova-a do aparelho.
- As baterias NiCd, NiMH e Li-Ion são recicláveis. Entregue-as em qualquer agente de reparação autorizado ou numa estação de reciclagem local.

**Dados técnicos**

		EPC126 (H1)	EPC146 (H1)	EPC186 (H1)
Voltagem	$V_{DC}$	12	14.4	18
sem carga	$\text{min}^{-1}$	0-450/ 0-1400	0-450/ 0-1500	0-400/ 0-1350
Binário máximo	Nm	18	20	25
Capacidade da bucha	mm	10	10	10
Capacidade máx. de perfuração				
aço/madeira	mm	10/25	10/25	10/25

<b>Bateria</b>		A12/A12E	A14/A14E	A18/A18E
Capacidade	Ah	1.0	1.0	1.0
Tipo de bateria		NiCd	NiCd	NiCd
Peso	kg	0.5	0.6	0.7

<b>Bateria</b>		A12NH	A14NH	A18NH
Capacidade	Ah	1.5	1.5	1.5
Tipo de bateria		NiMH	NiMH	NiMH
Peso	kg	0.6	0.7	0.9

**Carregador**

		90500843	90500844	90500845
		90500847	90500848	90500849
		90500855	90500856	90500857
		90500858	90500859	90500860
Voltagem	$V_{AC}$	230-240	230-240	230-240
Voltagem de saída	$V_{DC}$	14.5-15.3	17.4-18.2	21.75-22.6
Amperagem	mA	210-220	200-210	210-230
Tempo aproximado				
decarregamento	h	8-10	8-10	8-10

		EPC128 (H1)	EPC148 (H1)	EPC188 (H1)
Voltagem	$V_{DC}$	12	14.4	18
sem carga	$\text{min}^{-1}$	0-450/ 0-1400	0-450/ 0-1500	0-400/ 0-1350
Binário máximo	Nm	18	22	25
Capacidade da bucha	mm	10	10	10
Capacidade máx. de perfuração				
aço/madeira	mm	10/25	10/25	10/25
alvenaria	mm	10	10	10

<b>Bateria</b>		A12/A12E	A14/A14E	A18/A18E
Capacidade	Ah	1.0	1.0	1.0
Tipo de bateria		NiCd	NiCd	NiCd
Peso	kg	0.5	0.6	0.7

<b>Bateria</b>		A12NH	A14NH	A18NH
Capacidade	Ah	1.5	1.5	1.5
Tipo de bateria		NiMH	NiMH	NiMH
Peso	kg	0.6	0.7	0.9

**Carregador**

		90500843	90500844	90500845
		90500847	90500848	90500849
		90500855	90500856	90500857
		90500858	90500859	90500860
Voltagem	$V_{AC}$	230-240	230-240	230-240
Voltagem de saída	$V_{DC}$	14.5-15.3	17.4-18.2	21.75-22.6
Amperagem	mA	210-220	200-210	210-230
Tempo aproximado				
decarregamento	h	8-10	8-10	8-10

**Nível de pressão acústica segundo a EN 60745:**

Pressão acústica ( $L_{pA}$ )	87 dB(A), imprecisão (K) 3 dB(A)
Potência acústica ( $L_{WA}$ )	98 dB(A), imprecisão (K) 3 dB(A)

**Valores totais de vibração (soma vectorial triaxial) segundo a EN 60745:**

Perfuração de percussão em betão ( $a_{h, ID}$ )	11.4 $\text{m/s}^2$ , imprecisão (K) 1.5 $\text{m/s}^2$
Perfuração em metal ( $a_{h, D}$ )	<2.5 $\text{m/s}^2$ , imprecisão (K) 1.5 $\text{m/s}^2$
Operação de aparafusar e desaparafusar sem impacto ( $a_{h, S}$ )	<2.5 $\text{m/s}^2$ , imprecisão (K) 1.5 $\text{m/s}^2$

**Declaração de conformidade CE**

DIRECTIVA MÁQUINAS


**EPC126/EPC146/EPC186**  
**EPC148/EPC148/EPC188**

A BLACK+DECKER declara que os produtos descritos na secção "dados técnicos" se encontram em conformidade com: 2006/42/CE, EN 60745-1, EN 60745-2-1

Para obter mais informações, queira contactar a BLACK+DECKER através do endereço que se segue ou indicado no verso do manual.

O signatário é responsável pela compilação do ficheiro técnico e apresenta esta declaração em nome da BLACK+DECKER.

**Kevin Hewitt**

Vice-presidente do Departamento de Engenharia Global  
 BLACK+DECKER Europe, 210 Bath Road,  
 Slough,  
 Berkshire, SL1 3YD  
 Reino Unido  
 09.2015

**Proteger o ambiente**

Recolha separada. Este produto não deve ser eliminado juntamente com os resíduos domésticos normais.

Se algum dia necessitar de substituir o seu produto BLACK+DECKER ou se já não o voltar a utilizar, não o elimine juntamente com os outros resíduos domésticos. Disponibilize este produto para recolha separada.



A recolha separada de produtos usados e embalagens permite que os materiais sejam reciclados e

utilizados novamente. A reutilização de materiais reciclados ajuda a prevenir a poluição ambiental e reduz a procura de matérias-primas.

As normas locais podem fornecer a recolha separada de produtos elétricos a nível doméstico, locais de resíduos urbanos ou pelo revendedor onde adquiriu um produto novo.

A BLACK+DECKER providencia uma unidade para a recolha e reciclagem de produtos BLACK+DECKER uma vez que tenham alcançado o fim da sua vida útil. Para beneficiar deste serviço, devolva o seu produto a qualquer agente reparador autorizado, que fará a recolha em nosso favor.

Pode verificar a localização do seu agente reparador mais próximo, contactando o seu escritório local BLACK+DECKER através do endereço indicado neste manual. Como alternativa, está disponível na Internet uma lista de agentes reparadores autorizados da BLACK+DECKER e dados completos do serviço de pós-venda e contactos em: [www.2helpU.com](http://www.2helpU.com).



## Garantia

A Black + Decker está confiante da qualidade de seus produtos e oferece uma garantia excelente. Esta declaração de garantia está em adição e em nada prejudica os seus direitos estatutários. A garantia é válida nos territórios dos Estados-Membros da União Europeia e da Zona Europeia de Comércio Livre.

Se um produto Black + Decker apresenta algum defeito devido a falhas de material, mão de obra ou falta de conformidade, no prazo de 24 meses a partir da data da compra, a BLACK+DECKER garante a substituição das peças defeituosas, produtos de reparação sujeitos a uso e desgaste regular ou substituição de tais produtos para se certificar do mínimo de inconveniência ao cliente a menos que:

- O produto tenha sido utilizado para fins comerciais, profissionais ou contratação.
- O produto tenha sido submetido a utilização inadequada ou negligência.
- O produto tenha sofrido danos causados por objetos estranhos, substâncias ou acidentes.
- As reparações foram efetuadas por terceiros e não por agentes autorizados ou pelo pessoal de serviço Black + Decker.

Para ativar a garantia, terá que apresentar o comprovativo de compra ao vendedor ou a um agente técnico autorizado. Pode verificar a localização do seu agente reparador autorizado mais próximo, contactando o seu escritório local BLACK+DECKER através do endereço indicado neste manual. Como alternativa, está disponível na Internet uma lista de agentes reparadores autorizados BLACK+DECKER, dados completos do serviço de pós-venda e contactos em: [www.2helpU.com](http://www.2helpU.com)

## Назначение

Ваша аккумуляторная дрель/шуруповерт BLACK+DECKER предназначена для сверления отверстий и заворачивания саморезов в древесине, металле, пластмассе и легком бетоне. Данный инструмент предназначен только для использования в домашних условиях.

## Инструкции по технике

### безопасности

Общие правила безопасности при работе с электроинструментами



**Внимание! Внимательно прочтите все инструкции по безопасности и руководство по эксплуатации.**

Несоблюдение всех перечисленных ниже правил безопасности и инструкций может привести к поражению электрическим током, возникновению пожара и/или получению тяжелой травмы.

Сохраните все инструкции по безопасности и руководство по эксплуатации для их дальнейшего использования. Термин «Электроинструмент» во всех приведенных ниже указаниях относится к Вашему сетевому (с кабелем) электроинструменту или аккумуляторному (беспроводному) электроинструменту.

#### 1. Безопасность рабочего места

**a. Содержите рабочее место в чистоте и обеспечьте хорошее освещение.** Плохое освещение или беспорядок на рабочем месте может привести к несчастному случаю.

**b. Не используйте электроинструменты, если есть опасность возгорания или взрыва, например, вблизи легко воспламеняющихся жидкостей, газов или пыли.** В процессе работы электроинструмент создает искровые разряды, которые могут воспалить пыль или горючие пары.

**c. Во время работы с электроинструментом не подпускайте близко детей или посторонних лиц.** Отвлечение внимания может вызвать у Вас потерю контроля над рабочим процессом.

#### 2. Электробезопасность

**a. Вилка кабеля электроинструмента должна соответствовать штепсельной розетке. Ни в коем случае не видоизменяйте вилку электрического**

**кабеля. Не используйте соединительные штепсели-переходники, если в силовом кабеле электроинструмента есть провод заземления.** Использование оригинальной вилки кабеля и соответствующей ей штепсельной розетки уменьшает риск поражения электрическим током.

**b. Во время работы с электроинструментом избегайте физического контакта с заземленными объектами, такими как трубопроводы, радиаторы отопления, электроплиты и холодильники.** Риск поражения электрическим током увеличивается, если Ваше тело заземлено.

**c. Не используйте электроинструмент под дождем или во влажной среде.** Попадание воды в электроинструмент увеличивает риск поражения электрическим током.

**d. Бережно обращайтесь с электрическим кабелем. Ни в коем случае не используйте кабель для переноски электроинструмента или для вытягивания его вилки из штепсельной розетки. Не подвергайте электрический кабель воздействию высоких температур и смазочных веществ; держите его в стороне от острых кромок и движущихся частей электроинструмента.** Поврежденный или запутанный кабель увеличивает риск поражения электрическим током.

**e. При работе с электроинструментом на открытом воздухе используйте удлинительный кабель, предназначенный для наружных работ.** Использование кабеля, пригодного для работы на открытом воздухе, снижает риск поражения электрическим током.

**f. При необходимости работы с электроинструментом во влажной среде используйте источник питания, оборудованный устройством защитного отключения (УЗО).** Использование УЗО снижает риск поражения электрическим током.

#### 3. Личная безопасность

**a. При работе с электроинструментами будьте внимательны, следите за тем, что Вы делаете, и руководствуйтесь здравым смыслом. Не используйте электроинструмент, если Вы устали, а также находясь под действием алкоголя или понижающих реакцию лекарственных препаратов и других средств.** Малейшая неосторожность при работе с электроинструментами может привести к серьезной травме.

- b. При работе используйте средства индивидуальной защиты. Всегда надевайте защитные очки. Своевременное использование защитного снаряжения, а именно: пылезащитной маски, ботинок на нескользящей подошве, защитного шлема или противозвонных наушников, значительно снизит риск получения травмы.
- c. Не допускайте непреднамеренного запуска. Перед тем, как подключить электроинструмент к сети и/или аккумулятору, поднять или перенести его, убедитесь, что выключатель находится в положении «выключено». Не переносите электроинструмент с нажатой кнопкой выключателя и не подключайте к сетевой розетке электроинструмент, выключатель которого установлен в положение «включено», это может привести к несчастному случаю.
- d. Перед включением электроинструмента снимите с него все регулировочные или гаечные ключи. Регулировочный или гаечный ключ, оставленный закрепленным на вращающейся части электроинструмента, может стать причиной тяжелой травмы.
- e. Работайте в устойчивой позе. Всегда твердо стойте на ногах, сохраняя равновесие. Это позволит Вам не потерять контроль при работе с электроинструментом в непредвиденной ситуации.
- f. Одевайтесь соответствующим образом. Во время работы не надевайте свободную одежду или украшения. Следите за тем, чтобы Ваши волосы, одежда или перчатки находились в постоянном отдалении от движущихся частей инструмента. Свободная одежда, украшения или длинные волосы могут попасть в движущиеся части инструмента.
- g. Если электроинструмент снабжен устройством сбора и удаления пыли, убедитесь, что данное устройство подключено и используется надлежащим образом. Использование устройства пылеудаления значительно снижает риск возникновения несчастного случая, связанного с запыленностью рабочего пространства.
4. Использование электроинструментов и технический уход
- a. Не перегружайте электроинструмент. Используйте Ваш инструмент по назначению. Электроинструмент работает надежно и безопасно только при соблюдении параметров, указанных в его технических характеристиках.
- b. Не используйте электроинструмент, если его выключатель не устанавливается в положение включения или выключения. Электроинструмент с неисправным выключателем представляет опасность и подлежит ремонту.
- c. Отключайте электроинструмент от сетевой розетки и/или извлекайте аккумулятор перед регулированием, заменой принадлежностей или при хранении электроинструмента. Такие меры предосторожности снижают риск случайного включения электроинструмента.
- d. Храните неиспользуемые электроинструменты в недоступном для детей месте и не позволяйте лицам, не знакомым с электроинструментом или данными инструкциями, работать с электроинструментом. Электроинструменты представляют опасность в руках неопытных пользователей.
- e. Регулярно проверяйте исправность электроинструмента. Проверяйте точность совмещения и легкость перемещения подвижных частей, целостность деталей и любых других элементов электроинструмента, воздействующих на его работу. Не используйте неисправный электроинструмент, пока он не будет полностью отремонтирован. Большинство несчастных случаев являются следствием недостаточного технического ухода за электроинструментом.
- f. Следите за острой заточкой и чистой режущей принадлежностей. Принадлежности с острыми кромками позволяют избежать заклинивания и делают работу менее утомительной.
- g. Используйте электроинструмент, аксессуары и насадки в соответствии с данным Руководством и с учетом рабочих условий и характера будущей работы. Использование электроинструмента не по назначению может создать опасную ситуацию.
5. Использование аккумуляторных инструментов и технический уход
- a. Заряжайте аккумулятор зарядным устройством указанной производителем марки. Зарядное устройство, которое подходит к одному типу аккумуляторов, может создать риск возгорания в случае его использования с аккумуляторами другого типа.
- b. Используйте электроинструменты только с предназначенными для них аккумуляторами. Использование аккумулятора какой-либо другой марки может привести к возникновению пожара и получению травмы.

- c. Держите не используемый аккумулятор подальше от металлических предметов, таких как скрепки, монеты, ключи, гвозди, шурупы, и других мелких металлических предметов, которые могут замкнуть контакты аккумулятора. Короткое замыкание контактов аккумулятора может привести к получению ожогов или возникновению пожара.
- d. В критических ситуациях из аккумулятора может вытечь жидкость (электролит); избегайте контакта с кожей. Если жидкость попала на кожу, смойте ее водой. Если жидкость попала в глаза, обращайтесь за медицинской помощью. Жидкость, вытекшая из аккумулятора, может вызвать раздражение или ожоги.
6. Техническое обслуживание
- a. Ремонт Вашего электроинструмента должен производиться только квалифицированными специалистами с использованием идентичных запасных частей. Это обеспечит безопасность Вашего электроинструмента в дальнейшей эксплуатации.

ТОКОМ.

- Используйте струбцины или другие приспособления для фиксации обрабатываемой детали, устанавливая их только на неподвижной поверхности. Если держать обрабатываемую деталь руками или с упором в собственное тело, то можно потерять контроль над инструментом или обрабатываемой деталью.
- Прежде чем сверлить отверстия в стенах, полах или потолках, проверьте наличие электропроводки и трубопроводов.
- Не дотрагивайтесь до наконечника сверла сразу же после окончания сверления, так как он может быть горячим.
- Использование инструмента физически или умственно неполноценными людьми, а также детьми и неопытными лицами допускается только под контролем ответственного за их безопасность лица. Не позволяйте детям играть с электроинструментом.
- Назначение инструмента описывается в данном руководстве по эксплуатации. Использование любых принадлежностей или приспособлений, а также выполнение данным инструментом любых видов работ, не рекомендованных данным руководством по эксплуатации, может привести к несчастному случаю и/или повреждению личного имущества.

## Дополнительные меры безопасности при работе с электроинструментами



**Внимание!** Дополнительные меры безопасности при работе дрелями и ударными дрелями

- При работе ударными дрелями всегда надевайте противошумные наушники. Воздействие шума может привести к потере слуха.
- При работе пользуйтесь дополнительными ручьями, прилагающимися к инструменту. Потеря контроля над инструментом может привести к тяжелой травме.
- Держите инструмент за изолированные ручки при выполнении операций, во время которых режущий инструмент может соприкасаться со скрытой проводкой или собственным кабелем. Контакт режущей принадлежности с находящимся под напряжением проводом делает не покрытые изоляцией металлические части электроинструмента «живыми», что создает опасность поражения оператора электрическим током.
- Держите инструмент за изолированные ручки при выполнении операций, во время которых крепежная деталь может соприкасаться со скрытой проводкой. Контакт крепежных элементов с находящимся под напряжением проводом делает не покрытые изоляцией металлические части электроинструмента «живыми», что создает опасность поражения оператора электрическим

## Вибрация

Значения уровня вибрации, указанные в технических характеристиках инструмента и декларации соответствия, были измерены в соответствии со стандартным методом определения вибрационного воздействия согласно EN60745 и могут использоваться при сравнении характеристик различных инструментов. Приведенные значения уровня вибрации могут также использоваться для предварительной оценки величины вибрационного воздействия.

**Внимание!** Значения вибрационного воздействия при работе с электроинструментом зависят от вида работ, выполняемых данным инструментом, и могут отличаться от заявленных значений. Уровень вибрации может превышать заявленное значение.

При оценке степени вибрационного воздействия для определения необходимых защитных мер (2002/44/EC) для людей, использующих в процессе работы электроинструменты, необходимо принимать во внимание действительные условия использования электроинструмента, учитывая все составляющие рабочего цикла, в том числе время, когда инструмент находится в выключенном состоянии, и время, когда он работает без нагрузки, а также время его запуска и отключения.

## Маркировка инструмента

На инструменте имеются следующие знаки:



**Внимание!** Полное ознакомление с руководством по эксплуатации снизит риск получения травмы.

## Дополнительные меры безопасности при работе с аккумуляторами и зарядными устройствами

### Аккумуляторы

- Ни в коем случае не пытайтесь разобрать аккумулятор.
- Не погружайте аккумулятор в воду.
- Не храните в местах, где температура может превысить 40 °С.
- Заряжайте аккумулятор только при температуре окружающей среды в пределах 10°C - 40°C.
- Заряжайте только зарядными устройствами, входящими в комплект поставки электроинструмента.
- Утилизируйте отработанные аккумуляторы, следуя инструкциям раздела «Защита окружающей среды».



Ни в коем случае не пытайтесь заряжать поврежденный аккумулятор!

### Зарядные устройства

- Используйте Ваше зарядное устройство BLACK+DECKER только для зарядки аккумулятора электроинструмента, в комплект поставки которого он входит. Аккумуляторы других марок могут взорваться, что приведет к получению травмы или повреждению электроинструмента.
- Ни в коем случае не пытайтесь зарядить батарейки питания.
- Немедленно заменяйте поврежденный сетевой кабель.
- Не погружайте зарядное устройство в воду.
- Не разбирайте зарядное устройство.
- Не используйте зарядное устройство в качестве объекта для проведения испытаний.



Зарядное устройство предназначено только для использования внутри помещений.



Перед началом работы внимательно прочтите руководство по эксплуатации.



Зарядное устройство автоматически выключается, если температура окружающей среды становится слишком высокой. Термовыключатель срабатывает только один раз, после чего его требуется полностью заменить.

## Электробезопасность



Ваше зарядное устройство защищено двойной изоляцией, исключая потребность в заземляющем проводе. Всегда проверяйте, соответствует ли напряжение, указанное на табличке с техническими параметрами, напряжению электросети. Ни в коем случае не пытайтесь заменить зарядный блок стандартным сетевым штепселем.

- Во избежание несчастного случая, замена поврежденного кабеля питания должна производиться только на заводе-изготовителе или в авторизованном сервисном центре BLACK+DECKER.

## Составные части

Ваш электроинструмент может содержать все или некоторые из перечисленных ниже составных частей:

1. Клавиша пускового выключателя с регулировкой скорости
  2. Переключатель направления вращения (реверса)
  3. Муфта выбора режима работы/установки крутящего момента
  4. Зажимной патрон
  5. Переключатель скоростей
  6. Держатель насадок
  7. Аккумулятор
- Рис. А**
8. Штекер зарядного устройства
  9. Зарядное устройство
  10. Гнездо зарядного устройства

## Сборка

**Внимание!** Перед сборкой извлеките из инструмента аккумулятор.

### Установка и извлечение аккумулятора (Рис. В и С)

- Чтобы вставить аккумулятор (7), совместите его с приёмным гнездом на инструменте. Вдвиньте аккумулятор в приёмное гнездо и нажимайте на него, пока он не зафиксируется на месте.
- Для извлечения аккумулятора нажмите на кнопку фиксатора (11), одновременно вынимая аккумулятор из приёмного гнезда.

### Установка крышки аккумулятора (Рис. С)

**Внимание!** При переноске или хранении аккумулятора (7) всегда устанавливайте крышку (12).

### Установка и снятие сверла или отверточной насадки (Рис. D)

Данный инструмент оснащен быстрозажимным патроном, позволяющим производить смену сверл и отверточных насадок легко и быстро.

- Заблокируйте инструмент, передвинув переключатель реверса (2) в среднее положение.
- Раскройте патрон, одной рукой поворачивая его переднюю часть (13), а другой придерживая заднюю часть (14).
- Вставьте в патрон хвостовик насадки (15) и надежно затяните патрон.

Данная дрель поставляется с двухсторонней отверточной насадкой, находящейся в держателе (6).

- Для извлечения отверточной насадки, вытяните ее из гнезда держателя.
- Для размещения отверточной насадки, вдавите ее в гнездо держателя.

### Снятие и установка зажимного патрона (Рис. E)

- Максимально раскройте зажимной патрон.
- Выньте стопорный винт, открыв его по часовой стрелке с помощью отвертки.
- Зажмите в патроне ключ-шестигранник и ударьте по нему молотком, как показано на рисунке.
- Выньте ключ.
- Снимите зажимной патрон, поворачивая его в направлении против часовой стрелки.
- Чтобы установить патрон, привинтите его на шпindelь и закрепите с помощью стопорного винта.

### Остаточные риски

При работе с данным инструментом возможно возникновение дополнительных остаточных рисков, которые не вошли в описанные здесь правила техники безопасности. Эти риски могут возникнуть при неправильном или продолжительном использовании изделия и т.п.

Несмотря на соблюдение соответствующих инструкций по технике безопасности и использование предохранительных устройств, некоторые остаточные риски невозможно полностью исключить. К ним относятся:

- **Травмы в результате касания вращающихся/двигающихся частей инструмента.**
- **Риск получения травмы во время смены деталей электроинструмента, пильных дисков или насадок.**
- **Риск получения травмы, связанный с продолжительным использованием инструмента. При использовании инструмента в течение продолжительного периода времени делайте регулярные перерывы в работе.**
- **Ухудшение слуха.**
- **Ущерб здоровью в результате вдыхания пыли в процессе работы с электроинструментом (например, при распиле древесины, в особенности, дуба, бука и ДВП.)**

### Эксплуатация

**Внимание!** Не форсируйте рабочий процесс. Избегайте перегрузки электроинструмента.

**Внимание!** Прежде чем сверлить отверстия в стенах, полах или потолках, проверьте наличие электропроводки и трубопроводов.

### Зарядка аккумулятора (Рис. А и F)

Аккумулятор нуждается в зарядке перед первым использованием и если он не обеспечивает достаточную мощность для работ, которые ранее выполнялись легко и быстро. Если аккумулятор заряжается в первый раз или после длительного хранения, его емкость после полной зарядки составит только 80% от номинальной. Аккумулятор достигнет полной емкости только после нескольких циклов зарядки/разрядки. В процессе зарядки аккумулятор может слегка нагреться. Это нормально и не указывает на наличие какой-либо проблемы.

**Внимание!** Не заряжайте аккумулятор при температуре окружающей среды ниже 10 °С или выше 40 °С. Рекомендуемая температура зарядки: приблизительно 24 °С.

### Использование зарядного устройства

- Чтобы зарядить аккумулятор (7), извлеките его из инструмента и надвиньте на него гнездо зарядного устройства (10).
- Подсоедините зарядное устройство (9) к сетевой розетке.

В процессе зарядки аккумулятор нагревается. После приблизительно 3-х часовой зарядки аккумулятора пригоден для нормальной эксплуатации. Приблизительно через 8-10 часов зарядки аккумулятор будет полностью заряжен.

- Снимите гнездо зарядного устройства с аккумулятора.

### Зарядное устройство со штепселем

- Перед зарядкой аккумулятора, убедитесь, что он установлен в дрели.
- Вставьте штепсель (8) зарядного устройства в соединительный разъем.
- Подсоедините зарядное устройство к сетевой розетке.
- Включите электропитание.

Обычно трехчасовой цикл зарядки достаточен для выполнения инструментом большинства видов работ с эффективным уровнем мощности. Однако дальнейшая зарядка до 6 часов может значительно увеличить рабочий цикл в зависимости от типа аккумулятора и уровня заряда.

- Отсоедините инструмент от зарядного устройства.

**Внимание!** Всегда отсоединяйте инструмент от зарядного устройства перед работой.

### Выбор направления вращения (Рис. G)


Выполняйте сверление и заворачивание саморезов, установив направление вращения вперед (по часовой стрелке). Для выкручивания саморезов или извлечения заклинившего сверла, устанавливайте реверс (вращение против часовой стрелки).

- Для установки вращения вперед сдвиньте переключатель направления вращения (2) влево.

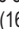
- Для установки реверса сдвиньте переключатель направления вращения вправо.
- Для блокировки электроинструмента, установите переключатель реверса в среднее положение.

### Выбор режима работы или крутящего момента (Рис. H)

Данная дрель оборудована муфтой для установки режима работы и крутящего момента при заворачивании саморезов. Большие шурупы и твердые обрабатываемые заготовки требуют большего крутящего момента, чем маленькие шурупы и заготовки из мягких материалов. Муфта имеет большой диапазон установок, что позволяет с достаточной точностью выбирать необходимый режим работы для каждой отдельной операции.

- Для сверления древесины, металла и пластмасс, установите муфту (3) на позицию сверления, совместив символ с  меткой (16).
- Для заворачивания саморезов, установите муфту в нужное положение. Если Вы еще не достаточно овладели процессом регули-рования, поступайте следующим образом:
  - Установите муфту (3) на позицию минимального крутящего момента.
  - Заверните первый шуруп.
  - Если муфта немедленно пробуксовывает, установите муфту регулировки на большую величину крутящего момента и продолжайте заворачивание. Повторяйте это действие, пока не будет определена правильная величина крутящего момента. Используйте эту величину при заворачивании последующих шурупов.

### Сверление стеновых материалов (Рис. H и I)

- Для сверления стеновых материалов, установите муфту (3) на позицию сверления с ударом, совместив символ  с меткой (16).
- Передвиньте вперед переключатель скоростей (5) (2-я скорость).

### Переключатель скоростей (Рис. I)

- Для сверления стали и заворачивания саморезов передвиньте переключатель скоростей (5) назад (1-я скорость).
- Для сверления прочих материалов, кроме стали, передвиньте переключатель скоростей (5) вперед (2-я скорость).

### Сверление/Заворачивание

- Выберите направление вращения при помощи переключателя (2).
- Чтобы включить инструмент, нажмите на клавишу пускового выключателя (1). Скорость инструмента зависит от глубины нажатия клавиши выключателя.
- Чтобы выключить инструмент, отпустите клавишу пускового выключателя.

### Рекомендации по оптимальному использованию

#### Сверление

- Всегда прикладывайте давление по прямой линии со сверлом.
- На выходе сверла из просверливаемой заготовки, постепенно уменьшайте прилагаемое к сверлу усилие.
- Если заготовка может расколоться, подложите под нее деревянный брусок.
- Для высверливания отверстий крупного диаметра в древесине используйте долотчатые сверла.
- Для сверления в металле используйте сверла из быстрорежущей стали (HSS).
- Для сверления стеновых материалов используйте буры для камня.
- При сверлении металла, кроме чугуна и латуни, используйте смазочно-охлаждающие жидкости.
- Разметьте место сверления с помощью кернера, чтобы гарантировать точность расположения отверстия.

#### Заворачивание

- Всегда используйте отверточную насадку соответствующего типа и размера.
- Если шурупы заворачиваются с трудом, попробуйте нанести небольшое количество мощного средства или мыла в качестве смазки.
- Всегда держите инструмент и отверточную насадку по прямой линии с шурупом.

### Техническое обслуживание

Ваш инструмент BLACK+DECKER рассчитан на работу в течение продолжительного времени при минимальном техническом обслуживании. Срок службы и надежность

инструмента увеличивается при правильном уходе и регулярной чистке.

Ваше зарядное устройство не требует никакого дополнительного технического обслуживания, кроме регулярной чистки.

**Внимание!** Перед любыми видами работ по техническому обслуживанию вынимайте из инструмента аккумулятор. Перед чисткой зарядного устройства отключите его от источника питания.

- Регулярно очищайте вентиляционные отверстия инструмента и зарядного устройства мягкой щеткой или сухой тканью.
- Регулярно очищайте корпус двигателя влажной тканью. Не используйте абразивные чистящие средства, а также чистящие средства на основе растворителей.
- Регулярно раскрывайте патрон и вытряхивайте из него всю накопившуюся пыль.

### Аккумуляторы



Аккумуляторы BLACK+DECKER можно подзаряжать неограниченное количество раз. По окончании срока службы утилизируйте отработанные аккумуляторы безопасным для окружающей среды способом:

- Полностью разрядите аккумулятор, затем извлеките его из инструмента.
- NiCd, NiMH и Li-Ion аккумуляторы подлежат переработке. Сдайте их в любой авторизованный сервисный центр или в местный пункт переработки.

### Технические характеристики

		ERC126(H1)	ERC146 (H1)	ERC186 (H1)
Напряжение				
Число оборотов	Впост. тока	12	14,4	18
	без нагрузки	0-450/ 0-1400	0-450/ 0-1500	0-400/ 0-1350
Максимальный крутящий момент	Нм	18	20	25
	Патрон	мм	10	10
Максимальный диаметр сверления				
Сталь/Древесина	мм	10/25	10/25	10/25



Аккумулятор		A12/A12E	A14/A14E	A18/A18E
Емкость	Ач	1,0	1,0	1,0
Тип		NiCd	NiCd	NiCd
Вес	кг	0,5	0,6	0,7

Аккумулятор		A12NH	A14NH	A18NH
Емкость	Ач	1,5	1,5	1,5
Тип		NiMH	NiMH	NiMH
Вес	кг	0,6	0,7	0,9

Зарядное устройство				
		90500843	90500844	90500845
		90500847	90500848	90500849
		90500855	90500856	90500857
		90500858	90500859	90500860
Напряжение питания	В <sub>перем.тока</sub>	230-240	230-240	230-240
Выходное напряжение	В <sub>пост. тока</sub>	14,5-15,3	17,4-18,2	21,75-22,6
Ток	мА	210-220	200-210	210-230
Приблизительное время зарядки	ч	8-10	8-10	8-10

		EPС128(H1)	EPС148 (H1)	EPС188 (H1)
Напряжение				
Число оборотов	В <sub>пост. тока</sub>	12	14,4	18
без нагрузки	об./мин.	0-450/ 0-1400	0-450/ 0-1500	0-400/ 0-1350
Максимальный крутящий момент	Нм	18	22	25
Патрон	мм	10	10	10
Максимальный диаметр сверления				
Сталь/Древесина	мм	10/25	10/25	10/25
Кирпичная кладка	мм	10	10	10

Аккумулятор		A12/A12E	A14/A14E	A18/A18E
Емкость	Ач	1,0	1,0	1,0
Тип		NiCd	NiCd	NiCd
Вес	кг	0,5	0,6	0,7

Аккумулятор		A12NH	A14NH	A18NH
Емкость	Ач	1,5	1,5	1,5
Тип		NiMH	NiMH	NiMH
Вес	кг	0,6	0,7	0,9

Зарядное устройство				
		90500843	90500844	90500845
		90500847	90500848	90500849
		90500855	90500856	90500857
		90500858	90500859	90500860
Напряжение питания	В <sub>перем.тока</sub>	230-240	230-240	230-240
Выходное напряжение	В <sub>пост. тока</sub>	14,5-15,3	17,4-18,2	21,75-22,6
Ток	мА	210-220	200-210	210-230
Приблизительное время зарядки	ч	8-10	8-10	8-10

**Уровень звукового давления в соответствии с EN 60745:**

Звуковое давление ( $L_{pA}$ ) 87 дБ(А), погрешность (К) 3 дБ(А)  
 Акустическая мощность ( $L_{WA}$ ) 98 дБ(А), погрешность (К) 3 дБ(А)

**Сумма величин вибрации (сумма векторов по трем осям), измеренных в соответствии со стандартом EN 60745:**

Сверление с ударом в бетоне ( $a_{h, D}$ ) 11,4 м/с<sup>2</sup>,  
 погрешность (К) 1,5 м/с<sup>2</sup>, Сверление в металле ( $a_{h, D}$ ) <2,5 м/с<sup>2</sup>,  
 погрешность (К) 1,5 м/с<sup>2</sup>, Заворачивание без удара ( $a_{h, S}$ ) <2,5 м/с<sup>2</sup>,  
 погрешность (К) 1,5 м/с<sup>2</sup>

**Декларация соответствия ЕС**

ДИРЕКТИВА ПО МЕХАНИЧЕСКОМУ ОБОРУДОВАНИЮ



**EPС126/EPС146/EPС186**  
**EPС148/EPС148/EPС188**

BLACK+DECKER заявляет, что продукты, обозначенные в разделе «Технические характеристики», полностью соответствуют стандартам: 2006/42/ЕС, EN 60745-1, EN 60745-2-1

За дополнительной информацией обращайтесь по указанному ниже адресу или по адресу, указанному на последней странице руководства.

Нижеподписавшееся лицо полностью отвечает за соответствие технических данных и делает это заявление от имени фирмы BLACK+DECKER.

**Кевин Хьюитт (Kevin Hewitt)**

Вице-президент отдела  
 мирового проектирования  
 BLACK+DECKER Europe,  
 210 Bath Road, Slough,  
 Berkshire, SL1 3YD  
 United Kingdom  
 09.2015

## Защита окружающей среды



Раздельный сбор. Данное изделие нельзя утилизировать вместе с обычными бытовыми отходами.

Если однажды Вы захотите заменить Ваше изделие BLACK+DECKER или Вы больше в нём не нуждаетесь, не выбрасывайте его вместе с бытовыми отходами.

Отнесите изделие в специальный приёмный пункт.



Раздельный сбор изделий с истекшим сроком службы и их упаковок позволяет пускать их в переработку и повторно использовать.

Использование переработанных материалов помогает защищать окружающую среду от загрязнения и снижает расход сырьевых материалов.

Местное законодательство может обеспечить сбор старых электрических продуктов отдельно от бытового мусора на муниципальных свалках отходов, или Вы можете сдавать их в торговом предприятии при покупке нового изделия.

Фирма BLACK+DECKER обеспечивает приём и переработку отслуживших свой срок изделий BLACK+DECKER. Чтобы воспользоваться этой услугой, Вы можете сдать Ваше изделие в любой авторизованный сервисный центр, который собирает их по нашему поручению.

Вы можете узнать место нахождения Вашего ближайшего авторизованного сервисного центра, обратившись в Ваш местный офис BLACK+DECKER по адресу, указанному в данном руководстве по эксплуатации. Кроме того, список авторизованных сервисных центров BLACK+DECKER и полную информацию о нашем послепродажном обслуживании и контактах Вы можете найти в интернете по адресу: [www.2helpU.com](http://www.2helpU.com).

## Гарантийные обязательства

Black + Decker уверена в качестве своих изделий и предоставляет исключительную гарантию. Данное заявление о гарантии дополняет и ни в коей мере не нарушает ваши законные права.

Если продукт производства Black + Decker придет в негодность вследствие некачественных материалов, некачественного изготовления или несоответствия требованиям, BLACK+DECKER гарантирует в пределах 24-х месяцев с даты продажи выполнять замену дефектных деталей, выполнять ремонт изделий, подвергшихся естественному износу, или выполнять замену таких изделий, для сведения к минимуму неудобств для покупателя, за исключением перечисленных ниже случаев:

- Данный продукт был использован для продажи, на промышленных работах или сдавался на прокат.
- Данный продукт использовался неправильно или без надлежащего ухода.
- Данному продукту был нанесен ущерб посторонними предметами, веществами или вследствие чрезвычайного происшествия.
- Была осуществлена попытка ремонта продукта лицами, не являющимися уполномоченными представителями по ремонту или ремонтно-обслуживающим персоналом Black + Decker.

Чтобы заявить претензию по гарантии, необходимо будет предоставить подтверждение покупки продавцу или уполномоченному представителю по ремонту. Вы можете узнать адрес нашего ближайшего уполномоченного представителя по ремонту, позвонив в региональное представительство BLACK+DECKER, указанное в этой инструкции. Кроме того, список уполномоченных представителей по ремонту BLACK+DECKER, подробная информация о послепродажном обслуживании и контактные данные можно найти на сайте [www.2helpU.com](http://www.2helpU.com).



## Гарантийные условия

### Уважаемый покупатель!

1. Поздравляем Вас с покупкой высококачественного изделия Black + Decker и выражаем признательность за Ваш выбор.
2. При покупке изделия требуйте проверки его комплектности и исправности в Вашем присутствии, инструкцию по эксплуатации и заполненный гарантийный талон на русском языке.

В гарантийном талоне должны быть внесены: модель, дата продажи, серийный номер, дата производства инструмента; название, печать и подпись торговой организации. При отсутствии у Вас правильно заполненного гарантийного талона мы будем вынуждены отклонить Ваши претензии по качеству данного изделия.

3. Во избежание недоразумений убедительно просим Вас перед началом работы с изделием внимательно ознакомиться с инструкцией по его эксплуатации.

Правовой основой настоящих гарантийных условий является действующее Законодательство.

Гарантийный срок на данное изделие составляет 24 месяца и исчисляется со дня продажи. В случае устранения недостатков изделия, гарантийный срок продлевается на период его нахождения в ремонте.

Срок службы изделия - 5 лет со дня продажи.

4. В случае возникновения каких-либо проблем в процессе эксплуатации изделия рекомендуем Вам обращаться только в уполномоченные сервисные центры Black + Decker, адреса и телефоны которых Вы сможете найти в гарантийном талоне, на сайте [www.2helpU.com](http://www.2helpU.com) или узнать в магазине. Наши сервисные станции - это не только квалифицированный ремонт, но и широкий ассортимент запчастей и принадлежностей.
5. Производитель рекомендует проводить периодическую проверку и техническое обслуживание изделия в уполномоченных сервисных центрах.

6. Наши гарантийные обязательства распространяются только на неисправности, выявленные в течение гарантийного срока и вызванные дефектами производства и \ или материалов.
7. Гарантийные обязательства не распространяются на неисправности изделия, возникшие в результате:
  - 7.1. Несоблюдения пользователем предписаний инструкции по эксплуатации изделия, применения изделия не по назначению, неправильном хранении, использования принадлежностей, расходных материалов и запчастей, не предусмотренных производителем.
  - 7.2. Механического повреждения (сколы, трещины и разрушения) внутренних и внешних деталей изделия, основных и вспомогательных рукояток, сетевого электрического кабеля, вызванного внешним ударным или любым иным воздействием.
  - 7.3. Попадания в вентиляционные отверстия и проникновение внутрь изделия посторонних предметов, материалов или веществ, не являющихся отходами, сопровождающими применение изделия по назначению, такими как: стружка, опилки, песок, и пр.
  - 7.4. Воздействие на изделие неблагоприятных атмосферных и иных внешних факторов, таких как дождь, снег, повышенная влажность, нагрев, агрессивные среды, несоответствие параметров питающей электросети, указанным на инструменте.
  - 7.5. Стихийного бедствия. Повреждение или утрата изделия, связанное с непредвиденными бедствиями, стихийными явлениями, в том числе вследствие действия непреодолимой силы (пожар, молния, потоп и другие природные явления), а так же вследствие перепадов напряжения в электросети и другими причинами, которые находятся вне контроля производителя.
8. Гарантийные условия не распространяются:
  - 8.1. На инструменты, подвергшиеся вскрытию, ремонту или модификации вне уполномоченной сервисного центра.
  - 8.2. На детали и узлы, имеющие следы естественного износа, такие как: приводные ремни и колеса, угольные щетки, смазка, подшипники, зубчатое зацепление редукторов, резиновые уплотнения, сальники, направляющие ролики, муфты, выключатели, бойки, толкатели, стволы и т.п.
  - 8.3. на сменные части: патроны, цанги, зажимные гайки и фланцы, фильтры, аккумуляторные батареи, ножи, шлифовальные подошвы, цепи, звездочки, пильные шины, защитные кожухи, пилки, абразивы, пыльные и абразивные диски, фрезы, сверла, буры и т.п.
  - 8.4. На неисправности, возникшие в результате перегрузки инструмента (как механической, так и электрической), повлекшей выход из строя одновременно двух и более деталей и узлов, таких как: ротора и статора, обеих обмоток статора, ведомой и ведущей шестерни редуктора и других узлов и деталей. К безусловным признакам перегрузки изделия относятся, помимо прочего: появление цветов побежалости, деформация или оплавление деталей и узлов изделия, потемнение или обугливание изоляции проводов электродвигателя под воздействием высокой температуры.



Изготовитель

Блэк энд Декер Холдингс ГмБХ  
Германия, 65510, Идштайн,  
ул. Блэк энд Декер, 40

## Kullanım amacı

BLACK+DECKER matkap/tornavidanız vida takma/sökme uygulamaları ve ahşap, metal, plastik ve duvar delme işlemleri için tasarlanmıştır. Bu alet sadece hafif hizmet ve hobi kullanımı içindir.

## Güvenlik talimatları

### Genel elektrikli alet güvenlik uyarıları



**Uyarı! Bütün güvenlik uyarılarını ve talimatlarını mutlaka okuyun.** Aşağıda yer alan uyarılar ve talimatların herhangi birisine uyulmaması elektrik çarpması, yangın ve/veya ciddi yaralanma riskine neden olabilir.

**Bütün uyarı ve güvenlik talimatlarını ileride bakmak üzere saklayın.** Aşağıda yer alan uyarılardaki «elektrikli alet» terimi şebeke elektrifiyle (kablolu) veya akü/pille (şarjlı) çalışan elektrikli aletinizi ifade etmektedir.

### 1. Çalışma alanının güvenliği

- Çalışma alanını temiz ve aydınlık tutun.** Karışık veya karanlık alanlar kazaya davetiye çıkarır.
- Elektrikli aletleri, yanıcı sıvılar, gazlar ve tozların bulunduğu yerler gibi yanıcı ortamlarda çalıştırmayın.** Elektrikli aletler, toz veya dumanları ateşleyebilecek kıvılcımlar çıkarır.
- Bir elektrikli aleti çalıştırırken çocuklardan ve etraftaki kişilerden uzak tutun.** Dikkatinizi dağıtıcı şeyler kontrolü kaybetmenize neden olabilir.

### 2. Elektrik güvenliği

- Elektrikli aletlerin fişleri prizlere uygun olmalıdır.** Fiş üzerinde kesinlikle hiçbir değişiklik yapmayın. **Topraklı elektrikli aletlerde hiçbir adaptör fişi kullanmayın.** Değiştirilmemiş fişler ve uygun prizler elektrik çarpması riskini azaltacaktır.
- Borular, radyatörler, ocaklar ve buzdolapları gibi topraklanmamış yüzeylerle vücut temasından kaçının.** Vücudunuzun topraklanması halinde yüksek bir elektrik çarpması riski vardır.
- Elektrikli aletleri yağmura maruz bırakmayın veya ıslatmayın.** Elektrikli alete su girmesi elektrik çarpması riskini arttıracaktır.
- Elektrik kablosunu uygun olmayan amaçlarla kullanmayın.** Elektrikli aleti kesinlikle kablosundan tutarak taşımayın, çekmeyin veya prizden çıkartmayın. Kabloyu sıcağtan, yağdan, keskin kenarlardan veya hareketli parçalardan uzak tutun.

Hasarlı veya dolaşmış kablolar elektrik çarpması riskini artırır.

- Elektrikli bir aleti açık havada çalıştırıyorsanız, açık havada kullanıma uygun bir uzatma kablosu kullanın.** Açık havada kullanıma uygun bir kablonun kullanılması elektrik çarpması riskini azaltır.
- Eğer bir elektrikli aletin nemli bir bölgede çalıştırılması zorunluysa, bir artık akım aygıtı (RCD) korumalı bir kaynak kullanın.** Bir RCD kullanılması elektrik şoku riskini azaltır.
- Kişisel güvenliği**
  - Elektrikli bir aleti kullanırken her zaman dikkatli olun, yaptığınız işe yoğunlaşın ve sağduyulu davranın.** Elektrikli bir aleti yorgunken veya ilaç ya da alkolün etkisi altındayken kullanmayın. Elektrikli aletleri kullanırken bir anlık dikkatsizlik ciddi kişisel yaralanmayla sonuçlanabilir.
  - Kişisel koruyucu ekipmanları mutlaka kullanın.** Daima koruyucu gözlük takın. Koşullara uygun toz maskesi, kaymayan güvenlik ayakkabıları, beret veya kulaklık gibi koruyucu donanımların kullanılması kişisel yaralanmaları azaltacaktır.
  - İstem dışı çalıştırılmasını önleyin.** Cihazı güç kaynağına ve/veya aküye bağlamadan, yerden kaldırmadan veya taşımadan önce düğmenin kapalı konumda olduğundan emin olun. Aleti, parmağınız düğme üzerinde bulunacak şekilde taşımak veya açık konumdaki elektrikli aletleri elektrik şebekesine bağlamak kazaya davetiye çıkarır.
  - Elektrikli aleti açmadan önce tüm ayarlar anahtarlarını çıkartın.** Elektrikli aletin hareketli bir parçasına takılı kalmış bir anahtar kişisel yaralanmaya neden olabilir.
  - Ulaşmakta zorlandığınız yerlerde kullanmayın.** Daima sağlam ve dengeli basın. Bu, beklenmedik durumlarda elektrikli aletin daha iyi kontrol edilmesine olanak tanır.
  - Uygun şekilde giyinin.** Bol elbiseler giymeyin ve takı takmayın. Saçınızı, elbiselerinizi ve eldivenlerinizi hareketli parçalardan uzak tutun. Bol elbiseler ve takılar veya uzun saç hareketli parçalara takılabilir.
  - Eğer kullandığınız üründe toz emme ve toplama özellikleri olan ataşmanlar varsa bunların bağlı olduğundan ve doğru şekilde kullanıldığından emin olun.** Bu toz toplama ataşmanların kullanılması tozla ilgili tehlikeleri azaltabilir.
- Elektrikli aletlerin kullanımı ve bakımı**

- a. **Elektrikli aleti zorlamayın. Uygulamanız için doğru elektrikli aleti kullanın.** Doğru elektrikli alet, belirlendiği kapasite ayarında kullanıldığında daha iyi ve güvenli çalışacaktır.
  - b. **Düğme açmıyor ve kapatmıyorsa elektrikli aleti kullanmayın.** Düğmeyle kontrol edilemeyen tüm elektrikli aletler tehlikelidir ve tamir edilmesi gerekmektedir.
  - c. **Herhangi bir ayarlama, aksesuar değişimi veya elektrikli aletlerin saklanması öncesinde fi şii güç kaynağından çekin ve/veya aküyü elektrikli aletten ayırın.** Bu tür önleyici güvenlik tedbirleri aletin istem dışı olarak çalıştırılması riskini azaltacaktır.
  - d. **Elektrikli aleti, çocukların ulaşamayacağı yerlerde saklayın ve elektrikli aleti tanımayan veya bu talimatları bilmeyen kişilerin elektrikli aleti kullanmasına izin vermeyin.** Elektrikli aletler, eğitimsiz kullanıcıların elinde tehlikelidir.
  - e. **Elektrikli aletleri iyi durumda muhafaza edin.** Hareketli parçalardaki hizalama hatalarını ve tutuklukları, parçalardaki kırılmaları ve elektrikli aletin çalışmasını etkileyebilecek tüm diğer koşulları kontrol edin. **Hasarlı ise, elektrikli aleti kullanmadan önce tamir ettirin.** Kazaların çoğu, elektrikli aletlerin bakımının yeterli şekilde yapılmamasından kaynaklanır.
  - f. **Kesim aletlerini keskin ve temiz tutun.** Bakımı uygun şekilde yapılmış keskin kesim uçlu kesim aletlerinin sıkışma ihtimali daha düşüktür ve kontrol edilmesi daha kolaydır.
  - g. **Elektrikli aleti, aksesuarlarını ve aletin diğer parçalarını kullanırken bu talimatlara mutlaka uyun ve çalışma ortamının koşullarını ve yapılacak işin ne olduğunu göz önünde bulundurun.** Elektrikli aletin öngörülen işlemler dışındaki işlemler için kullanılması tehlikeli durumlara neden olabilir.
5. **Akü/pille çalışan aletin kullanımı ve bakımı**
    - a. **Sadece üretici tarafından belirtilen şarj cihazı ile şarj edin.** Bir akü tipine uygun bir şarj cihazı başka tipte bir aküyü şarj etmek için kullanıldığında yangın riski yaratabilir.
    - b. **Elektrikli aletleri yalnızca özel olarak tanımlanmış akülerle kullanın.** Başka bir akünün kullanılması yaralanma veya yangın riskine yol açabilir.
    - c. **Akü kullanımda değilken, ataç, bozuk para, anahtar, çivi, vida veya terminaler arasında kontağa neden olabilecek diğer küçük metal nesnelere uzak tutulmalıdır.** Akü terminalerinin birbirine kısa devre yapılması yanıklara veya yangına neden olabilir.
    - d. Sıra dışı koşullarda sıvı aküden dışarı akabilir, temastan

kaçının. Yanlışlıkla cilde temas edilirse su ile yıkayın. Gözle temas durumunda ayrıca doktora başvurun. Aküden sıvı akması ciltte tahriş veya yanmaya neden olabilir.

## 6. Servis

- a. **Elektrikli aletinizi, sadece orijinal yedek parçalarını kullandığınız yetkili servise tamir ettirin.** Bu, elektrikli aletin güvenliğinin muhafaza edilmesini sağlayacaktır.

## Elektrikli el aletleri için ek güvenlik talimatları



**Uyarı!** Matkaplar ve darbeli matkaplar için ek güvenlik talimatları

- **Darbeli matkap ile çalışırken kulaklık takın.** Yüksek sese maruz kalmak işitme kaybına yol açabilir.
- **Aletle birlikte verilmiş olan yardımcı tutma kollarını kullanın.** Kontrol kaybı kişisel yaralanmalara neden olabilir.
- **Kesme aksesuarının gizli kabloları veya kendi kablo suna temas edebileceği yerlerde çalışma yaparken elektrikli aleti yalıtımlı kavrama yüzeylerinden tutun.** Kesme aksesuarının «akım taşıyan» bir kabloya temas etmesi durumunda elektrikli aletin metal kısımları da «akım taşıyıcı» hale gelecek ve kullanıcının elektrik çarpmasına neden olabilir.
- **Bağlantı parçasının gizli kabloları temas edebileceği yerlerde çalışma yaparken elektrikli aleti yalıtımlı kavrama yüzeylerinden tutun.** Bağlantı parçalarının «akım taşıyan» bir kabloya temas etmesi durumunda elektrikli aletin metal kısımları da «akım taşıyıcı» hale gelecek ve kullanıcının elektrik çarpmasına neden olabilir.
- **Üzerinde çalıştığınız parçayı sabitlemek ve desteklemek için kelepçeler veya başka pratik yöntemler kullanın.** Parçayı elle veya vücudunuza dayamanız dengesiz durmasına neden olacaktır ve aletin kontrolünü kaybetmeniz yol açabilir.
- Duvar, zemin veya tavanda delik açmadan önce kablo ve boruların konumunu kontrol edin.
- Delme işleminin hemen ardından matkap ucuna dokunmaktan kaçının; sıcak olabilir.
- Bu alet fi ziksel ve zihinsel kapasitesinin yanı sıra algılama gücü azalmış olan veya yeterince deneyim ve bilgisi bulunmayan kişiler (çocuklar dahil) tarafından kullanılmak üzere üretilmemiştir. Bu tür kişiler aleti ancak güvenliklerinden sorumlu bir kişi tarafından cihazın kullanımıyla ilgili talimatların verilmesi veya sürekli kontrol altında tutulması durumunda kullanabilir. Çocuklar, aletle oynamalarını önlemek amacıyla kontrol altında tutulmalıdır.

- Kullanım amacı bu kullanım kılavuzunda açıklanmıştır. Herhangi bir aksesuarın veya bağlantının ya da işlemin, bu kılavuzda tavsiye edilen şekilden başka bir şekilde kullanılması şahısların yaralanmalarına ve/veya mal kaybına yol açabilir.

## Titreşim

Teknik veriler ve uygunluk beyanatı içerisinde belirtilen titreşim emisyon değerleri EN60745 tarafından belirlenen standart bir test yöntemine uygun olarak ölçülmektedir ve diğer bir aletle karşılaştırma yaparken kullanılabilir. Beyan edilen titreşim emisyon değeri aynı zamanda maruz kalmanın önceden değerlendirilmesinde de kullanılabilir.

**Uyarı!** Elektrikli aletin mevcut kullanımı sırasındaki titreşim emisyon değeri, aletin kullanım yöntemine bağlı olarak, beyan edilen değere göre farklılık sergileyebilir. Titreşim düzeyi belirlenen seviyenin üzerinde artış gösterebilir.

İşyerinde düzenli olarak elektrikli alet kullanan çalışanları korumak amacıyla 2002/44/EC tarafından getirilen elektrik güvenliği önlemlerini belirlemek üzere titreşime maruz kalmayı değerlendirirken, çalışma döngüsü içerisinde örneğin aletin kapalı olduğu ve aktif durumda olmasının yanı sıra boşta çalıştığı zamanlar gibi, bütün zaman dilimleri dahil olmak üzere mevcut kullanım durumu ve aletin kullanım şekli göz önünde bulundurularak değerlendirilmelidir.

## Alet üzerindeki etiketler

Alet üzerinde, aşağıdaki uyarı sembolleri bulunmaktadır:



**Uyarı!** Yaralanma riskini en aza indirmek için kullanıcı kullanım talimatlarını mutlaka okumalıdır.

## Şarj cihazları ve aküler için ek güvenlik talimatları

### Aküler

- Kesinlikle, hiçbir nedenle açmaya çalışmayın.
- Aküyü suya batırmayın.
- Sıcaklığın 40 °C'yi aşabileceği yerlerde saklamayın.
- Sadece 10 °C ila 40 °C arasındaki ortam sıcaklıklarında şarj edin.
- Sadece aletle birlikte verilen şarj cihazını kullanarak şarj edin.
- Aküleri atarken, «Çevrenin korunması» başlıklı bölümdeki talimatlara uyun.



Hasarlı aküleri şarj etmeyi çalışmayın.

### Şarj cihazları

- BLACK+DECKER şarj cihazınızı, yalnızca aletle birlikte verilen aküyü şarj etmek için kullanın. Diğer aküler patlayarak yaralanmanıza veya hasar meydana gelmesine yol açabilir.
- Şarj edilme özelliği olmayan aküleri kesinlikle şarj etmeye çalışmayın.
- Hasarlı kabloların hemen değiştirilmesini sağlayın.
- Şarj cihazını suya batırmayın.
- Şarj cihazını açmayın.
- Şarj cihazını delmeyin.



Şarj cihazı, yalnızca kapalı alanda kullanım içindir.



Aletle çalışmaya başlamadan önce bu kılavuzu okuyun.



Çevre ısısı çok yükselir ise şarj cihazı otomatik olarak kapanır. Termik kesici sadece bir defa çalışır ve sonrasında tamamen değiştirilmesi gerekmektedir.

## Elektrik güvenliği



Şarj cihazınız çift yalıtılıdır; Bu yüzden hiçbir topraklama kablosuna gerek yoktur. Her zaman şebeke geriliminin aletin üretim etiketinde belirlenmiş değerlere uyup uymadığını kontrol edin. Şarj cihazını kesinlikle normal bir elektrik fişi ile değiştirmeye kalkışmayın.

- Elektrik kablosu hasarlı ise, bir tehlike oluşmasını önlemek için üretici ya da yetkili BLACK+DECKER Servis Merkezi tarafından değiştirilmelidir.

## Özellikler

Bu alet, aşağıdaki özelliklerin bir kısmını veya tümünü içermektedir.

1. Değişken hız ayarlı tetik
2. İleri/geri sürgüsü
3. Mod seçici/tork ayarlama bileziği
4. Mandren
5. Vites mandalı
6. Matkap/tornavida ucu yuvası
7. Akü

**Şekil A**

8. Şarj cihazı fişi
9. Şarj cihazı
10. Şarj cihazı yuvası

**Montaj**

**Uyarı!** Montajdan önce aküyü aletten çıkartın.

**Akünün takılması ve çıkartılması (Şekiller B ve C)**

- Aküyü (7) takmak için alet üzerindeki yuvası ile aynı hizaya getirin. Aküyü yuvaya geçirin ve yerine oturana kadar itin.
- Aküyü çıkartmak için çıkartma düğmesine (11) basın ve aynı anda akü yuvasından geri çekin.

**Akü kapağının takılması (Şekil C)**

**Uyarı!** Kapağı (12), aküye (7) nakliye ve saklama amacıyla takın.

**Matkap veya tornavida ucunu takmak ve çıkartmak (Şekil D)**

Bu alet, uçların kolayca değiştirilmesini sağlamak için anahtarsız bir mandren ile donatılmıştır.

- İleri/geri sürgüsünü (2) orta konuma getirerek aleti kilitleyin.
- Bir elinizle arka kısmı (14) tutarken diğer elinizle ön kısmı (13) çevirerek mandreni açın.
- Uçun mil kısmını (15) mandrene sokun ve mandreni sonuna kadar sıkın.

Bu alet, uç yuvasında (6) bir yıldız tornavida ucuyla tedarik edilmektedir.

- Tornavida ucunu uç yuvasından çıkartmak için kaldırarak oyuktan alın.
- Tornavida ucunu yerine koymak için yuvasına sıkıca bastırın.

**Mandrenin çıkarılması ve yeniden takılması (Şekil E)**

- Mandreni mümkün olduğunca açın.
- Mandrenin içindeki tutucu vidayı çıkarmak için, bir tornavidayla saat yönünde döndürün.
- Mandrenin içine bir Alyan anahtarını takarak sıkın ve gösterildiği gibi bir çekiçle anahtara vurun.
- Alyan anahtarını çıkarın.

- Mandreni saat yönünün tersine döndürerek çıkarın.
- Mandreni tekrar takmak için, onu milin üzerine vidalayın ve mandren tutucu vidayla sabitleyin.

**Diğer tehlikeler**

Aletin kullanımıyla ilgili ekte sunulan güvenlik uyarılarına dahil olmayan ilave kalıcı riskler ortaya çıkabilir. Bu riskler, hatalı, uzun süreli kullanım vb. dolayısıyla ortaya çıkabilir.

Emniyet tedbirlerini düzenleyen yönetmeliğin uygulanmasına ve emniyet sağlayıcı aygıtların kullanılmasına rağmen, başka belirli risklerden kaçınılamaz. Bunlar:

- **Aletin dönen ve hareket eden parçalarına dokunma sonucu ortaya çıkan yaralanmalar.**
- **Herhangi bir parçayı, bıçak veya aksesuarı değiştirirken ortaya çıkan yaralanmalar.**
- **Aletin uzun süreli kullanılması sonucu ortaya çıkan yaralanmalar. Herhangi bir aleti uzun sürelerle kullanacaksanız düzenli olarak çalışmanıza ara verin.**
- **Duyuma bozukluğu.**
- **Aleti kullanırken ortaya çıkan tozun solunması sonucu ortaya çıkan sağlık sorunları (örnek: ahşapta çalışırken, özellikle meşe, akgürgen ve MDF.)**

**Kullanımı**

**Uyarı!** Aletin kendi hızında çalışmasına izin verin. Aşırı yüklenmeyin.

**Uyarı!** Duvar, zemin veya tavanda delik açmadan önce kablo ve boruların konumunu kontrol edin.

**Akünün şarj edilmesi (Şekiller A ve F)**

Akünün, ilk kullanımdan önce ve daha önce kolayca yapılan işler için yeterli güç üretmediği hallerde şarj edilmesi gereklidir. Aküyü ilk kez veya uzun süre bekledikten sonra şarj ederken sadece %80 düzeyinde şarj olacaktır. Akü, şarj ve deşarj döngüsünden sonra, akü tam kapasitesine ulaşacaktır. Akü, şarj sırasında ısınabilir; bu normal bir durumdur ve bir sorun olduğuna işaret etmez.

**Uyarı!** Ortam sıcaklığı 10 °C'den düşük veya 40 °C'den yüksekse aküyü şarj etmeyin. Tavsiye edilen şarj sıcaklığı: yaklaşık 24 °C.

**Şarj cihazının kullanımı**

- Aküyü (7) şarj etmek için, aletten çıkartıp şarj cihazı yuvasını (10) akünün üzerine kaydırın.
- Şarj cihazını (9) prize takın.

Akü, şarj sırasında ısınacaktır. Yaklaşık 3 saat şarj edildikten sonra akü, normal uygulamalarda kullanılmak için yeterince şarj olmuş olacaktır. Yaklaşık 8-10 saat şarj edildikten sonra akü tümüyle şarj olmuş olacaktır.

- Şarj cihazı yuvasını aküden çıkartın.

#### Fişli şarj cihazı

- Aküyü şarj etmek için matkaba takılı olduğundan emin olun.
- Şarj cihazı fişini (8) girişe sokun.
- Şarj cihazını prize takın.
- Şebekeyi açın.

Normal kullanımdan sonra 3 saatlik bir şarj süresi en iyi uygulama için yeterli gücü sağlayacaktır. Ancak, 6 saat süreyle şarj edilmesi, akü ve şarj koşullarına bağlı olarak kullanım süresini önemli oranda arttırabilir.

- Aleti şarj cihazından ayırın.

**Uyarı!** Aleti, şarj cihazına bağlı halde kullanmayın.

#### Dönme yönünün seçilmesi (Şekil G)

Delik açma ve vida sıkma uygulamaları için ileri (saat yönünde) dönmeyi kullanın. Vidaları gevşetmek veya sıkışmış bir matkap ucunu çıkartmak için geri (saatin ters yönünde) dönmeyi kullanın.

- İleri dönmeyi seçmek için ileri/geri sürgüsünü (2) sola itin.
- Geri dönmeyi seçmek için ileri/geri sürgüsünü sağa itin.
- Aleti kilitlemek için ileri/geri sürgüsünü orta konuma getirin.

#### Çalışma modu veya torkun seçilmesi (Şekil H)

Bu alet, çalışma modunun seçilmesi ve vida sıkma torkunun ayarlanması için bir bilezikle donatılmıştır. Büyük vidalar ve üzerinde çalışılan sert malzemeler küçük vidalara ve yumuşak malzemelere göre daha yüksek bir tork ayarı gerektirir. Bilezik, uygulamanıza uyacak geniş bir ayar aralığına sahiptir.

- Ahşap, metal ve plastik delme işlemleri için **1** sembolünü işaretle (16) hizalayarak bileziği (3) delme konumuna getirin.
- Vida takma ve sökme işlemleri için bileziği istediğiniz konuma getirin. Henüz uygun ayarı bilmiyorsanız, aşağıda belirtildiği şekilde ilerleyin:
- Bileziği (3) en düşük tork ayarına getirin.

- Ardından ilk vidayı sıkın.

- Kavrama istenen sonuç elde edilmeden düşerse, bilezik ayarını yükselin ve vidayı sıkmaya devam edin. Doğru ayara ulaşıncaya kadar tekrarlayın. Kalan vidalar için de bu ayarı kullanın.

#### Beton delme (Şekiller H ve I)

- Duvar delme işlemleri için **T** sembolünü işaretle (16) hizalayarak bileziği (3) darbeli delme konumuna getirin.
- Vites mandalını (5) aletin önüne doğru kaydırın (2.hız).

#### Vites mandalı (Şekil I)

- Çelik delme ve vida takma ve sökme uygulamaları için vites mandalını (5) aletin arka kısmına doğru (1. hız) kaydırın.
- Çelik dışında bir maddeyi delme uygulamaları için vites mandalını (5) aletin ön kısmına doğru (2.hız) kaydırın.

#### Delme/vida takma ve sökme

- İleri geri sürgüsünü (2) kullanarak ileri veya geri yönde dönme fonksiyonunu seçin.
- Aleti açmak için, değişken hız düğmesine (1) basın. Aletin hızı, düğmeye ne kadar bastığınıza bağlıdır.
- Aleti kapatmak için, değişken hız düğmesini bırakın.

#### Yararlı tavsiyeler

##### Delme

- Daima matkap ucuna düz bir çizgide hafi f bir baskı uygulayın.
- Matkap ucu, üzerinde çalıştığınız parçanın öbür yüzünden çıkmadan hemen önce alet üzerindeki baskıyı azaltın.
- Parçalanabilecek parçaları desteklemek için ağaç bir takoz kullanın.
- Ahşapta büyük çaplı delikler delerken geniş ağızlı uç kullanın.
- Metali delerken HSS matkap uçları kullanın.
- Tuğla ve yumuşak betonda delik delerken beton matkap ucu kullanın.
- Döküm demir ve pirinç dışındaki metalleri delerken bir yağlayıcı kullanın.
- Doğruluğu geliştirmek için, delinecek deliği ortasına bir merkez zımbası ile çentik atın.



**Vida takma ve sökme**

- Daima doğru tipte ve boyutta tornavida ucu takın.
- Vidaları sıkmakta zorlanıyorsanız, yağlayıcı olarak az miktarda deterjan veya sabun kullanmayı deneyin.
- Aleti ve tornavida ucunu daima vidaya dik bir çizgide tutun.

**Bakım**

BLACK+DECKER aletiniz minimum bakımla uzun bir süre çalışacak şekilde tasarlanmıştır. Kesintisiz olarak memnuniyet verici bir şekilde çalışması gerekli özenin gösterilmesine ve düzenli temizliğe bağlıdır.

Şarj cihazınız, düzenli temizlik dışında herhangi bir bakım gerektirmemektedir.

**Uyarı!** Herhangi bir bakım çalışmasına başlamadan önce aküyü aletten çıkartınız. Şarj cihazını temizlemeden önce fişten çekin.

- Aletinizdeki ve şarj cihazındaki havalandırma deliklerini yumuşak bir fırça veya kuru bir bezle düzenli olarak temizleyin.
- Motor muhafazasını düzenli olarak nemli bir bezle silin. Aşındırıcı veya çözücü bazlı temizleyiciler kullanmayın.
- Mandreni düzenli olarak tamamen açın ve içindeki tozu dökmek için hafifçe vurun.

**Aküler**

BLACK+DECKER aküleri defalarca yeniden şarj edilebilir. Hizmet ömürlerinin sonunda, aküleri çevremize gerekli özeni göstererek atın:

- Aküyü bitene kadar aleti çalıştırın, sonra aletten çıkartın.
- NiCd, NiMH ve Li-Ion aküler geri dönüşümlüdür. Aküleri yerel toplama merkezine teslim edin.

**Teknik özellikleri**

		EPC126 (H1)	EPC146 (H1)	EPC186 (H1)
Voltaj	V <sub>DC</sub>	12	14,4	18
Yüksüz hızı	dev/dak	0-450/	0-450/	0-400/
		0-1400	0-1500	0-1350
Maks. tork	Nm	18	20	25
Mandren kapasitesi	mm	10	10	10
Maks. delme kapasitesi				
Çelik/Ahşap	mm	10/25	10/25	10/25

Akü		A12/A12E	A14/A14E	A18/A18E
Kapasite	Ah	1,0	1,0	1,0
Akü tipi		NiCd	NiCd	NiCd
Ağırlık	kg	0,5	0,6	0,7
Akü		A12NH	A14NH	A18NH
Kapasite	Ah	1,5	1,5	1,5
Akü tipi		NiMH	NiMH	NiMH
Ağırlık	kg	0,6	0,7	0,9
Şarj cihazı				
		90500843	90500844	90500845
		90500847	90500848	90500849
		90500855	90500856	90500857
		90500858	90500859	90500860
Giriş voltajı	V <sub>AC</sub>	230-240	230-240	230-240
Çıkış voltajı	V <sub>DC</sub>	14,5-15,3	17,4-18,2	21,75-22,6
Çıkış akımı	mA	210-220	210-210	210-230
Yaklaşık şarj süresi	saat	8-10	8-10	8-10

		EPC128 (H1)	EPC148 (H1)	EPC188 (H1)
Voltaj	V <sub>DC</sub>	12	14,4	18
Yüksüz hızı	dev/dak	0-450/	0-450/	0-400/
		0-1400	0-1500	0-1350
Maks. tork	Nm	18	22	25
Mandren kapasitesi	mm	10	10	10
Maks. delme kapasitesi				
Çelik/Ahşap	mm	10/25	10/25	10/25
Beton	mm	10	10	10

Akü		A12/A12E	A14/A14E	A18/A18E
Kapasite	Ah	1,0	1,0	1,0
Akü tipi		NiCd	NiCd	NiCd
Ağırlık	kg	0,5	0,6	0,7
Akü		A12NH	A14NH	A18NH
Kapasite	Ah	1,5	1,5	1,5
Akü tipi		NiMH	NiMH	NiMH
Ağırlık	kg	0,6	0,7	0,9

Şarj cihazı				
		90500843	90500844	90500845
		90500847	90500848	90500849
		90500855	90500856	90500857
		90500858	90500859	90500860
Giriş voltajı	V <sub>AC</sub>	230-240	230-240	230-240
Çıkış voltajı	V <sub>DC</sub>	14,5-15,3	17,4-18,2	21,75-22,6
Çıkış akımı	mA	210-220	210-210	210-230
Yaklaşık şarj süresi	saat	8-10	8-10	8-10

**EN 60745'e göre ses basıncı düzeyi:**Ses basıncı ( $L_{pA}$ ) 87 dB(A), belirsizlik (K) 3 dB(A)Akustik güç ( $L_{WA}$ ) 98 dB(A), belirsizlik (K) 3 dB(A)**EN 60745'e göre tespit edilen toplam titreşim değerleri (üç yönün vektör toplamı):**Betonla darbeli delme ( $a_{h, ID}$ ) = 11,4 m/s<sup>2</sup>, belirsizlik (K) 1,5 m/s<sup>2</sup>Metalde delme ( $a_{h, D}$ ) <2,5 m/s<sup>2</sup>, belirsizlik (K) 1,5 m/s<sup>2</sup>Darbesiz vidalama ( $a_{h, S}$ ) <2,5 m/s<sup>2</sup>, belirsizlik (K) 1,5 m/s<sup>2</sup>**AT Uygunluk Beyanati**  
MAKİNE DİREKTİFİ**EPC126/EPC146/EPC186**  
**EPC148/EPC148/EPC188**

BLACK+DECKER, «teknik özellikleri» bölümünde açıklanan bu ürünlerin aşağıda belirtilen yönergelere uygun olduğunu beyan eder: 2006/42/ EC, EN 60745-1, EN 60745-2-1

Daha fazla bilgi için, lütfen aşağıdaki adresten BLACK+DECKER ile irtibata geçin veya kılavuzun arkasına bakın.

Bu belge altında imzası bulunan yetkili, teknik dosyanın derlenmesinden sorumludur ve bu beyanı BLACK+DECKER adına vermiştir.

**Kevin Hewitt**Başkan Yardımcısı,  
Global MühendislikBLACK+DECKER Europe,  
210 Bath Road, Slough,  
Berkshire, SL1 3YD İngiltere  
09.2015**Çevrenin korunması**

Ayrı olarak atın. Bu ürün, normal evsel atıklarla birlikte atılmamalıdır.

BLACK+DECKER ürününüzün değiştirilmesi gerektiğini düşünmeniz veya artık kullanılamaz durumda olması halinde onu, evsel atıklarla birlikte atmayın. Bu ürünü, ayrı olarak toplanacak şekilde atın.



Kullanılmış ürünlerin ve ambalajların ayrı olarak toplanması bu maddelerin geri dönüşüme sokularak yeniden kullanılmasına olanak tanır. Geri dönüşümlü maddelerin tekrar kullanılması çevre kirliliğinin önlenmesine yardımcı olur ve ham madde ihtiyacını azaltır.

Yerel yönetmelikler, elektrikli ürünlerin evlerden toplanıp belediye atık tesislerine aktarılması veya yeni bir ürün satın alırken perakende satıcı tarafından toplanması yönünde hükümler içerebilir.

BLACK+DECKER, hizmet ömrünün sonuna ulaşan BLACK+DECKER ürünlerinin toplanması ve geri dönüşüme sokulması için bir imkan sunmaktadır. Bu hizmetin avantajlarından faydalanmak için, lütfen, ürününüzü bizim adımıza teslim alacak herhangi bir yetkili servise iade edin.

Bu kılavuzda belirtilen listeden size en yakın BLACK+DECKER yetkili tamir servisinin yerini öğrenebilirsiniz. Ya da, alternatif olarak internet'ten BLACK+DECKER yetkili tamir servislerinin listesini ve satış sonrası hizmetlerimizle ilgili tüm bilgiler ve temas bilgilerine aşağıdaki siteden ulaşabilirsiniz. [www.2helpU.com](http://www.2helpU.com)

## Garanti

Black + Decker, ürünün kalitesinden emindir ve bu yüzden kanunlarda belirtilen taleplerin üstünde bir garanti verir. Ayrıca bu garanti hiçbir şekilde garanti ile ilgili kanuni haklarınızı ihlal etmez ve haklarınızı hiç bir şekilde kısıtlamaz.

Eğer bir Black + Decker ürünü, satın alma tarihinden itibaren 24 ay içinde hatalı malzeme, işçilik ya da uygunsuzluk nedeniyle bozulursa, müşteriye mümkün olabilecek en az sorunu yaşatarak BLACK+DECKER hatalı kısımları değiştirmeyi, adil bir şekilde aşınmış ve yıpranmış ürünleri tamir etmeyi veya değiştirmeyi garanti eder. Ancak bu belirtilenler şu durumlar dışında geçerlidir:

- Ürün ticari veya profesyonel amaçlarla kullanılmışsa veya kiraya verilmişse;
- Ürün yanlış veya amaç dışı kullanılmışsa;
- Ürün yabancı nesnelere, maddelere veya kaza sırasında zarar görmüşse;
- Yetkili tamir servisleri veya Black + Decker servis ekibinden başkası tarafından tamir edilmeye çalışılmışsa.

Garanti talebinde bulunmak için, satıcıya veya yetkili tamir servisine satın aldığınıza dair ispat sunmalısınız. Fatura ve garanti kartı gerekmektedir. Bu kılavuzda belirtilen listeden size en yakın BLACK+DECKER yetkili tamir servisinin yerini öğrenebilirsiniz. Ya da, alternatif olarak internet'ten BLACK+DECKER yetkili tamir servislerinin listesini ve satış sonrası hizmetlerimizle ilgili tüm bilgiler ve temas bilgilerine aşağıdaki siteden ulaşabilirsiniz. [www.2helpU.com](http://www.2helpU.com)

## Область застосування

Електричний дріль BLACK+DECKER призначений для свердлення отворів в деревині, металі, пластику та стінах з м'якого каменя або цегли, а також для використання в якості викрутки. Цей інструмент призначений виключно для побутового використання.

## Інструкції з техніки безпеки

Загальні правила безпеки при використанні електроінструмента



**Попередження! Перед використанням інструмента прочитайте всі попередження та інструкції з техніки безпеки.** Невиконання наведених нижче попереджень та інструкцій може призвести до ураження електричним струмом, пожежі та / або серйозних травм.

**Збережіть всі попередження та інструкції для подальшого використання.** Термін „електроінструмент“ в усіх наведених нижче попередженнях означає інструмент, який живиться від електромережі через кабель живлення або від акумуляторів (без кабелю).

1. **Безпека у зоні виконання робіт**
  - a. **Підтримуйте у зоні виконання робіт чистоту та забезпечте достатнє освітлення.**  
Невпорядкованість та недостатнє освітлення робочі зони збільшують ймовірність нещасного випадку.
  - b. **Не користуйтеся електроінструментом у вибухонебезпечному оточенні, наприклад, в присутності вогнебезпечних рідин, газів та пилу.** Електроінструмент є джерелом іскор, від яких може спалахнути пил або випари.
  - c. **Під час роботи з електроінструментом не допускайте присутності у зоні виконання робіт дітей та сторонніх осіб.** Відвернення уваги може призвести до неконтрольованих ситуацій.
2. **Електрична безпека**
  - a. **Електроінструмент повинен мати штепсельну вилку, яка відповідає розетці електромережі.** Забороняється вносити будь-які зміни у конструкцію штепсельної вилки. **Не використовуйте жодних перехідників живлення з електроінструментом, який обладнаний заземленням.** Штепсельні вилки належної конструкції без жодних модифікацій та відповідні розетки зменшують ризик ураження електричним струмом.
  - b. **Уникайте контакту тіла з заземленими поверхнями, такими як труби, радіатори, кухонні плити та холодильники.** Контакт тіла людини з заземленим об'єктом збільшує ризик ураження електричним струмом.
  - c. **Не залишайте електроінструмент під дощем або в умовах підвищеної вологості.** Потраплення води в електроінструмент збільшує ризик ураження електричним струмом.
  - d. **Використовуйте кабель живлення виключно за призначенням.** Забороняється переносити або тягнути електроінструмент за кабель живлення або витягувати штепсельну вилку з розетки за кабель. **Не піддавайте кабель живлення впливу високих температур, мастил, уникайте його контакту з гострими окрайками та рухомими деталями.** Пошкоджений або перекручений кабель живлення збільшує ризик ураження електричним струмом.
  - e. **При роботі з електроінструментом поза приміщенням застосовуйте подовжувач кабелю живлення, який призначений для надвірних умов використання.** Застосування кабелю живлення, який підходить до надвірних умов використання, зменшує ризик ураження електричним струмом.
  - f. **Якщо неможливо уникнути використання електроінструмента в умовах підвищеної вологості, необхідно застосовувати захисний автоматичний вимикач, який спрацьовує від струму спливу.** Використання такого автоматичного вимикача зменшує ризик ураження електричним струмом.
3. **Особиста безпека**
  - a. **Під час роботи з електроінструментом будьте уважні, слідкуйте за ходом роботи, керуйтеся здоровим глуздом.** Забороняється використовувати електроінструмент у стані втоми, під впливом наркотичних речовин, алкоголю або ліків. Навіть миттєва втрата уваги під час роботи з електроінструментом може призвести до серйозних травм.
  - b. **Застосовуйте засоби особистої безпеки. Завжди застосовуйте засоби захисту очей.** Застосування у відповідних умовах захисних засобів, зокрема протипилової маски, захисного взуття з неслизькою підошвою, каски та засобів захисту органів слуху зменшує ймовірність травматизму.

- c. Запобігання неумисному увімкненню електроінструмента. Перед тим, як брати електроінструмент в руки, перенесіть його або підключати до мережі живлення та / або акумулятора, впевніться, що вимикач електроінструмента встановлений у положення „Вимкн“. Перенесення електроінструмента у положенні, при якому палець знаходиться на вимикачі, або підключення живлення до електроінструмента, вимикач якого встановлений у положення „Увімкн.“, збільшує ймовірність нещасних випадків.
- d. Перед тим, як вмикати електроінструмент, звільніть його від будь-якого налаштувального приладдя та гайкових ключів. Гайковий ключ, що залишився приєднаним до будь-якої обертової деталі електроінструмента, може спричинити травматизм.
- e. Не перенапружуйтеся. Завжди дотримуйтеся належної постановки ніг і стійкої рівноваги. Під час роботи з електроінструментом це сприяє більш ефективному реагуванню на непередбачувані ситуації.
- f. Вдягайте відповідний робочий одяг. Одяг повинен відповідати статурі, на ньому не повинно бути звислих елементів. Під час роботи не носіть біжутерії. Слідкуйте, щоб волосся, деталі одягу та робочі рукавиці не наблизилися до рухомих частин інструмента. Рухомі частини інструмента можуть захопити звислі елементи одягу, біжутерію та довге волосся.
- g. Якщо застосовується обладнання, яке підключає засоби видалення та збирання пилу, необхідно впевнитися, що воно належним чином під'єднане та використовується. Використання обладнання для збирання пилу зменшує пов'язану з пилом потенційну небезпеку.
4. Використання електроінструмента та догляд за ним
- a. В процесі роботи з електроінструментом не докладайте надмірних зусиль. Використовуйте електроінструмент, який відповідає варіанту застосування. Використання електроінструмента з відповідними номінальними параметрами дозволяє виконати роботу краще і підвищує рівень безпеки праці.
- b. Забороняється використовувати електроінструмент з несправним вимикачем. Будь-який електроінструмент з несправним вимикачем є небезпечним і підлягає ремонту.
- c. Перед виконанням будь-яких налаштувань електроінструмента, заміни приладдя, а також при підготовці до зберігання необхідно від'єднати штепсельну вилку від мережі живлення та / або вийняти акумулятор. Ці запобіжні заходи зменшують ризик випадкового увімкнення електроінструмента.
- d. Зберігайте електроінструмент у знеструмленому стані у місцях, до яких не мають доступу діти. Не дозволяйте працювати з електроінструментом особам, які не мають навичок його використання або не ознайомлені з цим посібником користувача. Використання електроінструмента особами, які не мають відповідних навичок та знань, є небезпечним.
- e. Технічне обслуговування електроінструмента. Електроінструмент необхідно перевіряти на відсутність перекосу або заїдання рухомих деталей, ушкоджених частин та інших факторів, які можуть негативно впливати на його роботу. Якщо виявлено ушкодження, електроінструмент перед використанням необхідно відремонтувати. Неналежний технічний стан електроінструмента спричинює значну кількість нещасних випадків.
- f. Регулярно заточуйте ріжучий інструмент та тримайте його у чистоті. Належний технічний стан та гострі пруги ріжучого інструмента зменшують ймовірність того, що він застрягне, та полегшують керування ним.
- g. Використовуйте електроінструмент, додаткове приладдя, свердла, тощо у відповідності до цього посібника, враховуючи умови використання та роботу, яка має бути виконана. Використання електроінструмента не за призначенням може призвести до виникнення небезпечних ситуацій.
5. Використання електроінструмента з живленням від акумулятора та догляд за ним
- a. Для зарядження акумулятора використовуйте тільки зарядний пристрій, рекомендований виробником. Зарядний пристрій, який підходить до одного типу акумуляторів, може створити ризик пожежі при використанні з акумулятором іншого типу.
- b. Використовуйте з електроінструментом виключно ті акумулятори, які призначені до застосування саме з ним. Використання будь-яких інших акумуляторів може створити ризик травматизму та пожежі.
- c. Поблизу акумулятора, який тимчасово не використовуються, не повинно бути сторонніх металевих предметів на зразок канцелярських скріпок, монет, ключів, цвяхів, гвинтів або інших дрібних виробів з металу, які можуть спричинити коротке замикання виводів акумулятора. Коротке замикання виводів акумулятора може спричинити вибух або пожежу.

- d. Уникайте контакту з рідиною, яка за невідповідних умов використання може витікти з акумулятора. Якщо ця рідина випадково потрапила на шкіру, її необхідно змити водою. Якщо ця рідина потрапила в очі, необхідно звернутися до лікаря. Рідина, яка витікла з акумулятора, може спричинити подразнення та опіки.
6. Технічне обслуговування
- a. Технічне обслуговування електроінструмента має виконувати кваліфікований фахівець. Запасні частини мають бути повністю ідентичними тим, які первісно встановлені виробником. Це забезпечить підтримання безпечного стану електроінструмента.

### Додаткові правила безпеки при використанні електроінструмента



**Попередження!** Додаткові вимоги техніки безпеки при використанні звичайного дрільта та дрільта з ударним механізмом

- Під час роботи з дрилем, який має ударний механізм, необхідно застосовувати засоби захисту органів слуху. Вплив шуму може спричинити втрату слуху.
- Використовуйте додаткові ручки, які входять до комплексу інструмента. Втрата контролю над інструментом може спричинити травми.
- При виконанні робіт, під час яких існує небезпека контакту ріжучих пругів свердла з прихованою електропроводкою або кабелем живлення самого інструмента, тримайте дріль тільки за призначені для цього місця з ізольованою поверхнею. При контакті ріжучих пругів свердла з дротом, по якому протікає струм, металеві деталі дрилю можуть опинитися під напругою і спричинити ураження людини електричним струмом.
- При виконанні робіт з гвинтами або шурупами, під час яких існує небезпека контакту цих кріпильних деталей з прихованою електропроводкою, тримайте дріль тільки за призначені для цього місця з ізольованою поверхнею. При контакті кріпильних деталей з дротом, по якому протікає струм, металеві деталі дрилю можуть опинитися під напругою і спричинити ураження людини електричним струмом.
- Деталь, яка обробляється, має бути зафіксована у лещатах або іншим відповідним способом закріплена на надійній основі. Утримування деталі, яка обробляється, рукою або притискання її до тіла є ненадійним і може призвести до неконтрольованої ситуації

- Перед тим, як свердлити отвори у стінах, підлогах та стелі, перевірте відсутність електропроводки та труб.
- Не торкайтеся одразу після свердлення робочої частини свердла, тому що вона може мати високу температуру.
- Цей інструмент не призначений для використання особами з обмеженими фізичними можливостями (зокрема дітьми), а також особами з порушенням органів чуття, обмеженими розумовими здібностями, або такими, які мають недостатній досвід та знання, за винятком ситуацій, коли вони працюють під наглядом іншої особи, відповідальної за їхню безпеку, або отримали від такої особи відповідні інструкції щодо використання електроінструмента. Не дозволяйте дітям гратися з електроінструментом.
- У цьому посібнику користувача описані варіанти використання за призначенням. Недотримання рекомендацій цього посібника користувача під час використання аксесуарів, приладдя або виконання будь-якої роботи з цим інструментом може бути причиною травматизму та / або пошкодження майна.

### Вібрація

Значення параметрів вібрації, які наведені в технічних даних та в декларації відповідності, вимірювалися у відповідності до стандартної методики тестування, викладеної у EN 60745. Ці параметри можна використовувати для порівняння різних інструментів між собою. Наведені величини вібраційних параметрів можна також використовувати для попередньої оцінки впливу вібрації.

**Попередження!** Рівень вібрації залежить від варіанта використання електроінструмента і може відрізнятись від наведених даних. Рівень вібрації може перевищувати наведені значення.

Оцінюючи вплив вібрації з метою визначення заходів безпеки згідно з вимогами 2002/44/ EC щодо захисту працівників, які регулярно працюють з електроінструментом, необхідно брати до уваги реальні умови та способи використання цього інструменту, зокрема враховувати всі періоди робочого циклу його використання, наприклад, проміжки часу, коли інструмент вимкнено або працює без навантаження, а також час реальної роботи інструмента.

### Позначки та написи на інструменті

На інструменті є подані нижче піктограми:




**Попередження!** Користувач має прочитати цей посібник, це сприяє зменшенню ризику травматизму.

## Додаткові інструкції з техніки безпеки при використанні акумуляторів та зарядних пристроїв

### Акумулятори

- За будь-яких обставин забороняється здійснювати спроби відкрити акумулятор.
- Не допускайте контакту акумулятора з водою.
- Не тримайте акумулятори в місцях, де температура може перевищувати 40 °С.
- Під час зарядження акумулятора температура навколишнього середовища має бути від 10 °С до 40°С.
- Для зарядження акумулятора використовуйте лише зарядний пристрій, який входить до комплекту інструмента.
- При утилізації акумуляторів дотримуйтесь інструкцій, наведених у розділі „Захист навколишнього середовища“.

 Не намагайтесь заряджати пошкоджені акумулятори.

### Зарядні пристрої

- Використовуйте зарядний пристрій BLACK+DECKER лише для зарядки акумулятора, який встановлений у електроінструменті, до комплекту якого цей зарядний пристрій входить. Інші акумулятори можуть вибухнути, спричинивши травми та пошкодження.
- Ніколи не намагайтесь заряджати батареї одноразового використання.
- Пошкоджені кабелі живлення необхідно замінювати негайно.
- Не допускайте потрапляння води на зарядний пристрій.
- Не відкривайте зарядний пристрій.
- Не зондуйте зарядний пристрій.



Цей зарядний пристрій призначений лише для використання в приміщеннях.



Перед використанням прочитайте цей посібник користувача.



Зарядний пристрій автоматично відключається, якщо температура навколишнього середовища стає занадто високою. Тепловий вимикач спрацьовує лише

один раз, після чого його необхідно повністю замінити.

## Електрична безпека



Цей зарядний пристрій має подвійну ізоляцію; тому заземлення не є необхідним. Завжди перевіряйте відповідність напруги джерела живлення значенню, поданому на табличці з паспортними даними. Ніколи не намагайтесь замінити зарядний пристрій звичайним мережним штепселем.

- Якщо кабель живлення пошкоджений, для уникнення небезпеки його необхідно замінити у виробника або в офіційному сервісному центрі BLACK+DECKER.

## Деталі

Цей інструмент має деякі чи всі наведені нижче деталі.

1. Кнопка плавного регулювання швидкості обертання
2. Повзунковий регулятор напрямку обертання
3. Поворотна втулка регулювання режиму роботи / крутильного моменту
4. Затискний патрон
5. Повзунковий ступінчастий перемикач швидкості обертання
6. Гніздо для вставки-викрутки
7. Акумулятор

### Мал. А

8. Електричний з'єднувач зарядного пристрою
9. Зарядний пристрій
10. Контактна колодка зарядного пристрою

## Складання електроінструмента

Попередження! Перед складанням електроінструмента вийміть з нього акумулятор.

### Підключення та від'єднання акумулятора (мал. В та С)

- Щоб встановити акумулятор (7), вирівняйте його за направляючими з'єднувальної колодки у нижній частині корпусу інструмента. Всуňte акумулятор у відсік і притисніть до фіксації.
- Щоб зняти акумулятор, натисніть на кнопку-фіксатор (11), одночасно витягуючи акумулятор зі з'єднувальної колодки.

### Встановлення захисного ковпачка на акумулятор (мал. С)

**Попередження!** Для перенесення та зберігання акумулятора (7) встановіть на нього захисний ковпачок (12).

### Встановлення та видалення свердла або вставки-викрутки (мал. D)

Дриль має безключовий затискний патрон, який спрощує заміну свердла або вставки-викрутки.

- Заблокуйте обертання патрона, встановивши повзунковий регулятор напрямку обертання (2) у середнє положення.
- Відкрийте патрон, повертаючи його передню частину (13) однією рукою та утримуючи задню частину (14) другою рукою.
- Вставте хвостовик свердла (15) в затискний патрон та надійно затягніть його.

В комплект інструмента входить двостороння вставка-викрутка, закріплена у гнізді (6).

- Щоб вийняти вставку-викрутку з гнізда, потягніть її догори.
- Щоб закріпити вставку-викрутку у гнізді, притисніть її до фіксації.

### Зняття та установка затискного патрона (мал. E)

- Повністю відкрийте затискний патрон.
- Викрутіть стопорний гвинт патрона, повертаючи його викруткою за годинниковою стрілкою.
- Затисніть у патроні шестигранний торцевий ключ та вдарте по ньому молотком, як зображено на малюнку.
- Вийміть шестигранний торцевий ключ з затискного патрона.
- Відкрутіть та зніміть затискний патрон, повертаючи його проти годинникової стрілки.
- Щоб знову встановити затискний патрон, накрутіть його на шпindel та закріпіть стопорним гвинтом.

### Залишкові ризики

Додаткові залишкові ризики можуть виникнути при використанні інструменту, який не включено до наведених попереджень з техніки безпеки. Ці ризики можуть виникнути через невірне використання, тривале використання, тощо.

Незважаючи на виконання всіх відповідних правил техніки безпеки та використання пристроїв безпеки, неможливо уникнути деяких залишкових ризиків. До них належать:

- Травми через контакт з деталями, що рухаються / обертуються.
- Травми, які виникають при заміні будь-яких частин, деталей з гострими пругами або приладдя.
- Травми через занадто тривале використання інструменту. При використанні будь-якого інструменту протягом тривалого періоду часу робіть регулярні перерви.
- Погіршення слуху.
- Небезпека для здоров'я через вдихання пилу, що утворюється при використанні інструменту (наприклад, при роботі з деревиною, особливо з дубом, березою та ДВП).

### Використання

**Попередження!** Інструмент має працювати з нормальною швидкістю обертання. Не перевантажуйте його.

**Попередження!** Перед свердленням стін, підлоги та стелі перевірте відсутність електропроводки та труб у місці виконання отвору.

### Зарядження акумулятора (мал. A & F)

Акумулятор необхідно зарядити перед першим використанням, та в подальшому заряджати його, коли стає відчутним недостатня потужність електроінструмента при виконанні операцій, які раніше виконувалися легко. При першому зарядженні, або після тривалого періоду невикористання акумулятор заряджається лише на 80%. Повна сміність акумулятора досягається після кількох циклів зарядки та розрядки. Під час зарядки температура акумулятора може дещо підвищитися, це звичайне явище не є ознакою несправності.

**Попередження!** Не заряджайте акумулятор при температурі навколишнього середовища нижче 10 °C або вище 40 °C. Рекомендується заряджати акумулятор при температурі приблизно 24 °C.

### Використання зарядного пристрою

- Для зарядження акумулятора (7) вийміть його з дреля та підключіть до контактної колодки зарядного пристрою (10).



- Підключіть зарядний пристрій (9) до розетки мережі живлення.

Під час зарядки температура акумулятора дещо підвищується. Впродовж приблизно 3 годин акумулятор заряджається до рівня, достатнього для звичайного режиму використання. Повне зарядження акумулятора триває приблизно 8 - 10 годин.

- Від'єднайте контактну колодку зарядного пристрою від акумулятора.

### Зарядний пристрій з циліндричним з'єднувачем

- Акумулятор під час зарядження повинен бути встановлений у дріль.
- Вставте циліндричний з'єднувач (8) зарядного пристрою у призначене для нього гніздо.
- Підключіть зарядний пристрій до розетки мережі живлення.
- Увімкніть живлення розетки.

За нормальних умов використання зарядження впродовж 3 годин забезпечує достатній рівень заряду акумулятора для більшості варіантів застосування. Однак, триваліше зарядження протягом до 6 годин дає змогу значно подовжити час використання дріля в залежності від

стану акумулятора та умов зарядження.

- Від'єднайте дріль від зарядного пристрою.

Попередження! Забороняється працювати інструментом, який підключений до зарядного пристрою.

### Вибір напрямку обертання (мал. G)

Для свердлення та закручування шурупів встановіть напрямок обертання за годинниковою стрілкою. Для викручування шурупів та щоб витягти застрягле свердло, встановіть зворотній напрямок обертання (проти годинникової стрілки).

- Щоб встановити напрямок обертання за годинниковою стрілкою, посуňte повзунок перемикача напрямку обертання (2) ліворуч.
- Щоб встановити напрямок обертання проти годинникової стрілки, посуňte повзунок перемикача напрямку обертання праворуч.
- Щоб заблокувати обертання патрона, поставте повзунок перемикача напрямку обертання в центральне положення.

### Вибір режиму роботи або крутильного моменту (мал. H)

Дріль оснащений поворотною втулкою, яка призначена для вибору режиму роботи та крутильного моменту затягнення гвинтів. Чим більший діаметр гвинтів та чим твердіший матеріал деталі, тим більше потрібна величина крутильного моменту. За допомогою втулки можна змінювати крутильний момент у широкому діапазоні регулювання, що дає можливість підібрати необхідне значення для конкретного варіанта використання інструмента.

- Для свердлення кам'яних або цегляних стін оберіть за допомогою втулки (3) режим ударного свердлення, розташувачи позначку **A** проти стрілки (16).
- Для роботи з гвинтами або шурупами відрегулюйте за допомогою втулки необхідне значення крутильного моменту. Якщо оптимальне значення невідомо, дійте наступним чином:
  - Встановіть втулку (3) у положення мінімального крутильного моменту.
  - Затягніть перший гвинт.
  - Якщо заскочний механізм патрона спрацьовує до того, як досягнуто бажаний результат, збільшити крутильний момент і спробуйте знову затягнути гвинт. Повторюючи ці дії, встановіть правильне значення. Всі інші гвинти затягуйте з встановленим крутильним моментом.

### Свердлення кам'яних або цегляних стін (мал. H & I)

- Для свердлення кам'яних або цегляних стін оберіть за допомогою втулки (3) режим ударного свердлення, розташувачи позначку **T** проти стрілки (16).
- Перемістіть повзунковий ступінчастий перемикач швидкості обертання (5) в напрямку передньої частини інструмента (2-га передача).

### Повзунковий ступінчастий перемикач швидкості обертання (мал. I)

- Для свердлення сталі та для роботи з викруткою встановіть повзунковий ступінчастий перемикач швидкості обертання (5) у заднє положення (1-ша передача).
- Для свердлення отворів у інших матеріалах крім сталі встановіть регулятор швидкості обертання (5) у переднє положення (2-га передача).

### Свердлення / використання викрутки

- Встановіть необхідний напрямок обертання за допомогою повзункового перемикача (2).

- Щоб ввімкнути інструмент, натисніть на кнопку плавного регулювання швидкості обертання(1). Швидкість обертання регулюється силою тиску на кнопку.
- Щоб вимкнути інструмент, відпустіть кнопку плавного регулювання швидкості.

## Примітки для оптимального використання

### Свердлення

- Завжди злегка натискайте на дріль, спрямовуючи силу вздовж осі свердла.
- Безпосередньо перед тим, як кінець свердла з'явиться з іншої сторони деталі, зменшіть тиск на дріль.
- Для запобігання розколюванню деталі підкладіть під неї дерев'яний брусок.
- Для свердлення отворів великого діаметра у деревині використовуйте перове або ложкове свердло.
- Для свердлення металу використовуйте швидкорізні свердла.
- Для свердлення стін з м'якого каменя або цегли використовуйте алмазні свердла.
- При свердленні отворів у металах, крім чавуну та латуні, використовуйте мастило.
- Для більшої точності намітьте кернером центр майбутнього отвору.

### Використання викрутки

- Завжди використовуйте правильний тип та розмір викрутки-вставки.
- Якщо гвинти або шурупи важко затягуються, спробуйте злегка змастити їх миючою рідиною або милом.
- Завжди тримайте інструмент та викрутку- вставку вздовж осі гвинта.

## Технічне обслуговування

Дріль BLACK+DECKER призначений для роботи протягом довгого часу з мінімальним обсягом технічного обслуговування. Тривала нормальна робота інструмента залежить від правильного догляду за ним та очищення.

Зарядний пристрій не вимагає технічного обслуговування, його лише необхідно регулярно очищувати.

**Попередження!** Перед виконанням будь-якого обслуговування необхідно вийняти з інструмента акумулятор. Перед очищенням зарядного пристрою його необхідно відключити від розетки.

- Регулярно очищуйте вентиляційні прорізи за допомогою м'якої щітки або сухої ганчірки.
- Регулярно очищуйте корпус електродвигуна вологою ганчіркою. Не використовуйте абразивні очищувачі та засоби, що містять розчинники.
- Регулярно відкривайте затискний патрон та струшуйте його, щоб видалити пил з середини.

## Акумулятори



Акумулятори виробництва компанії BLACK+DECKER можна перезаряджати багаторазів. При утилізації акумуляторів, які стали непридатними до використання, дотримуйтесь правил безпеки навколишнього середовища:

- Перед тим, як вийняти акумулятор з інструмента, необхідно повністю розрядити його в процесі роботи.
- Нікель-кадмієві (NiCd), нікель-металогідридні (NiMH) та літєво-іонні (Li-Ion) акумулятори придатні до вторинної переробки. Віднесіть їх до будь-якого авторизованого ремонтного центра або на місцеву переробну станцію.

## Технічні дані

		EPC126(H)	EPC146 (H)	EPC186 (H)
Напруга Швидкість обертання в режимі без навантаження	В <sub>пост.</sub> струму об. / хв.	12	14,4	18
Макс. крутильний момент свердла. Найбільший діаметр яке можна затиснути у патроні	Нм	0-450/ 0-1400	0-450/ 0-1500	0-400/ 0-1350
Максимальна глибина свердління	мм	10	10	10
Сталь / деревина	мм	10/25	10/25	10/25
Акумулятор		A12/A12E	A14/A14E	A18/A18E
Ємність	Ампер-годин	1,0	1,0	1,0
Тип		NiCd	NiCd	NiCd
Вага	кг	0,5	0,6	0,7
Акумулятор		A12NH	A14NH	A18NH
Ємність	Ампер-годин	1,5	1,5	1,5
Тип		NiMH	NiMH	NiMH
Вага	кг	0,6	0,7	0,9

**Зарядний пристрій**

		90500843	90500844	90500845
		90500847	90500848	90500849
		90500855	90500856	90500857
		90500858	90500859	90500860
Вхідна напруга	V <sub>змінн. струму</sub>	230-240	230-240	230-240
Вихідна напруга	V <sub>пост. струму</sub>	14,5-15,3	17,4-18,2	21,75-22,6
Струм	мА	210-220	200-210	210-230
Орієнтовний час зарядження	годин	8-10	8-10	8-10

		ERC128(H1)	ERC148 (H1)	ERC188 (H1)
Напруга Швидкість обертання в режимі без навантаження	V <sub>пост. струму</sub> об. / хв.	12	14,4	18
Макс. крутильний момент свердла, Найбільший діаметр яке можна затиснути у патроні мм	Нм	0-450/ 0-1400	0-450/ 0-1500	0-400/ 0-1350
Максимальна глибина свердління	мм	18	22	25
Сталь / дерева	мм	10	10	10
Кам'яна або цегляна стіна	мм	10/25	10/25	10/25
	мм	10	10	10

Акумулятор		A12/A12E	A14/A14E	A18/A18E
Ємність	Ампер-годин	1,0	1,0	1,0
Тип		NiCd	NiCd	NiCd
Вага	кг	0,5	0,6	0,7
Акумулятор		A12NH	A14NH	A18NH
Ємність	Ампер-годин	1,5	1,5	1,5
Тип		NiMH	NiMH	NiMH
Вага	кг	0,6	0,7	0,9

**Зарядний пристрій**

		90500843	90500844	90500845
		90500847	90500848	90500849
		90500855	90500856	90500857
		90500858	90500859	90500860
Вхідна напруга	V <sub>змінн. струму</sub>	230-240	230-240	230-240
Вихідна напруга	V <sub>пост. струму</sub>	14,5-15,3	17,4-18,2	21,75-22,6
Струм	мА	210-220	200-210	210-230
Орієнтовний час зарядження	годин	8-10	8-10	8-10

**Рівень звукового тиску згідно з EN 60745:**

Звуковий тиск ( $L_{pA}$ ) 87 дБ(A), похибка (K) 3 дБ(A)  
 Звукова потужність ( $L_{WA}$ ) 98 дБ(A), похибка (K) 3 дБ(A)

**Загальні значення вібрації (векторна сума трьох векторів) згідно з EN 60745:**

Ударне свердління бетону ( $a_{h, ID}$ ) 11,4 м/с<sup>2</sup>, похибка (K) 1,5 м/с<sup>2</sup>, Свердління метала ( $a_{h, D}$ ) <2,5 м/с<sup>2</sup>, похибка (K) 1,5 м/с<sup>2</sup>, Використання викрутки без удару ( $a_{h, S}$ ) <2,5 м/с<sup>2</sup>, похибка (K) 1,5 м/с<sup>2</sup>

**Декларація відповідності ЄС**

ДИРЕКТИВА ДЛЯ МЕХАНІЧНОГО ОБЛАДНАННЯ



**ERC126/ERC146/ERC186**  
**ERC148/ERC148/ERC188**

Компанія BLACK+DECKER заявляє, що продукти, описані в розділі „Технічні дані“ відповідають: 2006/42/EC, EN 60745-1, EN 60745-2-1.

Для отримання додаткової інформації, будь ласка, зверніться до компанії BLACK+DECKER за поданою нижче адресою або прочитайте інформацію на зворотній стороні цього керівництва.

Особа, яка поставила свій підпис нижче, є відповідальною за упорядкування файлу технічних характеристик та за цю декларацію компанії BLACK+DECKER.

**Кевін Хьюїт (Kevin Hewitt)**

Віце-президент  
 з глобальних розробок  
 BLACK+DECKER Europe,  
 210 Bath Road, Slough,  
 Berkshire, SL1 3YD  
 Великобританія  
 09.2015

## Захист навколишнього середовища



Окреме збирання. Цей продукт не можна викидати разом зі звичайним побутовим сміттям.

Якщо якось ви вирішите, що ваш виріб фірми BLACK+DECKER має бути замінено, або він вам більше не потрібний, не викидайте його на смітник побутового сміття. Зробіть цей виріб доступним для спеціального збирання.



Окремий збір використаних виробів та упаковки дозволяє повторно переробляти та використовувати матеріали. Переробка

повторно використовуваних матеріалів допомагає попередити забруднення навколишнього середовища та зменшує потребу в сировині.

Місцеві законодавчі акти можуть передбачати окремий збір електричного обладнання в муніципальних місцях для збору сміття або продавцями при покупці нового обладнання.

Компанія BLACK+DECKER має можливість для збору та переробки продуктів власного виробництва після закінчення їхнього терміну служби. Щоб скористатися цією послугою, поверніть виріб компанії в офіційний сервісний центр, які збирають відпрацьовані продукти за наш рахунок.

Ви можете знайти місцезнаходження найближчого до Вас сервісного центру, зв'язавшись з місцевим офісом компанії BLACK+DECKER за адресою, вказаною в цих інструкціях. Крім того, список офіційних сервісних центрів компанії BLACK+DECKER з усіма подробицями нашого післяпродажного обслуговування та контактною інформацією міститься в Інтернеті за адресою: [www.2helpU.com](http://www.2helpU.com).

## Гарантійні зобов'язання

Black + Decker впевнена в якості своїх виробів та надає виняткову гарантію. Дана заява про гарантії доповнює і ні в якій мірі не порушує ваші законні права.

Якщо продукт виробництва Black + Decker прийде в непридатність внаслідок неякісних матеріалів, неякісного виготовлення або невідповідності вимогам, BLACK+DECKER гарантує в межах 24-х місяців з дати продажу виконувати заміну дефектних деталей, виконувати ремонт виробів, які зазнали природного зносу, або виконувати заміну таких виробів, для зведення до мінімуму незручностей для покупця, за винятком перерахованих нижче випадків:

- Даний продукт був використаний для продажу, на промислових роботах або здавався на прокат.
- Даний продукт використовувався неправильно або без належного догляду.
- Даному продукту було завдано збитків сторонніми предметами, речовинами або внаслідок надзвичайної події.
- Була здійснена спроба ремонту продукту особами, які не є уповноваженими представниками з ремонту або ремонтно-обслуговуючим персоналом Black + Decker.

Щоб заявити претензію по гарантії, необхідно буде надати підтвердження покупки продавцю або уповноваженому представнику з ремонту. Ви можете дізнатися адресу вашого найближчого уповноваженого представника з ремонту, зателефонувавши в регіональне представництво BLACK+DECKER, вказане в цій інструкції. Крім того, список уповноважених представників з ремонту BLACK+DECKER, детальну інформацію про обслуговування після продажу та контактні дані можна знайти на сайті [www.2helpU.com](http://www.2helpU.com).



Гарантійні умови

Шановний покупець!

1. Вітаємо Вас з покупкою високоякісного виробу BLACK + DECKER і висловлюємо вдячність за Ваш вибір.
2. При покупці виробу вимагайте перевірки його комплекtnості і справності у Вашій присутності, інструкцію з експлуатації та заповнений гарантійний талон українською мовою

В гарантійному талоні повинні бути внесені: модель, дата продажу, серійний номер, дата виробництва інструменту; назва, печатка і підпис торгової організації. За відсутності у Вас правильно заповненого гарантійного талону, а також при невідповідності зазначених у ньому даних ми будемо змушені відхилити Ваші претензії щодо якості даного виробу.

3. Щоб уникнути непорозумінь, переконливо просимо Вас перед початком роботи з виробом уважно ознайомитися з інструкцією з його експлуатації. Правовою основою справжніх гарантійних умов є чинне Законодавство. Гарантійний термін на даний виріб складає 24 місяці і обчислюється з дня продажу. У разі усунення недоліків виробу, гарантійний строк продовжується на період його перебування в ремонті. Термін служби виробу становить 5 років з дня продажу.
4. У разі виникнення будь-яких проблем у процесі експлуатації виробу рекомендуємо Вам звертатися тільки в уповноважені сервісні центри BLACK + DECKER, адреси та телефони яких Ви зможете знайти в гарантійному талоні, на сайті [www.2helpU.com](http://www.2helpU.com) або дізнатися в магазині. Наші сервісні станції - це не тільки кваліфікований ремонт, але і широкий асортимент запчастин і аксесуарів.
5. Виробник рекомендує проводити періодичну перевірку і технічне обслуговування виробу в уповноважених сервісних центрах.
6. Наші гарантійні зобов'язання поширюються тільки на несправності, виявлені протягом гарантійного терміну і викликані дефектами виробництва та \ або матеріалів.
7. Гарантійні умови не поширюються на несправності виробу, що виникли в результаті:
  - 7.1 Недотримання користувачем приписів інструкції з експлуатації виробу, застосування виробу не за призначенням, неправильного зберігання, використання приладдя, витратних матеріалів і запчастин, що не передбачені виробником.
  - 7.2 Механічного пошкодження (відколи, тріщини і руйнування) внутрішніх і зовнішніх деталей виробу, основних і допоміжних рукояток, мережевого кабелю, що викликані зовнішнім ударним або будь-яким іншим впливом

- 7.3 Потрапляння у вентиляційні отвори та проникнення всередину виробу сторонніх предметів, матеріалів або речовин, що не є відходами, які супроводжують застосування виробу за призначенням, такими як: стружка, тирса, пісок, та ін.
- 7.4 Впливу на виріб несприятливих атмосферних і інших зовнішніх факторів, таких як дощ, сніг, підвищена вологість, нагрівання, агресивні середовища, невідповідність параметрів електромережі, що зазначені на інструменті.
- 7.5 Стихійного лиха. Пошкодження або втрати виробу, що пов'язані з непередбаченими лихами, стихійними явищами, у тому числі внаслідок дії непереборної сили (пожежа, блискавка, потоп і інші природні явища), а також внаслідок перепадів напруги в електромережі та іншими причинами, які знаходяться поза контролем виробника.
8. Гарантійні умови не поширюються:
  - 8.1 На інструменти, що піддавались розкриттю, ремонту або модифікації поза уповноваженим сервісним центром.
  - 8.2 На деталі, вузли та матеріали, що мають сліди природного зносу, такі як: приводні ремені і колеса, вугільні шітки, мастило, підшипники, зубчасті зчеплення редукторів, гумові ущільнення, сальники, направляючі ролики, муфти, вимикачі, бойки, штовхачі, стволи тощо.
  - 8.3 На змінні частини: патрони, цанги, затискні гайки і фланці, фільтри, акумуляторні батареї, ножи, шліфувальні підшви, ланцюги, зірочки, пильні шини, захисні кожухи, пилки, абразиви, пильні і абразивні диски, фрези, свердла, бури тощо
  - 8.4 На несправності, що виникли в результаті переважання інструменту (як механічного, так і електричного), що спричинили вихід з ладу одночасно двох і більше деталей і вузлів, таких як: ротора і статора, обох обмоток статора, веденої і ведучої шестерень редуктора або інших вузлів і деталей. До безумовних ознак переважання виробу відносяться, крім інших: поява кольорів мінливості, деформація або оплавлення деталей і вузлів виробу, потемніння або обуглювання ізоляції проводів електродвигуна під впливом високої температури.



Виробник:  
"Stanley BLACK+DECKER Deutschland GmbH" Black-&-Decker Str.40, D-65510 Idstein, Німеччина

## الضمان

## حماية البيئة

تتفق بلاك أند ديكر بجودة منتجاتها وتقدم ضماناً مميّزاً. ويكون بيان الضمان هذا بالإضافة ولا يخل بأي حال من الأحوال بالحقوق القانونية.

تجميع منفصل. يجب عدم إلقاء هذا المنتج مع المخلفات المنزلية.



إذا تبين لك في أحد الأيام بأنه يجب تبديل جهاز بلاك أند ديكر الخاص بك أو لم تعد بحاجة لاستخدامه. لا تتخلص منه مع المخلفات المنزلية. وقم بتوفير هذا المنتج للتجميع المنفصل.

إذا أصبح منتج بلاك أند ديكر معيباً بسبب عيوب المواد والصناعة وعدم المطابقة، تضمن بلاك أند ديكر في غضون ٢٤ شهراً من تاريخ الشراء استبدال الأجزاء المعيبة وإصلاح المنتجات مع مراعاة البلي باستخدام العادي أو استبدال هذه المنتجات للتأكد من رضا العملاء ما لم:

يمكن التجميع المنفصل للمنتجات والعبوات المستخدمة من إعادة تدوير المواد واستخدامها مرة



أخرى، إذ يساعد إعادة استخدام المواد المعاد تدويرها على منع التلوث البيئي وخفض الطلب على المواد الخام

• تم استخدام المنتج لأغراض تجارية أو مهنية أو للتأجير.

• إهمال أو إساءة استخدام المنتج.

• تعرض المنتج لتلف بسبب مواد أو أغراض غريبة أو الحوادث.

قد تنص التشريعات المحلية على تجميع منفصل للمنتجات الكهربائية عن المخلفات المنزلية في مواقع مخلفات البلدية أو تاجر التجزئة عند شراء منتج جديد.

• محاولة إجراء عمليات الإصلاح من قبل الأشخاص الآخرين بخلاف وكلاء الإصلاح المصرح بهم أو فريق الخدمة التابع لبلاك أند ديكر.

توفر بلاك أند ديكر منشأة لتجميع وإعادة تدوير منتجات بلاك أند ديكر عند وصول تلك المنتجات لنهاية عمرها النافع. وللاستفادة من هذه الخدمة، يرجى إعادة المنتج إلى أي وكيل إصلاح معتمد الذي سيقوم بتجميع المنتجات نيابة عنا.

للمطالبة بالضمان، يجب تقديم إثبات الشراء للبائع أو وكيل البيع المعتمد. ويمكنك معرفة مكان أقرب وكيل إصلاح معتمد بمراجعة مكتب بلاك أند ديكر المحلي في العنوان المشار إليه في الدليل. كما تتوفر قائمة بوكلاء الإصلاح المعتمدين لدى بلاك أند ديكر وبيانات خدمات ما بعد البيع والاتصال على الموقع الإلكتروني: [www.2helpU.com](http://www.2helpU.com).

يمكنك معرفة مكان أقرب وكيل إصلاح معتمد بمراجعة مكتب بلاك أند ديكر المحلي في العنوان المشار إليه في الدليل. كما تتوفر قائمة بوكلاء الإصلاح المعتمدين لدى بلاك أند ديكر وبيانات خدمات ما بعد البيع والاتصال على الموقع الإلكتروني: [www.2helpU.com](http://www.2helpU.com).

مستوى ضغط الصوت وفقاً للمواصفة EN ٦٠٧٤٥:	
ضغط الصوت ( $L_{pA}$ ) ٨٧ ديسيبل (A)، الشك (K) ٣ ديسيبل (A)	١,٠
طاقة الصوت ( $L_{WA}$ ) ٩٨ ديسيبل (A)، الشك (K) ٣ ديسيبل (A)	٠,٧
إجمالي قيم الاهتزاز وفقاً للمواصفة EN ٦٠٧٤٥:	
تأثير الحفر في الخرسانة ( $a_{HD}$ ) $> ١١,٤$ متر/ثانية <sup>٢</sup> ، الشك (K) ١,٥ متر/ثانية <sup>٢</sup>	١,٥
الحفر في المعدن ( $a_{HD}$ ) $> ٢,٥$ متر/ثانية <sup>٢</sup> ، الشك (K) ١,٥ متر/ثانية <sup>٢</sup>	٠,٩
الفك بدون صدم ( $a_{HD}$ ) $> ٢,٥$ متر/ثانية <sup>٢</sup> ، الشك (K) ١,٥ متر/ثانية <sup>٢</sup>	٠,٧

البطارية	A18/A18E	A14/A14E	A12/A12E	السعة
النوع	كربيد النيكل	كربيد النيكل	كربيد النيكل	أمبير ساعة
الوزن	٠,٧	٠,٦	٠,٥	كيلو غرام
البطارية	A18NH	A14NH	A12NH	السعة
النوع	الهيدريد المعدني	الهيدريد المعدني	الهيدريد المعدني	أمبير ساعة
الوزن	٠,٩	٠,٧	٠,٦	كيلو غرام

### بيان التوافق مع المجموعة الأوروبية مواصفة الماكينات



EPC126/EPC146/EPC186  
EPC148/EPC148/EPC188

شركة BLACK+DECKER تقر فيما يلي على أن هذه المنتجات الموضحة أسفل بند "البيانات الفنية" متوافقة مع المواصفات: EN ٦٠٧٤٥-١-٢ و EN ٦٠٧٤٥-١ و EC/٤٢/٢٠٠٦

للحصول على مزيد من المعلومات فيرجى الاتصال بشركة BLACK+DECKER على العنوان التالي أو الرجوع إلى ظهر الدليل.

الموقع أدناه مسئول عن الإيفاء بإتمام الملف الفني وإخراج هذا الإقرار بالنيابة عن شركة BLACK+DECKER.

K. Hewitt

### كيفن هيويت

نائب رئيس شركة BLACK+DECKER الهندسية العالمية في أوروبا، 210 طريق بات، سلو، بيركشاير، المملكة المتحدة  
09.2015

٩٠٥٠٠٨٤٥	٩٠٥٠٠٨٤٤	٩٠٥٠٠٨٤٣	
٩٠٥٠٠٨٤٩	٩٠٥٠٠٨٤٨	٩٠٥٠٠٨٤٧	
٩٠٥٠٠٨٥٧	٩٠٥٠٠٨٥٦	٩٠٥٠٠٨٥٥	
٩٠٥٠٠٨٦٠	٩٠٥٠٠٨٥٩	٩٠٥٠٠٨٥٨	
٢٤٠-٢٣٠	٢٤٠-٢٣٠	٢٤٠-٢٣٠	فلطية الدخل
٢٢,٦-٢١,٧٥	١٨,٢-١٧,٤	١٥,٣-١٤,٥	خرج الجهد الكهربائي
٢٣٠-٢١٠	٢١٠-٢٠٠	٢٢٠-٢١٠	التيار
			زمن الشحن
١٠-٨	١٠-٨	١٠-٨	ساعة

EPC188 (H1)	EPC148 (H1)	EPC128 (H1)	تيار مستمر
١٨	١٤,٤	١٢	فولت
/٤٥٠٠٠	/٤٥٠٠٠	/٤٥٠٠٠	سرعة اللاحمل
١٣٥٠٠٠	١٥٠٠٠٠	١٤٠٠٠٠	الأكصى العزم
٢٥	٢٢	١٨	سعة الطرف
١٠	١٠	١٠	سعة الثقب القصوى
٢٥/١٠	٢٥/١٠	٢٥/١٠	صلب/خشب
١٠	١٠	١٠	البناء

البطارية	A18/A18E	A14/A14E	A12/A12E	السعة
النوع	كربيد النيكل	كربيد النيكل	كربيد النيكل	أمبير ساعة
الوزن	٠,٧	٠,٦	٠,٥	كيلو غرام
البطارية	A18NH	A14NH	A12NH	السعة
النوع	الهيدريد المعدني	الهيدريد المعدني	الهيدريد المعدني	أمبير ساعة
الوزن	٠,٩	٠,٧	٠,٦	كيلو غرام

٩٠٥٠٠٨٤٥	٩٠٥٠٠٨٤٤	٩٠٥٠٠٨٤٣	
٩٠٥٠٠٨٤٩	٩٠٥٠٠٨٤٨	٩٠٥٠٠٨٤٧	
٩٠٥٠٠٨٥٧	٩٠٥٠٠٨٥٦	٩٠٥٠٠٨٥٥	
٩٠٥٠٠٨٦٠	٩٠٥٠٠٨٥٩	٩٠٥٠٠٨٥٨	
٢٤٠-٢٣٠	٢٤٠-٢٣٠	٢٤٠-٢٣٠	فلطية الدخل
٢٢,٦-٢١,٧٥	١٨,٢-١٧,٤	١٥,٣-١٤,٥	خرج الجهد الكهربائي
٢٣٠-٢١٠	٢١٠-٢٠٠	٢٢٠-٢١٠	التيار
			زمن الشحن
١٠-٨	١٠-٨	١٠-٨	ساعة

خط مستقيم مع البرغي.

### الصيانة

تم تصميم أداة **BLACK+DECKER** لكي تعمر لفترة طويلة بأقل قدر من الحاجة للصيانة. ويعتمد استمرار الجهاز في أداء عمله على النحو المرضي على العناية المناسبة و التنظيف المنتظم.

شاحنك لا يتطلب أية صيانة سوى التنظيف الدوري المستمر.

تحذير! قبل إجراء الصيانة على الأداة احرص على خلع البطارية من الأداة. افصل الشاحن قبل تنظيفه.

• قم بتنظيف منافذ التهوية بانتظام في أداك ونظف الشاحن باستخدام فرشاة ناعمة أو قطعة قماش جافة.

• نظف علبة المحرك بانتظام بقطعة قماش مبللة. لا تستخدم المنظفات الكاشطة أو المذيبة.

### البطاريات

يمكن إصلاح بطاريات **BLACK+DECKER** عند أي وكيل إصلاح معتمد أو محطة إعادة تدوير محلية.



• استنفد طاقة البطارية بالكامل، ثم استخرجها من الجهاز.

• بطاريات النيكل كادميوم "**NiCd**" ونيكل الهيدريد المعدني "**NiMH**" والليثيوم أيون "**Li-Ion**" قابلة لإعادة التدوير. سلمها لأي وكيل إصلاح معتمد أو محطة إعادة تدوير محلية.

### البيانات الفنية

EPC186 (H1)	EPC146 (H1)	EPC126 (H1)		
١٨	١٤,٤	١٢	فولت	تيار مستمر
/٤٠٠-٠	/٤٥٠-٠	/٤٥٠-٠	$\text{min}^{-1}$	سرعة اللاحمل
١٣٥٠-٠	١٥٠٠-٠	١٤٠٠-٠		
٢٥	٢٠	١٨	نانومتر	الأقصى العزم
١٠	١٠	١٠	ملم	سعة الظرف
				سعة الثقب القصوى
٢٥/١٠	٢٥/١٠	٢٥/١٠	ملم	صلب/خشب

• الحفر في مواد أخرى عدا الصلب ، قم بتحريك قرص السرعة (٥) نحو الجزء الأمامي للأداة (الترس الثاني).

### المثقاب/المفك

• اختر وضع التدوير للأمام أو الخلف باستخدام الزر الانزلاقي للأمام/الخلف (٢).

• لتشغيل الأداة اضغط على المفتاح (١). سرعة الأداة تعتمد على فترة الضغط على الزر.

• لغرض إطفاء الأداة حرر مفتاح التفعيل.

### نقاط خاصة بالاستخدام الأمثل

#### الثقب

• احرص دائمًا على ممارسة ضغط خفيف في خط متواز مع رأس الثقب.

• فقط قبل أن ينفذ رأس الثقب عبر الجانب الآخر لقطعة الشغل قلل الضغط على الأداة.

• استخدم قطعة خشبية لتدعيم قطع الشغل التي يمكن أن تشقق.

• استخدم الرؤوس المجرفة عند القيام بالثقب لعمل فجوات كبيرة القطر في الخشب.

• استخدم رؤوس المثقاب **HSS** عند الثقب في المعادن.

• استخدم رؤوس الأبنية عند الثقب في الأبنية الحرة.

• استخدم مادة تشحيم عند القيام بثقب أنواع معادن أخرى غير حديد الزهر والنحاس.

• قم بعمل تلميم باستخدام خرامة مركزية في وسط الحفرة المراد ثقبها لتحسين درجة الدقة.

#### إدارة البراغي

• احرص دائمًا على استخدام النوع والمقاس الصحيحين لرأس المفك.

• إذا كان من الصعب إحكام ربط البراغي فحاول إضافة كمية قليلة من سائل الغسل أو الصابون كمشمح.

• احرص دائمًا على الإمساك برأس الأداة والمفك في



تحذير! لا تشحن البطارية في درجات الحرارة المحيطة الأدنى من ١٠°م أو الأعلى من ٤٠°م. درجة حرارة الشحن الموصى بها: تقريباً ٢٤°م.

#### استعمال الشاحن

- لغرض شحن البطارية (٧) اخلعه من الأداة وحرك وعاء الشاحن (١٠) على البطارية.
- وصل الشاحن (٩) بشبكة التيار الكهربائي.

سوف تصبح البطارية ساخنة عند التشغيل. بعد حوالي ٣ ساعات من الشحن تقريباً ستصبح البطارية مشحونة بما فيه الكفاية

للاستخدام في التطبيقات العادية.

بعد حوالي ٨-١٠ ساعات تقريباً من الشحن، ستصبح البطارية مشحونة بالكامل.

- قم بإزالة وعاء الشحن من البطارية.

#### الشحن بقباس الشحن

- لشحن البطارية فتتحقق من أنها مركبة على الأداة.

- أدخل قابس الشاحن (٨) في الموصل.

- قم بتوصيل الشاحن بشبكة التيار الكهربائي.

- وصله بشبكة التيار الكهربائي.

بعد الاستخدام العادي فيمكن الحصول على قدر كاف من الطاقة الكهربائية تفي لتلبية أغلب التطبيقات عند الشحن لفترة ٣ ساعات. وعلى أية حال فإن استمرار الشحن لفترة ٦ ساعات يمكن أن تزيد من فترة الاستخدام بشكل ملحوظ، بحسب ظروف البطارية والشحن.

- افصل الأداة من الشاحن.

تحذير! لا تستخدم الأداة بينما هي موصلة بالشاحن.

#### اختيار اتجاه الدوران (الشكل G)

لغرض الثقب ولإحكام ربط البراغي استخدم خاصية الدوران للأمام (في اتجاه عقارب الساعة). لغرض تحرير البراغي أو خلع رأس الثقب المحشور استخدم خاصية الدوران العكسي (في عكس اتجاه عقارب الساعة).

- لاختيار وضع الدوران للأمام ادفع الزر الانزلاقي

للأمام/الخلف (٢) إلى الجانب الأيسر.

- لاختيار وضع الدوران العكسي ادفع الزر الانزلاقي للأمام/الخلف إلى الجانب الأيمن.

- لغلغ الأداة اضبط وضع الزر الانزلاقي للأمام/الخلف إلى الوضع المركزي.

#### اختيار وضع أو عزم التشغيل (الشكل H)

يتم تركيب هذه الأداة بحلقة معدنية لاختيار وضع التشغيل ولغرض ضبط عزم إحكام ربط البراغي. الطويلة وقطع الشغل الصلبة تتطلب وضع ضبط بعزم أعلى من ذلك المطلوب للبراغي القصيرة وقطع الشغل الناعمة. الحلقة تتسم بنطاق واسع من الإعدادات للتواءم مع تطبيقك.

- لغرض الحفر في الخشب والمعادن والبلاستيك فاضبط الحلقة (٣) مع وضع الحفر من خلال محاذاة الرمز مع العلامة (١٦).

- لغرض الربط فاضبط الحلقة على وضع الضبط المرغوب. إن لم تكن تعرف بعد وضع الضبط المناسب، فتصرف كالتالي:

– اضبط الحلقة (٣) على أدنى عزم ممكن.

– أحكم ربط البرغي أولاً.

– إذا ارتفع القابض قبل تحقيق النتيجة المرغوبة فقم بزيادة وضع ضبط الحلقة واستمر في إحكام ربط البرغي. استمر في تكرار هذه الخطوة إلى أن تصل إلى وضع الضبط الصحيح. استخدم وضع الضبط هذا مع البراغي المتبقية.

#### الثقب في الأبنية (الشكل I و H)

- لغرض الحفر في الخشب والمعادن والبلاستيك فاضبط الحلقة (٣) مع وضع الحفر من خلال محاذاة الرمز مع العلامة (١٦).

- قم بتحريك قرص اختيار السرعة (٥) نحو واجهة الأداة (الترس ٢)

#### قرص اختيار السرعة

- الحفر في الصلب ولتنفيذ تطبيقات الربط/الفك، قم بتحريك قرص السرعة (٥) نحو الجزء الخلفي للأداة (الترس الأول).

## التجميع

- اخلع مفتاح ألين.
- اخلع الظرف من خلال إدارته في عكس اتجاه عقارب الساعة.
- لإعادة تركيب الظرف اربطه في محور الدوران وأمنه باستخدام البرغي المثبت للظرف.

تركيب البطارية وخلعها (الشكل B و C)

- لغرض تركيب البطارية (٧) فقم بمحاذاتها مع العلبة على الأداة. قم بتحريك البطارية إلى داخل العلبة وادفعها إلى أن تثبت البطارية في موضعها.

- لخلع البطارية ادفع زر الفتحة (١١) بينما يتم في الوقت ذاته دفع البطارية إلى خارج العلبة.

تركيب غطاء البطارية (الشكل C)

- تحذيراً: ركب الغطاء (١٢) على البطارية (٧) لأغراض النقل والتخزين.

تركيب وخلع رأس المثقاب أو رأس المفك (الشكل D)

- هذه الأداة يتم تركيبها بطرف بدون مفتاح لإتاحة إمكانية التبديل السلس للرووس.

- أغلق الأداة من خلال تحريك الزر الانزلاقي (٢) للأمام/ الخلف وصولاً إلى الموضع المركزي.

- افتح الظرف من خلال إدارة الجزء الأمامي (١٣) بيد واحدة أثناء تثبيت الجزء الخلفي (١٤) باليد الأخرى.

- أدخل عمود الرأس (١٥) في الظرف وأحكم ربط ظرف الجلبة المفردة بشكل آمن.

هذه الأداة يتم توريدها مع رأس مفك في حامل الرأس (٦).

- لخلع رأس المفك من حامل الرأس ارفع الرأس من الفجوة.

- لغرض تخزين رأس المفك ادفعه بشكل ثابت في الحامل.

خلع وإعادة تركيب الظرف (الشكل E)

- افتح الظرف بأقصى ما يمكن.

- اخلع البرغي المثبت للظرف من خلال إدارته في اتجاه عقارب الساعة باستخدام مفك.

- أحكم ربط مفتاح ألين في الظرف وأضرب عليه بالمطرقة، كما هو موضح.

## المخاطر الأخرى

عند استخدام الأداة يمكن أن تظهر مخاطر أخرى إضافية قد لا تكون مدرجة في تحذيرات السلامة المذكورة. قد تظهر هذه المخاطر نتيجة لإساءة الاستخدام، أو الاستخدام لفترة طويلة، وما إلى ذلك. حتى مع سريان تعليمات السلامة وتطبيق تجهيزات السلامة فهناك بعض المخاطر الأخرى التي لا يمكن تجنب وقوعها. وهي تشمل:

- إصابات تنشأ جراء ملامسة أية أجزاء دوارة/متحركة.
- إصابات تنشأ عند تغيير أية أجزاء أو شفرات أو كماليات.
- إصابات تنشأ جراء طول فترة استعمال الأداة. عند استعمال الأداة لفترات ممتدة فتتحقق من إيقافها بانتظام للاستراحة.
- تضرر السمع.
- المخاطر الصحية الناتجة عن استنشاق الغبار المتكون عند استخدام الأداة الخاصة بك (على سبيل المثال: العمل في قطع خشبية، ولا سيما البلوط والزان وقطاعات MDF).

## الاستخدام

تحذيراً! اترك الأداة تعمل بسرعتها. لا تفرط في التحميل.

تحذيراً! قبل القيام بالحفر في الجدران أو الأرضيات أو الأسقف فتتحقق من موقع الأسلاك والمواسير.

## تغيير البطارية (الشكل A و F)

البطارية بحاجة إلي أن يتم شحنها قبل الاستخدام لأول مرة وإذا ما حدث وأيضاً عندما تعجز عن توفير الطاقة الكهربائية الكافية في المهام المطلوبة التي كان يسهل تنفيذها فيما سبق. عند القيام بشحن البطارية لأول مرة أو بعد تخزينها لفترة طويلة فسوف تقبل فقط نسبة ٨٠٪ من قوة الشحن. بعد مرور عدة دورات من الشحن والتفريغ فسوف تحتفظ البطارية بكامل طاقتها. يمكن أن تسخن البطارية عند الشحن، هذا أمر عادي ولا يشير إلى وجود مشاكل.

احرص على قراءة دليل التعليمات قبل الاستخدام.



ينطفئ الشاحن أوتوماتيكياً إذا ما أصبحت درجة الحرارة المحيطة مرتفعة للغاية. دائرة القطع الحراري تعمل فقط مرة واحدة، وبعد ذلك يتعين استبدالها تمامًا.



## الملصقات الموجودة على الأداة

الصور المصغرة التالية مع كود التاريخ موجودان على الأداة.

تحذير! لغرض تقليل مخاطر الإصابات فيجب على المستخدم قراءة دليل التعليمات.



## تدابير سلامة إضافية للبطاريات والشواحن

### البطاريات

هذا الشاحن معزول عزلاً مزدوجاً، وبالتالي لا حاجة إلى توصيل سلك أرضي. وينبغي التأكد دائماً من توافق جهد مصدر التيار الكهربائي مع الجهد الموضح على لوحة التقنين. لا تحاول مطلقاً استبدال وحدة الشاحن بقابس شبكة عادي.



- في حالة تلف سلك توصيل الكهرياء، يجب استبداله من قبل جهة التصنيع أو أي مركز خدمة معتمد من BLACK+DECKER لتجنب المخاطر.

### الخواص

تشتمل هذه الأداة على بعض أو جميع الأجزاء التالية.

1. مفتاح السرعة المتغيرة
2. زر انزلاقي للأمام/الخلف
3. قرص اختيار الوضع / قرص ضبط العزم

4. الظرف

5. قرص اختيار السرعة

6. حامل القطعة

7. البطارية

الشكل A

8. قابس الشاحن

9. الشاحن

10. وعاء الشاحن

- لا تحاول مطلقاً الفتح لأي سبب.

- لا تعرض البطارية للماء.

- لا تخزنه في مواقع يمكن أن تزيد درجة الحرارة بها عن 40° م.

- لا تقم بالشحن إلا في درجات حرارة محيطة تتراوح بين 10° م و 40° م.

- لا تقم بالشحن إلا باستخدام الشاحن المورد مع الأداة.

- عند التخلص من البطاريات فاحرص على اتباع التعليمات الموضحة في جزء "حماية البيئة".

- لا تحاول شحن البطاريات التالفة.



### الشواحن

- استخدم شاحن BLACK+DECKER فقط لشحن البطارية في الأداة المورد بها. البطاريات الأخرى يمكن أن تنفجر متسببة في إلحاق إصابات شخصية وأضرار.

- لا تحاول مطلقاً شحن البطاريات غير القابلة للشحن.

- احرص على استبدال الكابلات التالفة على الفور.

- لا تعرض الشاحن للماء.

- لا تفتح الشاحن.

- لا تجرب الشاحن.

صمم هذا الشاحن للاستخدام المنزلي فقط.



غير مستقرة ويمكن أن يؤدي إلى فقدان التحكم.

• قبل القيام بالحفر في الجدران أو الأرضيات أو الأسقف فتتحقق من موقع الأسلاك والمواسير.

• تجنب ملامسة قمة المثقاب بعد الانتهاء من الثقب، فيمكن أن يكون ملتهباً.

• هذا الجهاز غير مصمم ليستخدمه الأشخاص ذو القدرات الجسدية والذهنية والحسية والعقلية المتدنية والخبرة والمعرفة القليلتين (بما في ذلك الأطفال) إلا في ظل الإشراف عليهم أو إعطائهم التعليمات المتعلقة باستخدام الجهاز من قبل الشخص المسؤول عن سلامتهم. يلزم الإشراف على الأطفال لضمان عدم عبثهم بالجهاز.

• يحدد دليل التعليمات هذا الاستخدام المصمم للجهاز له. استخدام أي قطع كيميائية أو ملحقة غير الموجودة مع الجهاز أو استخدام الجهاز في غرض غير المنصوص عليه في هذا الدليل قد يشكل خطراً أو يؤدي إلى حدوث إصابة و/أو أية أضرار.

## الاهتزاز

قيم انبعاث الاهتزازات المعلنة والمثبتة في المواصفات الفنية وإعلان التوافق تم قياسها بما يتوافق مع طرق الاختبار المعيارية وفقاً لمواصفة EN 60745. ويمكن أن يتم استخدامها لمقارنة أداة بأخرى. قيم انبعاث الاهتزازات المعلنة يمكن أن يتم استغلالها أيضاً في التقييم الأولي للتعرض للاهتزاز.

تحذير! قيمة انبعاثات الاهتزازات الصادرة أثناء الاستخدام الفعلي لأداة الطاقة الكهربائية يمكن أن تتباين عن القيمة الموضحة اعتماداً على طرق استخدام الأداة. مستوى الاهتزاز يمكن أن يزيد إلى أعلى من المستوى المثبت.

عند القيام بتقييم التعرض للاهتزاز لتحديد إجراءات السلامة الضرورية وفقاً للمواصفة EC/2002/44 الرامية لحماية الأفراد بانتظام باستخدام أدوات الطاقة الكهربائية في العمل، فيتعين أن يتم تقدير التعرض للاهتزاز مع الوضع في الحسبان الظروف الفعلية للاستخدام وطريقة استعمال الأداة، ومرعاة كل أجزاء دورة التشغيل، مثل مواقيت إطفاء الأداة وتشغيلها على الوضع المحايد بالإضافة إلى زمن التفعيل.

د. في ظل الظروف القاسية، قد يحدث تسرب سائل من البطارية، تجنب ملامسة السائل. في حالة ملامسة السائل دون قصد، اغسل موضع الملامسة بالماء. وفي حالة ملامسة السائل للعينين، ينبغي الحصول على المساعدة الطبية. السائل المتسرب من البطارية قد يسبب تهيج أو حروق.

## ٦. الخدمة

أ. احرص على أن يقوم فني متخصص بإصلاح أداة الطاقة الكهربائية الخاصة بك فقط باستخدام قطع الغيار المتطابقة. ومن شأن ذلك أن يضمن سلامة صيانة أداة الطاقة الكهربائية.

## تحذيرات إضافية متعلقة بسلامة أداة الطاقة الكهربائية

تنبيه! تحذيرات السلامة الإضافية لأعمال الحفر والثقب



• احرص على ارتداء واقيات الأذن عند استخدام المثقاب. التعرض للضجيج يمكن أن يتسبب في فقدان السمع.

• استخدم المقابض الإضافية الموردة مع الأداة. فقدان التحكم يمكن أن يتسبب في وقوع إصابات شخصية.

• احرص على حمل أداة الطاقة الكهربائية باستخدام أسطح الإمساك المعزول عند القيام بالتشغيل في الأماكن التي يمكن أن ينشأ فيه تلامس بين كماليات التقطيع وبين الأسلاك المختفية. كماليات التقطيع المحتوية على سلك "حي" يمكن أن تعرض الأجزاء المعدنية لأداة الطاقة الكهربائية "الحيّة" ويمكن أن يعرض المشغل لصدمة كهربائية.

• احرص على حمل أداة الطاقة الكهربائية باستخدام أسطح الإمساك المعزول عند القيام بالتشغيل في الأماكن التي يمكن أن ينشأ فيه تلامس بين المثبتات وبين الأسلاك المختفية. المثبتات المحتوية على سلك "حي" يمكن أن تعرض الأجزاء المعدنية لأداة الطاقة الكهربائية "الحيّة" ويمكن أن يعرض المشغل لصدمة كهربائية.

• استخدم المشابك أو أية طرق عملية أخرى لغرض تأمين وتدعيم قطعة الشغل على منصة ثابتة. القيام بالعمل يدوياً أو في مقابل جسمك يجعل قطع الشغل

- ج. يتعين منع بدء التشغيل غير المقصود. تأكد من أن المفتاح في وضع الغلق قبل التوصيل بمصدر التيار الكهربائي و/أو حزمة البطارية أو رفع أو حمل الجهاز. يؤدي حمل الأجهزة الكهربائية والأصابع موضوعة على المفتاح، أو حمل الأجهزة الكهربائية النشطة التي تكون في وضع التشغيل، إلى وقوع حوادث.
- د. قم بإزالة أي مفتاح عادي أو مفتاح إنجليزي قبل تشغيل الجهاز الكهربائي. قد يتسبب ترك المفتاح متعلقًا بجزء دوار من الجهاز الكهربائي في حدوث إصابة شخصية.
- هـ. ينبغي عدم الاقتراب المفرط. ينبغي الحفاظ على ثبات القدمين والتوازن في كافة الأوقات. هذا يمكنك من السيطرة الجيدة على الجهاز الكهربائي في المواقف غير المتوقعة.
- و. ينبغي ارتداء الملابس المناسبة. لا ترتدي الملابس الفضفاضة أو المجوهرات. ينبغي الحفاظ على شعرك وملابسك وقفازاتك بعيداً عن الأجزاء المتحركة. قد تتعلق الملابس الفضفاضة أو المجوهرات أو الشعر الطويل بالأجزاء المتحركة.
- ز. إذا كانت هناك أجهزة موفرة بخصوص توصيل مرافق استخراج الغبار والجمع، تأكد من توصيل تلك الأجهزة واستخدامها بالشكل المناسب. يمكن أن يقلل استخدام تلك الأجهزة من حدوث المخاطر المرتبطة بالغبار.
٤. استخدام الجهاز الكهربائي والعناية به
- أ. يتعين تجنب استخدام الجهاز الكهربائي في غرض غير مناسب. استخدم الجهاز الكهربائي الذي يتناسب مع الغرض والاستخدام الذي تريده. سوف يقوم الجهاز الكهربائي الصحيح بأداء العمل بشكل أفضل وأكثر أماناً بالمعدل الذي تم تصميمه من أجله.
- ب. لا تستخدم الجهاز الكهربائي إذا لم يَقم المفتاح بتشغيله وإيقاف تشغيله. أي جهاز كهربائي لا يمكن التحكم فيه باستخدام المفتاح يكون خطراً وينبغي إصلاحه.
- ج. افصل قابس الجهاز الكهربائي عن مصدر التيار الكهربائي و/أو عن حزمة البطارية قبل إجراء أية تعديلات أو تغييرات أو تركيب أية ملحقات في الأجهزة الكهربائية أو تخزينها. تقلل إجراءات السلامة الوقائية هذه من خطر بدء تشغيل الجهاز الكهربائي
- د. قم بتخزين الأجهزة الكهربائية غير المستخدمة بعيداً عن متناول الأطفال ولا تسمح للأشخاص غير المعتادين على استخدام الجهاز الكهربائي أو غير المطلعين على هذه الإرشادات بتشغيل الجهاز الكهربائي. الأجهزة الكهربائية تشكل خطراً عندما تكون في يد مستخدمين غير مدربين.
- هـ. ينبغي صيانة الأجهزة الكهربائية. افحص الجهاز للتعرف على الأجزاء المعيبة أو التي تعوق حركة الأجزاء المتحركة وللتأكد من خلوها من الأجزاء المكسورة ومن أي حالة أخرى قد تؤثر على كفاءة تشغيل الأجهزة الكهربائية. إذا تم العثور على أي تلف، ينبغي إصلاح الجهاز الكهربائي قبل الاستخدام. تنتج العديد من الحوادث عن سوء صيانة الأجهزة الكهربائية.
- و. ينبغي الحفاظ على أدوات القطع في حالة حادة ونظيفة. أدوات القطع المحافظ عليها بشكل مناسب والمزودة بشفرات قاطعة حادة هي أقل عرضة للأعطال وأسهل في التحكم.
- ز. ينبغي استخدام الجهاز الكهربائي وملحقاته والقم وما إلى ذلك وفقاً لهذه الإرشادات، مع أخذ ظروف العمل والعمل المراد تنفيذه في الاعتبار. قد يتسبب استخدام الجهاز الكهربائي من أجل عمليات تشغيل مختلفة عن عمليات التشغيل المقصودة في حدوث مخاطر.
٥. استخدام الجهاز الذي يعمل بالبطارية والعناية به
- أ. ينبغي إعادة الشحن فقط باستخدام الشاحن المحدد بواسطة الشركة المصنعة. الشاحن المناسب لنوع معين من حزمة البطارية قد يسبب مخاطر نشوب حريق عند استخدامه مع حزمة بطارية أخرى.
- ب. استخدم الأجهزة الكهربائية فقط مع حزم البطارية المصممة لها خصيصاً. قد يؤدي استخدام أي حزم بطارية أخرى إلى مخاطر التعرض لإصابة أو نشوب حريق.
- ج. في حالة عدم استخدام حزمة البطارية، ينبغي الاحتفاظ بها دائماً بعيداً عن الأشياء المعدنية الأخرى؛ مثل مشابك الورق والعملات المعدنية والمفاتيح والمسامير والبراغي أو الأشياء المعدنية الصغيرة الأخرى، التي يمكن أن تؤدي إلى توصيل طرف بالطرف الآخر. قد يتسبب توصيل طرفي البطارية مع بعضهما البعض في التعرض لحروق أو نشوب حريق.

## الاستخدام المقصود

المأرضة. سوف تؤدي القوابس غير المعدلة ومصادر التيار الكهربائي المتوافقة إلى تقليل خطر التعرض لصدمة كهربائية.

ب. تجنب ملامسة الجسم للأسطح المؤرضة مثل الأنابيب وأجهزة المدفأة والمواقد والثلاجات. يزداد خطر إصابتك بصدمة كهربائية إذا كان جسمك مؤرضًا.

ج. لا تعرض الأجهزة الكهربائية للمطر أو الأجواء الرطبة. سوف يؤدي تخلل الماء داخل الجهاز الكهربائي إلى زيادة خطر الإصابة بصدمة كهربائية.

د. ينبغي عدم إساءة استعمال سلك التيار الكهربائي. لا تستخدم مطلقًا سلك التيار الكهربائي لحمل الجهاز الكهربائي أو سحبه أو فصله عن التيار. ينبغي الاحتفاظ بسلك التيار الكهربائي بعيدًا عن الحرارة أو الزيت أو الحواف الحادة أو الأجزاء المتحركة. تزيد الأسلاك التالفة أو المتشابكة من خطر الإصابة بصدمة كهربائية.

هـ. عند تشغيل الجهاز الكهربائي في الهواء الطلق، استخدم سلك توصيل مناسب للاستخدام في الهواء الطلق. استخدم سلك تيار كهربائي مناسب للاستخدام في الهواء الطلق يقلل من خطر التعرض لصدمة كهربائية.

و. إذا كان لا يمكن تجنب تشغيل الجهاز الكهربائي في مكان رطب، فإنه ينبغي استخدام جهاز وقاية من التيار المتبقي. يقلل استخدام جهاز الوقاية من التيار المتبقي من خطر الإصابة بصدمة كهربائية.

## ٣. السلامة الشخصية

أ. كن يقظًا وراقب ما تقوم بفعله واستخدم الحس السليم عندما تقوم بتشغيل الجهاز الكهربائي. لا تستخدم الجهاز الكهربائي عندما تكون منهكًا أو تحت تأثير العقاقير أو المشروبات الكحولية أو الدواء. قد تتسبب لحظة من الغفلة أثناء تشغيل الأجهزة الكهربائية في حدوث إصابة شخصية بالغة.

ب. استخدم معدات الوقاية الشخصية. ارتدي دومًا واقية العينين. سوف يقلل استخدام معدات الوقاية مثل كمامات الأتربة والأحذية المانعة للتزلق والقفعة الصلبة وواقى السمع من خطر حدوث إصابات شخصية.

المنقاب/المفك الخاص بك من شركة

BLACK+DECKER تم تصميمه خصيصًا لتنفيذ

تطبيقات الربط/الفك ولغرض الحفر في الخشب والمعادن والبلاستيك والأبنية الحرة. هذا الجهاز معد لاستخدام العملاء فقط.

## تعليمات السلامة

تحذيرات عامة متعلقة بسلامة أداة الطاقة الكهربائية



تحذير! احرص على قراءة كل تحذيرات السلامة والتعليمات ذات الصلة. أي قصور في اتباع التحذيرات والتعليمات السلامة الموضحة أدناه يمكن أن تتسبب في التعرض لصدمة كهربائية و نشوب حريق و/أو وقوع إصابات بالغة.

احرص على ضرورة الاحتفاظ بكل التحذيرات

والتي تعليمات ذات الصلة للاستخدام المستقبلي كمرجع. المصطلح "أداة الطاقة الكهربائية" الوارد في كل التحذيرات المدرجة أدناه يشير إلى أداة الطاقة الكهربائية المشغلة بكابل (محزمة ثنائي الخطوط) يوصل بشبكة التيار الأساسية أو ببطارية (بدون كابلات).

## ١. سلامة منطقة العمل

أ. ينبغي الحفاظ على منطقة العمل في حالة نظيفة ومضاءة جيدًا. تتسبب المناطق المظلمة والمكتظة بالركام في وقوع حوادث.

ب. لا تقم بتشغيل الأجهزة الكهربائية في أجواء انفجارية؛ مثل تشغيلها في وجود سوائل قابلة للاشتعال أو غازات أو غبار. الأجهزة الكهربائية ينتج عنها شرارات قد تؤدي إلى إشعال الغبار أو الأدخنة.

ج. ينبغي إبعاد الأطفال والمتفرجين أثناء تشغيل الجهاز الكهربائي. قد يتسبب الإلهاء في فقدان للسيطرة على الجهاز.

## ٢. السلامة الكهربائية

أ. يلزم توافق قوابس التيار الكهربائي مع مصدر التيار الكهربائي. تجنب مطلقًا تعديل القابس بأية طريقة، ولا تستخدم أية قوابس مهائى مع الأجهزة الكهربائية

## **Names & Addresses for BLACK + DECKER Service Concessionaries**

**ALGERIA:** SARL Outillage Corporation, After Sale Service Center-08, Rue Mohamed Boudiaf - Cheraga, Algiers, Algeria, Tel: +213 21 375131, Fax: +213-0-369667. **AZERBAIJAN:** Kontakt - NN LLC, M.Qashqay 43, Baku, Azerbaijan Az1000. Tel: +994 12 4082050, Fax: +994 12 4117090. **BAHRAIN:** Alfouz Services Co. WLL., P.O. Box 26562, Tubli, Manama, Tel: +973-17783562/17879987, Fax: +973-17783479. Kewalram & Sons Co. WLL P.O. Box 84, Manama, Kingdom of Bahrain, Tel: +973-17213110/17210617/ 17210619, Fax: +973-17213211/ 17210627. **BANGLADESH:** Ultra Corporation, 8, Kushol Centre, Uttara, Dhaka 1230. Tel: +880-2-8922144, Fax: +880-2-8951339. **EGYPT:** Anasia - Egypt for Trading S.A.E., 9, Mostafa Refaat St., Sheraton Heliopolis Bldgs., Cairo, Egypt, P.O.Box 2443 Heliopolis 11361, Tel. : (202) 268 4159, Fax.: (202) 268 4169, www.anasia.com. **ETHIOPIA:** Seif Sherif Trade PLC -Arada Sub City, Kebele 01-02, Global Insurance Bldg., 2nd Flr. Room 43, P.O.Box 2525, Addis Ababa, Ethiopia, Tel: 00-251-11-1563968/ 1563969, Fax: 00-251-11-1558009. **INDIA:** Gryphon Appliances Ltd., D-6/4, Okhla Industrial Area, Phase-I, New Delhi-110020, Tel: +91-11-46731111, Fax: +91-11-46731111. **JORDAN:** Bashiti Hardware, 93 King Abdullah 2nd St., Opp ELBA House, P.O. Box 3005, Tel: +962-6-5349098 ext.11, Fax: +962-6-5330731. **KENYA:** Leading Concepts, P.O. Box: 40877-00100, Nairobi, Kenya. Tel: +254 20 690 5000, Fax: +254 20 690 5111. **KUWAIT:** Al Omar Technical Co., P.O. Box 4062, Safat 13041, Kuwait, Tel: 00965-24848595/ 24840039, Fax: 00965-24845652. The Sultan Centre, P.O. Box 26567-13126 Safat, Kuwait, Tel: 00965-24343155 Etn. 432, Fax: 00965-24319071. **LEBANON:** Aces Service Centre, P.O. Box 90-102, Nahr El Mot, Seaside Highway, Pharaon Building, Beirut. Tel: 00961-1-898989, Fax: 00961-1-245880. **LIBYA:** Homeworld Co., Building No.5, Senidal St., Amr Ibn Elaas Road, Benghazi, Libya. Tel: 00218-61-9094183. Service Center1 - Benghazi: Tel: +218-061-3383994, Fax: +218-092-7640688, Service Center2 - Tripoli: Tel: +218-021-3606430, Fax: +218-092-6514813. **MALTA:** John G Cassar Ltd. 36-Victory Street, Qormi QRM 06, Malta. Tel: +356-21493251, Fax: +356-21483231. **MAURITIUS:** J.M. Goupille & Co. Ltd., Rogers Industrial Park 1, Riche Terre, Mauritius, Tel: +230 206 9450 / +230 207 1700, Fax: +230 206 9474/ +230 248 3188. **MOROCCO:** UATS 26 Rue Ennarjisse, Hay Erraihan, Beausejour - Hay Hassani-Casablanca, Morocco. Tel: +212 522945114, Fax: +212 522942442. **NEPAL:** Universal Electrocom, Tripureshwor, Kathmandu, Nepal. Tel: +977-1-4265191. **NIGERIA:** Dana Electronics Ltd. (Lagos) 116/ 120, Apapa Oshodi Express Way, Isolo, Lagos, Nigeria. Tel: +234-17431818/ +234-8037767774/ +234-8057445477. (Abuja) 18, A.E. Ekukinam Street, Off Obsfemi Awolowo Road, Utako, Abuja, Nigeria. Tel: +234-8032276101/ +234-8037767774. (Kano) 9A - Mai Malari Road, Bompai, Kano, Nigeria. Tel: +234-8053294947/ +234-8037767774. **OMAN:** Oman Marketing & Service Co. (Omasco), P.O. Box 2734, Behind Honda Showroom, Wattayah, Oman, Tel: +968-24560232/ 24560255, Fax: +968-24560993. Oman Marketing & Service Co. (Omasco), Al Ohi, Sohar, Oman, Tel: +968-26846379, Fax: +968-26846379. Oman Marketing & Service Co. (Omasco) - Sanaya, Salalah, Oman, Tel: 00968-23212290, Fax: +968-23210936. **PAKISTAN:** Ammar Service & Spares - 60-Bank Arcade, Serai Road, Karachi, Pakistan, Tel: 0092-21-32426905, Fax: 0092-21-32427214. **PHILIPPINES:** 476 J. P. Rizal St., cor Kakarong St. Brgy Olympia, Makati City, Tel: +632 403-5698. **QATAR:** Al Muftah Service Centre - Al Wakrah Road, P.O. Box 875, Doha, Qatar. Tel: 00974-4650880/ 4650110/ 4446868, Fax: 00974-4441415/ 4662599. **SAUDI ARABIA: (Al Khobar)** Al-Suwaiket Catering & Trading Co., P.O.Box 4228, King A.Aziz Street, Al Khobar, Tel: +966-3-8591088, Fax: +966-3-8595648. Fawaz Ebrahim Al Zayani Trading Est. P.O. Box 76026, Al Khobar #31952, Tel: +966-3-8140914, Fax: +966-3-8140824. **(Jeddah)** Banaja Trading Co. Ltd, P.O. Box 366, Jeddah-21411, Tel: +966-2-6511111, Fax: +966-2-6503668. **(Riyadh)** Banaja Trading Co. Ltd, P.O. Box 566, Riyadh-11421, Tel: 00966-1-4124444, Fax: +966-1-4033378. **SOUTH AFRICA:** Trevco Power Tool Service 14 Steenbok Street, Koedoespoort, 0186, Pretoria, South Africa, Tel: +27-86-1873826, Fax: +27-86-5001771. **SRI LANKA:** Delmege Construction Products (Pvt) Ltd., No 101 Vinayalankara Mawatha, Colombo-10, Sri Lanka, Tel: +94-11-2693361-7, Service hotline: +94-77-2211111. **TUNISIA:** Société Tunisienne De Manutention - Rue de la Physique, Nouvelle Zone Industrielle de Ben Arous-2013 Tunisia, Tel: +216-71-386102/ 380620, Fax: +216-71380412 ext 216. **UGANDA:** Anisuma Investment and Services Ltd., J R complex, Ware House No.5, Plot No 101, 3rd Street Industrial Area, Jinja Road, Kampala, Tel: +256-414237106. **UAE: (Abu Dhabi)** Light House Electrical, P.O. Box 120, Abu Dhabi, Tel: +971-2-6726131, Fax: +971-2-6720667. **(Al Ain)** Zillion Equipment and Spare Parts Trading LLC, P.O. Box 19740, Opp. Bin Sadal/Trimix Redymix Sanaiya, Al Ain. Tel: +971-3-7216690, Fax: +971-3-7216103 **(Dubai)** Black & Decker (Overseas) GmbH, P.O. Box 5420, Dubai, Tel: +971-4-8127400/ 8127406, Fax: +971-4-2822765. **(Musaffah)** Light House Electrical, P.O. Box 120, Abu Dhabi, Tel: +971-2-5548315, Fax: +971-2-5540461. **(Sharjah)** Mc Coy Middle East LLC, P.O. Box 25793, Sharjah, Tel: +971-6-5395931, Fax: +971-6-5395932. **(Ras Al Khaimah)** Mc Coy Middle East LLC, P.O.Box 10584, Ras Al Khaimah, Tel: +971-7-2277095, Fax: +971-7-2277096. **YEMEN: (Aden)** Muala St., Tel: +967 2 222670, Fax: +967 2 222670. **(Sana'a)** Middle East Trad. Co. Ltd., P.O. Box 12363, Hayel Street, Sana'a. Tel: +967-1-204201, Fax: +967-1-204204. **(Taiz)** Middle East Trading Co. (METCO), 5th Flr. Hayel Saeed Anam Bldg, Al-Mugamma St. Taiz, Yemen, Tel: +967-4-213455, Fax: +967-4-219869.

# Имена и адреса дистрибьютеров BLACK + DECKER

**Альметьевск**, ООО "Смарт", 423451, ул. Тухватуллина, д.112, база Смарт, Телефон: (8553) 30-01-01, Факс: (8553) 30-00-01. **Ангарск**, ООО "ВСРТА Кемеровские заводы" 666800, ул. Рабочего Штаба, д. 87, Телефон: (3955) 77-91-02, 96-96-59, Факс: (3955) 77-91-02. **Архангельск**, ООО "Архлес-сервис", 163071, ул. Тимме, д. 23, Телефон: (8182) 27-00-49, 29-35-86, Факс: (8182) 27-00-49. **Астрахань**, ООО "Компания Инструментал", 414057, ул. Рождественского, д. 1 Ж, Телефон: (8512) 35-14-46, 35-14-46, Факс: (8512) 50-21-21. **Астрахань**, ООО "Мастер-Класс", 414014, ул. Ярославская, д. 34 А, Телефон: (960) 856-05-11. **Ачинск**, ООО "Экстрим-Центр", 662150, ул. Дзержинского, д. 36, Телефон: (39151) 6-23-22. **Барнаул**, ИП Бескишин В. П., 656010, ул. пр-т Ленина, д. 73, Телефон: (3852) 61-77-12, Факс: (3852) 61-77-12. **Барнаул**, ИП Никитин М. Д., 656067, ул. Балтийская, д. 66 А, Телефон: (3852) 45-58-47, 8 (964) 603-72-52, Факс: (3852) 45-39-85. **Белгород**, ООО "ЦентрИнструментСервис-Белгород", 308002, ул. Богдана Хмельницкого пр-т, д. 133 В, Телефон: (4722) 31-82-48, 34-61-29, Факс: (4722) 31-82-48. **Белгород**, ИП Шабанов С. И., 308024, ул. Костюкова, д. 1, Телефон: (4722) 55-86-08, Факс: (4722) 55-26-43. **Благовоещенск**, ООО "Амурская электротехника", 675014, ул. Кольцевая, д. 43, Телефон: (4162) 42-30-70. **Бор**, ООО "Молоток", 606440, ул. Первомайская, д. 7 А, Телефон: (83159) 9-35-58, Факс: (83159) 9-35-58. **Брянск**, ИП Тимошкин С. Н., 241035, ул. Бурова, д. 14, Телефон: (4832) 68-71-75, Факс: (4832) 68-71-75. **Брянск**, ИП Тимошкин С. Н., 241037, ул. Красноармейская, д. 103, Телефон: (4832) 41-71-44, Факс: (4832) 41-71-44. **Великие Луки**, ИП Леничев Ю. Г., 182100, ул. Мурманская, д. 16, Телефон: (81153) 3-71-20, Факс: (81153) 5-14-60. **Владивосток**, ИП Барса В. А., 690105, ул. Бородинская, д. 46/50, каб. 305, Телефон: (423) 234-57-12, Факс: (423) 234-57-12, **Владикавказ**, ИП Метрелии Г. В., 362003, ул. Калоева, д.400, Телефон: (8672) 24-15-73, 51-32-23 Факс: (8672) 51-32-23. **Владимир**, ИП Верстин В. Ф. 600022, ул. пр-кт Ленина, д. 44, Телефон: (4922) 38-27-90, Факс:(4922) 38-67-55. **Владимир**, ООО "ИМКом-Сервис", 600035, ул. Куйбышева, д. 4,Телефон: (4922) 37-06-05. **Волгоград**, ООО "НПФ СЛАВЯНЕ", 400074, ул. Козловская, д. 20, Телефон: (8442) 94-52-49, Факс: (8442) 94-52-49. **Волгоград**, ООО "Инструмент-Сервис", 400055, ул. Фадеева, д. 29, Телефон:(8442) 55-00-11, Факс:(8442) 55-00-11. **Волгоград**, ООО "Инструмент-Сервис" 400050 ул., Рокоссовского, д. 52, Телефон: (8442) 55-00-11, Факс: (8442) 55-00-11. **Волжский**, ООО "Инструмент-Сервис" 404106, ул. Большевикская, д.70Б, Телефон: (8443) 55-00-99, Факс:(8443) 55-00-99. **Вологда**, ИП Журавлёв Д. А.160022, ул. Можайского, д. 44. Телефон: (8172) 74-30-63, Факс: (8172) 74-30-63. **Воронеж**, ООО "Энкор-Сервис", 394026, ул.Текстильщиков, д. 2 корп. 3, Телефон: (473) 261-96-35, 261-96-46, Факс: (473) 261-96-35 доб.458. **Воткинск**, ИП Татаиринов К. В. 427430 ул. Садовникова, д. 17, Телефон: (950) 171-60-05, 8(963)546-22-34. **Екатеринбург**, ИП Салахов Д. Д. 620026, ул. Розы Люксембург, д. 67 А, Телефон: (343) 251-94-94. **Екатеринбург**, ООО "ИНИГС-Сервис", 620026, ул. Шефская, д. 3, корп. Г, Телефон: (343) 219-28-47, Факс: (343) 264-04-40. **Иваново**, ИП Грушина М. Е.,153000, ул. Красногвардейская д. 33, Телефон: (4932) 30-67-00. **Ижевск**, ИП Струков А. А., 426006, ул. Телегина, д. 30, Телефон: "(3412) 93-24-19", Факс: (3412) 93-24-19, 93-24-20. **Ижевск**, ООО "РЭМО", 426011, ул. Майская, д. 28, Телефон: (3412) 73-95-85, Факс: (3412) 72-72-76. **Иркутск**, ИП Паздникова Л. И. 664075, ул.Байкальская, д. 239, корп.7, Телефон: (3952) 22-60-29, 22-87-24, Факс: (3952) 22-60-29, доб.136. **Иркутск**, ООО "ВСРТА Кемеровские заводы", 664035, ул. Рабочего штаба, д. 87, Телефон:(3952) 77-91-02,96-96-59, Факс: (3952) 77-91-02, 77-93-87. **Ишар-Ола**, ООО "Дровосек", 424037, ул. Машиностроителей, д. 2 Б, Телефон: (8362) 41-97-70, Факс: (8362) 41-97-70. **Казань**, ИП Федосеев Е. И.,420029, ул. Сибирский Тракт, д. 34 корп. 12, Телефон: (843) 211-99-01 (02,03,04), Факс:(843) 211-99-01 (02,03,04). **Казань**, ООО "Вавилон-С", 420136, ул. Маршала Чуйкова, д. 25, Телефон: (843) 525-44-15, Факс: (843) 525-44-15. **Казань**, ООО "Дровосек", 420129, ул. Габдуллы Тукая, д. 125, корп.3, Телефон: (843) 205-33-32, 205-33-34. **Казань**, ООО "Профтулз", 422625, с. Песчаные Ковали, ул. Октябрьская, д.28,Телефон:(843) 225-80-20. **Казань**, ООО "Профтулз", 422622 с. Сокуры, ул. Державина, д. 9 А,Телефон: (843) 225-20-80, **Калининград**, ИП Скрицкий О. И., 236001, ул. Московский пр., д. 253, Телефон: (4012) 59-06-06, 59-06-13, Факс: (4012) 59-06-13. **Калуга**, ИП Смогилева А. Б., 248000, ул. Карла Либкнехта, д. 31, Телефон: (4842) 22-03-65, (920) 617-81-91. **Кемерово**, ООО "Сервисный центр "Электра",650044, ул. Абызова, д. 12 А, Телефон: (3842) 64-01-03, 64-28-00, 64-04-55, Факс: (3842) 64-00-07, **Киров**, ИП Кассихин В. Н., 610020, ул. Труда, д. 71, Телефон: (8332) 64-66-56, Факс: (8332) 64-66-56. **Киров**, ООО "Дровосек", 610004, ул. Ленина, д. 54,Телефон: (8332) 35-80-24, 35-80-25, Факс: (8332) 35-80-24, 35-80-25. **Киров**, ООО "Неолип", 610035, ул. Пугачева, д. 1, Телефон: (8332) 56-35-63, Факс: (8332) 56-35-63. **Ковров**, ООО "ИМКом-Сервис" 601916, ул. Летняя, д. 24 А, Телефон: (49232) 4-58-66, Факс: (49232) 4-58-66. **Кострома**, ООО "КрафтТулз", 156026, ул. Северной правды, д. 41 А, Телефон: (4942) 32-59-91, (910) 376-00-10, Факс: (4942) 32-59-91. **Краснодар**, ООО "СТО" Авто-Кубань", 350059, ул. Новороссийская, д. 174 А,Телефон: (989) 800-86-32, (918) 977-76-22. **Красноярск**, ООО "Инструмент-Сервис", 660121, ул. Парашютная, д. 15,Телефон:(3912) 61-98-99, 61-98-95, Факс: (3912) 61-98-99, 61-98-95. **Красноярск**, ООО "Сервисный Центр", 660022, ул. Аэровокзальная, д. 21 стр. 2, Телефон: (3912) 41-86-40, Факс: (3912) 41-86-40, **Курск**, ИП Долголев Р. В. 305001, ул. Кожевенная, д.31. А, Телефон: (4712) 38-90-65, Факс: (4712) 38-90-65. **Липецк**, ООО "Арсенал", 398001, д. 9 Марта, д. 13,Телефон:(4742) 74-06-96, 35-32-15, Факс: (4742) 74-66-76, 22-74-78. **Липецк**, ЗАО "ДПрофи", 398035, ул. Космонавтов, д. 43,Телефон:(4742) 31-92-69, 790, Факс: (4742) 31-92-69, 79. **Магнитогорск**, ИП Трухин А. С. 455045, ул. Свободы, д. 7, (3519) 49-26-77, Миасс, ИП Макаров В. В., 456317, ул. Академика Павлова, д. 8 Б, Телефон: (904) 305-83-79, **Москва**, ООО "Фирма Технопарк", 121471, ул. Гвардейская, д. 3, к.1,Телефон:(495) 737-81-59, 444-10-70, Факс: (495) 737-81-59, **Мурманск**, ИП Гиренко С. Г., 183038, ул. Ленина пр-т, д. 45, Телефон: (8152) 47-47-25, (8152) 47-47-25, **Муром**, ООО "ИМКом-Сервис", 602266, ул. Владимирское шоссе, д. 12, Телефон: (49234) 2-63-41, Факс: (49234) 2-63-41. **Набережные Челны**, ООО "КамаСнабТорг", 423803, ул. Сармановский тракт, д. 60,Телефон: (8552) 33-23-12, 44-49-99, **Набережные Челны**, ИП Давлеева И. М., 423800, ул. 40 лет Победы, ГСК "Визиди" бокс №19, Телефон: (962)566-95-23, Факс: (8552) 40-04-48, **Нальчик**, ООО "Техно-Сити", 360004, ул. Кирова, д.137,Телефон:(8662) 40-29-83, Факс: (8662) 40-78-78. **Нижний Новгород**, ИП Федосеев Е. И., 603124, ул. Московское ш., д. 300,Телефон: (831) 274-89-66, 274-89-67, Факс: 274-89-66, доб.117. **Нижний Новгород**, ООО "Пигмент", 603089, ул. Полтавская, д. 32,Телефон: (831) 416-78-70, 416-78-80, Факс: (831) 416-78-70. **Нижний Новгород**, ООО "Дровосек", 603086, ул. Бульвар Мира, д. 7,Телефон: (831) 281-81-91, Факс: (831) 281-81-91, **Новокузнецк**, ООО "Механик", 654005, ул. Пирогова, д. 301,Телефон:(3843) 73-83-17, Факс: (3843) 73-83-17, **Новосибирск**, ООО "Телец", 353920, ул. Героев Десантников, д. 61,Телефон: (8617) 63-50-10, Факс:(8617) 63-50-10, **Новосибирск**, ООО "СТП Регламент", 630091, ул. Советская, д. 52,Телефон: (3832) 20-00-30, Факс: (3832) 20-00-30. **Обнинск**, ИП Вишняков О. В. 249034, ул. Кабицинская Гос Заря №244,Телефон: (48439) 9-07-46, Факс:(48439) 9-07-46. **Сочи**, ЗАО "Исток", 354340, ул. Староанастасьевская, д. 30/2,Телефон:(8622) 40-20-64, 8-800-100-44-33. **Омск**, ООО "Профинструмент сервис", 644001, ул. Шебадина, д. 199, к. 1, Телефон: (3812) 36-65-09, Факс: (3812) 36-65-09. **Орел**, ИП Долженков А. В. 302030, ул. Старо-Московская, д. 7,Телефон: (4862) 54-36-07, Факс:(4862) 54-36-07.



# Имена и адреса дистрибьютеров BLACK + DECKER

**Оренбург**, ООО "Уральский мастер", 460050, ул.Томиллинская, д. 238/1,Телефон: (3532) 53-26-11, 27-87-97, Факс: (3532) 53-26-11,  
**Орск**, ИП Балан Ю. Л. 462421, ул. Новосибирская, д. 90 ,Телефон: (3537) 42-10-99, **Орск**, ООО "Проминком", 462421, ул. Новосибирская, д. 211,Телефон: (3537) 28-15-29, **Пенза**, ООО "Анкор", 440600 ул. Гладкова, д. 10, Телефон: (8412) 55-32-27 ,  
**Пермь**, ООО "КУБ", 614064, ул. Героев Хасана, д. 41,Телефон: (342) 240-25-39, 240-25-38,Факс: (342) 240-25-38, **Петрозаводск**,  
ООО "Батя - Сервис", 185031, ул. Заводская, д. 4,Телефон: (8142) 74-72-42, 77-15-77, **Псков**, ООО "Сервисный центр "Мастер",  
180006, ул. Первомайская, д. 33,Телефон: (8112) 72-45-55, 72-30-56,Факс: (8112) 72-45-55, 72-30-56, **Сочи**, ИП Никишина Т. Л.,  
354000, ул. 20-й Горнострелковой дивизии д. 16,Телефон: (8622) 241-25-92, **Симферополь**, ООО "Инструмент Крым", 295001, ул.  
Крылова, д. 21, (0652) 60-09-36, (978)735-43-12, **Севастополь**, ИП Малинка А. Н., 299033, ул. Льва Толстого, д. 7, (978)  
018-27-90,**Пятигорск**, ООО "Электра", 357500, ул. Суворовский проезд, д. 1 А, Телефон:(8793) 38-27-57 Факс: (8793) 38-27-57.  
**Ростов-на-Дону**, ИП Холод В. Н., 344004, ул. Нансена, д. 140,Телефон: (863) 279-03-05, 8(938)160-52-52. **Ростов-на-Дону**, ООО  
"Электротрактор-Сервис", 344079, ул. Нансена, д. 77 (863) 295-74-65, **Рязань**, ООО "С-ФК",390000, ул. Садовая, д. 33,Телефон:  
(4912) 28-20-16, 92-34-72,Факс: (4912) 28-20-16, **Рязань**, ИП Ильина Н. С., 390037, ул. Зубковой, д.8 А, Телефон: (4912)  
32-07-81,Факс: (4912) 32-07-81, **Самара** "ЭлектроМаркт", 443052, ул. Земеца, д. 25,Телефон: (846) 955-24-14, Факс: (846)  
955-24-14, **Самара**, ООО "Специалист", 443080, ул. 4-й проезд, д. 66,Телефон: (846) 342-52-61, Факс: (846) 342-52-61,  
**Санкт-Петербург**, ООО "Инфраком - Сервис", 190103, ул. наб. Обводного канала, д. 187, литер Д, Телефон: (812) 777-0-111,  
251-83-39,Факс: (812) 251-83-74, 575-48-13, Санкт-Петербург, ООО "Электра", 190013, ул. Рузовская, д. 5/13, литер А, пом. 6-Н.  
Телефон: (812) 647-35-68,Факс: (812) 647-35-68, **Саратов**, ИП Петриченко В. В., 410005, ул. Соколова, д. 376,Телефон:(8452)  
27-26-55, 69-26-15, 69-30-16,Факс: (8452) 69-30-37, **Саратов**, ООО "Дровосек", 410004, ул. Чернышевского, д. 88,Телефон: (8452)  
20-03-81,20-03-87, Факс:(8452) 20-03-81,20-03-87, **Серпухов**, ИП Бекренев Г. А. 142200, деревня Борисово, Данковское шоссе, д.  
3А,Телефон: (4967) 76-12-80, (926) 617-10-19, **Смоленск**, ИП Шульман А. И. 214004, ул. 2-й Красинский переулок, д. 14,Телефон:  
(4812) 32-15-42,Факс: (4812) 32-15-42, **Сокол**, ООО "Домострой", 162130 ул. Набережная Свободы, д. 52,Телефон: (81733) 2-29-79,  
2-26-72,Факс: (81733) 2-29-79, 2-26-72, **Сочи**, ИП Семенченко Т. В. 354000, ул. Транспортная, д./78,Телефон: 8-965-481-13-05,  
**Сочи**, ИП Никишина Т. Л., 352002, ул. 20-й Горнострелковой, дивизии д.16,Телефон: (8622) 25-52-13, **Ставрополь**, ИП Матвеев А.  
Б., 355002, ул. 50 лет ВЛКСМ, д. 89,Телефон: (8652) 55-41-35,Факс: (8652) 55-46-13. **Стерлитамак**, ИП Исаев А. В., 453118, ул.  
Худайбердина, д. 202 А,Телефон: (3473) 41-41-19. **Тамбов**, ИП Поликашин Ю. В., 392000, ул. Монтажных, д. 8 А,Телефон: (4752)  
50-47-67. **Тольятти**, ООО "Инструмент сервис" 445000,ул.Офицерская, д. 24,Телефон: (8482) 51-58-13, 51-54-48, Факс:(8482)  
51-54-48. **Томск**, ИП Брусиныч Н. К. 634061 ул. Герцена, д. 72,Телефон: (3822) 52-25-02, 97-95-73, Факс: (3822) 52-34-73. **Томск**, ИП  
Обухов М. Г.,634063,ул. Мичурина, д. 47, стр. 1,Телефон: (3822) 67-95-74, Факс: (3822) 67-95-74. **Тюмень**, ООО "Спецтехника",  
625026, ул. Республики, д. 143, ост. Газпром, Телефон: (3452) 31-03-11, 20-55-97, Факс: (3452) 20-55-97. **Туапсе**, ИП Гвилава В. Б.,  
352800, ул. Армавирская, д. 8 Б, Телефон: (918) 600-32-42, Факс: (86167) 2-54-47, **Тула**, ИП Машинков Ю. Н., 300041, ул.  
Коминтерна, д. 24,Телефон: (4872) 55-87-21, **Узловая**, ООО "Инструмент-сервис", 301600, ул. Треугова, д. 31 А,Телефон: (48731)  
6-29-64, Факс: (48731) 6-29-64. **Улан-Удэ**, ИП Коркина О. Ю., 670031, ул. Сахьяновская, д. 9 В, Телефон: (3012) 43-70-54, 43-58-61,  
Факс: (3012) 43-58-61. **Ульяновск**, ООО "ДПС", 432071, ул. пр-т Нариманова, д. 1, Телефон: (8422) 37-01-46, Факс: (8422) 37-01-46,  
**Ульяновск**, ООО "Дровосек", 432017, ул. Минаева, д. 12, Телефон: (8422) 32-21-28, Факс: (8422) 32-21-28. **Уфа**, ИП Мингалев А. В.,  
450078, ул. Кирова, д. 101,Телефон: (347) 246-31-86, Факс: (347) 246-31-86, **Ухта**, ООО "ТМ Мушковой Инструмент", 169300, ул.  
**Интернациональная**, д.40,Телефон: (8216) 72-09-00, **Хабаровск**, ООО "БизнесСтройИнструмент", 680014, ул. Переулк Гражарный,  
д. 4, Телефон: (4212) 40-07-78, Факс: (4212) 40-07-77, **Чебоксары**, ИП Васильев А. Ю., 428000, ул. Базовый проезд, д. 8 Б,Телефон:  
(8352) 57-39-62, **Челябинск**, ИП Альперхова Д.П., 454138, ул. Молодогвардейцев, д. 7, корп.3,Телефон: (351) 267-50-01, 267-50-04,  
Факс: (351) 267-50-01, 267-50-04. **Череповец**, ИП Исупов А. А., 162614 ул. Вологодская, д. 50 А, Телефон: (8202) 202-102, доб.3.  
**Ярославль**, ООО "ЦентрРегионСервис", 150014, ул. Рыбинская, д. 30/30, Телефон: (4852) 20-05-28, 20-05-29, Факс: (4852) 20-05-29,  
**Ярославль**, ООО "ЯрБошСервис", 150040, ул. пр-т Ленина, д. 37/73, пом. 69, 70, 71 Телефон: (4852) 73-34-91. **Примьный Пункт**,  
Саранск, ООО "ФиТеС", 430030, ул., Титова, д. 4, Телефон: (8342) 23-32-23, Факс: (8342) 23-32-23. **Тверь**, ООО "Левша", ул. наб.  
Никитина, д. 142, Телефон: (4822) 52-27-87. **Камышин**, ООО "Инструмент-Сервис" 403873, ул. Пролетарская, д. 115 Б, Телефон:  
(84457) 5-27-27 Факс: (84457) 5-27-27. **Новоосовецк**, ООО "Инструмент-Сервис" 301660, ул. Мира, д.17 А, Телефон: (48762)  
7-90-37, **Украина**, Донецк, ДП "ЭСКО-Днепр", 83018, ул. Ершова, д. 10, 38(062), Телефон: 349-24-20, Факс: 349-24-30 ,  
**Днепропетровск**, ООО "ЭСКО-Днепр", 49038, ул. Возкальная, д. 6, Телефон: 38(056) 770-60-28, Факс: 38(062) 349-24-10.  
**Запорожье**, ООО "Альцест - Запорожье", 69057, ул. 40 лет Советской Украины, д. 86Б, Телефон: 38(061) 220-28-13, Факс: 38(0562)  
311-971 **Ивано-Франковск**, АОЗТ "Альцест-Карпаты", 76000, ул. Мельничука, д. 8, Телефон: 38(0342) 50-24-04, Факс: 38(061)  
701-71-52, 53 , **Киев**, ООО ПКП "ЭСКО", 04073, ул. Сырецкая, д. 33Ш, Телефон: 38(044) 581-11-25, Факс: 38(0342) 50-24-04. **Львов**,  
ООО "Дом инструментов ", 79020, ул. Замарастыновская, д. 76, Телефон: 38(0322) 24-72-13, 24-72-51, Факс: 38(044) 581-11-25.  
**Одесса**, ДП "ЭСКО-Одесса", 65033, ул. Строганова, д. 29А, 38(0482) 37-61-76, 38(0322) 24-72-13, **Харьков**, ФЛП Коротченко Е.В.,  
61001, ул. Юлия Чигирина, д. 13, Телефон: 38(057) 731-97-22,24,26, Факс: 38(0652) 600-936. **Луцк**, ФОП "Крукочев В. С.", 43024, пр.  
Соборности, д. 11 а, Телефон: 38(0332) 29-97-90, Факс: 38(057) 731-97-22, 24, 26, **КривойРог**, ЧП"Коновал А. В.", 50000, пр. Мира,  
д. 16, Телефон: 38(056) 404-03-45, Факс: 38(0332) 29-97-90, **Херсон**, ФОП Пархоменко Игорь Алексеевич, 73000, ул. Дровника, д. 12,  
Телефон: 38(0552) 39-06-90 Факс: 38(0552) 39-06-90. **Армения**, Ереван, ПК "АРЕГ", 0070, ул. Вардананца, д. 28, Телефон: (37410)  
57-02-31, Факс: (37410) 57-02-38. **Беларусь**, Минск, УП "18", 220049, ул. Волгоградская, д. 13, к. 8, Телефон: (017) 280-77-81,  
280-76-93, Факс: (37517) 207-22-78, 251-43-07. **Казахстан**, Алматы, ТОО "Ламэд", 050060, ул. Березовского, д. 3А, Телефон: (727)  
244-64-46, Факс: (727) 244-64-46, **Актобе**, Филиал ТОО "Ламэд", 030000, ул., Санкибай Батыра, д. 4 Л, Телефон: (7132) 53-86-80,  
Факс: (7132) 51-05-54. **Астана** Филиал ТОО "Ламэд", 010000, ул. Пушкина, д. 37/1,Телефон: (7172) 47-81-37, Факс: (7172) 54-16-47.  
**Усть-Каменогорск**, ТОО "Алтай-Метиз", 070003 , ул. Космическая, д. 4/19, Телефон: (7232) 53-45-44, Факс: (7232) 76-54-93.  
**Кустанай**, ИП Шипилкин В. Г., 110000, ул. Складская, бутик № 35,Телефон: (7142) 39-25-24, Факс: (7142) 56-62-67. **Павлодар**, ТОО  
"ЛСА - Сервис", 140000, ул. Академика Бектурова, д. 58, Телефон:(7182) 32-08-68. **Грузия**, Тбилиси, ООО "Кавкасия 99", 0141, ул.  
Ксанская №22, Телефон: (832) 260 94 49. **Тбилиси**, ООО "Евротехнологии", 177, ул.пр-т Казбеги, 26, Телефон: (832) 238 52 38.  
**Азербайджан**, Баку, ООО "Сантрал Электрик", AZ1029, ул. пр-т Зии Буньятова 2071-квартал, Телефон: (994) 12 514-40-46.

Şehir	Servis Adı	Adres	Telefon
Adana	Emin Elektrik Bobinaj	Karasu Mah. Kızılay Cad. 28006 Sok. No: 9/D Seyhan	0322 351 80 46
Adana	Demir Elektrik	Karasu Mah. Kızılay Cad. Güngör Pasajı No: 12 Seyhan	0322 352 97 95
Afyon	Katar Bobinaj	Güvenevler Mahallesi 1. San. Sitesi 622 Sokak 6. Blok No :12/A	0272 214 48 64
Ağrı	Tamgüç Bobinaj	Yavuz Mah. Kağızman Cad. Bülbül Sok. No: 51	0472 215 70 41
Amasya	Akotek Ticaret	Yeni Yol Cad. No: 85	0358 218 71 19
Ankara	Başak Elektrik	Başkent Orta San. Sit. 664. Sok. No: 28 Ostim	0312 386 20 84
Ankara	Tezcan Elektrik Bobinaj	1230/1 Sok. No:38 Ostim	0312 354 80 21
Ankara	Tezcan Elektrik Bobinaj	ŞubeYeni San. Sit. Demir Cad. No:64 Dışkapı	0312 311 28 09
Ankara	Tezcan Elektrik Bobinaj Şube	Çalın Sok. No: 32/E Sitelar	0312 348 63 88
Antalya	Yaşar Bobinaj	Aşağı Pazarcı Mah.1068 Sok. No: 19 Manavgat	0242 744 47 07
Antalya	Uslu Bobinaj	G. Pınarı Mah. Oba Yolu Üzeri No: 27/C Alanya	0242 511 57 01
Antalya	Gözde Bobinaj	Akdeniz San. Sit. 5010 Sok. No: 25 Kepez	0242 221 40 30
Antalya	E.B.A Teknik	Cumhuriyet Mah. Eski San. Sit. 682 Sok. No: 38	0242 345 36 22
Aydın	Ege Bobinaj	Yeni Mah. Atatürk Bul. No: 206/E Didim	0256 811 05 95
Aydın	Ozen Bobinaj	Ata Mah. Tepecik Bulvarı No:39	0256 227 07 07
Balıkesir	Küre Bobinaj	Atatürk Cad. No: 109 Bandırma	0266 718 46 79
Balıkesir	Tezger Bobinaj	Yeni San. Sit. Cumhuriyet Cad. No:198	0266 246 23 01
Batman	Topiz Bobinaj	Cumhuriyet Mah. 1512 Sok. No: 35/A	0488 214 87 70
Bolu	Moral Elektrik Bobinaj	Karamanlı Mah. Konuralp Cad. Bilgi Apt. No: 24	0374 210 02 32
Bursa	Vokart Ltd. Şti.	Gasızlar Cad. Eriklı Bağçe Sok. No: 7/B Osmangazi	0224 254 48 57
Bursa	Çağ Teknik Bobinaj	Yeni San. Orhangazi Cad. No:23 Inegöl	0224 715 57 37
Bursa	Vokart Ltd. Şti. Şube	Beşevler Küçük San. Sit. Ertuğrul Cad. 13. Satış Blok No: 19 Nilüfer	0224 441 57 00
Çanakkale	Ovalı Bobinaj	Hamdi Bey Mah. İstiklal Cad. No: 160 Biga	0286 316 49 66
Çanakkale	Kısacık Bobinaj	Namık Kemal Mah. Kaynak Sok. No: 41	0286 217 96 71
Çorum	Emek Bobinaj	Küçük San. Sit. 23. Cad. No: 5/C	0364 234 68 84
Denizli	Örsler Bobinaj	Ahisinan Cad. 171 Sok. Sedef Çarşısı No: 9/10	0258 261 42 74
Diyarbakır	Çetsan Elektrik	San. Sit. Karakol Sok. No: 1	0412 237 29 04
Düzce	Yıldız Makina	Burhanıye Mah. Gen. Kazım Sok. No: 10	0380 514 70 56
Düzce	Berke Makine	Kültür Mah. 793 Sok. No:10	0380 524 83 83
Edirne	Eray Bobinaj	Eski San. Sit. 12. Blok No: 9	0284 225 92 92
Elazığ	Kalender Elektrik Bobinaj	San. Sit. 11. Sok. No: 46	0424 224 85 01
Erzincan	Ümit Elektrik Makina	Karaağaç Mah. Sümerbank Cad. No:18/3	0446 224 08 01
Erzurum	Ümit Teknik	Bakırçı Mah. Bakırçı Sok. No: 1	0442 235 05 72
Erzurum	Teknik Makina Bobinaj	Demirciler San. Sit. 1. Blok D: 46 Yakutiye	0442 243 17 34
Eskişehir	Escan Hırdavat	İhsaniye Mah. Kırm Cad. No: 71/A	0222 321 20 40
Gaziantep	Eser Bobinaj	Küçük San. Sit. A Blok 11. Cad. 25. Ada No: 55 Ş. Kamil	0342 235 30 84
Gaziantep	Karavaşın Bobinaj	İsmet Paşa Mah. Şenyurt Cad. No: 35	0342 231 17 33
Hatay	Öz Kardeş Bobinaj	Yeni San. Sit. 38/A Blok No: 53	0326 221 22 91
İsparta	Izmir Bobinaj	Yeni San. Sit. 5 Blok No: 28	0246 223 70 11
İstanbul	Altek Mekatronik	İçmeler Mah. Ankara Cad. Erdoğan Sok. No: 5/C Tuzla	0216 494 03 43
İstanbul	Tarıf Makina	Bağdat Cad. Adalı Sok. No: 8 Maltepe	0216 370 21 11
İstanbul	Fırat Dış Ticaret	Tersane Cad. Zincirli Han Sok. No:3/A Karaköy	0212 252 93 43
İstanbul	Birlik Elektromekanik	Perpa Tic. Mer. B Blok Mavi Avlu Kat. 4 No: 318 Okmeydanı	0212 222 94 18
İstanbul	Kardeşler Bobinaj	Kağıthane Cad. No: 47 Çağlayan	0212 224 97 54
İstanbul	Mert Elektrik	İktisli Org. Demirciler San. Sit. D/2 Blok No: 280 İktisli	0212 549 65 78
İstanbul	Orjinal Elektrik	Bağlar Mah. Mimar Sinan Cad. No: 24 Güneşli	0212 515 67 71
İstanbul	Akai El. Servis Hizmetleri	Nato Yolu Cad. Tamer Sok. No: 1 Yukarı Dudullu Ümraniye	0216 540 53 54
İstanbul	Firat Dış Ticaret Şube	Yakuplu Merkez Mah. 63. Sok. Ağaogulları Plaza A Blok No:9/A Beylikdüzü	0212 876 63 51
İstanbul	Zirve Teknik	Mehmet Akif Ersoy Mah. Atatürk Cad. No: 58/B Sultanbeyli	0216 419 24 34
İzmir	Çetin Bobinaj	Cüneyt Bey Mah. İbrahim Turan Cad. No 98/A Menderes	0232 782 73 00
İzmir	Birlik Bobinaj	2824 Sok. No: 18 1. San. Sit. Halkapınar	0232 458 39 40
İzmir	Boro Cıvata	1203 Sok. Baltalı İş Merkezi C Blok. No: 18/C Yenisehir	0232 469 80 72
İzmir	Doruk Hırdavat	1426 Sok. No: 14 Hurdacılar Sitesi Doğanlar Bornova	0232 478 14 12
Kahramanmaraş	Bayram Bobinaj	Menderes mah. Girne Cad. No: 82	0344 281 08 26
Karabük	Damla Elektrik Bobinaj	Hürriyet Mah. Aktaş Cad. No: 17/B	0370 412 77 00
Karaman	Özüm Elektrik Bobinaj	Yeni San. Sit. 735. Sok. No: 2	0338 212 32 69
Kastamonu	Teknik Bobinaj	İnönü Mah. İnebulu Cad. No: 132	0366 212 62 26
Kayseri	Akın Elektrik Bobinaj	Eski San. Bölgesi 5. Cad. No: 8	0352 336 41 23
Kayseri	Akın Elektrik Bobinaj Şube	Ağaç İşleri San. Sit. 29. Cad. No:84 Melikgazi	0352 311 41 74
Kocaeli	Gülsoy Bobinaj	S. Orhan Mah. İlyas Bey Cad. 1111 Sok. No:5/1 Gebze	0262 646 92 49
Kocaeli	Teknik Karot	Gasızlar Mah. İbrahimdağ Cad. No: 159/A Gebze	0262 642 26 86
Kocaeli	Efe Elektrik Bobinaj	Körfez San. Sit. 12. Blok No: 11	0262 335 18 94
Konya	Sözömler Bobinaj	Fevzi Çakmak Mah. Komsan İş Merkezi Anamur 10562 Sok. No: 8	0332 342 63 18
Konya	MEB Murat Elk. Bobinaj	Karatay San. Sit. Fatih Mah. Çiçekli Sok. No: 10	0332 235 64 63
Kütahya	Doğan Bobinaj	Yeni San. Sit. 19. Sok. No: 32	0274 231 22 00
Malatya	Özer Bobinaj	Yeni San. Sit. 2. Cad. No: 95	0422 336 39 53
Manisa	Çavuş Bobinaj	Kurtuluş Mah. Fatih Cad. No: 44/A Soma	0236 614 13 78
Mersin	Coşkun Bobinaj	Mahmudiye Mah. 4810 sok. No: 68 Akdeniz	0324 337 31 61
Mersin	Üniversal Bobinaj	Yeni Mah. Çiftçiler Cad. No:12/B Akdeniz	0324 233 44 29
Muğla	Başaran Teknik	Beldibi Cad. Sanayi Girişi No: 5/C Marmaris	0252 419 20 29
Muğla	General Elektrik Bobinaj	Tuzla Mah. Adnan Menderes Bulvarı No: 37/A	0252 612 38 34
Muğla	Özseker Bobinaj	San. Sit. Demiröz Sok. No: 3 Bodrum	0252 313 11 02
Neuşehir	Çiftçü Soğutma	Yeni San. Sit 8 Blok No: 28	0384 213 19 96
Niğde	Emek Motor	Eski San. Çarşısı 1. Blok No: 2	0388 232 83 59
Sakarya	Engin Elektrik Bobinaj	Maltepe Mah. Orhan Gazi Cad. Şehit Metin Akkuş Sok. No: 19	0264 291 05 67
Samsun	Akış Bobinaj	Ülüs Cad. San. Sit. Keresteciler Kısmı No: 40	0362 238 07 23
Sivas	Bayraktar Elektrik	Camii Kebir Mah. Mahkemecarşısı Cad. No:40/C	0346 221 47 55
Şanlıurfa	Ay Elektrik	Samsat Kapaşaroglu Garajı No: 7	0414 215 74 76
Tekirdağ	Birkan Teknik	Şehsinan Mah. Ereğli Sok. No: 25	0282 654 50 91
Tekirdağ	Çetin Elektrik Bobinaj	100. Yıl San. Sit. 14B Blok No: 10	0282 263 86 60
Tokat	Çetin Elektrik Bobinaj	San. Sit. Camii Altı No: 22	0356 214 63 07
Trabzon	Akçay Bobinaj Makina	Yaylacık Mah. Tosun San Sit No: 3 Akçaabat	0462 227 54 26
Trabzon	Makina Market	Rize Cad. No: 71 Değirmendere	0462 328 14 80
Uşak	Zengin Bobinaj	İslicce Mah. Ş. İbrahim Aydın Sok. No:12	0276 227 27 46
Van	Özen Elektrik Bobinaj	Vali Mithatbey Mah. Koçbey Cad. Armoni İş Merkezi No: 23	0432 214 22 27
Yalova	Deniz El. Ser. Hizmetleri	Hürriyet Mah. Devlet Yolu Üzeri No: 54/1	0226 461 22 43
Zonguldak	Aytekin Elektrik	Kışla San. Sit. 1 Blok No: 24 Kdz. Ereğli	0372 136 39 71

**GB** WARRANTY CARD

**BY** ГАРАНТЙНЫЙ ТАЛОН

**RUS** ГАРАНТИЙНЫЙ ТАЛОН

**KZ** КЕПІЛДІК ТАЛОН

**UA** ГАРАНТІЙНИЙ ТАЛОН

**UZ** ГАРАНТИЯ ЧИПТАСИ



**GB** months

**BY** месяцы

**RUS** месяца

**KZ** ай

**UA** місяці

**24**

**UZ** ой

<b>GB</b> Serial No.	Date of sale	Selling stamp, Signature
<b>RUS</b> Серийный номер	Дата продажи	Печать и подпись торговой организации
<b>UA</b> Серійний номер	Дата продажу	Печатка та підпис торгівельної організації
<b>BY</b> Серийны нумар	Дата продажы	Пячатка і подпіс гандлёвай установы
<b>KZ</b> Сериялық нөмір	Сату күні	Сауда ұйымының мөрі мен қолтанбасы
<b>UZ</b> Серия сони	Сотилган куни	Савдо корхонанинг мухр ва имзоси

№ 1

Order No. / Заказ № / Замовлення №

Date of receipt/ Дата поступления/ Дата прийому

Date of receipt/ Дата выдачи/ Дата видання

Stamp and signature of the service centre/  
Печать и подпись сервисного центра/  
Печатка та підпис сервісного центру

№ 1

Order No. / Заказ № / Замовлення №

Date of receipt/ Дата поступления/ Дата прийому

Stamp and signature of the service centre/  
Печать и подпись сервисного центра/  
Печатка та підпис сервісного центру

№ 2

Order No. / Заказ № / Замовлення №

Date of receipt/ Дата поступления/ Дата прийому

Date of receipt/ Дата выдачи/ Дата видання

Stamp and signature of the service centre/  
Печать и подпись сервисного центра/  
Печатка та підпис сервісного центру

№ 2

Order No. / Заказ № / Замовлення №

Date of receipt/ Дата поступления/ Дата прийому

Stamp and signature of the service centre/  
Печать и подпись сервисного центра/  
Печатка та підпис сервісного центру

№ 3

Order No. / Заказ № / Замовлення №

Date of receipt/ Дата поступления/ Дата прийому

Date of receipt/ Дата выдачи/ Дата видання

Stamp and signature of the service centre/  
Печать и подпись сервисного центра/  
Печатка та підпис сервісного центру

№ 3

Order No. / Заказ № / Замовлення №

Date of receipt/ Дата поступления/ Дата прийому

Stamp and signature of the service centre/  
Печать и подпись сервисного центра/  
Печатка та підпис сервісного центру

№ 4

Order No. / Заказ № / Замовлення №

Date of receipt/ Дата поступления/ Дата прийому

Date of receipt/ Дата выдачи/ Дата видання

Stamp and signature of the service centre/  
Печать и подпись сервисного центра/  
Печатка та підпис сервісного центру

№ 4

Order No. / Заказ № / Замовлення №

Date of receipt/ Дата поступления/ Дата прийому

Stamp and signature of the service centre/  
Печать и подпись сервисного центра/  
Печатка та підпис сервісного центру

№ 4	№ 3	№ 2	№ 1
Заказ №/Талсырыс №/Буюртма №	Заказ №/Талсырыс №/Буюртма №	Заказ №/Талсырыс №/Буюртма №	Заказ №/Талсырыс №/Буюртма №
Дата прыемки/Кабылдау күні/Кабул килинган күни	Дата прыемки/Кабылдау күні/Кабул килинган күни	Дата прыемки/Кабылдау күні/Кабул килинган күни	Дата прыемки/Кабылдау күні/Кабул килинган күни
Дата выдачы/Беру күні/Кайтарыб берилган күни	Дата выдачы/Беру күні/Кайтарыб берилган күни	Дата выдачы/Беру күні/Кайтарыб берилган күни	Дата выдачы/Беру күні/Кайтарыб берилган күни
Пячатка і подпіс сэрвіснага цэнтра/ Сервіс орталыгының мөрі мен колтанбасы/ Сервіс марказининг муҳр ва имзоси	Пячатка і подпіс сэрвіснага цэнтра/ Сервіс орталыгының мөрі мен колтанбасы/ Сервіс марказининг муҳр ва имзоси	Пячатка і подпіс сэрвіснага цэнтра/ Сервіс орталыгының мөрі мен колтанбасы/ Сервіс марказининг муҳр ва имзоси	Пячатка і подпіс сэрвіснага цэнтра/ Сервіс орталыгының мөрі мен колтанбасы/ Сервіс марказининг муҳр ва имзоси
----- № 4	----- № 3	----- № 2	----- № 1
Заказ №/Талсырыс №/Буюртма №	Заказ №/Талсырыс №/Буюртма №	Заказ №/Талсырыс №/Буюртма №	Заказ №/Талсырыс №/Буюртма №
Дата прыемки/Кабылдау күні/Кабул килинган күни	Дата прыемки/Кабылдау күні/Кабул килинган күни	Дата прыемки/Кабылдау күні/Кабул килинган күни	Дата прыемки/Кабылдау күні/Кабул килинган күни



Пячатка і подпіс сэрвіснага цэнтра/  
Сервіс орталыгының мөрі мен колтанбасы/  
Сервіс марказининг муҳр ва имзоси

Пячатка і подпіс сэрвіснага цэнтра/  
Сервіс орталыгының мөрі мен колтанбасы/  
Сервіс марказининг муҳр ва имзоси

Пячатка і подпіс сэрвіснага цэнтра/  
Сервіс орталыгының мөрі мен колтанбасы/  
Сервіс марказининг муҳр ва имзоси

Пячатка і подпіс сэрвіснага цэнтра/  
Сервіс орталыгының мөрі мен колтанбасы/  
Сервіс марказининг муҳр ва имзоси

# АВТОРИЗОВАННЫЕ СЕРВИСНЫЕ ЦЕНТРЫ



Сервисная сеть BLACK+DECKER постоянно расширяется.  
Информацию об обслуживании в других городах Вы можете получить по телефонам  
в Москве: (495) 258 39 81/2/3, в Киеве: (044) 238 95 94, [www.blackanddecker.ru](http://www.blackanddecker.ru)

---

„Исправный и полностью укомплектованный товар получил(а), с гарантийными условиями ознакомлен(а)/  
Справний та повністю укомплектований товар отримав(ла), з гарантійними забор'язаннями ознайомлен(а)/  
Спра ны і по насцю укомплектаваны тавар атрыма(ла), з гарантійнымі умовамі азнаёмлены(а)/  
Т зу ж не толы жина тал ан тауар абылдадым, кепілдік шарттарымен таныстым/  
Т затилган ва тулик комплектли махсулотни олдим, гарантия шартлари билан танишиб чикдим“

---

Подпись покупателя/ Підпис покупця/ Подпис закупника/ Сатып алушыны олтанбасы/ Хариддорнинз имзоси

## İTHALATÇI FİRMA

Ünvanı	: Kale Hırdavat ve Makina A.Ş.
Adresi	: Deferdar Mah. Savaklar Cad. No:15 Edirnekapı - Eyüp / İSTANBUL
Telefon No.	: (0212) 533 52 55 (Pbx)
Faks No.	: (0212) 533 10 05
E-mail	: info@kalemakina.com



## ÜRÜNÜN

Cinsi	:
Markası	: BLACK+DECKER
Modeli	:
Seri Numarası	:
Garanti Süresi	: 2 YIL
Azami Tamir Süresi	: 20 İŞ GÜNÜ

## SATICI FİRMANIN

Ünvanı	:
Adresi	:
Telefon No.	:
Faks No.	:
Fatura Tarih ve No.	:
Ürün Teslim Tarihi	:
Ürün Teslim Yeri	:
Belgeyi Dolduranın Adı Soyadı :	:

Kaşe - Yetkili İmza

## GARANTİ ŞARTLARI

- Garanti süresi, malın teslim tarihinden itibaren başlar ve 2 yıldır.
- Malın bütün parçaları dahil olmak üzere tamamı firmamızın garantisine kapsamındadır.
- Malın ayıplı olduğunun anlaşılması durumunda tüketici, 6502 sayılı Tüketicinin Korunması Hakkında Kanunun 11 inci maddesinde yer alan;
  - Sözleşmeden dönme,
  - Satış bedelinden indirim isteme
  - Ücretsiz onarılmasını isteme
  - Satılanın ayıpsız bir misli ile değiştirilmesini isteme,haklarından birini kullanabilir.
- Tüketicinin bu haklardan ücretsiz onarım hakkını seçmesi durumunda satıcı; işçilik masrafı, değiştirilen parça bedeli ya da başka herhangi bir ad altında hiçbir ücret talep etmeksizin malın onarımını yapmak veya yaptırmakla yükümlüdür. Tüketici ücretsiz onarım hakkını üretici veya ithalatçıya karşı da kullanabilir.

Satıcı, üretici ve ithalatçı tüketicinin bu hakkını kullanmasından müteselsilen sorumludur.
- Tüketicinin, ücretsiz onarım hakkını kullanması halinde malın;
  - Garanti süresi içinde tekrar arızalanması,
  - Tamiri için gereken azami sürenin aşılması,
  - Tamirinin mümkün olmadığının, yetkili servis istasyonu, satıcı, üretici veya ithalatçı tarafından bir raporla belirlenmesidurumlarında; tüketici malın bedel iadesini, ayıp oranında bedel indirimini veya imkan varsa malın ayıpsız misli ile değiştirilmesini satıcıdan talep edebilir.
- Satıcı, tüketicinin talebini reddedemez. Bu talebin yerine getirilmemesi durumunda satıcı, üretici ve ithalatçı müteselsilen sorumludur.
- Malın tamir süresi 20 iş gününü geçemez. Bu süre, garanti süresi içerisinde mala ilişkin arızanın yetkili servis istasyonuna veya satıcıya bildiri tarihinde, garanti süresi dışında ise malın yetkili servis istasyonuna teslim tarihinden itibaren başlar. Malın arızasının 10 iş günü içerisinde giderilmemesi halinde, üretici veya ithalatçı; malın tamiri tamamlanıncaya kadar, benzer özelliklere sahip başka bir malı tüketicinin kullanımına tahsis etmek zorundadır. Malın garanti süresi içerisinde arızalanması durumunda, tamirde geçen süre garanti süresine eklenir.
- Malın kullanma kılavuzunda yer alan hususlara aykırı kullanılmasından kaynaklanan arızalar garanti kapsamı dışındadır.
  - Garanti kapsam şartları;
  - Ürün hatalı kullanılmamıştır.
  - Ürün yıpranmamış, hırpalanmamış ve aşınmamıştır.
  - Yetkili olmayan kişilerce tamire çalışılmamıştır.
  - Satın alma belgesi (fatura) ibraz edilmiştir.
  - Ürün, tüm orijinal parçaları ile iade edilmiştir.
- Tüketici, garantiden doğan haklarının kullanılması ile ilgili olarak çıkabilecek uyuşmazlıklarda yerleşim yerinin bulunduğu veya tüketici işleminin yapıldığı yerdeki Tüketici Hakem Heyetine veya Tüketici Mahkemesine başvurabilir.
- Satıcı tarafından bu Garanti Belgesinin verilmemesi durumunda, tüketici Gümrük ve Ticaret Bakanlığı Tüketicinin Korunması ve Piyasa Gözetimi Genel Müdürlüğüne başvurabilir.

EEE Yönetmeliğine uygundur.

# KULLANMA KILAVUZU İÇİN EK BİLGİLER

-Taşıma ve nakliye sırasında dikkat edilecek hususlar;  
Cihazı taşıma ve nakliye esnasında hasar verecek şekilde taşınmamalı, bir yerden bir yere fırlatılmamalı, istifleme yapılırken dikkat edilmeli.

-Gümrük ve Ticaret Bakanlığı uyarınca belirlenen kullanım ömürleri aşağıdaki gibidir;

Testere Makineleri	7 yıl
Polisaj Makineleri	7 yıl
Matkaplar	7 yıl
Vidalama Makineleri	7 yıl
Zımpara Makineleri	7 yıl
Elektrikli Süpürgeler	10 yıl
Jeneratörler	10 yıl
Akümülatörler	5 yıl
Kesintisiz Güç Kaynakları	5 yıl
Dönüştürücüler	3 yıl
Çim-Ot-Çit Kesme Makineleri	5 yıl
Çim Biçme Makineleri	5 yıl
Zincirli Testere Makineleri	5 yıl
Çapalama Makineleri	5 yıl
Araç Buzdolapları	10 yıl
Buharlı Temizlik Makineleri	10 yıl

-Malın ayıplı olduğunun anlaşılması durumunda tüketici, 6502 sayılı Tüketici Korunması Hakkında Kanunun 11 inci maddesinde yer alan;

- Sözleşmeden dönme,
- Satış bedelinden indirim isteme
- Ücretsiz onarılmasını isteme
- Satılanın ayıpsız bir misli ile değiştirilmesini isteme,

haklarından birini kullanabilir.

-Tüketici, garantiden doğan haklarının kullanılması ile ilgili olarak çıkabilecek uyuşmazlıklarda yerleşim yerinin bulunduğu veya tüketici işleminin yapıldığı yerdeki Tüketici Hakem Heyetine veya Tüketici Mahkemesine başvurabilir.



**BLACK+**  
**DECKER**

**WARRANTY REGISTRATION CARD**

YOUR NAME/الإسم .....

.....

YOUR ADDRESS العنوان .....

.....

.....

.....

POSTCODE الرمز البريدي .....

.....

DATE OF PURCHASE تاريخ الشراء .....

.....

DEALER'S NAME & ADDRESS/إسم وعنوان البائع .....

.....

.....

Large empty rounded rectangular box for registration details.



PRODUCT MODEL NO. EPC128BK





