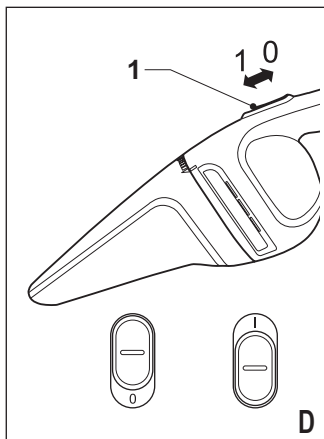
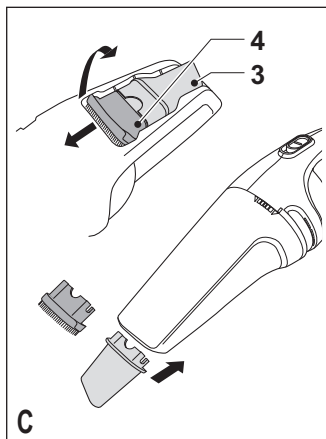
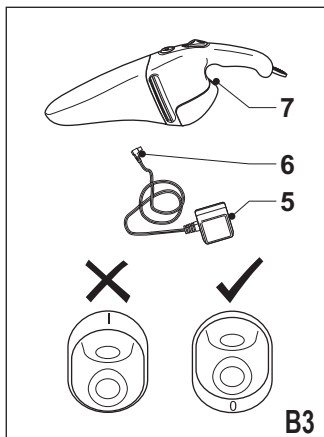
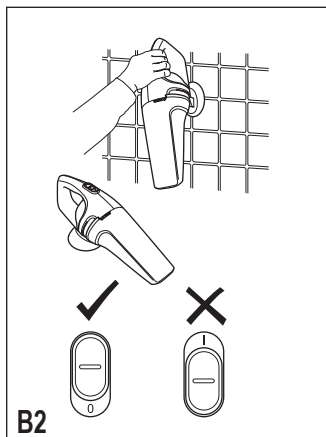
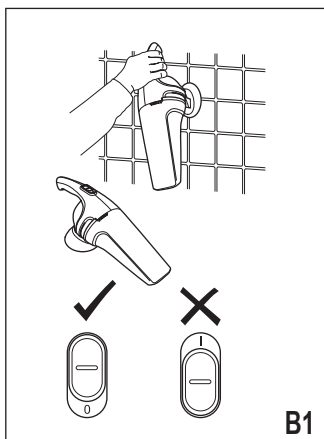
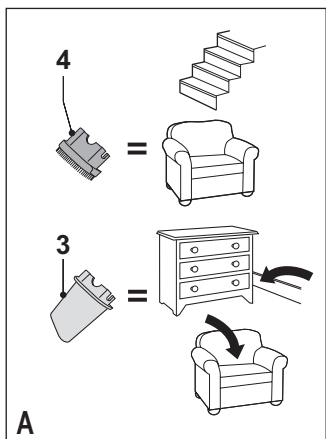
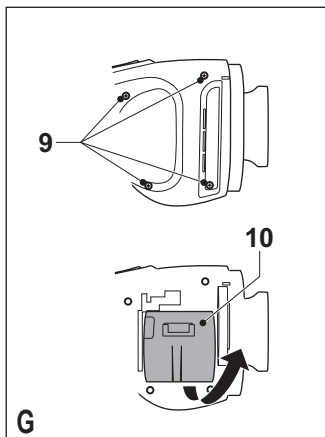
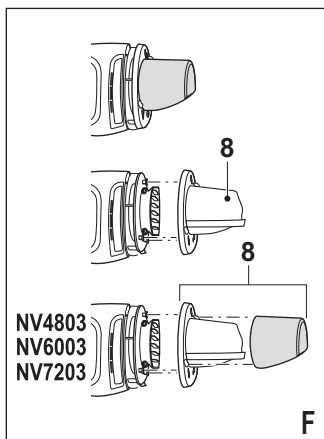
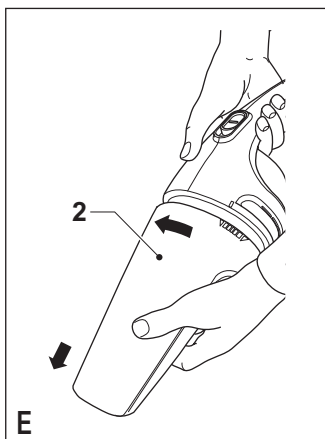


NV19XXYZ
NV24XXYZ
NV36XXYZ
NV48XXYZ
NV60XXYZ
NV72XXYZ





Intended use

Your Black & Decker Dustbuster® hand held vacuum cleaner has been designed for light dry vacuum cleaning purposes. This product is intended for household use only.

Safety instructions

- ◆ **Warning!** When using battery-powered appliances, basic safety precautions, including the following, should always be followed to reduce the risk of fire, leaking batteries, personal injury and material damage.
- ◆ Read this manual carefully before using the appliance.
- ◆ The intended use is described in this manual. The use of any accessory or attachment or the performance of any operation with this appliance other than those recommended in this instruction manual may present a risk of personal injury.
- ◆ Retain this manual for future reference.

Using your appliance

- ◆ Do not use the appliance to pick up liquids or any materials that could catch fire.
- ◆ Do not use the appliance near water. Do not immerse the appliance in water.
- ◆ Never pull the charger lead to disconnect the charger from the socket. Keep the charger lead away from heat, oil and sharp edges.

After use

- ◆ Unplug the charger before cleaning it.
- ◆ When not in use, the appliance should be stored in a dry place. Children should not have access to stored appliances.

Inspection and repairs

- ◆ Before use, check the appliance for damaged or defective parts. Check for breakage of parts, damage to switches and any other conditions that may affect its operation.

- ◆ Do not use the appliance if any part is damaged or defective.
- ◆ Have any damaged or defective parts repaired or replaced by an authorised repair agent.
- ◆ Regularly check the charger lead for damage. Replace the charger if the lead is damaged or defective.
- ◆ Never attempt to remove or replace any parts other than those specified in this manual.

Residual risks

Additional residual risks may arise when using the tool which may not be included in the enclosed safety warnings. These risks can arise from misuse, prolonged use, etc.

Even with the application of the relevant safety regulations and the implementation of safety devices, certain residual risks can not be avoided. These include:

- ◆ Injuries caused by touching any rotating/moving parts.
- ◆ Injuries caused when changing any parts, blades or accessories.
- ◆ Injuries caused by prolonged use of a tool. When using any tool for prolonged periods ensure you take regular breaks.
- ◆ Impairment of hearing.
- ◆ Health hazards caused by breathing dust developed when using your tool (example: working with wood, especially oak, beech and MDF).

Safety of others

- ◆ This appliance is not intended for use by persons (including children) with reduced physical, sensory or mental capabilities, or lack of experience and knowledge, unless they have been given supervision or instruction concerning use of the appliance by a person responsible for their safety.
- ◆ Children should be supervised to ensure that they do not play with the appliance.

Additional safety instructions for batteries and chargers

Batteries

- ◆ Never attempt to open for any reason.
- ◆ Do not expose the battery to water.
- ◆ Do not expose the battery to heat.
- ◆ Do not store in locations where the temperature may exceed 40 °C.
- ◆ Charge only at ambient temperatures between 10 °C and 40 °C.
- ◆ Charge only using the charger provided with the appliance/tool.
- ◆ When disposing of batteries, follow the instructions given in the section "Protecting the environment".
- ◆ Do not damage/deform the battery pack either by puncture or impact, as this may create a risk of injury and fire.
- ◆ Do not charge damaged batteries.
- ◆ Under extreme conditions, battery leakage may occur. When you notice liquid on the batteries, proceed as follows:
 - ◆ Carefully wipe the liquid off using a cloth. Avoid skin contact.
 - ◆ In case of skin or eye contact, follow the instructions below.

Warning! The battery fluid may cause personal injury or damage to property. In case of skin contact, immediately rinse with water. If redness, pain or irritation occurs seek medical attention. In case of eye contact, rinse immediately with clean water and seek medical attention.

Chargers

Your charger has been designed for a specific voltage. Always check that the mains voltage corresponds to the voltage on the rating plate.

Warning! Never attempt to replace the charger unit with a regular mains plug.

- ◆ Use your Black & Decker charger only to charge the battery in the appliance/tool with which it was supplied. Other batteries could burst, causing personal injury and damage.
- ◆ Never attempt to charge non-rechargeable batteries.

- ◆ If the supply cord is damaged, it must be replaced by the manufacturer or an authorised Black & Decker Service Centre in order to avoid a hazard.
- ◆ Do not expose the charger to water.
- ◆ Do not open the charger.
- ◆ Do not probe the charger.
- ◆ The appliance/tool/battery must be placed in a well ventilated area when charging.

Electrical safety

Your charger has been designed for a specific voltage. Always check that the mains voltage corresponds to the voltage on the rating plate. Never attempt to replace the charger unit with a regular mains plug.

- ◆ This appliance is not intended for use by persons (including children) with reduced physical, sensory or mental capabilities, or lack of experience and knowledge, unless they have been given supervision or instruction concerning use of the appliance by a person responsible for their safety.
- ◆ Children should be supervised to ensure that they do not play with the appliance.

Symbols on the charger



Your charger is double insulated; therefore no earth wire is required.



F

Fail safe isolating transformer. The mains supply is electrically separated from the transformer output.



The charger automatically shuts off if the ambient temperature becomes too high. As a consequence the charger will be inoperable. The unit must be disconnected from the mains supply and taken to an authorised service centre for repair.



The charger is intended for indoor use only.



Read the manual carefully before using the appliance.

Warning! Keep electrical appliances out of reach from children or infirm persons. Do not let them use the appliances without supervision.

Features

1. On/off switch
2. Dust bowl

Fig. A

3. Crevice tool
4. Brush tool

Unpacking

Identifying your product

The model design can be determined from the suffix codes used in the catalogue number. The following catalogue numbers are described in this manual: NV19XXYZ H2/NV24XXYZ H2/NV36XXYZ H2/NV48XXYZ H2/NV60XXYZ H2/NV72XXYZ H2

The suffix code XX corresponds to the following designs:

00/99: stick handle, no accessories supplied

03: loop handle, supplied with crevice tool and brush tool

The suffix code Y is used to identify the range of colour, print or special options. The suffix code Z represented by the letter N is used for models with an NiMH battery.

Installation

NV24XXYZ/NV36XXYZ/NV48XXYZ/NV60XXYZ/NV72XXYZ - Fitting the charging base to the wall (fig. B1 & B2)

The charging base can be placed on a worktop or fitted to the wall to provide a convenient storage and charging point for the appliance.

Assembly

Fitting the accessories (fig. A & C)

Depending on the model, the appliance is supplied with the following accessories:

- ◆ a crevice tool (3) for confined spaces
- ◆ a brush tool (4) for furniture and stairs

To fit an accessory, proceed as follows:

- ◆ Take the accessories from the appliance.
- ◆ Insert the appropriate accessory into the front of the appliance.

You may refit the other accessory by clicking it into the accessory holder.

To refit both accessories:

- ◆ Push the accessories down until they click into place.

Use

- ◆ The appliance can be charged while placed on a worktop or hung on the wall using the wall hook provided.
- ◆ Before first use, the battery must be charged for at least 24 hours.
- ◆ Leave the appliance connected to the charger whenever it is not in use.

Charging the battery (fig. B1 - B3)

NV24XXYZ/NV36XXYZ/NV48XXYZ/NV60XXYZ/NV72XXYZ (fig. B1 & B2)

- ◆ Make sure that the appliance is switched off. The battery will not be charged with the on/off switch in the on position.
- ◆ Fit the appliance properly on the charger aligning the arrow on the charger with the split of the appliance.
- ◆ Plug in the charger.
- ◆ Switch on at the mains.
- ◆ Leave the appliance to charge for at least 24 hours.

NV19XXY (fig. B3)

- ◆ Make sure that the appliance is switched off. The battery will not be charged with the on/off switch in the on position.
- ◆ Insert the charger plug (6) into the charger connector (7) at the rear of the appliance.

- ◆ Plug in the charger (5).
- ◆ Switch on at the mains.
- ◆ Leave the appliance to charge for at least 24 hours.

Note: Whilst charging, the charger may become warm. This is normal and does not indicate a problem. The appliance can be left connected to the charger indefinitely.

Warning! Do not charge the battery at ambient temperatures below 10 °C or above 40 °C.

Switching on and off (fig. D)

- ◆ To switch on, slide the on/off switch (1) forward.
- ◆ To switch off, slide the on/off switch back.

Cleaning and maintenance

Warning! Regularly clean the filters.

Cleaning the dust bowl and filters (fig. E & F)

The filters are re-usable and should be cleaned regularly.

- ◆ Remove the dust bowl (2) by turning counterclockwise.
- ◆ Empty the dust bowl.
- ◆ Remove the filter assembly (8) by twisting them counterclockwise.
- ◆ Wash the filters in warm, soapy water. The bowl can also be washed if necessary. Do not immerse the appliance in water.
- ◆ Make sure the dust bowl and filters are dry.
- ◆ Refit the filter assembly (8) onto the appliance twisting it clockwise until it locks into place.
- ◆ Refit the dust bowl onto the appliance. Make sure the dust bowl clicks into place.

Warning! Never use the appliance without the filters. Optimum dust collection will only be achieved with clean filters and an empty dust bowl.

Replacing the filters

The filters should be replaced every 6 to 9 months and whenever worn or damaged. Replacement filters are available from your Black & Decker dealer (catalogue number: VF60).

- ◆ Remove the old filters as described above.
- ◆ Fit the new filters as described above.

Protecting the environment



Separate collection. This product must not be disposed of with normal household waste.

Should you find one day that your Black & Decker product needs replacement, or if it is of no further use to you, do not dispose of it with household waste. Make this product available for separate collection.



Separate collection of used products and packaging allows materials to be recycled and used again. Re-use of recycled materials helps prevent environmental pollution and reduces the demand for raw materials.

Local regulations may provide for separate collection of electrical products from the household, at municipal waste sites or by the retailer when you purchase a new product.

Black & Decker provides a facility for the collection and recycling of Black & Decker products once they have reached the end of their working life. To take advantage of this service please return your product to any authorised repair agent who will collect them on our behalf.

You can check the location of your nearest authorised repair agent by contacting your local Black & Decker office at the address indicated in this manual. Alternatively, a list of authorised Black & Decker repair agents and full details of our after-sales service and contacts are available on the Internet at: www.2helpU.com

Battery (fig. G)



When disposing of the product, the battery must be removed as described below and disposed of in accordance with local regulations.

If you want to dispose of the product yourself, the battery must be removed as described below and disposed of in accordance with local regulations.

Warning! Disconnect the appliance from the power supply before removing the battery.

- ◆ Discharge the battery by operating the appliance until the motor stops.
- ◆ Take the accessories from the appliance.
- ◆ Remove the screws (9).
- ◆ Open the appliance.
- ◆ Remove the battery and the attached motor and switch module (10).
- ◆ Use a screwdriver to detach the battery from the motor and switch module.
- ◆ Place the battery in suitable packaging to ensure that the terminals cannot be short-circuited.
- ◆ Take the battery to your service agent or a local recycling station.

Warning! Once removed, the battery cannot be refitted.

Technical data

	NV19XXYZ H2	NV24XXYZ H2
Voltage	V 2.4	2.4
Battery type	NiCd/NiMH	NiCd/NiMH
Weight	kg 0.65	0.65

	NV36XXYZ H2	NV48XXYZ H2
Voltage	V 3.6	4.8
Battery type	NiCd/NiMH	NiCd/NiMH
Weight	kg 0.7	0.85

	NV60XXYZ H2	NV72XXYZ H2
Voltage	V 6.0	7.2
Battery type	NiCd/NiMH	NiCd/NiMH
Weight	kg 0.9	0.95

Charger

	*A035015D	*A050020D
Model	NV19/NV24	NV36
Input voltage	V _{AC} 230	230
Output voltage	V _{AC} 3.5	5
Amperage	mA 150	200
Approx. charging time	h 24	24
Weight	kg 0.2	0.2

	*A070015D	*A075020D
Model	NV48	NV60
Input voltage	V _{AC} 230	230
Output voltage	V _{AC} 7	7.5
Amperage	mA 150	200
Approx. charging time	h 24	24
Weight	kg 0.2	0.2

	*A090020D
Model	NV72
Input voltage	V _{AC} 230
Output voltage	V _{AC} 9
Amperage	mA 200
Approx. charging time	h 24
Weight	kg 0.2

Level of sound pressure according to EN 60704-1:

Sound pressure (L_{pA}) < 70 dB(A), uncertainty (K) 3 dB(A)

European Community patent application number: 000 540 745 & 000 540 752

European Community design application number: 000 541 230 & 000 540 752

DUSTBUSTER is a registered trademark of the Black & Decker Corporation.

Guarantee

Black & Decker is confident of the quality of its products and offers an outstanding guarantee. This guarantee statement is in addition to and in no way prejudices your statutory rights. The guarantee is valid within the territories of the Member States of the European Union and the European Free Trade Area.

If a Black & Decker product becomes defective due to faulty materials, workmanship or lack of conformity, within 24 months from the date of purchase, Black & Decker guarantees to replace defective parts, repair products subjected to fair wear and tear or replace such products to ensure minimum inconvenience to the customer unless:

- ◆ The product has been used for trade, professional or hire purposes;
- ◆ The product has been subjected to misuse or neglect;
- ◆ The product has sustained damage through foreign objects, substances or accidents;
- ◆ Repairs have been attempted by persons other than authorised repair agents or Black & Decker service staff.

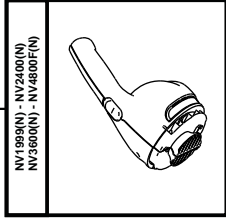
To claim on the guarantee, you will need to submit proof of purchase to the seller or an authorised repair agent. You can check the location of your nearest authorised repair agent by contacting your local Black & Decker office at the address indicated in this manual.

Alternatively, a list of authorised Black & Decker repair agents and full details of our after-sales service and contacts are available on the Internet at: **www.2helpU.com**

Please visit our website **www.blackanddecker.co.uk** to register your new Black & Decker product and to be kept up to date on new products and special offers. Further information on the Black & Decker brand and our range of products is available at **www.blackanddecker.co.uk**

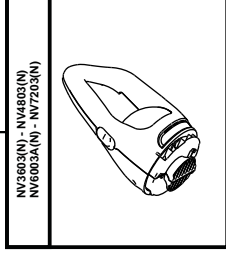
Partial support - Only parts shown available
 Nur die aufgeführten teile sind lieferbar
 Réparation partielle - Seules les pièces indiquées sont disponibles
 Supporto parziale - Sono disponibili soltanto le parti evidenziate
 Solo estan disponibles las peizas listadas
 So se encontram disponibles as peças listadas
 Gedeeltelijke ondersteuning - alleen de getoonde onderdelen zijn beschikbaar

1

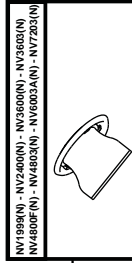


NV1999(N) - NV2400(N)
 NV3600(N) - NV4800F(N)

1



NV3603(N) - NV4803(N)
 NV6003A(N) - NV7203(N)



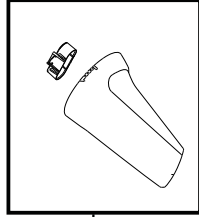
NV1999(N) - NV2400(N) - NV3600(N) - NV3603(N)
 NV4800F(N) - NV4803(N) - NV6003A(N) - NV7203(N)

9

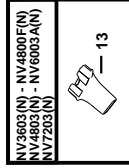


NV4800F(N) - NV4803(N)
 NV6003A(N) - NV7203(N)

8

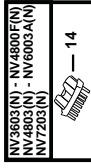


6



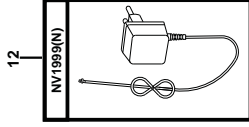
NV3603(N) - NV4800F(N)
 NV4803(N) - NV6003A(N)
 NV7203(N)

13



NV3603(N) - NV4800F(N)
 NV4803(N) - NV6003A(N)
 NV7203(N)

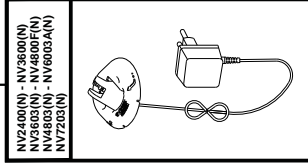
14



12

NV1999(N)

12



NV2400(N) - NV3600(N)
 NV3603(N) - NV4800F(N)
 NV4803(N) - NV6003A(N)
 NV7203(N)

ENGLISH

Do not forget to register your product!

www.blackanddecker.co.uk/productregistration

Register your product online at **www.blackanddecker.co.uk/productregistration** or send your name, surname and product code to Black & Decker in your country.

Australia

Black & Decker (Australia) Pty. Ltd.
20 Fletcher Road, Mooroolbark,
Victoria, 3138

Tel. 03-8720 5100
Fax 03-9727 5940

New Zealand

Black & Decker
5 Te Apunga Place
Mt Wellington
Auckland 1060

Tel. +64 9 259 1133
Fax +64 9 259 1122

United Kingdom

Black & Decker
210 Bath Road
Slough, Berkshire SL1 3YD

Tel. 01753 511234
Fax 01753 551155
Helpline 01753 574277