

DEWALT®

D25032

D25033

D25133

D25134

D25143

D25144

D25263

N582949 TR

Çevirisi orijinal talimatlardan yapılmıştır

English (***original instructions***)

6

Türkçe (*orijinal talimatlardan çevrilmiştir*)

14

Fig. A

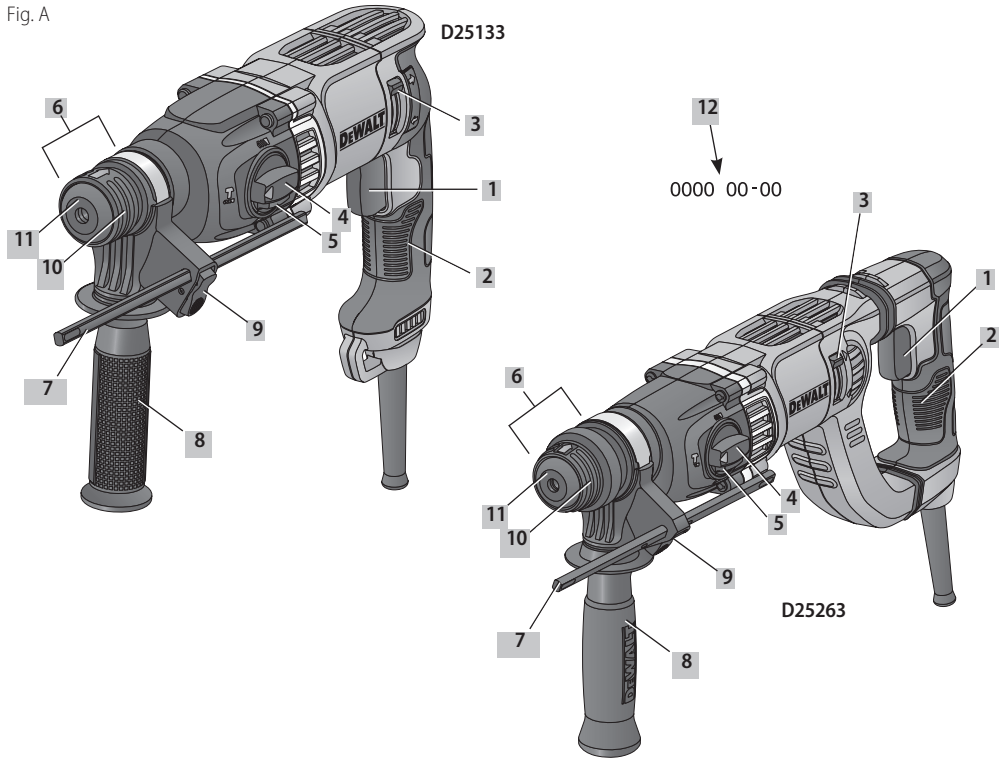


Fig. B

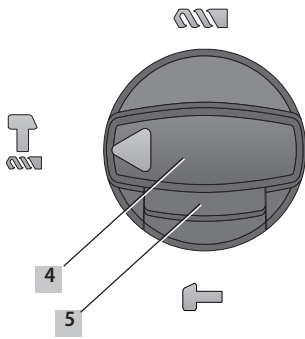


Fig. C

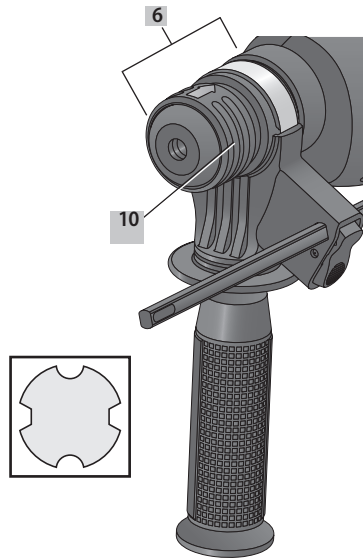


Fig. D

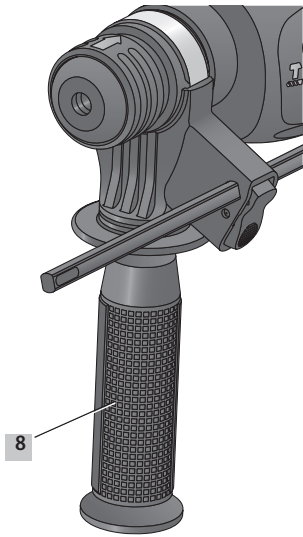


Fig. E

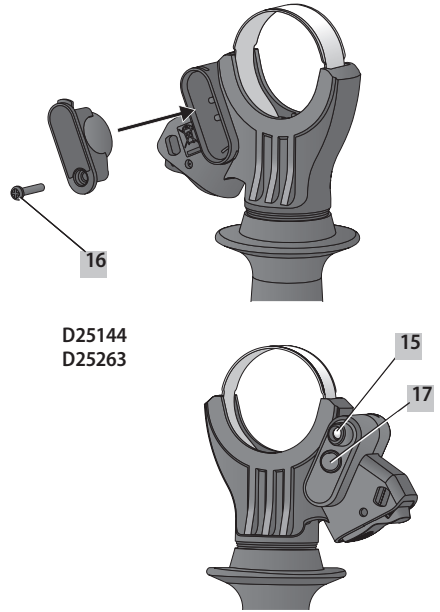


Fig. F

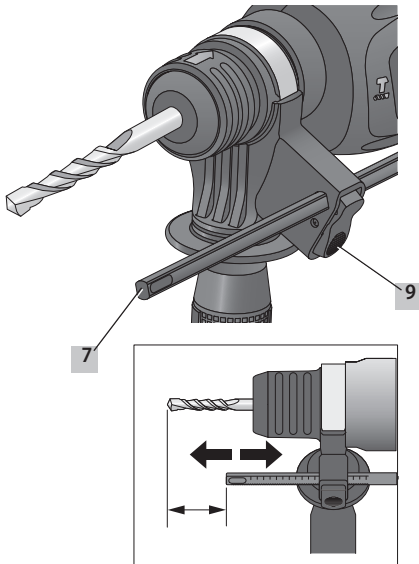


Fig. G

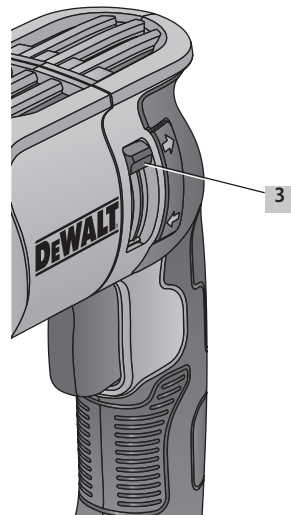


Fig. H

D25134
D25144

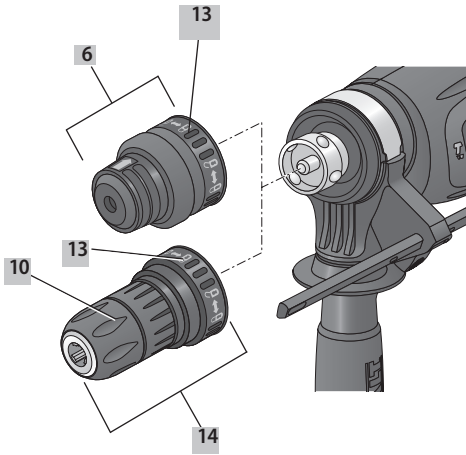
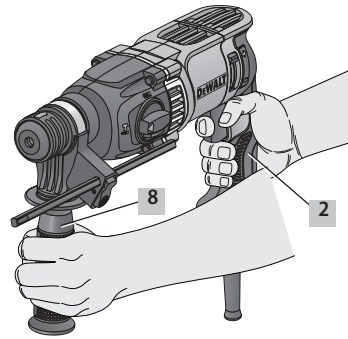


Fig. I



HEAVY-DUTY ROTARY HAMMERDRILL

D25032, D25033, D25133, D25134, D25143, D25144, D25263

Congratulations!

You have chosen a DeWALT tool. Years of experience, thorough product development and innovation make DeWALT one of the most reliable partners for professional power tool users.

Technical Data

		D25032	D25033	D25133	D25134	D25143	D25144	D25263
Voltage	V	230	230	230	230	230	230	230
	(UK & Ireland only)	230/115	230/115	230/115	230/115	230/115	230/115	230/115
Type		1/10	1/10/15	1/10/15	1/10	1	1/10	1
Frequency	Hz	50	50	50	50	50	50	50
Power input	W	710	710	800	800	900	900	900
No-load speed	min ⁻¹	0–1550	0–1550	0–1500	0–1500	0–1450	0–1450	0–1450
No-load beats per min	bpm	0–5680	0–5680	0–5500	0–5540	0–5350	0–5350	0–5350
Single impact energy (EPTA 05/2009)	J	2.0	2.0	2.6	2.8	3.0	3.0	3.0
Maximum drilling range in steel/wood/concrete	mm	13/30/22	13/30/22	13/30/26	13/30/26	13/30/28	13/30/28	13/30/28
Chisel positions		—	44	44	48	48	48	48
Core drilling capacity in soft brick	mm	50	50	50	65	65	65	65
Tool holder		SDS Plus	SDS Plus	SDS Plus	SDS Plus	SDS Plus	SDS Plus	SDS Plus
Collar diameter	mm	43	43	43	54	54	54	54
Weight	kg	2.5	2.5	2.6	3.0	3.1	3.1	3.1

Noise values and vibration values (triax vector sum) according to EN60745-2-6:

L_{PA} (emission sound pressure level)	dB(A)	87	87	89	90	91	91	91
L_{WA} (sound power level)	dB(A)	98	98	100	101	102	102	102
K_{WA} (uncertainty for the given sound level)	dB(A)	3	3	3	3	3	3	3
Drilling into metal								
Vibration emission value $a_{h,D} =$	m/s ²	<2.5	<2.5	<2.5	<2.5	<2.5	<2.5	<2.5
Uncertainty K =	m/s ²	1.5	1.5	1.5	1.5	1.5	1.5	1.5
Drilling into concrete								
Vibration emission value $a_{h,D} =$	m/s ²	13.6	13.6	15.4	15.7	14.9	14.9	9.8
Uncertainty K =	m/s ²	1.5	1.5	1.5	1.5	1.5	1.5	1.5
Chiselling								
Vibration emission value $a_{h,ChEq} =$	m/s ²	—	12.5	14.9	14.3	13.8	13.8	8.1
Uncertainty K =	m/s ²	—	1.5	1.5	1.5	1.5	1.5	1.5
Screwdriving without impact								
Vibration emission value $a_h =$	m/s ²	<2.5	<2.5	<2.5	<2.5	<2.5	<2.5	<2.5
Uncertainty K =	m/s ²	1.5	1.5	1.5	1.5	1.5	1.5	1.5

The vibration emission level given in this information sheet has been measured in accordance with a standardised test given in EN60745 and may be used to compare one tool with another. It may be used for a preliminary assessment of exposure.



WARNING: The declared vibration emission level represents the main applications of the tool. However if

the tool is used for different applications, with different accessories or poorly maintained, the vibration emission may differ. This may significantly increase the exposure level over the total working period.

An estimation of the level of exposure to vibration should also take into account the times when the tool is switched

off or when it is running but not actually doing the job. This may significantly reduce the exposure level over the total working period.

Identify additional safety measures to protect the operator from the effects of vibration such as: maintain the tool and the accessories, keep the hands warm, organisation of work patterns.

EC-Declaration of Conformity

Machinery Directive



Heavy-Duty Rotary Hammerdrill D25032, D25033, D25133, D25134, D25143, D25144, D25263

DeWALT declares that these products described under **Technical Data** are in compliance with: 2006/42/EC, EN60745-1:2009+A11:2010, EN60745-2-6:2010.

These products also comply with Directive 2014/30/EU and 2011/65/EU. For more information, please contact DeWALT at the following address or refer to the back of the manual.

The undersigned is responsible for compilation of the technical file and makes this declaration on behalf of DeWALT.

Markus Rompel
Director Engineering
DeWALT, Richard-Klinger-Straße 11,
D-65510, Idstein, Germany
27.03.2017



WARNING: To reduce the risk of injury, read the instruction manual.

Definitions: Safety Guidelines

The definitions below describe the level of severity for each signal word. Please read the manual and pay attention to these symbols.



DANGER: Indicates an imminently hazardous situation which, if not avoided, **will** result in **death or serious injury**.



WARNING: Indicates a potentially hazardous situation which, if not avoided, **could** result in **death or serious injury**.



CAUTION: Indicates a potentially hazardous situation which, if not avoided, **may** result in **minor or moderate injury**.

NOTICE: Indicates a practice **not related to personal injury** which, if not avoided, **may** result in **property damage**.



Denotes risk of electric shock.



Denotes risk of fire.

General Power Tool Safety Warnings



WARNING: Read all safety warnings, instructions, illustrations and specifications provided with this power tool. Failure to follow all instructions listed below may result in electric shock, fire and/or serious injury.

SAVE ALL WARNINGS AND INSTRUCTIONS FOR FUTURE REFERENCE

The term "power tool" in the warnings refers to your mains-operated (corded) power tool or battery-operated (cordless) power tool.

1) Work area safety

- Keep work area clean and well lit.** Cluttered or dark areas invite accidents.
- Do not operate power tools in explosive atmospheres, such as in the presence of flammable liquids, gases or dust.** Power tools create sparks which may ignite the dust or fumes.
- Keep children and bystanders away while operating a power tool.** Distractions can cause you to lose control.

2) Electrical safety

- Power tool plugs must match the outlet. Never modify the plug in any way. Do not use any adapter plugs with earthed (grounded) power tools.** Unmodified plugs and matching outlets will reduce risk of electric shock.
- Avoid body contact with earthed or grounded surfaces such as pipes, radiators, ranges and refrigerators.** There is an increased risk of electric shock if your body is earthed or grounded.
- Do not expose power tools to rain or wet conditions.** Water entering a power tool will increase the risk of electric shock.
- Do not abuse the cord. Never use the cord for carrying, pulling or unplugging the power tool. Keep cord away from heat, oil, sharp edges or moving parts.** Damaged or entangled cords increase the risk of electric shock.
- When operating a power tool outdoors, use an extension cord suitable for outdoor use.** Use of a cord suitable for outdoor use reduces the risk of electric shock.
- If operating a power tool in a damp location is unavoidable, use a residual current device (RCD) protected supply.** Use of an RCD reduces the risk of electric shock.

3) Personal safety

- Stay alert, watch what you are doing and use common sense when operating a power tool. Do not use a power tool while you are tired or under the influence of drugs, alcohol or medication.** A moment of inattention while operating power tools may result in serious personal injury.
- Use personal protective equipment. Always wear eye protection.** Protective equipment such as dust mask,

non-skid safety shoes, hard hat, or hearing protection used for appropriate conditions will reduce personal injuries.

- c) **Prevent unintentional starting. Ensure the switch is in the off position before connecting to power source and/or battery pack, picking up or carrying the tool.** Carrying power tools with your finger on the switch or energising power tools that have the switch on invites accidents.
- d) **Remove any adjusting key or wrench before turning the power tool on.** A wrench or a key left attached to a rotating part of the power tool may result in personal injury.
- e) **Do not overreach. Keep proper footing and balance at all times.** This enables better control of the power tool in unexpected situations.
- f) **Dress properly. Do not wear loose clothing or jewellery. Keep your hair, clothing and gloves away from moving parts.** Loose clothes, jewellery or long hair can be caught in moving parts.
- g) **If devices are provided for the connection of dust extraction and collection facilities, ensure these are connected and properly used.** Use of dust collection can reduce dust-related hazards.

4) Power tool use and care

- a) **Do not force the power tool. Use the correct power tool for your application.** The correct power tool will do the job better and safer at the rate for which it was designed.
- b) **Do not use the power tool if the switch does not turn it on and off.** Any power tool that cannot be controlled with the switch is dangerous and must be repaired.
- c) **Disconnect the plug from the power source and/or the battery pack from the power tool before making any adjustments, changing accessories, or storing power tools.** Such preventive safety measures reduce the risk of starting the power tool accidentally.
- d) **Store idle power tools out of the reach of children and do not allow persons unfamiliar with the power tool or these instructions to operate the power tool.** Power tools are dangerous in the hands of untrained users.
- e) **Maintain power tools. Check for misalignment or binding of moving parts, breakage of parts and any other condition that may affect the power tool's operation. If damaged, have the power tool repaired before use.** Many accidents are caused by poorly maintained power tools.
- f) **Keep cutting tools sharp and clean.** Properly maintained cutting tools with sharp cutting edges are less likely to bind and are easier to control.
- g) **Use the power tool, accessories and tool bits etc., in accordance with these instructions taking into account the working conditions and the work to be performed.** Use of the power tool for operations different from those intended could result in a hazardous situation.

5) Service

- a) **Have your power tool serviced by a qualified repair person using only identical replacement parts.** This will ensure that the safety of the power tool is maintained.

Additional Specific Safety Rules for Rotary Hammers

- **Wear ear protectors.** Exposure to noise can cause hearing loss.
- **Use auxiliary handles supplied with the tool.** Loss of control can cause personal injury.
- **Hold power tools by insulated gripping surfaces when performing an operation where the cutting tool may contact hidden wiring or its own cord.** Contact with a "live" wire will make exposed metal parts of the tool "live" and shock the operator.
- **Use clamps or other practical way to secure and support the workpiece to a stable platform.** Holding the work by hand or against your body is unstable and may lead to loss of control.
- **Wear safety goggles or other eye protection.** Hammering operations cause chips to fly. Flying particles can cause permanent eye damage. Wear a dust mask or respirator for applications that generate dust. Ear protection may be required for most applications.
- **Keep a firm grip on the tool at all times. Do not attempt to operate this tool without holding it with both hands.** It is recommended that the side handle be used at all times. Operating this tool with one hand will result in loss of control. Breaking through or encountering hard materials such as re-bar may be hazardous as well. Tighten the side handle securely before use.
- **Do not operate this tool for long periods of time.** Vibration caused by hammer action may be harmful to your hands and arms. Use gloves to provide extra cushion and limit exposure by taking frequent rest periods.
- **Do not recondition bits yourself.** Chisel reconditioning should be done by an authorized specialist. Improperly reconditioned chisels could cause injury.
- **Wear gloves when operating tool or changing bits.** Accessible metal parts on the tool and bits may get extremely hot during operation. Small bits of broken material may damage bare hands.
- **Never lay the tool down until the bit has come to a complete stop.** Moving bits could cause injury.
- **Do not strike jammed bits with a hammer to dislodge them.** Fragments of metal or material chips could dislodge and cause injury.
- **Slightly worn chisels can be resharpened by grinding.**
- **Keep the power cord away from the rotating bit. Do not wrap the cord around any part of your body.** An electric cord wrapped around a spinning bit may cause personal injury and loss of control.



WARNING: We recommend the use of a residual current device with a residual current rating of 30mA or less.

Residual Risks

In spite of the application of the relevant safety regulations and the implementation of safety devices, certain residual risks cannot be avoided. These are:

- Impairment of hearing.
- Risk of personal injury due to flying particles.
- Risk of burns due to accessories becoming hot during operation.
- Risk of personal injury due to prolonged use.

Electrical Safety

The electric motor has been designed for one voltage only. Always check that the power supply corresponds to the voltage on the rating plate.



Your DeWALT tool is double insulated in accordance with EN60745; therefore no earth wire is required.



WARNING: 115 V units have to be operated via a fail-safe isolating transformer with an earth screen between the primary and secondary winding.

If the supply cord is damaged, it must be replaced by a specially prepared cord available through the DeWALT service organisation.

Mains Plug Replacement (U.K. & Ireland Only)

If a new mains plug needs to be fitted:

- Safely dispose of the old plug.
- Connect the brown lead to the live terminal in the plug.
- Connect the blue lead to the neutral terminal.



WARNING: No connection is to be made to the earth terminal.

Follow the fitting instructions supplied with good quality plugs. Recommended fuse: 13 A.

Using an Extension Cable

An extension cord should not be used unless absolutely necessary. Use an approved extension cable suitable for the power input of your charger (see **Technical Data**). The minimum conductor size is 1.5 mm²; the maximum length is 30 m.

When using a cable reel, always unwind the cable completely.

Package Contents

The package contains:

- 1 Heavy-duty rotary hammerdrill
 - 1 Side handle
 - 1 Depth adjustment rod
 - 1 Keyless chuck (D25134, D25144)
 - 1 Instruction manual
- Check for damage to the tool, parts or accessories which may have occurred during transport.
 - Take the time to thoroughly read and understand this manual prior to operation.

Markings on Tool

The following pictograms are shown on the tool:



Read instruction manual before use.



Wear ear protection.



Wear eye protection.

Date Code Position (Fig. A)

The date code **12**, which also includes the year of manufacture, is printed into the housing.

Example:

2017 XX XX

Year of Manufacture

Description (Fig. A, E, H)



WARNING: Never modify the power tool or any part of it. Damage or personal injury could result.

- 1 Variable speed switch
- 2 Main handle
- 3 Forward/Reverse lever
- 4 Mode selector
- 5 Mode selector button
- 6 SDS Plus tool holder
- 7 Depth adjustment rod
- 8 Side handle
- 9 Depth rod button
- 10 Sleeve
- 11 Dust cover
- 12 Date code
- 13 Locking collar (D25134, D25144)
- 14 Keyless chuck (D25134, D25144)
- 15 Side handle work light (D25144, D25263)
- 16 Battery door screw (D25144, D25263)
- 17 On/off light button (D25144, D25263)

Intended Use

The D25032 heavy-duty rotary hammer has been designed for professional drilling, hammerdrilling, and screwdriving. The D25033, D25133, D25134, D25143, D25144 and D25263 heavy-duty rotary hammers have been designed for professional drilling, hammerdrilling, screwdriving and light chipping.

DO NOT use under wet conditions or in the presence of flammable liquids or gases.

These hammerdrills are professional power tools.

DO NOT let children come into contact with the tool.

Supervision is required when inexperienced operators use this tool.

- **Young children and the infirm.** This appliance is not intended for use by young children or infirm persons without supervision.

- This product is not intended for use by persons (including children) suffering from diminished physical, sensory or mental abilities; lack of experience, knowledge or skills unless they are supervised by a person responsible for their safety. Children should never be left alone with this product.

Torque Limiting Clutch

All rotary hammerdrills are equipped with a torque limiting clutch that reduces the maximum torque reaction transmitted to the operator in case of jamming of a drill bit. This feature also prevents the gearing and electric motor from stalling. The torque limiting clutch has been factory-set and cannot be adjusted.

ASSEMBLY AND ADJUSTMENTS



WARNING: To reduce the risk of serious personal injury, turn tool off and disconnect tool from power source before making any adjustments or removing/installing attachments or accessories. Be sure the trigger switch is in the OFF position. An accidental start-up can cause injury.

Selecting the Operating Mode (Fig. B)

The tool can be used in the following operating modes:

	Rotary drilling: for screwdriving and for drilling into steel, wood and plastics
	Hammerdrilling: for concrete and masonry drilling operations. Bit rotation: non-working position used only to rotate a flat chisel into the desired position
	Hammering only (D25033, D25133, D25134, D25143, D25144, D25263): for light chipping, chiselling and demolition applications. In this mode the tool can also be used as a lever to free a jammed drill bit.

- To select the operating mode, press the mode selector button **5** and rotate the mode selector switch **4** until it points to the symbol of the required mode.
- Release the mode selector button and check that the mode selector switch is locked in place.



WARNING: Do not select the operating mode when the tool is running.

Indexing the Chisel Position (Fig. B)

The chisel can be indexed and locked into different positions.

- Press the mode selector button **5** and rotate the mode selector switch **4** until it points to the "bit rotation/hammerdrilling" position.
- Rotate the chisel to the desired position.
- Set the mode selector switch **4** to the "hammering only" position.
- Twist the chisel until it locks in position.

Inserting and Removing SDS Plus Accessories (Fig. C)

This tool uses SDS Plus accessories (refer to the inset in Fig. C for a cross-section of an SDS Plus bit shank). We recommend using professional accessories only.

- Clean and grease the bit shank.
- Insert the bit shank into the SDS Plus tool holder **6**.
- Push the bit down and turn it slightly until it fits into the slots.
- Pull on the bit to check if it is properly locked. The hammering function requires the bit to be able to move axially several centimetres when locked in the tool holder.
- To remove a bit, pull back the tool holder sleeve **10** and pull out the bit.



WARNING: Always wear gloves when you change accessories. The exposed metal parts on the tool and accessory may become extremely hot during operation.

Fitting the Side Handle (Fig. D)

The side handle **8** can be fitted to suit both right-handed and left-handed users.



WARNING: Do not use the tool without the side handle properly assembled.

- Loosen the side handle.
- For right-handed users:** Slide the side handle clamp over the collar behind the tool holder, handle at the left.
For left-handed-users: Slide the side handle clamp over the collar behind the tool holder, handle at the right.
- Rotate the side handle to the desired position and tighten the handle.

Side Handle Work light (Fig. E)

D25144, D25263

The side handle on the D25144 and D25263 has a work light **15**. The light is battery powered and operated by using the on/off button **17**.

To replace the worklight's batteries (CR2032 x 2):

- Remove battery door screw **16** as shown in Figure E.
- Replace the battery with the positive face pointing outwards.
- Close the battery compartment and secure the screw.

Setting the Drilling Depth (Fig. F)

- Insert the required drill bit as described above.
- Press the depth rod button **9** and keep it depressed.
- Fit the depth adjustment rod **7** through the hole in the depth stop clamp.
- Adjust the drilling depth as shown.
- Release the depth stop clamp.

Reversing Lever (Fig. G)

The forward/reverse lever **3** is used to reverse the rotation of the hammer for backing out fasteners or jammed bits in the drill-only function.

! **CAUTION:** When reversing to clear jammed bits, be ready for strong reactive torque.

To reverse the hammer, turn it off and align the forward/reverse lever **3** with the yellow arrow pointing backward.

To position the lever for forward operation, turn the hammer off and align the forward/reverse lever **3** with the yellow arrow pointing forward.

Fitting the Chuck Adapter and Chuck

Optional Accessory

D25032, D25033, D25133, D25143, D25263

1. Screw the chuck onto the threaded end of the chuck adapter.
2. Insert the connected chuck and adapter in the tool as though it were a standard SDS Plus bit.
3. To remove the chuck, proceed as for removing a standard SDS Plus bit.

! **WARNING:** Never use standard chucks in the hammerdrilling mode.

Replacing the SDS Plus Tool Holder with the Keyless Chuck (Fig. H)

D25134, D25144

1. Turn the locking collar **13** into the unlocking position and pull the SDS Plus Tool Holder **6** off.
2. Push the keyless chuck **14** onto the spindle and turn the locking collar **13** to the locking position.

To replace the keyless chuck with the SDS Plus tool holder, first remove the keyless chuck the same way the tool holder was removed. Then place the tool holder the same way the keyless chuck was placed, making sure to turn the locking collar to the locking position.

! **WARNING:** Never use standard chucks in the hammerdrilling mode.

Replacing the Dust Cover (Fig. A)

The dust cover **11** prevents dust ingress into the mechanism. Replace a worn dust cover immediately.

1. Pull back the tool holder locking sleeve **10** and pull the dust cover **11** off.
2. Fit the new dust cover.
3. Release the tool holder locking sleeve.

OPERATION

Instructions for Use

! **WARNING:** Always observe the safety instructions and applicable regulations.

! **WARNING:** To reduce the risk of serious personal injury, turn tool off and disconnect tool from power source before making any adjustments or removing/installing attachments or accessories. Be sure the trigger switch is in the OFF position. An accidental start-up can cause injury.

! **WARNING:**

- Always observe the safety instructions and applicable regulations.
- Be aware of the location of pipework and wiring.
- Apply only a gentle pressure to the tool (approx. 5 kg). Excessive force does not speed up drilling but decreases tool performance and may shorten tool life.
- Do not drill or drive too deep to prevent damage to the dust cover.
- Always hold the tool firmly with both hands and ensure a secure stance (Fig. I). Always operate the tool with the side handle properly mounted.

Proper Hand Position (Fig. I)

! **WARNING:** To reduce the risk of serious personal injury, ALWAYS use proper hand position as shown.

! **WARNING:** To reduce the risk of serious personal injury, ALWAYS hold securely in anticipation of a sudden reaction.

Proper hand position requires one hand on the side handle **8**, with the other hand on the main handle **2**.

Switching On and Off (Fig. A)

1. To run the tool, press the variable speed switch **1**. The pressure exerted on the variable speed switch determines the tool speed.
2. For continuous operation, press and hold down the variable speed switch.
3. To stop the tool, release the switch.

Hammerdrilling (Fig. A)

Drilling with a Solid Bit

1. Hold down the mode selector button **5** then set the mode selector switch **4** to the hammerdrilling position.
2. Insert the appropriate drill bit.
NOTE: For best results use high quality carbide-tipped bits.
3. Adjust the side handle **8** as required.
4. If necessary, set the drilling depth.
5. Mark the spot where the hole is to be drilled.
6. Place the drill bit on the spot and switch on the tool.
7. Always switch off the tool when work is finished and before unplugging.

Drilling with a Core Bit

1. Hold down the mode selector button **5** then set the mode selector switch **4** to the hammerdrilling position.
2. Adjust the side handle **8** as required.
3. Insert the appropriate core bit.
4. Assemble the centerdrill into the core bit.
5. Place the centerdrill on the spot and press the on/off switch **1**. Drill until the core penetrates into the concrete approx. 1 cm.
6. Stop drilling and remove the centerdrill. Place the core bit back into the hole and continue drilling.

- When drilling through a structure thicker than the depth of the core bit, break away the round cylinder of concrete or core inside the bit at regular intervals. To avoid unwanted breaking away of concrete around the hole, first drill a hole the diameter of the center drill completely through the structure. Then drill the cored hole halfway from each side.
- Always switch off the tool when work is finished and before unplugging.

Rotary Drilling (Fig. A)

- Hold down the mode selector button **5** then set the mode selector switch **4** to the "rotary drilling" position.
- Depending on your tool, follow either of the following instructions:
 - D25032, D25033, D25133, D25143, D25263:** Fit the chuck adapter/chuck assembly.
 - D25134, D25144:** Replace the SDS Plus tool holder with the keyless chuck.
- Proceed as described for hammerdrilling.



WARNING: Never use standard chucks in the hammerdrilling mode.

Screwdriving (Fig. A)

- Hold down the mode selector button **5** then set the mode selector switch **4** to the rotary drilling position.
- Select the direction of rotation.
- Depending on your tool, follow either of the following instructions:
 - D25032, D25033, D25133, D25143, D25263:** Insert the special SDS Plus screwdriving adaptor for use with hexagonal screwdriver bits.
 - D25134, D25144:** Replace the SDS Plus tool holder with the keyless chuck
- Insert the appropriate screwdriver bit. When driving slotted head screws always use bits with a finder sleeve.
- Gently press the variable speed switch **1** to prevent damage to the screw head. In reverse (LH) rotation the tool speed is automatically reduced for easy screw removal.
- When the screw is flush with the workpiece, release the variable speed switch to prevent the screw head from penetrating into the workpiece.

Chipping and Chiselling (Fig. A)

D25033, D25133, D25134, D25143, D25144, D25263

- Hold down the mode selector button **5** then set the mode selector switch **4** to the "hammering only" position.
- Insert the appropriate chisel and rotate it by hand to lock it into position.
- Adjust the side handle **8** as required.
- Switch on the tool and start working.
- Always switch off the tool when work is finished and before unplugging.



WARNING:

- Do not use this tool to mix or pump easily combustible or explosive fluids (benzine, alcohol, etc.).
- Do not mix or stir in flammable liquids labelled accordingly.

MAINTENANCE

Your DEWALT power tool has been designed to operate over a long period of time with a minimum of maintenance. Continuous satisfactory operation depends upon proper tool care and regular cleaning.



WARNING: To reduce the risk of serious personal injury, turn tool off and disconnect tool from power source before making any adjustments or removing/installing attachments or accessories. Be sure the trigger switch is in the OFF position. An accidental start-up can cause injury.

- This machine is not user-serviceable. Take the tool to an authorised DEWALT repair agent after approximately 40 hours of use. If problems occur before this time contact an authorised DEWALT repair agent.
- The tool will automatically switch off when the carbon brushes are worn.

Motor Brushes

DEWALT uses an advanced brush system which automatically stops the drill when the brushes wear out. This prevents serious damage to the motor. New brush assemblies are available at authorised DEWALT service centers. Always use identical replacement parts.



Lubrication

Your power tool requires no additional lubrication.

Accessories and attachments used must be regularly lubricated around the SDS Plus fitment.



Cleaning



WARNING: Blow dirt and dust out of the main housing with dry air as often as dirt is seen collecting in and around the air vents. Wear approved eye protection and approved dust mask when performing this procedure.



WARNING: Never use solvents or other harsh chemicals for cleaning the non-metallic parts of the tool. These chemicals may weaken the materials used in these parts. Use a cloth dampened only with water and mild soap. Never let any liquid get inside the tool; never immerse any part of the tool into a liquid.

Optional Accessories



WARNING: Since accessories, other than those offered by DEWALT, have not been tested with this product, use of such accessories with this tool could be hazardous.

To reduce the risk of injury, only DEWALT recommended accessories should be used with this product.

Various types of SDS Plus drill bits and chisels are available as an option.

Consult your dealer for further information on the appropriate accessories.

Protecting the Environment



Separate collection. Products and batteries marked with this symbol must not be disposed of with normal household waste.



Products and batteries contain materials that can be recovered or recycled reducing the demand for raw materials. Please recycle electrical products and batteries according to local provisions. Further information is available at www.2helpU.com.

AĞIR HİZMET TİPİ DÖNER KIRICI DELİCİ D25032, D25033, D25133, D25134, D25143, D25144, D25263

Tebrikler!

Bir DeWALT aleti seçtiniz. Uzun süreli deneyim, sürekli ürün geliştirme ve yenilik DeWALT markasının profesyonel elektrikli alet kullanıcıları için en güvenilir ortaklardan birisi haline gelmesini sağlamaktadır.

Teknik Özellikleri

	D25032	D25033	D25133	D25134	D25143	D25144	D25263	
Voltaj	V	230	230	230	230	230	230	
Tipler		1/10	1/10/15	1/10/15	1/10	1	1/10	1
Frekans	Hz	50	50	50	50	50	50	50
Giriş gücü	W	710	710	800	800	900	900	900
Yüksüz hız	dev/dak	0–1550	0–1550	0–1500	0–1500	0–1450	0–1450	0–1450
Dakika başı yüksüz vuruş	bpm	0–5680	0–5680	0–5500	0–5540	0–5350	0–5350	0–5350
Tek Darbe enerjisi (EPTA 05/2009)	J	2,0	2,0	2,6	2,8	3,0	3,0	3,0
Çelik/tahta/betonda azami delme kapasitesi	mm	13/30/22	13/30/22	13/30/26	13/30/26	13/30/28	13/30/28	13/30/28
Keski pozisyonları		—	44	44	48	48	48	48
Yumuşak tuğlada karot alma kapasitesi	mm	50	50	50	65	65	65	65
Uç yuvası		SDS Plus	SDS Plus	SDS Plus	SDS Plus	SDS Plus	SDS Plus	SDS Plus
Bilezik çapı	mm	43	43	43	54	54	54	54
Ağırlık	kg	2,5	2,5	2,6	3,0	3,1	3,1	3,1

EN60745-2-6 uyarınca gürültü değerleri ve titreşim değerleri (triaks vektör toplamı)

L _{PA} (emiyon ses basıncı seviyesi)	dB(A)	87	87	89	90	91	91	91
L _{WA} (ses güç seviyesi)	dB(A)	98	98	100	101	102	102	102
K _{WA} (verilen ses seviyesi için belirsizlik)	dB(A)	3	3	3	3	3	3	3

Metal delme

Titreşim emiyon değeri a _{h,D} =	m/s ²	<2,5	<2,5	<2,5	<2,5	<2,5	<2,5	<2,5
Belirsizlik değeri K =	m/s ²	1,5	1,5	1,5	1,5	1,5	1,5	1,5

Beton delme

Titreşim emiyon değeri a _{h,D} =	m/s ²	13,6	13,6	15,4	15,7	14,9	14,9	9,8
Belirsizlik değeri K =	m/s ²	1,5	1,5	1,5	1,5	1,5	1,5	1,5

Keskileme

Titreşim emiyon değeri a _{h,Cheq} =	m/s ²	—	12,5	14,9	14,3	13,8	13,8	8,1
Belirsizlik değeri K =	m/s ²	—	1,5	1,5	1,5	1,5	1,5	1,5

Darbesiz vidalama

Titreşim emiyon değeri a _h =	m/s ²	<2,5	<2,5	<2,5	<2,5	<2,5	<2,5	<2,5
Belirsizlik değeri K =	m/s ²	1,5	1,5	1,5	1,5	1,5	1,5	1,5

Bu bilgi sayfasında verilen titreşim emisyon düzeyi, EN60745'te sağlanan standart teste uygun olarak ölçülmüştür ve aletleri birbiriyle karşılaştırmak için kullanılabilir. Ön maruziyet değerlendirmesi için kullanılabilir.

! **UYARI:** Beyan edilen titreşim emisyon düzeyi, aletin ana uygulamalarını yansıtır. Ancak alet farklı aksesuarlarla farklı uygulamalar için kullanılırsa veya bakımı kötü yapılsa, titreşim emisyonu değişebilir. Bu, toplam çalışma süresindeki maruziyet düzeyini önemli ölçüde artırabilir. Tahmini titreşim maruziyeti, aletin kapalı kaldığı veya çalışmasına karşın iş görmediği zamanları da dikkate almalıdır. Bu, toplam çalışma süresindeki maruziyet düzeyini önemli ölçüde azaltabilir.

Kullanıcıyı titreşim etkilerinden korumak için belirtilen ek güvenlik önlemlerini alın: Aletin ve aksesuarların bakımını yapın, elleri sıcak tutun, çalışma modellerini düzenleyin.

AT Uygunluk Beyanati

Makine Direktifi



Ağır hizmet tipi döner kirici delici D25032, D25033, D25133, D25134, D25143, D25144, D25263

DeWALT, Teknik Özellikleri bölümünde açıklanan bu ürünlerin aşağıda belirtilen yönergelere uygun olduğunu beyan eder: 2006/42/AT, EN60745-1:2009+A11:2010, EN60745-2-6:2010.

Bu ürünler ayrıca 2014/30/EU ve 2011/65/EU Direktiflerine de uygundur. Daha ayrıntılı bilgi için, lütfen aşağıdaki adresten DeWALT ile temas kurun veya kılavuzun arka kapağına bakın.

Bu belge altında imzası bulunan yetkili, teknik dosyanın derlenmesinden sorumludur ve bu beyanı DeWALT adına vermiştir.

Markus Rompel
Mühendislik Direktörü
DeWALT, Richard-Klinger-Straße 11,
D-65510, Idstein, Almanya
27.03.2017



UYARI: Yaralanma riskini azaltmak için, kullanım kılavuzunu okuyun.

Tanımlar: Güvenlik Talimatları

Aşağıdaki tanımlar her işaret sözcüğü ciddiyet derecesini gösterir. Lütfen kılavuzu okuyunuz ve bu simgelere dikkat ediniz.

! **TEHLİKE:** Engellenmemesi halinde **ölüm veya ciddi yaralanma** ile sonuçlanabilecek **çok yakın bir tehlikeli durumu** gösterir.



UYARI: Engellenmemesi halinde **ölüm veya ciddi yaralanma** ile sonuçlanabilecek **potansiyel bir tehlikeli durumu** gösterir.



DİKKAT: Engellenmemesi halinde **önemsiz veya orta dereceli yaralanma** ile sonuçlanabilecek **potansiyel bir tehlikeli durumu** gösterir.

İKAZ: Engellenmemesi halinde **maddi hasara neden olabilecek, yaralanma ile ilişkisi olmayan durumları** gösterir.



Elektrik çarpması riskini belirtir.



Yangın riskini belirtir.

Elektrikli El Aletleri İçin Genel Güvenlik Talimatları



UYARI: Bu elektrikli aletle verilen tüm güvenlik uyarılarını, talimatları, resimleri ve teknik özellikleri okuyun. Aşağıda listelenen tüm talimatlara uyulmaması elektrik çarpmasına, yangına ve/veya ciddi yaralanmalara neden olabilir.

BÜTÜN UYARI VE GÜVENLİK TALİMATLARINI İLERİDE BAKMAK ÜZERE SAKLAYIN

Uyarılarda yer alan «elektrikli alet» terimi şebeke elektrikliyle (kablolu) veya akü/pile (şarjlı) çalışan elektrikli aletinizi ifade etmektedir.

1) Çalışma alanının Güvenliği

- Çalışma alanını temiz ve aydınlık tutun.** Karışık ve karanlık alanlar kazaya davetiye çıkarır.
- Elektrikli aletleri, yanıcı sıvılar, gazlar ve tozların bulunduğu yerler gibi yanıcı ortamlarda çalıştırmayın.** Elektrikli aletler, toz veya dumanları ateşleyebilecek kıvılcımlar çıkarır.
- Bir elektrikli aleti çalıştırırken çocuklardan ve etraftaki kişilerden uzak tutun.** Dikkatinizi dağıtıcı şeyler kontrolü kaybetmenize neden olabilir.

2) Elektrik Güvenliği

- Elektrikli aletlerin fişleri prizlere uygun olmalıdır.** Fiş üzerinde kesinlikle hiçbir değişiklik yapmayın. **Topraklı elektrikli aletlerde hiçbir adaptör fişi kullanmayın.** Değiştirilmemiş fişler ve uygun prizler elektrik çarpması riskini azaltacaktır.
- Borular, radyatörler, ocaklar ve buzdolapları gibi topraklanmamış yüzeylerle vücut temasından kaçının.** Vücudunuzun topraklanması halinde yüksek bir elektrik çarpması riski vardır.
- Elektrikli aletleri yağmura maruz bırakmayın veya ıslatmayın.** Elektrikli alete su girmesi elektrik çarpması riskini arttıracaktır.
- Elektrik kablosunu uygun olmayan amaçlarla kullanmayın.** Elektrikli aleti kesinlikle kablosundan tutarak taşımayın, çekmeyin veya prizden çıkartmayın. Kabloyu sıcaktan, yağdan, keskin

kenarlardan veya hareketli parçalardan uzak tutun. Hasarlı veya dolanmış kablolar elektrik çarpması riskini artırır.

- e) **Elektrikli bir aleti açık havada çalıştırıyorsanız, açık havada kullanıma uygun bir uzatma kablosu kullanın.** Açık havada kullanıma uygun bir kablunun kullanılması elektrik çarpması riskini azaltır.
- f) **Eğer bir elektrikli aletin nemli bir bölgede çalıştırılması zorluyorsa, bir artık akım aygıtı (RCD) korumalı bir kaynak kullanın.** Bir RCD kullanılması elektrik şoku riskini azaltır.

3) Kişisel Güvenlik

- a) **Elektrikli bir aleti kullanırken her zaman dikkatli olun, yaptığınız işe yoğunlaşın ve sağduyulu davranın. Elektrikli bir aleti yorgunken veya ilaç ya da alkolün etkisi altındayken kullanmayın.** Elektrikli aletleri kullanırken bir anlık dikkatsizlik ciddi kişisel yaralanmayla sonuçlanabilir.
- b) **Kişisel koruyucu ekipmanları mutlaka kullanın. Daima koruyucu gözlük takın.** Koşullara uygun toz maskesi, kaymayan güvenlik ayakkabıları, baret veya kulaklık gibi koruyucu donanımların kullanılması kişisel yaralanmaları azaltacaktır.
- c) **İstem dışı çalıştırılmasını önleyin. Aleti güç kaynağına ve/veya aküye bağlamadan, yerden kaldırmadan veya taşımadan önce düğmenin kapalı konumunda olduğundan emin olun.** Aleti, parmağınız düğme üzerinde bulunacak şekilde taşımak veya açık konumdaki elektrikli aletleri elektrik şebekesine bağlamak kazaya davetiye çıkarır.
- d) **Elektrikli aleti açmadan önce tüm ayarlamaları anahtarlarını çıkartın.** Elektrikli aletin hareketli bir parçasına takılı kalmış bir anahtar kişisel yaralanmaya neden olabilir.
- e) **Ulaşmakta zorlandığınız yerlerde kullanmayın. Daima sağlam ve dengeli basın.** Bu, beklenmedik durumlarda elektrikli aletin daha iyi kontrol edilmesine olanak tanır.
- f) **Uygun şekilde giyinin. Bol elbiseler giymeyin ve takı takmayın. Saçınızı, elbiselerinizi ve eldivenlerinizi hareketli parçalardan uzak tutun.** Bol elbiseler ve takılar veya uzun saç hareketli parçalara takılabilir.
- g) **Eğer kullandığınız üründe toz emme ve toplama özellikleri olan ataşmanlar varsa bunların bağlı olduğundan ve doğru şekilde kullanıldığından emin olun.** Bu ataşmanların kullanılması tozla ilgili tehlikeleri azaltabilir.

4) Elektrikli Aletlerin Kullanımı ve Bakımı

- a) **Elektrikli aleti zorlamayın. Uygulamanız için doğru elektrikli aleti kullanın.** Doğru elektrikli alet, belirlendiği kapasite ayarında kullanıldığında daha iyi ve güvenli çalışacaktır.
- b) **Düğme açmıyor ve kapatmıyorsa elektrikli aleti kullanmayın.** Düğmeyle kontrol edilemeyen tüm elektrikli aletler tehlikelidir ve tamir edilmesi gerekmektedir.

- c) **Herhangi bir ayarlama, aksesuar değişimi veya elektrikli aletlerin saklanması öncesinde fişi güç kaynağından çekin ve/veya aküyü aletten ayırın.** Bu tür önleyici güvenlik tedbirleri elektrikli aletin istem dışı olarak çalıştırılması riskini azaltacaktır.
- d) **Elektrikli aleti, çocukların ulaşamayacağı yerlerde saklayın ve elektrikli aleti tanımayan veya bu talimatları bilmeyen kişilerin elektrikli aleti kullanmasına izin vermeyin.** Elektrikli aletler, eğitimsiz kullanıcıların elinde tehlikelidir.
- e) **Elektrikli aletleri iyi durumda muhafaza edin. Hareketli parçalardaki hizalama hatalarını ve tutuklukları, parçalardaki kırılmalar ve elektrikli aletin çalışmasını etkileyebilecek tüm diğer koşulları kontrol edin. Hasarlı ise, elektrikli aleti kullanmadan önce tamir ettirin.** Kazaların çoğu, elektrikli aletlerin bakımının yeterli şekilde yapılmamasından kaynaklanır.
- f) **Kesim aletlerini keskin ve temiz tutun.** Bakımı uygun şekilde yapılmış keskin kesim uçlu kesim aletlerinin sıkışma ihtimali daha düşüktür ve kontrol edilmesi daha kolaydır.
- g) **Elektrikli aleti, aksesuarlarını ve aletin diğer parçalarını kullanırken bu talimatlara mutlaka uyun ve çalışma ortamının koşullarını ve yapılacak işin ne olduğunu göz önünde bulundurun.** Elektrikli aletin öngörülen işlemler dışındaki işlemler için kullanılması tehlikeli durumlara neden olabilir.

5) Servis

- a) **Elektrikli aletinizi, sadece orijinal yedek parçalarını kullandığı yetkili DEWALT servisine tamir ettirin.** Bu, elektrikli aletin güvenliğinin muhafaza edilmesini sağlayacaktır.

Döner Kırıcı Deliciler için İlave Özel Güvenlik Kuralları

- **Koruyucu kulaklık kullanın.** Gürültüye maruz kalınması, işitme kaybına yol açabilir.
- **Ürün paketinde bulunan yardımcı tutma kollarını kullanın.** Kontrolü kaybetmeniz, yaralanmanıza neden olabilir.
- **Aletin, gömülü elektrik kablolarına veya kendi kablosuna temas etmesine yol açabilecek durumlarda aleti izole edilmiş saplarından tutun.** Alet elektrik akımı bulunan kablolarla temas ettiğinde, akım iletken metal parçaları üzerinden operatöre iletilerek elektrik çarpmasına yol açabilir.
- **Kesilecek parçayı sağlam bir yere sabitlemek için işkence veya başka araçlar kullanın.** Parçanın elinizle veya vücudunuzu kullanarak tutulması güvenilmezdir ve kontrol kaybına neden olabilir.
- **Koruyucu gözlük veya gözü koruyacak başka araçlar kullanın.** Kıрма delme işlemleri uçsarı talaşlara neden olur. Uçan parçacıklar kalıcı göz hasarına neden olabilir. Toz üreten uygulamalarda toz maskesi veya solunum aygıtı takın. Uygulamaların çoğu için koruyucu kulaklık gerekebilir.

- **Aleti her zaman sıkıca tutun. Bu aleti her iki elinizle kavramadan kullanmaya çalışmayın.** Yan tutamağın daima kullanılması tavsiye edilir. Bu aletin tek elle kullanılması kontrol kaybına neden olabilir. Nervürlü çelik gibi sert malzemelerin kırılması veya bu tür malzemelerle karşılaşılması da tehlikeli olabilir. Kullanmadan önce yan tutamağı sıkın.
- **Bu aleti uzun süre çalıştırmayın.** Çekiç etkisinden kaynaklanan titreşim el ve kollarınıza zarar verebilir. İlave tampon sağlamak için eldiven kullanın ve sık sık ara vererek maruz kalınan titreşimi sınırlayın.
- **Uçları kendi başınıza yenilemeye çalışmayın.** Keskilerin yenilenmesi yetkili bir uzman tarafından yapılmalıdır. Uygun olmayan şekilde yenilenmiş keskiyeraralanmaya neden olabilir.
- **Aleti kullanırken veya uçları değiştirirken eldiven giyin.** Alet üzerindeki açıkta olan metal parçalar ve uçlar çalışma sırasında oldukça sıcak olabilirler. Parçalanmış malzemenin küçük parçacıkları çıplak ellere zarar verebilir.
- **Uç tam olarak durmadan aleti asla yere koymayın.** Dönen uçlar yaralanmaya neden olabilir.
- **Sıkışan uçları çıkarmak için uçlara çekiçle vurmayın.** Metal veya malzeme parçacıkları fırlayarak yaralanmaya neden olabilir.
- **Hafifçe aşınmış keskiyer taşılama yöntemiyle yeniden keskinleştirilebilir.**
- **Elektrik kablosunu dönen uçtan uzakta tutun.** Kabloyu vücudunuzun hiçbir uzvuna sarmayın. Dönen uca dolaşan bir elektrik kablosu yaralanmaya ve kontrol kaybına neden olabilir.

UYARI: Bir kaçak akım cihazının 30mA veya daha az kaçık akımla kullanılmasını öneriyoruz.

Diğer Tehlikeler

Emniyet tedbirlerini düzenleyen yönetmeliğin uygulanmasına ve emniyet sağlayıcı aygıtların kullanılmasına rağmen, başka belirli risklerden kaçınılamaz. Bunlar:

- Duyma bozukluğu.
- Sıçrayan parçacıklardan kaynaklanan yaralanma riski.
- Çalışma sırasında ısınan aksesuarlardan kaynaklanan yanık tehlikesi.
- Uzun süreli kullanımdan kaynaklanan yaralanma riski.

Elektrik Güvenliği

Elektrik motoru sadece tek bir voltaj için tasarlanmıştır. Her zaman güç kaynağının, etiket plakasındaki voltaja aynı olup olmadığını kontrol edin.

DeWALT aletiniz EN60745 standardına uygun olarak çift yalıtımlıdır; bu nedenle, topraklama kablosuna gerek yoktur.

Güç kablosu hasarlıysa, DeWALT yetkili servisinden temin edilebilen özel olarak hazırlanmış bir kabloyla değiştirilmelidir.

Uzatma Kablolarının Kullanımı

Kesinlikle gerekli olmadıkça bir uzatma kablosu kullanılmamalıdır. Daima şarj cihazınızın elektrik girişine uygun (Teknik Özellikleri bölümüne bakın), onaylı bir uzatma kablosu

kullanın. Minimum iletken boyutu 1,5 mm²'dir; maksimum uzunluk 30 m'dir.

Bir kablo makarası kullanırken, kabloyu daima sonuna kadar açın.

Ambalaj İçeriği

Ambalaj, aşağıdaki parçaları içermektedir:

- 1 Ağır hizmet tipi döner kırıcı delici
- 1 Yan tutamak
- 1 Derinlik ayarlama çubuğu
- 1 Anahtarsız mandren (D25134, D25144)
- 1 Kullanım kılavuzu
- Alet, parçalar ve aksesuarlarda nakliye sırasında hasar oluşup oluşmadığını kontrol edin.
- Çalıştırmadan önce bu kılavuzu iyice okuyup anlamak için zaman ayırın.

Alet Üzerindeki Etiketler

Alet üzerinde, aşağıdaki uyarı sembolleri bulunmaktadır:



Aletle çalışmaya başlamadan önce bu kılavuzu okuyun.



Kulaklık takın.



Koruyucu gözlük takın.

Tarih Kodu Konumu (Şek. [Fig.] A)

İmalat yılını da içeren Tarih Kodu **12** gövdeye basılıdır.

Örnek:

2017 XX XX

İmalat Yılı

Açıklama (Şek. A, E, H)



UYARI: Hiçbir zaman elektrikli aleti veya herhangi bir parçasını değiştirmeyin. Hasarla veya yaralanmayla sonuçlanabilir.

- 1 Değişken hız anahtarı
- 2 Ana kol
- 3 İleri/Geri kolu
- 4 Mod seçici
- 5 Mod seçme düğmesi
- 6 SDS Plus alet tutucu
- 7 Derinlik ayarlama düğmesi
- 8 Yan tutamak
- 9 Derinlik çubuğu düğmesi
- 10 Manşon
- 11 Toz kapağı
- 12 Tarih kodu
- 13 Kilit bileziği (D25134, D25144)
- 14 Anahtarsız mandren (D25134, D25144)
- 15 Yan kol çalışma ışığı (D25144, D25263)
- 16 Batarya kapağı vidası (D25144, D25263)

TÜRKÇE

17 Işık açma/kapama düğmesi (D25144, D25263)

Kullanım Amacı

D25032 ağır iş tipi döner çekiç profesyonel delme, darbeli delme ve vidalama işlemleri için tasarlanmıştır. D25033, D25133, D25134, D25143, D25144 ve D25263 ağır iş tipi döner çekiçler profesyonel delme, darbeli delme, vidalama ve hafif dökme işlemleri için tasarlanmıştır.

Islak koşullarda veya yanıcı sıvı ya da gazların mevcut olduğu ortamlarda **KULLANMAYIN**.

Bu kırıcı deliciler profesyonel elektrikli aletlerdir.

Çocukların aleti ellemesine **İZİN VERMEYİN**. Bu alet deneyimsiz kullanıcılar tarafından kullanılırken nezaret edilmelidir.

- Bu ürün fiziksel ve zihinsel kapasitesinin yanı sıra algılama gücü azalmış olan veya yeterince deneyim ve bilgisi bulunmayan kişiler (çocuklar dahil) tarafından kullanılmak üzere üretilmemiştir. Bu tür kişiler ürünü ancak güvenliklerinden sorumlu bir kişi tarafından cihazın kullanımıyla ilgili talimatların verilmesi veya sürekli kontrol altında tutulması durumunda kullanabilir. Çocuklar, bu ürün ile kontrol altında tutulmalıdır.

Tork sınırlama kavraması

Tüm döner kırıcı deliciler matkap ucunun sıkışması durumunda operatöre iletilen maksimum tork tepkisini azaltmak için bir tork sınırlama kavraması ile donatılmışlardır. Bu özellik ayrıca dişli ve elektrik motorunun teklemesini de engeller. Tork sınırlama kavraması fabrikada ayarlanmış olarak gelir ve sonradan ayarlanamaz.

MONTAJ VE AYARLAMALAR

UYARI: Ciddi yaralanma riskini azaltmak için herhangi bir ayar yapmadan ya da parça veya aksesuarları söküp takmadan önce aleti kapatın ve güç kaynağından ayırın. Tetik düğmesinin KAPALI konumunda olduğunu kontrol edin. Aletin yanlışlıkla çalıştırılması yaralanmaya neden olabilir.

Çalışma Modunun Seçilmesi (Şek. B)

Bu alet aşağıdaki çalışma modlarında kullanılabilir:



Döner delme: vidalama ve çelik, ahşap ve plastikleri delmek için.



Darbeli delme: beton ve çimento bazlı malzemeleri delmek için.
Uç dönüşü: sadece düz keskiyi istenen pozisyona döndürmek için kullanılan çalışmayan pozisyon.



Sadece darbe (D25033, D25133, D25134, D25143, D25144, D25263): hafif yontma, kesileme ve yıkım uygulamaları için. Bu modda alet ayrıca sıkışan bir matkap ucunu kurtarmak için bir levye gibi de kullanılabilir.

- Kullanım modunu seçmek için, mod seçme düğmesine **5** basın ve istenilen modun sembolüne denk gelene kadar mod seçim anahtarını **4** döndürün.

- Mod seçme düğmesini bırakın ve mod seçme anahtarının yerinde sabit olup olmadığını kontrol edin.



UYARI: Çalışma modunu, alet çalışırken seçmeyin.

Keski Pozisyonunun Belirlenmesi (Şek. B)

Keski farklı konumlarda indekslenip kilitlenebilir.

- Mod seçme düğmesine **5** basın ve "uç döndürme/darbeli delme" konumunu gösterene kadar mod seçme anahtarını **4** çevirin.
- Keskiyi istenilen pozisyona döndürün.
- Mod seçme düğmesini **4** "sadece çekiç" pozisyonuna çevirin.
- Keskiyi pozisyona sabitlenene dek döndürün.

SDS Plus Aksesuarlarının Takılıp Çıkarılması (Şek. C)

Bu alet SDS Plus aksesuarlarını kullanır (SDS Plus uç sapının kesiti için Şek. C'deki küçük resme bakın). Sadece profesyonel aksesuarlar kullanmanızı tavsiye ederiz.

- Uç sapını temizleyerek gresleyin.
- Matkap şaftını SDS Plus alet tutucuya **6** yerleştirin.
- Ucu aşağı bastırarak oluklara oturana dek hafifçe çevirin.
- Düzgün oturup oturmadığını kontrol etmek için ucu çekin. Kırma delme fonksiyonu, uç yuvasına oturduğunda ucun eksenel olarak birkaç santimetre oynayabilmesini gerektirir.
- Ucu çıkarmak için, kilit manşonunu **10** çekin ve ucu çıkarın.



UYARI: Aksesuar değiştirirken daima eldiven giyin. Alet ve aksesuar üzerindeki açıkta olan metal parçalar çalışma sırasında oldukça sıcak olabilirler.

Yan Tutamağın Takılması (Şek. D)

Yan kol **8** hem sağ el hem de sol elini kullanan kişiler için ayarlanabilir.



UYARI: Yan tutamak düzgün takılmadan aleti kullanmayın.

- Yan tutamağı gevşetin.
- Sağ elini kullanan kişiler için:** tutamak solda kalacak şekilde yan tutamak kelepçesini uç yuvasının arka kısmında bulunan manşonun üzerinden geçirin.
Sol elini kullanan kişiler için: tutamak sağda kalacak şekilde yan tutamak kelepçesini uç yuvasının arka kısmında bulunan manşonun üzerinden geçirin.
- Yan tutamağı istenilen pozisyona döndürün ve tutamağı sıkın.

Yan kol Çalışma İşığı (Şek. E)

D25144, D25263

D25144 ve D25263 üzerindeki yan kolda çalışma işığı **15** mevcuttur. Işık bataryayla çalışmaktadır ve açma/kapama düğmesi **17** ile kullanılır.

Çalışma işığının bataryasını değiştirmek için (CR2032 x 2):

- Şek. E'de gösterildiği şekilde batarya kapağı vidasını **16** çıkarın.
- Artı kutbu dış tarafa bakacak şekilde bataryayı yerleştirin.

3. Batarya yuvasını kapatın ve vidayı sıkın.

Delme Derinliğinin Ayarlanması (Şek. F)

1. Gereken matkap ucunu yukarıda anlatıldığı şekilde takın.
2. Derinlik çubuğu düğmesine **9** basın ve basılı tutun.
3. Derinlik ayarlama çubuğunu **7** derinlik sabitleme kelepçesinin içinden geçirin.
4. Delme derinliğini şekilde gösterildiği gibi ayarlayın.
5. Derinlik sabitleme kelepçesini serbest bırakın.

Ters Çevirme Kolu (Şek. G)

İleri/geri kolu **3** sadece delme modundayken vidaları veya sıkışan uçları çıkarmak için döner çekici tersine döndürmek için kullanılır.

! DİKKAT: Sıkışan uçları tersine döndürürken güçlü reaktif torka hazırlıklı olun.

Çekici tersine döndürmek için, kapatın ve ileri/geri kolunu **3** sarı ok arkaya bakacak şekilde hizalayın.

Kolu normal dönme pozisyonuna ayarlamak için, döner çekici kapatın ve ileri/geri kolunu **3** sarı ok öne bakacak şekilde hizalayın.

Mandren Adaptörü ve Mandrenin Takılması

OPsiyonel Aksesuarlar

D25032, D25033, D25133, D25143, D25263

1. Mandreni mandren adaptörünün dişli ucuna vidalayın.
2. Bağlı mandren ve adaptörü, standart SDS Plus uçmuş gibi alete takın.
3. Mandren, standart SDS Plus ucla aynı şekilde çıkarılır.

! UYARI: Standart mandrenleri asla darbeli delme modunda kullanmayın.

SDS Plus Alet Tutucunun Anahtarsız Mandren ile Birlikte Değiştirilmesi (Şek. H)

D25134, D25144

1. Kilitleme bileziğini **13** açık pozisyona getirin ve SDS Plus Alet Tutucuyu **6** dışarı çekin.
2. Anahtarsız mandreni **14** milin üzerine itin ve kilitleme bileziğini **13** kilitli pozisyona döndürün.

Anahtarsız mandreni SDS Plus alet tutucu ile birlikte değiştirmek için, önce anahtarsız mandreni de alet tutucuyu çıkarttığınız gibi çıkartın. Sonrasında alet tutucuyu anahtarsız mandrenin yerleştirildiği gibi yerleştirin, kilitleme bileziğini kilitlediğinizden emin olun.

! UYARI: Standart mandrenleri asla darbeli delme modunda kullanmayın.

Toz Kapağının Değiştirilmesi (Şek. A)

Toz kapağı **11** mekanizmaya toz girmesini engeller. Eski toz kapağını derhal değiştirin.

1. Uç yuvası sabitleme bileziğini **10** geri çekin ve toz kapağını **11** çekerek çıkarın.
2. Yeni toz kapağını takın.

3. Uç yuvası sabitleme bileziğini bırakın.

KULLANMA

Kullanma Talimatları

! UYARI: Güvenlik talimatlarına ve geçerli yönetmeliklere daima uyun.

! UYARI: Ciddi yaralanma riskini azaltmak için herhangi bir ayar yapmadan ya da parça veya aksesuarları söküp takmadan önce aleti kapatın ve güç kaynağından ayırın. Tetik düğmesinin KAPALI konumda olduğunu kontrol edin. Aletin yanlışlıkla çalıştırılması yaralanmaya neden olabilir.

! UYARI:

- Güvenlik talimatlarına ve geçerli düzenlemelere her zaman uyun.
- Boru ve kablo tesisatlarının yerlerine dikkat edin.
- Alete sadece hafif bir baskı (yaklaşık 5 kg) uygulayın. Aşırı güç uygulamak delme işlemini hızlandırmadığı gibi aletin performansını düşürerek ömrünü kısaltır.
- Toz kapağına zarar vermemek için çok derin delmeyin veya ilerlemeyin.
- Daima aleti iki elinizle sıkıca tutun ve duruşunuzun güvenli olmasına dikkat edin (Şek. I). Aleti daima yan tutamak düzgün takılı vaziyette kullanın.

Uygun El Pozisyonu (Şek. I)

! UYARI: Ciddi yaralanma riskini azaltmak için, DAİMA şekilde gösterilen uygun el pozisyonunu kullanın.

! UYARI: Ciddi yaralanma riskini azaltmak için, ani tepki ihtimaline karşı aleti DAİMA sıkıca tutun.

Uygun el pozisyonu bir elin yan tutamakta **8** ve diğer elin ana tutamakta **2** olmasını gerektirir.

Açma Kapama (Şek. A)

1. Aleti çalıştırmak için değişken hız düğmesine **1** basın. Değişken hız düğmesi üzerine uygulanan basınç aletin hızını belirler.
2. Sürekli çalışma için değişken hız anahtarını basılı tutun.
3. Aleti durdurmak için düğmeyi bırakın.

Darbeli delme (Şek. A)

Sert ucla delme

1. Mod seçme düğmesini **5** basılı tutun ve mod seçme anahtarını **4** darbeli delme konumuna getirin.

2. Uygun matkap ucu takın.

NOT: En iyi sonuçlar için yüksek kalitede karbür uçlar kullanın.

3. Gerektiğinde yan tutamağı **8** ayarlayın.
4. Gerekirse delme derinliğini ayarlayın.
5. Delik delinecek yeri işaretleyin.
6. Matkap ucunu delinecek yere yerleştirin ve aleti açın.
7. İş bittikten sonra ve fişi prizden çıkarmadan önce daima aleti kapatın.

Karot Uçla Delme

1. Mod seçme düğmesini **5** basılı tutun ve mod seçme anahtarını **4** darbeli delme konumuna getirin.
2. Gerektiğinde yan tutamağı **8** ayarlayın.
3. Uygun karot uç takın.
4. Punta matkabını karot uca takın.
5. Delgi matkabını noktanın üzerine yerleştirin ve açma/kapama anahtarına **1** basın. Karot betona yaklaşık 1 cm girene dek delin.
6. Delmeyi durdurun ve punta matkabını çıkarın. Karot ucu deliğe tekrar yerleştirerek delmeye devam edin.
7. Delinecek yapının kalınlığı karot ucunun derinliğinden daha fazla ise düzenli aralıklarla ucu içindeki yuvarlak beton veya özü kırarak çıkarın. Deliğin etrafındaki betonun istenmeden kırılmasını engellemek için öncelikle yapı boyunca çapı punta matkabının çapıyla aynı olan bir delik açın. Ardından bu deliği her iki taraftan yarıya kadar delerek genişletin.
8. İş bittikten sonra ve fişi prizden çıkarmadan önce daima aleti kapatın.

Döner Delme (Şek. A)

1. Mod seçme düğmesini **5** basılı tutun ve mod seçme anahtarını **4** döner delme konumuna getirin.
2. Aletinize bağlı olarak aşağıdaki talimatlardan birini takip edin:
 - **D25032, D25033, D25133, D25143, D25263:** Mandren adaptörü/mandren düzeneğini takın.
 - **D25134, D25144:** SDS Plus alet tutucuyu anahtarsız mandren ile birlikte değiştirin.
3. Darbeli delme için şu şekilde hareket edin.



UYARI: Standart mandrenleri asla darbeli delme modunda kullanmayın.

Vidalama (Şek. A)

1. Mod seçme düğmesini **5** basılı tutun ve mod seçme anahtarını **4** döner delme konumuna getirin.
2. Dönüş yönünü seçin.
3. Aletinize bağlı olarak aşağıdaki talimatlardan birini takip edin:
 - **D25032, D25033, D25133, D25143, D25263:** Altı köşe tornavida uçlarıyla kullanmak için özel SDS Plus vidalama adaptörünü takın.
 - **D25134, D25144:** SDS Plus alet tutucuyu anahtarsız mandren ile birlikte değiştirin.
4. Uygun tornavida ucu takın. Düz yanklı vidaları vidalarken daima yarı bulma aparatlı uçlar kullanın.
5. Vidaya hasar gelmesini engellemek için değişken hız düğmesine **1** yavaşça basın. Ters yöne (LH) dönerken alet hızı vidaları kolay çıkarmak için otomatik olarak düşer.
6. Vida çalışılan parçaya tamamen girdiğinde, vida başının çalışılan parçaya girmesini engellemek için değişken hız düğmesini bırakın.

Yontma ve Keskileme (Şek. A)

D25033, D25133, D25134, D25143, D25144, D25263:

1. Mod seçme düğmesini **5** basılı tutun ve mod seçme anahtarını **4** "yalnızca darbeli delme" konumuna getirin.
2. Uygun keskiyi yerleştirin ve kilitlemek için elle döndürün.
3. Gerektiğinde yan tutamağı **8** ayarlayın.
4. Aleti açın ve çalışmaya başlayın.
5. İş bittikten sonra ve fişi prizden çıkarmadan önce daima aleti kapatın.



UYARI:

- Bu aleti kolay tutuşur veya patlayıcı sıvıları (benzin, alkol, vs.) karıştırmak veya pompalamak için kullanmayın.
- Etiketinde yanıcı olduğu belirtilen sıvıları karıştırmayın.

BAKIM

DEWALT elektrikli aletiniz minimum bakımla uzun bir süre çalışacak şekilde tasarlanmıştır. Kesintisiz olarak memnuniyet verici bir şekilde çalışması gerekli özenin gösterilmesine ve düzenli temizliğe bağlıdır.



UYARI: Ciddi yaralanma riskini azaltmak için

herhangi bir ayar yapmadan ya da parça veya aksesuarları söküp takmadan önce aleti kapatın ve güç kaynağından ayırın. Tetik düğmesinin KAPALI konumda olduğunu kontrol edin. Aletin yanlışlıkla çalıştırılması yaralanmaya neden olabilir.

- Bu makineye kullanıcı tarafından servis yapılamaz. Yaklaşık 40 saat kullanım sonunda aleti yetkili DEWALT servisine götürün. Bu süreden önce sorunla karşılaşırsanız yetkili DEWALT servisine başvurun.
- Karbon fırçalar eskidiğinde alet otomatik olarak kapanır.

Motor Fırçaları

DEWALT, fırçalar aşındığında matkabı otomatik olarak durduran bir ileri fırça sistemi kullanır. Bu sayede motorun ciddi hasar görmesi engellenir. Yeni fırça kompleleri yetkili DEWALT servis merkezlerinden temin edilebilir. Daima orijinal yedek parça kullanın.



Yağlama

Elektrikli aletiniz ek bir yağlama gerektirmemektedir.

Kullanılan aksesuarlar ve takımların, SDS Plus donanımının etrafına gelen kısımları düzenli olarak yağlanmalıdır.



Temizleme



UYARI: Havalandırma deliklerinde ve etrafında toz toplanması halinde bu tozu ve kiri kuru hava kullanarak ana gövdeden uzaklaştırın. Bu işlemi gerçekleştirirken onaylı bir göz koruması ve onaylı toz maskesi takın.



UYARI: Aletin metalik olmayan parçalarını temizlemek için asla çözücü veya başka sert kimyasal kullanmayın. Bu kimyasallar bu parçalarda kullanılan malzemeleri güçsüzeleştirir. Yalnızca su ve yumuşak sabunla nemlendirilmiş bir bez kullanın. Aletin içine herhangi bir sıvının girmesine izin vermeyin; aletin herhangi bir parçasını bir sıvı içine daldırmayın.

İlave Aksesuarlar



UYARI: DEWALT tarafından tedarik veya tavsiye edilenlerin dışındaki aksesuarlar bu ürün üzerinde test edilmediğinden, söz konusu aksesuarların bu aletle birlikte kullanılması tehlikeli olabilir. Yaralanma riskini azaltmak için bu ürünle birlikte sadece DEWALT tarafından tavsiye edilen aksesuarlar kullanılmalıdır.

Opsiyonel olarak çeşitli tiplerde SDS Plus matkap uçları ve keskililer mevcuttur.

Uygun aksesuarlarla ilgili daha fazla bilgi almak için satış noktalarıyla görüşün.

Çevrenin Korunması



Ayrı toplama. Bu işaretlenmiş simgeyle ürün ve piller normal evsel atıklarla birlikte çöpe atılmamalıdır.

Bazı malzemeleri içeren ürün ve piller geri

dönüştürülebilir veya geri kazanılabilir, bu da bazı hammaddeler için talebi azaltabilir. Lütfen elektrikli ürünleri ve pilleri yerel yasal mevzuata uygun şekilde geri dönüşüme tabi tutun. Daha ayrıntılı bilgiler www.2helpU.com adresinde mevcuttur

Sanayi ve Ticaret Bakanlığı tebliğince kullanım ömrü 7 yıldır.

Türkiye Distribütörü

STANLEY BLACK & DECKER TURKEY

ALET ÜRETİM SAN. TİC. LTD. ŞTİ.

AND Kozyatağı – İçerenköy Mah.

Umut Sok. AND Ofis Sit.

No: 10-12 / 82-83-84

Ataşehir/İstanbul TURKEY

Tel: +90 216 665 2900

Fax: +90 216 665 2901

info-tr@sbdinc.com

DEWALT GARANTİ BELGESİ

İTHALATÇI FİRMA

Ünvanı : STANLEY BLACK&DECKER TÜRKİYE ALET ÜRETİM SAN. TIC. LTD.ŞTİ.
Adresi : AND Kozayağı - İçerenköy Mah. Umur Sok. AND Ofis Sit. No: 10-12 / 82-83-84
Telefon No. : Ataşehir/İstanbul, TÜRKİYE
: 0216 665 29 00
Faks No. : 0216 665 29 01
E-mail : info-tr@sbdinc.com

STANLEY BLACK & DECKER TÜRKİYE
ALET ÜRETİM SAN. TIC. LTD.ŞTİ.
İÇERENKÖY MAHALLESİ, UMUR SOK. AND OFİS SİT. NO: 10-12 / 82-83-84
ATAŞEHİR/İSTANBUL, TÜRKİYE
0216 665 29 00
0216 665 29 01
info-tr@sbdinc.com

ÜRÜNÜN

Cinsi :
Markası : **DEWALT**
Modeli :
Seri Numarası :
Garanti Süresi : 2 YIL
Azami Tamir Süresi : 20 İŞ GÜNÜ

SATICI FİRMANIN

Ünvanı :
Adresi :
Telefon No. :
Faks No. :
Fatura Tarih ve No. :
Ürün Teslim Tarihi :
Ürün Teslim Yeri :
Belgeyi Doldurmanın Adı Soyadı :

Kaşe - Yetkili İmza

GARANTİ ŞARTLARI

- Garanti süresi, malın teslim tarihinden itibaren başlar ve 2 yıldır.
- Malın bütün parçaları dahil olmak üzere tamamı firmamızın garantisine kapsamındadır.
- Malın ayıplı olduğunun anlaşılması durumunda tüketici, 6502 sayılı Tüketicinin Korunması Hakkında Kanunun 11 inci maddesinde yer alan;
a- Sözleşmeden dönme,
b-Satış bedelinden indirim isteme
c-Ücretsiz onarılmasını isteme
d-Satılanın ayıpsız bir misli ile değiştirilmesini isteme,
haklarından birini kullanabilir.
- Tüketicinin bu haklardan ücretsiz onarım hakkını seçmesi durumunda satıcı; işçilik masrafı, değiştirilen parça bedeli ya da başka herhangi bir ad altında hiçbir ücret talep etmeksizin malın onarımını yapmak veya yaptırmakla yükümlüdür. Tüketicisi ücretsiz onarım hakkını üretici veya ithalatçıya karşı da kullanabilir.
Satıcı, üretici ve ithalatçı tüketici için bu hakkını kullanmasından müteselsilen sorumludur.
- Tüketicinin, ücretsiz onarım hakkını kullanması halinde malın;
- Garanti süresi içinde tekrar arızalanması,
- Tamiri için gereken azami sürenin aşılması,
- Tamirinin mümkün olmadığının, yetkili servis istasyonu, satıcı, üretici veya ithalatçı tarafından bir raporla belirlenmesi durumlarında; tüketici malın bedel iadesini, ayıp oranında bedel indirimini veya imkan varsa malın ayıpsız misli ile değiştirilmesini satıcıdan talep edebilir.
Satıcı, tüketici talebini reddedemez. Bu talebin yerine getirilmemesi durumunda satıcı, üretici ve ithalatçı müteselsilen sorumludur.
- Malın tamir süresi 20 iş gününü geçemez. Bu süre, garanti süresi içerisinde mala ilişkin arızanın yetkili servis istasyonuna veya satıcıya bildirim tarihinde, garanti süresi dışında ise malın yetkili servis istasyonuna teslim tarihinden itibaren başlar. Malın arızasının 10 iş günü içerisinde giderilmemesi halinde, üretici veya ithalatçı; malın tamiri tamamlanuncaya kadar, benzer özelliklere sahip başka bir malı tüketici için kullanıma tahsis etmek zorundadır. Malın garanti süresi içerisinde arızalanması durumunda, tamirde geçen süre garanti süresine eklenir.
- Malın kullanma kılavuzunda yer alan hususlara aykırı kullanılmasından kaynaklanan arızalar garanti kapsamı dışındadır.
- Garanti kapsam şartları;
a-Ürün hatalı kullanılmamıştır.
b-Ürün yıpranmamış, hırpanmamış ve aşınmamıştır.
c-Yetkili olmayan kişilerce tamire çalışılmamıştır.
d-Satın alma belgesi (fatura) ibraz edilmiştir.
e-Ürün, tüm orijinal parçaları ile iade edilmiştir.
- Tüketici, garantiden doğan haklarının kullanılması ile ilgili olarak çıkabilecek uyuşmazlıklarda yerleşim yerinin bulunduğu veya tüketici işleminin yapıldığı yerdeki Tüketici Hakem Heyetine veya Tüketici Mahkemesine başvurabilir.
- Satıcı tarafından bu Garanti Belgesinin verilmesi durumunda, tüketici Gümrük ve Ticaret Bakanlığı Tüketicinin Korunması ve Piyasa Gözetimi Genel Müdürlüğüne başvurabilir.

EEE Yönetmeliğine uygundur.



KULLANMA KILAVUZU İÇİN EK BİLGİLER

-Taşıma ve nakliye sırasında dikkat edilecek hususlar;
Cihazı taşıma ve nakliye esnasında hasar verecek şekilde taşınmamalı, bir yerden bir yere fırlatılmamalı, istifleme yapılırken dikkat edilmeli.

-Gümrük ve Ticaret Bakanlığı uyarınca belirlenen kullanım ömürleri aşağıdaki gibidir;

Testere Makineleri	7 yıl
Polisaj Makineleri	7 yıl
Matkaplar	7 yıl
Vidalama Makineleri	7 yıl
Zımpara Makineleri	7 yıl

-Malın ayıplı olduğunun anlaşılması durumunda tüketici, 6502 sayılı Tüketici Korunması Hakkında Kanununun 11 inci maddesinde yer alan;

a- Sözleşmeden dönme,

b-Satış bedelinden indirim isteme

c-Ücretsiz onarılmasını isteme

d-Satılanın ayıpsız bir misli ile değiştirilmesini isteme,
haklarından birini kullanabilir.

-Tüketici, garantiden doğan haklarının kullanılması ile ilgili olarak çıkabilecek uyuşmazlıklarda yerleşim yerinin bulunduğu veya tüketici işleminin yapıldığı yerdeki Tüketici Hakem Heyetine veya Tüketici Mahkemesine başvurabilir.

