

DEWALT®

www.DEWALT.com

DWE7485

English (original instructions)	2
Русский (<i>перевод с оригинала инструкции</i>)	16
Türkçe (<i>orijinal talimatlardan çevrilmiştir</i>)	34
Українська (<i>перекладено з оригінальних інструкцій</i>)	49

Fig. A

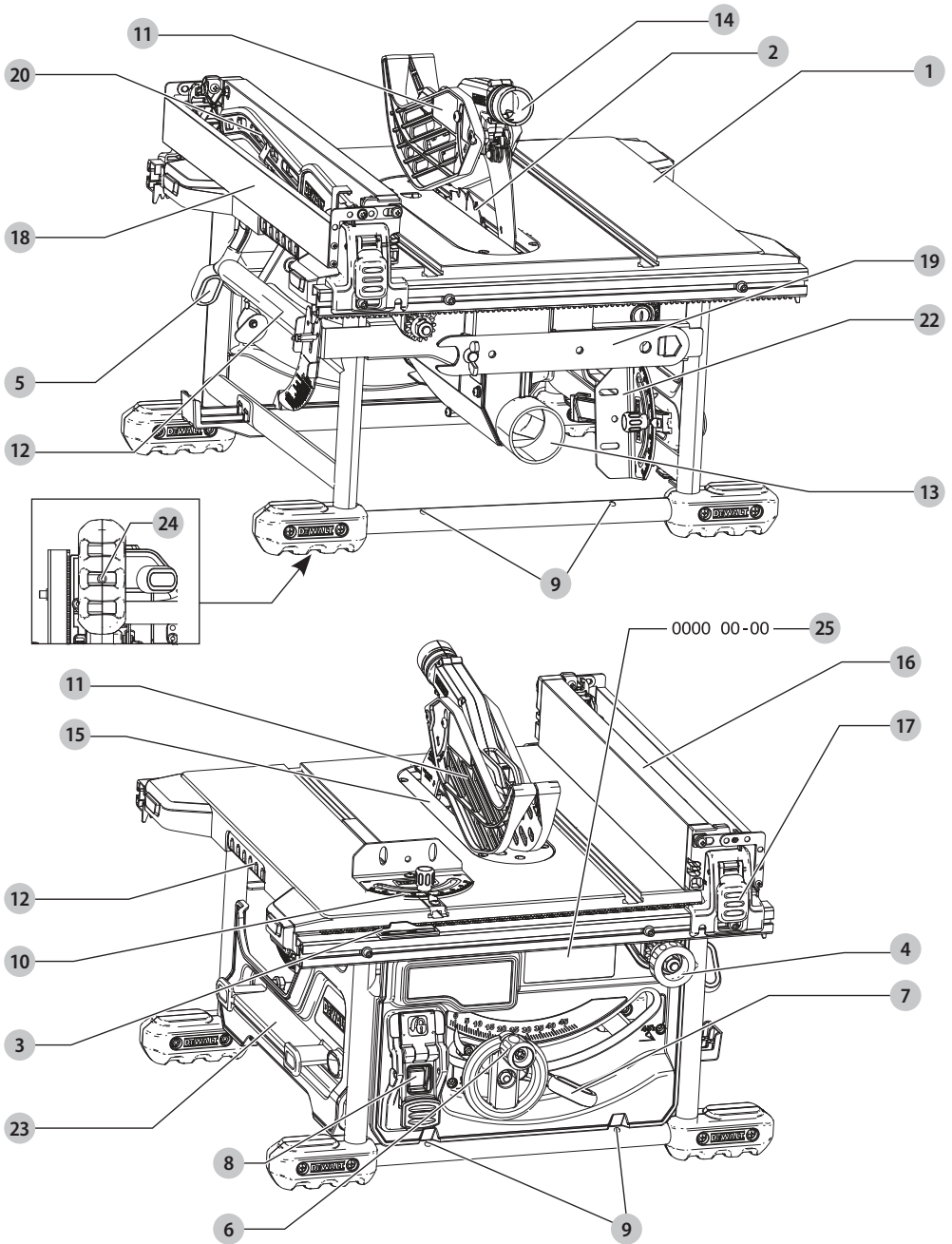


Fig. B

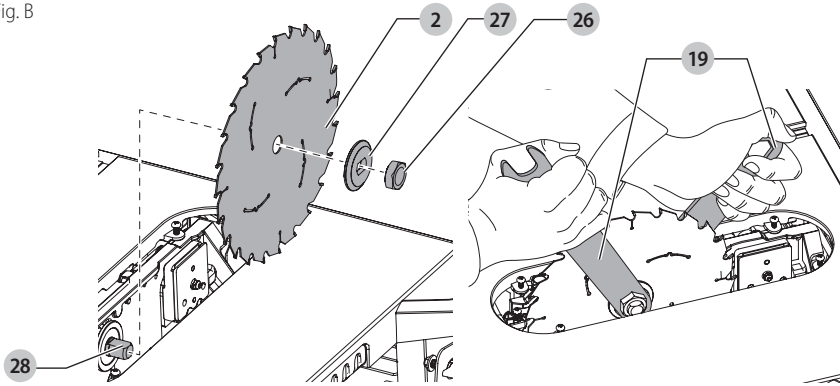


Fig. C

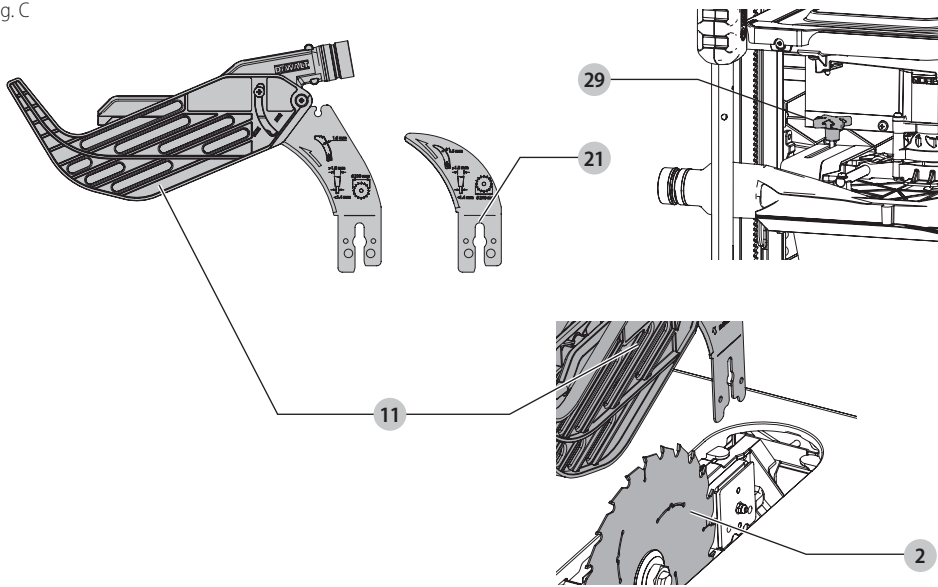


Fig. D

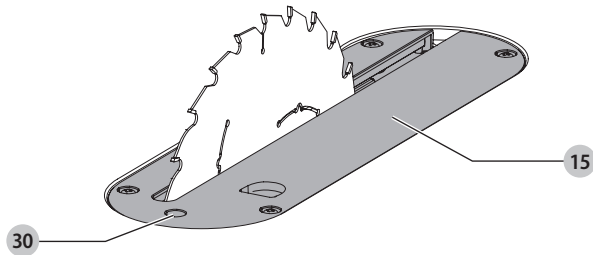


Fig. E

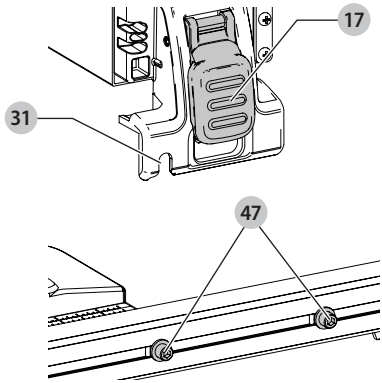


Fig. F

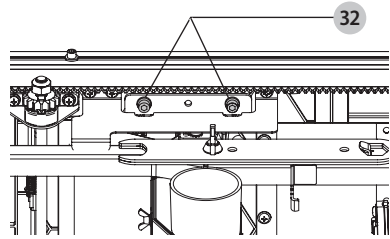


Fig. G

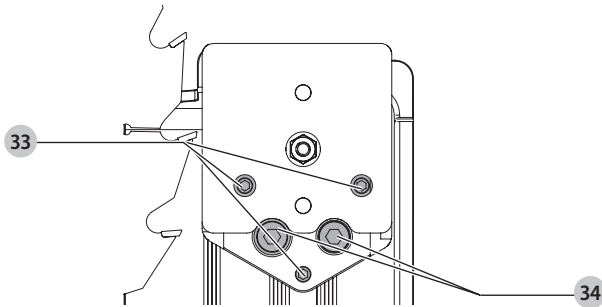


Fig. H

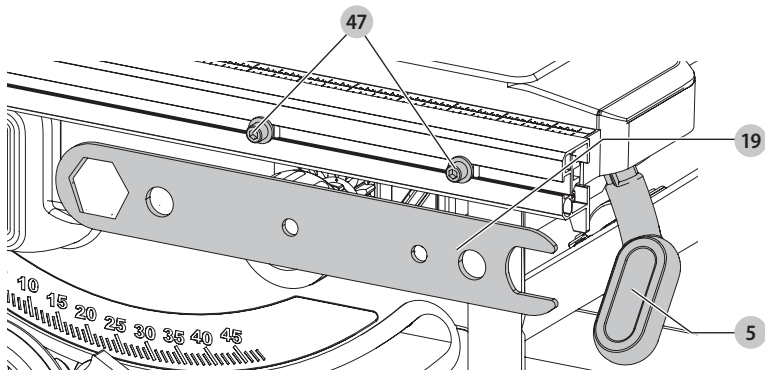


Fig. I

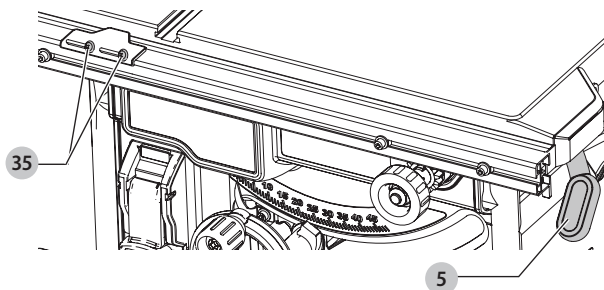


Fig. J

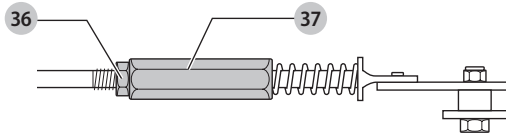


Fig. K

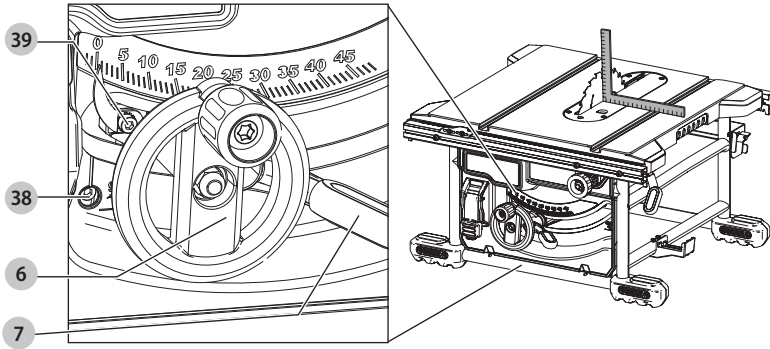


Fig. L

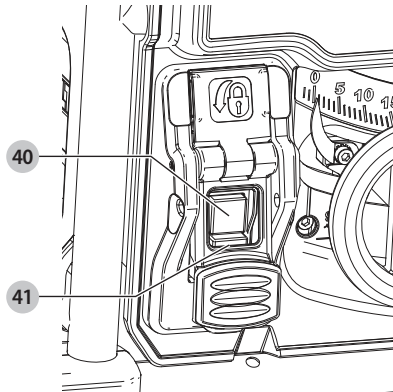


Fig. M

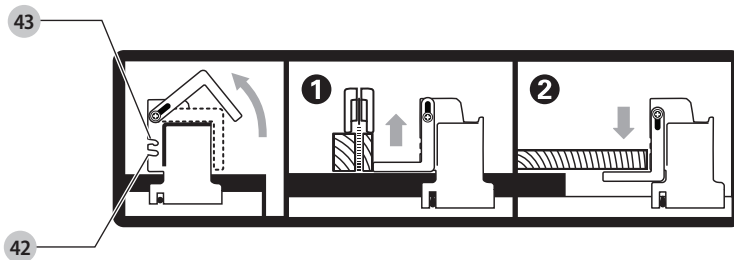


Fig. N

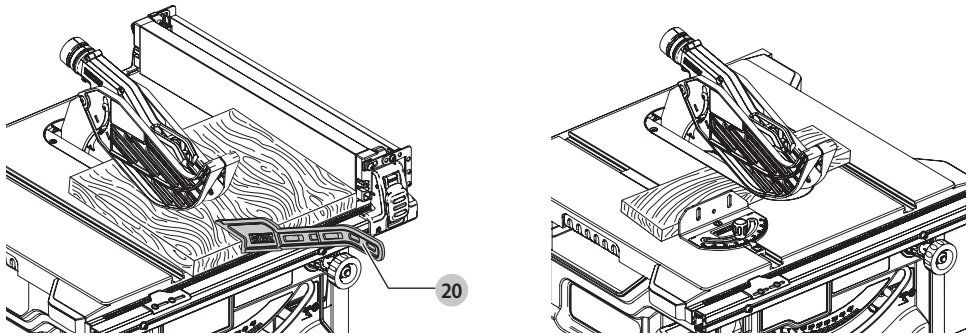


Fig. O

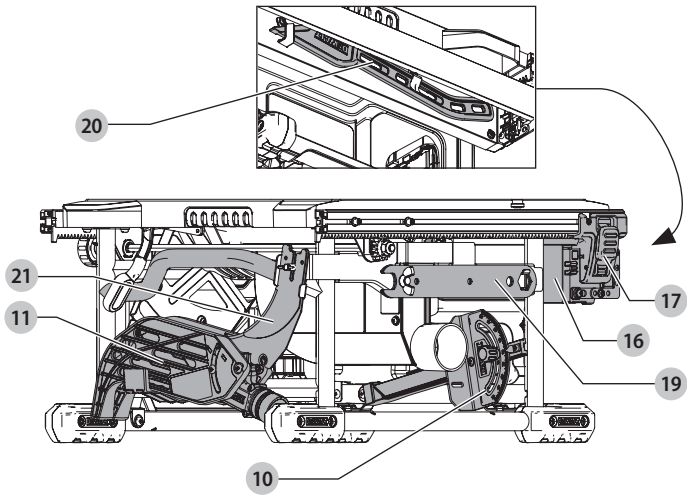


Fig. P

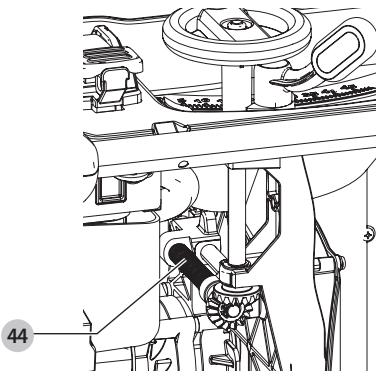


Fig. Q

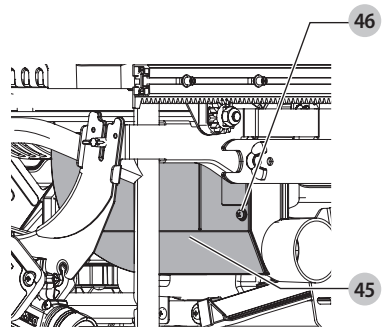


TABLE SAW

DWE7485

Congratulations!

You have chosen a DEWALT tool. Years of experience, thorough product development and innovation make DEWALT one of the most reliable partners for professional power tool users.

Technical Data

		DWE7485 (QS, GB)	DWE7485 (XE)	DWE7485 (LX)
Voltage	V _{bc}	230	220–240	115
Type		1	1	1
Rated input power	W	1850	1850	1700
No load speed	min ⁻¹	5800	5800	5800
Blade diameter	mm	210	210	210
Blade bore	mm	30	30	30
Blade kerf	mm	1.8	1.8	1.8
Blade body thickness	mm	1.3	1.3	1.3
Riving knife thickness	mm	1.6	1.6	1.6
Depth of cut at 90°	mm	65	65	65
Depth of bevel cut at 45°	mm	45	45	45
Ripping capacity (Right of blade)	mm	622.3	622.3	622.3
Ripping capacity (Left of blade)	mm	318	318	318
Work surface dimensions	mm	485 x 485	485 x 485	485 x 485
Overall dimensions	mm	605 x 605 x 330	605 x 605 x 330	605 x 605 x 330
Weight	kg	22	22	22
Noise values and/or vibration values (tri-ax vector sum) according to EN62841-1-2015:				
L _{PA} (emission sound pressure level)	dB(A)	90	90	91
L _{WA} (sound power level)	dB(A)	107	107	108
K (uncertainty for the given sound level)	dB(A)	3	3	3

The vibration and/or noise emission level given in this information sheet has been measured in accordance with a standardised test given in EN62841 and may be used to compare one tool with another. It may be used for a preliminary assessment of exposure.

WARNING: The declared vibration and/or noise emission level represents the main applications of the tool. However if the tool is used for different applications, with different accessories or poorly maintained, the vibration and/or noise emission may differ. This may significantly increase the exposure level over the total working period.
An estimation of the level of exposure to vibration and/or noise should also take into account the times when the tool is switched off or when it is running but not actually doing

the job. This may significantly reduce the exposure level over the total working period.

Identify additional safety measures to protect the operator from the effects of vibration and/or noise such as: maintain the tool and the accessories, keep the hands warm (relevant for vibration), organisation of work patterns.

EC-Declaration of Conformity

Machinery Directive



Table Saw DWE7485

DEWALT declares that these products described under **Technical Data** are in compliance with: 2006/42/EC, EN62841-1:2015+AC:2015, EN62841-3-1:2014+AC:2015 + A11:2017.

These products also comply with Directive 2014/30/EU and 2011/65/EU. For more information, please contact DEWALT at the following address or refer to the back of the manual.

The undersigned is responsible for compilation of the technical file and makes this declaration on behalf of DEWALT.

Markus Rompel
Vice-President Engineering, PTE-Europe
DEWALT, Richard-Klinger-Straße 11,
D-65510, Idstein, Germany
09.08.2019



WARNING: To reduce the risk of injury, read the instruction manual.

Definitions: Safety Guidelines

The definitions below describe the level of severity for each signal word. Please read the manual and pay attention to these symbols.



DANGER: Indicates an imminently hazardous situation which, if not avoided, **will** result in **death or serious injury**.



WARNING: Indicates a potentially hazardous situation which, if not avoided, **could** result in **death or serious injury**.



CAUTION: Indicates a potentially hazardous situation which, if not avoided, **may** result in **minor or moderate injury**.

NOTICE: Indicates a practice **not related to personal injury** which, if not avoided, **may** result in **property damage**.



Denotes risk of electric shock.



Denotes risk of fire.

GENERAL POWER TOOL SAFETY WARNINGS



WARNING: Read all safety warnings, instructions, illustrations and specifications provided with this power tool. Failure to follow all instructions listed below may result in electric shock, fire and/or serious injury.

SAVE ALL WARNINGS AND INSTRUCTIONS FOR FUTURE REFERENCE

The term "power tool" in the warnings refers to your mains-operated (corded) power tool or battery-operated (cordless) power tool.

1) Work Area Safety

- Keep work area clean and well lit.** Cluttered or dark areas invite accidents.
- Do not operate power tools in explosive atmospheres, such as in the presence of flammable liquids, gases or dust.** Power tools create sparks which may ignite the dust or fumes.
- Keep children and bystanders away while operating a power tool.** Distractions can cause you to lose control.

2) Electrical Safety

- Power tool plugs must match the outlet. Never modify the plug in any way. Do not use any adapter plugs with earthed (grounded) power tools.** Unmodified plugs and matching outlets will reduce risk of electric shock.
- Avoid body contact with earthed or grounded surfaces, such as pipes, radiators, ranges and refrigerators.** There is an increased risk of electric shock if your body is earthed or grounded.
- Do not expose power tools to rain or wet conditions.** Water entering a power tool will increase the risk of electric shock.
- Do not abuse the cord. Never use the cord for carrying, pulling or unplugging the power tool. Keep cord away from heat, oil, sharp edges or moving parts.** Damaged or entangled cords increase the risk of electric shock.
- When operating a power tool outdoors, use an extension cord suitable for outdoor use.** Use of a cord suitable for outdoor use reduces the risk of electric shock.
- If operating a power tool in a damp location is unavoidable, use a residual current device (RCD) protected supply.** Use of an RCD reduces the risk of electric shock.

3) Personal Safety

- Stay alert, watch what you are doing and use common sense when operating a power tool. Do not use a power tool while you are tired or under the influence of drugs, alcohol or medication.** A moment of inattention while operating power tools may result in serious personal injury.

- Use personal protective equipment. Always wear eye protection.** Protective equipment such as a dust mask, non-skid safety shoes, hard hat or hearing protection used for appropriate conditions will reduce personal injuries.
- Prevent unintentional starting. Ensure the switch is in the off-position before connecting to power source and/or battery pack, picking up or carrying the tool.** Carrying power tools with your finger on the switch or energising power tools that have the switch on invites accidents.
- Remove any adjusting key or wrench before turning the power tool on.** A wrench or a key left attached to a rotating part of the power tool may result in personal injury.
- Do not overreach. Keep proper footing and balance at all times.** This enables better control of the power tool in unexpected situations.
- Dress properly. Do not wear loose clothing or jewellery. Keep your hair and clothing away from moving parts.** Loose clothes, jewellery or long hair can be caught in moving parts.
- If devices are provided for the connection of dust extraction and collection facilities, ensure these are connected and properly used.** Use of dust collection can reduce dust-related hazards.
- Do not let familiarity gained from frequent use of tools allow you to become complacent and ignore tool safety principles.** A careless action can cause severe injury within a fraction of a second.

4) Power Tool Use and Care

- Do not force the power tool. Use the correct power tool for your application.** The correct power tool will do the job better and safer at the rate for which it was designed.
- Do not use the power tool if the switch does not turn it on and off.** Any power tool that cannot be controlled with the switch is dangerous and must be repaired.
- Disconnect the plug from the power source and/or remove the battery pack, if detachable, from the power tool before making any adjustments, changing accessories, or storing power tools.** Such preventive safety measures reduce the risk of starting the power tool accidentally.
- Store idle power tools out of the reach of children and do not allow persons unfamiliar with the power tool or these instructions to operate the power tool.** Power tools are dangerous in the hands of untrained users.
- Maintain power tools and accessories. Check for misalignment or binding of moving parts, breakage of parts and any other condition that may affect the power tool's operation. If damaged, have the power tool repaired before use.** Many accidents are caused by poorly maintained power tools.
- Keep cutting tools sharp and clean.** Properly maintained cutting tools with sharp cutting edges are less likely to bind and are easier to control.


- g) **Use the power tool, accessories and tool bits etc. in accordance with these instructions, taking into account the working conditions and the work to be performed.** Use of the power tool for operations different from those intended could result in a hazardous situation.
- h) **Keep handles and grasping surfaces dry, clean and free from oil and grease.** Slippery handles and grasping surfaces do not allow for safe handling and control of the tool in unexpected situations.
- 5) Service**
- a) **Have your power tool serviced by a qualified repair person using only identical replacement parts.** This will ensure that the safety of the power tool is maintained.

Safety Instructions for Table Saws

1) Guarding Related Warnings

- a) **Keep guards in place. Guards must be in working order and be properly mounted.** A guard that is loose, damaged, or is not functioning correctly must be repaired or replaced.
- b) **Always use saw blade guard, riving knife for every through-cutting operation.** For through-cutting operations where the saw blade cuts completely through the thickness of the workpiece, the guard and other safety devices help reduce the risk of injury.
- c) **Immediately reattach the guarding system after completing an operation (such as rabbeting or resawing cuts) which requires removal of the guard or riving knife.** The guard and riving knife help to reduce the risk of injury.
- d) **Make sure the saw blade is not contacting the guard, riving knife or the workpiece before the switch is turned on.** Inadvertent contact of these items with the saw blade could cause a hazardous condition.
- e) **Adjust the riving knife as described in this instruction manual.** Incorrect spacing, positioning and alignment can make the riving knife ineffective in reducing the likelihood of kickback.
- f) **For the riving knife to work, they must be engaged in the workpiece.** The riving knife is ineffective when cutting workpieces that are too short to be engaged with the riving knife. Under these conditions a kickback cannot be prevented by the riving knife.
- g) **Use the appropriate saw blade for the riving knife.** For the riving knife to function properly, the saw blade diameter must match the appropriate riving knife and the body of the saw blade must be thinner than the thickness of the riving knife and the cutting width of the saw blade must be wider than the thickness of the riving knife.
- b) **Feed the workpiece into the saw blade only against the direction of rotation.** Feeding the workpiece in the same direction that the saw blade is rotating above the table may result in the workpiece, and your hand, being pulled into the saw blade.
- c) **Never use the mitre gauge to feed the workpiece when ripping and do not use the rip fence as a length stop when cross cutting with the mitre gauge.** Guiding the workpiece with the rip fence and the mitre gauge at the same time increases the likelihood of saw blade binding and kickback.
- d) **When ripping, always apply the workpiece feeding force between the fence and the saw blade. Use a push stick when the distance between the fence and the saw blade is less than 150 mm, and use a push block when this distance is less than 50 mm.** "Work helping" devices will keep your hand at a safe distance from the saw blade.
- e) **Use only the push stick provided by the manufacturer or constructed in accordance with the instructions.** This push stick provides sufficient distance of the hand from the saw blade.
- f) **Never use a damaged or cut push stick.** A damaged push stick may break causing your hand to slip into the saw blade.
- g) **Do not perform any operation "freehand." Always use either the rip fence or the mitre gauge to position and guide the workpiece.** "Freehand" means using your hands to support or guide the workpiece, in lieu of a rip fence or mitre gauge. Freehand sawing leads to misalignment, binding and kickback.
- h) **Never reach around or over a rotating saw blade.** Reaching for a workpiece may lead to accidental contact with the moving saw blade.
- i) **Provide auxiliary workpiece support to the rear and/or sides of the saw table for long and/or wide workpieces to keep them level.** A long and/or wide workpiece has a tendency to pivot on the table's edge, causing loss of control, saw blade binding and kickback.
- j) **Feed workpiece at an even pace. Do not bend or twist the workpiece. If jamming occurs, turn the tool off immediately, unplug the tool then clear the jam.** Jamming the saw blade by the workpiece can cause kickback or stall the motor.
- k) **Do not remove pieces of cut-off material while the saw is running.** The material may become trapped between the fence or inside the saw blade guard and the saw blade pulling your fingers into the saw blade. Turn the saw off and wait until the saw blade stops before removing material.

2) Cutting Procedures Warnings

- a)  **DANGER: Never place your fingers or hands in the vicinity or in line with the saw blade.** A moment of inattention or a slip could direct your hand towards the saw blade and result in serious personal injury.
- l) **Use an auxiliary fence in contact with the table top when ripping workpieces less than 2 mm thick.** A thin workpiece may wedge under the rip fence and create a kickback.

3) Kickback Causes and Related Warnings

Kickback is a sudden reaction of the workpiece due to a pinched, jammed saw blade or misaligned line of cut in the workpiece with respect to the saw blade or when a part of the workpiece binds between the saw blade and the rip fence or other fixed object.

Most frequently during kickback, the workpiece is lifted from the table by the rear portion of the saw blade and is propelled towards the operator. Kickback is the result of saw misuse and/or incorrect operating procedures or conditions and can be avoided by taking proper precautions as given below.

- a) **Never stand directly in line with the saw blade.**
Always position your body on the same side of the saw blade as the fence. Kickback may propel the workpiece at high velocity towards anyone standing in front and in line with the saw blade.
- b) **Never reach over or in back of the saw blade to pull or to support the workpiece.** Accidental contact with the saw blade may occur or kickback may drag your fingers into the saw blade.
- c) **Never hold and press the workpiece that is being cut off against the rotating saw blade.** Pressing the workpiece being cut off against the saw blade will create a binding condition and kickback.
- d) **Align the fence to be parallel with the saw blade.** A misaligned fence will pinch the workpiece against the saw blade and create kickback.
- e) **Use a featherboard to guide the workpiece against the table and fence when making non-through cuts such as rabbeting or resawing cuts.** A featherboard helps to control the workpiece in the event of a kickback.
- f) **Use extra caution when making a cut into blind areas of assembled workpieces.** The protruding saw blade may cut objects that can cause kickback.
- g) **Support large panels to minimise the risk of saw blade pinching and kickback.** Large panels tend to sag under their own weight. Support(s) must be placed under all portions of the panel overhanging the table top.
- h) **Use extra caution when cutting a workpiece that is twisted, knotted, warped or does not have a straight edge to guide it with a mitre gauge or along the fence.** A warped, knotted, or twisted workpiece is unstable and causes misalignment of the kerf with the saw blade, binding and kickback.
- i) **Never cut more than one workpiece, stacked vertically or horizontally.** The saw blade could pick up one or more pieces and cause kickback.
- j) **When restarting the saw with the saw blade in the workpiece, centre the saw blade in the kerf so that the saw teeth are not engaged in the material.** If the saw blade binds, it may lift up the workpiece and cause kickback when the saw is restarted.
- k) **Keep saw blades clean, sharp, and with sufficient set. Never use warped saw blades or saw blades with cracked or broken teeth.** Sharp and properly set saw blades minimise binding, stalling and kickback.

4) Table Saw Operating Procedure Warnings

- a) **Turn off the table saw and disconnect the power cord when removing the table insert, changing the saw blade or making adjustments to the riving knife, or saw blade guard, and when the machine is left unattended.** Precautionary measures will avoid accidents.
- b) **Never leave the table saw running unattended. Turn it off and don't leave the tool until it comes to a complete stop.** An unattended running saw is an uncontrolled hazard.
- c) **Locate the table saw in a well-lit and level area where you can maintain good footing and balance. It should be installed in an area that provides enough room to easily handle the size of your workpiece.** Cramped, dark areas, and uneven slippery floors invite accidents.
- d) **Frequently clean and remove sawdust from under the saw table and/or the dust collection device.** Accumulated sawdust is combustible and may self-ignite.
- e) **The table saw must be secured.** A table saw that is not properly secured may move or tip over.
- f) **Remove tools, wood scraps, etc. from the table before the table saw is turned on.** Distraction or a potential jam can be dangerous.
- g) **Always use saw blades with correct size and shape (diamond versus round) of arbour holes.** Saw blades that do not match the mounting hardware of the saw will run off-centre, causing loss of control.
- h) **Never use damaged or incorrect saw blade mounting means such as flanges, saw blade washers, bolts or nuts.** These mounting means were specially designed for your saw, for safe operation and optimum performance.
- i) **Never stand on the table saw, do not use it as a stepping stool.** Serious injury could occur if the tool is tipped or if the cutting tool is accidentally contacted.
- j) **Make sure that the saw blade is installed to rotate in the proper direction. Do not use grinding wheels, wire brushes, or abrasive wheels on a table saw.** Improper saw blade installation or use of accessories not recommended may cause serious injury.

Additional Safety Rules for Saw Benches



WARNING: Cutting plastics, sap coated wood, and other materials may cause melted material to accumulate on the blade tips and the body of the saw blade, increasing the risk of blade overheating and binding while cutting.

- Make sure that the blade rotates in the correct direction and that the teeth are pointing to the front of the saw bench.
- Be sure all clamp handles are tight before starting any operation.
- Be sure all blade and flanges are clean and the larger face of the clamp washer is against the blade. Tighten the arbor nut securely.

- *Make sure that the riving knife is adjusted to the correct distance from the blade - maximum 8 mm.*
- *Never operate the saw without the upper and lower guards in place.*
- *Do not apply lubricants to the blade when it is running.*
- *Always keep the push stick in its store place when not in use.*
- *Do not use the guard for handling or transportation.*
- *Do not exert side pressure on the saw blade.*
- *Never cut light alloy. The machine is not designed for this application.*
- *Do not use abrasive disc or diamond cutting wheels.*
- *Rabbeting, slotting or grooving is not allowed.*
- *In case of machine failure, immediately switch the machine off and remove from the power source. Report the failure and mark the machine in suitable form which prevents that other persons use the defective machine.*
- *When the saw blade is blocked due to abnormal feed force during cutting, ALWAYS switch the machine off and remove from the power source. Remove the workpiece and ensure that the saw blade runs free. Turn the machine on and start a new cutting operation with reduced feed force.*
- *NEVER attempt to cut a stack of loose pieces of material which could cause loss of control or kickback. Support all materials securely.*
- *Take care that the blade guard is properly positioned. When sawing, it must always face against the workpiece.*

Saw Blades

- *Do not use saw blades that do not conform to the dimensions stated in the **Technical Data**. Do not use any spacers to make a blade fit onto the spindle. Use only the blades specified in this manual, complying with EN847-1, if intended for wood and similar materials.*
- *The maximum speed of the saw blade shall always be greater than or at least equal to the speed marked on the rating plate of the tool.*
- *The saw blade diameter must be in accordance with the markings on rating plate of the tool.*
- *Consider applying specially designed noise-reduction blades.*
- *Do not use high steel (HS) saw blades.*
- *Do not use cracked or damaged saw blades.*
- *Ensure that the chosen saw blade is suitable for the material to be cut.*
- *Always wear gloves for handling saw blades and rough material. Saw blades should be carried in a holder wherever practicable.*

Residual risks

The following risks are inherent to the use of saws:

- *injuries caused by touching the rotating parts*

In spite of the application of the relevant safety regulations and the implementation of safety devices, certain residual risks cannot be avoided. These are:

- *Impairment of hearing.*

- *Risk of accidents caused by the uncovered parts of the rotating saw blade.*
- *Risk of injury when changing the saw blade with unprotected hands.*
- *Risk of squeezing fingers when opening the guards.*
- *Health hazards caused by breathing dust developed when sawing wood, especially oak, beech and MDF.*

The following factors are of influence to noise production:

- *the material to be cut*
- *the type of saw blade*
- *the feed force*
- *machine maintenance*

The following factors are of influence to dust exposure:

- *worn saw blade*
- *dust extractor with air velocity less than 20 m/s*
- *workpiece not exactly guided*

Electrical Safety

The electric motor has been designed for one voltage only. Always check that the power supply corresponds to the voltage on the rating plate.



Your DEWALT tool is double insulated in accordance with EN62841; therefore no earth wire is required.

If the supply cord is damaged, it must be replaced only by DEWALT or an authorised service organisation.

NOTE: This device is intended for the connection to a power supply system with maximum permissible system impedance Z_{max} of 0.25 Ω at the interface point (power service box) of user's supply. The user has to ensure that this device is connected only to a power system which fulfills the requirement above. If necessary, the user can ask the public power supply company for the system impedance at the interface point.

Mains Plug Replacement (U.K. & Ireland Only)

If a new mains plug needs to be fitted:

- *Safely dispose of the old plug.*
- *Connect the brown lead to the live terminal in the plug.*
- *Connect the blue lead to the neutral terminal.*



WARNING: No connection is to be made to the earth terminal.

Follow the fitting instructions supplied with good quality plugs. Recommended fuse: 13 A.

Using an Extension Cable

If an extension cable is required, use an approved 3-core extension cable suitable for the power input of this tool (see **Technical Data**). The minimum conductor size is 1.5 mm²; the maximum length is 30 m.

When using a cable reel, always unwind the cable completely.

Package Contents

The package contains:

- 1 Partly assembled machine
- 1 Rip fence assembly
- 1 Mitre fence
- 1 Saw blade
- 1 Upper blade guard assembly
- 1 Throat plate
- 2 Blade wrenches
- 1 Dust extraction adapter
- 1 Instruction manual
- Check for damage to the tool, parts or accessories which may have occurred during transport.
- Take the time to thoroughly read and understand this manual prior to operation.

Markings on Tool

The following pictograms are shown on the tool:



Read instruction manual before use.



Wear ear protection.



Wear eye protection.



Wear face mask.



Keep hands away from cutting area and the blade.



Carrying point.

Date Code Position (Fig. A)

The date code **25**, which also includes the year of manufacture, is printed into the housing.

Example:

2019 XX XX
Year of Manufacture

Description (Fig. A, C)



WARNING: Never modify the power tool or any part of it. Damage or personal injury could result.

- | | |
|---------------------------------|-------------------------------|
| 1 Table | 9 Mounting holes |
| 2 Blade | 10 Mitre gauge |
| 3 Rip scale indicator | 11 Blade guard assembly |
| 4 Fine adjust knob | 12 Carry handle |
| 5 Rail lock lever | 13 Dust collection port |
| 6 Blade height adjustment wheel | 14 Guard dust collection port |
| 7 Bevel lock lever | 15 Throat plate |
| 8 ON/OFF assembly | 16 Rip fence |
| | 17 Rip fence latch |

- | | |
|--|---|
| 18 Narrow ripping fence/ support extension | 21 Riving knife (non-through sawing) (Fig. C) |
| 19 Blade wrenches (stored position) | 22 Mitre gauge storage |
| 20 Push stick (stored position) | 23 Cable holder |
| | 24 DE7400 brackets mounting holes |

Intended Use

Your table saw has been designed for professional ripping, cross-cutting, mitring and bevelling with various materials as wood analogous materials and plastic.

DO NOT use under wet conditions or in the presence of flammable liquids or gases.

This table saw is a professional power tool.

DO NOT let children come into contact with the tool.

Supervision is required when inexperienced operators use this tool.

- **Young children and the infirm.** This appliance is not intended for use by young children or infirm persons without supervision.
- This product is not intended for use by persons (including children) suffering from diminished physical, sensory or mental abilities; lack of experience, knowledge or skills unless they are supervised by a person responsible for their safety. Children should never be left alone with this product.

ASSEMBLY AND ADJUSTMENTS



WARNING: To reduce the risk of serious personal injury, turn tool off and disconnect tool from power source before making any adjustments or removing/ installing attachments or accessories. An accidental start-up can cause injury.

Unpacking

- Remove the saw from the packaging material carefully.
- The machine is fully assembled except for the rip fence, mitre gauge, dust adapter and blade guard assembly.
- Finalise the assembly following the instructions as described below.

Mounting the Saw Blade (Fig. A, B)



WARNING: To reduce the risk of serious personal injury, turn tool off and disconnect tool from power source before making any adjustments or removing/ installing attachments or accessories. An accidental start-up can cause injury.



WARNING: To reduce the risk of injury, wear gloves when handling the saw blade.



WARNING: The teeth of a new blade are very sharp and can be dangerous.




WARNING: The saw blade **MUST** be replaced as described in this section. **ONLY** use saw blades as specified under **Technical Data**. We suggest DT99565. **NEVER** fit other saw blades.

NOTE: This tool has blade installed from factory.

1. Raise the saw blade arbour to its maximum height by turning the blade height adjustment wheel **6** clockwise.
2. Remove the throat plate **15**. Refer to **Mounting the Throat Plate**.
3. Using wrenches **19**, loosen and remove the arbour nut **26** and clamp washer **27** from the saw arbour by turning anti-clockwise.
4. Place the saw blade on to the arbour **28** making sure the teeth of the blade **2** point down at the front of the table. Assemble the washers and arbour nut to the spindle and tighten arbour nut **26** as far as possible by hand, making sure that the saw blade is against the inner washer and the outer clamp washer **27** is against the blade. Ensure the largest diameter of the flange is against the blade. Ensure the spindle and washers are free from dust and debris.
5. To keep the spindle from rotating when tightening the arbour nut, use the open end of the blade wrench **19** to secure the spindle.
6. Using the closed end of the blade wrench, tighten the arbour nut **26** firmly by turning it clockwise.
7. Replace the throat plate.


 **WARNING:** Always check the rip fence pointer and the blade guard assembly after having changed the blade.


Mounting/Removing the Blade Guard Assembly/Riving Knife (Fig. A, C)

 **WARNING:** Use the guard assembly for all through cutting.

1. Raise the saw blade arbour to its maximum height.
2. Loosen the riving knife lock knob **29** (minimum of three turns).
3. To disengage riving knife lock pin, pull lock knob as indicated by the black arrows on the knob.
4. While pulling the lock knob, lift the riving knife out of the clamp. Then slide the blade guard assembly **11** into the clamp until it bottoms out.
NOTE: Do not install both blade guard assembly and riving knife into the clamp at the same time.
5. Release the lock knob to engage the lock pin. Give the blade guard a slight pull upwards to ensure pin is engaged.
6. Tighten the riving knife lock knob.

NOTE: Follow the same procedure for the riving knife.

 **WARNING:** Before connecting the table saw to the power source or operating the saw, always inspect the blade guard assembly for proper alignment and clearance with saw blade. Check alignment after each change of bevel angle.

 **WARNING:** To reduce the risk of serious personal injury, DO NOT operate saw if blade assembly is not securely clamped in place.


When properly aligned, the riving knife **21** will be in line with the blade at both table top level, and at the top of the blade. Using a straight edge, ensure that the blade **2** is aligned with the riving knife **21**. With power disconnected, operate the blade tilt and height adjustments through the extremes of

travel and insure the blade guard assembly clears the blade in all operations.

 **WARNING:** Correct mounting and alignment of the blade guard assembly is essential to safe operation!

Mounting the Throat Plate (Fig. D)

1. Align the throat plate **15** as shown in Figure D, and insert the tabs on the back of the throat plate into the holes on the back of the table opening.
2. Turn the locking screw **30** with a screwdriver clockwise 90° to lock the table insert in place.
3. The throat plate includes four adjustment screws which raise or lower the throat plate. When properly adjusted, the front of the throat plate should be flush or slightly below the surface of the table top and secured in place. The rear of the throat plate should be flush or slightly above the table top.

 **WARNING:** Never use the machine without the throat plate. Immediately replace the throatplate when worn or damaged.

Removing the Throat Plate

1. Remove the throat plate **15** by turning the locking screw **30** with a screwdriver 90° anti-clockwise
2. Pull throat plate up and forward to expose the inside of the saw. DO NOT operate the saw without the throat plate.

Fitting the Rip Fence (Fig. E)

The rip fence can be installed in two positions on the right (Position 1 **47** for 0 mm to 510 mm ripping, and Position 2 **47** for 100 mm to 610 mm ripping.) and one position on the left of your table saw.

1. Unlock the rip fence latches **17**.
2. Holding the fence at an angle, align the locator pins **47** (front and back) on the fence rails with the fence head slots **31**.
3. Slide the head slots onto the pins and rotate the fence down until it rests on the rails.
4. Lock the fence in place by closing the front and back latches **17** onto the rails.

Fixing to Workbench (Fig. A)

- The machine frame between the feet on each side is provided with two holes **9** which allow fixing on a workbench. Use the holes diagonally.
- To improve the handling, fix the machine onto a piece of plywood a minimum of 15 mm thick.

When in use, the plywood sheet can be clamped to the workbench. This allows easier transportation of the machine, by releasing the clamps.

Holes **24** are also provided under the saw feet for mounting to DE7400 brackets.

ADJUSTMENTS

Blade Adjustment

Blade Alignment (Parallel to Mitre Slot) (Fig. F)



WARNING: *Cut Hazard. Check the blade at 0° and 45° to make sure blade does not hit the throat plate, causing personal injury.*

If the blade appears to be out of alignment with the mitre slot on the table top, it will require calibration for alignment. To realign the blade and mitre slot, use the following procedure:



WARNING: *To reduce the risk of serious personal injury, turn tool off and disconnect tool from power source before making any adjustments or removing/installing attachments or accessories. An accidental start-up can cause injury.*

1. Using a 5 mm hex wrench, loosen rear pivot bracket fasteners **32**, located on the underside of the table, just enough to allow the bracket to move side-to-side.
2. Adjust the bracket until the blade is parallel to the mitre gauge slot.
3. Tighten the rear pivot bracket fasteners to 12.5–13.6 Nm.

Blade Height Adjustment (Fig. A)

The blade can be raised and lowered by turning the blade height adjustment wheel **6**.

Make sure the top three teeth of the blade are just breaking through the upper surface of the workpiece when sawing. This will ensure that the maximum number of teeth are removing material at any given time, thus giving optimum performance.

Aligning Guard Assembly to Blade (Fig. G)

1. Remove the throat plate. Refer to **Removing Throat Plate** under **Assembly and Adjustments**.
2. Raise the blade to full depth of cut and 0° bevel angle.
3. Locate the three small set screws **33**. These screws will be used to adjust the riving knife position.
4. Lay a straight edge on the table against two blade tips. The riving knife should not touch the straight edge.
5. If adjustment is needed, loosen the two larger lock screws **34**.
6. Use the small set screws **33** to adjust the riving knife position. Lay the straight edge on the opposite side of the blade and repeat adjustments as needed.
7. Lightly tighten the two larger lock screws **34**.
8. Place a square flat against the riving knife to verify the riving knife is vertical and in-line with the blade.
9. If needed, use the set screws to bring the riving knife vertical with the square.
10. Repeat step 4 to verify position of riving knife. Repeat 5 through 9 if necessary.
11. Fully tighten the two larger lock screws **34**.

Parallel Adjustment (Fig. A, H, I)

For optimum performance, the blade must be parallel to the rip fence. This adjustment has been made at the factory. To re-adjust:

Position 1 Fence Alignment

1. Install the fence in position 1 and unlock the rail lock lever **5**. Locate both locator pins **47** that support the fence on the front and rear rails.
2. Loosen the rear locator pin screw and adjust the alignment of the fence in the groove until the fence face is parallel to the blade. Make sure you measure from the fence face to the front and back of the blade to ensure alignment.
3. Tighten the locator screw and repeat on the left side of the blade.
4. Check rip scale pointer adjustment (Fig. I).

Position 2 Fence Alignment (Fig. H)

1. To align position 2 fence locator pins **47**, ensure position 1 pins have been aligned, refer to **Position 1 Fence Alignment**.
2. Loosen the position 2 pins, then using the holes on the blade wrench **19** as a guide for positioning, align the pins (Fig. H).
3. Tighten the locator pins (front and rear).

Adjusting the Rip Scale (Fig. H, I)

1. Unlock the rail lock lever **5**.
2. Set the blade at 0° bevel and move the fence in until it touches the blade.
3. Lock the rail lock lever.
4. Loosen the rip scale indicator screws **35** and set the rip scale indicator to read zero **(0)**. Retighten the rip scale indicator screws. The yellow rip scale (top) reads correctly only when the fence is mounted on the right side of the blade and is in position 1 **47** (for 0 mm to 510 mm ripping) not the 610 mm rip position. The white scale (bottom) reads correctly only when the fence is mounted on the right side of the blade and in position 2 **47** (for 100 mm to 610 mm ripping).

The rip scale reads correctly only when the fence is mounted to the right of the blade.

Rail Lock Adjustment (Fig. I, J)

The rail lock has been factory-set. If you need to re-adjust, proceed as follows:

1. Lock the rail lock lever **5**.
2. On the underside of the saw, loosen the jam nut **36**.
3. Tighten the hex rod **37** until the spring on the locking system is compressed creating the desired tension on the rail lock lever. Retighten the jam nut against the hex rod.
4. Flip the saw over and check that the fence does not move when the lock lever is engaged. If the fence is still loose, tighten the spring further.

Bevel Stop And Pointer Adjustment (Fig. K)

1. Raise the blade fully by rotating the blade height adjustment wheel **6** clockwise until it stops.
2. Unlock the bevel lock lever **7** by pushing it up and to the right. Loosen the bevel stop screw **38**.
3. Place a square flat against the table top and against the blade between teeth. Ensure the bevel lock lever is in its unlocked, or up, position.
4. Using the bevel lock lever, adjust the bevel angle until it is flat against the square.
5. Tighten the bevel lock lever by pushing it down.
6. Turn the bevel stop screw **38** to rotate the cam until it firmly contacts the bearing block. Tighten the bevel stop screw.
7. Check the bevel angle scale. If the pointer does not read 0°, loosen pointer screw **39** and move the pointer so it reads correctly. Retighten the pointer screw.
8. Repeat at 45°, but do not adjust pointer.

Mitre Gauge Adjustment (Fig. A)

To adjust mitre gauge **10** loosen knob, set to desired angle and tighten knob.

Body and Hand Position

Proper positioning of your body and hands when operating the table saw will make cutting easier, more accurate and safer.



WARNING:

- Never place your hands near the cutting area.
- Place your hands no closer than 150 mm from the blade.
- Do not cross your hands.
- Keep both feet firmly on the floor and maintain proper balance.

Prior to Operation



WARNING:

- Install the appropriate saw blade. Do not use excessively worn blades. The maximum rotation speed of the tool must not exceed that of the saw blade.
- Do not attempt to cut excessively small pieces.
- Allow the blade to cut freely. Do not force.
- Allow the motor to reach full speed before cutting.

OPERATION

Instructions for Use



WARNING: Always observe the safety instructions and applicable regulations.



WARNING: To reduce the risk of serious personal injury, turn tool off and disconnect tool from power source before making any adjustments or removing/installing attachments or accessories. An accidental start-up can cause injury.

To reduce effects of increased vibration, make sure the environment is not too cold, the machine and accessory are well maintained and the workpiece size is suitable for this machine.



WARNING:

- Always observe the safety instructions and applicable regulations.
- Ensure the machine is placed to satisfy ergonomic conditions in terms of table height and stability. The machine site shall be chosen so that the operator has a good overview and enough free surrounding space around the machine that allow handling of the workpiece without any restrictions.
- Install the appropriate saw blade. Do not use excessively worn blades. The maximum rotation speed of the tool must not exceed that of the saw blade.
- Do not attempt to cut excessively small pieces.
- Allow the blade to cut freely. Do not force.
- Allow the motor to reach full speed before cutting.
- Make sure all locking knobs and clamp handles are tight.
- Never place either hand in the blade area when the saw is connected to the electrical power source.
- Never use your saw for freehand cuts!
- Do not saw warped, bowed or cupped workpieces. There must be at least one straight, smooth side to go against the rip fence or mitre fence.
- Always support long workpieces to prevent kickback.
- Do not remove any cut-offs from the blade area while the blade is running.

Switching On and Off (Fig. A, L)

The on/off assembly **8** of your saw bench offers multiple advantages:

- No-volt release function: should the power be shut off for any reason, the switch has to be deliberately reactivated.
- To switch the machine on, press the green start button **40**.
- To switch the machine off, press the red stop button **41**.

Lock Off Feature Instructions

A cover above the switch folds down for insertion of a padlock to lock the saw off. A padlock with a maximum diameter of 6.35 mm and minimum clearance of 76.2 mm is recommended.

Rip Fence Operation (Fig. A, M)

Rail Lock Lever

The rail lock lever **5** locks the fence in place preventing movement during cutting. To lock the rail lever, push it down and toward the rear of the saw. To unlock, pull it up and toward the front of the saw.

NOTE: When ripping, always lock the rail lock lever.

Work Support Extension /Narrow Ripping Fence

Your table saw is equipped with a work support extension to support work that extends beyond the saw table.

To use the narrow ripping fence in the work support position, rotate it from its stored position as shown in Figure M, and slide the pins into the lower sets of slots **42** on both ends of the fence.

To use the narrow ripping fence in the narrow ripping position, snap the pins into the upper sets of slots **43** on both ends of the fence. This feature will allow 51 mm of extra clearance to the blade. Refer to Figure M.

NOTE: Retract the work support extension or adjust to narrow rip fence position whenever working over the table.

Fine Adjustment Knob

The fine adjustment knob **4** allows smaller adjustments when setting the fence. Before adjusting, be sure the rail lock lever is in its up or unlocked, position.

Rip Scale Pointer

The rip scale pointer will need to be adjusted for proper performance of the rip fence if the user switches between thick and thin kerf blades. The rip scale pointer only reads correctly for position 1 (0 mm to 510 mm), however for position 1 with narrow rip fence in use add 52 mm. See **Adjusting the Rip Scale** under **Assembly and Adjustments**.

Basic Saw Cuts

Ripping (Fig. A, N)



WARNING: Sharp edges.

1. Set the blade to 0°.
2. Lock the rip fence latch **17** (Fig. A).
3. Raise the blade until it is about 3 mm higher than the top of the workpiece.
4. Adjust the position of the fence, refer to **Rip Fence Operation**.
5. Hold the workpiece flat on the table and against the fence. Keep the workpiece away from the blade.
6. Keep both hands away from the path of the blade.
7. Switch the machine on and allow the blade to reach full speed.
8. Slowly feed the workpiece underneath the guard, keeping it firmly pressed against the rip fence. Allow the teeth to cut, and do not force the workpiece through the blade. The blade speed should be kept constant.
9. Always use a push stick **20** when working close to the blade (Fig. N).
10. After completing the cut, switch the machine off, allow the blade to stop and remove the workpiece.



WARNING:

- Never push or hold the "free" or cut-off-side of the workpiece.
- Do not cut excessively small workpieces.
- Always use a push stick when ripping small workpieces.

Bevel Cuts (Fig. A)



WARNING: Avoid bevel ripping on the beveling (left) side of the blade.

1. Set the required bevel angle, by rotating lever **7** by pushing it up and to the right.
2. Set to desired angle, rotate lever by pushing down and to the left to lock in place.
3. Proceed as for ripping.

Cross-Cutting and Bevel Crosscutting

1. Remove the rip fence and install the mitre gauge in the slot.
2. Lock the mitre gauge at 0°.
3. Proceed as for ripping.

Mitre Cuts (Fig. A)

1. Set the mitre gauge **10** to the required angle.

NOTE: Always hold the workpiece tightly against the face of the mitre gauge.

2. Proceed as for ripping.

Compound Mitre

This cut is a combination of a mitre and a bevel cut. Set the bevel to the angle required and proceed as for a cross-cut mitre.

Support for Long Pieces

- Always support long pieces.
- Support long workpieces using any convenient means such as saw-horses or similar devices to keep the ends from dropping.



Dust Extraction (Fig. A)

Dust from materials such as lead-containing coatings and some wood types, can be harmful to one's health. Breathing-in the dust can cause allergic reactions and/or lead to respiratory infections of the user or bystanders. Certain dust, such as oak or beech dust, is considered carcinogenic, especially in connection with woodtreatment additives.

Observe the relevant regulations in your country for the materials to be worked.

The vacuum cleaner must be suitable for the material being worked.

When vacuuming dry dust that is especially detrimental to health or carcinogenic, use dust class M vacuum cleaner.

The machine is provided with a dust collection port **13** at the rear of the machine suitable for use with dust extraction equipment featuring 57/65 mm nozzles. Supplied with the machine is a reducer port for use of dust extraction nozzles of 34–40 mm diameter.

The blade guard assembly also features a dust collection port **14** for 35 mm nozzles and AirLock system.

- During all operations, connect a dust extraction device designed in accordance with the relevant regulations regarding dust emission.

- Ensure that the dust extraction hose in use is suitable for the application and material being cut. Ensure proper hose management.
- A splitter accessory is available to connect both ports to a single dust extractor.
- Be aware that man-made materials such as chipboard or MDF produce more dust particles during cutting than natural timber.

Storage (Fig. A, O)

1. Attach push stick **20** to fence.
2. Remove the blade guard assembly **11**. Refer to **Mounting/Removing the Blade Guard Assembly/Riving Knife**. Place blade guard assembly into holder as shown, then turn lock 1/4 turn to lock in place.
3. Slide closed end of blade wrenches **19** into catch then secure in place with wing nut.
4. Insert guide bar of mitre gauge **10** into pocket until it bottoms out.
5. Remove the non-through sawing riving knife **21**. Refer to **Mounting/Removing the Blade Guard Assembly/Riving Knife**. Place the non-through sawing riving knife into the holder as shown, then turn lock 1/4 turn to lock in place. The non-through sawing riving knife can also be installed and stored in its regular usage position.
6. To store fence **16**, snap work support in stored position. Remove fence from rails. Reattach fence upside down on left side of saw. Pivot fence lock latches to secure.
7. Turn the handwheel **6** in anticlockwise direction until the teeth of the saw blade are positioned below the saw table **1**.
8. Wind the mains cable around the cable holder **23**.

Transporting (Fig. A)

- Turn the tool off and disconnect from power supply.
- Wind the mains cable around the cable holder **23**.
- Remove all accessories that cannot be mounted firmly to the power tool.
- Retract the work support extension.
- Always carry the machine using the carry handles **12**.



WARNING: Always transport the machine with the upper blade guard fitted.

MAINTENANCE

Your power tool has been designed to operate over a long period of time with a minimum of maintenance. Continuous satisfactory operation depends upon proper tool care and regular cleaning.



WARNING: To reduce the risk of serious personal injury, turn tool off and disconnect tool from power source before making any adjustments or removing/installing attachments or accessories. An accidental start-up can cause injury.



Lubrication (Fig. P)

The motor and bearings require no additional lubrication. If raising and lowering the blade becomes difficult, clean and grease the height adjustment screws:

1. Unplug the saw from power source.
2. Turn the saw on its side.
3. Clean and lubricate the height adjustment screw threads **44** on the underside of this saw as shown in Figure P. Use general purpose grease.



Cleaning (Fig. A, Q)



WARNING: Blow dirt and dust out of the main housing with dry air as often as dirt is seen collecting in and around the air vents. Wear approved eye protection and approved dust mask when performing this procedure.



WARNING: Never use solvents or other harsh chemicals for cleaning the non-metallic parts of the tool. These chemicals may weaken the materials used in these parts. Use a cloth dampened only with water and mild soap. Never let any liquid get inside the tool; never immerse any part of the tool into a liquid.



WARNING: To reduce the risk of injury, regularly clean the table top and ventilation slots.



WARNING: To reduce the risk of injury, regularly clean the dust collection system.



WARNING: To reduce the risk of serious personal injury, do not use the saw without reattaching the dust access door.

The blade guard assembly **11** and throat plate must be placed in position before operating the saw.

Before use, carefully inspect upper and lower blade guards as well as the dust extraction tube to determine that it will operate properly. Ensure that chips, dust or work piece particles cannot lead to blockage of one of the functions.

In case workpiece fragments are jammed between saw blade and guards, disconnect the machine from the power supply and follow the instructions given in section **Mounting the Saw Blade**. Remove the jammed parts and reassemble the saw blade.

Keep the ventilation slots clear and regularly clean the housing with a soft cloth.

Regularly clean the dust collection system:

1. Turn the saw on its side, so the bottom, open part of the unit is accessible.
2. Open the dust access door **45** shown in Figure Q loosening the two screws **46** and detaching the door. Clean out the excess dust, then reattach the door securing it with the screws.

Optional Accessories



WARNING: *Since accessories, other than those offered by DEWALT, have not been tested with this product, use of such accessories with this tool could be hazardous.*

To reduce the risk of injury, only DEWALT recommended accessories should be used with this product.

Consult your dealer for further information on the appropriate accessories.

Replace blade guard when worn. Contact your local DEWALT service centre for details on a blade guard replacement.

SAW BLADES: ALWAYS USE 210 mm noise reduced saw blades with 30 mm arbour holes. Blade speed rating must be at least 6000 RPM. Never use a smaller diameter blade. It will not be guarded properly.

BLADE DESCRIPTIONS		
Application	Diameter	Teeth
Construction Saw Blades (<i>fast rip</i>)		
General Purpose	210 mm	24
Fine Crosscuts	210 mm	40
Woodworking Saw Blades (<i>provide smooth, clean cuts</i>)		
Fine crosscuts	210 mm	60

Protecting the Environment



Separate collection. Products marked with this symbol must not be disposed of with normal household waste.

Products contain materials that can be recovered or recycled reducing the demand for raw materials.

Please recycle electrical products according to local provisions.

Further information is available at www.2helpU.com.

НАСТОЛЬНАЯ ПИЛА

DWE7485

Поздравляем!

Вы приобрели инструмент DEWALT. Многолетний опыт, тщательная разработка изделий и инновации делают компанию DEWALT одним из самых надежных партнеров для пользователей профессионального электроинструмента.

Технические характеристики

		DWE7485
Напряжение	B _{пост. тока}	230
Тип		1
Номинальная мощность	Вт	1850
Частота вращения без нагрузки	об/мин.	5800
Диаметр диска	мм	210
Диаметр посадочного отверстия	мм	30
Ширина пропила	мм	1,8
Толщина диска	мм	1,3
Толщина расклинивающего ножа	мм	1,6
Глубина реза под углом 90°	мм	65
Глубина реза с наклоном под углом 45°	мм	45
Продольный рез (Справа от диска)	мм	622,3
Продольный рез (Слева от диска)	мм	318
Размер рабочей поверхности	мм	485 x 485
Общий размер	мм	605 x 605 x 330
Вес	кг	22

Значения шума и/или вибрации (сумма векторов в трех плоскостях) в соответствии с EN62841-1-2015:

L _{ра} (уровень звукового давления)	дБ(A)	90
L _{ва} (уровень акустической мощности)	дБ(A)	107
K (погрешность измерения акустической мощности)	дБ(A)	3

Значение шумовой эмиссии и/или эмиссии вибрации, указанное в данном справочном листке, было получено в соответствии со стандартным тестом, приведенным в EN62841, и может использоваться для сравнения инструментов. Кроме того, оно может использоваться для предварительной оценки воздействия вибрации.

⚠ ОСТОРОЖНО! Заявленное значение шумовой эмиссии и/или эмиссии вибрации относится к основным областям применения инструмента. Однако, если инструмент используется для различных целей, с различными дополнительными принадлежностями или при ненадлежащем уходе, то уровень шума и/или вибрации может измениться. Это может привести к значительному увеличению

уровня воздействия вибрации в течение всего рабочего периода.

При расчете приблизительного значения уровня воздействия шума и/или вибрации также необходимо учитывать время, когда инструмент выключен или то время, когда он работает на холостом ходу. Это может привести к значительному снижению уровня воздействия вибрации в течение всего рабочего периода. Определите дополнительные меры техники безопасности для защиты оператора от воздействия шума и/или вибрации, а именно: подержание инструмента в рабочем состоянии, создание комфортных условий работы (соответствующих вибрации), хорошая организация рабочего места.

Декларация о соответствии нормам ЕС

Директива по механическому оборудованию



Настольная пила

DWE7485

DEWALT заявляет, что продукция, описанная в **Технические характеристики**, соответствует: 2006/42/ЕС, EN62841-1:2015+AC:2015, EN62841-3-1:2014+AC:2015 + A11:2017.

Эти продукты также соответствуют Директиве 2014/30/EU и 2011/65/EU. За дополнительной информацией обращайтесь в компанию DEWALT по адресу, указанному ниже или приведенному на задней стороне обложки руководства.

Нижеподписавшийся несет ответственность за составление технической документации и составил данную декларацию по поручению компании DEWALT.

Маркус Ромпель
Вице-президент отдела по разработке и производству,
PTE-Europe
DEWALT, Richard-Klinger-Straße 11,
D-65510, Idstein, Германия
09.08.2019



ВНИМАНИЕ: Во избежание риска получения травм ознакомьтесь с инструкцией.

Обозначения: правила техники безопасности

Ниже описывается уровень опасности, обозначаемый каждым из предупреждений. Прочитайте руководство и обратите внимание на данные символы.



ОПАСНО: Обозначает опасную ситуацию, которая неизбежно приведет к **серьезной травме или смертельному исходу**, в случае несоблюдения соответствующих мер безопасности.



ВНИМАНИЕ: Указывает на потенциально опасную ситуацию, которая, в случае несоблюдения соответствующих мер безопасности, может привести к **серьезной травме или смертельному исходу**.



ПРЕДУПРЕЖДЕНИЕ: Указывает на потенциально опасную ситуацию, которая, в случае несоблюдения соответствующих мер безопасности, может стать причиной травм **средней или легкой степени тяжести**.

ПОЯСНЕНИЕ: Указывает на практики, использование которых не связано с получением травмы, но если ими пренебречь, могут привести к **порче имущества**.



Указывает на риск поражения электрическим током.



Указывает на риск возгорания.

ОБЩИЕ ПРАВИЛА ТЕХНИКИ БЕЗОПАСНОСТИ ПРИ ИСПОЛЬЗОВАНИИ ЭЛЕКТРОИНСТРУМЕНТОВ



ВНИМАНИЕ: Прочитайте и просмотрите все предупреждения, инструкции, иллюстрации и спецификации по данному электроинструменту. Несоблюдение всех приведенных ниже инструкций может стать причиной поражения электрическим током, возгорания и/или тяжелой травмы.

СОХРАНИТЕ ВСЕ ИНСТРУКЦИИ ДЛЯ ПОСЛЕДУЮЩЕГО ИСПОЛЬЗОВАНИЯ

Термин «электроинструмент» в предупреждениях относится к работающим от сети (проводным) электроинструментам или работающим от аккумуляторной батареи (беспроводным) электроинструментам.

1) Безопасность на рабочем месте

- Следите за чистотой и хорошим освещением на рабочем месте.** Захламленное или плохо освещенное рабочее место может стать причиной несчастного случая.
- Запрещается работать с электроинструментами во взрывоопасных местах, например, вблизи легковоспламеняющихся жидкостей, газов и пыли.** Искры, которые появляются при

работе электроинструментов могут привести к воспламенению пыли или паров.

- Следите за тем, чтобы во время работы с электроинструментом в зоне работы не было посторонних и детей.** Отвлекаясь от работы вы можете потерять контроль над инструментом.

2) Электробезопасность

- Штепсельная вилка электроинструмента должна соответствовать розетке. Никогда не меняйте вилку инструмента. Запрещается использовать переходники к вилкам для электроинструментов с заземлением.** Использование оригинальных штепсельных вилок, соответствующих типу сетевой розетки снижает риск поражения электрическим током.
- Избегайте контакта с заземленными поверхностями, такими как трубы, радиаторы и холодильники.** Если вы будете заземлены, увеличивается риск поражения электрическим током.
- Запрещается оставлять электроинструмент под дождем и в местах повышенной влажности.** При попадании воды в электроинструмент риск поражения электротоком возрастает.
- Берегите кабель от повреждений. Никогда не используйте кабель для переноски инструмента, не тяните за него, пытайтесь отключить инструмент от сети. Держите кабель подальше от источников тепла, масла, острых углов или движущихся предметов.** Поврежденный или запутанный кабель питания повышает риск поражения электрическим током.
- При работе с электроинструментом на открытом воздухе используйте удлинитель, подходящий для использования на улице.** Использование кабеля питания, предназначенного для использования вне помещения, снижает риск поражения электрическим током.
- Если использование электроинструмента в условиях повышенной влажности неизбежно, используйте устройства защитного отключения (УЗО) для защиты сети.** Использование УЗО сокращает риск поражения электрическим током.

3) Обеспечение индивидуальной безопасности

- Будьте внимательны, смотрите, что делаете и не забывайте о здравом смысле при работе с электроинструментом. Запрещается работать с электроинструментом в состоянии усталости, наркотического, алкогольного опьянения или под воздействием лекарственных препаратов.** Невнимательность при работе с электроинструментом может привести к серьезным телесным повреждениям.

- b) **Используйте индивидуальные средства защиты. Всегда используйте защитные очки.** Средства защиты, такие как пылезащитная маска, обувь с нескользящей подошвой, каска и защитные наушники, используемые при работе, уменьшают риск получения травм.
- c) **Примите меры для предотвращения случайного включения. Перед тем как подключить электроинструмент к сети и/или аккумуляторной батарее, взять инструмент или перенести его на другое место, убедитесь в том, что выключатель находится в положении «Выкл.».** Если при переноске электроинструмента он подключен к сети, и при этом ваш палец находится на выключателе, это может стать причиной несчастных случаев.
- d) **Уберите все регулировочные или гаечные ключи перед включением электроинструмента.** Ключ, оставленный на вращающейся части электроинструмента, может привести к травме.
- e) **Не пытайтесь дотянуться до слишком удаленных поверхностей. Обувь должна быть удобной, чтобы вы всегда могли сохранять равновесие.** Это позволит лучше контролировать электроинструмент в непредвиденных ситуациях.
- f) **Одевайтесь соответствующим образом. Избегайте носить свободную одежду и ювелирные украшения. Следите за тем, чтобы волосы и одежда не попадали под движущиеся детали.** Возможно наматывание свободной одежды, ювелирных изделий и длинных волос на движущиеся детали.
- g) **При наличии устройств для подключения оборудования для удаления и сбора пыли необходимо обеспечить правильность их подключения и эксплуатации.** Использование устройства для пылеудаления сокращает риски, связанные с пылью.
- h) **Не позволяйте хорошему знанию от частого использования инструментов стать причиной самонадеянности и игнорирования правил техники безопасности.** Небрежное действие может повлечь серьезные травмы за долю секунды.

4) Эксплуатация электроинструмента и уход за ним

- a) **Избегайте чрезмерной нагрузки электроинструмента. Используйте электроинструмент в соответствии с назначением.** Правильно подобранный электроинструмент выполнит работу более эффективно и безопасно при стандартной нагрузке.
- b) **Не пользуйтесь инструментом, если не работает выключатель.** Любой инструмент, управлять включением и выключением которого невозможно, опасен, и его необходимо отремонтировать.

- c) **Перед выполнением любых настроек, сменой аксессуаров или прежде чем убрать инструмент на хранение, отключите его от сети и/или снимите с него аккумуляторную батарею, если ее можно снять.** Такие превентивные меры безопасности сокращают риск случайного включения электроинструмента.
- d) **Храните электроинструмент в недоступном для детей месте и не позволяйте работать с инструментом людям, не имеющим соответствующих навыков работы с такого рода инструментами.** Электроинструмент представляет опасность в руках неопытных пользователей.
- e) **Поддерживайте электроинструмент и принадлежность в исправном состоянии. Проверьте, не нарушена ли центровка или не заклинены ли движущиеся детали, нет ли повреждений или иных неисправностей, которые могли бы повлиять на работу электроинструмента. В случае обнаружения повреждений, прежде чем приступить к эксплуатации электроинструмента, его нужно отремонтировать.** Большинство несчастных случаев происходит из-за электроинструментов, которые не обслуживаются должным образом.
- f) **Содержите режущий инструмент в остро заточенном и чистом состоянии.** Вероятность заклинивания инструмента, за которым следят должным образом и который хорошо заточен, значительно меньше, а работать с ним легче.
- g) **Используйте электроинструменты, принадлежности и насадки в соответствии с данными инструкциями, принимая во внимание условия работы и характер выполняемой работы.** Использование электроинструмента для выполнения операций, для которых он не предназначен, может привести к созданию опасных ситуаций.
- h) **Все рукоятки и поверхности захватывания должны быть сухими и без следов смазки.** Скользкие рукоятки и поверхности захватывания не позволяют обеспечить безопасность работы и управления инструментом в непредвиденных ситуациях.

5) Обслуживание


- a) **Обслуживание электроинструмента должен проводить квалифицированный специалист с использованием только оригинальных запасных частей.** Это позволит обеспечить безопасность обслуживаемого электрифицированного инструмента.

Правила безопасности при работе настольными пилами

1) Меры предосторожности, связанные с использованием защитных приспособлений

- a) **Защитные кожухи всегда должны быть установлены на инструмент. Защитные кожухи должны быть в исправном состоянии и надежно установлены.** Неадекватно закрепленный, поврежденный или неисправно работающий защитный кожух должен быть отремонтирован или заменен.
- b) **Всегда используйте защитный кожух пильного диска и расклинивающий нож во время выполнения распила.** При выполнении сквозных резов, когда пильный диск полностью проходит сквозь заготовку, защитный кожух и другие защитные приспособления помогут снизить риск получения травмы.
- c) После выполнения операций, требующих снятия защитного кожуха, расклинивающего ножа и/или предохранителей от обратного удара (например, при выпиливании канавок), немедленно устанавливайте на место защитные приспособления. Защитный кожух и расклинивающий нож необходимы для снижения вероятности получения травм.
- d) **Перед включением двигателя убедитесь, что пильный диск не касается защитного кожуха, расклинивающего ножа или заготовки.** Случайный контакт пильного диска с данными объектами может привести к возникновению опасной ситуации.
- e) **Отрегулируйте расклинивающий нож так, как описано в данном руководстве по эксплуатации.** Неправильный зазор, позиционирование и подгонка могут привести к тому, что расклинивающий нож не будет снижать вероятность отдачи.
- f) **Для того чтобы расклинивающий нож работал, он должен касаться заготовки.** Расклинивающий нож неэффективен, если заготовка слишком короткая и не входит в контакт с расклинивающим ножом. При таких обстоятельствах расклинивающий нож не сможет предотвратить отдачу.
- g) **Используйте правильный тип пильного диска для расклинивающего ножа.** Для того чтобы расклинивающий нож работал исправно, необходимо использовать диаметр пильного полотна, который соответствует расклинивающему ножу, корпус пильного полотна должен быть тоньше, чем расклинивающий нож, а ширина режущего пильного полотна должна быть больше толщины расклинивающего ножа.

2) Меры предосторожности при пилениях

- a)  **ОПАСНО: Никогда не держите пальцы или руки вблизи или в одной плоскости с пильным диском.** Малейшая невнимательность или неосторожность может привести к попаданию руки под пильный диск и к получению тяжелой травмы.
- b) **Подавайте заготовку только в направлении, противоположном направлению вращения диска.** Подача заготовки в одном направлении с вращающимся над распиловочным столом диском может привести к тому, что рука вместе с заготовкой будут втянуты под пильный диск.
- c) **Никогда не используйте угловой упор для подачи заготовки во время продольного распила. Никогда не используйте продольную направляющую в качестве ограничителя длины при выполнении поперечных распилов с использованием углового упора.** Подача заготовки с использованием одновременно продольной направляющей и углового упора увеличивает вероятность заклинивания пильного диска и возникновения обратного удара.
- d) **При продольном распиле всегда подавайте заготовку между направляющей и пильным диском. Используйте толкатель, если расстояние между направляющей и пильным диском составляет меньше 150 мм, и толкающий блок, если расстояние меньше 50 мм.** Вспомогательные устройства будут держать ваши руки на безопасном расстоянии от пильного диска.
- e) **Используйте только толкатели, предоставленные производителем инструмента или сконструированные в соответствии с инструкциями.** Толкатель обеспечивает безопасное расстояние рук от пильного диска.
- f) **Запрещается использовать поврежденный или укороченный толкатель.** Поврежденный толкатель может сломаться, что станет причиной попадания ваших рук под пильный диск.
- g) **Не выполняйте никаких операций «от руки».** Всегда используйте продольную направляющую или угловой упор для расположения и подачи заготовки. Термин «от руки» обозначает использование рук вместо продольной направляющей или углового упора при поддержке или подаче заготовки. Распил «от руки» приводит к смещению заготовки, заклиниванию диска и образованию обратного удара.
- h) **Никогда не пытайтесь дотянуться до чего-либо вблизи или над вращающимся пильным диском.** Попытка дотянуться до заготовки может

привести к случайному контакту с движущимся пильным диском.

- i) **При работе с длинными и/или широкими заготовками обеспечьте дополнительную опору заготовки в задней части и/или по бокам распиловочного стола, чтобы обеспечить полную горизонтальность заготовки.** Длинная и/или широкая заготовка может наклониться с краю стола, что приведет к потере контроля, заклиниванию и отдаче пильного полотна.
- j) **Подавайте заготовку равномерно. Не сгибайте или не скручивайте заготовку. В случае заклинивания немедленно отключите инструмент, отсоедините его от питания и устраните причину заклинивания.** Заклинивание пильного диска в заготовке может стать причиной образования обратного удара или останова двигателя.
- k) **Не удаляйте отрезанный материал при работающей пиле.** Материал может оказаться зажатым между направляющей и диском или внутри защитного кожуха диска, и при попытке его освобождения ваши пальцы могут быть затянуты под пильный диск. Выключите пилу и дождитесь полной остановки пильного диска, прежде чем извлекать материал.
- l) **При продольном распиле заготовок толщиной менее 2 мм используйте дополнительную направляющую, установленную на распиловочный стол.** Тонкие заготовки могут застрять под продольной направляющей, образуя обратный удар.

3) Причины обратного удара и меры по его предотвращению

Обратный удар является внезапной реакцией на заземление, зажимание пильного диска или смещение с линии пропила в заготовке относительно пильного диска или при застревании части заготовки между пильным диском и продольной направляющей или любым другим неподвижным объектом.

Наиболее часто во время обратного удара происходит поднятие задней частью пильного диска заготовки над распиловочным столом и отбрасыванием ее в сторону оператора. Обратный удар является результатом использования пилы не по назначению и/или неправильных действий оператора и условий работы, и его можно избежать, соблюдая следующие меры безопасности.

- a) **Никогда не стойте на одной линии с пильным диском. Всегда стойте с той стороны пильного диска, где находится направляющая.** Обратный удар может с большой силой отбросить заготовку в сторону любого стоящего перед или на одной линии с пильным диском.
- b) **Никогда не пытайтесь тянуться над или позади пильного диска, чтобы протолкнуть или поддержать заготовку.** Случайное касание

пильного диска или сила обратного удара может затянуть ваши пальцы под пильный диск.

- c) **Никогда не удерживайте и не надавливайте на отрезаемую часть заготовки вблизи от вращающегося пильного диска.** Надавливание на отрезаемую часть заготовки вблизи от пильного диска может спровоцировать заклинивание диска или образование обратного удара.
- d) **Выравнивайте направляющую параллельно к плоскости пильного диска.** Не выровненная направляющая прижмет заготовку к пильному диску, спровоцировав образование обратного удара.
- e) **При выполнении несковозных резов, например, при выпиливании канавок, используйте гребенчатый прижим для подачи заготовки вплотную к столу и направляющей.** Гребенчатый прижим помогает контролировать заготовку в случае отдачи.
- f) **Будьте особенно внимательны при распиле сплошных поверхностей или сборных заготовок.** Выступающий пильный диск может разрезать скрытые объекты, что приведёт к образованию обратного удара.
- g) **Для сведения к минимуму риска заклинивания диска и возникновения обратного удара, поддерживайте заготовки большого размера.** Большие заготовки имеют тенденцию прогибаться под тяжестью собственного веса. Опору(-ы) необходимо поместить под всеми выступающими частями панели.
- h) **Будьте особенно осторожны при распиле перекрученных, узловатых и деформированных заготовок, а также заготовок, не имеющих прямого края, который должен упираться в угловой упор и располагаться вдоль направляющей.** Деформированные, узловатые или перекрученные заготовки неустойчивы и могут стать причиной отклонения пильного диска от линии пропила, заклинивания диска или возникновения обратного удара.
- i) **Никогда не распиливайте более одной заготовки, уложенной вертикально или горизонтально.** Пильный диск может приподнять одну или несколько частей заготовок, что станет причиной возникновения обратного удара.
- j) **При перезапуске пилы с диском в заготовке отцентрируйте пильный диск в пропиле и убедитесь в том, что зубья пилы не касаются материала.** Если пильный диск заклинен, то при повторном запуске пилы он может приподнять заготовку вверх, что станет причиной возникновения обратного удара.
- k) **Содержите пильные диски в чистоте, остро заточенными и в достаточном количестве. Никогда не используйте искривленные пильные диски или диски с**

треснувшими или сломанными зубьями. Остро заточенные и правильно установленные пильные диски значительно снижают риск заклинивания, внезапного останова и образования обратного удара.

4) Меры предосторожности при эксплуатации настольной пилы

- a) *При снятии пластины для пропила, смене пильного диска или регулировке расклинивающего ножа, предохранителей от обратного удара или защитного кожуха диска, а также при оставлении инструмента без присмотра выключайте настольную пилу и отключайте ее от электросети. Меры предосторожности позволяют предотвратить несчастный случай.*
- b) *Никогда не оставляйте без присмотра работающую пилу. Выключайте его и не оставляйте инструмент до его полной остановки. Работающая пила, оставленная без присмотра, является неуправляемой опасностью.*
- c) *Располагайте настольную пилу в хорошо освещенном и устойчивом месте, где вы будете устойчиво стоять на ногах и сохранять равновесие. Установите инструмент в достаточно просторном помещении, где вам будет удобно работать с заготовками нужного размера. Тесные и темные помещения с неровным и скользким полом могут привести к несчастным случаям.*
- d) *Регулярно чистите и удаляйте опилки из-под распиловочного стола и/или из устройства пылеудаления. Большое скопление древесных опилок является легковоспламеняющимся материалом и может самовозгореться.*
- e) *Настольная пила должна быть надежно закреплена. Неправильно закрепленная настольная пила может переместиться или перевернуться.*
- f) *Перед включением настольной пилы убирайте с распиловочного стола ручные инструменты, деревянные обрезки и пр. Отвлечение внимания или возможное заклинивание может создать опасную ситуацию.*
- g) *Всегда используйте пильные диски с посадочными отверстиями правильного размера и формы (ромбовидной или круглой). Пильные диски, не соответствующие установочной фурнитуре пилы, при движении сместятся, что приведет к потере контроля над инструментом.*
- h) *Никогда не используйте поврежденную или неправильно подобранную фурнитуру для крепления диска, например, фланцы, шайбы, болты или гайки. Крепежная фурнитура была специально разработана для вашей пилы в целях повышения производительности и безопасности при использовании.*

- i) *Никогда не стойте на циркулярном столе и не используйте его в качестве стремянки. Если вы перевернете инструмент или если случайно соприкоснетесь с режущим инструментом, это может привести к серьезным травмам.*
- j) *Убедитесь, что пильный диск установлен в правильном направлении вращения. Не используйте с настольной пилой шлифовальные круги, проволочные щетки или абразивные диски. Неправильно установленный пильный диск или использование не рекомендованных принадлежностей может привести к серьезным травмам.*

Дополнительные правила безопасности при работе распиловочными станками



- ОСТОРОЖНО:** *Резка пластмассы, пропиленной древесины и других материалов может привести к накоплению расплавленного материала на краях диска и корпусе пильного диска, что увеличивает риск перегрева и заклинивания во время резки.*
- *Проверьте правильность направления вращения диска и убедитесь в том, что зубья направлены в сторону передней части пильного станка.*
 - *Перед началом работы убедитесь в том, что все фиксаторы и рукоятки надежно закреплены.*
 - *Убедитесь, что все диски и фланцы чистые, а более широкие стороны прижимных шайб расположены вплотную к диску. Затяните с усилием гайку распорного кольца.*
 - *Убедитесь, что расклинивающий нож установлен на правильном расстоянии от диска — не более 8 мм.*
 - *Ни в коем случае не работайте пилой, если не установлены нижний и верхний защитные кожухи.*
 - *Не наносите смазку на пильный диск во время его вращения.*
 - *Всегда держите неиспользуемый толкатель в предназначенном для него месте для хранения.*
 - *Не держите и не переносите инструмент за защитный кожух.*
 - *Ни в коем случае не прилагайте бокового усилия к диску.*
 - *Распиловка легких сплавов запрещена. Данный инструмент для этого не предназначен.*
 - *Не используйте абразивные или алмазные отрезные диски.*
 - *Не допускается выполнение пазов, выборки и канавок.*
 - *В случае выхода инструмента из строя немедленно выключите инструмент и отключите его от источника питания. Сообщите о неисправности и должным образом опишите состояние инструмента, чтобы предотвратить использование поврежденного инструмента другими пользователями.*
 - *Если диск пилы заклинил из-за превышения силы давления во время распила отключите инструмент и отключите его от сети. Удалите заготовку и*

убедитесь в том, что диск свободно вращается. Включите инструмент и начните снова выполнять распил, не прилагая к инструменту излишней силы.

- НИКОГДА не пытайтесь распилить стопку незакрепленных между собой кусков заготовки, это может привести к потере контроля или возникновению обратного удара. Надежно закрепляйте материалы.
- Следите за правильным расположением защитного кожуха. При пилении он всегда должен быть обращен в сторону заготовки.

Пильные диски

- Не допускается использование пильных дисков, размеры которых не соответствуют размерам, указанным в разделе «Технические характеристики». Не используйте никаких монтажных элементов при установке пильного диска на шпиндель. Для распиловки древесины и других схожих материалов используйте только те диски, что указаны в данном руководстве, соответствующие стандарту EN847-1.
- Максимальная указанная скорость всегда должна быть больше или хотя бы равной скорости, указанной на паспортной табличке инструмента.
- Диаметр пильного диска должен соответствовать обозначениям на паспортной табличке инструмента.
- Старайтесь использовать специальные пильные диски с пониженным уровнем шума.
- Не используйте пильные диски из быстрорежущей стали.
- Не используйте треснувшие или поврежденные пильные диски.
- Правильно подбирайте пильные диски в соответствии с материалом.
- При захвате пильных дисков или заготовок из грубого материала всегда надевайте защитные перчатки. По возможности храните пильные диски в держателе.

Остаточные риски

При использовании пилы присутствуют следующие риски:

- повреждение в результате касания вращающихся частей.

Несмотря на соблюдение соответствующих инструкций по технике безопасности и использование предохранительных устройств, некоторые остаточные риски невозможно полностью исключить. А именно:

- ухудшение слуха;
- несчастные случаи, происходящие в результате контакта с открытым движущимся диском пилы;
- при замене пильных дисков голыми руками существует опасность получения травм;
- риск защемления пальцев при снятии защитного кожуха.
- ущерб здоровью в результате вдыхания пыли от распила древесины, в особенности, дуба, бука и ДВП.

Следующие факторы влияют на уровень шума:

- разрезаемый материал;
- тип пильного диска;
- сила подачи;
- техническое состояние инструмента.

Следующие факторы влияют на количество пыли:

- износ пильного диска;
- скорость воздушного потока пылеудаляющего устройства ниже 20 м/сек;
- неточная подача заготовки.

Остаточные риски

При использовании пилы присутствуют следующие риски:

- повреждения в результате касания вращающихся частей.

Несмотря на соблюдение соответствующих инструкций по технике безопасности и использование предохранительных устройств, некоторые остаточные риски невозможно полностью исключить. А именно:

- ухудшение слуха;
- несчастные случаи, происходящие в результате контакта с открытым движущимся диском пилы;
- при замене пильных дисков голыми руками существует опасность получения травм;
- риск защемления пальцев при снятии защитного кожуха.
- ущерб здоровью в результате вдыхания пыли от распила древесины, в особенности, дуба, бука и ДВП.

Следующие факторы влияют на уровень шума:

- разрезаемый материал;
- тип пильного диска;
- сила подачи;
- техническое состояние инструмента.

Следующие факторы влияют на количество пыли:

- износ пильного диска;
- скорость воздушного потока пылеудаляющего устройства ниже 20 м/сек;
- неточная подача заготовки.

Электробезопасность

Электродвигатель рассчитан на работу только при одном напряжении сети. Следите за напряжением электрической сети, оно должно соответствовать величине, обозначенной на информационной табличке инструмента.



Ваш инструмент DEWALT имеет двойную изоляцию в соответствии с EN62841; поэтому при работе с ним не требуется заземление.

Если поврежден кабель питания, его нужно заменить у производителя или в официальном сервисном центре DEWALT.

ПРИМЕЧАНИЕ: Это устройство предназначено для подключения к системе сетевого питания с максимально допустимым сопротивлением системы Z_{макс} в 0,25 Ом в точке интерфейса (коробка питания) источника питания пользователя. Пользователь должен убедиться

в том, что это устройство подключено только к системе питания, что соответствует указанным выше правилам. При необходимости пользователь может обратиться в государственную энергетическую компанию, и узнать сопротивление системы в точке интерфейса.

Использование удлинительного кабеля

При необходимости использования удлинительного кабеля, используйте только утвержденные 3-х жильные кабели промышленного изготовления, рассчитанные на мощность не меньшую, чем потребляемая мощность данного инструмента (см. раздел **Технические характеристики**). Минимальный размер проводника должен составлять 1,5 мм²; максимальная длина – 30 м.

При использовании кабельного барабана всегда полностью разматывайте кабель.

Комплектация поставки

В комплектацию входит:

- 1 Частично собранный инструмент
- 1 Узел продольной направляющей
- 1 Угловой упор
- 1 Пильный диск
- 1 Узел верхнего защитного кожуха диска
- 1 Пластина для пропила
- 2 Ключа для установки диска
- 1 Переходник для пылесоса
- 1 Руководство по эксплуатации
- Проверьте инструмент, детали и дополнительные приспособления на наличие повреждений, которые могли произойти во время транспортировки.
- Перед началом работы необходимо внимательно прочитать настоящее руководство и принять к сведению содержащуюся в нем информацию.

Маркировка на инструменте

На инструмент нанесены следующие обозначения:

-  Перед началом работы прочтите руководство по эксплуатации.
-  Используйте защитные наушники.
-  Используйте защитные очки.
-  Используйте защитную маску.
-  Держите руки на расстоянии от зоны пиления и пильного диска.
-  Место для переноски.


Место положения кода даты (Рис. [Fig.] A)

Код даты **25**, который также включает в себя год изготовления, отштампован на поверхности корпуса инструмента.

Пример:

2019 XX XX
Год изготовления

Описание (Рис. A, C)

 **ОСТОРОЖНО:** Никогда не вносите изменения в конструкцию электроинструмента или какой-либо его части. Это может привести к повреждению или травме.

- | | |
|--|--|
| 1 Распиловочный стол | 15 Пластина для пропила |
| 2 Пильный диск | 16 Продольная направляющая |
| 3 Индикатор шкалы продольной направляющей | 17 Фиксатор продольной направляющей |
| 4 Регулятор тонкой настройки | 18 Узкая продольная направляющая/опора для длинных заготовок |
| 5 Зажимной рычаг фиксатора рельсы | 19 Гаечные ключи для установки диска (изображены в положении хранения) |
| 6 Колесо регулировки высоты пильного диска | 20 Толкатель (изображен в положении хранения) |
| 7 Рычаг установки угла наклона | 21 Расклинивающий нож (для несковзного пиления) (Рис. C) |
| 8 Узел выключателя | 22 Место для хранения углового упора |
| 9 Монтажные отверстия | 23 Держатель кабеля |
| 10 Угловой упор | 24 Монтажные отверстия для кронштейна DE7400 |
| 11 Узел защитного кожуха диска | |
| 12 Ручка для переноски | |
| 13 Отверстие пылеотвода | |
| 14 Отверстие пылеотвода защитного кожуха | |

Сфера применения

Ваша настольная пила предназначена для профессиональных работ по продольному распилу, поперечному распилу, распилу со скосом и наклоном различных материалов, например, аналогичных древесине материалов и пластика.

НЕ используйте в условиях повышенной влажности или поблизости от легковоспламеняющихся жидкостей или газов.

Данная настольная пила является профессиональным инструментом.

НЕ разрешайте детям прикасаться к инструменту. Использование инструмента неопытными пользователями должно происходить под контролем опытного лица.

- Данный инструмент не предназначен для использования лицами (включая детей) с ограниченными физическими, психическими и умственными возможностями, не имеющими опыта, знаний или навыков работы с ним, если они не находятся под наблюдением лица,

ответственного за их безопасность. Никогда не оставляйте детей без присмотра с этим инструментом.

СБОРКА И РЕГУЛИРОВКА

! **ВНИМАНИЕ:** Чтобы снизить риск получения серьезных травм, выключайте инструмент и отключайте его от сети перед тем, как выполнять какие-либо настройки или снимать/устанавливать насадки или принадлежности. Случайный запуск может привести к травме.

Распаковка

- Аккуратно извлеките пилу из упаковок.
- Инструмент поставляется в полностью собранном виде, за исключением продольной направляющей, углового упора, переходника для пылеудаления и узла защитного кожуха пильного диска.
- Завершите сборку согласно приведенным далее инструкциям.

Установка пильного диска (Рис. А, В)

! **ОСТОРОЖНО:** Чтобы снизить риск получения серьезных травм, выключайте инструмент и отключайте его от сети перед тем, как выполнять какие-либо регулировки или снимать/устанавливать приспособления или дополнительные принадлежности. Случайный запуск может привести к травме.

! **ОСТОРОЖНО:** Для снижения риска получения травмы при работе с пильными дисками надевайте защитные перчатки.

! **ОСТОРОЖНО:** Зубья новых дисков очень острые и могут представлять опасность.

! **ОСТОРОЖНО:** Пильные диски **ДОЛЖНЫ** заменяться только описанным в данном разделе способом. **Используйте ТОЛЬКО** диски, обозначенные в разделе «Технические характеристики». Мы рекомендуем использовать DT99565. НИКОГДА не устанавливайте другие пильные диски.

ПРИМЕЧАНИЕ: Данная пила поставляется с диском, установленным на заводе-изготовителе.

1. Поднимите шпindel для насадки пильного диска на максимальную высоту, вращая колесо регулировки высоты пильного диска **6** в направлении по часовой стрелке.
2. Снимите пластину для пропила **15**. См. раздел «Установка пластины для пропила».
3. Используя ключи **19**, ослабьте и снимите со шпинделя гайку шпинделя **26** и прижимную шайбу **27**, поворачивая их против часовой стрелки.
4. Установите пильный диск на шпindel **28** и убедитесь, что зубья диска **2** направлены вниз в сторону передней части стола. Установите на шпindel гайку и шайбы, затяните гайку шпинделя **26** ручную до упора и убедитесь, что пильный диск плотно прилегает к внутренней шайбе, а внешняя прижимная шайба **27** прилегает к диску. Убедитесь, что более широкая в

диаметре сторона фланца прилегает к пильному диску. Убедитесь, что на шпинделе и шайбах нет пыли и грязи.

5. Удерживая шпindel от вращения открытым концом гаечного ключа **19**, затяните гайку шпинделя.
6. Затягивайте гайку шпинделя **26** закрытым концом гаечного ключа, поворачивая его по часовой стрелке.
7. Установите на место пластину для пропила.

! **ОСТОРОЖНО:** После замены пильного диска всегда проверяйте состояние указателя продольной направляющей и узла защитного кожуха пильного диска.

Установка/снятие узла защитного кожуха/расклинивающего ножа (Рис. А, С)

! **ОСТОРОЖНО:** Используйте узел защитного кожуха при всех типах сквозного пиления.

1. Поднимите шпindel для насадки пильного диска на максимальную высоту.
2. Ослабьте зажимную рукоятку расклинивающего ножа **29** (не менее чем на три оборота).
3. Чтобы высвободить блокировочный стержень расклинивающего ножа, потяните за зажимную рукоятку в направлении, указанном черными стрелками на самой рукоятке.
4. Вытягивая зажимную рукоятку, поднимите расклинивающий нож из зажима. Затем надвиньте узел защитного кожуха **11** на зажим, пока он не достигнет нижнего предела.
5. Отпустите зажимную рукоятку, чтобы задействовать блокировочный стержень. Чтобы убедиться в том, что блокировочный стержень задействован, переведите защитный кожух слегка вперед.
6. Затяните зажимную рукоятку расклинивающего ножа.

ПРИМЕЧАНИЕ: Для расклинивающего ножа выполняйте те же действия.

! **ОСТОРОЖНО:** Перед подключением настольной пилы к источнику питания или перед эксплуатацией пилы всегда проверяйте, что узел защитного кожуха правильно отцентрован и находится на правильном расстоянии от пильного диска. Проверяйте положение пильного диска каждый раз, когда меняете угол наклона.

! **ОСТОРОЖНО:** Чтобы снизить риск получения трав, НЕ ИСПОЛЬЗУЙТЕ пилу, если узел пильного диска надежно не закреплен на своем месте.

При правильном выравнивании расклинивающий нож **21** будет находиться на одной линии с пильным диском как относительно верхней поверхности стола, так и относительно верхней части диска. При помощи угольника проверьте выравнивание пильного диска **2** с расклинивающим ножом **21**. Не подключая пилу к источнику питания, поднимите пильный диск на максимальную высоту и наклоните его под максимальным

углом, чтобы убедиться, что узел защитного кожуха без помех открывает пильный диск при выполнении любых операций.

⚠ ОСТОРОЖНО: *Правильная установка и центровка узла защитного кожуха пильного диска является залогом безопасной работы!*

Установка пластины для пропила (Рис. D)

1. Выровняйте пластину для пропила **15** как показано на Рисунке D, и вставьте язычки, расположенные на задней стороне пластины для пропила, в отверстия задней части стола.
2. При помощи отвертки поверните зажимной винт **30** по часовой стрелке на 90°, чтобы зафиксировать пластину для пропила на месте.
3. В пластине для пропила имеются четыре регулировочных винта, при помощи которых ее можно поднять или опустить. При правильной установке передняя поверхность пластины для пропила должна располагаться вровень или немного ниже поверхности стола и зафиксирована на месте. Задняя поверхность пластины для пропила должна располагаться вровень или слегка ниже поверхности стола.

⚠ ОСТОРОЖНО: *Запрещается использовать инструмент без пластины для пропила. В случае повреждения или износа пластины для пропила ее необходимо немедленно заменить.*

Снятие пластины для пропила

1. Чтобы извлечь пластину для пропила **15** отверткой поверните зажимной винт **30** на 90° против часовой стрелки.
2. Потяните пластину для пропила из пилы вверх и вперед. НЕ ИСПОЛЬЗУЙТЕ пилу без пластины для пропила.

Установка продольной направляющей (Рис. E)

Продольная направляющая может быть установлена в двух положениях на правой стороне (Положение 1 **47** для продольного распила от 0 мм до 510 мм и Положение 2 **47** для продольного распила от 100 мм до 610 мм) и в одном положении на левой стороне вашей настольной пилы.

1. Разблокируйте фиксаторы продольной направляющей **17**.
2. Удерживая направляющую под углом, совместите центровочные штифты **47** (передний и задний) на рельсах направляющей с отверстиями **31** в головной части направляющей.
3. Вставьте штифты в отверстия и поверните направляющую вниз, закрепляя ее на рельсах.
4. Зафиксируйте направляющую на месте, заблокировав передний и задний фиксаторы **17** на рельсах.

Крепление пилы на верстаке (Рис. A)

- На кронштейне инструмента, на каждой стороне между ножками, предусмотрено по два отверстия **9** позволяющие закрепить пилу на верстаке. Отверстия

следует использовать по диагонали.

- Для удобства переноски фиксируйте инструмент на куске фанеры толщиной минимум 15 мм.

Впоследствии фанеру можно закрепить на рабочем столе при помощи зажимов. Раскрыв зажимы, инструмент легко можно перенести в другое место.

Под лапой пилы также имеются отверстия **24** для монтажа пилы на кронштейнах DE7400.

РЕГУЛИРОВКА

Регулировка пильного диска

Выравнивание диска (параллельно прорези направляющей) (Рис. F)

⚠ ОСТОРОЖНО: *Опасность пореза. Проверьте положение диска на отметках 0° и 45°, чтобы убедиться, что диск не касается пластины для пропила, что может стать причиной получения травмы.*

Если пильный диск не выровнен относительно прорези углового упора, расположенной на верхней поверхности распиловочного стола, потребуется дополнительная регулировка. Для выравнивания пильного диска относительно прорези углового упора, выполните следующие действия:

⚠ ОСТОРОЖНО: *Чтобы снизить риск получения серьезных травм, выключайте инструмент и отключайте его от сети перед тем, как выполнять какие-либо регулировки или снимать/устанавливать приспособления или дополнительные принадлежности. Случайный запуск может привести к травме.*

1. При помощи шестигранного ключа 5 мм ослабьте крепежные элементы **32**, заднего поворотного кронштейна, расположенные на внутренней стороне распиловочного стола, ровно настолько, чтобы позволить кронштейну передвигаться из стороны в сторону.
2. Отрегулируйте положение кронштейна, чтобы пильный диск оказался расположенным параллельно прорези.
3. Затяните крепежные элементы заднего поворотного кронштейна до 12,5-13,6 Нм.

Регулировка высоты пильного диска (Рис. A)

Пильный диск может быть поднят или опущен путём вращения колеса регулировки высоты пильного диска **6**.

Убедитесь, что верхние три зуба пильного диска при распиловке проходят сквозь верхнюю поверхность заготовки. Таким способом удаление материала будет выполняться максимальным количеством зубьев, в результате чего будет достигнута оптимальная производительность.

Выравнивание узла защитного кожуха относительно пильного диска (Рис. G)

1. Снимите пластину для пропила. См. подраздел «Снятие пластины для пропила» в разделе «Сборка и регулировка».
2. Поднимите пильный диск на максимальную глубину пропила и под углом 0°.
3. Найдите три маленьких установочных винта **33**. Эти винты будут использованы, чтобы отрегулировать положение расклинивающего ножа.
4. Расположите на столе направляющую прямой кромкой вплотную к двум зубьям диска. Расклинивающий нож не должен прикасаться к прямой кромке.
5. При необходимости регулировки ослабьте два крупных зажимных винта **34**.
6. При помощи маленьких установочных винтов **33** отрегулируйте положение расклинивающего ножа. Расположите прямую кромку с противоположной стороны диска и повторите регулировку, при необходимости.
7. Слегка затяните два крупных зажимных винта **34**.
8. Положите угольник на стол вплотную к расклинивавшему ножу, чтобы убедиться, что расклинивающий нож расположен строго вертикально и на одной линии с пильным диском.
9. При необходимости воспользуйтесь установочными винтами, чтобы отрегулировать вертикальность расклинивающего ножа по угольнику.
10. Для проверки положения расклинивающего ножа повторите шаг 4. Если необходимо, повторяйте шаги с 5 по 9.
11. Затяните до упора два крупных зажимных винта **34**.

Параллельная регулировка (Рис. А, Н, I)

Для достижения наилучших результатов, пильный диск должен быть расположен параллельно продольной направляющей. Данная настройка выполняется на заводе-изготовителе. Дополнительная регулировка:

Регулировка направляющей в Положении 1

1. Установите направляющую в Положение 1 и отожмите зажимной рычаг фиксатора рельсы **5**. На передние и задние рельсы установите оба центровочных штифта **47** поддерживающих направляющую.
2. Ослабьте винт заднего центровочного штифта и отрегулируйте положение направляющей в пазе, пока передняя сторона направляющей не будет полностью параллельна пильному диску. Чтобы убедиться в правильности выравнивания, измерьте расстояние от передней стороны направляющей до передней и задней поверхности пильного диска.
3. Затяните винт центровочного штифта и повторите действия с левой стороны от пильного диска.
4. Проверьте настройку указателя шкалы продольной направляющей (Рис. I).

Регулировка направляющей в Положении 2 (Рис. H)

1. Чтобы отрегулировать центровочные штифты **47**, направляющей в положении 2, убедитесь, что были отрегулированы штифты в положении 1. См. раздел «Регулировка направляющей в положении 1».
2. Ослабьте штифты в положении 2, затем, используя отверстия на гаечном ключе для установки диска **19** в качестве ориентира, отрегулируйте штифты (Рис. H).
3. Затяните центровочные штифты (передний и задний).

Регулировка шкалы продольной направляющей (Рис. H, I)

1. Отожмите зажимной рычаг фиксатора рельсы **5**.
2. Установите пильный диск наклон 0° и двигайте направляющую, пока она не коснется пильного диска.
3. Заблокируйте зажимной рычаг фиксатора рельсы.
4. Ослабьте винты указателя шкалы продольной направляющей **35** и установите указатель на ноль (0). Затяните винты индикатора шкалы продольной направляющей. Показания желтой шкалы направляющей (верхней) будут верны только в том случае, если направляющая была установлена с правой стороны от пильного диска и в Положении 1 **47** (для продольного распила от 0 до 510 мм), но не в положении для продольного распила 610 мм. Показания белой шкалы направляющей (нижней) будут верны только в том случае, если направляющая была установлена с правой стороны от пильного диска и в Положении 2 **47** (для продольного распила от 100 до 610 мм).

Показания шкалы верны только в том случае, если направляющая установлена с правой стороны от пильного диска.

Регулировка фиксатора рельсы (Рис. I, J)

Фиксатор рельсы устанавливается на заводе-изготовителе. При необходимости дополнительной регулировки выполните следующие действия:

1. Затяните зажимной рычаг фиксатора рельсы **5**.
2. С нижней стороны пилы ослабьте зажимную гайку **36**.
3. Затяните шестигранный стержень **37** пока не сожмется пружина фиксирующей системы, создавая требуемое натяжение на зажимной рычаг фиксатора рельсы. Затяните зажимную гайку вплотную к шестигранному стержню.
4. Переверните пилу и убедитесь, что направляющая не двигается при затянутом рычаге. Если направляющая продолжает двигаться, сильнее сожмите пружину.

Регулировка ограничителя угла наклона и указателя (Рис. K)

1. Вращая колесо регулировки высоты пильного диска **6** по часовой стрелке до упора, поднимите пильный диск на максимальную высоту.

2. Разблокируйте рычаг установки угла наклона **7**, подняв его вверх и повернув вправо. Ослабьте стопорный винт ограничителя угла наклона **38**.
3. Приложите угольник горизонтально к столу и вертикально к плоскости пильного диска, расположив его между зубьями. Убедитесь, что рычаг установки угла наклона разблокирован, т.е. находится в верхнем положении.
4. При помощи рычага установки угла наклона отрегулируйте угол наклона таким образом, чтобы пильный диск оказался прижатым вплотную к угольнику.
5. Затяните рычаг установки угла наклона, опустив его вниз.
6. Поворачивайте винт ограничителя угла наклона **38** до тех пор, пока он вплотную не приблизится к опорному блоку. Затяните винт ограничителя угла наклона.
7. Проверьте шкалу угла наклона. Если указатель не указывает на отметку 0°, ослабьте винт указателя **39** и установите указатель на отметке. Затяните винт указателя.
8. Повторите при 45°, но не регулируйте указатель.

Регулировка углового упора (Рис. А)

Чтобы отрегулировать угловой упор **10**, ослабьте зажимную рукоятку, установите нужный угол и снова затяните зажимную рукоятку.

Положение тела и рук

Правильное положение тела и рук во время управления настольной пилой сделает работу более лёгкой, точной и безопасной.



ОСТОРОЖНО:

- *Никогда не держите руки в зоне распила.*
- *Не подносите руки к диску ближе, чем на 150 мм.*
- *Не перекрещивайте руки во время работы.*
- *Твердо стойте на ногах, чтобы сохранять надлежащий баланс.*

Подготовка к эксплуатации



ОСТОРОЖНО:

- *Используйте пильный диск соответствующего типа. Не используйте крайне изношенные диски. Максимальная скорость вращения инструмента не должна превышать скорость вращения пильного диска.*
- *Не пытайтесь распиливать очень мелкие детали.*
- *Не пытайтесь ускорить работу пильного диска. Не прилагайте чрезмерных усилий.*
- *Перед началом резки дождитесь, пока двигатель наберет полные обороты.*

ЭКСПЛУАТАЦИЯ

Инструкции по использованию



ВНИМАНИЕ: *Всегда следуйте указаниям действующих норм и правил безопасности.*



ВНИМАНИЕ: *Чтобы снизить риск получения серьезных травм, выключайте инструмент и отключайте его от сети перед тем, как выполнять какие-либо настройки или снимать/устанавливать насадки или принадлежности. Случайный запуск может привести к травме.*

Чтобы уменьшить эффект вибрации, убедитесь в том, что температура окружающей среды не была слишком низкой, за инструментом и оснасткой был надлежащий уход, а размер заготовки соответствовал инструменту.



ОСТОРОЖНО:

- *Всегда соблюдайте правила техники безопасности и применимые законы.*
- *Убедитесь в том, что инструмент расположен оптимально с точки зрения эргономики, на соответствующей высоте и в устойчивом положении. Местоположение инструмента должно быть выбрано так, чтобы у оператора был хороший обзор и вокруг было достаточно места, которое позволило бы удобно работать с обрабатываемой деталью.*
- *Используйте пильный диск соответствующего типа. Не используйте изношенные диски. Максимальная скорость вращения инструмента не должна превышать скорость вращения пильного диска.*
- *Не пытайтесь распиливать очень мелкие детали.*
- *Не пытайтесь ускорить работу пильного диска. Не прилагайте чрезмерных усилий.*
- *Перед началом резки дождитесь, пока двигатель наберет полные обороты.*
- *Убедитесь в том, что все фиксаторы и зажимы надежно закреплены.*
- *Не держите руки рядом с диском в то время, когда инструмент подключен к источнику питания.*
- *Запрещается выполнять распиловку «от руки»!*
- *Распиловка неровных, изогнутых и вогнутых заготовок запрещена. Заготовки должна быть по меньшей мере одна прямая, гладкая поверхность, которую необходимо приложить к направляющей или угловому упору.*

- В целях предотвращения отдачи обязательно обеспечивайте опору для длинных заготовок.
- Не удаляйте отрезанные части заготовок из зоны пиления во время вращения диска.

Включение и выключение (Рис. А, L)

Узел пускового выключателя **8** вашей настольной пилы выполняет несколько функций:

- Отключение питающего напряжения: если подача электрического тока по какой-либо причине прервется, для включения инструмента необходимо будет заново нажать на пусковой выключатель.
- Чтобы включить инструмент, нажмите на зеленую кнопку запуска **40**.
- Чтобы выключить инструмент, нажмите на красную кнопку останова **41**.

Инструкции к функции блокировки пускового выключателя

Крышка над пусковым выключателем складывается для установки навесного замка, чтобы заблокировать пилу. Рекомендуется использовать навесной замок с максимальным диаметром 6,35 мм и минимальным зазором 76,2 мм.

Работа с продольной направляющей (Рис. А, М)

Рычаг блокировки рельсы

Зажимной рычаг фиксатора рельсы **5** фиксирует направляющую на месте, предотвращая ее перемещение во время пиления. Для фиксации опустите рычаг вниз и в сторону задней части пилы. Чтобы разблокировать его, потяните его вверх в сторону передней части пилы.

ПРИМЕЧАНИЕ: Выполняя продольный распил, обязательно зажимной рычаг фиксатора рельсы.

Опора для длинных заготовок / Узкая продольная направляющая

Ваша настольная пила оборудована опорой для длинных заготовок, выступающих за пределы распиловочного стола.

Для использования узкой продольной направляющей в положении опоры для заготовок поверните ее, выводя из положения хранения, как показано на Рисунке М, и вставьте штифты в нижние прорези **42** расположенные на обоих торцевых концах направляющей.

Для использования узкой продольной направляющей при продольном распиле узких заготовок вставьте штифты в верхние прорези **43** расположенные на обоих торцевых концах направляющей. Данная функция обеспечит дополнительный зазор в 51 мм к пильному диску. См. Рисунок М.

ПРИМЕЧАНИЕ: При работе поверх стола убирайте опору для заготовок или используйте ее в качестве узкой продольной направляющей.

Регулятор тонкой настройки

Регулятор тонкой настройки **4** позволяет производить мелкую регулировку при установке направляющей. Перед проведением регулировки убедитесь, что зажимной рычаг фиксатора рельсы поднят вверх или находится в положении разблокировки.

Указатель шкалы продольной направляющей

Указатель шкалы продольной направляющей нуждается в регулировке для оптимального использования направляющей при смене оператором дисков для широкой и узкой ширины пропила. Показания указателя шкалы направляющей верны только в Положении 1 (от 0 до 510 мм). Однако для Положения 1 при использовании узкой продольной направляющей следует прибавить 52 мм. См. подраздел **«Регулировка шкалы продольной направляющей»** в разделе **«Сборка и регулировка»**.

Основные типы резов

Продольная распиловка (Рис. А, N)



ОСТОРОЖНО: Острые кромки.

1. Установите диск на 0°.
2. Заблокируйте фиксатор продольной направляющей **17** (Рис. А).
3. Поднимите пильный диск, чтобы он располагался приблизительно на 3 мм выше верхней поверхности заготовки.
4. Отрегулируйте положение направляющей. См раздел **«Работа с продольной направляющей»**.
5. Положите заготовку на поверхность стола и прижмите к направляющей. Держите заготовку в стороне от пильного диска.
6. Держите обе руки на расстоянии от линии хода пильного диска.
7. Включите инструмент и дождитесь, пока диск наберет полные обороты.
8. Медленно подавайте заготовку под защитный кожух, плотно прижимая ее к направляющей. Не применяйте усилий при резке и не пытайтесь с силой протолкнуть заготовку в сторону диска. Скорость вращения диска должна быть постоянной.
9. При приближении к пильному диску всегда пользуйтесь толкателем **20** (Рис. N).
10. По окончании разреза выключите инструмент, дождитесь полной остановки диска и удалите заготовку.



ОСТОРОЖНО:

- Никогда не толкайте и не придерживайте свободный или отрезной край заготовки.
- Не пытайтесь распиливать очень мелкие заготовки.
- При продольной резке заготовок небольшого размера всегда пользуйтесь толкателем.

Распил с наклоном (Рис. А)



ОСТОРОЖНО: Избегайте продольных распилов с наклоном на наклонной (левой) стороне диска.

1. Установите требуемый угол наклона, подняв вверх и повернув вправо рычаг установки угла наклона **7**.
2. Чтобы установить необходимый угол, поверните рычаг, нажав на него и сдвинув влево, чтобы заблокировать его в этом положении.
3. Далее действуйте как при продольной распиловке.

Поперечный распил и поперечный распил с наклоном

1. Снимите продольную направляющую и установите в прорезь угловой упор.
2. Зафиксируйте угловой упор на отметке 0°.
3. Далее действуйте как при продольной распиловке.

Пиление со скосом (Рис. А)

1. Установите угловой упор **10** на нужный угол.

ПРИМЕЧАНИЕ: Всегда удерживайте заготовку вплотную к поверхности углового упора.

2. Далее действуйте как при продольной распиловке.

Комбинированное пиление

Комбинированное пиление является комбинацией пиления со скосом и с наклоном. Установите нужный угол наклона и далее действуйте как при поперечном распиле с наклоном.

Опора для длинных заготовок

- Обязательно закрепляйте длинные заготовки.
- Длинные заготовки закрепляйте с помощью таких средств, как пильные козлы или аналогичные устройства, чтобы их концы не опускались вниз.



Удаление пыли (Рис. А)

Пыль от материалов, например, с покрытиями, содержащих свинец, и некоторых типов древесины, может нанести вред здоровью. Пыль может вызвать аллергическую реакцию и/или вызвать респираторные заболевания пользователя или посторонних людей. Некоторые виды древесной пыли, например, дуба или бука, являются канцерогенными, особенно в сочетании с добавками для пропитки древесины.

Соблюдайте соответствующие законодательные нормы, принятые в стране эксплуатации, при выборе рабочих материалов.

Пылесос должен подходить для материалов, с которыми выполняется работа.

Сбор сухой пыли может быть особенно вредным для здоровья и иметь канцерогенное действие, необходимо использовать пылесос класса М.

В задней части данного инструмента предусмотрено отверстие пылеотвода **13**, пригодное для использования с пылеудаляющим оборудованием, в том числе, с насадками 57/65 мм. Переходник для пылесоса, входящий в комплект

поставки инструмента, предназначен для пылеудаляющих насадок диаметром 34-40 мм.

На узле защитного кожуха диска также предусмотрено отверстие пылеотвода **14** для насадок 35 мм и системы AirLock.

- ПВо время операций по пилению всегда подключайте пылесос, разработанный в соответствии с действующими нормативами, касающимися выбросов пыли.
- Убедитесь, что шланг пылесоса подходит для применения с учетом распиливаемого материала. Убедитесь, что шланг проходит соответствующее техническое обслуживание.
- Для подсоединения одного пылесоса к обоим отверстиям имеется разделительное устройство.
- Имейте в виду, что искусственные материалы, такие как древесностружечные плиты или ДВП, создают больше частиц пыли во время пиления, чем натуральная древесина.

Хранение (Рис. А, 0)

1. Закрепите толкатель **20** на направляющей.
2. Снимите узел защитного кожуха диска **11**. См. раздел «Установка/снятие узла защитного кожуха/расклинивающего ножа». Поместите узел защитного кожуха в держатель, как показано на рисунке, и поверните фиксатор на 1/4 оборота, чтобы закрепить узел защитного кожуха на месте.
3. Вдвиньте гаечные ключи **19** закрытыми концами в захват и закрепите их на месте при помощи барашковой гайки.
4. Вставьте направляющую планку углового упора **10** в карман до упора.
5. Снимите расклинивающий нож для несковозной пиления **21**. См. раздел «Установка/снятие узла защитного кожуха/расклинивающего ножа». Установите расклинивающий нож для несковозной распиловки в держатель, как показано на изображении, затем поверните ручку блокировки на 1/4, чтобы зафиксировать его на месте. Расклинивающий нож для несковозной распиловки также можно хранить в обычном положении хранения.
6. Для хранения направляющей **16**, сложите опору для заготовки в специальном отсеке для хранения. Снимите направляющую с рельсы. Снова установите направляющую в перевернутом положении с левой стороны пилы. Поверните затворы, фиксируя направляющую.
7. Поворачивайте колесо регулировки высоты пильного диска **6** в направлении против часовой стрелки, пока зубья диска не окажутся ниже распиловочного стола **1**.
8. Намотайте сетевой кабель на держатель кабеля **23**.

Транспортировка (рис. А)

- Выключите инструмент и отсоедините его от сети.
- Намотайте сетевой кабель на держатель кабеля **23**.
- Удалите все принадлежности, которые не могут быть надежно закреплены на пиле.

- Вдвиньте опору для заготовки.
- Всегда переносите инструмент, используя ручки для переноски **12**.

! **ОСТОРОЖНО:** Всегда переносите инструмент с установленным верхним защитным кожухом пильного диска.

ТЕХНИЧЕСКОЕ ОБСЛУЖИВАНИЕ

Электроинструмент DEWALT имеет длительный срок эксплуатации и требует минимальных затрат на техобслуживание. Для длительной безотказной работы необходимо обеспечить правильный уход за инструментом и его регулярную очистку.

! **ВНИМАНИЕ:** Чтобы снизить риск получения серьезных травм, выключайте инструмент и отключайте его от сети перед тем, как выполнять какие-либо настройки или снимать/устанавливать насадки или принадлежности. Убедитесь, что курковый переключатель находится в положении Вкл. Непреднамеренный запуск инструмента может привести к получению травмы.



Смазка (Рис. P)

Двигатель и подшипники не требуют дополнительной смазки. При затрудненном подъеме и опускании пильного диска, почистите и нанесите смазку на регулирующие высоту винты:

1. отключите пилу от источника питания;
2. положите пилу набок;
3. почистите и нанесите смазку на резьбу регулирующих высоту винтов **44** с обратной стороны пилы, как показано на рисунке P. Используйте смазку общего назначения.



Чистка (Рис. A, Q)

! **ОСТОРОЖНО:** Выдувайте грязь и пыль из корпуса сухим сжатым воздухом по мере видимого скопления грязи внутри и вокруг вентиляционных отверстий. Надевайте защитные очки и пылезащитную маску при выполнении этих работ.

! **ОСТОРОЖНО:** Никогда не пользуйтесь растворителями или другими сильнодействующими химическими веществами для чистки неметаллических частей инструмента. Эти химикаты могут повредить структуру материала, используемого для производства таких деталей. Используйте ткань, смоченную в мягком мыльном растворе. Не допускайте попадания какой-либо жидкости внутрь инструмента и ни в коем случае не погружайте какую-либо часть инструмента в жидкость.

! **ОСТОРОЖНО:** Чтобы снизить риск получения травмы, регулярно очищайте верхнюю часть стола и вентиляционные прорези.

! **ОСТОРОЖНО:** Чтобы снизить риск получения травмы, регулярно очищайте систему для сбора пыли.

! **ОСТОРОЖНО:** Для снижения риска получения серьезных травм, не используйте пилу без установки крышки доступа удаления пыли.

Перед использованием пилы узел защитного кожуха диска **11** и пластина для пропила должны быть установлены на свое место.

Перед эксплуатацией инструмента внимательно осмотрите верхний и нижний защитный кожух диска, а также трубу пылеудаления, чтобы убедиться, что они функционируют должным образом. Убедитесь, что опилки, пыль или обрезки заготовки не блокируют какие-либо устройства.

При застревании фрагментов заготовки между пильным диском и защитными кожухами, отключите инструмент от источника питания и следуйте инструкциям, приведенным в разделе «Установка пильного диска». Удалите застрявшие частицы и установите на место пильный диск.

Следите за тем, чтобы вентиляционные прорези инструмента оставались чистыми и регулярно протирайте его корпус мягкой тканью.

Регулярно прочищайте систему пылеудаления:

1. Положите пилу набок, нижней открытой частью к себе.
2. Откройте дверцу пылесборного отсека **45** изображенную на Рисунке Q, отвинтив два винта **46** и сняв дверцу. Удалите пыль и установите дверцу на место, затянув винты.

Дополнительные принадлежности

! **ВНИМАНИЕ:** Поскольку принадлежности, отличные от тех, которые предлагает DEWALT, не проходили тесты на данном изделии, то использование этих принадлежностей может привести к опасной ситуации. Во избежание риска получения травмы, с данным продуктом должны использоваться только рекомендованные DEWALT дополнительные принадлежности.

По вопросу приобретения дополнительных принадлежностей обращайтесь к Вашему дилеру.

Замените изношенный защитный кожух диска. Свяжитесь с местным сервисным центром DEWALT для получения подробной информации о замене защитного кожуха диска.

ПИЛЬНЫЕ ДИСКИ: ВСЕГДА ИСПОЛЬЗУЙТЕ 210 мм пильные диски со сниженным уровнем шума и с посадочным отверстием диаметром 30 мм. Скорость вращения диска должна быть не менее 6000 об/мин. Никогда не используйте диски меньшего диаметра. Они не будут надежно закрываться защитным кожухом.

ОПИСАНИЕ ПИЛЬНЫХ ДИСКОВ		
Применение	Диаметр	Зубья
Пильные диски по строительным материалам <i>(быстрая продольная распиловка)</i>		
Универсальное	210 мм	24
Точные поперечные распилы	210 мм	40
Пильные диски по дереву <i>(гладкий, чистый рез)</i>		
Точные поперечные распилы	210 мм	60

Защита окружающей среды



Отдельная утилизация. Изделия с данным символом на маркировке запрещается утилизировать с обычными бытовыми отходами.

Изделия содержат материалы, которые могут быть извлечены или переработаны, снижая потребность в исходном сырье. Пожалуйста, утилизируйте электрические изделия в соответствии с местными нормами. Дополнительная информация доступна по адресу www.2helpU.com.



Приложение к руководству по эксплуатации электрооборудования для определения месяца производства по номеру текущей календарной недели года

Электрооборудование торговых марок "Dewalt", "Stanley", "Stanley FatMAX", "BLACK+DECKER".

Директивы 2014/30/EU ЕВРОПЕЙСКОГО ПАРЛАМЕНТА И СОВЕТА от 26 февраля 2014 г. "О гармонизации законодательства Государств-членов ЕС в области электромагнитной совместимости", 2006/42/ЕС ЕВРОПЕЙСКОГО ПАРЛАМЕНТА И СОВЕТА от 17 мая 2006 г. "О машинах и оборудовании"; 2014/35/EU ЕВРОПЕЙСКОГО ПАРЛАМЕНТА И СОВЕТА от 26 февраля 2014 г. "О гармонизации законодательства государств-членов в области размещения на рынке электрооборудования, предназначенного для использования в определенных пределах напряжения". Серийный выпуск.

ТОВАР СЕРТИФИЦИРОВАН

Орган по сертификации "РОСТЕСТ- Москва",
Адрес: 119049, г. Москва, улица Житная, д. 14, стр. 1; 117418, Москва, Нахимовский просп., 31 (фактический),
Телефон: (499) 1292311, (495) 6682893, Факс: (495) 6682893,
E-mail: office@rostest.ru
Изготовитель: Изготовитель: Блэк энд Деккер Холдингс ГмбХ,
Германия, 65510, Идштайн, ул. Блэк энд Деккер, 40,
тел. +496126212790.

Уполномоченное изготовителем юр.лицо:

ООО "Стэнли Блэк энд Деккер", 117485, город Москва, улица Обручева, дом 30/1, строение 2
Телефон: + 7 (495) 258-3981, факс: + 7 (495) 258-3984,
E-mail: inbox@dewalt.com
Сведения о импортере указаны в сопроводительной документации и/или на упаковке

Хранение.

Необходимо хранить в сухом месте, вдали от источников повышенных температур и воздействия солнечных лучей. При хранении необходимо избегать резкого перепада температур. Хранение без упаковки не допускается

Срок службы.

Срок службы изделия составляет 5 лет. Не рекомендуется к эксплуатации по истечении 5 лет хранения с даты изготовления без предварительной проверки.

Дата изготовления (код даты) указана на корпусе инструмента/продукции.

Код даты, который также включает год изготовления, отштампован на поверхности корпуса изделия.

Пример:

2014 46 XX, где 2014 –год изготовления, 46-неделя изготовления. Определить месяц изготовления по указанной неделе изготовления можно согласно приведенной ниже таблице.

Транспортировка.

Категорически не допускается падение и любые механические воздействия на упаковку при транспортировке. При разгрузке/погрузке не допускается использование любого вида техники, работающей по принципу зажима упаковки.

Перечень критических отказов, возможные ошибочные действия персонала.

Не допускается эксплуатация изделия:

- При появлении дыма из корпуса изделия
- При поврежденном и/или оголенном сетевом кабеле
- При повреждении корпуса изделия, защитного кожуха, рукоятки
- При попадании жидкости в корпус
- При возникновении сильной вибрации
- При возникновении сильного искрения внутри корпуса

Критерии предельных состояний.

- При поврежденном и/или оголенном сетевом кабеле
- При повреждении корпуса изделия

Месяц	Январь	Февраль	Март	Апрель	Май	Июнь	Июль	Август	Сентябрь	Октябрь	Ноябрь	Декабрь	Год производства
Неделя	1	5	9	14	18	23	27	31	36	40	44	49	2018
	2	6	10	15	19	24	28	32	37	41	45	50	
	3	7	11	16	20	25	29	33	38	42	46	51	
	4	8	12	17	21	26	30	34	39	43	47	52	
			13		22			35			48		
Неделя	1	6	10	14	18	23	27	31	36	40	45	49	2019
	2	7	11	15	19	24	28	32	37	41	46	50	
	3	8	12	16	20	25	29	33	38	42	47	51	
	4	9	13	17	21	26	30	34	39	43	48	52	
	5				22			35		44			
Неделя	1	6	10	14	19	23	27	32	36	40	45	49	2020
	2	7	11	15	20	24	28	33	37	41	46	50	
	3	8	12	16	21	25	29	34	38	42	47	51	
	4	9	13	17	22	26	30	35	39	43	48	52	
	5			18			31			44			
Неделя	2	6	10	14	19	23	27	32	36	41	45	49	2021
	3	7	11	15	20	24	28	33	37	42	46	50	
	4	8	12	16	21	25	29	34	38	43	47	51	
	5	9	13	17	22	26	30	35	39	44	48	52	
				18			31		40			1	
Неделя	2	6	10	15	19	23	28	32	36	41	45	49	2022
	3	7	11	16	20	24	29	33	37	42	46	50	
	4	8	12	17	21	25	30	34	38	43	47	51	
	5	9	13	18	22	26	31	35	39	44	48	52	
			14		27			40			1		



DEWALT®

3 ГОДА ГАРАНТИИ

ГАРАНТИЙНЫЕ УСЛОВИЯ

Уважаемый покупатель!

1. Поздравляем Вас с покупкой высококачественного изделия DEWALT и выражаем признательность за Ваш выбор.
 2. При покупке изделия требуйте проверки его комплектности и исправности в Вашем присутствии. В комплекте с инструментом должна быть инструкция по эксплуатации и гарантийные условия производителя на русском языке. Сохраняйте на весь срок гарантии Ваш документ, удостоверяющий факт покупки изделия. Убедитесь, что в чеке указаны: фискальный номер чека, модель/наименование изделия, дата продажи и название торговой организации.
 3. Во избежание недоразумений убедительно просим Вас перед началом работы с изделием внимательно ознакомиться с инструкцией по его эксплуатации. Правовой основой настоящих гарантийных условий является действующее Законодательство. Гарантийный срок на данное изделие составляет 36 месяцев и исчисляется со дня продажи. В случае устранения недостатков изделия гарантийный срок продлевается на период его нахождения в ремонте. Срок службы изделия составляет 5 лет со дня продажи.
 4. В случае возникновения каких-либо проблем в процессе эксплуатации изделия рекомендуем Вам обращаться только в уполномоченные сервисные центры DEWALT, адреса и телефоны которых Вы сможете найти на сайте www.2helpU.com или узнать в магазине. Наши сервисные станции это не только квалифицированный ремонт, но и широкий ассортимент запчастей и принадлежностей.
 5. Производитель рекомендует проводить периодическую проверку и техническое обслуживание изделия в уполномоченных сервисных центрах.
 6. Наши гарантийные обязательства распространяются только на неисправности, выявленные в течение гарантийного срока и вызванные дефектами материалов или сборки изделия.
- 7. Гарантийные условия не распространяются на неисправности изделия, возникшие в результате:**
- 7.1. Несоблюдения пользователем предписаний инструкции по эксплуатации изделия, применения изделия не по назначению, неправильном хранении, использования принадлежностей, расходных материалов и запчастей, не предусмотренных производителем.
 - 7.2. Механического повреждения (сколы, трещины и разрушения) внутренних и внешних деталей изделия, основных и вспомогательных рукояток, сетевого электрического кабеля, вызванного внешним ударным или любым иным воздействием.



ОБЯЗАТЕЛЬНО СОХРАНЯЙТЕ КАССОВЫЙ ЧЕК

- 7.3. Попадания в вентиляционные отверстия и проникновение внутрь изделия посторонних предметов, материалов или веществ, не являющихся отходами, сопровождающими применением изделия по назначению, такими как: стружка, опилки, песок, и пр.
- 7.4. Воздействия на изделие неблагоприятных атмосферных и иных внешних факторов, таких как дождь, снег, повышенная влажность, нагрев, агрессивные среды, несоответствие параметров питающей электросети, указанных на инструменте.
- 7.5. Стихийного бедствия. Повреждение или утрата изделия, связанное с непредвиденными бедствиями, стихийными явлениями, в том числе вследствие действия непреодолимой силы (пожар, молния, потоп и другие природные явления), а также вследствие перепадов напряжения в электросети и другими причинами, которые находятся вне контроля производителя.

8. Гарантийные условия не распространяются:

- 8.1. На инструменты, подвергавшиеся вскрытию, ремонту или модификации вне уполномоченного сервисного центра.
- 8.2. На детали и узлы, имеющие следы естественного износа, такие как: приводные ремни и колеса, угольные щетки, смазка, подшипники, зубчатое зацепление редукторов, резиновые уплотнения, сальники, направляющие ролики, муфты сцепления, бойки, толкатели, стволы, и т.п.
- 8.3. На сменные и расходные части: цанги, зажимные гайки и фланцы, фильтры, ножи, шлифовальные подошвы, цепи, звездочки, пыльные шины, защитные кожухи, пилки, абразивы, пыльные и абразивные диски, фрезы, сверла, буры и т.п.
- 8.4. На неисправности, возникшие в результате перегрузки инструмента (как механической, так и электрической), повлекшей выход из строя одновременно двух и более деталей и узлов, таких как ротора и статора, обеих обмоток статора, ведомой и ведущей шестерни редуктора или других узлов и деталей. К безусловным признакам перегрузки изделия относятся, помимо прочего: появление цветов побежалости, деформация или оплавление деталей и узлов изделия, потемнение или обугливание изоляции проводов электродвигателя под воздействием высокой температуры.



Горячая линия

8-800-1000-876

Актуальную информацию об обслуживании в интересующем вас городе вы можете узнать на сайте service.dewalt.ru

- Список авторизованных сервисных центров
- Поиск ближайшего сервисного центра
- Руководство по эксплуатации
- Технические характеристики
- Список деталей и запасных частей
- Схема сборки инструмента

ГАРАНТИЙНОЕ ОБСЛУЖИВАНИЕ

С БЕСПЛАТНОЙ ДОСТАВКОЙ

Теперь вы можете сдать инструмент в сервис, даже если его нет в вашем городе.

Скачать/распечатать инструкцию с сайта

service.dewalt.ru



Отметки о проведении сервисного обслуживания

№1	№2	№3	№4
№ заказа	№ заказа	№ заказа	№ заказа
Дата поступления	Дата поступления	Дата поступления	Дата поступления
Дата ремонта	Дата ремонта	Дата ремонта	Дата ремонта
Печать и подпись сервисного центра	Печать и подпись сервисного центра	Печать и подпись сервисного центра	Печать и подпись сервисного центра



ПОДАРОК ЗА ОТЗЫВ*

- 1 Зарегистрируйся на my.dewalt.ru
- 2 Напиши отзыв о покупке
- 3 Получи подарок**



*Акция проводится на территории Российской Федерации. Подробные условия акции указаны на my.dewalt.ru

** Подарок может отличаться от изображенного, актуальный перечень см. на my.dewalt.ru

TEZGAH TİPİ TESTERE

DWE7485

Tebrikler!

Bir DEWALT aleti seçtiniz. Uzun süreli deneyim, sürekli ürün geliştirme ve yenilik DEWALT markasının profesyonel elektrikli alet kullanıcıları için en güvenilir ortaklardan birisi haline gelmesini sağlamaktadır.

Teknik Özellikleri

		DWE7485
Voltaaj	V _{DC}	230
Tip		1
Anma giriş gücü	W	1850
Yüksüz hız	min ⁻¹	5800
Bıçak çapı	mm	210
Bıçak deliği	mm	30
Bıçak kanalı	mm	1,8
Bıçak et kalınlığı	mm	1,3
Yarma bıçağı kalınlığı	mm	1,6
90°'de kesme derinliği	mm	65
45°'de eğik kesme derinliği	mm	45
Yarma kapasitesi (Bıçağın sağ tarafı)	mm	622,3
Yarma kapasitesi (Bıçağın sol tarafı)	mm	318
Çalışma yüzeyi ebatları	mm	485 x 485
Genel boyutlar	mm	605 x 605 x 330
Ağırlık	kg	22
Ebu standart uyarınca gürültü ve/veya titreşim değerleri (triaks vektör toplamı): EN 62841-1-2015		
L _{PA} (ses basıncı düzeyi)	dB(A)	90
L _{WA} (akustik güç düzeyi)	dB(A)	107
K (akustik gücü belirsizliği)	dB(A)	3

Bu bilgi sayfasında verilen titreşim ve/veya gürültü emisyonu düzeyi, EN62841'de belirtilen standart teste uygun olarak ölçülmüştür ve aletleri birbiriyle karşılaştırmak için kullanılabilir. Maruz kalmaya dönük bir ön değerlendirme olarak kullanılabilir.

UYARI: *Beyan edilen titreşim ve/veya gürültü emisyon düzeyi, aletin ana uygulamalarını yansıtır. Bununla birlikte alet farklı uygulamalar için, farklı aksesuarlar veya yeterince bakım yapılmadan kullanıldığında, titreşim ve/veya gürültü emisyonu değişebilir. Bu, toplam çalışma süresindeki maruz kalma seviyesini önemli ölçüde artırabilir.*

Titreşim ve/veya gürültü maruz kalma seviyesine ilişkin bir tahminde bulunurken aletin kapalı kaldığı veya çalıştığı ancak gerçekte işi yapmadığı zamanlar da dikkate alınmalıdır. Bu, toplam çalışma süresindeki maruziyet düzeyini önemli ölçüde azaltabilir.

Operatörü titreşim ve/veya gürültünün etkilerinden korumak için aşağıdakiler gibi ilave güvenlik önlemleri tanımlayın: aleti ve aksesuarları iyi koruyun, ellerinizi sıcak tutun (titreşim için uygundur), çalışma sürelerini iyi organize edin.

AT Uygunluk Beyanları

Makine Direktifi



Tezgaah Tipi Testere DWE7485

DEWALT, **Teknik Özellikleri** bölümünde açıklanan bu ürünlerin aşağıda belirtilen yönelere uygun olduğunu beyan eder: 2006/42/AT, EN62841-1:2015+AC:2015, EN62841-3-1:2014+AC:2015 + A11:2017.

Bu ürünler ayrıca 2014/30/EU ve 2011/65/EU Direktiflerine de uygundur. Daha ayrıntılı bilgi için, lütfen aşağıdaki adresten DEWALT ile temas kurun veya kılavuzun arka kapağına bakın. Bu belge altında imzası bulunan yetkili, teknik dosyanın derlenmesinden sorumludur ve bu beyanı DEWALT adına vermiştir.

Markus Rompel
PTE-Avrupa, Mühendislik Birimi Genel Müdür Yardımcısı
DEWALT, Richard-Kllinger-Straße 11,
D-65510, Idstein, Almanya
09.08.2019



UYARI: Yaralanma riskini azaltmak için, kullanım kılavuzunu okuyun.

Tanımlar: Güvenlik Talimatları

Aşağıdaki tanımlar her işaret sözcüğü ciddiyet derecesini gösterir. Lütfen kılavuzu okuyunuz ve bu simgelere dikkat ediniz.



TEHLİKE: Engellenmemesi halinde **ölüm veya ciddi yaralanma** ile sonuçlanabilecek **çok yakın bir tehlikeli durumu** gösterir.



UYARI: Engellenmemesi halinde **ölüm veya ciddi yaralanma** ile sonuçlanabilecek **potansiyel bir tehlikeli durumu** gösterir.



DİKKAT: Engellenmemesi halinde **önemsiz veya orta dereceli yaralanma** ile sonuçlanabilecek **potansiyel bir tehlikeli durumu** gösterir.

İKAZ: Engellenmemesi halinde **maddi hasara neden olabilecek, yaralanma ile ilişkisi olmayan durumları** gösterir.



Elektrik çarpması riskini belirtir.



Yangın riskini belirtir.

ELEKTRİKLİ EL ALETLERİ İÇİN GENEL GÜVENLİK TALİMATLARI



UYARI: Bu elektrikli aletle verilen tüm güvenlik uyarılarını, talimatları, resimleri ve teknik özellikleri okuyun. Aşağıda listelenen tüm talimatlara uyulmaması elektrik çarpmasına, yangına ve/veya ciddi yaralanmalara neden olabilir.

BÜTÜN UYARI VE GÜVENLİK TALİMATLARINI İLERİDE BAKMAK ÜZERE SAKLAYIN

Uyarılarda yer alan «elektrikli alet» terimi şebeke elektriğiyle (kablolu) veya akü/pille (şarjlı) çalışan elektrikli aletinizi ifade etmektedir.

1) Çalışma alanının Güvenliği

- Çalışma alanını temiz ve aydınlık tutun.** Karışık ve karanlık alanlar kazaya davetiye çıkarır.
- Elektrikli aletleri, yanıcı sıvılar, gazlar ve tozların bulunduğu yerler gibi yanıcı ortamlarda çalıştırmayın.** Elektrikli aletler, toz veya dumanları ateşleyebilecek kıvılcıklar çıkarır.
- Bir elektrikli aleti çalıştırırken çocuklardan ve etraftaki kişilerden uzak tutun.** Dikkatinizi dağıtıcı şeyler kontrolü kaybetmenize neden olabilir.

2) Elektrik Güvenliği

- Elektrikli aletlerin fişleri prizlere uygun olmalıdır.** Fiş üzerinde kesinlikle hiçbir değişiklik yapmayın. Topraklı elektrikli aletlerde hiçbir adaptör fişi kullanmayın. Değiştirilmemiş fişler ve uygun prizler elektrik çarpması riskini azaltacaktır.
- Borular, radyatörler, ocaklar ve buzdolapları gibi topraklanmamış yüzeylerle vücut temasından kaçının.** Vücudunuzun topraklanması halinde yüksek bir elektrik çarpması riski vardır.
- Elektrikli aletleri yağmura maruz bırakmayın veya ıslatmayın.** Elektrikli alete su girmesi elektrik çarpması riskini arttıracaktır.
- Elektrik kablosunu uygun olmayan amaçlarla kullanmayın.** Elektrikli aleti kesinlikle kablosundan tutarak taşımayın, çekmeyin veya prizden çıkartmayın. Kabloyu sıcaktan, yağdan, keskin kenarlardan veya hareketli parçalardan uzak tutun. Hasarlı veya dolanmış kablolar elektrik çarpması riskini artırır.
- Elektrikli bir aleti açık havada çalıştırıyorsanız, açık havada kullanıma uygun bir uzatma kablosu kullanın.** Açık havada kullanıma uygun bir kablolu kullanılması elektrik çarpması riskini azaltır.
- Eğer bir elektrikli aletin nemli bir bölgede çalıştırılması zorunluysa, bir artık akım aygıtı (RCD) korumalı bir kaynak kullanın.** Bir RCD kullanılması elektrik şoku riskini azaltır.

3) Kişisel Güvenlik

- Elektrikli bir aleti kullanırken her zaman dikkatli olun, yaptığınız işe yoğunlaşın ve sağduyulu davranın.** Elektrikli bir aleti yorgunken veya ilaç ya da alkolün etkisi altındayken kullanmayın. Elektrikli aletleri kullanırken bir anlık dikkatsizlik ciddi kişisel yaralanmayla sonuçlanabilir.
- Kişisel koruyucu ekipmanları mutlaka kullanın. Daima koruyucu gözlük takın.** Koşullara uygun toz maskesi, kaymayan güvenlik ayakkabıları, baret veya kulaklık gibi koruyucu donanımların kullanılması kişisel yaralanmaları azaltacaktır.
- İstem dışı çalıştırılmasını önleyin. Aleti güç kaynağına ve/veya aküye bağlamadan, yerden kaldırmadan veya taşımadan önce düğmenin kapalı konumunda olduğundan emin olun.** Aleti, parmağınız düğme üzerinde bulunacak şekilde taşımak veya açık konumdaki elektrikli aletleri elektrik şebekesine bağlamak kazaya davetiye çıkarır.
- Elektrikli aleti açmadan önce tüm ayarlama anahtarlarını çıkartın.** Elektrikli aletin hareketli bir parçasına takılı kalmış bir anahtar kişisel yaralanmaya neden olabilir.
- Ulaşmakta zorlandığınız yerlerde kullanmayın. Daima sağlam ve dengeli basın.** Bu, beklenmedik durumlarda elektrikli aletin daha iyi kontrol edilmesine olanak tanır.
- Uygun şekilde giyinin. Bol elbiseler giymeyin ve takı takmayın. Saçınızı, elbiselerinizi ve eldivenlerinizi hareketli parçalardan uzak tutun.** Bol elbiseler ve takılar veya uzun saç hareketli parçalara takılabilir.
- Eğer kullandığınız üründe toz emme ve toplama özellikleri olan ataşmanlar varsa bunların bağlı olduğundan ve doğru şekilde kullanıldığından emin olun.** Bu ataşmanların kullanılması toza ilgili tehlikeleri azaltabilir.
- Aletlerin sık kullanımı sonucu oluşan aşınalığı keyfi davranışta bulunmanıza ve aletle ilgili güvenlik ilkeleri ihmal etmenize neden olmasına izin vermeyin.** Dikkatsiz bir hareket bir anda ciddi yaralanmalara neden olabilir.

4) Elektrikli Aletlerin Kullanımı ve Bakımı

- Elektrikli aleti zorlamayın. Uygulamanız için doğru elektrikli aleti kullanın.** Doğru elektrikli alet, belirlendiği kapasite ayarında kullanıldığında daha iyi ve güvenli çalışacaktır.
- Düğme açmıyor ve kapatmıyorsa elektrikli aleti kullanmayın.** Düğmeyle kontrol edilemeyen tüm elektrikli aletler tehlikelidir ve tamir edilmesi gerekmektedir.
- Herhangi bir ayar, aksesuar değişimi veya elektrikli aletlerin saklanması öncesinde fişi güç kaynağından çekin ve/veya eğer demonte edilebilir tipteyse, bataryayı aletten ayırın.** Bu tür önleyici güvenlik

tedbirleri elektrikli aletin istem dışı olarak çalıştırılması riskini azaltacaktır.

- d) **Elektrikli aleti, çocukların ulaşamayacağı yerlerde saklayın ve elektrikli aleti tanımayan veya bu talimatları bilmeyen kişilerin elektrikli aleti kullanımına izin vermeyin.** Elektrikli aletler, eğitimsiz kullanıcıların elinde tehlikelidir.
- e) **Elektrikli aletleri iyi durumda muhafaza edin. Hareketli parçalardaki hizalama hatalarını ve tutuklukları, parçalardaki kırılmalar ve elektrikli aletin çalışmasını etkileyebilecek tüm diğer koşulları kontrol edin. Hasarlı ise, elektrikli aleti kullanmadan önce tamir ettirin.** Kazalının çoğu, elektrikli aletlerin bakımının yeterli şekilde yapılmamasından kaynaklanır.
- f) **Kesim aletlerini keskin ve temiz tutun.** Bakımı uygun şekilde yapılmış keskin kesim uçlu kesim aletlerinin sıkışma ihtimali daha düşüktür ve kontrol edilmesi daha kolaydır.
- g) **Elektrikli aleti, aksesuarlarını ve aletin diğer parçalarını kullanırken bu talimatlara mutlaka uyun ve çalışma ortamının koşullarını ve yapılacak işin ne olduğunu göz önünde bulundurun.** Elektrikli aletin öngörülen işlemler dışındaki işlemler için kullanılması tehlikeli durumlara neden olabilir.
- h) **Tüm tutamakları ve tutma yerlerini kuru, temiz ve üzerinde yağ ile gres bulunmayacak şekilde muhafaza edin.** Kaygan tutamaklar ve tutma yerleri, beklenmedik durumlarda aletin güvenli bir şekilde tutulması ve kontrol edilmesine izin vermez.

5) Servis

- a) **Elektrikli aletinizi, sadece orijinal yedek parçaların kullanıldığı yetkili DEWALT servisine tamir ettirin.** Bu, elektrikli aletin güvenliğinin muhafaza edilmesini sağlayacaktır.

Tezgah Tipi Testereleler için Güvenlik Talimatları

1) Siperle İlgili Uyarılar

- a) **Siperleri yerinde muhafaza edin. Siperler çalışır durumda ve doğru şekilde monte edilmiş olmalıdır.** Gevşemiş, hasar görmüş veya doğru şekilde işlev göstermeyen bir siper onarılmalı veya değiştirilmelidir.
- b) **Her türlü düz kesim uygulaması için testere bıçağı siperi, yarma bıçağına daima kullanın.** Testere bıçağının iş parçasının kalınlığı boyunca komple kesim yaptığı düz kesim işlemlerinde siper ve diğer güvenlik düzenekleri yaralanma riskini azaltmaya yardımcı olur.
- c) **Siper veya yarma bıçağının çıkartılmasını gerektiren bir işlemin (örn. kanal açma veya tekrar kesim işlemleri) tamamlanmasının ardından koruma sistemini derhal yeniden takın.** Siper ve yarma bıçağı yaralanma riskini azaltmaya yardımcı olur.
- d) **Testere bıçağının düğme açık konuma getirilmeden önce siper, yarma bıçağı veya iş parçasına temas etmediğinden emin olun.** Bu bahsedilenlerin testere

bıçağıyla yanlışlıkla temas etmesi tehlikeli bir duruma neden olabilir.

- e) **Yarma bıçağını bu talimat kılavuzunda anlatılan şekilde ayarlayın.** Hatalı boşluk verme, konumlandırma ve hizalama, yarma bıçağının geri tepmeyi azaltmada yetersiz olmasına neden olabilir.
- f) **Yarma bıçağının çalışması için, bunların iş parçasına temas etmesi gerekir. Yarma bıçağı, bıçağın temas etmesi için çok kısa mesafede olan iş parçalarının kesimi sırasında işlevsiz kalır.** Bu tür koşullarda bir geri tepme yarma bıçağı tarafından önlenemez.
- g) **Yarma bıçağı için uygun testere bıçağını kullanın.** Yarma bıçağının işlev göstermesi için testere bıçağının çapı uygun yarma bıçağıyla eşit, testere bıçağının gövdesi yarma bıçağından ince ve testere bıçağı kesme genişliği yarma bıçağının kalınlığına göre daha geniş olmalıdır.

2) Kesim Prosedürü Uyarıları

- a) **⚠ TEHLİKE: Parmak veya ellerinizi testere bıçağının yakınına veya kesim hattına doğru kesinlikle koymayın.** Bir anlık dikkatsizlik veya kayma ellerinizin testere bıçağına yönelmesine ve ciddi yaralanmaların meydana gelmesine neden olabilir.
- b) **İş parçasını testere bıçağına sadece dönme yönünün tersine doğru besleyin.** İş parçasının tezgahın üzerinde dönen testere bıçağıyla aynı yönde beslenmesi iş parçasının ve elinizin testere bıçağına doğru çekilmesine neden olabilir.
- c) **Yarma işlemi sırasında iş parçasını beslemek için kesinlikle gönye göstergesi kullanmayın ve gönye göstergesi ile çapraz kesim sırasında bir uzunluk durdurma olarak yarma korkuluğunu kullanmayın.** İş parçasının yarma korkuluğu ve gönye göstergesi ile aynı anda yönlendirilmesi bıçak sarması ve geri tepme ihtimalini artırır.
- d) **Yarma sırasında, iş parçası besleme gücünü daima korkuluk ve testere bıçağı arasında uygulayın. Korkuluk ve testere bıçağı arasındaki mesafe 150 mm'den az olduğunda bir itme çubuğu ve bu mesafe 50 mm'den az olduğunda bir itme bloğu kullanın.** "İşe yardımcı" cihazlar elinizi testere bıçağından güvenli bir mesafede tutmanızı sağlar.
- e) **Sadece üretici firma tarafından üretilmiş veya talimatlara uygun şekilde yapılmış itme çubuğu kullanın.** Bu itme çubuğu ellerinizle testere bıçağı arasında yeterli bir mesafe sağlar.
- f) **Asla hasarlı veya kesilmiş bir itme çubuğu kullanmayın.** Hasarlı bir itme çubuğu kırılarak ellerinizin testere bıçağına kaymasına neden olabilir.
- g) **Hiç bir işlemi "serbest el modunda" yapmayın. İş parçasını yerleştirmek ve yönlendirmek için yarma korkuluğu veya gönye göstergesi kullanın.** "Serbest el" iş parçasını desteklemek veya yönlendirmek için bir yarma korkuluğu veya gönye göstergesi yerine ellerin kullanılması anlamına gelmektedir. Serbest elle kesim hizalama hataları, bıçak sarması ve geri tepmeye neden olur.

- h) **Kesinlikle dönen testere bıçağının etrafı veya üzerinde uzanmayın.** Bir iş parçasına bu şekilde ulaşılmaya çalışılması kaza sonucu hareketli testere bıçağına temasa yol açabilir.
- i) **Uzun ve/veya geniş iş parçalarında eşit seviyeyi korumak için testere tezgahının arka ve/veya kenarlarına ilave iş parçası desteği sağlayın.** Uzun ve/veya geniş bir iş parçası kontrol kaybı, testere bıçağının sarması ve geri tepmeye neden olacak şekilde tezgahın kenarında eksen üzerinde dönme eğilimindedir.
- j) **İş parçasını eşit hızla besleyin. İş parçasını bükmeyin veya katlamayın. Sıkışma meydana gelirse aleti derhal kapatın, aletin fişini çekin ve ardından sıkışmayı giderin.** İş parçasında sıkışan testere bıçağı geri tepmeye neden olabilir veya motoru durdurabilir.
- k) **Kesilen malzeme parçalarını testere çalışırken atmaya çalışmayın. Malzeme korkuluk arasında veya testere bıçağı siperinde sıkışabilir ve parmaklarınız testere bıçağına çekilebilir.** Malzemeyi çıkartmadan önce testereyi kapalı konuma getirin ve testere bıçağı tam durana kadar bekleyin.
- l) **2 mm'den kalın iş parçalarında yarma işlemi yaparken tezgahla temas eden bir ilave korkuluk kullanın.** İnce bir iş parçası yarma korkuluğunun altında takılabilir ve bir geri tepme oluşturabilir.

3) Geri Tepme Nedenleri ve İlgili Uyarılar

Geri tepme sıkışmış, takılmış bir testere bıçağı veya testere bıçağıyla iş parçası arasında kesim hattı hizasının uyuşmaması nedeniyle veya iş parçasının bir kısmının testere bıçağı ve yarma korkuluğu veya başka bir sabit nesne arasında sıkışması durumunda iş parçası tarafından verilen ani bir tepkidir.

Daha sık olarak geri tepme sırasında iş parçası testere bıçağının arka kısmı tarafından tezgahın yukarı kaldırılır ve operatöre doğru itilir. Geri tepme, testerenin yanlış kullanılmasından ve/veya hatalı kullanma prosedürü veya şartlarından kaynaklanır ve aşağıda verilen uygun tedbirler alınarak önlenbilir.

- a) **Kesinlikle testere bıçağıyla aynı hatta durmayın. Vücudunuzu daima korkuluk gibi testere bıçağının aynı tarafında konumlandırın.** Geri tepme iş parçasını yüksek bir hızla testere bıçağının önünde ve aynı hattında duran kişilere doğru fırlatabilir.
- b) **İş parçasını çekmek veya desteklemek için asla testere bıçağının üzerinden veya arkasından uzanmaya çalışmayın.** Yanlışlıkla testere bıçağıyla temas meydana gelebilir veya geri tepme nedeniyle parmaklarınız testere bıçağına çekilebilir.
- c) **Kesilen iş parçasını kesinlikle dönen testere bıçağına doğru tutmayın veya bastırmayın.** Kesilen iş parçasının dönen testere bıçağına doğru bastırılması bir bıçak sarması ve geri tepme durumu oluşturur.
- d) **Korkuluğu testere bıçağıyla paralel olacak şekilde hizalayın.** Hatalı hizalanmış bir korkuluk iş parçasını testere bıçağına sıkıştırır ve bir geri tepme oluşturur.
- e) **Kanal açma veya tekrar kesim işlemleri gibi doğrusal olmayan kesikler yaparken iş parçasını tezgaha**

ve korkuluğa yönlendirmek için bir featherboard kullanın. Bir featherboard geri tepme durumunda iş parçasını kontrol etmeyi kolaylaştırır.

- f) **Monte edilen iş parçalarının kör noktalarında kesim yaparken ekstra dikkatli olun.** Çıkıntı yapan testere bıçağı geri tepmeye neden olabilecek nesnelere kesebilir.
- g) **Testere bıçağının sıkışması ve geri tepmesi riskini en aza indirmek için büyük parçaları destekleyin. Büyük parçalar kendi ağırlıklarından dolayı bel vermeye meyillidirler.** Tezgahın üzerine sarkan panelin tüm kısımlarının altına destek(ler) yerleştirilmelidir.
- h) **Bükülmüş, düğümlü, eğilmiş veya bir gönye göstergesi ile veya korkuluk boyunca yönlendirmek için düz bir kanala sahip olmayan iş parçalarını keserken ekstra dikkat edin.** Bükülmüş, düğümlü veya eğilmiş bir iş parçası dengesizdir ve kanalı testere bıçağıyla yanlış hizalanmasına, bıçak sarmasına ve geri tepmeye neden olabilir.
- i) **Dikey veya yatay olarak bir araya getirilmiş, birden fazla iş parçasını kesinlikle kesmeyin.** Testere bıçağı bir veya birden fazla parçayı kaldıracaktır ve geri tepmeye neden olabilir.
- j) **Testereyi, testere bıçağı iş parçasının içinde yeniden çalıştırırken, testere bıçağını kesdiği içinde testere dişleri malzemeye temas etmeyecek şekilde ortalayın.** Testere bıçağı sıkışır, yeniden çalıştırıldığında iş parçası yukarı kalkabilir ve geri tepmeye neden olabilir.
- k) **Testere bıçaklarını temiz, keskin ve uygun şekilde ayarlanmış olarak muhafaza edin. Bükülmüş veya çatlak ya da kırık dişleri bulunan testere bıçaklarını kesinlikle kullanmayın.** Keskin ve doğru şekilde ayarlanmış testere bıçakları bıçak sarması, takılma ve geri tepmeyi en aza indirir.

4) Tezgah Tipi Testere Çalıştırma Prosedürü Uyarıları

- a) **Tezgah montaj parçası çıkartılırken, testere bıçağı değiştirilirken veya yarma bıçağı ya da bıçak siperi ayarlamaları yapılırken ve o sırada makineyi kontrol eden kimse bulunmadığında tezgah tipi testereyi kapatın ve güç kaynağından ayırın.** Alınacak önlemler kazaların önlenmesini sağlar.
- b) **Tezgah tipi testereyi kesinlikle tek başına çalışır konumda bırakmayın. Aleti kapatın ve tamamen durana kadar aletin başından ayrılmayın.** Kendi başına çalışan bir testere kontrol edilemeyecek bir tehlikeydir.
- c) **Tezgah tipi testereyi ayaklarının iyi ve dengede olduğu düz ve iyi aydınlatmalı yerlere koyun. Tezgah, iş parçasını kolayca ele alabileceğiniz yeterli alan sunan bir yerde kurulmalıdır.** Etrafı dar ve sınırlı, karanlık ve düz olmayan kaygan zeminler kazalara davetiye çıkarır.
- d) **Tezgah testeresinin ve/veya toz toplama düzeneğinin altındaki talaşları düzenli**

olarak temizleyin. Biriken talaş yanıcıdır ve kendi kendine tutuşabilir.

- e) **Tezgah testere sağlam şekilde sabitlenmelidir.** Düzgün sabitlenmeyen bir tezgah tipi testere yerinden oynayabilir veya devrilebilir.
- f) **Tezgah testereyi açık konuma getirmeden önce tezgah üzerindeki aletleri ve ahşap parçalarını vb. kaldırın.** Dikkat dağıtıcı şeyler veya elası bir sıkışma tehlikeli olabilir.
- g) **Her zaman doğru boyut ve şekilde mil deliği olan testere bıçakları (elmasa karşı yuvarlak) kullanın.** Montaj donanımına uygun olmayan testere bıçakları dengersiz çalışıp kontrol kaybına neden olacaktır.
- h) **Flanş, testere bıçağı rondelası, civata veya somun gibi hasar görmüş veya hatalı testere bıçağı montaj elemanlarını kesinlikle kullanmayın.** Bu montaj elemanları özel olarak sizin testereniz için, güvenli çalışacak ve optimum performans gösterecek şekilde tasarlanmıştır.
- i) **Kesinlikle tezgah testeresi üzerinde ayağa kalkmayın, onu bir merdiven gibi kullanmayın.** Bu, alet devrilirse veya kazara kesme aletiyle temas edilirse ciddi yaralanmayla sonuçlanabilir.
- j) **Testere bıçağının doğru yönde dönecek şekilde monte edildiğinden emin olun. Bir tezgah testerede taşlama diski, tel fırça veya aşındırıcı disk kullanmayın.** Doğru olmayan testere bıçağı kurulumu veya önerilmemiş aksesuar kullanımı ciddi yaralanmayla sonuçlanabilir.

Testere Tezgahları için İlave Güvenlik

Talimatları



UYARI: Plastik, ıslak ahşap ve diğer malzemelerin kesilmesi bıçak uçlarında ve testere gövdesinde erimiş materyal birikmesine sebep olur ve bıçağın aşırı ısınması ve kesim esnasında takılma riski artar.

- Bıçakların doğru yönde döndüğünden ve dişlerin testere tezgahının önünü gösterdiğinden emin olun.
- Herhangi bir işleme başlamadan önce tüm kelepçe kollarının sıkı olduğundan emin olun.
- Tüm bıçak ve flanşların temiz ve kelepçe pulunun geniş yüzeyinin bıçağın karşısında olduğundan emin olun. Mil somununun sağlam şekilde sıkın.
- Yarma bıçağının bıçaktan doğru mesafede ayarlandığından emin olun – maksimum 8 mm.
- Üst ve alt siperler yerinde değilken testereyi asla çalıştırmayın.
- Bıçağı hareketliken yağlamayın.
- İtme çubuğunu kullanılmadığında her zaman saklama yerinde bulundurun.
- Siperi tutma veya taşıma için kullanmayın.
- Testere bıçağına yan basınç uygulamayın.
- Asla hafif alaşım kesmeyin. Makine bu tür uygulamalar için tasarlanmamıştır.
- Aşındırıcı disk veya elmasa kesme çarkları kullanmayın.

- Kanal açma, yarma veya oluk açma uygulamalarında kullanılamaz.
- Makinede arıza durumunda, makineyi hemen kapatıp güç kaynağıyla bağlantısını kesin. Arızayı rapor edin ve arızalı makineyi, başkaları tarafından kullanılmaya çalışılmasını önlemek için uygun şekilde işaretleyin.
- Testere bıçağı kesim sırasında anormal parça besleme kuvveti nedeniyle bloke olursa, DAİMA makineyi kapatıp güç kaynağıyla bağlantısını kesin. Üzerinde çalıştığınız parçayı çıkarın ve testere bıçağının rahatça döndüğünden emin olun. Makineyi açın ve daha az parça besleme kuvveti uygulayarak yeni kesim işlemini başlatın
- Kontrolün kaybedilmesine veya geri tepmeye neden olabileceği için gevşek malzeme parçalarından oluşan bir desteyi KESİNLİKLE kesmeyin. Tüm malzemeleri sağlam şekilde destekleyin.
- Bıçak siperinin uygun şekilde yerleştirildiğinden emin olun. Kesim yaparken, daima iş parçasına doğru bakmalıdır.

Testere Bıçakları

- **Teknik Veriler** bölümünde belirtilen boyutlara uymayan testere bıçaklarını kullanmayın. Bıçağın mile uymasını sağlamak için pul kullanmayın. Ahşap veya benzeri malzemeler için kullanılacak yalnızca bu kılavuzda belirtilen ve EN847-1 uyumlu bıçakları kullanın.
- Testere bıçağının maksimum hızı, anma değeri plakası üzerinde belirtilen hıza göre daha yüksek veya en azından o değere eşit olmalıdır.
- Testere bıçağı çapı aletin anma değeri plakasındaki değerlere uygun olmalıdır.
- Özel olarak tasarlanmış gürlütlü azaltıcı bıçakları kullanmayı dikkate alın.
- Yüksek nitelikli çelik (HS) testere bıçaklarını kullanmayın.
- Çatlamış ya da hasarlı testere bıçaklarını kullanmayın.
- Kesilecek malzeme için doğru testere bıçağını seçtiğinizden emin olun.
- Kesme bıçağı ve sert malzeme kullanırken her zaman uygun eldivenleri takın. Testere bıçakları mümkün olan her aşamada bir taşıyıcı içerisine taşınmalıdır.

Diğer riskler

Aşağıdaki riskler testere kullanmanın doğasında vardır:

- dönen parçalara dokunmaktan kaynaklanan yaralanmalar
- İlgili güvenlik düzenlemelerinin uygulanması ve güvenlik cihazlarının kullanılmasına rağmen, bazı risklerden kaçınmak mümkün değildir. Bunlar:
- İşitme kaybı.
- Dönen testere bıçağının kapatılmamış parçalarından kaynaklanan kaza riski.
- Korunmasız ellerle bıçakları değiştirirken yaralanma riski.
- Siperleri açarken parmakların sıkışması riski.
- Ahşap, özellikle meşe, kayın ve MDF keserken ortaya çıkan tozun solunmasından kaynaklanan sağlık tehlikeleri.

Aşağıdaki etmenler gürlütlü üretimini etkilemektedir:

- kesilecek malzeme

TÜRKÇE


- testere bıçağının tipi
- besleme gücü
- makine bakımı

Aşağıdaki etmenler toz miktarını etkilemektedir:

- aşınmış testere bıçağı
- 20 m/sn'den düşük hava hızına sahip toz toplayıcı
- üzerinde çalıştığınız parça tam olarak yerleştirilmemesi

Elektrik Güvenliği

Den elektriska motorn har konstruerats för endast en spänning. Kontrollerna alltid att strömförsörjningen motsvarar spänningen på klassificeringsplattan.

 DEWALT aletinin EN62841 standardına uygun olarak çift yalıtımlıdır; bu nedenle, topraklama kablosuna gerek yoktur.

Elektrik kablosu hasar görürse, yalnızca DEWALT veya yetkili bir servis tarafından değiştirilmelidir.

NOT: Bu cihaz, kullanıcı bağlantı noktasında (elektrik bağlantı kutusu) izin verilen en fazla sistem empedansı $Z_{max} 0,25 \Omega$ olan bir güç kaynağı sistemi ile bağlantı amaçlıdır. Kullanıcı, bu cihazın yalnızca yukarıdaki gerekliliği karşılayan bir güç sistemine bağlandığından emin olmalıdır. Gerekirse, kullanıcı, arabirim noktasındaki sistem empedansını elektrik şirketinden öğrenebilir.

Uzatma Kablolarının Kullanımı

Uzatma kablosu kullanılması gerekiyorsa bu aletin giriş gücüne (**Teknik Özellikleri** bakın) uygun onaylı bir 3 damarlı uzatma kablosu kullanın. Minimum iletken boyutu 1,5 mm²'dir; maksimum uzunluk 30 m'dir.

Bir kablo makarası kullanırken, kabloyu daima sonuna kadar açın.

Ambalaj İçeriği

Ambalaj, aşağıdaki parçaları içermektedir:

- 1 Kısmen monte edilmiş makine
 - 1 Paralel korkuluk düzeneği
 - 1 Gönye korkuluğu
 - 1 Testere bıçağı
 - 1 Üst bıçak siper tertibatı
 - 1 Boğaz plakası
 - 2 Bıçak anahtarları
 - 1 Toz emme adaptörü
 - 1 Kullanım kılavuzu
- Alet, parçalar ve aksesuarlarda nakliye sırasında hasar oluşup oluşmadığını kontrol edin.
 - Çalıştırmadan önce bu kılavuzu iyice okuyup anlamak için zaman ayırın.

Alet Üzerindeki Etiketler

Alet üzerinde, aşağıdaki uyarı sembolleri bulunmaktadır:



Aletle çalışmaya başlamadan önce bu kılavuzu okuyun.



Kulaklık takın.



Koruyucu gözlük takın.



Yüz maskesi kullanın.



Ellerinizi kesme alanından ve bıçaktan uzak tutun.



Taşıma noktası.

Tarih Kodu Konumu (Şek. A)

İmalat yılını da içeren Tarih Kodu **25** gövdeye basılıdır.

Örnek:

2019 XX XX

İmalat Yılı

Açıklama (Şek. A, C)



UYARI: Hiçbir zaman elektrikli aleti veya herhangi bir parçasını değiştirmeyin. Hasarlar veya yaralanmalarla sonuçlanabilir.

- 1 Tabla
- 2 Bıçak
- 3 Kesim ölçeği göstergesi
- 4 İnce ayar düğmesi
- 5 Ray kilit kolu
- 6 Bıçak yüksekliği ayar kolu
- 7 Eğim kilit düğmesi
- 8 Açma/Kapama düzeneği
- 9 Montaj delikleri
- 10 Gönye göstergesi
- 11 Bıçak siper tertibatı
- 12 Taşıma kolu
- 13 Toz toplama portu
- 14 Siper toz toplama portu
- 15 Boğaz plakası
- 16 Paralel Korkuluk
- 17 Korkuluk mandalı
- 18 Dar yarma korkuluğu/destek uzantısı
- 19 Bıçak anahtarları (saklama yeri)
- 20 İtme çubuğu (saklama yeri)
- 21 Yarma bıçağı (doğrudan olmayan kesme) (Şek. C)
- 22 Gönye göstergesi saklama yeri
- 23 Kablo tutucu
- 24 DE7400 braket montaj delikleri

Kullanım Amacı

Tezgaah testereniz, ahşap benzeri ve plastik gibi çeşitli materyallerin profesyonel yarma, çapraz kesim, gönyeleme ve eğim verme işlemleri için tasarlanmıştır.

Islak koşullarda veya yanıcı sıvı ya da gazların mevcut olduğu ortamlarda **KULLANMAYIN**.

Bu tezgaah tipi testere profesyonel kullanım amaçlı bir elektrikli alettir.

Çocukların aleti ellemesine **İZİN VERMEYİN**. Bu alet deneyimsiz kullanıcılar tarafından kullanılırken nezaret edilmelidir.

- Bu ürün fiziksel ve zihinsel kapasitesinin yanı sıra algılama gücü azalmış olan veya yeterince deneyim ve bilgisi bulunmayan kişiler (çocuklar dahil) tarafından kullanılmak üzere üretilmemiştir. Bu tür kişiler ürünü ancak güvenliklerinden sorumlu bir kişi tarafından cihazın kullanımıyla ilgili talimatların verilmesi veya sürekli kontrol altında tutulması durumunda kullanabilir. Çocuklar, bu ürün ile kontrol altında tutulmalıdır.

MONTAJ VE AYARLAMALAR

UYARI: Ciddi yaralanma riskini azaltmak için herhangi bir ayar yapmadan ya da parça veya aksesuarları söküp takmadan önce aleti kapatın ve güç kaynağından ayırın. Aletin yanlışlıkla çalıştırılması yaralanmaya neden olabilir.

Ambalajından Çıkarma

- Testereyi ambalaj materyalinden dikkatli bir şekilde çıkarın.
- Makine, yarma korkuluğu, gönye göstergesi, toz emme adaptörü ve siper tertibatı hariç tamamen monte edilmiştir.
- Aşağıda belirtilen talimatlar doğrultusunda kurulumu tamamlayın.

Testere Bıçağının Takılması (Şek. A, B)

UYARI: Ciddi yaralanma riskini azaltmak için herhangi bir ayar yapmadan ya da parça veya aksesuarları söküp takmadan önce aleti kapatın ve güç kaynağından ayırın. Aletin yanlışlıkla çalıştırılması yaralanmaya neden olabilir.

UYARI: Yaralanma riskini azaltmak için, testere bıçağını tutarken iş eldiveni takın.

UYARI: Yeni bir bıçağın dişleri çok keskindir ve tehlikeli olabilir.

UYARI: Testere bıçağı bu bölümde gösterildiği şekilde değiştirilmelidir. **Yalnızca Teknik Özellikleri** bölümünde belirtilen testere bıçaklarını kullanın. Önerdiğimiz model DT99565. Diğer testere bıçaklarını **ASLA** kullanmayın.

NOT: Bu aletin bıçağı fabrikada monte edilmektedir.

1. Yükseklik ayar kolunu **6** saat yönünde döndürerek testere bıçağı milini maksimum yüksekliğine getirin.
2. Boğaz plakasını **15** çıkartın. Bkz. **Boğaz plakasının takılması**.
3. Anahtarları **19** kullanarak, saat yönünün tersinde döndürmek suretiyle mil somunu **26** ve kelepçe pulunu **27** testere milinden çıkarın.
4. Bıçak dişlerinin **2** tezgahın ön tarafını gösterdiğinden emin olarak, testere bıçağını mile **28** yerleştirin. Testere bıçağının iç pul ve dış kelepçe pulunun **27** karşısında olduğundan emin olarak pulları ve mil somununu mile takın ve mil somununu **26** elinizle sıkabildiğiniz kadar sıkın. Flanşın en geniş açısının bıçağın karşısında olduğundan emin olun. Mil ve pullarda toz ve pislik bulunmadığından emin olun.
5. Mil somununu sıkarken milin dönmemesi için, bıçak anahtarının açık ucunu **19** kullanarak mili sabitleyin.
6. Bıçak anahtarının kapalı ucunu kullanın ve mil somununu **26** saat yönünde döndürerek sıkın.
7. Boğaz plakasını değiştirin.

UYARI: Bıçakları değiştirdikten sonra her zaman yarma korkuluğu göstergesini ve bıçak siperi tertibatını kontrol edin.

Bıçak Siper Tertibatı/Yarma Bıçağının Monte Edilmesi/Sökülmesi (Şek. A, C)

UYARI: Tüm kesim süresince siper tertibatını kullanın.

1. Testere bıçağı milini maksimum yüksekliğe ayarlayın.
2. Yarma bıçağı kelepçe topuzunu **29** gevşetin (minimum üç tur).
3. Yarma bıçağı kilit pimini devre dışı bırakmak için kelepçe topuzunu topuz üzerindeki siyah oklarla belirtildiği gibi çekin.
4. Kelepçe topuzunu çekerken yarma bıçağını kelepçenin dışına doğru kaldırın. Ardından bıçak kılavuzu düzeneği en düşük seviyeye inene kadar kelepçeye doğru kaydırın.

NOT: Bıçak kılavuzu düzeneği ve yarma bıçağını kelepçeye aynı anda takmayın.

5. Kilit pimini takmak için kelepçe topuzunu serbest bırakın. Pimin devrede olduğundan emin olmak için bıçak siperini hafif yukarı doğru çekin.

6. Yarma bıçağı kelepçe topuzunu sıkın.

NOT: Yarma bıçağı için de aynı prosedürü takip edin.

UYARI: Tezgah testereyi bir güç kaynağına bağlamadan veya kullanmadan önce her zaman bıçak siperi tertibatının doğru hizalandığını ve testere bıçağıyla arasındaki açıklığın doğru olduğunu teyit edin. Her açışta değişiminde hizalamayı kontrol edin.

UYARI: Ciddi yaralanma riskini azaltmak için, bıçak tertibatı mandallarla sabitlenmemişse testereyi **ÇALIŞTIRMAYIN**.

Doğru şekilde hizalandığında yarma bıçağı **21** bıçakla hem tezgah seviyesinde hem de bıçağın üst kısmının seviyesinde hizalı olacaktır. Bir master kullanarak bıçağın **2** yarma bıçağıyla **21** hizalandığından emin olun. Güç bağlantısı yokken, bıçak eğim ve yükseklik ayarlarını en yüksek seviyeye getirerek bıçak siper tertibatının her türlü işlemden bıçağa temas etmediğinden emin olun.

UYARI: Bıçak siper tertibatının doğru takılması ve hizalanması güvenli kullanım için çok önemlidir!

Boğaz Plakasının Takılması (Şek. D)

1. Boğaz plakasını **15** Şekil D'de gösterildiği şekilde hizalayın ve boğaz plakasının arkasındaki tırnakları tezgahın arkasındaki yuvalara yerleştirin.
2. Tezgahı sabitlemek için kilit vidasını **30** bir tornavida yardımıyla saat yönünde 90° çevirin.
3. Boğaz plakasının yükseltmek ve alçaltmak için dört ayar vidası vardır. Doğru şekilde ayarlandığında, boğaz plakasının ön tarafı tezgah yüzeyiyle aynı seviyede veya biraz altında olmalı ve sabitlenmelidir. Boğaz plakasının arka tarafı tezgahla hizalı veya tezgahın biraz üzerinde olmalıdır.

UYARI: Testerenizi asla boğaz plakası olmadan kullanmayın. Eskimiş veya hasar görmüş boğaz plakasını derhal değiştirin.

Boğaz Plakasının Çıkartılması

1. Boğaz plakasını **15** kilit vidasını **30** bir tornavida yardımıyla saatin tersi yönde 90° çevirin
2. Boğaz plakasını testerenin iç kısmına yönlendirmek için yukarı ve aşağı çekin. Testereyi boğaz plakası olmadan KULLANMAYIN.

Yarma Korkuluğunun Takılması (Şek. E)

Yarma korkuluğu tezgah testerenizin sağ tarafında iki pozisyonda [0 mm ila 510 mm yarma için Pozisyon 1 **47** ve 100 mm ila 610 mm yarma için Pozisyon 2 **47**] ve sol tarafında bir pozisyonda kurulabilir.

1. Korkuluk mandallarını **17** açın.
2. Korkuluğu bir açıda sabit tutarak, tespit pimlerini **47** (ön ve arka) korkuluğun üst yuvalarıyla **31** birlikte korkuluk rayına hizalayın.
3. Üst yuvaları pimplere doğru kaydırın ve raya oturana kadar korkuluğu aşağı doğru döndürün.
4. Ön ve arka mandalları **17** kullanarak korkuluğu raya sabitleyin.

Tezgaha Sabitleme (Şek. A)

- Makine gövdesinde her bir taraftaki ayaklar arasında bir tezgaha sabitlemeyi sağlayan iki delik **9** bulunmaktadır. Delikleri çapraz olarak kullanın.
- Kullanımı geliştirmek için makineyi minimum 15 mm kalınlığındaki bir kontrplak parçasının üzerine sabitleyin.

Kullanım sırasında kontrplak parçası tezgaha kelepçeyle sabitlenebilir. Bu da kelepçeleri serbest bırakarak makinenin daha kolay taşınmasını sağlar.

Ayrıca testere ayaklarının altında DE7400 braketlerine montaj amacıyla koyulmuş delikler **24** mevcuttur.

AYARLAR

Bıçak Ayarı

Bıçağın Hizalanması (Gönye Yuvasına Paralel) (Şek. F)

UYARI: Kesme Tehlikesi. Bıçağın boğaz plakasına temas ederek kişisel yaralanmaya sebep olmadığından emin olmak için bıçağı 0° ve 45°'de kontrol edin.

Bıçak tezgah üzerinde gönye yuvasıyla hizalı değil gibi duruyorsa, hizalanması gerekecektir. Bıçağı ve gönye yuvasını tekrar hizalamak için aşağıdaki prosedürü izleyin:

UYARI: Ciddi yaralanma riskini azaltmak için herhangi bir ayar yapmadan ya da parça veya aksesuarları söküp takmadan önce aleti kapatın ve güç kaynağından ayırın. Aletin yanlışlıkla çalıştırılması yaralanmaya neden olabilir.

1. 5 mm altıgen anahtar kullanarak, tezgahın alt tarafında bulunan arka pivot destek sabitleyicileri **32**, desteğin sağa sola hareket etmesine yetecek kadar gevşetin.
2. Desteği bıçak gönye göstergesi yuvasına paralel olana kadar ayarlayın.

3. Arka pivot destek sabitleyicilerini 12,5 –13,6 Nm'e kadar sıkın.

Bıçak Yükseklik Ayarı (Şek. A)

Bıçak, bıçak ayar kolu **6** kullanılarak yükseltilebilir ve alçaltılabilir. Kesim esnasında bıçağın üst üç dişinin kesilen parçanın üst yüzüne yetiştiğinden emin olun. Böylece her zaman maksimum sayıda dişin materyali aşındırdığından ve optimum performansın elde edildiğinden emin olunur.

Siper Tertibatının Bıçakla Hizalanması (Şek. G)

1. Boğaz plakasını çıkarın. Bkz. **Boğaz Plakasının Çıkartılması** bölümü **Montaj ve Ayarlamalar**.
2. Bıçağı tam kesim derinliğine ve 0° açığa yükseltin.
3. Üç adet küçük ayar vidasının **33** konumunu belirleyin. Bu vidalar yarma bıçağının pozisyonunu ayarlamak için kullanılacaktır.
4. İki bıçak ucunun karşısına bir düz kenar yerleştirin. Yarma bıçağı düz kenara temas etmemelidir.
5. Ayarlama gerekiyorsa iki büyük kilit vidasını **34** gevşetin.
6. Yarma bıçağının pozisyonunu ayarlamak için küçük ayar vidalarını **33** kullanın. Gerekiyorsa düz kenarı bıçağın diğer tarafına yerleştirip ayarları tekrar yapın.
7. İki büyük kilit vidasını **34** hafifçe sıkın.
8. Yarma bıçağının dikey ve bıçakla hizalı olduğunu doğrulamak için yarma bıçağının karşısına bir düz kare yerleştirin.
9. Gerekiyorsa, yarma bıçağına kareye dikey olacak şekilde ayarlamak için vidaları kullanın.
10. Yarma bıçağının konumunu doğrulamak için adım 4'ü tekrarlayın. Gerekiirse adım 5 ila 9 arasında tekrarlayın.
11. İki büyük kilit vidasını **34** tam sıkın.

Paralel Ayarlama (Şek. A, H, I)

Optimum performans için bıçak yarma korkuluğuna paralel olmalıdır. Bu ayar fabrikada yapılmaktadır. Yeniden ayarlamak için:

Pozisyon 1 Siper Hizalaması

1. Korkuluğu pozisyon 1'de monte edin ve ray kilit kolunu **5** açın. Ön ve arka raylarda korkuluğu destekleyen tespit pimlerini **47** bulun.
2. Arka tespit pimi vidasını gevşetin ve siperin hizalamasını, siperdeki yiv üzerinden, siperin yüzü bıçağa paralel olacak şekilde ayarlayın. Hizalamanın düzgün bir şekilde yapılmasını sağlamak için çitin yüzü ile bıçağın öntü ve arkası arasındaki mesafeyi ölçtüğünüzden emin olun.
3. Konum belirleme vidasını sıkın ve aynı prosedürü bıçağın diğer tarafı için de tekrarlayın.
4. Yarma ölçüğü ibresinin ayarını kontrol edin (Şek. I).

Pozisyon 2 Siper Hizalaması (Şek. H)

1. Pozisyon 2 siper tespit pimlerini **47**, hizalamak için, pozisyon 1 pimlerinin hizalandığından emin olun, bkz. **Pozisyon 1 Siper Hizalaması**.

2. Pozisyon 2 pimlerini gevşetin, sonrasında bıçak anahtarı **19** üzerindeki delikleri pozisyon belirlemede kılavuz olarak kullanarak pimleri hizalayın (Şek. H).
3. Tespit pimlerini sıkın (ön ve arka).

Yarma Ölçeğinin Ayarlanması (Şek. H, I)

1. Ray kilit kolunu **5** açın.
2. Bıçağı 0° açığa ayarlayın ve bıçağa temas edene kadar siperi hareket ettirin.
3. Ray kilit kolunu kilitleyin.
4. Yarma ölçeği göstergesinin vidalarını **35** sökün ve yarma ölçeği göstergesini sıfırı (**0**) gösterecek şekilde ayarlayın. Yarma ölçeği göstergesinin vidalarını tekrar sıkın. Sarı yarma ölçeği (üst) yalnızca siper pozisyon 1'de **47**, bıçağın sağ tarafında takılıyken (0 mm'den 510 mm'ye yarma için) doğru okur, 610 mm yarma pozisyonundayken doğru okuyamaz. Beyaz yarma ölçeği (alt) yalnızca siper pozisyon 2'de **47**, bıçağın sağ tarafında takılıyken (pozisyon 100 mm ila 610 mm yarma) doğru okur.

Yarma ölçeği yalnızca siper bıçağın sağ tarafında takılıyken doğru okur.

Ray Kilidinin Ayarlanması (Şek. I, J)

Ray kilidi fabrikada ayarlanmıştır. Tekrar ayarlamamız gerekirse, şu adımları izleyin:

1. Ray kilit kolunu **5** kilitleyin.
2. Testerenin alt bölümündeki sıkıştırma somununu **36** açın.
3. Kilit sistemindeki yay, ray kilit kolunda arzu edilen gerilimi oluşturana kadar altıgen çubuğu **37** sıkın. Sıkıştırma somununu tekrar sıkın.
4. Testereyi ters çevirin ve kilit kolu açıkken siperin hareket etmediğini teyit edin. Siper halen gevşekse, yayı biraz daha sıkın.

Eğim Durdurucu ve Göstergenin Ayarlanması (Şek. K)

1. Bıçak yükseklik ayar kolunu **6** durana kadar saat yönünde döndürerek bıçağı yükseltin.
2. Yukarı ve sağa doğru iterek eğim kilit kolunu **7** açın. Eğim durdurma vidasını **38** gevşetin.
3. Tezgah üzerine ve bıçak dişleri arasına bir düz kare yerleştirin. Eğim kilit kolunun açık veya yukarıda olduğundan emin olun.
4. Eğim kilit kolunu kullanarak, eğim açısını kareye düz olacak şekilde ayarlayın.
5. Aşağı doğru iterek eğim kilidi kolunu sıkın.
6. Yatak bloğuyla sıkıca birleşene kadar kamı döndürmek için eğim durdurma vidasını **38** çevirin. Eğim durdurma vidasını sıkın.
7. Eğim açısı ölçeğini kontrol edin. Gösterge 0°'yi göstermiyorsa, gösterge vidasını **39** gevşetin ve göstergeyi doğru okuma yapacağı şekilde ayarlayın. Gösterge vidasını yeniden sıkın.
8. 45°'de tekrarlayın fakat göstergeyi ayarlamayın.

Gönye Göstergesi Ayarlama (Şek. A)

Gönye göstergesini **10** ayarlamak için, düğmeyi gevşetin, istenen açığa ayarlayın ve düğmeyi sıkın.

Vücut ve El Pozisyonu

Tezgah testereyi kullanırken vücudunuzun ve ellerinizin doğru şekilde pozisyonlandırılması, kesimi daha kolay, daha kesin ve daha güvenli hale getirecektir.



UYARI:

- Ellerinizi asla kesim alanının yakınına koymayın.
- Asla ellerinizi bıçağa 150 mm'den daha fazla yaklaştırmayın.
- Ellerinizi çapraz pozisyona getirmeyin.
- İki ayağın da sıkıca zeminde olmasını sağlayın ve uygun dengeyi koruyun.

Çalıştırmadan Önce



UYARI:

- Uygun testere bıçağını takın. Aşırı aşınmış bıçakları kullanmayın. Aletin maksimum dönüş hızı testere bıçağının hızını aşmamalıdır.
- Aşırı derecede küçük parçaları kesmeye çalışmayın.
- Bıçağın serbestçe kesmesine izin verin. Zorlamayın.
- Kesmeden önce motorun tam hıza erişmesini bekleyin.

KULLANMA

Kullanma Talimatları



UYARI: Güvenlik talimatlarına ve geçerli yönetmeliklere daima uyun.



UYARI: Ciddi yaralanma riskini azaltmak için herhangi bir ayar yapmadan ya da parça veya aksesuarları söküp takmadan önce aleti kapatın ve güç kaynağından ayırın. Aletin yanlışlıkla çalıştırılması yaralanmaya neden olabilir.

Artan titreşim etkilerini azaltmak için çevre sıcaklığının çok düşük olmadığından, makine ve aksesuarların bakımının iyi yapıldığından ve iş parçası boyutunun bu makineye uygun olduğundan emin olun.



UYARI:

- Güvenlik talimatlarına ve geçerli düzenlemelere her zaman uyun.
- Makinenin, masa yüksekliği ve denge açısından ergonomik durumunuza uygun şekilde yerleştirildiğinden emin olun. Makinenin yerleştirileceği bölge, operatörün görüş açısının iyi olmasını ve üzerinde çalışılan parçanın herhangi bir sınırlama olmaksızın ele alınmasına olanak tanıyacak yeterli serbest alan bulunmasını sağlayacak şekilde seçilmelidir.
- Uygun testere bıçağını takın. Aşırı derecede aşınmış bıçakları kullanmayın. Aletin maksimum dönüş hızı testere bıçağının hızını aşmamalıdır.
- Aşırı derecede küçük parçaları kesmeye çalışmayın.
- Bıçağın serbestçe kesmesine izin verin. Zorlamayın.

- Kesmeden önce motorun tam hıza erişmesini bekleyin.
- Tüm kilitleme topuzlarının ve kelepçe kollarının sıkı olduğundan emin olun.
- Testere elektrik kaynağına bağlıyken ellerinizi asla bıçak alanına koymayın.
- Testereyi asla rastgele kesim için kullanmayın!
- Eğri, ezik veya birleştirilmiş parçalar üzerinde kesim yapmayın. Yarma korkuluğu veya gönye siperinin yanında olacak en az bir düz ve pürüzsüz kısım mevcut olmalıdır.
- Geri tepmeyi engellemek için uzun parçaları her zaman destekleyin.
- Bıçak çalışırken bıçağın etrafında kalan parçaları almayın.

Açma ve Kapatma (Şek. A, L)

Testeranızın açma/kapama anahtarı **8** çeşitli avantajlar sunmaktadır:

- Voltaj olmadığına bırakma özelliği: herhangi bir nedenle gücün kapatılması gerekirse şalter güç verilmeden önce bilinçli olarak sıfırlanmalıdır.
- Makineyi açmak için, yeşil başlatma düğmesine **40** basın.
- Makineyi kapatmak için, kırmızı durdurma düğmesine **41** basın.

Kilitleme Özelliği Talimatları

Testereyi kilitlemek üzere bir asma kilit takmak için düğmenin üzerindeki bir kapak aşağı katlanır. Maksimum 6,35 mm çap ve minimum 76,2 mm açıklığa sahip bir asma kilit önerilir.

Korkuluk Kullanımı (Şek. A, M)

Ray Kilit Kolu

Ray kilit kolu **5** korkuluğu sabitleyerek kesim esnasında hareket etmesini engeller. Ray kolunu kilitlemek için aşağıya ve testerenin arkasına doğru bastırın. Açmak için yukarıya ve testerenin ön tarafına doğru çekin.

NOT: Yarma işlemi esnasında ray kilit kolunu mutlaka kilitleyin.

Destek Eklentisi /Dar Yarma Korkuluğu

Tezgah testereniz, tezgah testerenin boyunu aşan işler için bir destek eklentisi içermektedir.

Dar yarma korkuluğunu destek pozisyonunda kullanmak için, Şekil M'da gösterildiği şekilde bulunduğu yerde döndürün ve pimleri korkuluğun her iki ucundaki alt yuva setlerine **42** doğru kaydırın.

Dar yarma korkuluğunu dar yarma pozisyonunda kullanmak için, pimleri korkuluğun her iki ucundaki üst yuva setlerinden **43** çıkarın. Bu özellikli bıçağa 51 mm ilave açıklık sağlayacaktır. Şekil M'ye bakın.

NOT: Tezgahın üzerinde çalışırken destek eklentisini kapatın veya dar yarma korkuluğu pozisyonuna ayarlayın.

İnce Ayar Düğmesi

İnce ayar düğmesi **4** korkuluk ayarlanırken daha küçük ayarlar yapmaya imkan tanır. Ayarlamadan önce ray kilit kolunun açık pozisyonunda olduğundan emin olun.

Yarma Ölçeği Göstergesi

Kullanıcı kalın ve ince keff bıçakları değiştirerek kullanıyorsa, yarma korkuluğunun doğru çalışması için yarma ölçeği göstergesi nin ayarlanması gerekmektedir. Yarma ölçeği göstergesi yalnızca pozisyon 1 (0 mm ila 510 mm) için doğru okuma yapabilmektedir, fakat dar yarma korkuluğu kullanımdayken pozisyon 1'e 52 mm eklenir. **Montaj ve Ayarlar** bölümündeki **Yarma Ölçeğinin Ayarlanması** kısmına bakın.

Temel Testere Kesim İşlemleri

Yarma (Şek. A, N)



UYARI: Keskin uçlar.

1. Bıçağı 0°'ye ayarlayın.
2. Yarma korkuluğu mandalını **17** kilitleyin (Şek. A).
3. Bıçağı çalışma parçasının 3 mm üstünde olacak şekilde yükseltin.
4. Korkuluğun pozisyonunu ayarlayın **Korkuluk Kullanımı** bölümüne bakın.
5. Çalışma parçasını tezgahın üzerinde korkuluğa doğru düz tutun. Çalışma parçasını bıçaktan uzakta tutun.
6. İki elinizi de bıçak yolundan uzak tutun.
7. Makineyi açın ve bıçağın tam hıza erişmesine izin verin.
8. İş parçasını çite sıkıca bastırarak yarma korkuluğunun altından besleyin. Dişlerin kesmesine izin verin ve iş parçasını bıçağa bastırmayın. Bıçak hızı sabit tutulmalıdır.
9. Bıçağa yakın çalışırken her zaman itme çubuğu **20** kullanın (Şek. N).
10. Kesim tamamlandıktan sonra, makineyi kapatın, bıçağın durmasını bekleyin ve çalışma parçasını alın.



UYARI:

- Çalışma parçasının "boş" veya artık kısmını asla itmeyin veya tutmayın.
- Aşırı derecede küçük parçaları kesmeyin.
- Küçük parçaların yarma işlemi sırasında her zaman itme çubuğu kullanın.

Açılı Kesim (Şek. A)



UYARI: Bıçağın eğimli (sol) tarafında eğimli yarma işleminden kaçının.

1. Yukarı ve sağa doğru iterek döndürme koluyla **7** eğim açısını ayarlayın.
2. İsteneceği açıyı ayarlayın, aşağıya doğru bastırarak kolu döndürün ve kilitlemek için sola bastırın.
3. Yarma işlemindeki gibi devam edin.

Çapraz Kesim ve Açılı Çapraz Kesim

1. Yarma korkuluğunu çıkarın ve gönye göstergesini yuvaya takın.
2. Gönye göstergesini 0°'ye kilitleyin.
3. Yarma işlemindeki gibi devam edin.

Gönye Kesim (Şek. A)

1. Gönye göstergesini **10** istenene açığı ayarlayın.

NOT: Çalışma parçasını her zaman gönye göstergesinin yüzüne doğru sıkıca tutun.

2. Yarma işlemindeki gibi devam edin.

Bileşik Gönye Kesme İşlemleri

Bu kesim gönye ve açılı kesim kombinasyonudur. Açığı gerekli seviyeye getirin ve çapraz kesim gönyesiyle devam edin.

Uzun Parçaların Desteklenmesi

- Uzun parçaları her zaman destekleyin.
- Uçların düşmesini önlemek için testere tezgahları veya benzeri aletler gibi kullanışlı yollarla uzun iş parçalarını destekleyin.



Toz Emme (Şek. A)

Kurşun içeren kaplamalar ve bazı ağaç türleri gibi malzemelerden gelen tozlar insan sağlığına zararlı olabilir. Tozun solunması alerjik reaksiyonlara ve/veya kullanıcının veya diğer kişilerin solunum yolu enfeksiyonları yaşamasına neden açabilir. Kayın ve meşe tozu gibi bazı tozların, özellikle ağaç işleme katkı maddeleriyle birleştiğinde kansere yol açıcı maddeler haline geldiği bilinmektedir.

Çalışılan malzeme için ülkenizde geçerli olan düzenlemelere uyun.

Vakumlu süpürge, çalışılacak malzeme için uygun olmalıdır.

Özellikle sağlığa zararlı veya kanserojen olan kuru tozları vakumla çekerken toz sınıfı M olan bir vakumlu süpürge kullanın.

Makine arka kısmında 57/65 mm nozüllere sahip toz emme ekipmanına uygun toz çıkış yuvasına **13** sahiptir. Makinede 34-40 mm çaplı toz emme nozülleriyle kullanıma uygun redüktör yuvası da bulunmaktadır.

Bıçak siper tertibatı da 35 mm nozüller ve AirLock sistemi için toz emme yuvasına sahiptir.

- Her kullanım esnasında, toz emisyonlarıyla ilgili yönetmelikler uyarınca tasarlanmış bir toz toplama cihazı bağlayın.
- Kullanılan toz emme hortumunun uygulama ve kesilen materyale uygun olduğundan emin olun. Hortumların doğru bağlandığından emin olun.
- Her iki bağlantı portunu tek bir toz çıkarıcıya bağlamak için bir dağıtıcı aksesuar mevcuttur.
- Sunta veya MDF gibi insan yapımı materyallerin kesim esnasında doğal ahşaba göre daha fazla toz partikülü çıkardığını unutmayın.

Saklama (Şek. A, O)

1. İtme çubuğunu **20** korkuluğa takın.
2. Bıçak siper tertibatını **11** çıkarın. Bkz **Bıçak Siper Tertibatı/ Yarma Bıçağının Monte Edilmesi/Sökülmesi**. Bıçak siper tertibatını gösterildiği şekilde tutucusuna yerleştirin, ardından yerine kilitlemek için 1/4 tur çevirin.
3. Bıçak anahtarlarının **19** kapalı ucunu mandala kaydırın ve ardından kelebek somunla yerine sabitleyin.

4. Gönye göstergesinin **10** kılavuz çubuğunu en düşük seviyeye inene kadar cebe takın.

5. Bir taraftan tarafa tam kesmeyi önleme bıçağını **21** çıkartın. Bkz **Bıçak Siper Tertibatı/Yarma Bıçağının Monte Edilmesi/Sökülmesi**. Bir taraftan tarafa tam kesmeyi önleme bıçağını resimde gösterildiği gibi yerine yerleştirin, ardından hareket etmemek üzere kilitlemek için 1/4 tur çevirin. Bir taraftan tarafa tam kesmeyi önleme bıçağı normal kullanım konumunda da takılabilir ve muhafaza edilebilir.

6. Siperi **16** saklamak için, çalışma desteğini saklama pozisyonunda sabitleyin. Siperi raylardan çıkarın. Siperi testerenin sol tarafına ters şekilde tekrar takın. Sabitlemek için siper kilitleme mandallarını eksen üzerinde döndürün.

7. El çarkını **6** testere bıçağının dişleri testere tezgahının **1** altına yerleştirilene kadar saat yönünün tersine çevirin.

8. Şebeke kablosunu kablo tutucunun **23** etrafına sarın.

Taşıma (Şek. A)

- Aleti kapatın ve güç kaynağıyla bağlantısını kesin.
- Şebeke kablosunu kablo tutucunun **23** etrafına sarın.
- Elektrikli alete sıkıca monte edilemeyen tüm aksesuarları sökün.
- İş desteği uzantısını geri çekin.
- Makineyi daima taşıma kollarını **12** kullanarak taşıyın.



UYARI: Makineyi daima üst bıçağına koruma takılması olarak taşıyın.

BAKIM

Elektrikli aletiniz minimum bakımla uzun bir süre çalışacak şekilde tasarlanmıştır. Kesintisiz olarak memnuniyet verici bir şekilde çalışması gerekli özenin gösterilmesine ve düzenli temizliğe bağlıdır.



UYARI: Ciddi yaralanma riskini azaltmak için herhangi bir ayar yapmadan ya da parça veya aksesuarları söküp takmadan önce aleti kapatın ve güç kaynağından ayırın. Aletin yanlışlıkla çalıştırılması yaralanmaya neden olabilir.



Yağlama (Şek. P)

Motor ve yatakların ilave yağlamaya ihtiyacı yoktur. Bıçağın yükseltilmesi ve indirilmesi zorlaşır, yükseklik ayarlamaları temizleyin ve gresleyin.

1. Testerenin fişini prizden çekin.
2. Testereyi yan yatırın.
3. Şekil P'da gösterildiği şekilde testerenin alt tarafındaki yükseklik ayarlamaları vidalarının dişlerini **44** temizleyin ve yağlayın. Genel amaçlı gres kullanın.



Temizleme (Şek. A, Q)



UYARI: Havalandırma deliklerinde ve etrafında toz toplanması halinde bu tozu ve kiri kuru hava kullanarak

ana gövdeden uzaklaştırın. Bu işlemi gerçekleştirirken onaylı bir göz koruması ve onaylı toz maskesi takın.



UYARI: Aletin metalik olmayan parçalarını temizlemek için asla çözücü veya başka sert kimyasal kullanmayın. Bu kimyasallar bu parçalarda kullanılan malzemeleri güçsüzleştirir. Yalnızca su ve yumuşak sabunla nemlendirilmiş bir bez kullanın. Aletin içine herhangi bir sıvının girmesine izin vermeyin; aletin herhangi bir parçasını bir sıvı içine daldırmayın.



UYARI: Yaralanma tehlikesini azaltmak için, tezgah üstünü ve havalandırma deliklerini düzenli olarak temizleyin.



UYARI: Yaralanma tehlikesini azaltmak için, toz toplama sistemini düzenli olarak temizleyin.



UYARI: Fiziksel yaralanma riskini azaltmak için toz erişim kapağını yeniden takmadan testereyi kullanmayın.

Bıçak siper tertibatı **11** ve boğaz plakası testere kullanılmadan önce yerlerine takılmalıdır.

Kullanmadan önce, üst ve alt bıçak siperini ve uygun şekilde çalışacağından emin olmak için toz toplama borusunu dikkatli bir şekilde kontrol edin. Yongalar, toz veya üzerinde çalışılan parçadan çıkan küçük parçacıkların fonksiyonlardan herhangi birinin engellenmesine yol açmayacağından emin olun.

İş parçası bölümlerinin testere bıçağı ve siperler arasında sıkışması durumunda, makineyi güç kaynağından sökün ve **Testere bıçağının takılması** bölümünde verilen talimatları takip edin. Sıkışmış parçaları çıkartın ve testere bıçağını takın.

Havalandırma yuvalarını açık tutun ve mahfazayı düzenli olarak yumuşak bir bezle temizleyin.

Toz toplama sistemini düzenli şekilde temizleyin:

1. Testereyi yan yatırın, böylece birimin altı ve açık kısmı erişilebilir olacaktır.
2. Şekil Q'de gösterildiği gibi iki vidayı **45** gevşeterek ve kapağı çıkartarak toz erişim kapağını **46** açın. Tozu temizleyin ve ardından kapağı vidalarla sabitleyerek yeniden yerine takın.

İlave Aksesuarlar



UYARI: DEWALT tarafından tedarik veya tavsiye edilenlerin dışındaki aksesuarlar bu ürün üzerinde test edilmediğinden, söz konusu aksesuarların bu aletle birlikte kullanılması tehlikeli olabilir. Yaralanma riskini azaltmak için bu ürünle birlikte sadece DEWALT tarafından tavsiye edilen aksesuarlar kullanılmalıdır.

Uygun aksesuarlarla ilgili daha fazla bilgi almak için satış noktalarıyla görüşün.

Bıçak siperi aşındığında değiştirin. Bıçak siperi değişimiyle ilgili olarak yerel DEWALT servis merkezine iletişime geçin.

TESTERE BIÇAKLARI: DAİMA, 30 mm'lik çark deliklerine sahip 210 mm'lik sesi azaltılmış testere bıçaklarını kullanın. Bıçak hızı değeri en azından 6000 RPM olmalıdır. Daha küçük çaplı bir bıçağı asla kullanmayın. Düzgün şekilde korunmayacaktır.

BIÇAK AÇIKLAMALARI

Uygulama	Çap	Dişler
İnşaat Testeresi Bıçakları (hızlı yarma)		
Genel Amaçlı	210 mm	24
Hassas Enine Kesimler	210 mm	40
Ahşap İş Testere Bıçakları (pürüzsüz, temiz kesimler sağlar)		
Hassas enine kesimler	210 mm	60

Çevrenin Korunması



Aynı toplama. Bu işaretlenmiş simgeyle ürün normal evsel atıklarla birlikte çöpe atılmamalıdır.

Bazı malzemeleri içeren ürün geri dönüştürülebilir veya geri kazanılabilir, bu da bazı hammaddeler için talebi azaltabilir. Lütfen elektrikli ürünleri yerel yasal mevzuata uygun şekilde geri dönüşüme tabi tutun. Daha ayrıntılı bilgiler www.2helpU.com adresinde mevcuttur.

Sanayi ve Ticaret Bakanlığı tebliğince kullanım ömrü 7 yıldır.

Türkiye Distribütörü

Stanley Black & Decker Turkey Alet Üretim San. Tic. Ltd.Şti.

AND Kozyatağı - İçerenköy Mah. Umut Sok. AND Ofis Sit. No: 10-12 / 82-83-84

Ataşehir/İstanbul, Türkiye

Tel: +90 216 665 2900

Faks: +90 216 665 2901

www.dewalt.com.tr

info-tr@sbdinc.com

DEWALT GARANTİ BELGESİ

İTHALATÇI FIRMA

Ünvanı : STANLEY BLACK&DECKER TURKEY ALET ÜRETİM SAN. TİC. LTD.ŞTİ.
Adresi : AND Kozyatağı - İçerenköy Mah. Umut Sok. AND Ofis Sit. No: 10-12 / 82-83-84
 Ataşehir/İstanbul, TURKEY
Telefon No. : 0216 665 29 00
Faks No. : 0216 665 29 01
E-mail : info-tr@sbdinc.com

STANLEY BLACK & DECKER
 AND KOZYATAĞI - İÇERENKÖY MAH.
 Umut Sok. AND Ofis Sit. No: 10-12 / 82-83-84
 Ataşehir/İstanbul, TURKEY
 T.C. MÜHÜRÜ
 11.10.2004

ÜRÜNÜN

Cinsi :
Markası : **DEWALT**
Modeli :
Seri Numarası :
Garanti Süresi : 2 YIL
Azami Tamir Süresi : 20 İŞ GÜNÜ

SATICI FİRMANIN

Ünvanı :
Adresi :
Telefon No. :
Faks No. :
Fatura Tarih ve No. :
Ürün Teslim Tarihi :
Ürün Teslim Yeri :
Belgeyi Dolduranın Adı Soyadı :

Kaşe - Yetkili İmza

GARANTİ ŞARTLARI

- Garanti süresi, malın teslim tarihinden itibaren başlar ve 2 yıldır.
- Malın bütün parçaları dahil olmak üzere tamamı firmamızın garantisini kapsamaktadır.
- Malın ayıplı olduğunun anlaşılması durumunda tüketici, 6502 sayılı Tüketici Korunması Hakkında Kanununun 11 inci maddesinde yer alan;
 - Sözleşmeden dönme,
 - Satış bedelinden indirim isteme
 - Ücretsiz onarılmasını isteme
 - Satılanın ayıpsız bir misli ile değiştirilmesini isteme,
 haklarından birini kullanabilir.
- Tüketicinin bu haklardan ücretsiz onarım hakkını seçmesi durumunda satıcı; işçilik masrafı, değiştirilen parça bedeli ya da başka herhangi bir ad altında hiçbir ücret talep etmeksizin malın onarımını yapmak veya yaptırmakla yükümlüdür. Tüketici ücretsiz onarım hakkını üretici veya ithalatçıya karşı da kullanabilir.
- Satıcı, üretici ve ithalatçı tüketicinin bu hakkını kullanmasından müteselsilen sorumludur.
- Tüketicinin, ücretsiz onarım hakkını kullanması halinde malın;
 - Garanti süresi içinde tekrar arızalanması,
 - Tamiri için gereken azami sürenin aşılması,
 - Tamirinin mümkün olmadığını, yetkili servis istasyonu, satıcı, üretici veya ithalatçı tarafından bir raporla belirlenmesi durumlarında; tüketici malın bedel iadesini, ayıp oranında bedel indirimini veya imkan varsa malın ayıpsız misli ile değiştirilmesini satıcıdan talep edebilir.
- Satıcı, tüketicinin talebini reddedemez. Bu talebin yerine getirilmemesi durumunda satıcı, üretici ve ithalatçı müteselsilen sorumludur.
- Malın tamir süresi 20 iş gününü geçemez. Bu süre, garanti süresi içerisinde mala ilişkin arızanın yetkili servis istasyonuna veya satıcıya bildirim tarihinde, garanti süresi dışında ise malın yetkili servis istasyonuna teslim tarihinden itibaren başlar. Malın arızasının 10 iş günü içerisinde giderilmemesi halinde, üretici veya ithalatçı; malın tamiri tamamlanuncaya kadar, benzer özelliklere sahip başka bir malı tüketicinin kullanımına tahsis etmek zorundadır. Malın garanti süresi içerisinde arızalanması durumunda, tamirde geçen süre garanti süresine eklenir.
- Malın kullanma kılavuzunda yer alan hususlara aykırı kullanılmasından kaynaklanan arızalar garanti kapsamı dışındadır.
 - Garanti kapsam şartları ;
 - Ürün hatalı kullanılmamıştır.
 - Ürün yıpranmamış, hırpalanmamış ve aşınmamıştır.
 - Yetkili olmayan kişilerce tamire çalışılmamıştır.
 - Satın alma belgesi (fatura) ibraz edilmiştir.
 - Ürün, tüm orijinal parçaları ile iade edilmiştir.
- Tüketici, garantiden doğan haklarının kullanılmasında ilgili olarak çıkabilecek uyuşmazlıklarda yerleşim yerinin bulunduğu veya tüketici işleminin yapıldığı yerdeki Tüketici Hakem Heyetine veya Tüketici Mahkemesine başvurabilir.
- Satıcı tarafından bu Garanti Belgesinin verilmesi durumunda, tüketici Gümrük ve Ticaret Bakanlığı Tüketicinin Korunması ve Piyasa Gözetimi Genel Müdürlüğüne başvurabilir.

EEE Yönetmeliğine uygundur.



KULLANMA KILAVUZU İÇİN EK BİLGİLER

-Taşıma ve nakliye sırasında dikkat edilecek hususlar;
Cihazı taşıma ve nakliye esnasında hasar verecek şekilde taşınmamalı, bir yerden bir yere fırlatılmamalı, istifleme yapılırken dikkat edilmeli.

-Gümrük ve Ticaret Bakanlığı uyarınca belirlenen kullanım ömürleri aşağıdaki gibidir;

Testere Makineleri	7 yıl
Polisaj Makineleri	7 yıl
Matkaplar	7 yıl
Vidalama Makineleri	7 yıl
Zımpara Makineleri	7 yıl

-Malın ayıplı olduğunun anlaşılması durumunda tüketici, 6502 sayılı Tüketici Korunması Hakkında Kanununun 11 inci maddesinde yer alan;

a- Sözleşmeden dönme,

b-Satış bedelinden indirim isteme

c-Ücretsiz onarılmasını isteme

d-Satılanın ayıpsız bir misli ile değiştirilmesini isteme,

haklarından birini kullanabilir.

-Tüketici, garantiden doğan haklarının kullanılması ile ilgili olarak çıkabilecek uyuşmazlıklarda yerleşim yerinin bulunduğu veya tüketici işleminin yapıldığı yerdeki Tüketici Hakem Heyetine veya Tüketici Mahkemesine başvurabilir.

ЦИРКУЛЯРНИЙ ВЕРСТАТ

DWE7485

Вітаємо вас!

Ви обрали інструмент виробництва компанії DeWALT. Ретельна розробка продукції, багаторічний досвід фірми у виробництві інструментів, різні вдосконалення, все це зробило інструменти DeWALT є одними із найнадійніших помічників для тих, хто використовує електричні інструменти у своїй професії.

Технічні дані

		DWE7485
Напруга	V постійного струму	230
Тип		1
Номінальна споживана потужність	Вт	1850
Швидкість без навантаження	хв.-1	5800
Діаметр пильного диска	мм	210
Діаметр отвору диска	мм	30
Ширина прорізу диска	мм	1,8
Товщина диска	мм	1,3
Товщина розклинюючого ножа	мм	1,6
Глибина різання під кутом 90°	мм	65
Глибина різання фасок під кутом 45°	мм	45
Здатність до розриву (Праворуч від диска)	мм	622,3
Здатність до розриву (Ліворуч від диска)	мм	318
Розміри робочої поверхні	мм	485 x 485
Габаритні розміри	мм	605 x 605 x 330
Маса	кг	22

Значення рівня шуму та/або вібрації (триаксимальна векторна сума) відповідно до стандарту EN62841-1-2015:

L _{PA} (рівень тиску звукового випромінювання)	дБ(А)	90
L _{WA} (рівень акустичної потужності)	дБ(А)	107
K (похибка для даного рівня звукового тиску)	дБ(А)	3

Значення вібрації та/або шуму, наведене в цьому документі, було виміряне згідно зі стандартизованим тестом, викладеним в EN62841 та може використовуватись для порівняння інструментів. Це значення вібрації можна також використовувати для попередньої оцінки впливу вібрації.

⚠ ОБЕРЕЖНО: Заявлене значення вібрації та/або шуму відповідає вимогам цільового використання інструмента. Однак якщо інструмент використовується для виконання інших завдань, або з іншими витратними матеріалами/насадками, або не обслуговується належним чином, значення вібрації та/або шуму може відхилитися. Це може

значно збільшити рівень впливу протягом усього періоду роботи.

Оцінка рівня впливу вібрації та/або шуму має враховувати час, протягом якого інструмент є ввімкненим, а також час, протягом якого він є ввімкненим, але не використовується. Це може значно зменшити рівень впливу протягом усього періоду роботи.

Визначення додаткових заходів безпеки для захисту оператора від впливу вібрації та/або шуму: технічне обслуговування інструмента та приладдя, утримання рук у теплі (має значення для вібрації), організація режиму роботи.

Декларація про відповідність ЄС

ДИРЕКТИВА ДЛЯ МЕХАНІЧНОГО ОБЛАДНАННЯ



Циркулярний верстат DWE7485

DeWALT заявляє, що описані в розділі **Технічні дані** пристрої відповідають стандартам:

2006/42/EC, EN62841-1:2015+AC:2015, EN62841-3-1:2014+AC:2015 + A11:2017.

Ці продукти також відповідають вимогам Директив 2014/30/EU та 2011/65/EU. Для отримання додаткової інформації звертайтеся до компанії DeWALT за адресою, зазначеною нижче або наприкінці цього керівництва.

Нижчепідписаний несе відповідальність за упорядкування файлу технічних характеристик та робить цю заяву від імені компанії DeWALT..

Маркус Ромпель
Віце-президент з машинобудування, PTE-Europe
DeWALT, Richard-Klinger-Straße 11,
D-65510, Ідштайн, Німеччина
09.08.2019



ПОПЕРЕДЖЕННЯ: Уважно прочитайте керівництво з експлуатації для зниження ризику отримання травми.

Позначення: інструкції з техніки безпеки

Умовні позначення, наведені нижче, описують рівень важливості кожної попереджувальної вказівки. Прочитайте керівництво з експлуатації та зверніть увагу на символи, наведені нижче.



НЕБЕЗПЕЧНО: Вказує на безпосередню загрозу, яка, якщо її не уникнути, призведе до смерті або серйозної травми.



ПОПЕРЕДЖЕННЯ: Вказує на потенційну загрозу, ігнорування якої може призвести до смерті або серйозної травми.



УВАГА: Вказує на потенційну загрозу, ігнорування якої може призвести до травми легкої або середньої тяжкості.

ПРИМІТКА: Вказує на ситуацію, не пов'язану з особою травмою, ігнорування цієї ситуації може призвести до пошкодження майна.



Вказує на ризик ураження електричним струмом.



Вказує на ризик виникнення пожежі.

ЗАГАЛЬНІ ПРАВИЛА БЕЗПЕКИ ПРИ ЕКСПЛУАТАЦІЇ ЕЛЕКТРИЧНОГО ІНСТРУМЕНТА



ПОПЕРЕДЖЕННЯ: Ознайомтеся з усіма попередженнями, інструкціями з техніки безпеки, зображеннями та специфікаціями, які поставляються з даним електричним інструментом. Невиконання нижченаведених інструкцій може призвести до ураження електричним струмом, пожежі та/або серйозних тілесних ушкоджень.

ЗБЕРІГАЙТЕ ВСІ ПОПЕРЕДЖЕННЯ ТА ІНСТРУКЦІЇ ДЛЯ ПОДАЛЬШОГО ВИКОРИСТАННЯ

Термін «електричний інструмент» в усіх попередженнях стосується використовуваних вами інструментів, що живляться від мережі енергопостачання (з електричним кабелем) або від акумуляторів (без кабелю).

1) Безпека робочої зони

- Робоча зона завжди має бути чистою та добре освітленою.** Захаращена або темна робоча зона призводить до нещасних випадків.
- Не використовуйте електричні інструменти у вибухонебезпечній атмосфері, наприклад поруч із вогнебезпечними рідинами, газами та пилом.** Електричні інструменти створюють іскри, що можуть запалити пил або пар.
- Тримайте дітей та сторонніх подалі під час використання інструмента.** Відвернення уваги може призвести до втрати контролю.

2) Електрична безпека

- Вилка електричного інструмента повинна відповідати розетці. Ніколи жодним чином не змінюйте вилку. Не використовуйте адаптери з замкнутими на землю (заземленими) електричними інструментами.** Немодифіковані вилки та розетки, що підходять до них, зменшують ризик ураження електричним струмом.
- Уникайте контакту тіла з заземленими поверхнями, такими як труби, радіатори, плити та холодильники.** Якщо ваше тіло заземлене, збільшується ризик ураження електричним струмом.
- Не залишайте електричні інструменти під дощем або в умовах підвищеної вологості.** Вода, що потрапляє в електричний інструмент, підвищує ризик ураження електричним струмом.
- Не використовуйте кабель живлення не за призначенням. Ніколи не переносьте, не тягніть та не відключайте електричний інструмент від розетки живлення за допомогою шнура. Тримайте шнур подалі від високих температур, мастила, гострих предметів та рухомих деталей.** Пошкоджені або перекручені шнури підвищують ризик ураження електричним струмом.
- При використанні електричного інструмента на вулиці, використовуйте подовжувальний шнур, що підходить для використання на вулиці.** Використання шнура, що призначений для використання поза приміщенням, знижує ризик ураження електричним струмом.
- Якщо неможливо уникнути використання електричного інструмента в умовах підвищеної вологості, використовуйте живлення, захищене пристроєм залишкового струму (RCD).** Використання RCD знижує ризик ураження електричним струмом.

3) Особиста безпека

- Будьте в стані готовності, дивіться, що ви робите, та будьте розсудливі, працюючи з електричним інструментом. Не використовуйте електричний інструмент, коли ви втомлені або знаходитесь під впливом наркотичних речовин, алкоголю або ліків.** Втрата уваги під час роботи з електричними інструментами може призвести до серйозних травм.
- Використовуйте особисті засоби безпеки. Завжди використовуйте засоби захисту очей.** Засоби безпеки, такі як протипилова маска, неслизькі безпечні черевки, захисний шолом та засоби захисту слухового апарату при використанні для відповідних умов зменшують імовірність особистих травм.
- Уникайте випадкового запуску. Переконайтеся в тому, що вимикач знаходиться в позиції Вимк., перш ніж підключати інструмент до джерела живлення та/або акумулятора,**

переміщувати або переносити. Може статися нещасний випадок, коли ви переносите інструмент, тримаючи палець на вимикачі, або підключаєте живлення до вимикача в позиції Увіім.

- d) **Зніміть усі ключі для регулювання або гайкові ключі, перш ніж вмикати електричний інструмент.** Гайковий ключ, що залишився прикріпленим до якоїсь деталі електричного пристрою, що обертається, може призвести до травм.
- e) **Не прикладайте надмірного зусилля. Завжди утримуйте правильну постановку ніг і рівновагу.** Це дає вам змогу краще контролювати інструмент в неочікуваних ситуаціях.
- f) **Одягайтеся відповідним чином. Не вдягайте вільний одяг або прикраси. Тримайте ваше волосся та одяг подалі від рухомих деталей.** Вільний одяг, прикраси або довге волосся можуть зачепитися за рухомі деталі.
- g) **Якщо передбачені пристрої для підключення до засобів виділення та збирання пилу, переконайтеся, що вони правильно підключені та використовуються.** Використання таких пристроїв зменшує ризик виникнення небезпечних ситуацій, що пов'язані з потраплянням пилу.
- h) **Навіть якщо ви добре знаєте інструмент та часто його використовуєте, не розслабляйтесь та не забувайте про принципи техніки безпеки.** Необережні дії можуть за долю секунди призвести до важких тілесних ушкоджень.

4) Використання електричного інструмента та догляд за ним

- a) **Не прикладайте надмірних зусиль під час роботи з інструментом. Використовуйте електричний інструмент, який відповідає завданню, що виконується.** Правильно обраний інструмент виконає завдання краще та безпечніше за умов, для яких він був розроблений.
- b) **Не використовуйте інструмент, якщо його неможливо ввімкнути та вимкнути за допомогою вимикача.** Будь-який електричний інструмент, яким неможливо керувати за допомогою вимикача, є небезпечним і має бути відремонтований.
- c) **Якщо вилка знімна, відключіть її від джерела живлення та/або вийміть акумулятор, перш ніж виконувати будь-які налаштування, змінювати додаткове обладнання або зберігати інструмент.** Ці профілактичні заходи зменшують ризик випадкового запуску електричного інструмента.
- d) **Зберігайте вимкнені електричні інструменти в недоступному для дітей місці та не дозволяйте особам, що не знайомі з електричним інструментом або цими інструкціями, використовувати електричний інструмент.** Електричні інструменти є

небезпечними, якщо вони використовуються некваліфікованими користувачами.

- e) **Технічне обслуговування електричних інструментів та приладдя. Перевіряйте неспіввісність, заїдання рухомих деталей, наявність пошкоджених частин та інших факторів, які можуть впливати на роботу електричного інструмента. Якщо є пошкодження, відремонтуйте електричний інструмент перед використанням.** Нещасні випадки часто є результатом того, що інструмент не пройшов відповідного технічного обслуговування.
- f) **Різальні інструменти мають бути гострими та чистими.** Правильно доглянуті різальні інструменти з гострими різальними кромками мають меншу імовірність заїдання, та ними легше керувати.
- g) **Використовуйте електричний інструмент, додаткові інструменти та деталі інструменту тощо у відповідності до цих інструкцій та відповідно до даного типу електричних інструментів, зважаючи на умови використання та роботу, яка має бути виконана.** Використання електричних інструментів не за призначенням може призвести до виникнення небезпечних ситуацій.
- h) **Всі ручки та поверхні для тримання інструмента мають бути сухими, без залишків мастила.** Слизькі ручки та поверхні для тримання не дозволяють безпечно працювати та контролювати інструмент у неочікуваних ситуаціях.

5) Обслуговування

- a) **Надавайте ваш електричний інструмент для обслуговування кваліфікованим спеціалістом з ремонту та використовуйте тільки ідентичні замініні деталі.** Це забезпечить безпеку електричного пристрою.

Інструкції з техніки безпеки для циркулярних верстатів


1) Застереження про захисні кожухи

- a) **Тримайте захисні кожухи на місці. Захисні кожухи мають бути в робочому стані і правильно змонтовані.** Захисний кожух, який не закріплено, пошкоджено, або він неправильно функціонує, підлягає ремонту або заміні.
- b) **Завжди використовуйте захисний кожух пильного диска і розклинюючий ніж для будь-якої наскрізної операції.** Для наскрізної різання, коли пильний диск розрізує всю товщину заготовки, захисний кожух та інші захисні пристрої допомагають знизити ризик отримання травм.
- c) **Після завершення операції (наприклад, фальцювання або розпилу), яка вимагає демонтажу захисного кожуха або**

розклинюючого ножа, негайно встановіть захисну систему назад. Захисний кожух і розклинюючий ніж допомагають знизити ризик отримання травм.

- d) **Перед включенням пилки переконайтеся, що пильний диск не стикається із захисним кожухом, розклинюючим ножом або заготовкою.** Неправильний контакт цих деталей з пильним диском може призвести до виникнення небезпечної ситуації.
- e) **Налаштуйте розклинюючий ніж, як описано у цьому керівництві.** Невірна відстань, розташування та вирівнювання може зробити цей ніж неефективним для зниження ймовірності віддачі.
- f) **Розклинюючий ніж буде працювати, лише якщо він вставлений у заготовку.** Розклинюючий ніж неефективний при різанні занадто коротких заготовок, які неможливо за нього зачепити. В таких умовах неможливо запобігти віддачі за допомогою розклинюючого ножа.
- g) **Використовуйте відповідний пильний диск для розклинюючого ножа.** Для правильної роботи розклинюючого ножа діаметр пильного диска має відповідати діаметру розклинюючого ножа, товщина пильного диска має бути менше товщини розклинюючого ножа, а ширина розрізу пильного диска має бути більше товщини розклинюючого ножа.

2) Застереження щодо процедури різання

- a)  **НЕБЕЗПЕЧНО! Ніколи не кладіть пальці або руки поблизу або на одній лінії з пильним диском.** Незначна неуважність або проковзування може направити вашу руку до пильного диска і призвести до серйозних травм.
- b) **Подавайте заготовку в пильний диск тільки проти напрямку обертання.** Подача заготовки в тому ж напрямку, в якому обертається пильний диск над столом, може привести до втягування заготовки та вашої руки в пильний диск.
- c) **Ніколи не використовуйте кутовий упор для подачі заготовки при розріві і не використовуйте напрямну планку в якості обмежувача довжини при торцюванні за допомогою кутового упору.** Одночасно спрямовуючи заготовку за допомогою напрямної планки та кутового упору, можна підвищити ймовірність заїдання і віддачі пильного диска.
- d) **При розріві завжди прикладайте зусилля при подачі заготовки між напрямною і пильним диском.** Використовуйте штовхальник, коли відстань між напрямною і пильним диском складає менше 150 мм, і штовхальний блок, коли ця відстань менше 50 мм. Допоміжні пристрої дозволяють тримати вашу руку на безпечній відстані від пильного диска.

- e) **Використовуйте тільки штовхальник, що поставляється виробником або виготовлений відповідно до інструкцій.** Цей штовхальник забезпечує достатню відстань між рукою і пильним диском.
- f) **Ніколи не використовуйте пошкоджений або порізаний штовхальник.** Пошкоджений штовхальник може зламатися, що призведе до зісковзування руки в пильний диск.
- g) **Не виконуйте жодних операцій «вільною рукою».** Для розміщення і направлення заготовки завжди використовуйте напрямну планку або кутовий упор. «Вільна рука» означає використання рук для підтримки або направлення заготовки замість напрямної планки або кутового упору. Розпливання за допомогою «вільної руки» призводить до зміщення, заїдання і віддачі.
- h) **Ніколи не тягніться навколо або над пильним диском, що обертається.** Дотик до заготовки може призвести до випадкового контакту з рухомих пильним диском.
- i) **Забезпечте допоміжну опору заготовки ззаду та/або з боків столу пилки для довгих та/або широких заготовок, щоб вони залишалися рівними.** Довга та/або широка заготовка має схильність до обертання на краю стола, що призводить до втрати контролю, заїдання пильного диска і віддачі.
- j) **Подавайте заготовку з рівномірною швидкістю.** Не згинайте і не скручуйте заготовку. Якщо станеться заклинювання, негайно вимкніть інструмент, від'єднайте його від мережі і усуньте заклинювання. Заклинювання пильного диска заготовкою може викликати віддачу або зупинити двигун.
- k) **Не виймайте шматки відрізаного матеріалу під час роботи пили.** Матеріал може застрягти між напрямною або всередині захисного кожуха пильного диска і пильним диском, втягуючи ваші пальці в пильний диск. Перш ніж видалити матеріал, вимкніть пилку і дочекайтесь зупинки пильного диска.
- l) **При розріві заготовок товщиною менше 2 мм використовуйте допоміжну напрямну в контакт з стільницею.** Тонка заготовка може заклинтити під напрямною планкою і викликати віддачу.

3) Причини віддачі та відповідні попередження

Віддача – це раптова реакція заготовки через защемлення чи заклинювання пильного диска або через неправильне розташування лінії розрізу заготовки по відношенню до пильного диска, або коли частина заготовки заїдає між пильним диском і напрямною чи іншим фіксованим об'єктом.

Найчастіше під час віддачі заготовка піднімається зі столу за задньою частиною пильного диска і рухається до оператора. Віддача є результатом невірного використання та/або некоректної роботи або невідповідних умов роботи, яких можна уникнути, уживаючи відповідних заходів, наведених нижче.

- a) **Ніколи не вставляйте прямо навпроти пильного диска. Завжди розташовуйте своє тіло з того ж боку пильного диска, що і напрямна.** Віддача може виштовхнути заготовку з великою швидкістю в бік людей, що стоять попереду та на одній лінії з пильним диском.
- b) **Ніколи не тягніться над пильним диском або за ним, щоб потягнути або підтримати заготовку.** Може статися випадковий контакт з пильним диском або віддача може привести до затягування пальців в пильний диск.
- c) **Ніколи не тримайте її не притискайте заготовку, що відрізується до пильного диска, що обертається.** Притиснення заготовки, що відрізується до пильного диска створює умови для заклинювання і віддачі.
- d) **Вирівняйте напрямну паралельно пильному диску.** Неправильно розташована напрямна притискає заготовку до пильного диска і створює віддачу.
- e) **Використовуйте гребінчастий притиск, щоб направити заготовку до столу і захисного кожуху під час виконання ненаскрізних розрізів, таких як фальцювання або розпил.** Гребінчастий притиск допомагає контролювати заготовку в разі віддачі.
- f) **Дотримуйтесь особливої обережності при виконанні розпилу в сліпих зонах зібраних деталей.** Пильний диск може натрапити на предмет, що спричинить віддачу.
- g) **Закріплюйте великі панелі для зменшення ризику затиснення диска та віддачі.** Великі панелі можуть прогинатися під власною вагою. Потрібно розташовувати опору(и) під всіма частинами панелі, що звисають над поверхнею столу.
- h) **Дотримуйтесь особливої обережності при різанні скрученої, сучкуватої, викривленої заготовки, або такої, що не має прямої кромки, щоб направляти її уздовж напрямної або за допомогою кутового упору.** Викривлена, сучкувата або скручена заготовка є нестабільною і викликає зсув пропилю від пильного диска, заклинювання і віддачу.
- i) **Ніколи не розрізуйте більше однієї заготовки, розташованої вертикально або горизонтально.** Пильний диск може зачепити одну або кілька частин і викликати віддачу.
- j) **Під час поновлення розпилювання заготовки з пильним диском у заготовці, вирівняйте пильний диск у пропилі, щоб зубці не входили**

у зчеплення з матеріалом. Якщо пильний диск зачепиться, то при повторному запуску він може підняти заготовку і викликати віддачу.

- k) **Тримайте пильні диски чистими, гострими і з достатньою комплектацією. Ніколи не використовуйте деформовані пильні диски або диски з тріщинами чи зламаними зубцями.** Гострі і правильно відрегульовані пильні диски мінімізують заклинювання, гальмування і віддачу.

4) Попередження про робочий процес циркулярного верстата

- a) **При знятті вставки для столу, заміні пильного диска або регулюванні розклинюючого ножа або захисного кожуха, а також при залишенні пристрою без нагляду викиньте циркулярний верстат і відключайте кабель живлення від мережі.** Запобіжні заходи дозволять уникнути нещасних випадків.
- b) **Ніколи не залишайте циркулярний верстат без нагляду. Вимикайте інструмент і не залишайте його до повної зупинки.** Циркулярний верстак без нагляду представляє неконтрольовану небезпеку.
- c) **Розмістіть циркулярний верстат в добре освітленому і рівному місці, де можна підтримувати хорошу опору і рівновагу.** Установку потрібно проводити в місці, що забезпечує достатньо простору для зручності роботи з заготовкою необхідного розміру. Занадто тісні, темні ділянки і нерівні слизькі підлоги можуть стати причиною нещасних випадків.
- d) **Регулярно очищуйте і видаляйте тирсу з-під столу пилки та/або пристрою для збирання пилу.** Накопичена тирса є горючою і може займатися.
- e) **Циркулярний верстат повинен бути закріплений.** Неправильно закріплений циркулярний верстат може зрушитись або перекинутись.
- f) **Перед включенням циркулярного верстата необхідно прибрати зі столу інструменти, деревні відходи тощо.** Відволікання або потенційне заклинювання можуть бути небезпечними.
- g) **Завжди використовуйте пильні диски відповідного розміру та з правильною формою отворів оправлення (ромбоподібні або круглі).** Пильні диски, що не відповідають кріпильним пристосуванням пилки, обертаються несиметрично відносно центру, що може призвести до втрати контролю.
- h) **Ніколи не використовуйте пошкоджені або неправильні кріпильні пристосування пильного диска, такі як фланці, шайби, болти або гайки.** Ці кріпильні пристосування були спеціально розроблені для вашої пилки, для її безпечної експлуатації та оптимальної роботи.

- i) Ніколи не вставляйте на циркулярний верстат, не використовуйте його в якості стільця-**драбини**. У разі перекидання або випадкового дотику до ріжучого інструменту можливі важкі травми.
- j) **Переконайтесь, що пильний диск встановлений для обертання в правильному напрямку. Забороняється використовувати на циркулярних верстатах шліфувальні круги, дротяні щітки або абразивні диски.** Неправильне встановлення пильного диска або використання не ухваленого приладдя може призвести до серйозних травм.

Додаткові правила безпеки при роботі з пильними верстатами



УВАГА: Різання пластмаси, заболони деревини з покриттям та інших матеріалів може призвести до накопичення розплавленого матеріалу на кінчиках пильного диска і його корпусі, збільшуючи ризик перегрівання і заїдання диска при різанні.

- Переконайтесь, що диск обертається в правильному напрямку, а зубці спрямовані до передньої частини пильного верстата.
- Перед виконанням будь-якої роботи перевірте, щоб були затягнені всі затискні рукоятки.
- Переконайтесь, що весь диск і фланці чисті, а більша поверхня затискної шайби щільно прилягає до диска. Затягніть гайку оправлення до упору.
- Переконайтесь, що розклинюючий ніж налаштовано на вірній від диска відстані — не більше 8 мм.
- Заборонено працювати з пилюю, якщо верхній і нижній захисний кожухи не встановлені на місце.
- Не наносіть мастила на диск під час його роботи.
- Якщо штовхальник не використовується, тримайте його у місці для зберігання.
- Не використовуйте захисний кожух під час завантаження-розвантаження або транспортування.
- Не докладайте бокового зусилля до пильного полотна.
- Заборонено різати легкі сплави. Пристрій не призначений для цього способу застосування.
- Не використовуйте абразивні диски або алмазні відрізи круги.
- Фальцювання, прорізання пазів або каналок не допускаються.
- У випадку неполадки пристрою негайно вимкніть його та відключіть від мережі живлення. Заявіть про неполадку та помітьте пристрій відповідним чином, щоб інші люди не використовували пошкоджений інструмент.
- Якщо пильний диск блокується через надмірну силу подачі при розпилюванні, ЗАВЖДИ вимикайте пристрій та відключайте його від мережі живлення. Витягніть заготовку та переконайтесь, що пильне полотно рухається вільно. Увімкніть пристрій та почніть розпилювання знову з меншою силою подачі.

- НІКОЛИ не намагайтеся розрізати ступку незакріпленого матеріалу, бо це може призвести до втрати контролю або віддачі. Забезпечте надійну опору для всіх матеріалів.
- Подбайте про правильне розміщення захисного кожуху диска. При розпилюванні він завжди повинен бути звернений лицьовою стороною до заготовки.

Пильні диски

- Не використовуйте пильні диски, які не відповідають розмірам, вказаним у розділі **Технічні дані**. Не використовуйте прокладки для установки диска на шпindel. Використовуйте лише диски, зазначені в цьому керівництві, які відповідають стандарту EN847-1, якщо вони призначені для дерева і подібних матеріалів.
- Максимальна швидкість пильного диска завжди повинна перевищувати або, принаймні, дорівнювати швидкості, вказаній на паспортній табличці інструмента.
- Діаметр пильного диска повинен відповідати маркуванню на паспортній табличці інструмента.
- Пропонується використовувати спеціальні нешумні пильні диски.
- Не використовуйте пильні диски зі швидкорізальної сталі (HS).
- Не використовуйте тріснути та пошкоджені пильні полотна.
- Переконайтесь, що вибраний пильний диск відповідає матеріалу, що підлягає різанню.
- Завжди надягайте рукавички для роботи з пильними полотнами і грубим матеріалом. За можливості пильні диски необхідно переносити в тримачі.

Залишкові ризики

Наступні ризики можуть залишитися при використанні пилок:

- травми через контакт з деталями, що обертаються,
- Дотримання всіх правил техніки безпеки та застосування пристроїв безпеки не гарантує уникнення певних залишкових ризиків. До такого переліку належать:
- Порушення слуху.
 - Ризик нещасного випадку, викликаний незакритими деталями пильного диска, що обертається.
 - Ризик травмування при заміні пильного диска голими руками.
 - Ризик затиснення пальців при відкритті захисних кожухів.
 - небезпека для здоров'я через вдихання пилу, що утворюється при розпилюванні деревини, особливо дубу, берези та ДВП.

На формування шуму впливають такі фактори:

- відрізний матеріал
- тип пильного диска
- зусилля подачі
- технічне обслуговування пристрою

На контакт з пилом впливають такі фактори:

- зношений пильний диск
- пристрій для видалення пилу зі швидкістю повітряного потоку менше 20 м/с.
- неточно направлена заготовка

Електрична безпека

Електричний двигун розроблений для роботи лише з одним значенням напруги. Завжди перевіряйте відповідність джерела живлення напрузі, яка вказана на таблиці з паспортними даними.



Ваш інструмент виробництва компанії DEWALT має подвійну ізоляцію відповідно до EN62841, тому заземлення не є необхідним.

Якщо кабель живлення пошкоджений, його заміну може проводити тільки компанія DEWALT або авторизований сервісний центр.

ПРИМІТКА: Даний інструмент призначений для підключення до системи подачі живлення з максимальним допустимим опором $Z_{max} = 0,25 \Omega$ в точці доступу користувача (блок живлення). Користувач повинен переконатися, що цей пристрій підключений до системи живлення, яка задовольняє перераховані вище умови. При потребі у незалежній точці підключення користувач може звернутися до послуг компанії, що забезпечує комунальну систему енергоспоживання.

Заміна мережевої вилки (тільки для Великої Британії та Ірландії)

Якщо потрібно встановити нову вилку, виконайте кілька дій. Зніміть стару вилку та утилізуйте її, дотримуючись правил техніки безпеки.

Приєднайте коричневий провідник до активного виходу вилки.

Приєднайте блакитний провідник до нейтрального виходу.



УВАГА: Жоден провід не повинен бути підключений до клеми заземлення.

Дотримуйтесь інструкцій щодо встановлення, які постачаються з якісними вилками. Плавкий запобіжник, що рекомендується: 13 А.

Використання електричного подовжувача

Якщо необхідний подовжувач, використовуйте рекомендований 3-жильний подовжувальний шнур, що підходить для споживаної потужності інструмента (див. розділ «Технічні характеристики»). Мінімальний розмір провідника становить 1,5 мм²; максимальна довжина — 30 м.

У разі використання кабельного барабану завжди витягуйте весь кабель.

Комплект поставки

Комплект містить:

- 1 Частково зібраний пристрій
- 1 Напрямна планку в зборі
- 1 Кутову планку
- 1 Пильний диск

1 Верхній захисний кожух диска в зборі

1 Захисну пластину

2 Гайкових ключі для диска

1 Адаптер для видалення пилу

1 Керівництво з експлуатації

• *Перевірте інструмент, деталі та приладдя на пошкодження, що могли виникнути під час транспортування.*

• *Перед використанням уважно прочитайте та повністю зрозумійте це керівництво.*

Маркировка на інструменті

На інструмент нанесені наступні позначення:



Перед началом работы прочтите руководство по эксплуатации.



Используйте защитные наушники.



Используйте защитные очки.



Используйте защитную маску.



Держите руки на расстоянии от зоны пиления и пильного диска.



Место для переноски.

Розташування коду дати (Рис. [Fig.1 A])

Код дати **25**, що включає також рік виробництва, зазначений на корпусі.

Приклад:

2019 XX XX

Рік виробництва

Опис (Рис. А, С)



УВАГА: Ніколи не модифікуйте електричні інструменти та їхні деталі. Це може призвести до пошкодження майна або тілесних ушкоджень.

- | | |
|-----------------------------------|---|
| 1 Стіл | 11 Захисний кожух диска в зборі |
| 2 Різальне полотно | 12 Ручка для перенесення |
| 3 Показчик шкали розриву | 13 Порт для пилівідведення |
| 4 Ручка точного регулювання | 14 Порт для пилівідведення із захисного кожуха |
| 5 Важіль фіксації напрямної | 15 Захисна пластина |
| 6 Колесо регулювання висоти диска | 16 Напрямна планка |
| 7 Важіль фіксації кута нахилу | 17 Фіксатор напрямної планки |
| 8 Вузол увімкнення/вимкнення | 18 Вузька напрямна планка/подовжувач опори |
| 9 Монтажні отвори | 19 Гайкові ключі для диска (в положенні зберігання) |
| 10 Кутувий упор | |

- | | |
|---|--|
| <p>20 Штовхальник (в положенні зберігання)</p> <p>21 Розклинюючий ніж (для ненаскрізного розпилювання) (рис. С)</p> | <p>22 Сховище для кутового упору</p> <p>23 Тримач кабелю</p> <p>24 Монтажні отвори для кронштейнів DE7400</p> |
|---|--|

Область застосування

Циркулярний верстат був розроблений для професійного розриву, торцювання, різання скосів та фасок для таких різних матеріалів, як деревина та пластмаса.

НЕ використовуйте за умов підвищеної вологості або в присутності легкозаймистих рідин та газів.

Цей циркулярний верстат є професійним електричним інструментом.

НЕ дозволяйте дітям торкатися інструмента. Використання інструмента недосвідченими операторами потребує нагляду.

- Цей пристрій не призначений для використання особами (включаючи дітей) зі зниженими фізичними, сенсорними або розумовими можливостями або особами, яким бракує досвіду або знань, за винятком випадків, коли такі особи працюють під наглядом особи, яка несе відповідальність за їхню безпеку. Не можна залишати дітей наодинці з цим пристроєм.

МОНТАЖ ТА НАЛАШТУВАННЯ

- !** **ПОПЕРЕДЖЕННЯ:** Щоб знизити ризик серйозних травм, вимкніть інструмент та відключіть його від мережі живлення перед виконанням будь-яких налаштувань або змінням/встановленням насадок або приладдя. Випадковий запуск може призвести до травм.

Розпакування

- Обережно вийміть пилку з пакувального матеріалу.
- Пристрій повністю зібраний, за винятком напрямної планки, кутового упору, адаптера для видалення пилу та захисного кожуха диска.
- Завершіть збірку, дотримуючись інструкцій, описаних нижче.

Монтаж пильного полотна (рис. А, В)

- !** **УВАГА:** Щоб знизити ризик серйозних травм, вимкніть інструмент та відключіть його від мережі живлення перед виконанням будь-яких налаштувань або змінням/встановленням насадок чи аксесуарів. Випадковий запуск може призвести до травм.
- !** **УВАГА:** Для зниження ризику травмування одягайте рукавиці під час роботи з пильним диском.
- !** **УВАГА:** Зубці нового диска дуже гострі і можуть бути небезпечними.
- !** **УВАГА:** Пильний диск **СЛІД** замінювати, як описано в цьому розділі. Використовуйте **ЛИШЕ** пильні диски, вказані в розділі «Технічні характеристики». Ми пропонуємо DT99565. **НИКОЛИ** не використовуйте інші пильні диски.

ПРИМІТКА: Цей інструмент має встановлений на заводі диск.

- Підійміть оправлення пильного диска на максимальну висоту, повертаючи колесо регулювання висоти диска **6** за годинниковою стрілкою.
- Зніміть захисну пластину **15**. Див. розділ «**Монтаж захисної пластини**».
- За допомогою гайкових ключів **19** послабте та зніміть гайку оправлення **26** і затиску шайбу **27** з оправлення диска, повернувши їх проти годинникової стрілки.
- Помістіть пильний диск в оправлення **28**, переконавшись, що зубці диска **2** спрямовані вниз в передній частині верстата. Встановіть шайби і гайку оправлення на шпindel і затягніть гайку оправлення **26** до упору вручну, так щоб пильний диск був навпроти внутрішньої шайби, а зовнішня затиска шайба **27** — навпроти диска. Переконайтеся, що найбільший діаметр фланця знаходиться навпроти диска. Переконайтеся, що на шпindelі і шайбах немає пилу і сміття.
- Щоб уникнути обертання шпindelа при затягуванні гайки оправлення, використовуйте незамкнутий зів гайкового ключа для диска **19**, щоб закріпити шпindel.
- Використовуючи замкнутий зів гайкового ключа для диска, затягніть гайку оправлення **26** до упору, повернувши її за годинниковою стрілкою.
- Замініть захисну пластину.

- !** **УВАГА:** Завжди перевіряйте покажчик напрямної планки і захисний кожух диска після заміни диска.

Встановлення/зняття захисного кожуха диска/розклинюючого ножа (рис. А, С)

- !** **УВАГА:** Використовуйте захисний кожух для наскрізного різання.

- Підійміть оправлення пильного диска на максимальну висоту.
 - Послабте ручку блокування розклинюючого ножа **29** (мінімум на три оберти).
 - Щоб від'єднати стопорний штифт розклинюючого ножа, потягніть за ручку блокування, як зазначено чорними стрілками на ручці.
 - Потягнувши за ручку блокування, витягніть розклинюючий ніж із затиску. Потім вставте захисний кожух диска **11** в затиск до упору.
- ПРИМІТКА:** Не встановлюйте захисний кожух диска і розклинюючий ніж в затиск одночасно.
- Відпустіть ручку блокування, щоб зачепити стопорний штифт. Злегка потягніть захисний кожух диска вгору, щоб переконалися, що штифт зачеплений.
 - Затягніть ручку блокування розклинюючого ножа.
- ПРИМІТКА:** Виконайте ту ж процедуру для розклинюючого ножа.

- !** **УВАГА:** Перед підключенням циркулярного верстата до джерела живлення або роботою з пилкою завжди перевіряйте захисний кожух диска на правильність вирівнювання та зазору з пильним диском.

Перевіряйте вирівнювання після кожної зміни кута нахилу.



УВАГА: Щоб знизити ризик отримання серйозних травм, НЕ працюйте з пилюкою, якщо вузол диска надійно не закріпленій на місці.

У разі правильного вирівнювання розклинюючий ніж **21** буде співпадати з диском як на рівні поверхні столу, так і у верхній частині диска. Використовуючи кутник, переконайтеся, що диск **2** вирівняно відносно розклинюючого ножа **21**. При відключеному живленні налаштуйте кут нахилу і висоту диска за допомогою крайніх значень ходу і переконайтеся, що захисний кожух диска очищає диск у всіх операціях.



УВАГА: Правильний монтаж і вирівнювання захисного кожуха диска дуже важливі для безпечної роботи!

Монтаж захисної пластини (рис. D)

1. Вирівняйте захисну пластину **15**, як показано на рис. D, і вставте виступи на задній стороні захисної пластини в прорізи на задній частині отвору столу.
2. Поверніть фіксуючий гвинт **30** за допомогою викрутки за годинниковою стрілкою на 90°, щоб зафіксувати вставку для столу на місці.
3. Захисна пластинка містить чотири регулювальних гвинта, які підіймають або опускають захисну пластину. При правильному налаштуванні передня частина захисної пластини повинна бути врівень або трохи нижче поверхні столу і закріплена на місці. Задня частина захисної пластини повинна бути врівень або трохи вище поверхні столу.



УВАГА: Ніколи не використовуйте пристрій без захисної пластини. негайно замініть захисну пластину при зношуванні або пошкодженні.

Зняття захисної пластини

1. Зніміть захисну пластину **15**, повернувши фіксуючий гвинт **30** викруткою на 90° проти годинникової стрілки
2. Потягніть захисну пластину вгору і вперед, щоб відкрити внутрішню частину пилки. НЕ працюйте з пилюкою без захисної пластини.

Встановлення напрямної планки (рис. E)

Напряму планку можна встановити в двох положеннях праворуч (Положення 1 **47** для розриву від 0 до 510 мм і Положення 2 **47** для розриву від 100 до 610 мм) і в одному положенні ліворуч від циркулярного верстата.

1. Розблокуйте фіксатори напрямної планки **17**.
2. Утримуючи планку під кутом, вирівняйте центрувальні штифти **47** (передній і задній), що знаходяться на напрямних планки, з пазами для головки планки **31**.
3. Одягніть пази для головки на штифти і повертайте планку вниз, дпоки вона не спіратиметься на напрямні.
4. Зафіксуйте планку на місці, заблокувавши передній і задній фіксатори **17** на напрямних.

Кріплення до верстата (рис. A)

- Станина пристрою між ніжками з кожного боку має по два отвори **9** для кріплення на верстаті. Використовуйте отвори по діагоналі.
- Щоб покращити обробку, закріпіть пристрій на фанері товщиною не менше 15 мм.

Під час використання фанерний лист можна затиснути на верстаті. Це полегшує транспортування пристрою, звільняючи затискачі.

Отвори **24** також передбачені під ніжками пилки для кріплення до кронштейнів DE7400.

РЕГУЛЮВАННЯ

Регулювання диска

Вирівнювання диска (паралельно до отвору кутового упору) (рис. F)



УВАГА: Небезпека порізів. Перевірте диск під кутом 0° і 45°, аби переконатися, що він не б'ється о захисну пластину, що може привести до травм.

Якщо здається, що диск не вирівняно відносно отвору кутового упору на поверхні столу, його треба відкалібрувати для вирівнювання. Щоб вирівняти диск і отвір кутового упору, використовуйте таку процедуру:



УВАГА: Щоб знизити ризик серйозних травм, вимкніть інструмент та відключіть його від мережі живлення перед виконанням будь-яких налаштувань або зніманням/встановленням насадок чи аксесуарів. Випадковий запуск може призвести до травм.

1. За допомогою шестигранного гайкового ключа на 5 мм послабте кріплення заднього поворотного кронштейна **32**, розташовані в нижній частині столу, якраз настільки, щоб кронштейн міг переміщатися з одного боку в інший бік.
2. Налаштуйте кронштейн так, щоб диск розташовувався паралельно отвору кутового упору.
3. Затягніть кріплення заднього поворотного кронштейна з моментом 12,5-13,6 Нм.

Регулювання висоти диска (рис. A)

Диск можна підіймати і опускати, повертаючи колесо регулювання висоти диска **6**.

Переконайтеся, що верхні три зубці диска просто проривають поверхню заготовки при розпилюванні. Це гарантує, що максимальна кількість зубців видаляє матеріал в будь-який момент часу, тим самим забезпечуючи оптимальну продуктивність.

Вирівнювання захисного кожуха з диском (рис. G)

1. Зніміть захисну пластину. Див. пункт «Зняття захисної пластини» в розділі «Збірка та регулювання».
2. Підійміть диск на всю глибину різання під кутом нахилу 0°.

3. Встановіть три маленькі регулюючі гвинти **33**. Ці гвинти будуть використовуватися для регулювання положення розклинюючого ножа.
4. Прикладіть кутник до двох кінчиків пильного диска на столі. Розклинюючий ніж не повинен торкатися кутника.
5. Якщо необхідне регулювання, послабте два великих стопорних гвинта **34**.
6. Використовуйте маленькі регулюючі гвинти **33**, щоб відрегулювати положення розклинюючого ножа. Покладіть кутник на протилежну сторону диска і за необхідності повторіть регулювання.
7. Злегка затягніть два більших стопорних гвинта **34**.
8. Прикладіть плаский кутник до розклинюючого ножа, щоб переконатися, що розклинюючий ніж розташований вертикально і співвісно із диском.
9. Якщо необхідно, використовуйте регулюючі гвинти, щоб вирівняти розклинюючий ніж по вертикалі до кутника.
10. Повторіть крок 4, щоб перевірити стан розклинюючого ножа. Повторіть кроки 5-9 за необхідності.
11. Повністю затягніть два більших стопорних гвинта **34**.

Паралельне регулювання (рис. А, Н, I)

Щоб забезпечити оптимальну роботу, диск має розташовуватися паралельно напрямній планці. Це налаштування здійснюється на заводі. Щоб здійснити повторне регулювання, виконайте такі дії:

Вирівнювання планки в положенні 1

1. Встановіть планку в положення 1, щоб відпустити важіль фіксації напрямної **5**. Встановіть обидва центрувальні штифти **47**, які підтримують планку на передній та задній напрямних.
2. Послабте гвинт заднього центрувального штифта і забезпечте вирівнювання планки в канавці так, щоб поверхня планки розташовувалась паралельно диску. Щоб забезпечити правильність вирівнювання, переконайтеся, що ви робите вимірювання від поверхні планки до передньої і задньої частин диска.
3. Затягніть центрувальний гвинт і повторіть цю операцію для лівого боку диска.
4. Перевірте регулювання покажчика шкали розриву (рис. I).

Вирівнювання планки в положенні 2 (рис. Н)

1. Щоб вирівняти центрувальні штифти планки **47** в положенні 2, переконайтеся, що були штифти в положенні 1 вже вирівняно, див. розділ **«Вирівнювання планки в положенні 1»**.
2. Послабте штифти в положенні 2 та вирівняйте їх, використовуючи отвори на гайковому ключі для диска **19** як напрямну для позиціонування (рис. Н).
3. Затягніть центрувальні штифти (передній та задній).

Регулювання шкали розриву (рис. Н, I)

1. Розблокуйте важіль фіксації напрямної **5**.

2. Установіть ніж під кутом 0° і посуňte планку так, щоб вона торкалася диска.
3. Заблокуйте важіль фіксації напрямної.
4. Послабте гвинти індикатора шкали розриву **35** і встановіть індикатор шкали розриву на нульове значення **(0)**. Затягніть гвинти індикатора шкали розриву. Жовта шкала розриву (вгорі) зчитується вірно лише тоді, якщо планка встановлена праворуч від диска і знаходиться в положенні 1 **47** (для розриву від 0 до 510 мм), а не в положенні розриву 610 мм. Біла шкала (вниз) зчитується вірно лише тоді, якщо планка встановлена праворуч від диска і знаходиться в положенні 2 **47** (для розриву від 100 до 610 мм).

Шкала розриву зчитується вірно лише тоді, якщо планка встановлена праворуч від диска.

Регулювання фіксації напрямної (рис. I, J)

Фіксатор напрямної був встановлений на заводі. Щоб здійснити повторне регулювання, виконайте такі дії:

1. Заблокуйте важіль фіксації напрямної **5**.
2. На нижньому боці пилки послабте контргайку **36**.
3. Затягніть шестигранний стрижень **37** так, щоб пружина на системі фіксації стислася, створюючи необхідне натягування на важелі фіксації напрямної. Знову затягніть контргайку відносно шестигранного стрижня.
4. Переверніть пилку та переконайтеся, що планка не рухається при натисненому важелі фіксації. Якщо планка все ще послаблена, додатково затягніть пружину.

Регулювання обмежувача та покажчика кута нахилу (рис. К)

1. Повністю підійміть диск, обертаючи колесо регулювання висоти диска **6** за годинниковою стрілкою до упору.
2. Відпустіть важіль фіксації кута нахилу **7**, натиснувши на нього вгору і вправо. Послабте гвинт обмежувача кута нахилу **38**.
3. Прикладіть плаский кутник до диска між зубцями на стільниці. Переконайтеся, що важіль фіксації кута нахилу знаходиться у розблокованому або верхньому положенні.
4. За допомогою важеля фіксації кута нахилу відрегулюйте кут нахилу так, щоб він щільно прилягав до плаского кутника.
5. Затягніть важіль фіксації кута нахилу, натиснувши на нього вниз.
6. Поверніть гвинт обмежувача кута нахилу **38** так, щоб повернути кулачок до його щільного зіткнення з блоком підшипника. Затягніть гвинт обмежувача кута нахилу.
7. Перевірте шкалу кута нахилу. Якщо покажчик не зчитує 0°, послабте гвинт покажчика **39** і перемістіть покажчик так, щоб він зчитував кути правильно. Знову затягніть гвинт покажчика.
8. Повторіть цю операцію під кутом 45°, але не налаштовуйте покажчик.

Регулювання кутового упору (рис. А)

Щоб відрегулювати кутовий упор **10**, послабте ручку, встановіть потрібний кут і затягніть ручку.

Положення тіла та рук

Вірне розташування тіла та рук при роботі з циркулярним верстатом робить різання більш простим, точним та безпечним.



УВАГА:

- Ніколи не розташовуйте руки біля ріжучих поверхонь.
- Не розташовуйте руки ближче ніж 150 мм від пильного полотна.
- Не схрещуйте руки.
- Утримуйте обидві ноги на підлозі та утримуйте рівновагу.

Перед експлуатацією



УВАГА:

- Встановіть відповідне пильне полотно. Не використовуйте пильні диски, які занадто зношені. Максимальна швидкість обертання пильного диска не може перевищувати швидкість обертання шпінделю торцювальної пилки.
- Не намагайтесь розпилювати занадто малі заготовки.
- Дозвольте пильному диску вільно різати. Не прикладайте силу.
- Не починайте роботу, доки двигун не набере обертів.
- Ніколи не тримайте руки на шляху пильного диску, коли пилка підключена до електричної мережі.
- Ніколи не використовуйте пилку для різання «вільною рукою»!
- Не розпилюйте викривлені, вигнуті або чашоподібні заготовки. Повинна бути хоча б одна пряма, гладка сторона, яка рухається проти напрямної планки або кутової планки.
- Завжди опирайте довгі заготовки, щоб запобігти віддачі.
- Не видаляйте обрізки в області диска під час його роботи.

РЕЖИМ РОБОТИ

Інструкції з використання



ПОПЕРЕДЖЕННЯ: Завжди дотримуйтесь усіх інструкцій з техніки безпеки та відповідних норм.



ПОПЕРЕДЖЕННЯ: Щоб знизити ризик серйозних травм, вимкніть інструмент та відключіть його від мережі живлення перед виконанням будь-яких налаштувань або зніманням/встановленням насадок або приладдя. Випадковий запуск може призвести до травм.

Щоб зменшити вплив підвищеної вібрації переконайтесь, що температура навколишнього середовища не є занадто низькою, пристрій та аксесуари в доброму стані, а розмір заготовки підходить для обробки даним пристроєм.



УВАГА:

- завжди дотримуйтесь усіх інструкцій з техніки безпеки та відповідних норм.
- Переконайтесь, що інструмент встановлений за ергономічних умов з точки зору висоти столу та стійкості. Місце розташування пристрою повинно бути таким, щоб оператор мав добрий огляд та достатньо вільного місця

навколо пристрою, щоб можна було працювати без обмежень.

- Встановіть відповідне пильне полотно. Не використовуйте пильні диски, які занадто зношені. Максимальна допустима швидкість обертання, що вказана на пильному диску, повинна бути не меншою за максимальну швидкість обертання шпінделю торцювальної пилки.
- Не намагайтесь розпилювати занадто малі заготовки.
- Дозвольте пильному диску вільно різати. Не прикладайте силу.
- Не починайте роботу, доки двигун не набере обертів.
- Переконайтесь, що всі поворотні рукоятки та фіксатори затягнені.
- Ніколи не тримайте руки на шляху пильного диску, коли пилка підключена до електричної мережі.
- Ніколи не використовуйте пилку для різання «вільною рукою»!
- Не розпилюйте викривлені, вигнуті або чашоподібні заготовки. Повинна бути хоча б одна пряма, гладка сторона, яка рухається проти напрямної планки або кутової планки.
- Завжди опирайте довгі заготовки, щоб запобігти віддачі.
- Не видаляйте обрізки в області диска під час його роботи.

Увімкнення/вимкнення (рис. А, L)

Вузол увімкнення/вимкнення **8** пильного верстата дає безліч переваг:

- Функція вимкнення при нульовій напрузі: якщо живлення вимикається з будь-якої причини, необхідно спеціально натиснути цей перемикач ще раз.
- Щоб увімкнути пристрій, натисніть зелену кнопку пуску **40**.
- Щоб вимкнути пристрій, натисніть червону кнопку зупинки **41**.

Інструкція з функції блокування

Кришка над перемикачем відкидається для установки навісного замка, щоб заблокувати пилку. Рекомендується навісний замок з максимальним діаметром 6,35 мм і мінімальним зазором 76,2 мм.

Робота напрямної планки (рис. А, М)

Важіль фіксації напрямної

Важіль фіксації напрямної **5** блокує планку на місці, не даючи їй рухатись під час різання. Щоб заблокувати важіль фіксації напрямної, натисніть його вниз і в напрямку задньої сторони пилки. Щоб розблокувати важіль фіксації напрямної, потягніть його вгору і в напрямку передньої сторони пилки.

ПРИМІТКА: При розриві завжди блокуйте важіль фіксації напрямної.

Подовжувач робочої опори / вузька напрямна планка

Циркулярний верстат оснащений подовжувачем робочої опори для підтримки роботи, що виходить за межі столу пилки.

Щоб використовувати вузьку напрямну планку в положенні робочої опори, поверніть її з положення зберігання, як показано на рис. М, і вставте штифти в нижні набори пазів **42** на обох кінцях планки.

Щоб використовувати вузьку напрямну планку в положенні вузького розриву, вставте штифти в верхні набори пазів **43** на обох кінцях планки. Ця особливість дасть диску додатковий зазор в 51 мм. Див. рис. М.

ПРИМІТКА: Втягніть подовжувач робочої опори або зафіксуйте його в положенні вузького розриву при роботі над столом.

Ручка точного регулювання

Ручка точного регулювання **4** дозволяє виконувати менші регулювання під час встановлення планки. Перед початком регулювання переконайтеся, що важіль фіксації напрямної знаходиться у верхньому або розблокованому положенні.

Показчик шкали розриву

При перемиканні між дисками для товстого та тонкого пропили необхідно відрегулювати показчик шкали розриву, щоб забезпечити правильну роботу напрямної планки. Показчик шкали розриву зчитується вірно лише для положення 1 (від 0 до 510 мм), однак для положення 1 з використанням вузької напрямної планки слід додавати 52 мм. Див. пункт «**Регулювання шкали розриву**» в розділі «**Збірка та регулювання**».

Основні способи різання

Розрив (рис. А, N)



УВАГА: Гострі краї.

1. Встановіть диск під кутом 0°.
2. Заблокуйте фіксатор напрямної планки **17** (рис. А).
3. Підійміть диск так, щоб він знаходився приблизно на 3 мм вище поверхні заготовки.
4. Відрегулюйте положення планки, див. розділ «**Робота напрямної планки**».
5. Тримайте заготовку плоско на столі і притисніть до напрямної планки. Тримайте заготовку подалі від диска.
6. Тримайте обидві руки подалі від диска.
7. Увімкніть пристрій і дайте диску вийти на повну швидкість.
8. Повільно подавайте заготовку під захисний кожух, міцно притискаючи її до напрямної планки. Дайте зубцям різати і не прошовуйте заготовку крізь диск. Швидкість диска має бути постійною.
9. При роботі поряд із диском завжди використовуйте штовхальник **20** (рис. N).

10. Після завершення різання вимкніть пристрій, дайте диску зупинитися і витягніть заготовку.



УВАГА:

- Ніколи не штовхайте і не тримайте «вільну» або відрізану частину заготовки.
- Не розпилюйте занадто малі заготовки.
- При розриві дрібних заготовок завжди використовуйте штовхальник.

Різнання фасок (Рис. А)



УВАГА: Не допускайте розриву фаски на (лівій) стороні диска зі знятою фаскою.

1. Щоб встановити необхідний кут нахилу, поверніть важіль **7**, потягнувши його вгору і праворуч.
2. Встановіть необхідний кут, поверніть важіль, натиснувши його вниз і ліворуч, щоб зафіксувати на місці.
3. Продовжуйте розрив.

Торцювання та торцювання зі зняттям фаски

1. Зніміть напрямну планку і встановіть кутовий упор в отвір.
2. Зафіксуйте кутовий упор під кутом 0°.
3. Продовжуйте розрив.

Різнання під кутом (Рис. А)

1. Встановіть кутовий упор **10** на потрібний кут.

ПРИМІТКА: Завжди міцно притискайте заготовку до поверхні кутового упору.

2. Продовжуйте розрив.

Комбіноване різання під кутом

Цей спосіб різання є поєднанням різання фасок під кутом. Встановіть фаску на потрібний кут і продовжуйте торцювання під кутом.

Підтримка довгих заготовок

- Завжди добре фіксуйте довгі заготовки.
- Підтримуйте довгі заготовки, використовуючи будь-які звичайні засоби, як пильні козли або аналогічні пристрої для підтримки кінців заготовки.



Видалення пилу (рис. А)

Пил від таких матеріалів, як покриття, що містять свинець, і деякі породи деревини, може завдати шкоди здоров'ю. Вдихання пилу може викликати алергічні реакції та/або привести до респіраторних інфекцій у користувача або сторонніх осіб. Певні види пилу, такі як дубовий або буковий пил, вважаються канцерогенними, особливо у поєднанні з добавками для обробки деревини.

При роботі з матеріалами дотримуйтеся правил, що діють у вашій країні.

Пилосос має відповідати оброблюваному матеріалу.

При сухому прибиранні пилососом, особливо шкідливого для здоров'я або канцерогенного пилу, використовуйте пилосос класу М.

На задній стороні пристрою є порт для пиловідведення **13**, що підходить під обладнання для видалення пилу зі штуцерами діаметром 57/65 мм. У комплекті з пристроєм поставляється редукторний порт, що використовується з штуцерами для видалення пилу діаметром 34–40 мм. Захисний кожух диска також оснащений портом пиловідведення **14** для штуцерів діаметром 35 мм і системи AirLock.

- Під час усіх операцій підключайте пристрій для видалення пилу, розроблений відповідно до норм щодо видалення пилу.
- Переконайтесь, що використовуваний шланг для видалення пилу придатний для конкретного способу застосування та відрізного матеріалу. Забезпечте правильне управління шлангами.
- Для підключення обох портів до одного пристрою для видалення пилу пропонується розгалужувальний аксесуар.
- Майте на увазі, що такі штучні матеріали, як ДСП або МДФ, утворюють більше пилових частинок під час різання, ніж натуральна деревина.

Зберігання (рис. А, O)

1. Прикріпіть штовхальник **20** до планки.
2. Зніміть захисний кожух диска **11**. Див. розділ «**Встановлення/зняття захисного кожуха диска/розклинюючого ножа**». Помістіть захисний кожух диска в тримач, як показано на малюнку, і поверніть фіксатор на 1/4 обороту, щоб зафіксувати його.
3. Всуňte замкнутий зів гайкового ключа для диска **19** у засувку і закріпіть на місці гайкою-баранцем.
4. Вставте направляючий стрижень кутового упору **10** в кишеню до упору.
5. Зніміть розклинюючий ніж для ненаскрізного розпилювання **21**. Див. розділ «**Встановлення/зняття захисного кожуха диска/розклинюючого ножа**». Помістіть розклинюючий ніж для ненаскрізного розпилювання в тримач, як показано на малюнку, і поверніть фіксатор на 1/4 обороту, щоб зафіксувати його. Розклинюючий ніж для ненаскрізного розпилювання можна також встановити і зберігати в нормальному положенні.
6. Щоб зберігати напрямну планку **16**, зафіксуйте робочу опору в положенні зберігання. Зніміть планку з напрямних. Прикріпіть планку догори дном на лівій стороні пилки. Поверніть фіксатори планки для забезпечення кріплення.
7. Поверніть маховичок **6** проти годинникової стрілки так, щоб зубці пильного диска опинилися нижче столу пилки **1**.
8. Обмотайте мережевий кабель навколо тримача кабелю **23**.

Транспортування (рис. А)

- Вимкніть інструмент та відключіть його від джерела живлення.

- Обмотайте мережевий кабель навколо тримача кабелю **23**.
- Зніміть усі аксесуари, які не можна надійно прикріпити до електричного інструменту.
- Втягніть подовжувач робочої опори.
- Завжди переносьте пристрій за ручки для перенесення **12**.



УВАГА: Завжди транспортуйте пристрій з встановленим верхнім захисним кожухом диска.

ТЕХНІЧНЕ ОБСЛУГОВУВАННЯ

Ваш електричний інструмент призначений для роботи протягом довгого часу з мінімальним обслуговуванням. Довга задовільна робота приладу залежить від належного обслуговування приладу та регулярного його очищення.



ПОПЕРЕДЖЕННЯ: Щоб знизити ризик серйозних травм, вимкніть інструмент та відключіть його від мережі живлення перед виконанням будь-яких налаштувань або змінанням/встановленням насадок або приладдя. Випадковий запуск може призвести до травм.



Змащування (рис. P)

Мотор і підшипники не потребують додаткового змащування. Якщо стає важко підіймати та опускати диск, очистіть та змастіть гвинти для регулювання висоти:

1. Від'єднайте пилку від джерела живлення.
2. Поверніть пилку на бік.
3. Очистіть і змастіть різьблення гвинтів для регулювання висоти **44** на нижній стороні цієї пилки, як показано на рис. P. Використовуйте мастило загального призначення.



Очищення (рис. А, Q)



УВАГА: Коли пил та бруд стають помітними та починають накопичуватися біля вентиляційних отворів, видавайте бруд та пил зсередини основного корпусу за допомогою сухого повітря. Використовуйте рекомендовані засоби захисту органів зору та рекомендовану протипилову маску при виконанні цієї операції.



УВАГА: Ніколи не використовуйте розчинники та інші агресивні хімічні засоби для очищення неметалевих деталей інструмента. Такі хімічні речовини можуть нанести шкоду матеріалам, що використовуються в цих деталях. Використовуйте вологу ганчірку, змочену лише водою з м'яким милом. Не дозволяйте рідині потрапляти всередину інструмента та ніколи не занурюйте деталі інструмента в рідину.



УВАГА: Щоб зменшити ризик отримання травм, регулярно очищуйте стільницю та вентиляційні отвори.



УВАГА: Щоб зменшити ризик отримання травм, регулярно очищуйте систему видалення пилу.



УВАГА: Щоб знизити ризик серйозних травм, не використовуйте пилку, не прикріпивши до неї оглядові дверцята для видалення пилу.

Перед роботою з пилкою захисний кожух диска **11** та захисну пластину слід встановити в робоче положення.

Перед використанням уважно обстежте верхній і нижній захисні кожухи диска, а також трубу видалення пилу, щоб переконатися в тому, що пилка буде працювати коректно. Переконайтесь, що стружки, пил та частинки заготовки не призведуть до погіршення роботи пилки.

Якщо фрагменти заготовки (обрізки) потрапляють між пильним диском та захисним кожухом, відключіть пристрій від мережі живлення та виконайте інструкції, наведені в розділі «**Монтаж пильного диска**». Видаліть фрагменти та знов встановіть пильний диск.

Тримайте вентиляційні отвори чистими та регулярно очищуйте корпус м'якою ганчіркою.

Регулярно очищуйте систему видалення пилу:

1. Поверніть пилку на бік так, щоб стала доступною нижня, відкрита частина пристрою.
2. Відкрийте оглядові дверцята для видалення пилу **45**, як показано на рис. Q, послабивши два гвинта **46** і від'єднавши дверцята. Видаліть надлишки пилу і знову прикріпіть дверцята, зафіксувавши їх гвинтами.

Додаткові аксесуари



ПОПЕРЕДЖЕННЯ: Оскільки інше приладдя, що не зазначене виробником DEWALT, не перевірялося з цим пристроєм, його використання з інструментом може бути небезпечним. Необхідно використовувати лише рекомендовані DEWALT приладдя з цим пристроєм, щоб знизити ризик отримання травми.

Зверніться до свого дилера для отримання подальшої інформації щодо відповідного приладдя.

Замініть захисний кожух диска при зношуванні. Зверніться до місцевого сервісного центру компанії DEWALT, щоб отримати детальну інформацію про заміну захисного кожуха диска.

ПИЛЬНІ ДИСКИ: СЛІД ВИКОРИСТОВУВАТИ шумопоглинальні пильні диски діаметром 210 мм з отворами для валу 30 мм. Швидкість обертання диску має становити принаймні 6000 об/хв. Використання дисків меншого діаметру заборонено. Захисний кожух пилки не забезпечує належний захист для менших дисків.

ПАРАМЕТРИ ДИСКІВ

Застосування	Діаметр	Кількість зубів
Диски для будівельних робіт (забезпечують швидкий розрив)		
Загального використання	210 мм	24
Для тонкого відрізу	210 мм	40
Диски для столярних робіт (забезпечують рівний та гладкий відріз)		
Для тонкого відрізу	210 мм	60

Захист навколишнього середовища



Роздільний збір. Пристрої позначені цим символом, не можна викидати зі звичайним побутовим сміттям.



Пристрої містять матеріали, які можна відновити та переробити, що зменшить потребу у сировині.

Утилізуйте електротехнічну продукцію відповідно до місцевих положень. Більш детальну інформацію можна отримати на сайті www.2helpU.com.



Виробник:
"Stanley Black & Decker Deutschland GmbH" Black-&-Decker Str.40, D-65510 Idstein, Німеччина



