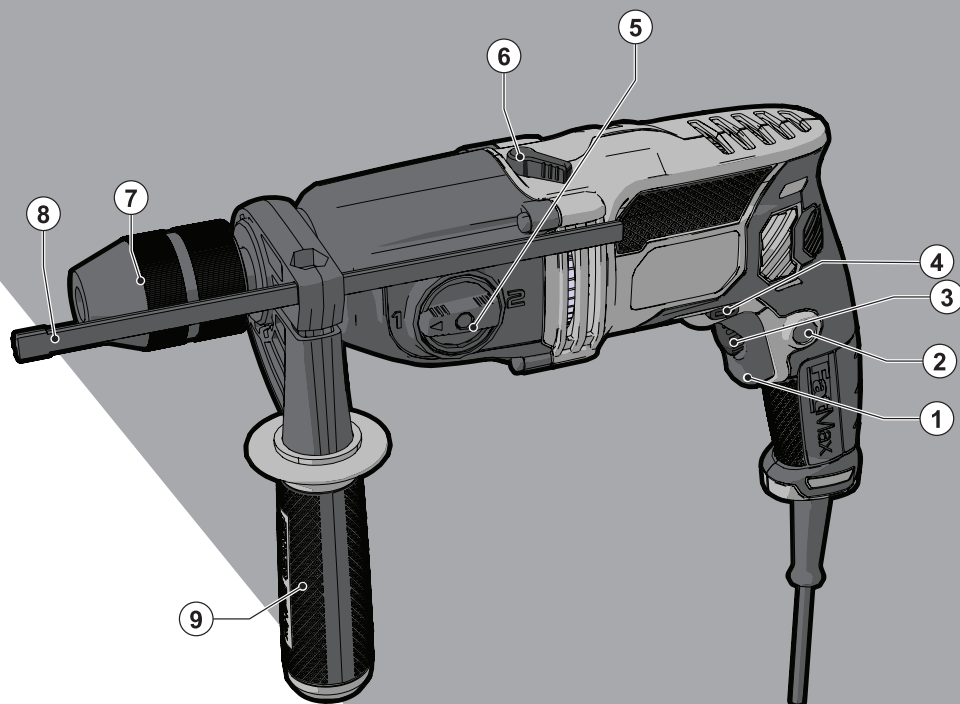


# STANLEY®

## FATMAX®



[www.stanley.eu](http://www.stanley.eu)

FME142

EN

DE

FR

IT

NL

ES

PT

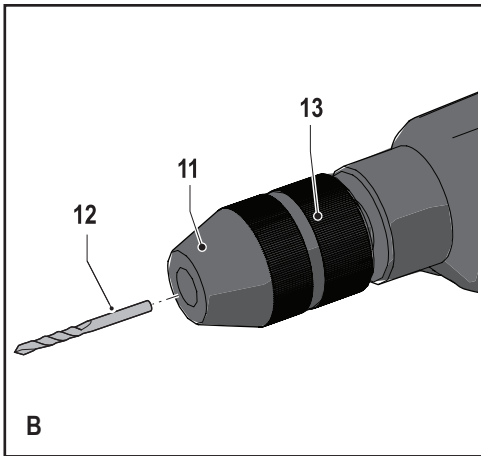
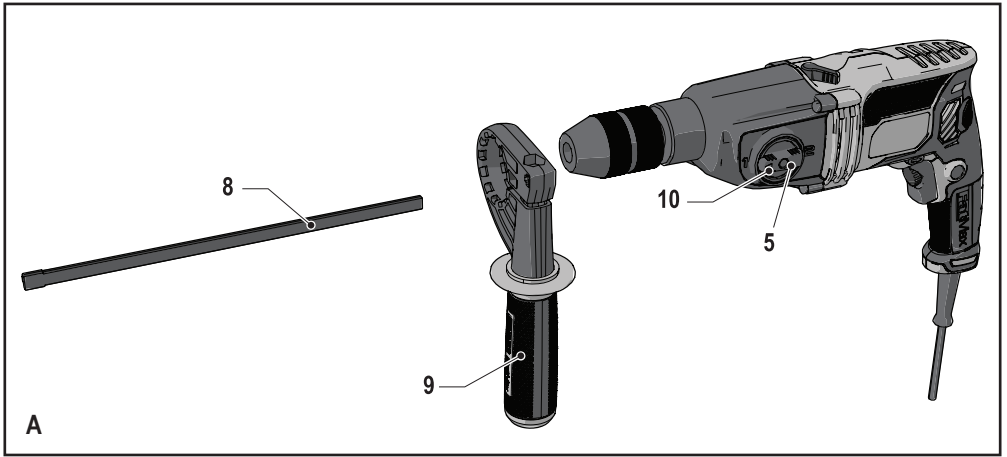
SV

NO

DK

FI

EL



## Intended use

Your Stanley Fat Max FME142 impact drill has been designed for drilling in wood, metal, plastics, and masonry as well as for screwdriving purposes. This tool is intended for professional and private, non professional users.

## Safety instructions

### General power tool safety warnings



**Warning! Read all safety warnings and all instructions.** Failure to follow the warnings and instructions listed below may result in electric shock, fire and/or serious injury.

### Save all warnings and instructions for future reference.

The term "power tool" in the warnings refers to your mains operated (corded) power tool or battery operated (cordless) power tool.

1. **Work area safety**
    - a. **Keep work area clean and well lit.** Cluttered or dark areas invite accidents.
    - b. **Do not operate power tools in explosive atmospheres, such as in the presence of flammable liquids, gases or dust.** Power tools create sparks which may ignite the dust or fumes.
    - c. **Keep children and bystanders away while operating a power tool.** Distractions can cause you to lose control.
  2. **Electrical safety**
    - a. **Power tool plugs must match the outlet. Never modify the plug in any way. Do not use any adapter plugs with earthed (grounded) power tools.** Unmodified plugs and matching outlets will reduce risk of electric shock.
    - b. **Avoid body contact with earthed or grounded surfaces such as pipes, radiators, ranges and refrigerators.** There is an increased risk of electric shock if your body is earthed or grounded.
    - c. **Do not expose power tools to rain or wet conditions.** Water entering a power tool will increase the risk of electric shock.
    - d. **Do not abuse the cord. Never use the cord for carrying, pulling or unplugging the power tool. Keep cord away from heat, oil, sharp edges or moving parts.** Damaged or entangled cords increase the risk of electric shock.
    - e. **When operating a power tool outdoors, use an extension cord suitable for outdoor use.** Use of a cord suitable for outdoor use reduces the risk of electric shock.
  - f. **If operating a power tool in a damp location is unavoidable, use a residual current device (RCD) protected supply.** Use of an RCD reduces the risk of electric shock.
3. **Personal safety**
    - a. **Stay alert, watch what you are doing and use common sense when operating a power tool. Do not use a power tool while you are tired or under the influence of drugs, alcohol or medication.** A moment of inattention while operating power tools may result in serious personal injury.
    - b. **Use personal protective equipment. Always wear eye protection.** Protective equipment such as dust mask, non-skid safety shoes, hard hat, or hearing protection used for appropriate conditions will reduce personal injuries.
    - c. **Prevent unintentional starting. Ensure the switch is in the off-position before connecting to power source and/or battery pack, picking up or carrying the tool.** Carrying power tools with your finger on the switch or energising power tools that have the switch on invites accidents.
    - d. **Remove any adjusting key or wrench before turning the power tool on.** A wrench or a key left attached to a rotating part of the power tool may result in personal injury.
    - e. **Do not overreach. Keep proper footing and balance at all times.** This enables better control of the power tool in unexpected situations.
    - f. **Dress properly. Do not wear loose clothing or jewellery. Keep your hair, clothing and gloves away from moving parts.** Loose clothes, jewellery or long hair can be caught in moving parts.
    - g. **If devices are provided for the connection of dust extraction and collection facilities, ensure these are connected and properly used.** Use of dust collection can reduce dust-related hazards.
  4. **Power tool use and care**
    - a. **Do not force the power tool. Use the correct power tool for your application.** The correct power tool will do the job better and safer at the rate for which it was designed.
    - b. **Do not use the power tool if the switch does not turn it on and off.** Any power tool that cannot be controlled with the switch is dangerous and must be repaired.
    - c. **Disconnect the plug from the power source and/or the battery pack from the power tool before making any adjustments, changing accessories, or storing power tools.** Such preventive safety measures reduce the risk of starting the power tool accidentally.

- d. **Store idle power tools out of the reach of children and do not allow persons unfamiliar with the power tool or these instructions to operate the power tool.** Power tools are dangerous in the hands of untrained users.
  - e. **Maintain power tools. Check for misalignment or binding of moving parts, breakage of parts and any other condition that may affect the power tools operation. If damaged, have the power tool repaired before use.** Many accidents are caused by poorly maintained power tools.
  - f. **Keep cutting tools sharp and clean.** Properly maintained cutting tools with sharp cutting edges are less likely to bind and are easier to control.
  - g. **Use the power tool, accessories and tool bits etc. in accordance with these instructions, taking into account the working conditions and the work to be performed.** Use of the power tool for operations different from those intended could result in a hazardous situation.
5. **Service**
- a. **Have your power tool serviced by a qualified repair person using only identical replacement parts.** This will ensure that the safety of the power tool is maintained.

### Additional power tool safety warnings



**Warning!** Additional safety warnings for drills and impact drills

- ◆ **Wear ear protectors with impact drills.** Exposure to noise can cause hearing loss.
- ◆ **Use auxiliary handles supplied with the tool.** Loss of control can cause personal injury.
- ◆ **Hold power tool with insulated gripping surfaces when performing an operation where the cutting accessory may contact hidden wiring or its own cord.** Cutting accessory contacting a "live" wire may make exposed metal parts of the power tool "live" and could give the operator an electric shock
- ◆ Never use a chisel accessory in rotary mode. The accessory will bind in the material and rotate the drill.
- ◆ Use clamps or another practical way to secure and support the workpiece to a stable platform. Holding the work by hand or against your body leaves it unstable and may lead to loss of control.
- ◆ Before drilling into walls, floors or ceilings, check for the location of wiring and pipes.
- ◆ Avoid touching the tip of a drill bit just after drilling, as it may be hot.

- ◆ The intended use is described in this instruction manual. The use of any accessory or attachment or performance of any operation with this tool other than those recommended in this instruction manual may present a risk of personal injury and/or damage to property.

### Safety of others

- ◆ This appliance is not intended for use by persons (including children) with reduced physical, sensory or mental capabilities, or lack of experience and knowledge, unless they have been given supervision or instruction concerning use of the appliance by a person responsible for their safety.
- ◆ Children should be supervised to ensure that they do not play with the appliance.

### Residual risks.

Additional residual risks may arise when using the tool which may not be included in the enclosed safety warnings. These risks can arise from misuse, prolonged use etc.

Even with the application of the relevant safety regulations and the implementation of safety devices, certain residual risks can not be avoided. These include:

- ◆ Injuries caused by touching any rotating/moving parts.
- ◆ Injuries caused when changing any parts, blades or accessories.
- ◆ Injuries caused by prolonged use of a tool. When using any tool for prolonged periods ensure you take regular breaks.
- ◆ Impairment of hearing.
- ◆ Health hazards caused by breathing dust developed when using your tool (example:- working with wood, especially oak, beech and MDF.)

### Vibration

The declared vibration emission values stated in the technical data and the declaration of conformity have been measured in accordance with a standard test method provided by EN 60745 and may be used for comparing one tool with another. The declared vibration emission value may also be used in a preliminary assessment of exposure.

**Warning!** The vibration emission value during actual use of the power tool can differ from the declared value depending on the ways in which the tool is used. The vibration level may increase above the level stated.

When assessing vibration exposure to determine safety measures required by 2002/44/EC to protect persons regularly using power tools in employment, an estimation of vibration exposure should consider, the actual conditions of use and the way the tool is used, including taking account of all parts of the operating cycle such as the times when the tool is switched off and when it is running idle in addition to the trigger time.

### Labels on tool

The following pictograms are shown on the tool along with the date code:



**Warning!** To reduce the risk of injury, the user must read the instruction manual.

### Electrical safety



This tool is double insulated; therefore no earth wire is required. Always check that the power supply corresponds to the voltage on the rating plate.

- ◆ If the supply cord is damaged, it must be replaced by the manufacturer or an authorised Stanley Fat Max Service Centre in order to avoid a hazard.

### Features

This tool includes some or all of the following features.

1. Variable speed switch
2. Lock-on button
3. Variable speed control knob
4. Forward/reverse switch
5. Two-gear selector
6. Drilling mode selector
7. Chuck
8. Depth stop
9. Side handle

### Assembly

**Warning!** Before assembly, make sure that the tool is switched off and unplugged.

#### Fitting the side handle and depth stop (fig. A)

- ◆ Turn the grip counterclockwise until you can slide the side handle (9) onto the front of the tool.
- ◆ Rotate the side handle into the desired position.
- ◆ Insert the depth stop (8) into the mounting hole as shown.
- ◆ Set the drilling depth as described below.
- ◆ Tighten the side handle by turning the grip clockwise.

#### Setting the drilling depth (fig. A)

- ◆ Slacken the side handle (9) by turning the grip counterclockwise.
- ◆ Set the depth stop (8) to the desired position. The maximum drilling depth is equal to the distance between the tip of the drill bit and the front end of the depth stop.
- ◆ Tighten the side handle by turning the grip clockwise.

#### Fitting an accessory (fig. B)

- ◆ Open the chuck by turning the front part (11) with one hand while holding the rear part (13) with the other.
- ◆ Insert the bit shaft (12) into the chuck and firmly tighten the chuck.

### Use

**Warning!** Let the tool work at its own pace. Do not overload.

**Warning!** Before drilling into walls, floors or ceilings, check for the location of wiring and pipes.

#### Selecting the drilling mode

- ◆ For hammer drilling in masonry and concrete, set the operating mode selector (6) to the **T** position
- ◆ For drilling in steel, wood and plastics, set the operating mode selector (6) to the **2** position.

#### Two-gear selector (fig. A)

- ◆ For drilling in steel and for screwdriving applications, turn the two-gear selector (5) into position 1 by aligning the arrow (10) with the number 1 (1st gear).
- ◆ For drilling in materials other than steel, turn the two-gear selector (5) into position 2 by aligning the arrow (10) with the number 2 (2nd gear).

#### Selecting the direction of rotation

For drilling and tightening screws, use forward (clockwise) rotation. For loosening screws or removing a jammed drill bit, use reverse (counterclockwise) rotation.

- ◆ To select forward rotation, push the forward/reverse slider (4) to the left.
- ◆ To select reverse rotation, push the forward/reverse slider to the right.

**Warning!** Never change the direction of rotation while the motor is running.

## Switching on and off

- ◆ To switch the tool on, press the variable speed switch (1). The tool speed depends on how far you press the switch. If the tool has a variable speed control knob (3), set it to the required speed range. As a general rule, use low speeds for large diameter drill bits and high speeds for smaller diameter drill bits.
- ◆ For continuous operation, press the lock-on button (2) and release the variable speed switch. This option is available only at full speed or at any speed preset with the variable speed control knob (3). This option does not work in reverse rotation.
- ◆ To switch the tool off, release the variable speed switch. To switch the tool off when in continuous operation, press the variable speed switch once more and release it.

## Accessories

The performance of your tool depends on the accessory used. Stanley Fat Max accessories are engineered to high quality standards and designed to enhance the performance of your tool. By using these accessories you will get the very best from your tool.

## Maintenance

Your Stanley Fat Max corded/cordless appliance/tool has been designed to operate over a long period of time with a minimum of maintenance. Continuous satisfactory operation depends upon proper tool care and regular cleaning.

**Warning!** Before performing any maintenance on corded/cordless power tools:

- ◆ Switch off and unplug the appliance/tool.
- ◆ Or switch off and remove the battery from the appliance/tool if the appliance/tool has a separate battery pack.
- ◆ Or run the battery down completely if it is integral and then switch off.
- ◆ Unplug the charger before cleaning it. Your charger does not require any maintenance apart from regular cleaning.
- ◆ Regularly clean the ventilation slots in your appliance/tool/charger using a soft brush or dry cloth.
- ◆ Regularly clean the motor housing using a damp cloth. Do not use any abrasive or solvent-based cleaner.
- ◆ Regularly open the chuck and tap it to remove any dust from the interior (when fitted).

## Mains plug replacement (U.K. & Ireland only)

If a new mains plug needs to be fitted:

- ◆ Safely dispose of the old plug.
- ◆ Connect the brown lead to the live terminal in the new plug.
- ◆ Connect the blue lead to the neutral terminal.

**Warning!** No connection is to be made to the earth terminal. Follow the fitting instructions supplied with good quality plugs. Recommended fuse: 5 A.

## Protecting the environment



Separate collection. This product must not be disposed of with normal household waste.

Should you find one day that your Stanley Fat Max product needs replacement, or if it is of no further use to you, do not dispose of it with household waste. Make this product available for separate collection.



Separate collection of used products and packaging allows materials to be recycled and used again. Re-use of recycled materials helps prevent environmental pollution and reduces the demand for raw materials.

Local regulations may provide for separate collection of electrical products from the household, at municipal waste sites or by the retailer when you purchase a new product.

Stanley Europe provides a facility for the collection and recycling of Stanley Fat Max products once they have reached the end of their working life. To take advantage of this service please return your product to any authorised repair agent who will collect them on our behalf.

You can check the location of your nearest authorised repair agent by contacting your local Stanley Europe office at the address indicated in this manual. Alternatively, a list of authorised Stanley Europe repair agents and full details of our after-sales service and contacts are available on the Internet at: [www.2helpU.com](http://www.2helpU.com)

## Technical data

FME142 (Type 1)		
Input voltage	$V_{AC}$	230
Power input	W	850
No-load speed	$\text{min}^{-1}$	0-1100 / 0-3100
Impact rate	$\text{min}^{-1}$	0-18,700 / 0-52,700
Max. drilling capacity		
Concrete	mm	18
Steel	mm	13
Wood	mm	50
Weight	kg	2.5

### Level of sound pressure according to EN 60745:

Sound pressure ( $L_{pA}$ ) 92 dB(A), uncertainty (K) 3 dB(A)

Sound power ( $L_{WA}$ ) 103 dB(A), uncertainty (K) 3 dB(A)

### Vibration total values (triax vector sum) according to EN 60745:

Impact drilling into concrete ( $a_{h,D}$ ) 11  $\text{m/s}^2$ , uncertainty (K) 1.5  $\text{m/s}^2$

Drilling into metal ( $a_{h,D}$ ) 1.5  $\text{m/s}^2$ , uncertainty (K) 1.5  $\text{m/s}^2$

## EC declaration of conformity

MACHINERY DIRECTIVE



FME142 impact drill

Stanley Europe declares that these products described under "technical data" are in compliance with: 2006/42/EC, EN60745-1:2009+A11:2010, EN60745-2-1:2010

These products also comply with Directive 2014/30/EU and 2011/65/EU. For more information, please contact Stanley Europe at the following address or refer to the back of the manual.

For more information, please contact Stanley Europe at the following address or refer to the back of the manual.

The undersigned is responsible for compilation of the technical file and makes this declaration on behalf of Stanley Europe.

R. Laverick  
Engineering Director  
Stanley Europe, Egide Walschaertsstraat14-18,  
2800 Mechelen, Belgium  
28/02/2017

## Guarantee

StanleyEurope is confident of the quality of its products and offers an outstanding guarantee for professional users of the product. This guarantee statement is in addition to and in no way prejudices your contractual rights as a private non-professional user. The guarantee is valid within the territories of the Member States of the European Union and the European Free Trade Area.

### ONE-YEAR FULL WARRANTY

If your Stanley Fat Max product becomes defective due to faulty materials or workmanship within 12 months from the date of purchase, Stanley Europe guarantees to replace all defective parts free of charge or – at our discretion – replace the unit free of charge provided that:

- ◆ The product has not been misused and has been used in accordance with the instruction manual.
- ◆ The product has been subject to fair wear and tear;
- ◆ Repairs have not been attempted by unauthorised persons;
- ◆ Proof of purchase is produced.
- ◆ The Stanley Fat Max product is returned complete with all original components

If you wish to make a claim, contact your seller or check the location of your nearest authorised Stanley Fat Max repair agent in the Stanley Fat Max catalogue or contact your local Stanley office at the address indicated in this manual. A list of authorised Stanley Fat Max repair agents and full details of our after sales service is available on the internet at:[www.stanley.eu/3](http://www.stanley.eu/3)



## Bestimmungsgemäße Verwendung

Ihre Stanley Fat Max FME142 Schlagbohrmaschine wurde zum Bohren in Holz, Metall, Kunststoff und Mauerwerk sowie für Schraubarbeiten entwickelt. Dieses Werkzeug ist für den professionellen sowie den privaten/nicht-professionellen Anwender gedacht.

## Sicherheitshinweise

### Allgemeine Sicherheitswarnungen für das Gerät



**Achtung! Lesen Sie sämtliche Sicherheitswarnungen und Anweisungen.** Die Nichteinhaltung der nachstehend aufgeführten Warnungen und Anweisungen kann einen elektrischen Schlag, Brand und/oder schwere Verletzungen verursachen.

**Bewahren Sie alle Sicherheitswarnungen und Anweisungen gut auf.** Der Begriff "Gerät" bezieht sich auf netzbetriebene Geräte (mit Netzkabel) und auf akkubetriebene Geräte (ohne Netzkabel).

#### 1. Sicherheit im Arbeitsbereich

- a. **Halten Sie Ihren Arbeitsbereich sauber, und sorgen Sie für ausreichende Beleuchtung.** Unordnung oder dunkle Arbeitsbereiche können zu Unfällen führen.
- b. **Verwenden Sie die Geräte nicht in Umgebungen, in denen Explosionsgefahr z. B. aufgrund von brennbaren Flüssigkeiten, Gasen oder Staub besteht.** Geräte erzeugen Funken, die den Staub oder die Dämpfe entzünden können.
- c. **Halten Sie Kinder und andere Personen während der Benutzung eines Geräts fern.** Bei Ablenkung können Sie die Kontrolle verlieren.

#### 2. Elektrische Sicherheit

- a. **Der Netzstecker des Geräts muss in die Steckdose passen. Der Stecker darf in keiner Weise verändert werden. Verwenden Sie für schutzgeerdete Geräte keine Adapterstecker.** Unveränderte Stecker und passende Steckdosen verringern das Risiko eines elektrischen Schlags.
- b. **Vermeiden Sie Körperkontakt mit geerdeten Oberflächen von Rohren, Heizungen, Herden und Kühlschränken.** Es besteht ein erhöhtes Risiko eines elektrischen Schlags, wenn Ihr Körper geerdet ist.
- c. **Halten Sie Geräte von Regen und Feuchtigkeit fern.** Das Eindringen von Wasser in ein Gerät erhöht das Risiko eines elektrischen Schlags.

#### d. Verwenden Sie das Kabel ordnungsgemäß.

**Verwenden Sie es niemals zum Tragen. Trennen Sie das Gerät nicht durch Ziehen am Kabel vom Netz. Halten Sie das Kabel fern von Hitze, Öl, scharfen Kanten oder sich bewegenden Teilen.** Beschädigte oder verwickelte Kabel erhöhen das Risiko eines elektrischen Schlags.

#### e. Verwenden Sie nur für den Außenbereich zugelassene Verlängerungskabel, wenn Sie mit dem Gerät im Freien arbeiten.

Die Verwendung eines für den Außenbereich geeigneten Verlängerungskabels verringert das Risiko eines elektrischen Schlags.

#### f. Wenn das Gerät in einer feuchten Umgebung verwendet werden muss, schließen Sie es unbedingt an eine Steckdose mit Fehlerstromschutzschalter (RCD). Die Verwendung eines Fehlerstromschutzschalters verringert das Risiko eines elektrischen Schlags.

#### 3. Sicherheit von Personen

##### a. Verwenden Sie das Gerät aufmerksam und vernünftig. Benutzen Sie das Gerät nicht, wenn Sie müde sind oder unter dem Einfluss von Drogen, Alkohol oder Medikamenten stehen.

Ein Moment der Unachtsamkeit beim Gebrauch von Geräten kann zu ernsthaften Verletzungen führen.

##### b. Verwenden Sie eine geeignete Schutzausrüstung. Tragen Sie stets eine Schutzbrille.

Schutzausrüstung wie Staubmaske, rutschfeste Sicherheitsschuhe, Schutzhelm oder Gehörschutz, je nach Art und Einsatz des Geräts, verringert das Risiko von Verletzungen.

##### c. Vermeiden Sie eine unbeabsichtigte Inbetriebnahme. Vergewissern Sie sich, dass das Gerät ausgeschaltet ist, bevor Sie es an eine Steckdose oder einen Akku anschließen, es hochheben oder tragen.

Durch das Tragen des Geräts mit dem Finger am Schalter oder durch das Anschließen eingeschalteter Geräte werden Unfälle provoziert.

##### d. Entfernen Sie Einstell- oder Schraubenschlüssel, bevor Sie das Gerät einschalten.

Ein Schlüssel in einem sich drehenden Teil kann zu Verletzungen führen.

##### e. Beugen Sie sich nicht zu weit nach vorne über. Achten Sie auf einen sicheren Stand, um in jeder Arbeitsposition das Gleichgewicht zu halten.

Dadurch können Sie das Gerät in unerwarteten Situationen besser unter Kontrolle halten.

##### f. Tragen Sie geeignete Kleidung. Tragen Sie keine weite Kleidung oder Schmuck. Halten Sie Haare, Kleidung und Handschuhe fern von sich bewegenden Teilen.

Lockere Kleidung, Schmuck oder lange Haare können von sich bewegenden Teilen erfasst werden.

- g. Falls Staubabsaug- und -fangvorrichtungen vorhanden sind, vergewissern Sie sich, dass diese angeschlossen sind und richtig verwendet werden. Das Verwenden einer Staubauffangvorrichtung verringert Gefährdungen durch Staub.
4. **Gebrauch und Pflege von Geräten**
- a. **Überlasten Sie das Gerät nicht. Verwenden Sie das für Ihre Arbeit passende Gerät.** Durch das Arbeiten in dem für das Gerät angegebenen Leistungsbereich erzielen Sie nicht nur optimale Ergebnisse, Sie erhöhen auch die Sicherheit.
- b. **Verwenden Sie das Gerät nicht, wenn der Ein-/Ausschalter nicht funktioniert.** Ein Gerät, das sich nicht mehr ein- oder ausschalten lässt, ist gefährlich und muss repariert werden.
- c. **Ziehen Sie den Stecker aus der Steckdose, und/oder trennen Sie das Gerät vom Akku, bevor Sie Einstellungen vornehmen, Zubehörteile wechseln oder das Gerät lagern.** Diese Vorsichtsmaßnahme verhindert den unbeabsichtigten Start des Geräts.
- d. **Bewahren Sie unbenutzte Geräte außerhalb der Reichweite von Kindern auf. Lassen Sie Geräte nicht von Personen benutzen, die damit nicht vertraut sind oder diese Anweisungen nicht gelesen haben.** Geräte sind gefährlich, wenn sie von unerfahrenen Personen benutzt werden.
- e. **Halten Sie Geräte in einem einwandfreien Zustand. Kontrollieren Sie, ob bewegliche Teile falsch ausgerichtet sind oder klemmen und ob Teile gebrochen oder so beschädigt sind, dass die Funktion des Geräts beeinträchtigt ist. Lassen Sie beschädigte Geräte vor dem Gebrauch reparieren.** Viele Unfälle haben ihre Ursache in schlecht gewarteten Geräten.
- f. **Halten Sie Schneidwerkzeuge scharf und sauber.** Sorgfältig gepflegte Schneidwerkzeuge mit scharfen Schneidkanten verklemmen sich seltener und sind leichter zu führen.
- g. **Verwenden Sie Gerät, Zubehör, Einsatz-Bits usw. entsprechend diesen Anweisungen, und berücksichtigen Sie dabei die Arbeitsbedingungen und die auszuführende Arbeit.** Der Gebrauch von Geräten für andere als die vorgesehenen Anwendungen kann zu gefährlichen Situationen führen.
5. **Service**
- a. **Lassen Sie das Gerät nur von qualifiziertem Fachpersonal und nur mit Originalersatzteilen reparieren.** So wird gewährleistet, dass die Sicherheit des Geräts erhalten bleibt.

## Zusätzliche Sicherheitswarnungen für das Gerät



**Achtung!** Zusätzliche Sicherheitswarnungen für Bohrerschrauber und Schlagbohrmaschinen

- ◆ **Tragen Sie bei der Arbeit mit Schlagbohrmaschinen einen Gehörschutz.** Ein hoher Geräuschpegel kann Gehörschäden verursachen.
- ◆ **Verwenden Sie die mitgelieferten Zusatzgriffe.** Wenn Sie die Kontrolle über das Gerät verlieren, kann dies zu Verletzungen führen.
- ◆ **Halten Sie das Gerät an den isolierten Griffflächen, wenn Sie Arbeiten ausführen, bei denen das Werkzeug ein verdecktes Kabel oder das Gerätekabel berühren könnte.** Der Kontakt mit stromführenden Leitungen kann auch offenliegende Metallteile am Gerät unter Strom setzen und zu einem Stromschlag führen.
- ◆ Verwenden Sie auf keinen Fall ein Meißelwerkzeug im Bohrmodus. Das Werkzeug setzt sich im Material fest und versetzt die Bohrmaschine in Rotation.
- ◆ Fixieren Sie das Werkstück mit Zwingen oder ähnlichen Hilfsmitteln auf einer stabilen Oberfläche. Ein Werkstück, das mit der Hand oder gegen den Körper gehalten wird, ist unzureichend befestigt und kann leicht außer Kontrolle geraten.
- ◆ Prüfen Sie vor dem Bohren in Wände, Fußböden oder Decken diese Stellen auf dahinter liegende Kabel oder Rohre.
- ◆ Berühren Sie die Spitze des Bohreinsatzes nicht unmittelbar nach dem Bohren, da diese heiß sein kann.
- ◆ In dieser Anleitung ist die bestimmungsgemäße Verwendung beschrieben. Die Verwendung von Zubehör oder Anbauteilen, die nicht in dieser Anleitung empfohlen sind, sowie die Bedienung des Geräts in Abweichung von den in dieser Anleitung beschriebenen Verfahren können zu Verletzungen und/oder Sachschäden führen.

## Sicherheit anderer Personen

- ◆ Dieses Gerät darf nicht von Personen (einschließlich Kindern) mit eingeschränkten körperlichen, sensorischen oder geistigen Fähigkeiten sowie mangelnder Erfahrung und Kenntnissen bedient werden, es sei denn, sie werden bei der Verwendung des Geräts von einer erfahrenen Person beaufsichtigt oder angeleitet.
- ◆ Kinder müssen beaufsichtigt werden, um sicherzustellen, dass sie nicht mit dem Gerät spielen.

## Restrisiken.

Für den Gebrauch dieses Geräts verbleiben zusätzliche Restrisiken, die möglicherweise nicht in den Sicherheitswarnungen genannt werden. Diese Risiken bestehen beispielsweise bei Missbrauch oder längerem Gebrauch.

Auch bei der Einhaltung der entsprechenden Sicherheitsvorschriften und der Verwendung aller Sicherheitsgeräte bestehen weiterhin bestimmte Restrisiken. Diese werden im Folgenden aufgeführt:

- ◆ Das Berühren von sich drehenden/bewegenden Teilen kann Verletzungen zur Folge haben.
- ◆ Der Austausch von Teilen, Messern oder Zubehör kann Verletzungen zur Folge haben.
- ◆ Der längere Gebrauch eines Geräts kann Verletzungen zur Folge haben. Legen Sie bei längerem Gebrauch regelmäßige Pausen ein.
- ◆ Beeinträchtigung des Gehörs.
- ◆ Gesundheitsrisiken durch das Einatmen von Staub beim Gebrauch des Geräts (beispielsweise bei Holzarbeiten, insbesondere Eiche, Buche und Pressspan).

### Vibration

Die in den Abschnitten "Technische Daten" und "EG-Konformitätserklärung" angegebenen Werte für die Vibrationsemission wurden mit einer Standard-Prüfmethode nach EN 60745 ermittelt und können zum Vergleich verschiedener Geräte herangezogen werden. Außerdem kann mit Hilfe dieses Werts die Belastung bei Verwendung des Geräts schon im Voraus eingeschätzt werden.

**Achtung!** Die bei Verwendung des Geräts auftretende Vibrationsemission hängt von der Art des Gerätegebrauchs ab und kann dementsprechend von dem angegebenen Wert abweichen. Gegebenenfalls kann die Vibration über dem angegebenen Wert liegen.

Für die Ermittlung der Vibrationsbelastung müssen die tatsächlichen Einsatzbedingungen und Verwendungen des Geräts während des gesamten Arbeitsgangs berücksichtigt werden, einschließlich der Zeiten, wenn das Gerät nicht verwendet oder im Leerlauf betrieben wird. Diese Werte werden benötigt, um die gemäß 2002/44/EG erforderlichen Sicherheitsmaßnahmen zum Schutz von Personen festlegen zu können.

### Warnsymbole am Gerät

Werden folgende Piktogramme auf das Werkzeug zusammen mit dem Datum Code gezeigt:



**Achtung!** Lesen Sie vor Gebrauch die Anleitung. Andernfalls besteht Verletzungsgefahr.

### Elektrische Sicherheit



Dieses Gerät ist schutzisoliert, daher ist keine Erdleitung erforderlich. Überprüfen Sie stets, ob die Netzspannung der auf dem Typenschild des Geräts angegebenen Spannung entspricht.

- ◆ Ist das Netzkabel beschädigt, muss es durch den Hersteller oder eine Stanley Fat Max Vertragswerkstatt ausgetauscht werden, um eine mögliche Gefährdung zu vermeiden.

### Merkmale

Dieses Gerät verfügt über einige oder alle der folgenden Merkmale:

1. Ein-/Ausschalter mit Geschwindigkeitsregler
2. Feststellknopf
3. Geschwindigkeitsvoreinstellung
4. Vor-/Zurückwahlschalter
5. Zwei-Gang-Auswahl
6. Bohrmodusumschalter
7. Spannfutter
8. Tiefenbegrenzung
9. Seitlicher Haltegriff

### Montage

**Achtung!** Vergewissern Sie sich vor der Montage, dass das Gerät ausgeschaltet ist und der Netzstecker gezogen wurde.

### Anbringen des seitlichen Haltegriffs und der Tiefenbegrenzung (Abb. A)

- ◆ Drehen Sie den Griff entgegen dem Uhrzeigersinn, bis Sie den seitlichen Haltegriff (9) wie dargestellt über die Vorderseite des Geräts schieben können.
- ◆ Drehen Sie den seitlichen Haltegriff in die gewünschte Position.
- ◆ Setzen Sie die Tiefenbegrenzung (8) wie dargestellt in die vorgesehene Öffnung ein.
- ◆ Legen Sie die Bohrtiefe wie im Folgenden beschrieben fest.
- ◆ Befestigen Sie den seitlichen Haltegriff, indem Sie den Griff im Uhrzeigersinn drehen.

### Festlegen der Bohrtiefe (Abb. A)

- ◆ Lösen Sie den seitlichen Haltegriff (9), indem Sie den Griff gegen den Uhrzeigersinn drehen.
- ◆ Bringen Sie die Tiefenbegrenzung (8) in die gewünschte Position. Die maximale Bohrtiefe entspricht der Entfernung zwischen der Spitze des Bohreinsatzes und dem vorderen Ende der Tiefenbegrenzung.
- ◆ Befestigen Sie den seitlichen Haltegriff, indem Sie den Griff im Uhrzeigersinn drehen.

### Anbringen von Werkzeugen (Abb. B)

- ◆ Öffnen Sie das Bohrfutter, indem Sie den vorderen Teil (11) mit einer Hand drehen und den hinteren Teil (13) mit der anderen Hand festhalten.
- ◆ Setzen Sie den Einsatz (12) in das Bohrfutter ein, und ziehen Sie dieses fest an.

## Gebrauch

**Achtung!** Beschleunigen Sie den Arbeitsvorgang nicht mit Gewalt. Vermeiden Sie eine Überlastung des Geräts.

**Achtung!** Prüfen Sie vor dem Bohren in Wände, Fußböden oder Decken diese Stellen auf dahinter liegende Kabel oder Rohre.

## Auswählen des Bohrmodus

- ◆ Stellen Sie für Schlagbohrarbeiten in Mauerwerk und Beton den Bohrmodus schalter (6) auf die Einstellung **T1**.
- ◆ Wenn Sie in Stahl, Holz oder Kunststoffe bohren, stellen Sie den Bohrmodus schalter (6) auf die Einstellung **1**.

## Zwei-Gang-Auswahl (Abb. A)

- ◆ Bewegen Sie die Zwei-Gang-Auswahl (5) zum Bohren von Stahl sowie für Schraubenwendungen in die Stellung 1, indem Sie den Pfeil (10) auf die Zahl 1 (erster Gang) ausrichten.
- ◆ Bewegen Sie die Zwei-Gang-Auswahl (5) zum Bohren von anderen Materialien in die Stellung 2, indem Sie den Pfeil (10) auf die Zahl 2 (zweiter Gang) ausrichten.

## Auswählen der Drehrichtung

Verwenden Sie zum Bohren und Anziehen von Schrauben die Vorwärtsdrehung (im Uhrzeigersinn). Verwenden Sie zum Entfernen von Schrauben und verklemmten Bohreinsätzen die Rückwärtsdrehung (gegen den Uhrzeigersinn).

- ◆ Drücken Sie den Vor-/Zurückwahlschalter (4) nach links, um die Vorwärtsdrehung einzustellen.
- ◆ Drücken Sie den Vor-/Zurückwahlschalter nach rechts, um die Rückwärtsdrehung einzustellen.

**Achtung!** Wechseln Sie auf keinen Fall die Drehrichtung, während der Motor läuft.

## Ein- und Ausschalten

- ◆ Um das Gerät einzuschalten, drücken Sie den Ein-/Ausschalter mit Geschwindigkeitsregler (1). Die Geschwindigkeit des Werkzeugs ist davon abhängig, wie tief Sie den Schalter eindrücken. Stellen Sie die Geschwindigkeitsvoreinstellung (3) auf den gewünschten Geschwindigkeitsbereich ein, wenn das Gerät dieser Funktion ausgestattet ist. Im Allgemeinen sollten Sie langsamere Geschwindigkeiten für Bohreinsätze mit großem Durchmesser und hohe Geschwindigkeiten für Bohreinsätze mit geringerem Durchmesser verwenden.

- ◆ Für das Arbeiten im Dauerbetrieb drücken Sie den Feststellknopf (2) und lassen den Geschwindigkeitsregler los. Diese Option steht nur bei voller Geschwindigkeit sowie in den mit der Geschwindigkeitsvoreinstellung (3) eingestellten Geschwindigkeitsbereichen zur Verfügung. Diese Option kann bei der Rückwärtsdrehung nicht verwendet werden.
- ◆ Um das Gerät auszuschalten, lassen Sie den Geschwindigkeitsregler los. Wenn sich das Gerät im Dauerbetrieb befindet, müssen Sie zum Ausschalten den Geschwindigkeitsregler erneut drücken und loslassen.

## Zubehörteile

Das verwendete Zubehör hat wesentlichen Einfluss auf die Leistung des Geräts. Zubehörteile von Stanley Fat Max erfüllen höchste Qualitätsstandards und wurden speziell für die Verwendung mit Ihrem Gerät entwickelt. Bei Verwendung dieses Zubehörs erhalten Sie stets optimale Ergebnisse.

## Wartung

Ihr Stanley Fat Max Gerät (mit und ohne Netzkabel) wurde im Hinblick auf eine lange Lebensdauer und einen möglichst geringen Wartungsaufwand entwickelt. Ein dauerhafter, einwandfreier Betrieb setzt eine regelmäßige Pflege und Reinigung voraus.

**Achtung!** Vor dem Ausführen jeglicher Wartungsarbeiten an Geräten mit und ohne Netzkabel:

- ◆ Schalten Sie das Gerät aus, und ziehen Sie den Netzstecker.
- ◆ Wenn das Gerät über einen separaten Batteriepack oder Akku verfügt, schalten Sie das Gerät ab, und entnehmen Sie die Batterien aus dem Gerät.
- ◆ Wenn der Akku integriert ist, entladen Sie diesen vor dem Abschalten vollständig.
- ◆ Ziehen Sie das Ladegerät aus der Netzsteckdose, bevor Sie es reinigen. Das Ladegerät benötigt keine Wartung, es sollte aber regelmäßig gereinigt werden.
- ◆ Reinigen Sie regelmäßig die Lüftungsschlitze des Geräts und des Ladegeräts mit einer weichen Bürste oder einem trockenen Tuch.
- ◆ Reinigen Sie das Motorgehäuse regelmäßig mit einem feuchten Tuch. Verwenden Sie keine scheuernden Reinigungsmittel oder Lösungsmittel auf Lösungsmittelbasis.
- ◆ Öffnen Sie regelmäßig das Spannfutter, und entfernen Sie durch Klopfen ggf. Staub aus dem Inneren des Geräts.

## Austauschen des Netzsteckers (nur Großbritannien und Irland)

Gehen Sie folgendermaßen vor, wenn ein neuer Netzstecker angeschlossen werden muss:

- ◆ Entsorgen Sie den alten Stecker auf sachgerechte Weise.

- ◆ Verbinden Sie die braune Leitung mit dem spannungsführenden Anschluss des Steckers.
- ◆ Verbinden Sie die blaue Leitung mit dem neutralen Anschluss.

**Achtung!** Der Erdleiter wird nicht angeschlossen. Befolgen Sie die Anleitungen, die dem Stecker beiliegen. Empfohlene Sicherung: 5 A.

## Umweltschutz



Getrennte Entsorgung. Dieses Produkt darf keinesfalls mit dem Hausmüll entsorgt werden.

Sollten Sie Ihr Stanley Fat Max Produkt eines Tages ersetzen oder nicht mehr benötigen, entsorgen Sie es nicht mit dem Hausmüll. Führen Sie das Produkt einer getrennten Sammlung zu.



Durch die getrennte Sammlung von ausgedienten Produkten und Verpackungsmaterialien können Rohstoffe recycelt und wiederverwendet werden. Die Wiederverwendung aufbereiteter Materialien trägt zur Vermeidung der Umweltverschmutzung bei und senkt den Rohstoffbedarf.

Die Verordnung zur Abfallentsorgung Ihrer Gemeinde sieht möglicherweise vor, dass Elektrogeräte getrennt vom Hausmüll gesammelt, an der örtlichen Abfallentsorgungseinrichtung abgegeben oder beim Kauf eines neuen Produkts vom Fachhandel zur Entsorgung angenommen werden müssen.

Stanley Europe nimmt Ihre ausgedienten Stanley Fat Max Geräte gern zurück und sorgt für eine umweltfreundliche Entsorgung bzw. Wiederverwertung. Um diese Dienstleistung in Anspruch zu nehmen, geben Sie das Gerät bitte bei einer autorisierten Reparaturwerkstatt ab, die für uns die Einsammlung übernimmt.

Die Adresse der zuständigen Niederlassung von Stanley Europe steht in dieser Anleitung. Dort teilt man Ihnen gerne die nächstgelegene Vertragswerkstatt mit. Eine Liste der Vertragswerkstätten und aller Kundendienststellen von Stanley Europe sowie der zuständigen Ansprechpartner finden Sie auch im Internet unter: [www.2helpU.com](http://www.2helpU.com)

## Technische Daten

		FME142 (Typ 1)
Eingangsspannung	$V_{AC}$	230
Leistungsaufnahme	W	850
Leerlaufdrehzahl	$\text{min}^{-1}$	0-1100 / 0-3100
Schlagzahl	$\text{min}^{-1}$	0-18,700 / 0-52,700
<b>Maximale Bohrtiefe</b>		
Beton	mm	18
Stahl	mm	13
Holz	mm	50
Gewicht	kg	2.5

### Schalldruckpegel gemäß EN 60745:

Schalldruck ( $L_{pA}$ ) 92 dB(A), Unsicherheitsfaktor (K) 3 dB(A)

Schalleistung ( $L_{WA}$ ) 103 dB(A), Unsicherheitsfaktor (K) 3 dB(A)

### Gesamtvibration (Triax-Vektorsumme) gemäß EN 60745:

Schlagbohren in Beton ( $a_{h,10}$ ) 11  $\text{m/s}^2$ , Unsicherheitsfaktor (K) 1.5  $\text{m/s}^2$

Metallbohren ( $a_{h,D}$ ) 1.5  $\text{m/s}^2$ , Unsicherheitsfaktor (K) 1.5  $\text{m/s}^2$

**EG-Konformitätserklärung**

MASCHINENRICHTLINIE



FME142 Schlagbohrmaschine

Stanley Europe erklärt, dass diese unter "Technische Daten" beschriebenen Geräte übereinstimmen mit:  
2006/42/EG, EN60745-1:2009+A11:2010,  
EN60745-2-1:2010

Diese Produkte entsprechen außerdem den Richtlinien 2014/30/EU und 2011/65/EU. Weitere Informationen erhalten Sie von Stanley Europe unter der folgenden Adresse. Diese befindet sich auch auf der Rückseite dieser Anleitung.

Weitere Informationen erhalten Sie von Stanley Europe unter der folgenden Adresse. Diese befindet sich auch auf der Rückseite dieser Anleitung.

Der Unterzeichnete ist verantwortlich für die Zusammenstellung der technischen Daten und gibt diese Erklärung im Namen von Stanley Europe ab.

R. Laverick  
Engineering Director  
Stanley Europe, Egide Walschaertsstraat 14-18,  
2800 Mechelen, Belgien  
28/02/2017

**Garantie**

Stanley Europe vertraut auf die Qualität der eigenen Geräte und bietet gewerblichen Anwendern eine außergewöhnliche Garantie. Bei dieser Garantieerklärung handelt es sich um eine Ergänzung zu den vertraglich festgeschriebenen Rechten von Heimanwendern, die durch diese Garantieerklärung keinesfalls eingeschränkt werden. Sie gilt in sämtlichen Mitgliedstaaten der Europäischen Union und der Europäischen Freihandelszone EFTA.

**VOLLE GARANTIE FÜR EIN JAHR**

Tritt innerhalb von 12 Monaten ab Kaufdatum an einem Gerät von Stanley Fat Max ein auf Material- oder Verarbeitungsfehler zurückzuführender Mangel auf, garantiert Stanley Europe den kostenlosen Austausch sämtlicher defekter Teile bzw. – nach eigenem Ermessen – den kostenlosen Ersatz des Geräts, allerdings vorbehaltlich folgender Bedingungen:

- ◆ Das Gerät wurde ordnungsgemäß in Übereinstimmung mit der Anleitung verwendet.
- ◆ Das Gerät wurde nur normaler Abnutzung ausgesetzt.
- ◆ Es wurden keine Reparaturversuche durch unberechtigte Personen unternommen.
- ◆ Es ist ein Kaufbeleg vorhanden.
- ◆ Das Gerät von Stanley Fat Max wird vollständig und mit allen Originalkomponenten eingereicht.

Wenn Sie Garantieleistungen in Anspruch nehmen möchten, wenden Sie sich an den Verkäufer oder die zuständige Niederlassung von Stanley Fat Max. Die Adresse finden Sie im Stanley Fat Max Katalog, oder sie wird Ihnen von der örtlichen Niederlassung genannt, deren Adresse in dieser Anleitung steht. Eine Liste der Vertragswerkstätten und aller Kundendienststellen von Stanley Fat Max finden Sie auch im Internet unter: [www.stanley.eu/3](http://www.stanley.eu/3)

## Utilisation

Votre perceuse à percussion FME142 Stanley Fat Max peut visser et percer le bois, le métal, le plastique et la pierre. Ce produit est destiné aux professionnels et privés, des utilisateurs non professionnels.

## Consignes de sécurité

### Consignes de sécurité concernant les outils électroportatifs



**Attention ! Lisez avec attention tous les avertissements et toutes les instructions.** Le non-respect de cette consigne peut entraîner une électrocution, un incendie et/ou de graves blessures.

**Conservez tous les avertissements et instructions pour référence ultérieure.** La notion « d'outil électroportatif » mentionnée dans les consignes de sécurité se rapporte à des outils électriques raccordés au secteur (avec câble de raccordement) ou fonctionnant sur piles ou batterie (sans fil).

#### 1. Sécurité de la zone de travail

- a. **Maintenez la zone de travail propre et bien éclairée.**  
Un lieu de travail en désordre ou mal éclairé augmente le risque d'accidents.
- b. **N'utilisez pas les outils électroportatifs dans un environnement présentant des risques d'explosion ni en présence de liquides, gaz ou poussières inflammables.** Les outils électroportatifs génèrent des étincelles risquant d'enflammer les poussières ou les vapeurs.
- c. **Tenez les enfants et autres personnes éloignés durant l'utilisation de l'outil électroportatif.** En cas d'inattention, vous risquez de perdre le contrôle de l'outil.

#### 2. Sécurité électrique

- a. **La prise de l'outil électroportatif doit être compatible avec la prise d'alimentation. Ne modifiez en aucun cas la prise. N'utilisez pas de prises d'adaptateur avec des appareils ayant une prise de terre.** Le respect de ces consignes réduit le risque de choc électrique.
- b. **Évitez le contact physique avec des surfaces mises à la terre telles que tuyaux, radiateurs, fours et réfrigérateurs.** Le risque de choc électrique augmente si votre corps est relié à la terre.
- c. **N'exposez pas l'outil électroportatif à la pluie ou à l'humidité.** La pénétration d'eau dans un outil électroportatif augmente le risque de choc électrique.

- d. **Préservez le câble d'alimentation. N'utilisez pas le câble pour porter l'outil, pour l'accrocher. Ne le tirez pas pour le débrancher. Maintenez le câble éloigné des sources de chaleurs, des parties huilées, des bords tranchants ou des parties de l'appareil en rotation.** Le risque de choc électrique augmente si les câbles sont endommagés ou emmêlés.
  - e. **Si vous utilisez l'outil électroportatif à l'extérieur, utilisez une rallonge homologuée pour une utilisation à l'extérieur.** L'utilisation d'une rallonge électrique homologuée pour les travaux à l'extérieur réduit le risque de choc électrique.
  - f. **Si l'outil doit être utilisé dans un endroit humide, prenez les précautions nécessaires en utilisant un dispositif à courant résiduel (RCD).** L'utilisation d'un tel dispositif réduit les risques d'électrocution.
- ### 3. Sécurité personnelle
- a. **Restez vigilant, surveillez ce que vous faites. Faites preuve de bon sens quand vous utilisez un outil électroportatif. N'utilisez pas l'outil lorsque vous êtes fatigué ou après avoir consommé de l'alcool ainsi que des médicaments.** Un moment d'inattention en utilisant l'outil peut entraîner de graves blessures.
  - b. **Portez un équipement de protection. Portez toujours des lunettes de protection.** Selon le travail à effectuer, le port d'équipement de protection tels que masque anti-poussières, chaussures de sécurité antidérapantes, casque ou protection auditive, réduit le risque de blessures.
  - c. **Évitez un démarrage imprévu. L'appareil doit être en position OFF (arrêt) avant d'effectuer le branchement à l'alimentation et/ou au bloc-batterie, de le ramasser ou de le porter.** Ne laissez pas votre doigt sur le bouton de commande en le transportant. N'alimentez pas l'outil si le bouton est activé. Ceci pourrait être à l'origine d'accident.
  - d. **Enlevez tout outil ou clé de réglage avant de mettre l'appareil en marche.** Une clé ou un outil se trouvant sur une partie en rotation peut causer des blessures.
  - e. **Adoptez une position confortable. Adoptez une position stable et gardez votre équilibre en permanence.** Vous contrôlerez ainsi mieux l'outil dans des situations inattendues.
  - f. **Portez des vêtements appropriés. Ne portez pas de vêtements amples ou de bijoux. N'approchez pas les cheveux, vêtements ou gants des parties des pièces mobiles.** Les vêtements amples, les bijoux ou les cheveux longs peuvent s'accrocher dans les pièces en mouvement.



- g. **En cas d'utilisation d'appareils servant à aspirer ou à recueillir les poussières, assurez-vous qu'ils sont correctement raccordés et utilisés.** L'utilisation de tels dispositifs réduit les dangers dus aux poussières.

#### 4. Utilisation des outils électroportatifs et précautions

- a. **Respectez la capacité de l'outil. Utilisez l'outil électroportatif approprié pour le travail à effectuer.** Avec un outil approprié, vous travaillerez mieux et en toute sécurité.

- b. **N'utilisez pas un outil électroportatif dont l'interrupteur est défectueux.** Un outil électroportatif qui ne répond pas à la commande marche/arrêt est dangereux et doit être réparé.

- c. **Retirez la prise de courant et/ou débranchez le bloc-batterie avant d'effectuer des réglages, de changer les accessoires ou de ranger l'outil.** Cette mesure de précaution empêche de mettre l'outil en marche accidentellement.

- d. **Rangez les outils électroportatifs hors de portée des enfants. Les personnes ne connaissant pas l'outil ou n'ayant pas lu ces instructions ne doivent en aucun cas l'utiliser.** Les outils électroportatifs sont dangereux lorsqu'ils sont utilisés par des personnes non initiées.

- e. **Entretenez les outils électroportatifs. Vérifiez que les parties en mouvement fonctionnent correctement et qu'elles ne sont pas coincées. Vérifiez qu'il n'y a pas de pièces cassées ou endommagées susceptibles de nuire au bon fonctionnement de l'outil. S'il est endommagé, faites réparer l'outil avant de l'utiliser.** De nombreux accidents sont la conséquence d'outils mal entretenus.

- f. **Maintenez les outils de coupe aiguisés et propres.** Des outils soigneusement entretenus avec des bords tranchants bien aiguisés se coincent moins souvent et peuvent être guidés plus facilement.

- g. **Utilisez les outils électroportatifs, les accessoires, etc., en suivant ces instructions et en tenant compte des conditions de travail, ainsi que du travail à effectuer.** L'utilisation des outils électroportatifs à d'autres fins que celles prévues peut vous mettre en situation dangereuse.

#### 5. Réparations

- a. **Faites réparer votre outil électroportatif uniquement par du personnel qualifié et seulement avec des pièces de rechange appropriées.** Cela garantira le maintien de la sécurité de votre outil.

### Consignes de sécurité supplémentaires concernant les outils électroportatifs



**Attention !** Prendre encore plus de précautions pour les perceuses et les perceuses à percussion.

- ◆ **Portez un serre-tête antibruit si vous utilisez une perceuse à percussion.** L'exposition au bruit peut entraîner la perte de l'ouïe.
- ◆ **Utilisez les poignées auxiliaires livrées avec l'outil.** La perte de contrôle peut entraîner des blessures.
- ◆ **Tenez l'outil au niveau des surfaces de prise isolées. Ceci permet d'éviter les accidents en cas de contact de l'accessoire de coupe avec des fils cachés ou son propre câble.** En touchant un fil sous tension, la charge électrique passe dans les parties métalliques de l'outil électroportatif et il y a risque de choc électrique.
- ◆ N'utilisez jamais un burin en mode rotatif. L'accessoire peut se tordre à l'intérieur du matériel et faire tourner le foret.
- ◆ Utilisez des pinces ou autres pour fixer et soutenir la pièce de manière stable. Si vous la tenez à la main ou contre votre corps, elle ne sera pas stable et vous pouvez en perdre le contrôle.
- ◆ Avant de percer les murs, les planchers ou les plafonds, vérifiez l'emplacement des câblages et des tuyaux.
- ◆ Évitez de toucher le bout d'un foret juste après avoir percé. Il peut être chaud.
- ◆ Les consignes d'utilisation sont données dans ce manuel d'instructions. L'utilisation d'un accessoire ou d'une fixation, ou bien l'utilisation de cet outil à d'autres fins que celles recommandées dans ce manuel d'instructions peut entraîner des blessures et/ou des dommages matériels.

### Sécurité des personnes

- ◆ Cet outil ne doit pas être utilisé par des personnes (y compris les enfants) ayant des déficiences physiques, mentales ou sensorielles. Cette consigne s'applique aussi aux personnes manquant d'expérience et de connaissance du matériel, à moins que celles-ci n'aient reçu les instructions appropriées ou qu'elles ne soient encadrées par une personne responsable de leur sécurité pour utiliser l'outil.
- ◆ Ne laissez jamais les enfants sans surveillance pour éviter qu'ils ne jouent avec cet outil.

### Risques résiduels.

L'utilisation d'un outil non mentionné dans les consignes de sécurité données peut entraîner des risques résiduels supplémentaires. Ces risques peuvent survenir si la machine est mal utilisée, si l'utilisation est prolongée, etc.



Malgré l'application des normes de sécurité correspondantes et la présence de dispositifs de sécurité, les risques résiduels suivants ne peuvent être évités. Ceci comprend :

- ◆ Les blessures dues au contact avec une pièce mobile/en rotation.
- ◆ Les blessures causées en changeant des pièces, lames ou accessoires.
- ◆ Les blessures dues à l'utilisation prolongée d'un outil. Une utilisation prolongée de l'outil nécessite des pauses régulières.
- ◆ Déficience auditive.
- ◆ Risques pour la santé causés par l'inhalation de poussières produites pendant l'utilisation de l'outil (exemple : travail avec du bois, surtout le chêne, le hêtre et les panneaux en MDF).

### Vibration

La valeur des émissions de vibration déclarée dans la section Déclaration/Données techniques de conformité a été mesurée selon une méthode d'essai standard fournie par la norme EN 60745 et peut être utilisée pour comparer un outil à un autre. Elle peut aussi être utilisée pour une évaluation préliminaire à l'exposition.

**Attention !** Selon la manière dont l'outil est utilisé, la valeur des émissions de vibration pendant l'utilisation de l'outil peut être différente de la valeur déclarée. Le niveau de vibration peut augmenter au-dessus du niveau établi.

Quand l'exposition aux vibrations est évaluée afin de déterminer les mesures de sécurité requises par la norme 2002/44/CE pour protéger les personnes utilisant régulièrement des outils électroportatifs, il faut tenir compte d'une estimation de l'exposition aux vibrations, des conditions actuelles d'utilisation et de la manière dont l'outil est utilisé. Il faut aussi tenir compte de toutes les pièces du cycle de fonctionnement comme la durée pendant laquelle l'outil est arrêté et quand il fonctionne au ralenti, ainsi que la durée du déclenchement.

### Étiquettes de l'outil

Outre le code de date, les symboles suivants sont apposés sur l'outil :



**Attention !** Pour réduire le risque de blessures, l'utilisateur doit lire le manuel d'instructions.

### Sécurité électrique



Cet outil est doublement isolé. Par conséquent, aucun câble de mise à la terre n'est nécessaire. Vérifiez si l'alimentation mentionnée sur la plaque signalétique de l'outil correspond bien à la tension présente sur le lieu.

- ◆ Si le câble d'alimentation est endommagé, il doit être remplacé par le fabricant ou par un Centre de réparation agréé Stanley Fat Max pour éviter les risques éventuels.

### Caractéristiques

Cet outil comprend certains ou tous les éléments suivants.

1. Sélecteur de vitesse
2. Bouton de verrouillage
3. Bouton de commande de variation de vitesse
4. Bouton de commande avant/arrière
5. Sélecteur deux vitesses
6. Sélecteur de mode de perçage
7. Mandrin
8. Butée de profondeur
9. Poignée latérale

### Assemblage

**Attention !** Avant l'assemblage, assurez-vous que l'outil est éteint et débranché.

### Installation de la poignée latérale et de la butée de profondeur (figure A)

- ◆ Tournez le manche dans le sens inverse des aiguilles d'une montre jusqu'à ce que la poignée latérale (9) puisse glisser sur l'avant de l'outil.
- ◆ Tournez la poignée latérale dans la position désirée.
- ◆ Insérez la butée de profondeur (8) dans l'orifice de montage, comme indiqué.
- ◆ Ajustez la profondeur de perçage comme décrit ci-dessous.
- ◆ Serrez la poignée latérale en tournant le manche dans le sens des aiguilles d'une montre.

### Réglage de la profondeur de perçage (figure A)

- ◆ Relâchez la poignée latérale (9) en tournant le manche dans le sens inverse des aiguilles d'une montre.
- ◆ Réglez la butée de profondeur (8) à la position désirée. La profondeur de perçage maximale est égale à la distance entre le bout du foret et l'extrémité avant de la butée de profondeur.
- ◆ Serrez la poignée latérale en tournant le manche dans le sens des aiguilles d'une montre.

### Mise en place d'un accessoire (figure B)

- ◆ Ouvrez le mandrin en tournant la partie avant (11) avec une main tout en maintenant la partie arrière (13) de l'autre main.
- ◆ Insérez la tige du foret (12) dans le mandrin. Serrez ensuite le mandrin fermement.

## Utilisation

**Attention !** Laissez l'outil fonctionner à sa propre vitesse. Ne le poussez pas au-delà de sa limite.

**Attention !** Avant de percer les murs, les planchers ou les plafonds, vérifiez l'emplacement des câblages et des tuyaux.

## Sélection du mode de perçage

- ◆ Pour percer de la pierre et du béton, réglez le sélecteur de mode de fonctionnement (6) en position **T2**.
- ◆ Pour percer dans l'acier, le bois et le plastique, réglez le sélecteur de mode (6) en position **1**.

## Sélecteur deux vitesses (figure A)

- ◆ Pour percer dans l'acier et pour les applications de vissage, tournez le sélecteur deux vitesses (5) en position 1 en alignant la flèche (10) avec le chiffre 1 (1ère vitesse).
- ◆ Pour percer dans des matériaux autres que l'acier, tournez le sélecteur deux vitesses (5) en position 2 en alignant la flèche (10) avec le chiffre 2 (2ème vitesse).

## Sélection du sens de rotation

Pour percer et pour serrer les vis, utilisez la rotation dans le sens des aiguilles d'une montre. Pour desserrer les vis ou retirer un foret bloqué, utilisez la rotation dans le sens inverse des aiguilles d'une montre.

- ◆ Pour sélectionner la rotation dans le sens des aiguilles d'une montre, poussez le bouton de commande avant/arrière (4) vers la gauche.
- ◆ Pour sélectionner la rotation dans le sens inverse des aiguilles d'une montre, poussez le bouton de commande avant/arrière vers la droite.

**Attention !** Ne changez jamais le sens de rotation quand le moteur tourne.

## Mise en marche et arrêt

- ◆ Pour mettre l'outil en marche, appuyez sur le sélecteur de vitesse (1). La vitesse de l'outil dépend de la pression sur le bouton. Si l'outil possède un bouton de commande de variation de vitesse (3), sélectionnez la vitesse désirée. Normalement, les vitesses lentes correspondent aux forets à large diamètre et les vitesses rapides aux forets de faible diamètre.
- ◆ En mode continu, appuyez sur le bouton de verrouillage (2) et relâchez le sélecteur de vitesse. Cette option est disponible uniquement à la vitesse max. ou à n'importe quelle vitesse préréglée avec le bouton de commande de sélection de vitesse (3). Cette option ne fonctionne pas en rotation inverse.
- ◆ Pour arrêter l'outil, relâchez le sélecteur de vitesse. Pour arrêter l'outil quand celui-ci est en mode continu, appuyez de nouveau sur le sélecteur, puis relâchez-le.

## Accessoires

La qualité de travail réalisé par votre outil dépend des accessoires utilisés. Les accessoires Stanley Fat Max correspondent aux normes de qualité supérieure et sont conçus pour donner le meilleur résultat possible. En utilisant ces accessoires, votre outil vous donnera entière satisfaction.

## Entretien

Votre appareil/outil sans fil/avec fil Stanley Fat Max a été conçu pour fonctionner pendant longtemps avec un minimum d'entretien. Un fonctionnement continu satisfaisant dépend d'un nettoyage régulier et d'un entretien approprié de l'outil.

**Attention !** À ne pas oublier avant l'entretien des appareils électriques sans fil/avec fil :

- ◆ Arrêtez l'appareil/outil, puis débranchez-le.
- ◆ Ou, arrêtez l'appareil et retirez la batterie de l'appareil/outil si celui-ci est muni d'un bloc-batterie séparé.
- ◆ Ou bien déchargez complètement la batterie si elle est intégrée au système, puis arrêtez l'appareil (position Off).
- ◆ Débranchez le chargeur avant de le nettoyer. Aucun entretien particulier n'est nécessaire pour le chargeur en dehors du nettoyage régulier.
- ◆ Nettoyez régulièrement les orifices de ventilation de votre appareil/outil/chargeur à l'aide d'une brosse souple ou d'un chiffon sec.
- ◆ Nettoyez régulièrement le compartiment du moteur à l'aide d'un chiffon humide. N'utilisez pas de produit abrasif ou à base de solvant.
- ◆ Ouvrez régulièrement le mandrin et retirez la poussière à l'intérieur en le tapant (si installé).

## Remplacement des prises secteur (RU et Irlande uniquement)

Si une nouvelle prise secteur doit être installée :

- ◆ Mettez au rebut la vieille prise.
- ◆ Branchez le fil brun dans la borne de la nouvelle prise.
- ◆ Branchez le fil bleu à la borne neutre.

**Attention !** Aucune connexion ne doit être faite à la borne de terre. Suivez les instructions de montage fournies avec les prises de bonne qualité. Fusibles recommandés : 5 A.

## Protection de l'environnement



Recyclage. Ce produit ne doit pas être jeté avec les déchets ménagers.

Si votre appareil/outil Stanley Fat Max doit être remplacé ou si vous ne l'utilisez plus, ne le jetez pas avec les ordures ménagères. Songez à la protection de l'environnement et recyclez-le.



La collecte séparée des produits et des emballages usagés permet de recycler et de réutiliser des matériaux.

La réutilisation de matériaux recyclés évite la pollution de l'environnement et réduit la demande de matières premières.

Des réglementations locales peuvent stipuler la collecte séparée des produits électriques et des produits ménagers, dans des déchetteries municipales ou par le revendeur lorsque vous achetez un nouveau produit.

Stanley Europe offre une solution permettant de recycler les produits Stanley Fat Max lorsqu'ils ont atteint la fin de leur cycle de vie. Pour pouvoir profiter de ce service, veuillez retourner votre produit à un réparateur agréé qui se chargera de le collecter pour nous.

Pour connaître l'adresse du réparateur agréé le plus proche de chez vous, contactez le bureau Stanley Europe à l'adresse indiquée dans ce manuel. Vous pourrez aussi trouver une liste de réparateurs agréés Stanley Europe et de plus amples détails à propos de notre service après-vente sur le site Internet : [www.2helpU.com](http://www.2helpU.com)

## Caractéristiques techniques

		FME142 (Type 1)
Tension d'entrée	$V_{AC}$	230
Puissance	W	850
Vitesse à vide	$\text{min}^{-1}$	0-1100 / 0-3100
Résistance au choc	$\text{min}^{-1}$	0-18,700 / 0-52,700
Capacité max de perçage		
Béton	mm	18
Acier	mm	13
Bois	mm	50
Poids	kg	2.5

Valeurs totales des vibrations (somme vectorielle triaxiale) selon la norme EN 60745 :
Perçage à percussion, béton ( $a_{h,10}$ ) 11 $\text{m/s}^2$ , incertitude (K) 1.5 $\text{m/s}^2$
Perçage, métal ( $a_{h,D}$ ) 1.5 $\text{m/s}^2$ , incertitude (K) 1.5 $\text{m/s}^2$

## Déclaration de conformité CE

### CONSIGNES DE MACHINERIE



FME142 Perceuse à percussion

Stanley Europe confirme que les produits décrits dans les « Données techniques » sont conformes aux normes :  
2006/42/CE, EN60745-1:2009+A11:2010,  
EN60745-2-1:2010

Ces produits sont conformes aux normes 2014/30/EU et 2011/65/UE. Pour plus de détails, veuillez contacter Stanley Europe à l'adresse suivante ou reportez-vous au dos du manuel.

Pour plus de détails, veuillez contacter Stanley Europe à l'adresse suivante ou reportez-vous au dos du manuel.

Le soussigné est responsable des données de la fiche technique et fait cette déclaration au nom de Stanley Europe.

R. Laverick  
Engineering Director  
Stanley Europe, Egide Walschaertsstraat14-18,  
2800 Mechelen, Belgique  
28/02/2017

Niveau de pression sonore selon la norme EN 60745 :
Pression sonore ( $L_{pA}$ ) 92 dB(A), incertitude (K) 3 dB(A)
Puissance sonore ( $L_{WA}$ ) 105 dB(A), incertitude (K) 3 dB(A)

## Garantie

Stanley Europe assure la qualité de ses produits et offre aux utilisateurs professionnels une garantie très élargie. Ce certificat de garantie est un document supplémentaire et ne peut en aucun cas se substituer à vos droits contractuels en tant qu'utilisateur privé non professionnel. La garantie est valable sur tout le territoire des États Membres de l'Union Européenne et de la Zone de Libre Échange Européenne.

### **GARANTIE TOTALE UN AN**

Si un produit Stanley Fat Max s'avère défectueux en raison de matériaux en mauvais état ou d'une erreur humaine dans les 12 mois suivant la date d'achat, Stanley Europe garantit le remplacement gratuit ou – à sa discrétion - des pièces défectueuses si :

- ◆ Le produit a été correctement utilisé et a été utilisé en respectant les instructions du manuel.
- ◆ L'usure du produit est normale ;
- ◆ Les réparations ont été effectuées par des personnes agréées ;
- ◆ Une preuve d'achat est donnée ;
- ◆ Le produit Stanley Fat Max est réexpédié avec tous les composants d'origine.

Pour toutes réclamations, recherchez l'adresse du réparateur agréé Stanley le plus proche de chez vous dans le catalogue Fat Max ou contactez le bureau local Stanley à l'adresse indiquée dans ce manuel. Une liste de réparateurs agréés Fat Max et de plus amples détails sur notre service après-vente sont disponibles sur le site Internet [www.stanley.eu/3](http://www.stanley.eu/3)

## Uso previsto

Il trapano a percussione FME142 Stanley Fat Max è stato progettato per trapanare legno, metallo, plastica e murature oltre che per avvitare. Questo strumento è destinato a professionisti e private, gli utenti non professionali.

## Istruzioni di sicurezza

### Avvisi di sicurezza generici per gli elettrodomestici



**Avvertenza! Leggere tutti gli avvisi di sicurezza e tutte le istruzioni.** La mancata osservazione dei presenti avvisi e istruzioni potrebbe causare scosse elettriche, incendi e/o infortuni gravi.

**Conservare tutte le istruzioni e le avvertenze per futura consultazione.** Il termine "elettrodomestico" che ricorre in tutti gli avvisi seguenti si riferisce a utensili elettrici alimentati dalla rete (con filo) o a batteria (senza filo).

#### 1. Sicurezza nella zona di lavoro

- Mantenere pulita e bene illuminata la zona di lavoro.** Il disordine o la scarsa illuminazione possono causare incidenti.
- Evitare d'impiegare gli elettrodomestici in ambienti esposti al rischio di esplosione, ad esempio in presenza di liquidi, gas o polveri infiammabili.** Gli elettrodomestici producono scintille che possono far infiammare la polvere o i fumi.
- Mantenere lontani bambini e osservatori mentre si usa l'elettrodomestico.** Eventuali distrazioni possono comportare la perdita del controllo dell'elettrodomestico.

#### 2. Sicurezza elettrica

- Le spine elettriche degli elettrodomestici devono essere adatte alla presa. Evitare assolutamente di modificare la spina elettrica. Non usare adattatori con elettrodomestici provvisti di messa a terra.** L'uso di spine inalterate e delle prese corrispondenti riduce il rischio di scosse elettriche.
- Evitare il contatto fisico con superfici collegate a terra, come tubi, radiatori, forni e frigoriferi.** Un corpo collegato a terra è esposto maggiormente al rischio di scosse elettriche.
- Custodire gli elettrodomestici al riparo dalla pioggia o dall'umidità.** L'eventuale infiltrazione di acqua in un elettrodomestico va ad aumentare il rischio di scosse elettriche.

- Non utilizzare il cavo in modo improprio. Non usare il cavo per trasportare o trainare l'elettrodomestico e non tirarlo per estrarre la spina dalla presa di corrente. Mantenere il cavo al riparo da calore, olio, bordi taglienti e/o da parti in movimento.** I cavi danneggiati o aggrovigliati aumentano il rischio di scosse elettriche.
- Se l'elettrodomestico viene adoperato all'aperto, usare esclusivamente prolunghie omologate per l'impiego all'esterno.** Un cavo adatto per uso esterno riduce il rischio di scosse elettriche.
- Se non è possibile evitare di lavorare in una zona umida, usare un'alimentazione elettrica protetta da un dispositivo a corrente residua (RCD).** L'uso di un dispositivo RCD riduce il rischio di scosse elettriche.

#### 3. Sicurezza delle persone

- È importante concentrarsi su ciò che si sta facendo e maneggiare con giudizio l'elettrodomestico. Non adoperare l'elettrodomestico se si è stanchi o sotto l'effetto di stupefacenti, alcol o medicinali.** Un attimo di distrazione durante l'uso dell'elettrodomestico può causare gravi infortuni personali.
- Utilizzare un equipaggiamento di protezione personale. Indossare sempre occhiali di sicurezza.** Se si avrà cura d'indossare l'equipaggiamento protettivo necessario, ad esempio una maschera antipolvere, delle calzature antiscivolo, un casco o delle otoprotezioni, si ridurrà il rischio di infortuni.
- Impedire l'avviamento involontario. Accertarsi che l'interruttore di accensione sia spento prima di collegare l'elettrodomestico all'alimentazione elettrica e/o al battery pack, di prenderlo in mano o di trasportarlo.** Per non esporsi al rischio di incidenti, non trasportare gli elettrodomestici tenendo le dita sull'interruttore oppure, se sono collegati a un'alimentazione elettrica, con l'interruttore acceso.
- Prima di accendere un elettrodomestico, togliere eventuali chiavi o attrezzi di regolazione.** Un attrezzo o una chiave lasciati in un componente mobile dell'elettrodomestico possono causare infortuni.
- Non piegarsi eccessivamente in avanti. Mantenere sempre un buon equilibrio evitando posizioni instabili.** In questo modo è possibile controllare meglio l'elettrodomestico in situazioni inaspettate.
- Vestirsi adeguatamente. Evitare di indossare indumenti larghi o gioielli. Tenere capelli, capi di vestiario e guanti lontani da parti in movimento.** Indumenti larghi, gioielli o capelli lunghi possono impigliarsi nelle parti in movimento.

- g. Se gli elettrotensili sono provvisti di attacchi per il collegamento di dispositivi di aspirazione o di raccolta della polvere, assicurarsi che questi siano installati e utilizzati correttamente.** L'impiego di dispositivi di raccolta della polvere diminuisce i rischi relativi alle polveri.
- 4. Uso e cura degli elettrotensili**
- a. Non sovraccaricare l'elettrotensile. Usare l'elettrotensile adatto al lavoro da eseguire.**  
Utilizzando l'elettrotensile adatto si potrà lavorare meglio e con maggiore sicurezza alla potenza nominale prevista.
- b. Non utilizzare elettrotensili con interruttori difettosi.**  
Un elettrotensile che non può essere controllato mediante l'interruttore è pericoloso e deve essere riparato.
- c. Scollegare la spina dalla presa di corrente e/o il battery pack dall'elettrotensile prima di regolarlo, di sostituire gli accessori o di riparlo.** Queste precauzioni di sicurezza riducono la possibilità che l'elettrotensile sia messo in funzione inavvertitamente.
- d. Quando non sono usati, gli elettrotensili devono essere custoditi fuori della portata dei bambini. Non consentire l'uso dell'elettrotensile a persone inesperte o che non abbiano letto le presenti istruzioni.** Gli elettrotensili risultano pericolosi se usati da persone inesperte.
- e. Sottoporre gli elettrotensili alle necessarie procedure di manutenzione. Verificare che le parti mobili siano bene allineate e non inceppate, che non vi siano componenti rotti e che non sussistano altre condizioni che possono compromettere il funzionamento dell'elettrotensile. In caso di danni, riparare l'elettrotensile prima dell'uso.** La scarsa manutenzione causa molti incidenti.
- f. Mantenere affilati e puliti gli utensili da taglio.** Se sottoposti alla giusta manutenzione, gli strumenti da taglio con taglienti affilati s'inceppano meno frequentemente e sono più facili da manovrare.
- g. Utilizzare l'elettrotensile, gli accessori e le punte in conformità delle presenti istruzioni, tenendo conto delle condizioni di lavoro e del lavoro da completare.**  
L'impiego dell'elettrotensile per usi diversi da quelli consentiti può dar luogo a situazioni pericolose.
- 5. Riparazioni**
- a. Fare riparare l'elettrotensile solo ed esclusivamente da personale specializzato e solo impiegando pezzi di ricambio originali, onde non alterarne la sicurezza.**
- ◆ **Indossare otoprotezioni quando si usano i trapani a percussione.** L'esposizione al rumore può causare la perdita dell'udito.
  - ◆ **Usare le impugnature ausiliarie fornite con l'elettrotensile.** La perdita di controllo può causare lesioni personali.
  - ◆ **Tenere l'elettrotensile afferrando le impugnature isolate se vi è la possibilità che la punta del trapano possa venire a contatto di cavi nascosti o del filo di alimentazione.** Il contatto tra l'accessorio di taglio e un filo sotto tensione mette sotto tensione le parti metalliche esposte dell'elettrotensile e potrebbe esporre l'operatore a scosse elettriche.
  - ◆ **Non usare mai un accessorio per scappellatura nella modalità rotativa.** L'accessorio rimarrà inceppato nel materiale e farà ruotare il trapano.
  - ◆ **Usare morsetti o altri metodi pratici per fissare e sorreggere il pezzo in lavorazione su una base stabile.** Un pezzo tenuto dalla mano o contro il corpo, può diventare poco stabile e causare la perdita di controllo.
  - ◆ **Prima di trapanare pareti, pavimenti o soffitti, controllare l'ubicazione di fili e tubazioni.**
  - ◆ **Evitare di toccare la punta di una punta del trapano subito dopo la trapanatura, dato che potrebbe essere calda.**
  - ◆ **L'uso previsto è descritto nel presente manuale d'uso.** Se questo elettrotensile viene usato con accessori o per usi diversi da quelli raccomandati nel presente manuale d'uso, si potrebbero verificare lesioni personali e/o danni alle cose.
- Sicurezza altrui**
- ◆ Questo elettrotensile non è stato progettato per impiego da parte di persone (o bambini) portatrici di handicap fisici, psichici o sensoriali o che non abbiano la dovuta esperienza o conoscenza, a meno che non siano seguite o opportunamente istruite sul suo impiego da parte di una persona responsabile della loro sicurezza.
  - ◆ **Controllare che i bambini non giochino con l'elettrotensile.**
- Rischi residui.**
- Quando si usa l'elettrotensile, possono esservi altri rischi residui che possono non essere stati contemplati negli avvisi di sicurezza allegati. Tali rischi possono sorgere a seguito di un uso prolungato o improprio, ecc.  
Perfino adottando gli appositi regolamenti di sicurezza e utilizzando i dispositivi di sicurezza, certi rischi residui non possono essere evitati. Essi comprendono:
- ◆ Lesioni causate o subite a seguito del contatto con parti rotanti/in movimento.
  - ◆ Lesioni causate o subite durante la sostituzione di parti, lame o accessori.



**Avvertenza!** Addizionali avvisi di sicurezza per i trapani normali e quelli a percussione

- ◆ Lesioni causate dall'impiego prolungato di un elettrotensile. Quando si usa qualsiasi elettrotensile per lunghi periodi, accertarsi di fare regolarmente delle pause.
- ◆ Problemi di udito.
- ◆ Rischi per la salute causati dall'aspirazione di polvere generata dall'utilizzo dell'elettrotensile (ad esempio quando si lavora con il legno, in modo particolare quello di quercia, faggio o l'MDF.)

## Vibrazioni

I valori dichiarati delle emissioni di vibrazioni al paragrafo Dati tecnici e nella Dichiarazione di conformità del presente manuale sono stati misurati in base al metodo di test standard previsto dalla normativa EN 60745 e possono essere usati come parametri di confronto tra due utensili. Il valore delle emissioni di vibrazioni dichiarato può anche essere usato come valutazione preliminare dell'esposizione.

**Avvertenza!** Il valore delle emissioni di vibrazioni durante l'impiego effettivo dell'elettrotensile può variare da quello dichiarato a seconda delle modalità d'uso. Il livello delle vibrazioni può aumentare oltre quello dichiarato.

Quando si valuta l'esposizione alle vibrazioni per determinare le misure di sicurezza richieste, in conformità alla normativa 2002/44/CE e destinata alla protezione delle persone che usano regolarmente gli elettrotensili nello svolgimento delle proprie mansioni, è necessario prendere in considerazione le condizioni effettive di utilizzo e il modo in cui l'utensile è usato, oltre a tenere in conto tutte le componenti del ciclo operativo, vale a dire i periodi in cui l'elettrotensile è spento, quelli in cui è acceso, ma a riposo e quelli in cui è effettivamente utilizzato.

## Etichette sull'elettrotensile

Sull'elettrotensile sono presenti i seguenti simboli assieme al codice data:



**Avvertenza!** Per ridurre il rischio di infortuni, l'utente deve leggere il manuale d'uso.

## Sicurezza elettrica



Il doppio isolamento di cui è provvisto l'elettrotensile rende superfluo il filo di terra. Controllare sempre che l'alimentazione corrisponda alla tensione indicata sulla targhetta dei dati tecnici.

- ◆ In caso di danneggiamento del filo di alimentazione, è necessario farlo riparare dal fabbricante o presso un centro assistenza Stanley Fat Max autorizzato in modo da evitare eventuali pericoli.

## Caratteristiche

Questo elettrotensile presenta alcune o tutte le seguenti caratteristiche.

1. Interruttore a velocità variabile
2. Pulsante di bloccaggio
3. Manopola comando velocità variabile
4. Interruttore avanti/indietro
5. Selettore a due marce
6. Selettore modalità di trapanatura
7. Mandrino portapunta
8. Arresto di profondità
9. Impugnatura laterale

## Montaggio

**Avvertenza!** Prima di montare l'elettrotensile, assicurarsi che sia spento e scollegato dalla presa di corrente.

### Montaggio dell'impugnatura laterale e dell'arresto di profondità (fig. A)

- ◆ Ruotare l'impugnatura in senso antiorario fino a quando è possibile infilare l'impugnatura laterale (9) sulla parte anteriore dell'elettrotensile come illustrato.
- ◆ Ruotare l'impugnatura laterale nella posizione desiderata.
- ◆ Inserire l'arresto di profondità (8) nel foro di fissaggio come illustrato.
- ◆ Regolare la profondità di trapanatura come descritto di seguito.
- ◆ Serrare l'impugnatura laterale ruotando quella principale in senso orario.

### Regolazione della profondità di trapanatura (fig. A)

- ◆ Allentare l'impugnatura laterale (9) ruotando quella principale in senso antiorario.
- ◆ Regolare l'arresto di profondità (8) sulla posizione desiderata. La profondità di trapanatura massima è pari alla distanza tra la punta della punta da trapano e l'estremità frontale dell'arresto di profondità.
- ◆ Serrare l'impugnatura laterale ruotando quella principale in senso orario.

### Montaggio di un accessorio (fig. B)

- ◆ Aprire il mandrino portapunta ruotando la parte anteriore (11) con una mano e tenendo al tempo stesso quella posteriore (13) con l'altra.
- ◆ Inserire il codolo della punta (12) nel mandrino portapunta e serrare quest'ultimo con forza.

## Utilizzo

**Avvertenza!** Lasciare che l'elettrotensile funzioni al suo ritmo. Non sovraccaricarlo.

**Avvertenza!** Prima di trapanare pareti, pavimenti o soffitti, controllare l'ubicazione di fili e tubazioni.

### Selezione della modalità di trapanatura

- ◆ Per la trapanatura a percussione nelle murature e nel calcestruzzo, regolare il selettore della modalità operativa (6) sulla posizione **T1**.
- ◆ Per la trapanatura di acciaio, legno e plastica, regolare il selettore della modalità operativa (6) sulla posizione **2**.

### Selettore a due marce (fig. A)

- ◆ Per la trapanatura dell'acciaio e per l'avvitatura, far scorrere il selettore a due marce (5) nella posizione 1, allineando la freccia (10) al numero 1 (1a marcia).
- ◆ Per la trapanatura di materiali diversi dall'acciaio, far scorrere il selettore a due marce (5) nella posizione 2, allineando la freccia (10) al numero 2 (2a marcia).

### Selezione della direzione di rotazione

Per la trapanatura e per l'avvitatura usare la rotazione in avanti (senso orario). Per allentare le viti o per rimuovere punte da trapano incastrate, usare la rotazione indietro (senso antiorario).

- ◆ Per selezionare la rotazione in avanti, spingere il cursore avanti/indietro (4) verso sinistra.
- ◆ Per selezionare la rotazione indietro, spingere il cursore avanti/indietro verso destra.

**Avvertenza!** Non cambiare mai la direzione di rotazione quando il motore è in funzione.

### Accensione e spegnimento

- ◆ Per accendere l'elettrotensile, premere l'interruttore a velocità variabile (1). La velocità dell'elettrotensile dipende dal tipo di pressione esercitata sull'interruttore. Se l'elettrotensile è dotato di pomello di comando della velocità variabile (3) regolarlo sulla velocità richiesta. Di regola, usare velocità basse per le punte da trapano di grosso diametro e velocità alte per quelle di diametro più piccolo.
- ◆ Per il funzionamento continuo, premere il pulsante di bloccaggio (2) e rilasciare l'interruttore a velocità variabile. Questa opzione è disponibile solo alla massima velocità o a qualsiasi velocità preimpostata mediante il pomello di comando della velocità variabile (3). Questa opzione non funziona con la rotazione indietro.

- ◆ Per spegnere l'elettrotensile, rilasciare l'interruttore di accensione a velocità variabile. Per spegnere l'elettrotensile durante il funzionamento continuo, premere ancora una volta l'interruttore a velocità variabile e rilasciarlo.

### Accessori

Le prestazioni dell'elettrotensile dipendono dall'accessorio usato. Gli accessori Stanley Fat Max sono stati fabbricati in base a standard qualitativi elevati e sono stati progettati per ottenere le migliori prestazioni dall'elettrotensile. Usando questi accessori si otterrà il meglio dall'elettrotensile.

### Manutenzione

Questo apparecchio/elettrotensile Stanley Fat Max con o senza filo è stato progettato per funzionare a lungo con una manutenzione minima. Per ottenere prestazioni sempre soddisfacenti occorre avere cura dell'elettrotensile e sottoporlo a pulizia periodica.

**Avvertenza!** Prima di eseguire interventi di manutenzione su elettrotensili con o senza filo procedere come descritto di seguito.

- ◆ Spegner e scollegare l'apparecchio/elettrotensile dalla presa di corrente.
- ◆ Oppure spegnere ed estrarre la batteria se l'apparecchio/elettrotensile è dotato di battery pack a parte.
- ◆ Oppure scaricare completamente la batteria se è di tipo integrale e quindi spegnerlo.
- ◆ Scollegare l'alimentatore dalla presa di corrente prima di pulirlo. L'alimentatore non richiede nessuna manutenzione salvo una regolare pulizia.
- ◆ Pulire regolarmente le prese di ventilazione dell'apparecchio/elettrotensile/alimentatore con un pennello o con un panno morbido e asciutto.
- ◆ Il vano del motore deve essere pulito regolarmente con un panno umido. Non usare materiali abrasivi o detergenti a base di solventi.
- ◆ Aprire regolarmente il mandrino portapunta e batterlo leggermente per eliminare la polvere dall'interno (se in dotazione).

### Sostituzione della spina (solo Regno Unito e Irlanda)

Se è necessario montare una nuova spina,

- ◆ smaltire in tutta sicurezza quella vecchia.
- ◆ Collegare il filo marrone al morsetto sotto tensione della nuova spina.
- ◆ Collegare il filo blu al morsetto neutro.

**Avvertenza!** Non effettuare nessun collegamento sul morsetto di terra. Seguire le istruzioni fornite con le spine di buona qualità. Fusibile raccomandato: 5 A.



## Protezione dell'ambiente



Raccolta differenziata. Questo prodotto non deve essere smaltito con i normali rifiuti domestici.

Nel caso in cui l'elettrotensile Stanley Fat Max debba essere sostituito o non sia più necessario, non smaltirlo con i normali rifiuti domestici. Metterlo da parte per la raccolta differenziata.



La raccolta differenziata dei prodotti e degli imballaggi utilizzati consente il riciclaggio dei materiali e il loro continuo utilizzo.

Il riutilizzo dei materiali riciclati favorisce la protezione dell'ambiente prevenendo l'inquinamento e riduce il fabbisogno di materie prime.

Seguire la regolamentazione locale per la raccolta differenziata dei prodotti elettrici che può prevedere punti di raccolta o la consegna dell'elettrotensile al rivenditore presso il quale viene acquistato un nuovo prodotto.

Stanley Europe offre ai propri clienti la possibilità di riciclare i prodotti Stanley Fat Max che hanno esaurito la loro vita di servizio. Per usufruire di tale servizio, è sufficiente restituire il prodotto a qualsiasi tecnico autorizzato, incaricato della raccolta per conto dell'azienda.

Per individuare il tecnico autorizzato più vicino, rivolgersi alla sede Stanley Europe locale, presso il recapito indicato nel presente manuale. Altrimenti, un elenco completo di tutti i tecnici autorizzati Stanley Europe e i dettagli completi sui contatti e i servizi post-vendita sono disponibili su Internet all'indirizzo: [www.2helpU.com](http://www.2helpU.com)

## Dati tecnici

		FME142 (Tipo 1)
Tensione in ingresso	$V_{AC}$	230
Potenza assorbita	W	850
Regime a vuoto	$\text{min}^{-1}$	0-1100 / 0-3100
Forza di percussione	$\text{min}^{-1}$	0-18,700 / 0-52,700
<b>Capacità di trapanatura max.</b>		
Calcestruzzo	mm	18
Acciaio	mm	13
Legno	mm	50
Peso	kg	2.5

### Livello di pressione sonora misurato in base a EN 60745:

Pressione sonora ( $L_{pA}$ ) 92 dB(A), incertezza (K) 3 dB(A)

Potenza acustica ( $L_{WA}$ ) 103 dB(A), incertezza (K) 3 dB(A)

### Valori totali vibrazioni (somma vettoriale triassiale) in base a EN 60745:

Trapanatura a percussione nel calcestruzzo ( $a_{h, ID}$ ) 11  $\text{m/s}^2$ , incertezza (K) 1.5  $\text{m/s}^2$

Trapanatura nel metallo ( $a_{h, D}$ ) 1.5  $\text{m/s}^2$ , incertezza (K) 1.5  $\text{m/s}^2$

**Dichiarazione di conformità CE**

DIRETTIVA SUI MACCHINARI



FME142 trapano a percussione

Stanley Europe dichiara che questi prodotti descritti al paragrafo "Dati tecnici" sono conformi a:

2006/42/CE, EN60745-1:2009+A11:2010, EN60745-2-1:2010

Questi prodotti sono conformi alla Direttiva 2014/30/EU e 2011/65/UE. Per ulteriori informazioni contattare Stanley Europe al seguente indirizzo oppure consultare l'ultima di copertina del manuale.

Per ulteriori informazioni contattare Stanley Europe al seguente indirizzo oppure consultare l'ultima di copertina del manuale.

Il sottoscritto è responsabile della redazione di questo documento tecnico e rilascia questa dichiarazione per conto di Stanley Europe.

R. Laverick  
Engineering Director  
Stanley Europe, Egide Walschaertsstraat14-18,  
2800 Mechelen, Belgio  
28/02/2017

**Garanzia**

Certa della qualità dei suoi prodotti, StanleyEurope offre una garanzia eccezionale per l'uso professionale di questo prodotto. Il presente certificato di garanzia è complementare ai diritti contrattuali come utente privato non professionale e non li pregiudica in alcun modo. La garanzia è valida entro il territorio degli Stati membri dell'Unione Europea e dell'EFTA (European Free Trade Area).

**GARANZIA TOTALE DI UN ANNO**

Se un prodotto Stanley Fat Max risulta difettoso per qualità del materiale, della costruzione o per mancata conformità entro 12 mesi dalla data di acquisto, Stanley Europe garantisce, a sua discrezione, la sostituzione gratuita di tutte le parti difettose oppure la sostituzione gratuita del prodotto sempre che:

- ◆ il prodotto non sia stato usato in modo improprio ma bensì in conformità al manuale d'uso;
- ◆ il prodotto sia stato usato in modo ragionevole;
- ◆ il prodotto non sia stato sottoposto a riparazioni da parte di persone non autorizzate;
- ◆ venga fornita la prova comprovante l'acquisto;
- ◆ il prodotto Stanley Fat Max venga reso completo con tutti i componenti originali

Se si desidera sporgere reclamo, rivolgersi al rivenditore di zona oppure controllare l'indirizzo del tecnico Stanley autorizzato più vicino nel catalogo Stanley Fat Max o contattare la sede Stanley Fat Max presso il recapito indicato nel presente manuale. Un elenco completo di tutti i tecnici autorizzati Stanley Fat Max e i dettagli completi sui servizi post-vendita sono disponibili su Internet all'indirizzo: [www.stanley.eu/3](http://www.stanley.eu/3)

## Beoogd gebruik

De slagboormachine FME142 van Stanley Fat Max is ontworpen voor het boren in hout, metaal, kunststof en steen, maar kan ook worden gebruikt als schroevendraaier. Deze tool bedoeld voor beroeps- en prive, niet-professionele gebruikers.

## Veiligheidsinstructies

### Algemene veiligheidswaarschuwingen voor elektrisch gereedschap



**Waarschuwing! Lees alle veiligheidswaarschuwingen en alle instructies.** Wanneer de volgende waarschuwingen en voorschriften niet in acht worden genomen, kan dit een elektrische schok, brand of ernstig letsel tot gevolg hebben.

**Bewaar alle waarschuwingen en instructies als referentiemateriaal.** Het in de waarschuwingen gebruikte begrip 'elektrisch gereedschap' heeft betrekking op elektrische gereedschappen voor gebruik op de netspanning (met netsnoer) of op accu (snoerloos).

#### 1. Veilige werkomgeving

- a. **Houd uw werkomgeving schoon en opgeruimd.** Een rommelige of slecht verlichte werkomgeving kan tot ongevallen leiden.
- b. **Gebruik elektrisch gereedschap niet in een omgeving met explosiegevaar, zoals in de nabijheid van brandbare vloeistoffen, gasen of stof.** Elektrisch gereedschap veroorzaakt vonken die het stof of de dampen tot ontsteking kunnen brengen.
- c. **Houd kinderen en andere personen tijdens het gebruik van elektrisch gereedschap uit de buurt.** Wanneer u wordt afgeleid, kunt u de controle over het gereedschap verliezen.

#### 2. Elektrische veiligheid

- a. **De netstekker van het gereedschap moet in het stopcontact passen. De stekker mag in geen geval worden omgebouwd. Gebruik geen adapterstekkers in combinatie met geaarde gereedschappen.** Niet-omgebouwde stekkers en passende stopcontacten beperken het risico van een elektrische schok.
- b. **Vermijd aanraking van het lichaam met geaarde oppervlakken, bijvoorbeeld buizen, verwarmingen, fornuizen en koelkasten.** Er bestaat een verhoogd risico op een elektrische schok wanneer uw lichaam geaard is.
- c. **Houd het gereedschap uit de buurt van regen en vocht.** Het binnendringen van water in het elektrische gereedschap vergroot het risico van een elektrische schok.

- d. **Gebruik het snoer niet voor een verkeerd doel. Gebruik het snoer niet om het gereedschap te dragen of op te hangen of om de stekker uit het stopcontact te trekken. Houd het snoer uit de buurt van hitte, olie, scherpe randen of bewegende delen.** Beschadigde of in de war geraakte snoeren vergroten het risico van een elektrische schok.
- e. **Wanneer u buitenshuis met elektrisch gereedschap werkt, dient u alleen verlengsnoeren te gebruiken die zijn goedgekeurd voor gebruik buitenshuis.** Het gebruik van een verlengsnoer dat geschikt is voor gebruik buitenshuis, beperkt het risico van een elektrische schok.
- f. **Als u een elektrisch gereedschap moet gebruiken in een vochtige locatie, moet u een reststroomschakelaar (RCD) gebruiken.** Met een aardlekschakelaar wordt het risico van een elektrische schok verkleind.

#### 3. Veiligheid van personen

- a. **Wees alert, let goed op wat u doet en ga met verstand te werk bij het gebruik van elektrische gereedschappen. Gebruik elektrisch gereedschap niet wanneer u moe bent of onder invloed van drugs, alcohol of medicijnen.** Een moment van onoplettendheid bij het gebruik van het gereedschap kan leiden tot ernstige verwondingen.
- b. **Draag een persoonlijke beschermende uitrusting. Draag altijd een veiligheidsbril.** Het dragen van een persoonlijke beschermende uitrusting zoals een stofmasker, slipvaste werkschoenen, een veiligheidshelm of gehoorbescherming, afhankelijk van de aard en het gebruik van het elektrische gereedschap, vermindert het risico van verwondingen.
- c. **Voorkom per ongeluk inschakelen. Controleer of de schakelaar in de uit-stand staat voordat u het gereedschap aansluit op het stopcontact en/of de accu en voordat u het gereedschap optilt of gaat dragen.** Wanneer u bij het dragen van het gereedschap uw vinger op de schakelaar houdt of wanneer u het gereedschap per ongeluk inschakelt, kan dat leiden tot ongevallen.
- d. **Verwijder instelgereedschappen of schroefsleutels voordat u het gereedschap inschakelt.** Een instelgereedschap of sleutel in een draaiend deel van het gereedschap kan tot verwondingen leiden.
- e. **Reik niet te ver. Zorg er altijd voor dat u stevig staat en in evenwicht blijft.** Daardoor kunt u het gereedschap in onverwachte situaties beter onder controle houden.
- f. **Draag geschikte kleding. Draag geen loshangende kleding of sieraden. Houd haren, kleding en handschoenen uit de buurt van bewegende delen.** Loshangende kleding, sieraden en lange haren kunnen door bewegende delen worden meegenomen.

**g. Wanneer stofafzuigings- of stofopvangvoorzieningen kunnen worden gemonteerd, dient u zich ervan te verzekeren dat deze zijn aangesloten en juist worden gebruikt.** Het gebruik van stofopvangvoorzieningen beperkt het gevaar door stof.

**4. Gebruik en onderhoud van elektrisch gereedschap**

- a. Overbelast het gereedschap niet. Gebruik het geschikte elektrische gereedschap voor uw toepassing.** Met het geschikte elektrische gereedschap werkt u beter en veiliger binnen het aangegeven capaciteitsbereik.
- b. Gebruik geen elektrisch gereedschap waarvan de schakelaar defect is.** Elektrisch gereedschap dat niet meer kan worden in- of uitgeschakeld, is gevaarlijk en moet worden gerepareerd.
- c. Trek de stekker uit het stopcontact en/of verwijder de accu uit het elektrisch gereedschap voordat u het gereedschap instelt, toebehoren wisselt of het gereedschap opbergt.** Met deze voorzorgsmaatregel voorkomt u onbedoeld starten van het gereedschap.
- d. Bewaar niet-gebruikte elektrische gereedschappen buiten bereik van kinderen. Laat het gereedschap niet gebruiken door personen die er niet vertrouwd mee zijn en deze aanwijzingen niet hebben gelezen.** Elektrische gereedschappen zijn gevaarlijk wanneer deze door onervaren personen worden gebruikt.
- e. Verzorg het gereedschap zorgvuldig. Controleer of bewegende delen van het gereedschap correct functioneren en niet klemmen, en of er onderdelen zodanig zijn gebroken of beschadigd dat de werking van het gereedschap nadelig wordt beïnvloed. Laat beschadigde delen repareren voordat u het gereedschap gebruikt.** Veel ongevallen worden veroorzaakt door slecht onderhouden elektrische gereedschappen.
- f. Houd snijdende inzetgereedschappen scherp en schoon.** Zorgvuldig onderhouden snijdende inzetgereedschappen met scherpe snijkanten klemmen minder snel vast en zijn gemakkelijker te geleiden.
- g. Gebruik elektrische gereedschappen, toebehoren, inzetgereedschappen en dergelijke volgens deze aanwijzingen. Let daarbij op de arbeidsomstandigheden en de uit te voeren werkzaamheden.** Het gebruik van elektrische gereedschappen voor andere dan de voorziene toepassingen kan leiden tot gevaarlijke situaties.

**5. Onderhoud**

- a. Laat het gereedschap alleen repareren door gekwalificeerd en vakkundig personeel en alleen met originele vervangingsonderdelen.** Daarmee wordt de veiligheid van het gereedschap gewaarborgd.

**Aanvullende veiligheidswaarschuwingen voor elektrisch gereedschap**



**Waarschuwing!** Aanvullende veiligheidswaarschuwingen voor boormachines en slagboormachines

- ◆ **Draag gehoorbeschermers bij gebruik als slagboor.** Door het geluid van het gereedschap kan uw gehoor worden beschadigd.
- ◆ **Gebruik de extra handgrepen die bij het gereedschap worden geleverd.** Als u de controle over het gereedschap verliest, kan dat letsel veroorzaken.
- ◆ **Houd het gereedschap vast bij de geïsoleerde greeppoppervlakken als u een handeling uitvoert waarbij het snijdende hulpstuk met onzichtbare draden of met het eigen snoer in aanraking kan komen.** Als een draad onder spanning wordt geraakt door het snijdende hulpstuk, komen onbedekte metalen onderdelen van het gereedschap onder spanning te staan en kunt u een elektrische schok krijgen.
- ◆ Gebruik nooit een beitelhulpstuk in de draaimodus. Het hulpstuk komt vast te zitten in het materiaal en de boormachine zal draaien.
- ◆ Gebruik klemmen of een andere praktische manier om het werkstuk op een stabiel platform vast te zetten en te steunen. Als u het werkstuk met de hand of tegen uw lichaam vasthoudt, is het niet stabiel en kunt u de controle over het gereedschap verliezen.
- ◆ Controleer waar zich bedrading en leidingen bevinden voordat u in muren, vloeren of plafonds boort.
- ◆ Raak de punt van een boor niet meteen na het boren aan. Deze kan heet zijn.
- ◆ In deze instructiehandleiding wordt ingegaan op het beoogde gebruik. Het gebruik van andere accessoires of hulpstukken dan wel de uitvoering van andere handelingen met dit gereedschap dan in deze gebruikershandleiding worden aanbevolen, kan tot persoonlijk letsel en/of schade aan eigendom leiden.

**Veiligheid van anderen**

- ◆ Dit apparaat mag niet worden gebruikt door personen (waaronder kinderen) met een lichamelijke of geestelijke beperking of die geen ervaring met of kennis van dit apparaat hebben, tenzij ze onder toezicht staan of instructies krijgen wat betreft het gebruik van het apparaat van een persoon die verantwoordelijk is voor hun veiligheid.
- ◆ Houd toezicht op kinderen om ervoor te zorgen dat zij niet met het apparaat gaan spelen.

## Overige risico's

Er kunnen zich tijdens het gebruik van het gereedschap ook andere risico's voordoen, die misschien niet in de bijgevoegde veiligheidswaarschuwingen worden vermeld. Deze risico's kunnen zich voordoen als gevolg van onoordeelkundig gebruik, langdurig gebruik, enz.

Zelfs als de veiligheidsvoorschriften in acht worden genomen en de veiligheidsvoorzieningen worden geïmplementeerd, kunnen bepaalde risico's niet worden vermeden. Deze omvatten:

- ◆ Verwondingen die worden veroorzaakt door het aanraken van draaiende of bewegende onderdelen.
- ◆ Verwondingen die worden veroorzaakt bij het vervangen van onderdelen, bladen of accessoires.
- ◆ Verwondingen die worden veroorzaakt door langdurig gebruik van het gereedschap. Als u langere periodes met het gereedschap werkt, is het raadzaam om regelmatig een pauze in te lassen.
- ◆ Gehoorbeschadiging.
- ◆ Gezondheidsrisico's als gevolg van het inademen van stof dat door gebruik van het gereedschap wordt veroorzaakt (bijvoorbeeld tijdens het werken met hout, vooral eiken, beuken en MDF.)

## Trillingen

De aangegeven waarden voor trillingsemisatie in de technische gegevens en de conformiteitsverklaring zijn gemeten conform een standaardtestmethode die door EN 60745 wordt geboden. Hiermee kan het ene gereedschap met het andere worden vergeleken. De aangegeven waarde voor trillingsemisatie kan ook worden gebruikt bij een voorlopige bepaling van blootstelling.

**Waarschuwing!** De waarde voor trillingsemisatie tijdens het werkelijke gebruik van het gereedschap kan verschillen van de aangegeven waarde afhankelijk van de manieren waarop het gereedschap wordt gebruikt. Het trillingsniveau kan hoger worden dan het aangegeven niveau.

Wanneer de blootstelling aan trillingen wordt vastgesteld teneinde veiligheidsmaatregelen te bepalen die worden vereist door 2002/44/EG ter bescherming van personen die tijdens hun werk regelmatig elektrische gereedschappen gebruiken, moet bij een schatting van de blootstelling aan trillingen rekening worden gehouden met de werkelijke omstandigheden van het gebruik en de manier waarop het gereedschap wordt gebruikt. Daarbij moet ook rekening worden gehouden met alle stappen in de gebruikscyclus, zoals het moment waarop het gereedschap wordt uitgeschakeld en wanneer het gereedschap stationair loopt alsook de aanlooptijd.

## Labels op het gereedschap

Naast de datumcode is het gereedschap voorzien van de volgende symbolen:



**Waarschuwing!** De gebruiker moet de instructiehandleiding lezen om het risico op letsel te vermindderen.

## Elektrische veiligheid



Dit gereedschap is dubbel geïsoleerd. Een aardaansluiting is daarom niet noodzakelijk. Controleer altijd of uw netspanning overeenkomt met de waarde op het typeplaatje.

- ◆ Als het netsnoer is beschadigd, moet dit, om ongelukken te voorkomen, worden vervangen door de fabrikant of in een Stanley Fat Max-servicecentrum.

## Onderdelen

Dit gereedschap kan de volgende onderdelen bevatten:

1. Schakelaar met variabele snelheden
2. Vergrendelingsknop
3. Regelknop voor variabele snelheid
4. Schakelaar voor rechtsom/linksom
5. Twee-versnellingschakelaar
6. Knop voor boormodus
7. Spanknop
8. Diepteregelaar
9. Zijgreep

## Montage

**Waarschuwing!** Zorg vóór aanvang van de montage dat het apparaat is uitgeschakeld en de netstekker is losgekoppeld van het lichtnet.

## Zijgreep en diepteregelaar bevestigen (fig. A)

- ◆ Draai de greep linksom totdat u de zijgreep (9) naar de voorkant van het gereedschap kunt schuiven, zoals aangegeven.
- ◆ Draai de zijgreep in de gewenste stand.
- ◆ Plaats de diepteregelaar (8) zoals aangegeven in het bevestigingsgat.
- ◆ Stel de boordiepte in op de hierna beschreven wijze.
- ◆ Zet de zijgreep vast door de greep rechtsom te draaien.

## De boordiepte instellen (fig. A)

- ◆ Maak de zijgreep(9) los door de greep linksom te draaien.
- ◆ Stel de diepteregelaar (8) in op de gewenste stand. De maximale boordiepte is gelijk aan de afstand tussen de punt van de boorbit en de voorkant van de diepteregelaar.
- ◆ Zet de zijgreep vast door de greep rechtsom te draaien.

### Een hulpstuk aanbrengen (fig. B)

- ◆ Open de spanknop door het voorste gedeelte(11) met uw ene hand te draaien terwijl u het achterste gedeelte(13) vasthoudt met de andere hand.
- ◆ Plaats de bitschacht (12) in de spanknop en zet de spanknop stevig vast.

### Gebruik van het gereedschap

**Waarschuwing!** Laat het gereedschap in zijn eigen tempo werken. Niet overbelasten.

**Waarschuwing!** Controleer waar zich bedrading en leidingen bevinden voordat u in muren, vloeren of plafonds boort.

### De boormodus selecteren

- ◆ Voor klopboren in metselwerk en beton, moet u de knop voor de gebruiksmodus (6) instellen op de stand **T1**.
- ◆ Als u in staal, hout of plastic wilt boren of schroeven wilt indraaien, stelt u de knop voor de gebruiksmodus (6) in op de stand **1**.

### Twee-versnellingschakelaar (fig. A)

- ◆ Als u in metaal wilt boren of wilt schroeven, draait u de tweeversnellingschakelaar(5) in positie 1 door de pijl (10) op één lijn te brengen met het getal 1 (eerste versnelling).
- ◆ Als u in materialen anders dan metaal wilt boren of wilt schroeven, draait u de tweeversnellingschakelaar(5) in positie 2 door de pijl (10) op één lijn te brengen met het getal 2 (tweede versnelling).

### De draairichting selecteren

Voor boren en het vastdraaien van schroeven, gebruikt u de voorwaartse draairichting (rechtsom). Voor het losdraaien van schroeven of het verwijderen van een vastgelopen boorbit, gebruikt u de tegengestelde draairichting (linksom).

- ◆ Als u vooruit draaien wilt selecteren, drukt u de schuifknop voor rechtsom/linksom (4) naar links.
- ◆ Als u achteruit draaien wilt selecteren, drukt u de schuifknop voor rechtsom/linksom naar rechts.

**Waarschuwing!** Verander de draairichting nooit terwijl de motor loopt.

### In- en uitschakelen

- ◆ U schakelt het gereedschap in door op de schakelaar met variabele snelheden (1) te drukken. De snelheid van het gereedschap hangt af van hoe ver u de schakelaar indrukt. Als het gereedschap een variabele snelheidsregelaarsknop(3) heeft, stelt u deze in op de gewenste snelheid. In het algemeen geldt dat u lage snelheden gebruikt voor boorbits met een grote diameter en hoge snelheden voor boorbits met een kleinere diameter.

- ◆ Druk de vergrendelingsknop (2) in en laat de schakelaar met variabele snelheden los om de continuustand te activeren. Deze optie is alleen beschikbaar op volle snelheid of op een snelheid die is aangegeven op de variabele snelheidsregelaarsknop (3). Deze optie werkt niet tijdens achteruit draaien.
- ◆ U schakelt het gereedschap uit door de schakelaar met variabele snelheden los te laten. Druk vanuit de continuustand nogmaals op de schakelaar met variabele snelheden en laat deze los om de continuustand te deactiveren.

### Accessoires

De prestaties van het gereedschap zijn afhankelijk van de gebruikte accessoires. Accessoires van Stanley Fat Max zijn ontworpen om aan hoge kwaliteitsnormen te voldoen en de prestaties van uw gereedschap te verhogen. In combinatie met deze accessoires kunt u uw gereedschap nog beter laten presteren.

### Onderhoud

Uw Stanley Fat Max-gereedschap/-apparaat (met netsnoer/snoerloos) is ontworpen om gedurende langere tijd te functioneren met een minimum aan onderhoud. U kunt het gereedschap naar volle tevredenheid blijven gebruiken als u voor correct onderhoud zorgt en het gereedschap regelmatig schoonmaakt.

**Waarschuwing!** Doe altijd het volgende voordat u onderhouds- of reinigingswerkzaamheden aan het gereedschap (met snoer/snoerloos) uitvoert.

- ◆ Schakel het gereedschap/apparaat uit en trek de stekker uit het stopcontact.
- ◆ Als het gereedschap/apparaat een afzonderlijke accu heeft, schakelt u het gereedschap/apparaat uit en haalt u de accu eruit.
- ◆ Als de accu is ingebouwd, laat u deze volledig ontladen. Schakel dan het apparaat uit.
- ◆ Neem de lader uit het stopcontact voordat u deze schoonmaakt. Naast regelmatige reiniging vereist de lader geen onderhoud.
- ◆ Reinig regelmatig de ventilatieopeningen van het gereedschap/apparaat/lader met een zachte borstel of droge doek.
- ◆ Reinig de behuizing van de motor regelmatig met een vochtige doek. Gebruik geen schuur- of oplosmiddel.
- ◆ Open regelmatig de spanknop en tik erop om eventueel stof uit het binnenste te verwijderen (indien van toepassing).

## Netstekker vervangen (alleen Verenigd Koninkrijk en Ierland)

Als er een nieuwe netstekker moet worden aangebracht:

- ◆ Gooi de oude stekker op verantwoorde wijze weg.
- ◆ Verbind de bruine draad met de spannings-/fasepool in de nieuwe stekker.
- ◆ Verbind de blauwe draad met de nul-/neutraalpool.

**Waarschuwing!** De aardepool hoeft niet te worden aangesloten. Volg de bevestigingsinstructies die met hoogwaardige stekkers worden meegeleverd. Aanbevolen zekering: 5 A.

## Milieu



Aparte inzameling. Dit product mag niet met normaal huishoudelijk afval worden weggegooid.

Mocht u op een dag constateren dat het Stanley Fat Max-product aan vervanging toe is of dat u het apparaat niet meer nodig hebt, gooi het product dan niet bij het restafval. Het product valt onder de categorie voor elektrische apparaten.



Gescheiden inzameling van gebruikte producten en verpakkingsmaterialen maakt het mogelijk materialen te recyclen en opnieuw te gebruiken. Hergebruik van gerecycleerde materialen zorgt voor minder milieuvervuiling en dringt de vraag naar grondstoffen terug.

Plaatselijke verordeningen kunnen voorzien in gescheiden inzameling van huishoudelijke elektrische producten via gemeentelijke stortplaatsen of via de leverancier bij wie u een nieuw product aanschaft.

Stanley Europe biedt de mogelijkheid tot het recyclen van afgedankte Stanley Fat Max-producten. Om gebruik te maken van deze service, dient u het product naar een van onze servicecentra te sturen, die de inzameling voor ons verzorgen.

U kunt het adres van het dichtstbijzijnde Stanley Europe-servicecentrum opvragen via de adressen op de achterzijde van deze handleiding. U kunt ook een lijst van Stanley Europe-servicecentra en meer informatie over onze klantenservice vinden op het volgende internetadres: [www.2helpU.com](http://www.2helpU.com)

## Technische gegevens

		FME142 (Type 1)
Ingangsspanning	$V_{AC}$	230
Opgenomen vermogen	W	850
Onbelast toerental	$\text{min}^{-1}$	0-1100 / 0-3100
Slagsnelheid	$\text{min}^{-1}$	0-18,700 / 0-52,700
<b>Max. boorvermogen</b>		
Beton	mm	18
Staal	mm	13
Hout	mm	50
Gewicht	kg	2,5

### Geluidsdruk niveau volgens EN 60745:

Geluidsdruk ( $L_{pA}$ ) 92 dB(A), meetonzekerheid (K) 3 dB(A)

Geluidsvermogen ( $L_{WA}$ ) 103 dB(A), meetonzekerheid (K) 3 dB(A)

### Totale trillingswaarden (som triaxvector) volgens EN 60745:

Met slagboor in beton boren ( $a_{nD}$ ) 11  $\text{m/s}^2$ , meetonzekerheid (K) 1.5  $\text{m/s}^2$

In metaal boren ( $a_{nD}$ ) 1.5  $\text{m/s}^2$ , meetonzekerheid (K) 1.5  $\text{m/s}^2$

**EG-conformiteitsverklaring**

MACHINERICHTLIJN



FME142 slagboormachine

Stanley Europe verklaart dat deze producten, die zijn beschreven bij "Technische gegevens", voldoen aan:

2006/42/EG, EN60745-1:2009+A11:2010, EN60745-2-1:2010

Deze producten voldoen tevens aan richtlijn 2014/30/EU en 2011/65/EU. Neem voor meer informatie contact op met Stanley Europe op het volgende adres of raadpleeg de achterzijde van de handleiding.

Neem voor meer informatie contact op met Stanley Europe op het volgende adres of raadpleeg de achterzijde van de handleiding.

Ondergetekende is verantwoordelijk voor de compilatie van het technische bestand en geeft deze verklaring namens Stanley Europe af.

R. Laverick  
Engineering Director  
Stanley Europe, Egide Walschaertsstraat14-18,  
2800 Mechelen, België  
28/02/2017

**Garantie**

Stanley Europe heeft vertrouwen in haar producten en biedt een uitstekende garantie voor professionele gebruikers van het product. Deze garantieverklaring is een aanvulling op, en vormt op geen enkele wijze een beperking van, uw contractuele rechten als private niet-professionele gebruiker. De garantie geldt in de lidstaten van de Europese Unie en de Europese Vrijhandelsassociatie.

**EEN JAAR VOLLEDIGE GARANTIE**

Als uw Stanley Fat Max-product binnen 12 maanden na aankoop defect raakt ten gevolge van materiaal- of constructiefouten, dan garandeert Stanley Europe de kosteloze vervanging van defecte onderdelen, de reparatie van het product of – naar eigen inzicht – de vervanging van het product, indien wordt voldaan aan de volgende voorwaarden:

- ◆ Het product is niet misbruikt en is gebruikt in naleving van de instructiehandleiding.
- ◆ Het product is blootgesteld aan redelijkerwijs te verwachten slijtage of gebruik;
- ◆ Er zijn geen reparaties of pogingen tot reparatie uitgevoerd door niet-geautoriseerde personen.
- ◆ Bewijs van aanschaf kan worden getoond.
- ◆ Het Stanley Fat Max product wordt compleet geretourneerd met alle originele onderdelen

Indien u een claim wilt indienen, neemt u contact op met uw verkooppunt, gaat u naar uw dichtstbijzijnde Stanley Fat Max-centrum (u vindt het adres in de Stanley Stanley Fat Max-catalogus) of neemt u contact op met de StanleyFat Max-vestiging waarvan het adres wordt vermeld in deze handleiding. Er is ook een lijst van Stanley Fat Max -servicecentra en meer informatie over onze klantenservice te vinden op het volgende internetadres:[www.stanley.eu/3](http://www.stanley.eu/3)



## Uso previsto

Su taladro de percusión FME142 Stanley Fat Max está diseñado para taladrar madera, metal, plásticos y mampostería, así como para atornillar. Esta herramienta está diseñada para profesionales y privados, los usuarios no profesionales.

## Instrucciones de seguridad

### Advertencias de seguridad generales para herramientas eléctricas



**¡Atención! Lea todas las advertencias e instrucciones de seguridad.** En caso de no atenderse a las siguientes advertencias e instrucciones de seguridad, podría producirse una descarga eléctrica, incendio o lesión grave.

**Guarde todas las advertencias e instrucciones para futuras consultas.** El término "herramienta eléctrica" empleado en las advertencias se refiere a la herramienta eléctrica con alimentación de red (con cable) o a la herramienta eléctrica alimentada por batería (sin cable).

#### 1. Seguridad del área de trabajo

- Mantenga limpia y bien iluminada el área de trabajo.** El desorden o una iluminación deficiente en las áreas de trabajo pueden provocar accidentes.
- No utilice la herramienta eléctrica en un entorno con peligro de explosión, en el que se encuentren líquidos, gases o material en polvo inflamables.** Las herramientas eléctricas producen chispas que pueden llegar a inflamar el polvo o los vapores.
- Cuando utilice la herramienta eléctrica, mantenga alejados a los niños y a otras personas del área de trabajo.** Una distracción le puede hacer perder el control sobre la herramienta.

#### 2. Seguridad eléctrica

- El enchufe de la herramienta eléctrica debe corresponder a la toma de corriente utilizada. No modifique el enchufe. No emplee adaptadores en herramientas eléctricas dotadas con toma de tierra.** Estas pautas le ayudarán a reducir el riesgo de descargas eléctricas.
- Evite tocar partes conectadas a tierra como tuberías, radiadores, cocinas y refrigeradores.** El riesgo de descarga eléctrica es mayor si el usuario entra en contacto con elementos conectados a tierra.
- No exponga las herramientas eléctricas a la lluvia y evite que penetren líquidos en su interior, ya que existe el peligro de recibir una descarga eléctrica.**

- Cuide el cable de alimentación. No lo utilice para transportar o colgar la herramienta eléctrica, ni tire de él para sacar el enchufe de la toma de corriente. Manténgalo alejado del calor, aceite, bordes afilados o piezas móviles.** Los cables de red dañados o enredados incrementan el riesgo de descarga eléctrica.
- Si trabaja con la herramienta eléctrica en el exterior, utilice solamente cables de prolongación homologados para uso en exteriores.** Esto le ayudará a reducir el riesgo de descarga eléctrica.
- Si la utilización de una herramienta eléctrica en un lugar húmedo es inevitable, utilice una fuente protegida con un dispositivo de corriente residual (RCD).** La utilización de un RCD reduce el riesgo de sufrir descargas eléctricas.

#### 3. Seguridad personal

- Esté atento a lo que hace y utilice la herramienta eléctrica con prudencia. No la use si está cansado, ni si se encuentra bajo los efectos del alcohol, drogas o medicamentos.** Si desatiende la herramienta, aunque sea durante unos instantes, puede haber riesgo de lesiones graves.
- Utilice material de protección personal. Utilice siempre gafas de protección.** El riesgo de lesiones se reduce considerablemente si se utiliza material de protección adecuado como una mascarilla antipolvo, zapatos de seguridad con suela antideslizante, casco o protectores auditivos.
- Impida que la herramienta se ponga en marcha accidentalmente. Asegúrese de que el interruptor de encendido/apagado se encuentre en la posición de apagado antes de conectar la herramienta a la fuente de alimentación o a la batería, o de coger o transportar la herramienta.** Transportar la herramienta eléctrica con el dedo sobre el interruptor o enchufarla con el interruptor encendido puede provocar accidentes.
- Retire las herramientas de ajuste o llaves fijas antes de conectar la herramienta eléctrica.** Una herramienta o llave colocada en una pieza giratoria de la herramienta puede producir lesiones al ponerse ésta en marcha.
- Sea precavido. Evite adoptar una posición que fatigue su cuerpo; mantenga un apoyo firme sobre el suelo y conserve el equilibrio en todo momento.** Ello le permitirá controlar mejor la herramienta eléctrica en caso de presentarse una situación inesperada.
- Vístase con la ropa adecuada. No lleve ropa holgada ni joyas. Aleje el pelo, la ropa y los guantes de las piezas móviles.** La ropa holgada, las joyas y el pelo largo se pueden enganchar con las piezas en movimiento.

- g. **Siempre que sea posible utilizar unos equipos de aspiración o captación de polvo, asegúrese de que éstos estén montados y que sean utilizados correctamente.** El empleo de estos equipos reduce los riesgos derivados del polvo.
4. **Uso y cuidado de herramientas eléctricas**
    - a. **No sobrecargue la herramienta eléctrica. Use la herramienta adecuada para cada aplicación.** Con la herramienta eléctrica adecuada podrá trabajar mejor y más seguro dentro del margen de potencia indicado.
    - b. **No utilice herramientas eléctricas con un interruptor defectuoso.** Las herramientas eléctricas que no se puedan conectar o desconectar son peligrosas y deben hacerse reparar.
    - c. **Desconecte de la herramienta eléctrica el enchufe de la fuente de alimentación y de la batería antes de realizar cualquier ajuste, cambiar accesorios o guardar la herramienta.** Esta medida preventiva reduce el riesgo de encender accidentalmente la herramienta eléctrica.
    - d. **Guarde las herramientas eléctricas fuera del alcance de los niños y de las personas que no estén familiarizadas con su uso.** Las herramientas eléctricas utilizadas por personas inexpertas son peligrosas.
    - e. **Cuide sus herramientas eléctricas con esmero. Controle si funcionan correctamente, sin atascarse, las partes móviles de la herramienta eléctrica, y si existen partes rotas o deterioradas que pudieran afectar al funcionamiento de la herramienta. Si la herramienta eléctrica estuviese defectuosa haga que la reparen antes de volver a utilizarla.** Muchos accidentes se deben a herramientas eléctricas con un mantenimiento deficiente.
    - f. **Mantenga las herramientas de corte limpias y afiladas.** Las herramientas de corte que se mantienen correctamente se dejan guiar y controlar mejor.
    - g. **Utilice la herramienta eléctrica, los accesorios, los útiles de la herramienta, etc. de acuerdo con estas instrucciones, y tenga en cuenta las condiciones de trabajo y la tarea a realizar.** El uso de herramientas eléctricas para trabajos diferentes de aquellos para los que han sido concebidas puede resultar peligroso.
  5. **Servicio técnico**
    - a. **Esta herramienta eléctrica sólo la puede reparar personal técnico autorizado que emplee exclusivamente piezas de repuesto originales.** Solamente así se garantiza la seguridad de la herramienta eléctrica.

## Advertencias de seguridad adicionales para herramientas eléctricas



¡Atención! Advertencias de seguridad adicionales para taladros y taladros de percusión

- ◆ **Utilice protectores para los oídos con los taladros de percusión.** La exposición al ruido puede provocar una pérdida de audición.
- ◆ **Utilice las empuñaduras auxiliares suministradas con la herramienta.** La pérdida de control puede provocar lesiones.
- ◆ **Sujete la herramienta eléctrica por la superficie de agarre protegida cuando realice una operación en la que el accesorio de corte pueda entrar en contacto con cableado oculto o con su propio cable.** El contacto del accesorio de corte con un cable conectado a la red eléctrica podría hacer que las partes metálicas de la herramienta transmitieran esa electricidad y producir una descarga al usuario
- ◆ No utilice nunca un accesorio de cincelado en modo giratorio. El accesorio se bloquearía en el material y giraría la broca.
- ◆ Utilice pinzas u otro método práctico para asegurar y sujetar la pieza de trabajo a una plataforma estable. Si sostiene la pieza con la mano o contra el cuerpo, ésta queda sujeta de manera inestable y existe la posibilidad de que pierda el control.
- ◆ Antes de perforar paredes, suelos o techos, compruebe la ubicación de cables y tuberías.
- ◆ Evite tocar la punta de una broca inmediatamente después de taladrar, ya que puede estar caliente.
- ◆ En este manual de instrucciones se describe el uso para el que se ha diseñado el aparato. La utilización de accesorios o la realización de operaciones con esta herramienta distintas de las recomendadas en este manual de instrucciones puede implicar un riesgo de lesiones o daños materiales.

## Seguridad de terceros

- ◆ Ninguna persona (incluyendo niños) con capacidades físicas, sensoriales o mentales disminuidas, o que carezca de experiencia y conocimientos, debe utilizar este aparato, salvo que haya recibido supervisión o formación con respecto al uso del aparato por parte de una persona responsable de su seguridad.
- ◆ Los niños deben vigilarse en todo momento para garantizar que el aparato no se toma como elemento de juego.

## Riesgos residuales.

El uso de esta herramienta puede producir riesgos residuales adicionales no incluidos en las advertencias de seguridad adjuntas. Estos riesgos se pueden generar por un uso incorrecto, demasiado prolongado, etc.

El cumplimiento de las normas de seguridad correspondientes y el uso de dispositivos de seguridad no evitan ciertos riesgos residuales. Estos riesgos incluyen:

- ◆ Lesiones producidas por el contacto con piezas móviles o giratorias.
- ◆ Lesiones producidas al cambiar cualquier pieza, cuchilla o accesorio.
- ◆ Lesiones producidas al usar una herramienta por un tiempo demasiado prolongado. Si utiliza una herramienta durante períodos de tiempo demasiado prolongados, asegúrese de realizar pausas con frecuencia.
- ◆ Discapacidad auditiva.
- ◆ Riesgos para la salud producidos al respirar el polvo que se genera al usar la herramienta (por ejemplo: en los trabajos con madera, especialmente de roble, haya y tableros de densidad mediana).

## Vibración

El valor de emisión de vibraciones declarado en el apartado de características técnicas y en la declaración de conformidad se ha calculado según un método de prueba estándar proporcionado por la norma EN 60745 y puede utilizarse para comparar una herramienta con otra. El valor de emisión de vibraciones especificado también podrá utilizarse en una evaluación preliminar de la exposición.

**¡Atención!** El valor de emisión de vibraciones durante el funcionamiento real de la herramienta eléctrica puede diferir del valor declarado en función de cómo se utilice dicha herramienta. El nivel de las vibraciones puede superar el indicado.

Al evaluar la exposición a las vibraciones con el fin de determinar las medidas de seguridad que exige la norma 2002/44/CE para proteger a las personas que utilizan periódicamente herramientas eléctricas en el entorno laboral, deberá tenerse en cuenta una estimación de la exposición a las vibraciones, las condiciones de uso reales y el modo de empleo de la herramienta, así como los pasos del ciclo operativo como, por ejemplo, el número de veces que la herramienta se apaga, el tiempo que está parada y el tiempo de activación.

## Etiquetas en la herramienta

Junto con el código de la fecha, en la herramienta aparecen los siguientes símbolos :



**¡Atención!** Para reducir el riesgo de lesiones, el usuario debe leer el manual de instrucciones.

## Seguridad eléctrica



Esta herramienta lleva un doble aislamiento; por lo tanto, no requiere una toma a tierra. Compruebe siempre que la tensión de la red corresponda con el valor indicado en la placa de datos de la herramienta.

- ◆ Si se dañara el cable de alimentación, deberá ser sustituido por el fabricante o un centro de asistencia técnica autorizado de Stanley Fat Max para evitar cualquier situación de riesgo.

## Características

Esta herramienta incluye una o más de las siguientes características.

1. Interruptor de velocidad variable
2. Botón de bloqueo
3. Selector de control de velocidad variable
4. Interruptor de avance/retroceso
5. Selector de dos marchas
6. Selector de modo de perforación
7. Portabrocas
8. Tope de profundidad
9. Empuñadura lateral

## Montaje

**¡Atención!** Antes de proceder al montaje, compruebe que la herramienta está apagada y desenchufada.

### Montaje de la empuñadura lateral y del tope de profundidad (fig. A)

- ◆ Gire el mango en sentido contrario al de las agujas del reloj hasta que pueda deslizarse la empuñadura lateral (9) hacia la parte frontal de la herramienta.
- ◆ Gire la empuñadura lateral hacia la posición que desee.
- ◆ Inserte el tope de profundidad (8) en el orificio de montaje tal y como se muestra.
- ◆ Ajuste la profundidad de perforación como se indica a continuación.
- ◆ Gire el mango en el sentido de las agujas del reloj para que la empuñadura lateral quede apretada.

### Ajuste de la profundidad de perforación (fig. A)

- ◆ Gire el mango en sentido contrario al de las agujas del reloj para aflojar la empuñadura lateral (9).
- ◆ Ajuste el tope de profundidad (8) en la posición que desee. La profundidad de perforación máxima es igual a la distancia entre la punta de la broca y el extremo frontal del tope de profundidad.
- ◆ Gire el mango en el sentido de las agujas del reloj para que la empuñadura lateral quede apretada.

## Montaje de un accesorio (fig. B)

- ◆ Gire la parte frontal (11) para abrir el portabrocas con una mano mientras sujeta la parte posterior (13) con la otra.
- ◆ Inserte el eje de la broca o punta de destornillador (12) en el portabrocas y apriételo firmemente.

## Uso

**¡Atención!** Deje que la herramienta funcione a su ritmo. No la sobrecargue.

**¡Atención!** Antes de perforar paredes, suelos o techos, compruebe la ubicación de cables y tuberías.

## Selección del modo de perforación

- ◆ Para perforar a percusión la mampostería y el hormigón, ajuste el selector de modo de funcionamiento (6) en la posición **T1** position
- ◆ Para perforar acero, madera y plásticos, ajuste el selector de modo de funcionamiento (6) en la posición **1**.

## Selector de dos marchas (fig. A)

- ◆ Para perforar acero y para atornillar, gire el selector de dos marchas (5) hacia la posición 1, para ello, alinee la flecha (10) con el número 1 (1.ª marcha).
- ◆ Para perforar materiales que no sean acero, gire el selector de dos marchas (5) hacia la posición 2, para ello, alinee la flecha (10) con el número 2 (2.ª marcha).

## Selección de la dirección de rotación

Para perforar y apretar tornillos, utilice la rotación hacia delante (en el sentido de las agujas del reloj). Para aflojar tornillos o extraer una broca atascada, utilice la rotación de retroceso (en sentido contrario al de las agujas del reloj).

- ◆ Para seleccionar la rotación hacia delante, empuje el control deslizante de avance/retroceso (4) hacia la izquierda.
- ◆ Para seleccionar la rotación de retroceso, empuje el control deslizante de avance/retroceso hacia la derecha.

**¡Atención!** No cambie nunca la dirección de la rotación mientras el motor esté en marcha.

## Encendido y apagado

- ◆ Para encender la herramienta, pulse el interruptor de velocidad variable (1). La velocidad de la herramienta depende de la presión que aplique al interruptor. Si la herramienta dispone de un selector de control de velocidad variable (3), ajústelo en el rango de velocidad adecuada. Como norma general, utilice niveles de velocidad reducidos con las brocas de gran diámetro y velocidades superiores con las brocas de diámetro más pequeño.

- ◆ Para un funcionamiento continuo, pulse el botón de bloqueo (2) y suelte el interruptor de velocidad variable. Esta opción solamente está disponible a velocidad máxima o a cualquier velocidad predeterminada con el selector de control de velocidad variable (3). Esta opción no funciona con la rotación de retroceso.
- ◆ Para apagar la herramienta, suelte el interruptor de velocidad variable. Para apagar la herramienta mientras esté activado el funcionamiento continuo, vuelva a pulsar el interruptor de velocidad variable y suéltelo.

## Accesorios

El rendimiento de la herramienta depende de los accesorios que utilice. Los accesorios Stanley Fat Max se han fabricado siguiendo estándares de alta calidad y se han diseñado para mejorar el funcionamiento de la herramienta. Si utiliza estos accesorios, conseguirá el máximo rendimiento de la herramienta.

## Mantenimiento

Este aparato o herramienta con o sin cable de Stanley Fat Max se ha diseñado para que funcione durante un largo período de tiempo con un mantenimiento mínimo. El funcionamiento satisfactorio continuado depende de un cuidado apropiado y una limpieza periódica de la herramienta.

**¡Atención!** Antes de realizar el mantenimiento de herramientas eléctricas con o sin cables:

- ◆ Apague y desenchufe el aparato o herramienta.
- ◆ O bien, apague y extraiga las pilas o la batería del aparato o herramienta, en caso de que disponga de una batería separada.
- ◆ O bien, deje que la batería se agote por completo si es integral y, a continuación, apague el aparato.
- ◆ Desenchufe el cargador antes de limpiarlo. El cargador no requiere ningún mantenimiento especial excepto la limpieza periódica.
- ◆ Limpie periódicamente las ranuras de ventilación de la herramienta, aparato o cargador con un cepillo suave o un paño seco.
- ◆ Limpie periódicamente la carcasa del motor con un paño húmedo. No utilice limpiadores de base abrasiva o disolventes.
- ◆ Abra regularmente el portabrocas y golpéelo suavemente para eliminar los restos de polvo que haya en su interior (si se encuentra colocado).

## Sustitución del enchufe de la red eléctrica (sólo para el Reino Unido e Irlanda)

Si es necesario colocar un nuevo enchufe para la red eléctrica:

- ◆ Deseche el enchufe anterior según las normas de seguridad.

- ◆ Conecte el cable marrón al terminal conductor del nuevo enchufe.
- ◆ Conecte el cable azul al terminal neutro.

**¡Atención!** No se debe realizar ninguna conexión al terminal de conexión a tierra. Siga las instrucciones de montaje que se suministran con los enchufes de buena calidad. Fusible recomendado: 5 A.

## Protección del medio ambiente



Recogida selectiva. No se debe desechar este producto con el resto de residuos domésticos.

Si llegase el momento en que fuese necesario sustituir su producto Stanley Fat Max o si este dejase de tener utilidad para usted, no lo deseche junto con los residuos domésticos. Sepárelo para su recogida selectiva.



La recogida selectiva de productos y embalajes usados permite el reciclaje de materiales y su reutilización.

La reutilización de materiales reciclados contribuye a evitar la contaminación medioambiental y reduce la demanda de materias primas.

Las normativas municipales deben ofrecer la recogida selectiva de productos eléctricos del hogar en puntos municipales previstos para tal fin o a través del distribuidor cuando adquiera un nuevo producto.

Stanley Europe proporciona facilidades para la recogida y reciclado de los productos Stanley Fat Max que han llegado al final de su vida útil. Para poder utilizar este servicio, le rogamos que entregue el producto a cualquier agente de servicio técnico autorizado para que se haga cargo de él en nuestro nombre.

Puede consultar la dirección de su agente de servicio técnico más cercano si se pone en contacto con la oficina local de Stanley Europe en la dirección que se indica en este manual. Como alternativa puede consultar la lista de servicios técnicos autorizados de Stanley Europe y obtener la información completa de nuestros servicios de posventa y los contactos disponibles en la siguiente dirección de Internet: [www.2helpU.com](http://www.2helpU.com)

## Ficha técnica

FME142 (Tipo 1)		
Voltaje de entrada	$V_{AC}$	230
Potencia de entrada	W	850
Velocidad sin carga	$\text{min}^{-1}$	0-1100 / 0-3100
Índice de impactos	$\text{min}^{-1}$	0-18,700 / 0-52,700
Capacidad máxima de perforación		
Hormigón	mm	18
Acero	mm	13
Madera	mm	50
Peso	kg	2.5

### Nivel de presión acústica de acuerdo con la directiva EN 60745:

Presión acústica ( $L_{pA}$ ) 92 dB (A), incertidumbre (K) 3 dB (A)

Potencia acústica ( $L_{WA}$ ) 103 dB (A), incertidumbre (K) 3 dB (A)

### Valores totales de vibración (suma vectorial triaxial) de acuerdo con la directiva EN 60745:

Perforación de hormigón con impacto ( $a_{h, ID}$ ) 11  $\text{m/s}^2$ , incertidumbre (K) 1.5  $\text{m/s}^2$

Perforación en metal ( $a_{h, ID}$ ) 1.5  $\text{m/s}^2$ , incertidumbre (K) 1.5  $\text{m/s}^2$

**Declaración de conformidad de la CE**

DIRECTIVA DE MAQUINARIAS



FME142 taladro de percusión

Stanley Europe declara que los productos descritos en la "ficha técnica" cumplen con las siguientes directrices: 2006/42/CE, EN60745-1:2009+A11:2010, EN60745-2-1:2010

Estos productos también cumplen con las Directivas 2014/30/EU y 2011/65/UE. Si desea obtener más información, póngase en contacto con Stanley Europe a través de la siguiente dirección o consulte el dorso del manual.

Si desea obtener más información, póngase en contacto con Stanley Europe a través de la siguiente dirección o consulte el dorso del manual.

La persona que firma a continuación es responsable de la elaboración del archivo técnico y realiza esta declaración en nombre de Stanley Europe.

R. Laverick  
Engineering Director  
Stanley Europe, Egide Walschaertsstraat 14-18,  
2800 Mechelen, Bélgica  
28/02/2017

**Garantía**

Stanley Europe confía plenamente en la calidad de sus productos y ofrece una garantía extraordinaria destinada a usuarios profesionales del producto. Esta declaración de garantía es un añadido y en ningún caso un perjuicio a sus derechos legales como usuario no profesional privado. La garantía es válida dentro de los territorios de los Estados miembros de la Unión Europea y de los de la Zona Europea de Libre Comercio.

**UN AÑO DE GARANTÍA TOTAL**

Si un producto Stanley Fat Max resultara defectuoso debido a materiales o mano de obra defectuosos, Stanley Europe garantiza, dentro de los 12 meses de la fecha de compra, la sustitución de las piezas defectuosas sin cargo alguno o, según nuestro criterio, la sustitución de la unidad sin cargo alguno siempre que:

- ◆ El producto no se ha sometido a un uso inadecuado o se ha utilizado de acuerdo con este manual de instrucciones.
- ◆ El producto se ha sometido a un desgaste y rotura razonables.
- ◆ Personal no autorizado no ha intentado reparar el producto.
- ◆ Se aporta prueba de compra.
- ◆ Se devuelve el producto Stanley Fat Max completo con todos los componentes originales.

Si desea realizar una reclamación, póngase en contacto con su vendedor o consulte la dirección de su servicio técnico especializado autorizado de Stanley Fat Max más cercano que aparece en el catálogo de Stanley Fat Max o póngase en contacto con la oficina de Stanley en la dirección que se indica en este manual. Puede consultar la lista de servicios técnicos autorizados de Stanley Fat Max y obtener la información completa de nuestros servicios de posventa disponibles en la siguiente dirección de Internet: [www.stanley.eu/3](http://www.stanley.eu/3)

## Utilização prevista

O seu berbequim de percussão FME142 Stanley Fat Max foi concebido para perfurar madeira, metal, plástico e pedra, bem como para servir de chave de fenda. Esta ferramenta destina-se a profissionais e privadas, usuários não-profissionais.

## Instruções de segurança

### Avisos de segurança gerais para ferramentas eléctricas



**Atenção! Leia com atenção todos os avisos de segurança e instruções.** O não cumprimento dos seguintes avisos e instruções pode resultar em choque eléctrico, incêndio e/ou graves lesões.

**Guarde todos os avisos e instruções para futura referência.** A expressão "ferramenta eléctrica" utilizada nos avisos refere-se à sua ferramenta eléctrica com ligação à corrente eléctrica (com cabo) ou com bateria (sem fios).

#### 1. Segurança na área de trabalho

- Mantenha a área de trabalho limpa e bem iluminada.** Áreas desarrumadas ou mal iluminadas são propícias a acidentes.
- Não trabalhe com ferramentas eléctricas em áreas com risco de explosão, nas quais se encontrem líquidos, gases ou poeiras inflamáveis.** As ferramentas eléctricas produzem faíscas que podem provocar a ignição de poeiras ou vapores.
- Mantenha crianças e outras pessoas afastadas durante a utilização da ferramenta eléctrica.** As distrações podem dar origem a que perca o controlo da ferramenta.

#### 2. Segurança eléctrica

- A ficha da ferramenta eléctrica deve caber na tomada. A ficha não deve ser modificada de modo algum. Não utilize quaisquer fichas adaptadoras em ferramentas eléctricas com ligação à terra.** Fichas sem modificações e tomadas adequadas reduzem o risco de choques eléctricos.
- Evite que o corpo entre em contacto com superfícies ligadas à terra, como tubos, radiadores, fogões e frigoríficos.** Existe um maior risco de choque eléctrico se o seu corpo estiver ligado à terra.
- As ferramentas eléctricas não podem ser expostas a chuva nem humidade.** A penetração de água na ferramenta eléctrica aumenta o risco de choques eléctricos.

- Manuseie o cabo com cuidado. O cabo não deve ser utilizado para transportar ou pendurar a ferramenta, nem para puxar a ficha da tomada. Mantenha o cabo afastado de calor, óleo, pontas afiadas ou partes móveis.** Cabos danificados ou torcidos aumentam o risco de choques eléctricos.
- Quando trabalhar com uma ferramenta eléctrica ao ar livre, utilize um cabo de extensão apropriado para esse fim.** A utilização de um cabo apropriado para áreas ao ar livre reduz o risco de choques eléctricos.
- Se for inevitável trabalhar com uma ferramenta eléctrica num local húmido, utilize um Dispositivo de Corrente Residual (RCD).** A utilização de um RCD reduz o risco de choque eléctrico.

#### 3. Segurança pessoal

- Mantenha-se atento, observe o que está a fazer e seja prudente ao trabalhar com a ferramenta eléctrica. Não utilize uma ferramenta eléctrica se estiver cansado ou sob a influência de drogas, álcool ou medicamentos.** Um momento de falta de atenção durante a utilização de ferramentas eléctricas poderá causar graves lesões.
- Utilize equipamento de protecção pessoal. Use sempre óculos de protecção.** Equipamento de protecção como, por exemplo, máscara anti-poeiras, sapatos de segurança anti-derrapantes, capacete de segurança ou protecção auricular, de acordo com o tipo e a aplicação de ferramenta eléctrica, reduz o risco de lesões.
- Evite arranques involuntários. Certifique-se de que o botão está desligado antes de ligar a ferramenta à corrente eléctrica e/ou à bateria, e antes de pegar ou transportar a ferramenta.** Transportar ferramentas eléctricas com o dedo no botão ou ligar ferramentas eléctricas à tomada com o interruptor na posição de ligado pode dar origem a acidentes.
- Retire eventuais chaves de ajuste ou chaves de fenda antes de ligar a ferramenta eléctrica.** Uma chave de fenda ou chave de ajuste que se encontre numa peça em rotação da ferramenta eléctrica poderá causar lesões.
- Não se incline. Mantenha-se sempre bem posicionado e em equilíbrio.** Desta forma, será mais fácil controlar a ferramenta eléctrica em situações inesperadas.
- Utilize vestuário adequado. Não utilize roupas largas nem jóias. Mantenha o cabelo, roupa e luvas afastados de peças em movimento.** Roupas largas, jóias ou cabelos longos podem ficar presos nas peças em movimento.
- Se for prevista a montagem de dispositivos de extracção e recolha de pó, assegure-se de que estão ligados e que são utilizados de forma correcta.** A recolha das poeiras pode reduzir os riscos provocados por poeiras.



4. **Utilização e manutenção da ferramenta eléctrica**
  - a. **Não sobrecarregue a ferramenta eléctrica. Utilize a ferramenta eléctrica adequada para o trabalho pretendido.** A ferramenta eléctrica correcta realizará o trabalho de forma melhor e mais segura, com a potência com que foi concebida.
  - b. **Não utilize a ferramenta eléctrica se o interruptor não puder ser ligado nem desligado.** Qualquer ferramenta eléctrica que não possa ser controlada com o interruptor é perigosa e terá de ser reparada.
  - c. **Desligue a ficha da tomada e/ou a bateria da tomada antes de proceder a ajustes, trocar acessórios ou guardar ferramentas eléctricas.** Estas medidas de prevenção de segurança reduzem o risco de ligação inadvertida da ferramenta eléctrica.
  - d. **Mantenha as ferramentas eléctricas que não estiverem a ser utilizadas fora do alcance de crianças. Não permita que a ferramenta eléctrica seja utilizada por pessoas não familiarizadas com a mesma ou que não tenham lido estas instruções.** As ferramentas eléctricas são perigosas se utilizadas por pessoas não qualificadas.
  - e. **Efectue a manutenção das ferramentas eléctricas. Verifique se as partes móveis estão desalinhasadas ou bloqueadas, se existem peças partidas ou qualquer outra situação que possa afectar o funcionamento das ferramentas eléctricas. As peças danificadas devem ser reparadas antes da utilização da ferramenta eléctrica.** Muitos acidentes têm como causa uma manutenção insuficiente das ferramentas eléctricas.
  - f. **Mantenha as ferramentas de corte sempre afiadas e limpas.** As ferramentas de corte com a manutenção adequada e extremidades afiadas bloqueiam com menos frequência e são mais fáceis de controlar.
  - g. **Utilize a ferramenta eléctrica, acessórios e peças de ferramenta de acordo com estas instruções, considerando as condições de trabalho e a tarefa a ser executada.** A utilização da ferramenta eléctrica para fins diferentes dos previstos pode resultar em situações perigosas.
5. **Reparação**
  - a. **A sua ferramenta eléctrica só deve ser reparada por pessoal qualificado e só devem ser colocadas peças sobressalentes originais.** Isso garante a manutenção da segurança da ferramenta eléctrica.

- ◆ **Utilize protecção auditiva com berbequins de percussão.** A exposição a ruídos pode causar perdas auditivas.
- ◆ **Utilize o punho auxiliar fornecido com a ferramenta.** A perda de controlo pode provocar ferimentos.
- ◆ **Segure a ferramenta eléctrica pelas áreas isoladas quando executar uma operação em que o acessório de corte possa entrar em contacto com a cablagem oculta ou o seu próprio cabo.** Cortar um acessório em contacto com um cabo "electrificado" poderá expor peças metálicas do sistema eléctrico da ferramenta e provocar um choque eléctrico ao operador
- ◆ Nunca utilize um acessório de biselagem no modo rotativo. O acessório irá bloquear o material e fazer rodar a broca.
- ◆ Utilize grampos ou outro meio para fixar e apoiar a peça numa plataforma estável. Se fixar a peça com a mão ou contra o corpo, a peça fica instável e pode dar origem à perda de controlo.
- ◆ Antes de perfurar paredes, tectos ou chãos, verifique a localização de cablagem e tubos.
- ◆ Evite tocar na ponta de uma broca logo após a perfuração, uma vez que esta poderá estar quente.
- ◆ A utilização prevista para este aparelho está descrita no manual de instruções. A utilização de qualquer acessório ou a realização de qualquer operação com esta ferramenta que não se inclua no presente manual de instruções poderá representar um risco de ferimentos e/ou danos materiais.

### Segurança de terceiros

- ◆ Este aparelho não deve ser utilizado por pessoas (incluindo crianças) que apresentem capacidades físicas, sensoriais ou mentais reduzidas ou que não possuam os conhecimentos e a experiência necessários, excepto se forem vigiadas e instruídas acerca da utilização do aparelho por uma pessoa responsável pela sua segurança.
- ◆ As crianças deverão ser vigiadas para que não mexam no aparelho.

### Riscos residuais.

Podem surgir riscos residuais adicionais durante a utilização da ferramenta que poderão não constar nos avisos de segurança incluídos. Estes riscos podem resultar de má utilização, uso prolongado, etc.

Mesmo com a aplicação dos regulamentos de segurança relevantes e com a implementação de dispositivos de segurança, alguns riscos residuais não podem ser evitados. Incluem:

- ◆ ferimentos causados pelo contacto com peças em rotação/movimento.
- ◆ ferimentos causados durante a troca de peças, lâminas ou acessórios.

### Avisos de segurança adicionais para ferramentas eléctricas



**Atenção!** Avisos de segurança adicionais para berbequins e berbequins de percussão



- ◆ ferimentos causados pela utilização prolongada de uma ferramenta. Quando utilizar uma ferramenta por períodos prolongados, faça intervalos regulares.
- ◆ Diminuição da audição.
- ◆ Os problemas de saúde causados pela inalação de poeiras resultantes da utilização da ferramenta (exemplo: trabalhos em madeira, especialmente carvalho, faia e MDF).

### Vibração

Os valores de emissão de vibração declarados na secção de dados técnicos e na declaração de conformidade foram medidos de acordo com o método de teste padrão fornecido pela norma EN 60745 e podem ser utilizados para comparar ferramentas. O valor de emissão de vibração declarado pode ainda ser utilizado numa avaliação preliminar de exposição.

**Atenção!** O valor de emissão de vibração durante a utilização real da ferramenta eléctrica pode ser diferente do valor declarado, dependendo da forma como a ferramenta é utilizada. O nível de vibração pode aumentar acima do nível indicado.

Quando avaliar a exposição da vibração para determinar as medidas de segurança exigidas pela norma 2002/44/CE para proteger pessoas que utilizem regularmente ferramentas eléctricas na sua actividade profissional, deve ser considerada uma estimativa de exposição de vibração, as actuais condições de utilização e o modo de utilização da ferramenta, incluindo ainda todas as partes do ciclo de funcionamento, como os períodos de inactividade e espera da ferramenta, para além do tempo de funcionamento.

### Rótulos na ferramenta

A ferramenta apresenta os seguintes símbolos de aviso juntamente com o código de data:



**Atenção!** Para reduzir o risco de ferimentos, o utilizador deve ler o manual de instruções.

### Segurança eléctrica



Esta ferramenta tem um isolamento duplo e, por isso, não é necessário um fio de terra. Verifique sempre se a fonte de alimentação corresponde à tensão indicada na placa de especificações.

- ◆ Se o cabo de alimentação estiver danificado, terá de ser substituído pelo fabricante ou por um centro de assistência autorizado Stanley Fat Max para evitar acidentes.

### Componentes

Esta ferramenta inclui alguns ou todos os seguintes componentes.

1. Interruptor de velocidade variável
2. Botão de bloqueio
3. Interruptor de controlo de velocidade variável
4. Interruptor para a frente/para trás
5. Selector de duas posições
6. Selector de modo de perfuração
7. Mandril
8. Batente de profundidade
9. Punho lateral

### Montagem

**Atenção!** Antes da montagem, certifique-se de que a ferramenta está desligada e que não está ligada à corrente eléctrica.

### Ajustar o punho lateral e o batente de profundidade (fig. A)

- ◆ Rode o manípulo no sentido oposto aos ponteiros do relógio até conseguir fazer deslizar o punho lateral (9) para a frente da ferramenta.
- ◆ Rode o punho lateral para a posição pretendida.
- ◆ Introduza o batente de profundidade (8) no orifício de inserção, tal como mostrado.
- ◆ Ajuste a profundidade de perfuração, conforme descrito abaixo.
- ◆ Aperte o punho lateral, rodando o manípulo no sentido dos ponteiros do relógio.

### Ajustar a profundidade de perfuração (fig. A)

- ◆ Desaparafuse o punho lateral (9) rodando o manípulo no sentido oposto aos ponteiros do relógio.
- ◆ Ajuste o batente de profundidade (8) para a posição pretendida. A profundidade de perfuração máxima é igual à distância entre a ponta da broca e a parte da frente do batente de profundidade.
- ◆ Aperte o punho lateral, rodando o manípulo no sentido dos ponteiros do relógio.

### Montar um acessório (fig. B)

- ◆ Abra o mandril rodando a parte da frente (11) com uma mão enquanto segura na parte de trás (13) com a outra.
- ◆ Coloque o veio de pontas (12) no mandril e aperte firmemente o mandril.

## Utilização

**Atenção!** Deixe a ferramenta funcionar ao seu próprio ritmo. Não a sobrecarregue.

**Atenção!** Antes de perfurar paredes, tectos ou chãos, verifique a localização de cablagem e tubos.

## Seleccionar o modo de perfuração

- ◆ Para perfurar pedra e betão, coloque o selector de modo de perfuração (6) na **T1** posição
- ◆ Para perfurar aço, madeira e plástico, coloque o selector do modo de funcionamento (6) na **1** posição.

## Selector de duas posições (fig. A)

- ◆ Para perfurar aço e para aparafusar, rode o selector de duas posições (5) para a posição 1, alinhando a seta (10) com o número 1 (1ª posição).
- ◆ Para perfurar outros materiais diferentes do aço, rode o selector de duas posições (5) para a posição 2, alinhando a seta (10) com o número 2 (2ª posição).

## Seleccionar a direcção de rotação

Para perfuração e para apertar parafusos, utilize a rotação para a frente (no sentido dos ponteiros do relógio). Para desparafusar ou remover uma broca encravada, utilize a rotação para trás (no sentido contrário ao dos ponteiros do relógio).

- ◆ Para seleccionar a rotação para a frente, empurre a patilha para a frente/para trás (4) para a posição da esquerda.
- ◆ Para seleccionar a rotação para trás, pressione a patilha para a frente/para trás para a direita.

**Atenção!** Nunca mude a direcção de rotação enquanto o motor estiver a funcionar.

## Ligar e desligar

- ◆ Para ligar a ferramenta, prima o interruptor de velocidade variável (1). A velocidade da ferramenta depende de como pressiona o interruptor. Se a ferramenta tiver um interruptor de controlo de velocidade variável (3), defina-o para a gama de velocidades pretendida. Em regra geral, utilize velocidades baixas para brocas de diâmetros superiores e velocidades altas para brocas de diâmetros inferiores.
- ◆ Para um funcionamento contínuo, prima o botão de bloqueio (2) e solte o interruptor de velocidade variável. Esta opção só está disponível em velocidade máxima ou em qualquer velocidade predefinida através do interruptor de controlo de velocidade variável (3). Esta opção não funciona na rotação para trás.
- ◆ Para desligar a ferramenta, solte o interruptor de velocidade variável. Para desligar a ferramenta quando estiver a executar uma operação contínua, prima o interruptor de velocidade variável mais uma vez e solte-o.

## Acessórios

O desempenho da ferramenta depende do acessório utilizado. Os acessórios Stanley Fat Max são construídos sob normas de alta qualidade e concebidos para melhorar o desempenho da ferramenta. Ao utilizar estes acessórios, obterá o melhor desempenho da sua ferramenta.

## Manutenção

O seu aparelho/ferramenta Stanley Fat Max com/sem fios foi concebido para funcionar durante um longo período de tempo com uma manutenção mínima. Um funcionamento contínuo e satisfatório depende de uma manutenção adequada e da limpeza regular da ferramenta.

**Atenção!** Antes de proceder a qualquer acção de manutenção em ferramentas eléctricas com cabo/sem fios:

- ◆ Desligue o aparelho/ferramenta e retire a respectiva ficha da tomada.
- ◆ Ou desligue e remova a bateria do aparelho/ferramenta caso o aparelho/ferramenta tenha uma bateria individual.
- ◆ Ou deixe a bateria descarregar completamente se estiver incorporada e, em seguida, desligue-a.
- ◆ Desligue o carregador antes de o limpar. O seu carregador não necessita de manutenção para além da limpeza regular.
- ◆ Limpe regularmente as aberturas de ventilação do aparelho/ferramenta/carregador com uma escova suave ou um pano seco.
- ◆ Limpe regularmente o compartimento do motor com um pano húmido. Não utilize nenhum produto de limpeza abrasivo ou a base de solvente.
- ◆ Abra o mandril regularmente e bata no mesmo para remover qualquer vestígio de pó do seu interior (quando colocado).

## Substituição da ficha de alimentação (apenas Reino Unido e Irlanda)

Se for necessário encaixar uma nova ficha de alimentação:

- ◆ Elimine com segurança a ficha antiga.
- ◆ Ligue o cabo castanho ao terminal electricificado na nova ficha.
- ◆ Ligue o cabo azul ao terminal neutro.

**Atenção!** Não é necessário efectuar qualquer ligação ao terminal de terra. Siga as instruções de montagem fornecidas com fichas de boa qualidade. Fusível recomendado: 5 A.

## Protecção do ambiente



Recolha separada. Este produto não pode ser eliminado juntamente com os resíduos domésticos normais.

Se, em algum momento, for necessário substituir este produto Stanley Fat Max ou se este deixar de ter utilidade, não elimine o produto num caixote do lixo. Este produto pode ser separado para reciclagem.



A recolha separada de produtos e embalagens usados permite que os materiais sejam reciclados e reutilizados.

A reutilização de materiais reciclados ajuda a evitar a poluição ambiental e reduz a procura de matérias-primas.

A legislação local poderá prever a recolha separada de produtos domésticos eléctricos, seja em lixeiras municipais ou através do revendedor quando adquire um produto novo.

A Stanley Europe dispõe de instalações para recolha e reciclagem de produtos Stanley Fat Max quando estes atingem o fim da vida útil. Para usufruir deste serviço, devolva o produto em qualquer agente de reparação autorizado, que os recolherá em seu nome.

Pode verificar a localização do agente de reparação autorizado mais perto de si, contactando os escritórios locais da Stanley Europe através do endereço indicado neste manual. Se preferir, pode encontrar na Internet uma lista de agentes de manutenção autorizados Stanley Europe, detalhes completos e contactos do serviço pós-venda, no endereço: [www.2helpU.com](http://www.2helpU.com)

## Dados técnicos

FME142 (Tipo 1)		
Tensão de entrada	$V_{AC}$	230
Potência utilizada	W	850
Velocidade sem carga	$\text{min.}^{-1}$	0-1100 / 0-3100
Níveis de percussão	$\text{min.}^{-1}$	0-18,700 / 0-52,700
Capacidade máx. de perfuração		
Betão	mm	18
Aço	mm	13
Madeira	mm	50
Peso	kg	2,5

### Nível de pressão acústica de acordo com EN 60745:

Pressão acústica ( $L_{pA}$ ) 92 dB(A), imprecisão (K) 3 dB(A)

Potência acústica ( $L_{WA}$ ) 103 dB(A), imprecisão (K) 3 dB(A)

### Valores totais de vibração (soma de vectores triax) de acordo com EN 60745:

Perfurar com percussão em betão ( $a_{h,D}$ ) 11  $\text{m/s}^2$ , imprecisão (K) 1.5  $\text{m/s}^2$

Perfurar em metal ( $a_{h,D}$ ) 1.3  $\text{m/s}^2$ , imprecisão (K) 1.5  $\text{m/s}^2$

**Declaração de conformidade CE**

DIRECTIVA PARA MÁQUINAS



FME142 berbequim de percussão

A Stanley Europe declara que os produtos descritos em "dados técnicos" estão em conformidade com as seguintes normas:

2006/42/CE, EN60745-1:2009+A11:2010, EN60745-2-1:2010

Estes produtos estão também em conformidade com a Directiva 2014/30/EU e 2011/65/UE. Para obter mais informações, contacte a Stanley Europe no endereço indicado ou consulte a parte posterior do manual.

Para obter mais informações, contacte a Stanley Europe no endereço indicado ou consulte a parte posterior do manual.

O signatário é responsável pela compilação do ficheiro técnico e efectua esta declaração em nome da Stanley Europe.

R. Laverick  
Engineering Director  
Stanley Europe, Egide Walschaertsstraat14-18,  
2800 Mechelen, Bélgica  
28/02/2017

**Garantia**

A Stanley Europe confia na qualidade dos seus produtos e oferece uma garantia excelente a utilizadores profissionais do produto. Esta declaração de garantia é um complemento dos seus direitos contratuais como utilizador privado não profissional, não os prejudicando de forma alguma. A garantia é válida nos territórios dos Estados Membros da União Europeia e da Associação Europeia de Comércio Livre.

**GARANTIA TOTAL DE UM ANO**

Se o seu produto Stanley Fat Max avariar devido a defeitos de material ou fabrico, num período de 12 meses após a data da compra, a Stanley Europe garante a substituição das peças defeituosas sem qualquer encargo ou – se assim o entendermos – a substituição da unidade sem encargos, desde que:

- ◆ O produto não tenha sido alvo de utilização indevida e tenha sido utilizado em conformidade com o manual de instruções.
- ◆ O produto tenha sido sujeito a um desgaste aceitável;
- ◆ Não tenham sido tentadas reparações por pessoas não autorizadas;
- ◆ Seja apresentada prova de compra.
- ◆ O produto Stanley Fat Max seja devolvido com todos os componentes originais

Se pretender fazer uma reclamação, contacte o seu vendedor ou verifique a localização do agente de manutenção autorizado Stanley Fat Max mais perto de si no catálogo Stanley Fat Max ou contacte os escritórios locais da Stanley no endereço indicado neste manual. Pode encontrar na Internet uma lista de agentes de manutenção autorizados Stanley Fat Max e detalhes completos do serviço pós-venda, no endereço: [www.stanley.eu/3](http://www.stanley.eu/3)

## Användningsområde

Denna Stanley Fat Max-slagborrmaskin FME142 är avsedd för borring i trä, metall, plast och murverk samt för skruvdragning. Detta verktyg avsett för professionella och privata, icke profes-sionella användare.

## Säkerhetsföreskrifter

### Allmänna säkerhetsanvisningar för elverktyg



**Varning! Läs alla säkerhetsföreskrifter och alla anvisningar.** Fel som uppstår till följd av att säkerhetsföreskrifterna och anvisningarna nedan inte följts kan orsaka elstöt, brand och/eller allvariga kroppsskador.

**Spara alla säkerhetsföreskrifter och anvisningar för framtida bruk.** Begreppet "elverktyg" som använts i alla varningar syftar på nätdrivna elverktyg (med nätsladd) eller batteridrivna (utan nätsladd).

1. **Säkerhet i arbetsområdet**
  - a. **Håll arbetsplatsen ren och väl upplyst.** Oreda eller dålig belysning på arbetsplatsen kan leda till olyckor.
  - b. **För att undvika explosionsrisk bör du inte använda elverktyget i omgivningar med brännbara vätskor, gaser eller damm.** Elverktyg alstrar gnistor som kan antända dammet eller gaserna.
  - c. **Håll barn och andra personer på betryggande avstånd när du använder elverktyg.** Om du blir distraherad kan du förlora kontrollen.
2. **Elsäkerhet**
  - a. **Elverktygets stickkontakt måste passa i eluttaget.** Stickkontakten får absolut inte ändras. Använd inte adapterkontakter tillsammans med jordade elverktyg. Med oförändrade stickkontakter och passande vägguttag minskas risken för elstöt.
  - b. **Undvik kroppskontakt med jordade ytor som t.ex. rör, värmeelement, spisar och kylskåp.** Risken för elektriska stötter ökar om din kropp är jordad.
  - c. **Skydda elverktyget mot regn och väta.** Om vatten tränger in i ett elverktyg ökar risken för elektriska stötter.
  - d. **Hantera inte nätsladden ovarsamt. Använd inte sladden för att bära eller dra elverktyget och inte heller för att dra ut kontakten ur vägguttaget.** Håll nätsladden borta från värme, olja, skarpa kanter och rörliga maskindelar. Risken att du får en elstöt är större om sladdarna är skadade eller tilltrasslade.
3. **Personlig säkerhet**
  - a. **Var uppmärksam, se på vad du gör och använd elverktyget med förnuft.** Använd inte elverktyget när du är trött eller om du är påverkad av droger, alkohol eller mediciner. Vid användning av elverktyg kan även en kort tids uppmärksamhet leda till allvariga kroppsskador.
  - b. **Använd skyddsutrustning. Bär alltid skyddsglasögon.** Den personliga skyddsutrustningen, t.ex. dammfiltermask, halkfria säkerhetsskor, hjälm och hörselskydd, minskar risken för kroppsskada när den används vid rätt tillfällen.
  - c. **Undvik oavsiktlig igångsättning. Kontrollera att strömbrytaren står i avstängt läge innan du ansluter verktyget till elnätet eller sätter i batteriet, samt innan du tar upp eller bär verktyget.** Det kan vara mycket farligt att bära ett elverktyg med fingret på strömbrytaren eller koppla det till nätet respektive sätta i batteriet med strömbrytaren i till-läge.
  - d. **Ta bort alla inställningsverktyg och skruvnycklar innan du startar elverktyget.** Ett verktyg eller en nyckel i en roterande komponent kan orsaka kroppsskada.
  - e. **Sträck dig inte för långt. Se till att du alltid har säkert fötåste och balans.** Därmed har du bättre kontroll över elverktyget i oväntade situationer.
  - f. **Bär lämpliga kläder. Bär inte löst hängande kläder eller smycken.** Håll undan hår, kläder och handskar från rörliga delar. Löst hängande kläder, smycken och långt hår kan fastna i roterande delar.
  - g. **Om elverktyget har utrustning för dammsugning och -uppsamling ska du kontrollera att utrustningen är rätt monterad och används på korrekt sätt.** Utrustningen kan minska riskerna när damm bildas.
4. **Bruk och skötsel av elverktyg**
  - a. **Överbelasta inte elverktyget. Använd rätt elverktyg för det aktuella arbetet.** Med rätt elverktyg kan du arbeta bättre och säkrare med det som verktyget är avsett för.
  - b. **Använd inte elverktyget om det inte går att starta och stänga av det med strömbrytaren.** Ett elverktyg som inte kan startas och stängas av med strömbrytaren är farligt och måste repareras.
  - c. **Dra ut stickproppen ur vägguttaget och/eller ta ut batteriet ur elverktyget innan inställningar utförs, tillbehör byts eller elverktyget ställs undan.** Denna säkerhetsåtgärd förhindrar oavsiktlig start av elverktyget.
- e. **Använd endast förlängningsladdar som är godkända för utomhusbruk när du arbetar med elverktyg utomhus.** Om du använder en förlängningsladd som är avsedd för utomhusbruk minskar risken för att du ska få en elstöt.
- f. **Om du måste använda ett elverktyg på en fuktig plats ska du använda jordfelsbrytare.** Jordfelsbrytaren minskar risken för stötter.

- d. **Förvara elverktyg utom räckhåll för barn. Låt inte elverktyget användas av personer som inte är vana vid det, eller som inte läst denna bruksanvisning.** Elverktyg är farliga om de används av ovana personer.
- e. **Sköt elverktyget omsorgsfullt. Kontrollera att rörliga komponenter fungerar felfritt och inte kärvar, att komponenter inte gått sönder eller skadats och inget annat föreligger som kan påverka elverktygets funktion. Om elverktyget är skadat ska du se till att få det reparerat innan det används.** Många olyckor orsakas av dåligt skötta elverktyg.
- f. **Håll skärverktyg vassa och rena.** Omsorgsfullt skötta skärverktyg med skarp egg fastnar inte så lätt och går lättare att styra.
- g. **Använd elverktyget, tillbehör, insatsverktyg osv. enligt dessa anvisningar och på sätt som föreskrivits för aktuell verktygsmodell. Ta hänsyn till arbetsvillkoren och arbetsmomenten.** Om elverktyget används på icke ändamålsenligt sätt kan farliga situationer uppstå.

## 5. Service

- a. **Elverktyget ska bara repareras av utbildade reparatörer och med originalreservdelar.** Detta säkerställer att elverktyget förblir säkert.

## Ytterligare säkerhetsanvisningar för elverktyg



**Varning!** Ytterligare säkerhetsanvisningar för bormaskiner och slagbormaskiner

- ◆ **Bär hörselskydd när du använder slagborrar.** Om du utsätts för höga ljud kan din hörsel bli nedsatt.
- ◆ **Använd de extrahandtag som medföljer verktyget.** Om du förlorar kontrollen över verktyget kan du skada dig själv eller andra.
- ◆ **Håll verktyget i de isolerade greppytorna vid arbete där borren riskerar att komma i kontakt med dolda elledningar eller med sin egen nätsladd.** Om borret går igenom en strömförande ledning kan verktygets metalldelar bli strömförande och ge dig en elektrisk stöt
- ◆ Använd aldrig ett mejselfällbehör i borrhåle. Tillbehöret kläms fast i materialet och bormaskinen vrids.
- ◆ Fäst arbetsstycket vid ett stabilt underlag med tvingar eller på något annat lämpligt sätt. Om du håller fast arbetsstycket med handen eller trycker det mot kroppen blir det instabilt och du kan förlora kontrollen.
- ◆ Innan du borrar i väggar, golv eller tak ska du kontrollera var rör eller elledningar finns.
- ◆ Undvik att vidröra spetsen på borret precis efter bormning, eftersom den kan bli väldigt varm.

- ◆ Användningsområdet beskrivs i den här bruksanvisningen. Om andra tillbehör eller tillsatser används, eller om någon annan åtgärd än de som rekommenderas i den här bruksanvisningen utförs med verktyget, kan personer och/eller egendom skadas.

## Säkerhet för andra

- ◆ Verktyget ska inte användas av personer (inklusive barn) med nedsatt fysisk eller psykisk förmåga eller bristande erfarenhet och kunskap, om de inte får vägledning och övervakas av en person som ansvarar för deras säkerhet.
- ◆ Barn ska hållas under uppsikt så att de inte leker med verktyget.

## Övriga risker.

Ytterligare risker som inte finns med i de bifogade säkerhetsföreskrifterna kan uppstå när verktyget används. Dessa risker kan uppstå vid felaktig användning, långvarig användning, o.s.v.

Även om alla relevanta säkerhetsföreskrifter följs och säkerhetsanordningar används kan vissa ytterligare risker inte undvikas. Dessa innefattar:

- ◆ Skador orsakade av att roterande/rörliga delar vidrörs.
- ◆ Skador som uppstår vid byte av delar, blad eller tillbehör.
- ◆ Skador som orsakas av långvarig användning av ett verktyg. Se till att ta regelbundna raster när du använder ett verktyg under en längre period.
- ◆ Skador på hörseln.
- ◆ Hälsorisker orsakade av inandning av damm när verktyget används (exempel: arbete med trä, särskilt ek, bok och MDF).

## Vibrationer

De uppgivna vibrationsvärdena i avsnitten Tekniska data och EU-förklaring om överensstämmelse har uppmätts i enlighet med en standardtestmetod föreskriven i EN 60745 och kan användas för jämförelse med andra verktyg. Det angivna vibrationsvärdet kan även användas för en preliminär bedömning av exponeringen.

**Varning!** Vibrationsvärdet under faktisk användning av elverktyget kan skilja sig från det uppgivna värdet beroende på hur verktyget används. Vibrationsnivån kan överstiga den uppgivna nivån.

Vid uppskattning av vibrationsexponering i syfte att bedöma vilka säkerhetsåtgärder som är nödvändiga enligt 2002/44/EG för att skydda personer som regelbundet använder elverktyg i arbetet ska man utgå från de faktiska omständigheter under vilka elverktyget används och sättet på vilket det används. Bedömningen ska även ta hänsyn till alla moment i arbetscykeln, t.ex. när verktyget är avstängt och när det går på tomgång såväl som när det faktiskt används.

## Etiketter på verktyget

Följande varningssymboler finns på verktyget, tillsammans med datumkoden:



**Varning!** Läs bruksanvisningen före användning för att minska risken för olyckor.

## Elsäkerhet



Eftersom verktyget är dubbelisolerat behövs ingen jordledare. Kontrollera alltid att nätspänningen överensstämmer med värdet på typskylten.

- ◆ Om nätsladden är skadad måste den bytas ut av tillverkaren eller en auktoriserad Stanley Fat Max-verkstad för att farliga situationer ska undvikas.

## Funktioner

Detta verktyg har några eller samtliga av följande funktioner.

1. Strömbrytare med variabel hastighet
2. Låsknapp
3. Hastighetsreglage
4. Framåt-/bakåtströmbrytare
5. Hastighetsväjlare med två lägen
6. Borrlägesväjlare
7. Chuck
8. Djupstopp
9. Sidohandtag

## Montering

**Varning!** Se till att verktyget är avstängt och att det inte är anslutet innan monteringen börjar.

### Montera sidohandtaget och djupstoppet (fig. A)

- ◆ Vrid vredet moturs tills du kan anbringa sidohandtaget (9) på verktygets framsida.
- ◆ Roter sidohandtaget till önskat läge.
- ◆ Sätt in djupstoppet (8) i det avsedda hålet. Se bilden.
- ◆ Ställ in borrdjupet enligt anvisningarna nedan.
- ◆ Dra åt sidohandtaget genom att vrida vredet medurs.

### Ange borrdjup (fig. A)

- ◆ Lossa på sidohandtaget (9) genom att vrida vredet moturs.
- ◆ Ställ djupstoppet (8) i önskat läge. Det maximala borrdjupet är lika med avståndet mellan borrens spets och djupstoppets främre ände.
- ◆ Dra åt sidohandtaget genom att vrida vredet medurs.

### Montera tillbehör (fig. B)

- ◆ Öppna chucken genom att vrida den främre delen (11) med ena handen medan du håller den bakre delen (13) med andra handen.
- ◆ Sätt borren (12) i chucken och dra åt ordentligt.

## Användning

**Varning!** Låt verktyget arbeta i sin egen takt. Överbelasta det inte.

**Varning!** Innan du borrar i väggar, golv eller tak ska du kontrollera var rör eller elledning finns.

### Välja borrläge

- ◆ Vid slagborring i murverk och betong ställer du borrlägesväjlaren (6) i T1 läge
- ◆ Vid borring i stål, trä och plast ställer du borrlägesväjlaren (6) i läge 1.

### Hastighetsväjlare med två lägen (fig. A)

- ◆ Vid borring i stål och för skruvdragning vrids du hastighetsväjlaren med två lägen(5) till läge 1 genom att rikta in pilen (10) mot siffran 1 (1:a växeln).
- ◆ Vid borring i andra material än stål vrids du hastighetsväjlaren med två lägen(5) till läge 2 genom att rikta in pilen (10) mot siffran 2 (2:a växeln).

### Välja rotationsriktning

När du borrar och drar åt skruvar använder du framåtgående (medurs) rörelse. När du lossar skruvar eller avlägsnar en borrbitt som har fastnat använder du bakåtgående (moturs) rörelse.

- ◆ Du väljer framåtgående rörelse genom att trycka framåt-/bakåttreglaget (4) åt vänster.
- ◆ Du väljer bakåtgående rörelse genom att trycka framåt-/bakåttreglaget åt höger.

**Varning!** Ändra aldrig rörelsens riktning medan motorn är igång.

### Slå på och av

- ◆ Slå på verktyget genom att trycka in strömbrytaren för variabel hastighet (1). Verktygets hastighet beror på hur hårt du trycker på strömbrytaren. Om verktyget har ett varierbart hastighetsreglage (3), ställer du det i önskad hastighet. En allmän regel är att du använder låga hastigheter för borrar med stor diameter och höga hastigheter för borrar med mindre diameter.
- ◆ Tryck in låsknappen (2) och släpp strömbrytaren för variabel hastighet om du vill ha kontinuerlig drift. Det här alternativet fungerar endast vid högsta hastighet eller vid förinställda hastigheter som ställts in med det variabla hastighetsreglaget (3). Det här fungerar inte vid bakåtgående rörelse.
- ◆ Slå av verktyget genom att släppa strömbrytaren för variabel hastighet. Under kontinuerlig drift stänger du av verktyget genom att trycka in och släppa strömbrytaren för variabel hastighet en gång till.

## Tillbehör

Verktygets prestanda beror på vilka tillbehör du använder. Stanley Fat Max-tillbehören är av hög kvalitet och konstruerade för att fungera optimalt med verktyget. Med dessa tillbehör får du ut det bästa av verktyget.

## Underhåll

Det här Stanley Fat Max-verktyget (med eller utan sladd) är konstruerat för att fungera under lång tid med minsta möjliga underhåll. Med rätt underhåll och regelbunden rengöring behåller verktyget sin prestanda.

**Varning!** Innan något underhåll utförs på elektriska redskap med eller utan sladd:

- ◆ Stäng av redskapet/verktyget och dra ur nätkontakten.
- ◆ Du kan också ta ut batteriet ur redskapet om redskapet har ett separat batteri.
- ◆ Om batteriet är inbyggt låter du det laddas ur helt innan avstängningen.
- ◆ Dra ur sladden till laddaren innan du rengör den. Laddaren behöver inget annat underhåll än regelbunden rengöring.
- ◆ Rengör regelbundet redskapets/verktygets/laddarens luftintag med en mjuk borste eller torr trasa.
- ◆ Rengör kåpan regelbundet med en fuktig trasa. Använd aldrig rengöringsmedel med lösnings- eller slipmedel.
- ◆ Öppna chocken (där sådan finns) med jämna mellanrum och knacka på den för att avlägsna damm som sitter på insidan.

## Byte av nätkontakt (endast Storbritannien och Irland)

Byt kontakten på följande sätt:

- ◆ Gör dig av med den gamla kontakten på lämpligt sätt.
- ◆ Anslut den bruna ledningen till den strömförande anslutningen i den nya kontakten.
- ◆ Anslut den blå ledningen till den icke strömförande anslutningen.

**Varning!** Anslut inte till jordanslutningen. Följ monteringsanvisningarna som medföljer kontakter av god kvalitet. Rekommenderad säkring: 5 A.

## Miljö



Separat insamling. Produkten får inte kastas i hushållssoporna.

Tänk på miljön när du slänger denna Stanley Fat Max-produkt. Släng den inte tillsammans med hushållsavfallet. Lämnar produkten för separat insamling.



Insamling av uttjänta produkter och förpackningsmaterial gör att material kan återanvändas. Användning av återvunnet material minskar föroreningar av miljön och behovet av råmaterial.

Lokala föreskrifter kan kräva separat insamling av elprodukter från hushållen, vid kommunala samlingsplatser eller hos återförsäljaren när du köper en ny produkt.

Stanley Europe samlar in och återvinner uttjänta Stanley Fat Max-produkter. Om du vill utnyttja denna tjänst återlämnar du produkten till en auktoriserad verkstad, som samlar in den för vår räkning.

För information om närmaste auktoriserade verkstad, kontakta det lokala Stanley Europe-kontoret på den adress som är angiven i bruksanvisningen. En lista över alla auktoriserade Stanley Europe-verkstäder samt servicevillkor finns på Internet: [www.2helpU.com](http://www.2helpU.com)

## Tekniska data

FME142 (Typ 1)		
Inspänning	$V_{AC}$	230
Ineffekt	W	850
Tomgångshastighet	$\text{min}^{-1}$	0-1100 / 0-3100
Slaghastighet	$\text{min}^{-1}$	0-18,700 / 0-52,700
<b>Maximal borrhållskapacitet</b>		
Betong	mm	18
Stål	mm	13
Trä	mm	50
Vikt	kg	2,5

### Ljudnivå enligt EN 60745:

Ljudnivå ( $L_{pA}$ ) 92 dB(A), osäkerhet (K) 3 dB(A)

Ljudeffekt ( $L_{WA}$ ) 103 dB(A), osäkerhet (K) 3 dB(A)

### Totala vibrationsvärden (vektorsumman av tre axlar) enligt EN 60745:

Slagbormning i betong ( $a_{h,D}$ ) 11  $\text{m/s}^2$ , osäkerhet (K) 1.5  $\text{m/s}^2$

Bormning i metall ( $a_{h,D}$ ) 1.5  $\text{m/s}^2$ , osäkerhet (K) 1.5  $\text{m/s}^2$



**EG-deklaration om överensstämmelse**

MASKINDIREKTIV



FME142 slagborrmaskin

Stanley Europe garanterar att produkterna som beskrivs under "Tekniska data" uppfyller:

2006/42/EG, EN60745-1:2009+A11:2010,  
EN60745-2-1:2010

De här produkterna överensstämmer även med direktiven 2014/30/EU och 2011/65/EU. Mer information får du genom att kontakta Stanley Europe på följande adress eller titta i slutet av bruksanvisningen.

Mer information får du genom att kontakta Stanley Europe på följande adress eller titta i slutet av bruksanvisningen.

Undertecknad är ansvarig för sammanställningen av tekniska data och gör denna försäkran för Stanley Europe.

R. Laverick  
Engineering Director  
Stanley Europe, Egide Walschaertsstraat14-18,  
2800 Mechelen, Belgien  
28/02/2017

**Garanti**

Stanley Europe garanterar att produkten är fri från material- och/eller fabriktionsfel vid leverans till kunder som använder produkten i arbetet. Garantin gäller utöver eventuella avtalsrättigheter för privatkonsumentens rättigheter enligt lag och påverkar inte dessa. Garantin gäller inom medlemsstaterna i Europeiska Unionen och i det Europeiska Frihandelsområdet.

**ETT ÅRS FULL GARANTI**

Om din Stanley Fat Max-produkt går sönder på grund av material- och/eller fabriktionsfel inom 12 månader från köpet, åtar sig Stanley Europe att byta ut alla trasiga delar utan kostnad med minsta besvär för kunden eller, efter eget godtycke, utan kostnad byta ut produkten förutsatt att:

- ◆ produkten inte har missköts och har använts enligt bruksanvisningen.
- ◆ produkten har utsatts för normalt slitage.
- ◆ reparationer inte har utförts av personer som inte är auktoriserade reparatörer.
- ◆ inköpskvitto finns.
- ◆ Stanley Fat Max-produkten returneras komplett med alla originaldelar

Om du vill göra ett garantianspråk kontaktar du återförsäljaren, letar upp närmaste auktoriserade Stanley Fat Max-verkstad i Stanley Fat Max-katalogen eller kontaktar det lokala Stanley-kontoret på den adress som är angiven i bruksanvisningen. En lista över alla auktoriserade Stanley Fat Max-verkstäder samt servicevillkor finns på Internet: [www.stanley.eu/3](http://www.stanley.eu/3)

## Bruksområde

Din Stanley Fat Max-slagdrill FME142 er utformet for boring i tre, met-all, plast og mur og for bruk som skrutrekker. Dette verktøyet ment for profesjonelle og private, ikke-profesjonelle brukere.

## Sikkerhetsinstruksjoner

### Generelle sikkerhetsadvarsler for elektroverktøy



**Advarsel! Les alle sikkerhetsadvarsler og alle instruksjoner.** Hvis advarslene og anvisningene nedenfor ikke overholdes, kan det medføre elektrisk støt, brann og/eller alvorlige personskader.

**Ta vare på alle advarsler og instruksjoner for fremtidig bruk.** Begrepet "elektroverktøy" i advarslene gjelder nettdrevet elektroverktøy (med ledning) eller batteridrevet elektroverktøy (uten ledning).

#### 1. Sikkerhet i arbeidsområdet

- Hold arbeidsområdet rent og godt opplyst.** Rotete eller mørke områder fører lett til ulykker.
- Ikke arbeid med elektroverktøy i eksplosjonsfarlige omgivelser – der det finnes seg brennbare væsker, gass eller støv.** Elektroverktøy forårsaker gnister som kan antenne støv eller gass/damp.
- Hold barn og andre personer unna når du bruker et elektroverktøy.** Hvis du blir forstyrret under arbeidet, kan du miste kontrollen.

#### 2. Elektrisk sikkerhet

- Støpselet til elektroverktøy må passe i stikkontakten. Støpselet må ikke forandres på noen som helst måte. Ikke bruk adapterstøpsler sammen med jordede elektroverktøy.** Bruk av originale støpsler og passende stikkontakter reduserer risikoen for elektrisk støt.
- Unngå kroppskontakt med jordede overflater som rør, radiatorer, komfyrer og kjøleskap.** Det er større fare for elektrisk støt dersom kroppen din er jordet.
- Hold elektroverktøy unna regn eller fuktighet.** Dersom det kommer vann i et elektroverktøy, øker faren for elektrisk støt.
- Unngå uforsvarlig behandling av ledningen. Bruk aldri ledningen til å bære eller trekke elektroverktøyet eller til å trekke ut støpselet. Hold ledningen unna varme, olje, skarpe kanter eller bevegelige deler.** Skadde eller sammenflokede ledninger øker risikoen for elektrisk støt.
- Når du bruker et elektroverktøy utendørs, må du bruke en skjøteledning som er egnet for utendørs bruk.** Når du bruker en skjøteledning som er egnet for utendørs bruk, reduseres risikoen for elektrisk støt.

- Hvis du ikke kan unngå å bruke et elektroverktøy på et fuktig sted, bruker du strømforsyning som er beskyttet med jordfeilbryter.** Bruk av jordfeilbryter reduserer risikoen for elektrisk støt.

#### 3. Personikkerhet

- Vær oppmerksom, pass på hva du gjør, og vis fornuft når du arbeider med et elektroverktøy. Ikke bruk elektroverktøy når du er trett eller er påvirket av narkotika, alkohol eller medikamenter.** Et øyeblikks uoppmerksomhet under bruk av verktøyet kan føre til alvorlige personskader.
- Bruk personlig verneutstyr. Bruk alltid vernebriller.** Bruk av personlig verneutstyr, for eksempel støvmaske, sklisikre vernesko, hjelm eller hørselvern som passer til forholdene, reduserer risikoen for personskader.
- Forhindre utilsiktet start. Kontroller at bryteren står i posisjon "av" før du kobler til strømkilden og/eller batteripakken, og før du tar opp eller bærer verktøyet.** Det kan føre til ulykker hvis du bærer elektroverktøyet med fingrene på bryteren, eller setter strøm på verktøyet når bryteren står på.
- Fjern eventuelle innstillingsverktøy eller skruverktøy før du slår på elektroverktøyet.** Et skruverktøy eller en nøkkel som fortsatt er festet til en roterende del av elektroverktøyet, kan føre til personskade.
- Ikke strekk deg for langt. Pass på at du alltid har sikkert fotfeste og god balanse.** Da kan du kontrollere elektroverktøyet bedre i uventede situasjoner.
- Bruk egnede klær. Ikke bruk løstsittende klær eller smykker. Hold hår, klær og hansker unna bevegelige deler.** Løstsittende tøy, smykker eller langt hår kan bli sittende fast i bevegelige deler.
- Hvis det kan monteres støvavsug- og oppsamlingsinnretninger, må du forvise deg om at disse er tilkoblet og brukes på riktig måte.** Bruk av støvoppsamling kan redusere faren i forbindelse med støv.

#### 4. Bruk og behandling av elektroverktøy

- Ikke bruk makt på elektroverktøyet. Bruk riktig elektroverktøy for bruksområdet.** Med et passende elektroverktøy arbeider du bedre og sikrere med den farten det er beregnet for.
- Ikke bruk elektroverktøyet hvis du ikke kan slå det på og av med bryteren.** Et elektroverktøy som ikke kan kontrolleres med bryteren, er farlig og må repareres.
- Trekk støpselet ut av stikkontakten og/eller koble fra batteripakken på elektroverktøyet før du utfører innstillinger, bytter tilbehør eller legger elektroverktøyet bort.** Disse forebyggende sikkerhetstiltakene reduserer risikoen for utilsiktet start av elektroverktøyet.

- d. **Elektroverktøy som ikke er i bruk, må oppbevares utilgjengelig for barn. Ikke la verktøyet bli brukt av personer som ikke er fortlroelig med det, eller som ikke har lest denne bruksanvisningen.** Elektroverktøy er farlige når de brukes av uerfarne personer.
- e. **Sørg for vedlikehold av elektroverktøy. Undersøk om bevegelige deler er feiljustert eller blokkert, om deler er skadet, og om det er andre forhold som kan påvirke elektroverktøyets funksjon. Hvis elektroverktøyet er skadet, må det repareres før bruk.** Dårlig vedlikeholdt elektroverktøy er årsaken til mange ulykker.
- f. **Hold skjæreverktøy skarpe og rene.** Godt vedlikeholdte skjæreverktøy med skarpe egger setter seg ikke så ofte fast og er lettere å føre.
- g. **Bruk elektroverktøy, tilbehør, bits osv. i henhold til disse instruksjonene. Ta hensyn til arbeidsforholdene og arbeidet som skal utføres.** Bruk av elektroverktøy til andre formål enn det som er angitt, kan føre til farlige situasjoner.
5. **Service**
- a. **Elektroverktøy skal alltid repareres av kvalifisert personell og kun med originale reservedeler.** Dette sikrer at elektroverktøyets sikkerhet opprettholdes.

### Ytterligere sikkerhetsadvarsler for elektroverktøy



**Advarsel!** Ytterligere sikkerhetsadvarsler for driller og slagdriller

- ◆ **Bruk hørselvern når du bruker slagdrill.** Hvis du utsettes for støy, kan hørselen bli redusert.
- ◆ **Bruk hjelpehåndtak som følger ned verktøyet.** Tap av kontroll kan føre til personskaade.
- ◆ **Hold elektroverktøyet i de isolerte grepene når du utfører et arbeid hvor skjæretilbehøret kan komme i kontakt med skjulte ledninger eller sin egen kabel.** Hvis skjæretilbehøret kommer i kontakt med en strømførende ledning, kan frittliggende metalldele på verktøyet bli strømførende, og brukeren kan få elektrisk støt.
- ◆ **Bruk aldri et meislevertkøy i rotasjonsmodus.** Tilbehøret vil sette seg fast i materialet og dreie drillen.
- ◆ **Bruk klemmer eller andre praktiske metoder for å spenne fast og støtte arbeidsstykket på en stabil plattform.** Holdes arbeidsstykket med hånden eller inn mot kroppen, vil det være ustabil, og dette kan lett føre til at du mister kontrollen.
- ◆ **Før du borer i vegger, gulv eller tak, må du kontrollere plasseringen av kabler og rør.**
- ◆ **Unngå å komme i berøring med spissen på et bor rett etter boring, da den kan være varm.**

- ◆ **Beregnet bruk er beskrevet i denne håndboken.** Bruk av tilbehør eller utføring av oppgaver som ikke er anbefalt for verktøyet i denne håndboken, kan medføre fare for personskaade og/eller skade på eiendom.

### Andre personers sikkerhet

- ◆ **Det er ikke meningen at dette produktet skal brukes av personer (inkludert barn) med reduserte fysiske, sansemessige eller mentale evner, eller som mangler erfaring og kunnskap, med mindre de har fått oppfølging eller instruksjon når det gjelder bruken av produktet, fra en person som er ansvarlig for deres sikkerhet.**
- ◆ **Barn skal være under oppsyn så du er sikker på at de ikke leker med produktet.**

### Andre risikoer

Ved bruk av produktet kan det oppstå ytterligere risikoer som kanskje ikke er inkludert i sikkerhetsadvarslene som følger med. Disse risikoene kan bli forårsaket av feil bruk, langvarig bruk osv.

Selv om de relevante sikkerhetsbestemmelsene blir fulgt, og sikkerhetstiltakene blir gjennomført, kan visse gjenværende risikoer ikke unngås. Disse omfatter:

- ◆ **Personskader som forårsakes av berøring av en roterende/bevegelig del.**
- ◆ **Personskader som forårsakes av at en del, et blad eller tilbehør endres.**
- ◆ **Personskader som forårsakes av langvarig bruk av et verktøy.** Når du bruker et verktøy i lange perioder, må du sørge for å ta regelmessige pauser.
- ◆ **Svekket hørsel.**
- ◆ **Helsefarer som forårsakes av innånding av støv som dannes når du bruker verktøyet (eksempel: arbeid med tre, spesielt eik, bøk og MDF).**

### Vibrasjon

Vibrasjonsemisjonsverdien som er angitt under tekniske data og samsvarserklæring, er blitt målt i henhold til en standard testmetode som er angitt i EN 60745, og kan brukes til å sammenligne et verktøy med et annet. Den oppgitte vibrasjonsemisjonsverdien kan også brukes til en foreløpig vurdering av eksponering.

**Advarsel!** Vibrasjonsemisjonsverdien under faktisk bruk av elektroverktøyet kan avvike fra den oppgitte verdien avhengig av måten verktøyet blir brukt på. Vibrasjonsnivået kan øke over nivået som er oppgitt.

Når man vurderer vibrasjonseksposering for å bestemme sikkerhetstiltak som kreves i 2002/44/EF, for å beskytte personer som bruker elektroverktøy regelmessig i arbeidet, skal man når man anslår vibrasjonseksposeringen, ta hensyn til de faktiske bruksforholdene og måten verktøyet blir brukt på, inkludert hensyn til alle deler av bruksyklusen – også de gangene verktøyet slås av, og når det går på tomgang, i tillegg til tiden utløseren er inne.

### Merking på verktøyet

Følgende advarselssymboler vises på verktøyet sammen med datokoden:



**Advarsel!** Brukeren må lese håndboken for å redusere risikoen for personskade.

### Elektrisk sikkerhet



Dette apparatet er dobbeltisolert. Jording er derfor ikke nødvendig. Kontroller alltid at strømforsyningen er i overensstemmelse med spenningen på typeskiltet.

- ◆ Hvis strømledningen blir skadet, må den skiftes av produsenten eller et autorisert Stanley Fat Max-service-senter så man unngår fare.

### Funksjoner

Dette verktøyet har enkelte av eller alle funksjonene nedenfor.

1. Bryter for variabel hastighet
2. Låseknapp
3. Kontrollknapp for variabel hastighet
4. Bryter for fremover/bakover
5. Togirselvelger
6. Boremodusvelger
7. Chuck
8. Dybdestopp
9. Sidehåndtak

### Montering

**Advarsel!** Før monteringen må du passe på at verktøyet er slått av, og at støpselet er trukket ut.

#### Montering av sidehåndtak og dybdestopp (fig. A)

- ◆ Vri håndtaket mot klokken til du kan skyve sidehåndtaket (9) til forsiden av verktøyet.
- ◆ Vri sidehåndtaket til ønsket stilling.
- ◆ Sett dybdestoppen (8) i monteringshullet som vist.
- ◆ Still inn boreddybden som beskrevet nedenfor.
- ◆ Stram sidehåndtaket ved å vri håndtaket med klokken.

#### Stille inn boreddybden (figur A)

- ◆ Løsne sidehåndtaket(9) ved å vri håndtaket mot klokken.

- ◆ Sett dybdestopp (8) i ønsket stilling. Maksimal boreddybde tilsvarer avstanden mellom spissen på boret og forparten av dybdestoppen.
- ◆ Stram sidehåndtaket ved å vri håndtaket med klokken.

#### Sette på et tilbehør (figur B)

- ◆ Åpne chucken ved å dreie den forre delen (11) med den ene hånden mens du holder den bakre delen (13) med den andre.
- ◆ Sett bitskafet (12) inn i chucken, og stram chucken godt.

### Bruk

**Advarsel!** La verktøyet arbeide med sin egen hastighet. Ikke overbelast det.

**Advarsel!** Før du borer i vegger, gulv eller tak, må du kontrollere plasseringen av kabler og rør.

#### Velge boremodus

- ◆ Hvis du skal bore med slag i mur og betong, setter du bruksmodusvelgeren (6) i stillingen **T2**.
- ◆ For boring i stål, tre og plast setter du bruksmodusvelgeren (6) i stillingen **1**.

#### Togirselvelger (figur A)

- ◆ For boring i tre og for bruk som skrutrekker dreier du togirselvelgeren (5) til posisjon 1 ved å plassere pilen (10) overfor tallet 1 (første gir).
- ◆ For boring i andre materialer enn stål dreier du togirselvelgeren (5) til posisjon 2 ved å plassere pilen (10) overfor tallet 2 (andre gir).

#### Velge rotasjonsretning

For boring og stramming av skruer brukes rotasjon fremover (med klokken). For løsning av skruer eller fjerning av bor sitter fast, brukes rotasjon bakover (mot klokken).

- ◆ Når du skal velge rotasjon fremover, skyver du glidebryteren for fremover/bakover (4) til venstre.
- ◆ Når du skal velge rotasjon bakover, skyver du glidebryteren til høyre.

**Advarsel!** Du må aldri skifte rotasjonsretning mens motoren går.

#### Slå på og av

- ◆ Når du skal slå verktøyet på, trykker du på bryteren for variabel hastighet (1). Hastigheten til verktøyet avhenger av hvor langt inn du trykker bryteren. Hvis verktøyet har kontrollknapp for variabel hastighet (3), setter du den til ønsket hastighetsområde. Bruk lav hastighet for bor med stor diameter og høy hastighet for bor med mindre diameter.

- ◆ Hvis du ønsker å holde verktøyet i gang kontinuerlig, trykker du inn låseknappen (2) og slipper bryteren for variabel hastighet. Dette alternativet er bare tilgjengelig ved full hastighet eller en hastighet som er innstilt med kontrollknappen for variabel hastighet (3). Dette alternativet fungerer ikke ved rotasjon bakover.
- ◆ Når du skal slå verktøyet av, slipper du bryteren for variabel hastighet. Hvis du vil slå av verktøyet mens det går kontinuerlig, trykker du inn bryteren for variabel hastighet én gang til og slipper den.

## Tilbehør

Verktøyet yelse avhenger av tilbehøret du bruker. Stanley Fat Max-tilbehør er produsert etter høye kvalitetsstandarder og er konstruert for å bedre verktøyet yelse. Hvis du bruker dette tilbehøret, får du den aller beste ytelsen fra verktøyet ditt.

## Vedlikehold

Det nettdrevne/batteridrevne Stanley Fat Max-apparatet/verktøyet er konstruert for å være i drift over lengre tid med et minimum av vedlikehold. Det er avhengig av riktig stell og regelmessig rengjøring for å fungere som det skal til enhver tid.

**Advarsel!** Før du utfører vedlikehold på nettdrevet/batteridrevet elektroverktøy:

- ◆ Slå av apparatet/verktøyet og trekk ut støpselet.
- ◆ Eller slå av apparatet/verktøyet og fjern batteriet fra dette hvis apparatet/verktøyet har separat batteripakke.
- ◆ Eller la batteriet gå helt tomt hvis det er innebygd, og slå deretter av.
- ◆ Fjern laderen fra stikkkontakten før du rengjør den. Laderen krever ikke annet vedlikehold enn regelmessig rengjøring.
- ◆ Rengjør ventilasjonsåpningene i apparatet/verktøyet/laderen jevnlig med en myk børste eller tørr klut.
- ◆ Rengjør motorhuset regelmessig med en fuktig klut. Ikke bruk slipende eller løsemiddelbaserte rengjøringsmidler.
- ◆ Åpne chocken regelmessig, og bank på den for å fjerne eventuelt støv fra innsiden (hvis det er aktuelt).

## Bytte nettstøpsel (gjelder bare Storbritannia og Irland)

Hvis det må settes på nytt nettstøpsel:

- ◆ Kast det gamle støpselet på en trygg måte.
- ◆ Koble den brune ledningen til den strømførende terminalen i det nye støpselet.
- ◆ Koble den blå ledningen til den nøytrale terminalen.

**Advarsel!** Du skal ikke koble til jordterminalen. Følg monteringsinstruksjonene som følger med støpsler av god kvalitet. Anbefalt sikring: 5 A.

## Miljø



Separat avfallshåndtering. Dette produktet må ikke kastes sammen med vanlig husholdningsavfall.

Hvis du synes Stanley Fat Max-produktet bør skiftes ut, eller du ikke har bruk for det lenger, må du ikke kaste det sammen med husholdningsavfall. Sørg for separat avfallshåndtering for dette produktet.



Hvis brukte produkter og emballasje leveres atskilt, kan materialer resirkuleres og brukes på nytt. Gjenbruk av resirkulerte materialer bidrar til redusert miljøforurensning og reduserer behovet for råmaterialer.

Det kan være lokale bestemmelser for separat avfallshåndtering for elektriske produkter fra husstander på kommunale avfallsplasser eller hos forhandleren, når du kjøper et nytt produkt.

Stanley Europe har en ordning for innsamling og resirkulering av Stanley Fat Max-produkter som ikke skal brukes lenger. Du kan benytte denne tjenesten ved å levere produktet til et hvilket som helst autorisert serviceverksted.

Du kan finne ut hvor nærmeste autoriserte serviceverksted er, ved å kontakte din lokale Stanley Europe-avdeling på adressen som er oppgitt i denne håndboken. En oversikt over autoriserte Stanley Europe-serviceverksteder og alle opplysninger om ettersalgsservice og kontakter er også tilgjengelig på Internett: [www.2helpU.com](http://www.2helpU.com)

## Tekniske data

FME142 (Type 1)		
Inngangsspenning	$V_{AC}$	230
Inngangseffekt	W	850
Hastighet ubelastet	$\text{min}^{-1}$	0-1100 / 0-3100
Slagfrekvens	$\text{min}^{-1}$	0-18,700 / 0-52,700
Maks. borekapasitet		
Betong	mm	18
Stål	mm	13
Tre	mm	50
Vekt	kg	2,5

Lydtrykknivå i henhold til EN 60745:
Lydtrykk ( $L_{pA}$ ) 92 dB(A), usikkerhet (K) 3 dB(A)
Lydeffekt ( $L_{WA}$ ) 103 dB(A), usikkerhet (K) 3 dB(A)

Totale vibrasjonsverdier (vektorsum fra tre retninger) i henhold til EN 60745:
Boring med slag i betong ( $a_{h,D}$ ) 11 m/s <sup>2</sup> , usikkerhet (K) 1.5 m/s <sup>2</sup>
Boring i metall ( $a_{h,D}$ ) 1.5 m/s <sup>2</sup> , usikkerhet (K) 1.5 m/s <sup>2</sup>

## EF-samsvarserklæring

### MASKINDIREKTIV



FME142 slagdrill

Stanley Europe erklærer at disse produktene som er beskrevet under "Tekniske data", er i samsvar med: 2006/42/EF, EN60745-1:2009+A11:2010, EN60745-2-1:2010

Disse produktene er også i samsvar med direktiv 2014/30/EU og 2011/65/EU. Hvis du ønsker mer informasjon, kontakt Stanley Europe på følgende adresse, eller se på baksiden av håndboken.

Hvis du ønsker mer informasjon, kontakt Stanley Europe på følgende adresse, eller se på baksiden av håndboken.

Undertegnede er ansvarlig for utarbeidelsen av den tekniske dokumentasjonen og gir denne erklæringen på vegne av Stanley Europe.

R. Laverick  
Engineering Director  
Stanley Europe, Egide Walschaertsstraat14-18,  
2800 Mechelen, Belgia  
28/02/2017

## Garanti

Stanley Europe er trygg på kvaliteten på sine produkter og tilbyr en enestående garanti til profesjonelle brukere av produktet. Denne garantierklæringen kommer i tillegg til og reduserer på ingen måte dine kontraktmessige rettigheter som privat ikke-profesjonell bruker. Garantien er gyldig i EU- og EFTA-medlemsstatene.

## FULL GARANTI I ETT ÅR

Hvis Stanley Fat Max-produktet blir defekt på grunn av material- eller produksjonsfeil innen 12 måneder fra kjøpsdatoen, garanterer Stanley Europe å erstatte alle defekte deler uten betaling eller – hvis vi velger dette – å erstatte enheten uten betaling forutsatt at:

- ◆ Produktet er ikke blitt brukt på feil måte og er blitt brukt i samsvar med bruksanvisningen.
- ◆ Produktet har vært utsatt for rimelig slitasje.
- ◆ Uautoriserte personer har ikke gjort forsøk på å reparere produktet.
- ◆ Det legges frem kjøpsdokumentasjon.
- ◆ Stanley Fat Max-produktet returneres i sin helhet med alle originale komponenter.

Hvis du ønsker å fremme et krav, må du kontakte selgeren eller finne adressen til nærmeste autoriserte Stanley Fat Max-serviceverksted i Stanley Fat Max-katalogen eller kontakte din lokale Stanley-avdeling på adressen som er oppgitt i denne håndboken. En liste over autoriserte Stanley Fat Max-serviceverksteder og alle opplysninger om ettersalgsservice er tilgjengelig på Internett: [www.stanley.eu/3](http://www.stanley.eu/3)

## Anvendelsesområde

Din slagboremaskine FME142 fra Stanley Fat Max er designet til boring i træ, metal, plastic og murværk og som skruetrækker. Dette værktøj beregnet til professionelle og private, ikke-professionelle brugere.

## Sikkerhedsanvisninger

### Generelle sikkerhedsadvarsler vedrørende elværktøj



**Advarsel! Læs alle sikkerhedsadvarsler og instruktioner.** Hvis nedenstående instruktioner og advarsler ikke følges, er der risiko for elektrisk stød, brand og/eller alvorlige personskader.

### Gem alle advarsler og anvisninger til senere brug.

Begrebet "elværktøj", der benyttes i nedenstående advarsler, henviser til netdrevet elværktøj (med netledning) eller batteridrevet værktøj (uden netledning).

#### 1. Sikkerhed i arbejdsområdet

- Hold arbejdsområdet rent og ordentligt oplyst.**  
Uordentlige og mørke områder øger faren for uheld.
- Brug ikke elværktøj i eksplosive omgivelser, f.eks. hvor der er brændbare væsker, gasser eller støv.**  
Elværktøj kan forårsage gnister, der kan antænde støv eller dampe.
- Hold børn og andre personer på afstand, når et elværktøj er i brug.** Du kan miste kontrollen over værktøjet, hvis du distraheres.

#### 2. Elektricitet og sikkerhed

- Elværktøjsstik skal passe til stikkontakten. Stikket må under ingen omstændigheder ændres. Brug ikke adapterstik sammen med jordforbundet elværktøj.**  
Uændrede stik, der passer til stikkontakterne, nedsætter risikoen for elektrisk stød.
- Undgå kropskontakt med jordforbundne overflader som f.eks. rør, radiatorer, komfurer og køleskabe.** Hvis din krop er jordforbundet, øges risikoen for elektrisk stød.
- Elværktøj må ikke udsættes for regn eller fugt.** Indtrængen af vand i elværktøj øger risikoen for elektrisk stød.
- Ødelæg ikke ledningen. Bær, træk eller afbryd ikke elværktøjet vha. ledningen. Beskyt ledningen mod varme, olie, skarpe kanter eller maskindele, der er i bevægelse.** Beskadigede eller sammenfiltrede ledninger øger risikoen for elektrisk stød.
- Hvis elværktøj benyttes i det fri, skal der benyttes en forlængerledning, som er godkendt til udendørs brug.** Brug af en forlængerledning til udendørs brug nedsætter risikoen for elektrisk stød.

- Brug en strømkilde med fejlstrømsbeskyttelse, hvis det er uundgåeligt at anvende elværktøj på fugtige steder.** Med en fejlstrømsbeskyttelse reduceres risikoen for elektrisk stød.

#### 3. Personlig sikkerhed

- Vær opmærksom, hold øje med, hvad du laver, og brug elværktøjet fornuftigt. Brug ikke et elværktøj, hvis du er træt eller påvirket af stoffer, medicin eller alkohol.** Få sekunders uopmærksomhed ved brug af elværktøjet kan føre til alvorlige personskader.
  - Brug personlige værnemidler. Brug altid beskyttelsesbriller.** Brug af værnemidler som f.eks. støvmaske, skridsikkert fodtøj, beskyttelseshjelm eller høreværn nedsætter risikoen for personskader, hvis udstyret anvendes korrekt.
  - Sørg for, at værktøjet ikke kan starte utilsigtet. Kontroller, at afbryderkontakten står på slukket, inden værktøjet tilsluttes strømkilden og/eller batteriet, samles op eller bæres.** Bæres elværktøj, mens fingeren er på kontakten, eller tilsluttes det, mens kontakten står på tændt, kan der nemt ske en ulykke.
  - Fjern indstillingsværktøj eller skruenøgle, inden elværktøjet tændes.** Et værktøj eller en nøgle, der efterlades i en roterende del i elværktøjet, kan resultere i personskader.
  - Stræk dig ikke for langt. Sørg for, at du altid har sikkert fodfæste og balance.** Det gør det nemmere at kontrollere elværktøjet, hvis der skulle opstå uventede situationer.
  - Brug egnet arbejdstøj. Undgå løse beklædningsgenstande eller smykker. Hold hår, tøj og handsker væk fra dele, der bevæger sig.** Bevægelige dele kan gribe fat i løstsiddende tøj, smykker eller langt hår.
  - Hvis støvudsugnings- og opsamlingsudstyr kan monteres, er det vigtigt, at dette tilsluttes og benyttes korrekt.** Brug af udstyr til opsamling af støv kan nedsætte risikoen for støvrelateret personskade.
- #### 4. Brug og vedligeholdelse af elværktøj
- Undgå at overbelaste elværktøjet. Brug altid det rette elværktøj til opgaven.** Med det rigtige elværktøj udføres arbejdet lettere og sikrere og i det tempo, som værktøjet er beregnet til.
  - Brug ikke elværktøjet, hvis afbryderen er defekt.** Elværktøj, der ikke kan reguleres med afbryderen, er farligt og skal repareres.
  - Træk stikket ud af stikkontakten og/eller batteriet inden indstilling, tilbehørsudskiftning eller opbevaring af elværktøjet.** Disse sikkerhedsforanstaltninger reducerer risikoen for utilsigtet start af værktøjet.



- d. **Opbevar ubenyttet elværktøj uden for børns rækkevidde. Lad aldrig personer, der ikke er fortrolige med elværktøj, eller som ikke har gennemlæst disse instruktioner, benytte maskinen.** Elværktøj er farligt, hvis det benyttes af ukyndige personer.
- e. **Elværktøj bør vedligeholdes omhyggeligt. Kontroller, om bevægelige dele er skæve og ikke sidder fast, og om delene er brækket eller beskadiget, så elværktøjets funktion påvirkes. Få beskadigede dele repareret, inden elværktøjet tages i brug.** Mange uheld skyldes dårligt vedligeholdt elværktøj.
- f. **Sørg for, at skæreværktøjer er skarpe og rene.** Ordentligt vedligeholdt skæreværktøj med skarpe skærekanter sætter sig ikke så hurtigt fast og er nemmere at styre.
- g. **Brug elværktøjet, tilbehøret, indsatsværktøj osv. i overensstemmelse med disse instruktioner under hensyntagen til arbejdsforholdene og arbejdet, der skal udføres med værktøjet.** I tilfælde af anvendelse af elværktøjet til formål, som ligger uden for det fastsatte anvendelsesområde, kan der opstå farlige situationer.

## 5. Service

- a. **Få altid elværktøjet repareret af kvalificerede fagfolk med udelukkende identiske reservedele.** Dermed opretholdes elværktøjets sikkerhed.

## Yderligere sikkerhedsadvarsler for elværktøj



**Advarsel!** Yderligere sikkerhedsadvarsler for boremaskiner og slagboremaskiner

- ◆ **Bær høreværn ved slagboring.** Støj kan forårsage høretab.
- ◆ **Brug de ekstra håndtag, der følger med værktøjet.** Det kan medføre personskade, hvis kontrollen over værktøjet mistes.
- ◆ **Hold i elværktøjets isolerede gribeblader, hvis der er risiko for, at skæretilbehøret kommer i kontakt med skjulte ledninger eller værktøjets egen ledning.** Hvis skæretilbehøret rammer en strømførende ledning, bliver elværktøjets blotlagte dele strømførende, så brugeren får stød
- ◆ Brug aldrig mejselftilbehør i roterende funktion. Tilbehøret sætter sig fast i materialet og roterer boret.
- ◆ Brug skruetvinger eller lignende til at holde og støtte materialet på et stabilt underlag. Det er ikke nok at holde materialet ind mod kroppen. Det bliver ustabil, og du kan miste kontrollen.
- ◆ Kontroller placeringen af ledninger og rør, inden der bores i vægge, gulve eller lofter.
- ◆ Rør ikke ved spidsen af et bor lige efter boring, det kan være varmt.

- ◆ Apparatets påtænkte anvendelse fremgår af vejledningen. Brugen af ekstraudstyr eller tilbehør eller udførelse af opgaver med værktøjet ud over de i brugervejledningen anbefalede kan medføre risiko for personskade og/eller materiel skade.

## Andres sikkerhed

- ◆ Dette apparat må ikke bruges af personer (herunder børn) med nedsatte fysiske, sensoriske eller mentale evner eller manglende erfaring og viden, med mindre det sker under overvågning, eller der gives instruktion i brugen af apparatet af en person, der er ansvarlig for deres sikkerhed.
- ◆ Børn skal holdes under opsyn, så det sikres, at de ikke leger med værktøjet.

## Restrisici.

Der kan opstå yderligere restrisici under brugen af værktøjet, som ikke kan medtages i vedlagte sikkerhedsadvarsler. Disse risici kan opstå pga. forkert anvendelse, langvarig brug etc. Selv ved overholdelse af relevante sikkerhedsforskrifter og anvendelse af sikkerhedsudstyr kan visse restrisici ikke undgås. Disse omfatter:

- ◆ Tilskadekomst forårsaget af berøring af roterende/bevægelige dele.
- ◆ Tilskadekomst forårsaget af udskiftning af dele, blade eller tilbehør.
- ◆ Tilskadekomst forårsaget af langvarig brug af et værktøj. Husk at holde pause jævnligt ved brug af et værktøj i længere tid.
- ◆ Høreskader.
- ◆ Sundhedsrisici forårsaget af indånding af støv, der genereres ved brug af værktøjet (eksempel: Arbejde med træ, især, eg, bøg og MDF).

## Vibration

De angivne værdier for udsendelse af vibration opført under de tekniske data og overensstemmelseserklæringen er målt i henhold til standardtestmetoden anført i EN 60745 og kan bruges til at sammenligne ét værktøj med et andet. Den angivne værdi for udsendelse af vibration kan også bruges som en foreløbig vurdering af eksponeringen.

**Advarsel!** Værdien for udsendelse af vibration ved faktisk brug af elværktøjet kan afvige fra den angivne værdi afhængig af måden, værktøjet anvendes på. Vibrationsniveauet kan overstige det angivne niveau.

I vurderingen af eksponeringen for vibration med henblik på fastsættelse af sikkerhedsforanstaltninger som krævet i 2002/44/EF til beskyttelse af personer, der jævnligt anvender elværktøj i deres arbejde, skal der tages hensyn til de faktiske betingelser under brugen, og måden værktøjet bruges på,



herunder alle arbejds cyklussens elementer, f.eks. perioder, hvor værktøjet er slukket og kører i tomgang tillige med startperioderne.

### Mærkater på værktøjet

Værktøjet er forsynet med følgende advarselssymboler samt datokoden:



**Advarsel!** Brugeren skal læse brugervejledningen for at reducere risikoen for tilskadekomst.

### Elektricitet og sikkerhed



Denne maskine er dobbelt isoleret. Derfor er jordledning ikke nødvendig. Kontroller altid, at strømforsyningen svarer til spændingen på typeskiltet.

- ◆ Hvis netledningen beskadiges, skal den udskiftes af producenten eller et autoriseret Stanley Fat Max-værksted, så farlige situationer undgås.

### Komponenter

Dette værktøj leveres med nogle af eller alle følgende komponenter.

1. Knap til trinløs hastighedsregulering
2. Spærreknapp
3. Greb til trinløs hastighed
4. Kontakt til skift af retning
5. 2-gear-vælger
6. Knap til valg af borefunktion
7. Patron
8. Dybdestop
9. Sidehåndtag

### Samling

**Advarsel!** Kontroller før montering, at værktøjet er slukket, og at stikket er taget ud af stikkontakten.

### Montering af sidehåndtaget og dybdestoppet (fig. A)

- ◆ Drej grebet mod uret, til du kan trække sidehåndtaget (9) frem til værktøjets forende.
- ◆ Drej sidehåndtaget til den ønskede stilling.
- ◆ Sæt dybdestoppet (8) i monteringshullet som vist.
- ◆ Indstil boreddybden som beskrevet herunder.
- ◆ Spænd sidehåndtaget ved at dreje grebet med uret.

### Indstilling af boreddybde (fig. A)

- ◆ Løsn sidehåndtaget (9) ved at dreje grebet mod uret.
- ◆ Indstil dybdestoppet (8) til den ønskede position. Den maksimale boreddybde er afstanden mellem borets spids og den forreste del af dybdestoppet.
- ◆ Spænd sidehåndtaget ved at dreje grebet med uret.

### Montering af tilbehør (fig. B)

- ◆ Åbn patronen ved at dreje på den forreste del (11) med den ene hånd, mens der holdes fast i den bageste del (13) med den anden hånd.
- ◆ Sæt borskaffet (12) i patronen, og spænd patronen fast.

### Anvendelse

**Advarsel!** Lad værktøjet arbejde i dets eget tempo. Det må ikke overbelastes.

**Advarsel!** Kontroller placeringen af ledninger og rør, inden der bores i vægge, gulve eller lofter.

### Valg af borefunktion

- ◆ Ved hammerboring i murværk og beton skal funktionsvælgeren (6) indstilles til **T1** position
- ◆ Ved boring i stål, træ og plastic skal funktionsvælgeren (6) indstilles til **1** position.

### 2-gear-vælger (fig. A)

- ◆ Ved boring i stål samt ved brug som skruetrækker skal to-gear-vælgeren (5) drejes til position 1 ved at placere pilen (10) ud for tallet 1 (1. gear).
- ◆ Ved boring i andre materialer end stål skal to-gear-vælgeren (5) drejes til position 2 ved at placere pilen (10) ud for tallet 2 (2. gear).

### Valg af omløbsretning

Brug forlæns omløb (med uret) ved boring og spænding af skruer. Brug baglæns omløb (mod uret) for at løsne skruer eller fjerne et fastklemt bor.

- ◆ Tryk skyderen til skift af retning (4) mod venstre for at vælge forlæns omløb.
- ◆ Tryk skyderen til skift af retning mod højre for at vælge baglæns omløb.

**Advarsel!** Skift aldrig omløbsretning, mens motoren kører.

### Tænd og sluk

- ◆ Tryk på kontakten til variabel hastighed (1) for at starte værktøjet. Værktøjets hastighed afhænger af, hvor langt du trykker kontakten. Hvis værktøjet har en knap til trinløs hastighedskontrol (3) sættes den på det ønskede hastighedsområde. Brug generelt lave hastigheder til bor med stor diameter og lave hastigheder til bor med mindre diameter.
- ◆ Tryk på spærreknappen (2), og udløsl kontakten til variabel hastighed for at opnå konstant funktion. Denne funktion kan kun aktiveres ved fuld hastighed eller ved en hastighed, der er indstillet med knappen til trinløs hastighedskontrol (3). Denne funktion kan ikke aktiveres ved baglæns omløb.

- Udløs kontakten til variabel hastighed for at stoppe værktøjet. Sluk for værktøjet efter arbejde i konstant funktion ved at trykke på knappen til variabel hastighed igen for at udløse den.

## Tilbehør

Værktøjets ydeevne afhænger af det anvendte tilbehør. Tilbehør fra Stanley Fat Max er fremstillet efter høje kvalitetsstandarder og er designet til at forbedre dit værktøjs præstation.

Når du bruger dette tilbehør, vil værktøjet yde optimalt.

## Vedligeholdelse

Dit Stanley Fat Max-apparat/værktøj med eller uden ledning er beregnet til brug gennem lang tid med et minimum af vedligeholdelse. Fortsat tilfredsstillende drift afhænger af korrekt behandling af værktøjet samt regelmæssig rengøring.

**Advarsel!** Før udførelse af nogen form for vedligeholdelse på elværktøj med/uden ledning:

- Sluk, og tag apparatets/værktøjets stik ud af stikkontakten.
- Eller sluk og fjern batteriet fra apparatet/værktøjet, hvis det har en separat batteripakke.
- Eller aflad batteriet helt, hvis det er indbygget, og sluk derefter.
- Træk laderen ud af stikkontakten, før den rengøres. Laderen kræver ingen vedligeholdelse, men skal rengøres jævnligt.
- Rengør jævnlige apparatets/værktøjets/laderens ventilationshuller med en blød børste eller en tør klud.
- Rengør med jævne mellemrum motorhuset med en fugtig klud. Der må ikke bruges skuremidler eller opløsningsmidler.
- Åbn jævnlige patronen, og bank på den for at fjerne indvendigt støv (hvis monteret).

## Udskiftning af stik (kun Storbritannien og Irland)

Sådan monteres et nyt stik:

- Det gamle stik skal bortskaffes på en sikker måde.
- Slut den brune ledning til den strømførende klemme på det nye stik.
- Slut den blå ledning til den neutrale klemme.

**Advarsel!** Der skal ikke foretages nogen tilslutning til jordklemmen. Følg de monteringsanvisninger, der leveres sammen med kvalitetsstik. Anbefalet sikring: 5 A.

## Miljøbeskyttelse



Separat bortskaffelse. Dette produkt må ikke bortskaffes sammen med almindeligt husholdningsaffald.

Når dit Stanley Fat Max-produkt en dag er udtjent, eller du ikke længere har brug for det, må du ikke smide det ud sammen med det almindelige affald. Produktet skal bortskaffes separat.



Ved separat bortskaffelse af brugte produkter og emballage bliver der mulighed for at genanvende forskellige materialer.

Genanvendelse af materialer medvirker til at forebygge miljøforurening og mindsker behovet for råstoffer.

Lokal lovgivning kan kræve separat indsamling af elektriske husholdningsapparater på kommunale affaldsdepoter eller af den detailhandlende ved køb af et nyt produkt.

Stanley Europe sørger for at indsamle og genanvende Stanley Fat Max-produkter, når disse ikke længere kan bruges. Hvis du vil benytte dig af denne service, skal du returnere produktet til et autoriseret værksted, der indsamler produkterne for os.

Kontakt det lokale Stanley Europe-kontor på den adresse, der er opgivet i denne vejledning, for at få oplysninger om nærmeste autoriserede værksted. En liste over alle autoriserede Stanley Europe-serviceværksteder samt servicevilkår og kontaktpersoner er tilgængelig på internettet på adressen: [www.2helpU.com](http://www.2helpU.com)

## Tekniske data

		FME142 (type 1)
Indgangsspænding	$V_{AC}$	230
Motoreffekt	W	850
Hastighed uden belastning	$\text{min}^{-1}$	0-1100 / 0-3100
Slaghastighed	$\text{min}^{-1}$	0-18,700 / 0-52,700
Maks. borekapacitet		
Beton	mm	18
Stål	mm	13
Træ	mm	50
Vægt	kg	2,5

Lydtrykniveau i henhold til EN 60745:
Lydtryk ( $L_{pA}$ ) 92 dB(A), usikkerhed (K) 3 dB(A)
Lydeffekt ( $L_{WA}$ ) 103 dB(A), usikkerhed (K) 3 dB(A)

Samlede værdier for vibration (triaksial vektorsum) i henhold til EN 60745:
Slagboring i beton ( $a_{h,D}$ ) 11 m/s <sup>2</sup> , usikkerhed (K) 1.5 m/s <sup>2</sup>
Boring i metal ( $a_{h,D}$ ) 1.5 m/s <sup>2</sup> , usikkerhed (K) 1.5 m/s <sup>2</sup>

## EU-overensstemmelseserklæring

### MASKINDIREKTIV



FME142 slagboremaskine

Stanley Europe erklærer, at produkterne beskrevet under "Tekniske data" er i overensstemmelse med: 2006/42/EF, EN60745-1:2009+A11:2010, EN60745-2-1:2010

Disse produkter er endvidere i overensstemmelse med direktiv 2014/30/EU og 2011/65/EU. Kontakt Stanley Europe på nedenstående adresse, eller se vejledningens bagside for at få flere oplysninger.

Kontakt Stanley Europe på nedenstående adresse, eller se vejledningens bagside for at få flere oplysninger.

Undertegnede er ansvarlig for udarbejdelsen af de tekniske data og fremsætter denne erklæring på vegne af Stanley Europe.

R. Laverick  
Engineering Director  
Stanley Europe, Egide Walschaertsstraat14-18,  
2800 Mechelen, Belgium  
28/02/2017

## Garanti

Stanley Europe garanterer, at produktet er fri for skader og fejl og tilbyder en fremragende garanti for erhvervsmæssige brugere af produktet. Garantien er et tillæg til forbrugers kontraktmæssige rettigheder og påvirker ikke disse som en privat ikke-erhvervsmæssig bruger. Garantien gælder inden for medlemsstaterne af den Europæiske Union og i det Europæiske Frihandelsområde.

## ET ÅRS FULD GARANTI

Hvis dit Stanley Fat Max-produkt går i stykker på grund af materiel skade eller fabriktionsfejl inden for 12 måneder fra købsdatoen, påtager Stanley Europe sig gratis at udskifte alle defekte dele eller efter vores skøn gratis at udskifte enheden forudsat at:

- ◆ Produktet ikke har været anvendt forkert og har været anvendt i overensstemmelse med brugervejledningen.
- ◆ Produktet ikke har været udsat for andet end almindelig slitage;
- ◆ Reparationer ikke er udført af uautoriserede personer;
- ◆ Købsbeviset kan fremvises.
- ◆ Hele Stanley Fat Max-produktet returneres med alle originale komponenter

Hvis du ønsker erstatning for skade, skal du kontakte forhandleren eller det nærmeste autoriserede Stanley Fat Max-værksted i Stanley Fat Max-kataloget eller kontakte dit lokale Stanley-kontor på den adresse, der er opgivet i denne vejledning. Der findes en liste over alle autoriserede Stanley Fat Max-serviceværksteder samt servicevilkår på følgende internetadresse: [www.stanley.eu/3](http://www.stanley.eu/3)

## Käyttötarkoitus

Stanley Fat Max -iskuporakone FME142 on tarkoitettu puun, metallin, muovin ja betonin poraamiseen sekä ruuvien kiinnittämiseen. Tämä työkalu on tarkoitettu ammattikäyttöön ja yksityiseen, ei ammattikäyttäjille.

## Turvallisuusohjeet

### Sähkötyökalujen yleiset turvavaroitukset



**Varoitus! Lue kaikki turvavaroitukset ja ohjeet.**

Alla olevien varoitusten ja ohjeiden noudattamisen laiminlyönti saattaa johtaa sähköiskun, tulipaloon ja/tai vakavaan loukkaantumiseen.

**Säästä kaikki varoitukset ja ohjeet tulevaa käyttöä varten.** Varoituksissa käytetty käsite "sähkötyökalu" tarkoittaa verkkokäyttöisiä sähkötyökaluja (joissa on verkkojohto) ja akkukäyttöisiä sähkötyökaluja (joissa ei ole verkkojohtoa).

#### 1. Työalueen turvallisuus

- Pidä työalue puhtaana ja hyvin valaistuna.** Työpaikan epäjärjestys tai valaisemattomat työalueet voivat johtaa tapaturmiin.
- Älä käytä sähkötyökalua räjähdysalttiissa ympäristössä, jossa on palavaa nestettä, kaasua tai pölyä.** Sähkötyökalu saa aikaan kipinöitä, jotka saattavat sytyttää pölyn tai höyryt.
- Pidä lapset ja sivulliset loitolla sähkötyökalua käyttäessäsi.** Voit menettää laitteen hallinnan, jos huomiosi suuntautuu muualle.

#### 2. Sähköturvallisuus

- Sähkötyökalun pistokkeen on sovittava pistorasiaan.** Pistoketta ei saa muuttaa millään tavalla. Älä käytä mitään pistorasiasovittimia maadoitettujen sähkötyökalujen kanssa. Alkuperäiset pistokkeet ja niille sopivat pistorasiat vähentävät sähköiskun vaaraa.
- Vältä koskettamasta maadoitettuja pintoja, kuten putkia, pattereita, liesiä tai jääkaappeja.** Sähköiskun vaara kasvaa, jos kehosi on maadoitettu.
- Älä altista sähkötyökalua sateelle tai kosteudelle.** Veden tunkeutuminen sähkötyökalun sisään lisää sähköiskun riskiä.
- Älä käsittele virtajohtoa kovakouraisesti. Älä käytä sitä sähkötyökalun kantamiseen, vetämiseen tai pistokkeen irrottamiseen pistorasiasta.** Pidä johto loitolla kuumuudesta, öljystä, terävistä reunoista ja liikkuvista osista. Vahingoittuneet tai sotkeutuneet johdot lisäävät sähköiskun vaaraa.
- Käyttäessäsi sähkötyökalua ulkona käytä ainoastaan ulkokäyttöön soveltuvaa jatkojohtoa.** Ulkokäyttöön

soveltuvan jatkojohdon käyttö pienentää sähköiskun vaaraa.

- Jos sähkötyökalua on välttämättä käytettävä kosteassa paikassa, käytä jännösvirtalaitteella (RCD) suojattua virtalähdettä.** Jännösvirtalaitteen käyttö vähentää sähköiskun vaaraa.

#### 3. Henkilöturvallisuus

- Keskity työskentelyysi ja noudata tervettä järkeä käyttäessäsi sähkötyökaluja. Älä käytä sähkötyökalua, jos olet väsynyt tai huumeiden, alkoholin tai lääkkeiden vaikutuksen alaisena.** Hetken tarkkaamattomuus sähkötyökalua käytettäessä saattaa johtaa vakavaan loukkaantumiseen.
- Käytä henkilökohtaisia suojavarusteita. Käytä aina suojalaseja.** Suojavarusteet, kuten hengityssuojain, luistamattomat turvajalkineet, kypärä ja kuulosuojaimet, pienentävät loukkaantumisriskiä, jos niitä käytetään tilanteen mukaan oikein.
- Vältä tahatonta käynnistämistä. Varmista, että kytkin on OFF-asennossa, ennen kuin liität laitteen virtalähteeseen ja/tai akkuun, nostat laitteen tai kannat sitä.** Onnettomuusvaara lisääntyy, jos kannat sähkötyökalua sormi käyttökytkimellä tai kytket työkalun virtajohtoon pistorasiaan, kun käyttökytkin on päällä.
- Irrota mahdollinen säätö- tai kiintoavain, ennen kuin käynnistät sahan.** Sahan pyöriivään osaan kiinni jäänyt avain voi johtaa loukkaantumiseen.
- Älä kurkota liian kauas. Seiso aina tukevasti ja tasapainossa.** Tällöin voit paremmin hallita sähkötyökalua yllättävissä tilanteissa.
- Käytä tarkoitukseen soveltuvia vaatteita. Älä käytä löysiä työvaatteita tai koruja. Pidä hiukset, vaatteet ja käsinet loitolla liikkuvista osista.** Väljät vaatteet, korut ja pitkät hiukset voivat takertua liikkuviin osiin.
- Jos laitteeseen voi kiinnittää pölynkerääjän tai -imurin, tarkista, että se on paikallaan ja että se toimii kunnolla.** Pölynimurin käyttö voi vähentää pölyn aiheuttamia vaaroja.

#### 4. Sähkötyökalujen käyttö ja hoito

- Älä ylikuormita sähkötyökalua. Käytä kyseiseen työhön tarkoitettua sähkötyökalua.** Sopivaa sähkötyökalua käyttäen työskentelet paremmin ja turvallisemmin tehoalueella, jolle sähkötyökalu on tarkoitettu.
- Älä käytä sähkötyökalua, jota ei voida käynnistää ja pysäyttää virtakytkimestä.** Jos sähkötyökalua ei voi käynnistää ja pysäyttää virtakytkimellä, se on vaarallinen ja se täytyy korjata.
- Irrota pistotulppa pistorasiasta ja/tai akku laitteesta, ennen kuin suoritat säätöjä, vaihdat tarvikkeita tai siirät sähkötyökalun varastoitavaksi.** Nämä

turvatoimenpiteet pienentävät sähkötyökalun tahattoman käynnistämisen riskiä.

- d. **Säilytä sähkötyökalut poissa lasten ulottuvilta, kun niitä ei käytetä. Älä anna sähkötyökalua sellaisen henkilön käyttöön, joka ei tunne sitä tai joka ei ole tutustunut tähän käyttöohjeeseen.** Sähkötyökalut ovat vaarallisia kokemattoman käyttäjän käsissä.
- e. **Hoida sähkötyökalusi huolella. Tarkista, että liikkuvat osat toimivat moitteettomasti ja etteivät ne ole puristuksessa. Tarkista myös, ettei työkalussa ei ole murtuneita tai vahingoittuneita osia, jotka saattaisivat vaikuttaa haitallisesti sen toimintaan. Korjauta mahdolliset viat ennen käyttöönottoa.** Moni tapaturma aiheutuu huonosti huolletuista laitteista.
- f. **Pidä leikkausterät terävinä ja puhtaina.** Huolellisesti hoidetut leikkausterät, joiden leikkausreunat ovat teräviä, eivät tartu helposti kiinni, ja niitä on helpompi hallita.
- g. **Käytä sähkötyökaluja, tarvikkeita, vaihtotyökaluja jne. näiden ohjeiden mukaisesti. Ota tällöin huomioon työolosuhteet ja suoritettava toimenpide.** Sähkötyökalun käyttö muuhun kuin sille määrättyyn käyttöön saattaa johtaa vaarallisiin tilanteisiin.

## 5. Huolto

- a. **Korjauta sähkötyökalu koulutetulla ja ammattitaitoisella henkilöllä ja hyväksy korjauksiin vain alkuperäisiä varaosia.** Siten varmistat, että sähkötyökalu säilyy turvallisena.

## Sähkötyökalujen lisäturvavaroitukset



**Varoitus!** Porien ja iskuporakoneiden lisäturvavaroitukset

- ◆ **Käytä kuulosuojaimia iskuporakonetta käyttäessäsi.** Altistuminen melulle voi aiheuttaa kuulovaurioita.
- ◆ **Käytä työkalun mukana toimitettuja apukahvoja.** Otteen menettäminen voi aiheuttaa tapaturman.
- ◆ **Pitele sähkötyökalua eristetyistä tartuntapinnoista tehdessäsi työtä, jossa työkalu voi joutua kosketuksiin piilossa olevien sähköjohtojen tai oman virtajohtonsa kanssa.** Työkalun kosketus jännitteisen johtimen kanssa voi tehdä myös työkalun paljaista metalliosista jännitteisiä ja aiheuttaa sähköiskun käyttäjälle.
- ◆ **Älä koskaan käytä talitöissä iskuporakoneilla.** Lisävaruste joutuu materiaaliin ja kiertää poraa.
- ◆ **Kiinnitä työstettävä kappale esimerkiksi ruuvipuristimella tukevaan alustaan.** Kappaleen kannatteleminen käsin tai sen tukeminen omaa vartaloa vasten voi johtaa kappaleen irtaamiseen ja vaaratilanteeseen.
- ◆ **Ennen kuin poraat seinä, lattiaa tai kattoja, tarkista sähköjohtojen ja putkien sijainti.**

- ◆ **Älä koske terään heti poraamisen jälkeen.** Terä saattaa olla kuuma.
- ◆ **Työkalun käyttötarkoitus on kuvattu tässä käyttöohjeessa.** Käytä työkalua ainoastaan sellaiseen työhön, johon se on tarkoitettu, ja käytä vain käyttöohjeessa ja tuotekuvastossa suositeltuja tarvikkeita ja lisälaitteita. Ohjeesta poikkeava käyttö voi aiheuttaa henkilö- ja/tai omaisuusvahinkoja.

## Muiden turvallisuus

- ◆ **Tätä laitetta ei ole tarkoitettu sellaisten henkilöiden käyttöön, joilla on fyysisiä tai älyllisiä rajoitteita tai aistirajoitteita, eikä laitteen toimintaan perehtymättömien henkilöiden käyttöön (lapset mukaan luettuina), paitsi valvonnan alaisina tai jos he ovat saaneet laitteen käyttöön liittyvää opastusta heidän turvallisuudestaan vastaavalta henkilöltä.**
- ◆ **Lapsia on valvottava ja heitä on estettävä leikkimästä laitteella.**

## Muut riskit.

Myös muut kuin turvavaroituksissa mainitut riskit ovat mahdollisia työkalua käytettäessä. Nämä riskit voivat liittyä muun muassa virheelliseen tai pitkäaikaiseen käyttöön. Tiettyjä jännännönsriskejä ei voi välttää, vaikka noudat kaikkia turvamääräyksiä ja käytät turvalaitteita. Näihin kuuluvat muun muassa

- ◆ pyörivien tai liikkuvien osien koskettamisen aiheuttamat vahingot
- ◆ osia, teriä tai lisävarusteita vaihdettaessa aiheutuneet vahingot
- ◆ työkalun pitkäaikaisen käytön aiheuttamat vahingot Kun käytät työkalua pitkään, varmista, että pidät säännöllisesti taukoja.
- ◆ kuulovauriot
- ◆ työkalua käytettäessä (esimerkiksi puuta, erityisesti tammea, pyökkiä ja MDF-levyjä, käsiteltäessä) syntyneen pölyn sisäänhengityksen aiheuttamat terveysriskit.

## Tärinä

Teknisissä tiedoissa ja vaatimustenmukaisuusilmoituksessa ilmoitetut tärinäpäästöarvot on mitattu standardin EN 60745 testausmenetelmän mukaisesti, ja niiden avulla voidaan vertailla työkaluja keskenään. Ilmoitettua tärinäpäästöarvoa voidaan käyttää myös altistumisen alustavaan arviointiin.

**Varoitus!** Sähkötyökalun käytön aikana mitattu todellinen tärinäpäästöarvo voi poiketa ilmoitetusta tärinäpäästöarvosta työkalun käyttötavan mukaan. Tärinätasoa voi olla ilmoitettu tasoa suurempi.

Kun tärinälle altistumista arvioidaan sen määrittämiseksi, mitä direktiivin 2002/44/EY mukaisia turvatoimenpiteitä vaaditaan sähkötyökaluja säännöllisesti käyttävien henkilöiden suojelemiseksi, tärinälle altistumisen arvioinnissa on otettava huomioon todelliset käyttöolosuhteet ja työkalun käyttötavat. Todellisen käytön lisäksi on kiinnitettävä huomiota myös siihen, milloin työkalu on sammutettuna tai se käy tyhjäkäynnillä.

### Laitteessa olevat merkinnät

Työkaluun on merkitty päivämääräkoodi sekä seuraavat varoitusmerkinnät:



**Varoitus!** Käyttäjän on luettava käyttöohje vahinkojen välttämiseksi.

### Sähköturvallisuus



Tämä työkalu on kaksoiseristetty, joten erillistä maadoitusta ei tarvita. Tarkista aina, että virtalähde vastaa arvokilvessä ilmoitettua jännitettä.

- ◆ Jos virtajohto vahingoittuu, sen vaihtaminen on turvallisuussyistä jätettävä valmistajan tai valtuutetun Stanley Fat Max -huoltoliikkeen tehtäväksi.

### Yleiskuvaus

Tässä työkalussa on joitakin tai kaikki seuraavista ominaisuuksista.

1. Nopeudensäätökytkin
2. Lukituspainike
3. Nopeudensäätönappi
4. Suunnanvaihtokytkin
5. Vaihteenvalitsin
6. Poraustavan valitsin
7. Istukka
8. Syvyysrajoitin
9. Sivukahva

### Kokoaminen

**Varoitus!** Varmista ennen kokoamista, että virta on katkaistu ja että virtajohto on irti pistoraslasta.

### Sivukahvan ja syvyysrajoittimen kiinnittäminen (kuva A)

- ◆ Kierrä kahvaa vastapäivään, kunnes voit työntää sivukahvan (9) työkalun eteen.
- ◆ Kierrä sivukahva haluttuun asentoon.
- ◆ Työnnä syvyysrajoitin (8) asennusreikään kuvan osoittamalla tavalla.
- ◆ Säädä porausryvyys alla kuvatulla tavalla.
- ◆ Kiristä sivukahva kiertämällä kahvaa myötäpäivään.

### Porausryvytyden asettaminen (kuva A)

- ◆ Löysää sivukahva (9) kiertämällä kahvaa vastapäivään.
- ◆ Säädä ryvytydenrajoitin (8) haluttuun kohtaan. Suurin porausryvytyys on sama kuin poranterän kärjen ja ryvytydenrajoittimen etuosan välinen etäisyys.
- ◆ Kiristä sivukahva kiertämällä kahvaa myötäpäivään.

### Lisävarusteen kiinnittäminen (kuva B)

- ◆ Avaa istukka kiertämällä sen etuosaa (11) yhdellä kädellä ja pitämällä kiinni takaosasta (13) toisella.
- ◆ Työnnä terän varsi (12) istukkaan ja kiristä istukka tukevasti.

### Käyttö

**Varoitus!** Anna työkalun käydä omaan tahtiinsa. Älä ylikuormita sitä.

**Varoitus!** Ennen kuin poraat seinä, lattiaa tai kattoja, tarkista sähköjohtojen ja putkien sijainti.

### Poraustavan valitseminen

- ◆ Kun poraat betonia, aseta käyttöasennon valitsin (6) asentoon **T1**.
- ◆ Kun poraat terästä, puuta ja muovaa, aseta käyttöasennon valitsin (6) asentoon **2**.

### Vaihteenvalitsin (kuva A)

- ◆ Kun poraat terästä ja kiinnität ruuveja, siirrä vaihteenvalitsin (5) asentoon 1 kohdistamalla nuoli (10) numeron 1 kanssa (1. vaihde).
- ◆ Kun poraat muuta kuin terästä, siirrä vaihteenvalitsin (5) asentoon 2 kohdistamalla nuoli (10) numeron 2 kanssa (2. vaihde).

### Pyörimissuunnan valitseminen

Käytä poraamiseen ja ruuvien kiristämiseen eteenpäin suuntautuvaa pyörimisliikettä (myötäpäivään). Käytä ruuvien irrottamiseen tai jumiutuneen poranterän irrottamiseen taaksepäin suuntautuvaa pyörimisliikettä (vastapäivään).

- ◆ Valitse pyörimissuunta eteenpäin työntämällä eteen-/taaksepäin-liikusäädintä (4) vasemmalle.
- ◆ Valitse pyörimissuunta taaksepäin työntämällä eteen-/taaksepäin-liikusäädintä oikealle.

**Varoitus!** Pyörimissuuntaa ei saa vaihtaa moottorin käydessä.

### Käynnistäminen ja pysäyttäminen

- ◆ Käynnistä työkalu painamalla nopeudensäätökytkintä (1). Työkalun nopeus määräytyy sen mukaan, kuinka pitkälle kytkintä työnnetään. Jos työkalussa on nopeudensäätönappi (3), aseta se halutulle nopeusalueelle. Yleissääntönä on, että matalat nopeudet sopivat halkaisijaltaan suurille poranterille ja suuret pienille poranterille.

- ◆ Jatkuvaa käyttöä varten paina lukituspainiketta (2) ja vapautaa nopeudensäätökytkin. Tämä vaihtoehto on käytettävissä vain täydellä nopeudella tai muulla nopeudella, joka on valittu nopeudensäätönupilla (3). Tämä vaihtoehto ei toimi taaksepäin.
- ◆ Sammuta työkalu vapauttamalla nopeudensäätökytkin. Sammuta työkalu jatkuvan käytön aikana painamalla nopeudensäätökytkintä uudelleen ja vapauttamalla se.

## Lisävarusteet

Työkalun suorituskyky riippuu käytetystä lisävarusteesta.

Stanley Fat Max -lisävarusteet on valmistettu korkealaatuisiksi ja suunniteltu parantamaan työkalun suorituskykyä. Käyttämällä näitä lisävarusteita saat työkalustasi parhaan hyödyn.

## Huolto

Verkkojohdolla varustettu tai verkkojohdoton Stanley Fat Max -laite/-työkalu on suunniteltu toimimaan mahdollisimman pitkään mahdollisimman vähällä huollolla. Oikealla huollolla ja säännöllisellä puhdistuksella työkalu säilyttää suorituskykynsä.

**Varoitus!** Toimi ennen verkkojohdolla varustetun tai verkkojohdoton sähkötyökalun huoltoa seuraavasti:

- ◆ Sammuta laite/työkalu ja irrota se verkkovirrasta.
- ◆ Jos laitteessa/työkalussa on erillinen akku, sammuta laite/työkalu ja irrota sen akku.
- ◆ Jos akku on kiinteä, käytä akku täysin loppuun ja sammuta laite/työkalu sitten.
- ◆ Irrota laturi pistorasiasta ennen laturin puhdistamista. Laturi ei tarvitse säännöllisen puhdistamisen lisäksi mitään muuta huoltoa.
- ◆ Puhdista laitteen/työkalun/laturin ilma-aukot säännöllisesti pehmeällä harjalla tai kuivalla kangasliinalla.
- ◆ Puhdista moottorin kotelo säännöllisesti kostealla rätillä. Älä koskaan käytä puhdistamiseen liuotainaineita tai syövyttäviä puhdistusaineita.
- ◆ Avaa istukka säännöllisesti ja naputtele pöly pois sen sisältä (soveltuvin osin).

## Virtapistokkeen vaihto (vain Iso-Britannia ja Irlanti)

Jos joudut vaihtamaan virtapistokkeen:

- ◆ Hävitä vanha pistoke ympäristöstävällisesti.
- ◆ Liitä ruskea johto uuden pistokkeen jännitteeseen napaan.
- ◆ Liitä sininen johto tähtipisteiliitimeen.

**Varoitus!** Maadoitusliittimeen ei liitetä johtoa. Noudata pistokkeen mukana toimitettuja kiinnitysohjeita. Suositeltava sulake: 5 A.

## Ympäristönsuojelu



Erillinen keräys. Tätä tuotetta ei saa hävittää normaalin kotitalousjätteen mukana.

Kun Stanley Fat Max -laitteesi aikanaan täytyy vaihtaa tai ei kelpaa enää käyttöön, älä hävitä laitetta kotitalousjätteen mukana. Toimita laite kierrätettäväksi.



Käytettyjen tuotteiden ja pakkausmateriaalien erilliskeruu avulla materiaalit voidaan kierrättää ja käyttää uudelleen. Kierrätysmateriaalien käyttö auttaa vähentämään ympäristön saastumista ja uusien raaka-aineiden tarvetta.

Paikallisissa säädöksissä voidaan määrätä, että kodin sähkötuotteiden keruu tapahtuu kaupunkien jätteidenkäsittelyasemilla tai laitteita myyvissä liikkeissä uuden tuotteen oston yhteydessä.

Stanley Europe kerää ja kierrättää Stanley Fat Max -tuotteet, kun ne ovat tulleet elinkaarensa loppuun. Vie tuotteesi valtuutettuun huoltoliikkeeseen, joka kerää vanhat laitteet puolestamme.

Saat valtuutettujen huoltoliikkeiden yhteystiedot ottamalla yhteyttä paikalliseen Stanley Europan toimipisteeseen tässä käyttöoppaassa ilmoitetussa osoitteessa. Valtuutettujen Stanley Europe -huoltoliikkeiden yhteystiedot sekä lisätietoja palveluistamme on myös Internetissä osoitteessa [www.2helpU.com](http://www.2helpU.com)

## Tekniset tiedot

FME142 (Tyyppi 1)		
Syöttöjännite	V <sub>AC</sub>	230
Ottoteho	W	850
Kuormittamaton nopeus	min <sup>-1</sup>	0-1100 / 0-3100
Iskutaajuus	min <sup>-1</sup>	0-18,700 / 0-52,700
Suurin mahdollinen porausteho		
Betoni	mm	18
Teräs	mm	13
Puu	mm	50
Paino	kg	2,5

Äänenpainetaso standardin EN 60745 mukaisesti:
Äänenpaine ( $L_{pA}$ ) 92 dB(A), epävarmuus (K) 3 dB(A)
Äänitehotaso ( $L_{WA}$ ) 103 dB(A), epävarmuus (K) 3 dB(A)

Tärinän kokonaisarvot (vektorisumma) standardin EN 60745 mukaisesti:
Iskuporattaessa betonia ( $a_{h,1D}$ ) 11 m/s <sup>2</sup> , epävarmuus (K) 1.5 m/s <sup>2</sup>
Porattaessa metallia ( $a_{h,D}$ ) 1.5 m/s <sup>2</sup> , epävarmuus (K) 1.5 m/s <sup>2</sup>

## EY-vaatimustenmukaisuusvakuutus KONEDIREKTIIVI



FME142 iskuporakone

Stanley Europe ilmoittaa, että tuotteet, jotka on kuvattu kohdassa Tekniset tiedot, täyttävät seuraavien direktiivien vaatimukset:

2006/42/EY, EN60745-1:2009+A11:2010, EN60745-2-1:2010

Nämä tuotteet täyttävät myös direktiivien 2014/30/EU ja 2011/65/EU vaatimukset. Lisätietoja saa ottamalla yhteyttä Stanley Europeen seuraavassa osoitteessa. Tiedot ovat myös käyttöoppaan takakannessa.

Lisätietoja saa ottamalla yhteyttä Stanley Europeen seuraavassa osoitteessa. Tiedot ovat myös käyttöoppaan takakannessa.

Allekirjoittanut vastaa teknisten tietojen kokoamisesta ja antaa tämän ilmoituksen Stanley European puolesta.

R. Laverick  
Engineering Director  
Stanley Europe, Egide Walschaertsstraat14-18,  
2800 Mechelen, Belgium  
28/02/2017

## Takuu

Stanley Europe takaa, ettei tuotteessa ole materiaali- ja/tai valmistusvikaa silloin, kun se toimitetaan ostajalle ammattikäyttöön. Takuu on lisäksi yksityisen ammattikäyttäjän sopimusoikeuksiin eikä se vaikuta niihin. Takuu on voimassa Euroopan unionin jäsenmaissa ja Euroopan vapaakauppa-alueella (EFTA).

## YHDEN VUODEN TÄYDELLINEN TAKUU

Mikäli Stanley Fat Max -tuotteessa ilmenee vika materiaali- ja/tai valmistusvirheen vuoksi 12 kuukauden kuluessa ostopäivästä, Stanley Europe takaa vaihtavansa vialliset osat tai koko tuotteen Stanley European valinnan mukaan ilman kustannuksia ostajalle edellyttäen, että

- ◆ tuotetta ei ole käytetty virheellisesti, vaan sitä on käytetty käyttöoppaan ohjeiden mukaisesti
- ◆ tuote on altistunut vain normaaliille kulumiselle
- ◆ tuotetta ei ole korjannut valtuuttamaton henkilö
- ◆ ostokuitti esitetään
- ◆ Stanley Fat Max -tuote palautetaan kaikkien alkuperäisten osien kanssa.

Jos haluat tehdä korvausvaatimuksen, ota yhteyttä ostopaikkaan tai katso lähimmän valtuutetun Stanley Fat Max -huoltoliikkeen yhteystiedot Stanley Fat Max -tuoteluettelosta tai ota yhteyttä paikalliseen Stanley-toimipisteeseen tässä ohjeessa kerrotussa osoitteessa. Valtuutettujen Stanley Fat Max -huoltoliikkeiden yhteystiedot sekä lisätietoja palveluistamme on myös Internetissä osoitteessa [www.stanley.eu/3](http://www.stanley.eu/3).



## Ενδεξιμένη χρήση

Το κρουστικό τρυπάνι FME142 της Stanley Fat Max έχει σχεδιαστεί για τη διάτρηση ξύλου, μετάλλου, πλαστικών και τοιχοποιίας, καθώς και για βίδωμα. Το εργαλείο αυτό προορίζεται για επαγγελματική και ιδιωτική, μη επαγγελματίες χρήστες.

## Οδηγίες ασφαλείας

### Γενικές προειδοποιήσεις ασφαλείας για τα ηλεκτρικά εργαλεία



**Προειδοποίηση! Διαβάστε όλες τις υποδείξεις και όλες τις οδηγίες.** Η μη τήρηση των παρακάτω προειδοποιήσεων και οδηγιών μπορεί να προκαλέσει ηλεκτροπληξία, πυρκαγιά ή/και σοβαρούς τραυματισμούς.

**Φυλάξτε όλες τις προειδοποιήσεις και τις οδηγίες για μελλοντική αναφορά.** Ο χαρακτηρισμός "ηλεκτρικό εργαλείο" που χρησιμοποιείται στις προειδοποιήσεις αφορά το εργαλείο που συνδέεται στην πρίζα (με καλώδιο) ή τα εργαλεία που λειτουργούν με μπαταρία (χωρίς καλώδιο).

#### 1. Ασφάλεια χώρου εργασίας

- a. Διατηρείτε το χώρο που εργάζεστε καθαρό και καλά φωτισμένο. Η αταξία στο χώρο εργασίας και τα σημεία χωρίς καλό φωτισμό μπορεί να οδηγήσουν σε ατυχήματα.
- b. Μη χρησιμοποιείτε ηλεκτρικά εργαλεία σε περιβάλλον όπου υπάρχει κίνδυνος έκρηξης, π.χ. παρουσία εύφλεκτων υγρών, αερίων ή σκόνης. Τα ηλεκτρικά εργαλεία μπορεί να δημιουργήσουν σπινθηρισμό ο οποίος μπορεί να αναφλέξει τη σκόνη ή τις αναθυμιάσεις.
- c. Όταν χρησιμοποιείτε το ηλεκτρικό εργαλείο, κρατάτε τα παιδιά και τα υπόλοιπα άτομα μακριά από το χώρο εργασίας. Σε περίπτωση που άλλα άτομα αποσπάσουν την προσοχή σας μπορεί να χάσετε τον έλεγχο του εργαλείου.

#### 2. Ασφαλής χρήση ηλεκτρικού ρεύματος

- a. Το φως του καλωδίου του ηλεκτρικού εργαλείου πρέπει να ταιριάζει στην αντίστοιχη πρίζα. Δεν επιτρέπεται με κανέναν τρόπο η μετασκευή του φως. Μη χρησιμοποιείτε προσαρμοστικά φως με γειωμένα ηλεκτρικά εργαλεία. Τα φως που δεν έχουν υποστεί τροποποιήσεις και οι κατάλληλες πρίζες μειώνουν τον κίνδυνο ηλεκτροπληξίας.
- b. Αποφύγετε την επαφή του σώματός σας με γειωμένες επιφάνειες όπως σωλήνες, θερμαντικά σώματα (καλοριφέρ), κουζίνες και ψυγεία. Όταν το σώμα σας είναι γειωμένο, αυξάνεται ο κίνδυνος ηλεκτροπληξίας.

- c. Μην εκθέτετε τα ηλεκτρικά εργαλεία στη βροχή ή την υγρασία. Η εισχώρηση νερού στο ηλεκτρικό εργαλείο αυξάνει τον κίνδυνο ηλεκτροπληξίας.
- d. Μην κακομεταχειρίζεστε το καλώδιο. Μη χρησιμοποιείτε ποτέ το καλώδιο για να μεταφέρετε το εργαλείο, να το τραβήξετε ή να το αποσυνδέσετε από την πρίζα. Κρατάτε το καλώδιο μακριά από θερμότητα, λάδια, αιχμηρά άκρα ή κινούμενα μέρη. Τυχόν χαλασμένα ή περδεδεμένα καλώδια αυξάνουν τον κίνδυνο ηλεκτροπληξίας.
- e. Όταν χρησιμοποιείτε το ηλεκτρικό εργαλείο σε εξωτερικούς χώρους, να χρησιμοποιείτε πάντοτε καλώδια προέκτασης κατάλληλα για χρήση σε εξωτερικούς χώρους. Η χρήση προεκτάσεων κατάλληλων για εργασία σε εξωτερικούς χώρους μειώνει τον κίνδυνο ηλεκτροπληξίας.
- f. Εάν η χρήση ενός ηλεκτρικού εργαλείου σε μία υγρή τοποθεσία είναι αναπόφευκτη, χρησιμοποιήστε μια Διάταξη Προστασίας Ρεύματος Διαρροής (RCD). Η χρήση μιας διάταξης RCD μειώνει τον κίνδυνο ηλεκτροπληξίας.

#### 3. Ασφάλεια προσώπων

- a. Όταν χρησιμοποιείτε το ηλεκτρικό εργαλείο, να είστε προσεκτικοί, να δίνετε προσοχή στην εργασία που κάνετε και να επιστρατεύετε την κοινή λογική. Μη χρησιμοποιείτε το ηλεκτρικό εργαλείο όταν είστε κουρασμένοι ή όταν βρισκόσαστε υπό την επήρεια ναρκωτικών, οινοπνεύματος ή φαρμάκων. Μια στιγμή απροσεξία κατά το χειρισμό του ηλεκτρικού εργαλείου μπορεί να οδηγήσει σε σοβαρούς τραυματισμούς.
- b. Να χρησιμοποιείτε εξοπλισμό προσωπικής προστασίας. Να φοράτε πάντα προστατευτικά γυαλιά. Ο κίνδυνος τραυματισμών μειώνεται όταν χρησιμοποιείτε εξοπλισμό προστασίας, όπως μάσκα προστασίας από σκόνη, αντιλιοθητικά παπούτσια ασφαλείας, κράνη ή ωαποπίδες, ανάλογα με τις συνθήκες εργασίας.
- c. Αποφύγετε την ακούσια ενεργοποίηση. Βεβαιωθείτε ότι ο διακόπτης λειτουργίας βρίσκεται στη θέση "OFF" πριν συνδέσετε το εργαλείο στην πρίζα ή/και τοποθετήσετε την μπαταρία, πριν το σηκώσετε ή το μεταφέρετε. Η μεταφορά ηλεκτρικών εργαλείων με το δάχτυλό σας επάνω στο διακόπτη ή η σύνδεση ηλεκτρικών εργαλείων στην πρίζα ενώ ο διακόπτης βρίσκεται στη θέση ενεργοποίησης, ενέχει κινδύνους πρόκλησης ατυχημάτων.
- d. Πριν θέσετε το ηλεκτρικό εργαλείο σε λειτουργία, αφαιρέστε τυχόν εργαλεία ή κλειδιά ρύθμισης. Εάν αφήσετε ένα εργαλείο ή κλειδί πάνω σε κάποιο περιστρεφόμενο εξάρτημα του ηλεκτρικού εργαλείου μπορεί να προκληθούν τραυματισμοί.

- e. Μην τεντώνεστε. Φροντίστε πάντοτε να έχετε την κατάλληλη στάση και να διατηρείτε την ισορροπία σας. Αυτό σας επιτρέπει τον καλύτερο έλεγχο του ηλεκτρικού εργαλείου σε περιπτώσεις απροσδόκητων καταστάσεων.
- f. Φοράτε κατάλληλη ενδυμασία εργασίας. Μη φοράτε φαρδιά ρούχα ή κοσμήματα. Κρατάτε τα μαλλιά, τα ενδύματα και τα γάντια σας μακριά από τα κινούμενα εξαρτήματα. Τα φαρδιά ρούχα, τα κοσμήματα και τα μακριά μαλλιά μπορεί να εμπλακούν στα κινούμενα εξαρτήματα.
- g. Αν προβλέπονται διατάξεις απαγωγής και συλλογής της σκόνης, βεβαιωθείτε ότι είναι συνδεδεμένες και ότι χρησιμοποιούνται σωστά. Η χρήση τέτοιων διατάξεων μειώνει τους κινδύνους που προέρχονται από τη σκόνη.
4. Χρήση και συντήρηση του ηλεκτρικού εργαλείου
- a. Μην υπερφορτώνετε το ηλεκτρικό εργαλείο. Χρησιμοποιείτε για την εκάστοτε εργασία σας το ηλεκτρικό εργαλείο που προορίζεται γι' αυτήν. Με το κατάλληλο ηλεκτρικό εργαλείο, εργάζεστε καλύτερα και ασφαλέστερα στην ονομαστική περιοχή ισχύος του.
- b. Μη χρησιμοποιήσετε ποτέ ένα ηλεκτρικό εργαλείο του οποίου ο διακόπτης λειτουργίας είναι χαλασμένος. Ένα ηλεκτρικό εργαλείο του οποίου η λειτουργία δεν μπορεί να ελεγχθεί με το διακόπτη είναι επικίνδυνο και πρέπει να επισκευαστεί.
- c. Βγάλετε το φως από την πρίζα ή/και την μπαταρία από το ηλεκτρικό εργαλείο, πριν διεξαγάγετε κάποια εργασία ρύθμισης, πριν αλλάξετε κάποιο εξάρτημα ή όταν πρόκειται να αποθηκεύσετε τα ηλεκτρικά εργαλεία. Αυτά τα προληπτικά μέτρα ασφαλείας μειώνουν τον κίνδυνο να θεθεί το εργαλείο ακούσια σε λειτουργία.
- d. Να φυλάτε τα ηλεκτρικά εργαλεία που δε χρησιμοποιείτε μακριά από παιδιά. Μην αφήνετε άτομα που δεν είναι εξοικειωμένα με το ηλεκτρικό εργαλείο ή που δεν έχουν διαβάσει αυτές τις οδηγίες χρήσης να το χρησιμοποιήσουν. Τα ηλεκτρικά εργαλεία είναι επικίνδυνα όταν χρησιμοποιούνται από άπειρα άτομα.
- e. Να συντηρείτε τα ηλεκτρικά εργαλεία. Ελέγξτε εάν τα κινούμενα εξαρτήματα είναι σωστά ευθυγραμμισμένα ή αν έχουν μπλοκάρει, εάν έχουν σπάσει κομμάτια και εάν πληρούνται όλες οι υπόλοιπες προϋποθέσεις που ενδεχομένως να επηρεάσουν τη σωστή λειτουργία του εργαλείου. Δώστε τυχόν χαλασμένα εξαρτήματα του ηλεκτρικού εργαλείου για επισκευή πριν το χρησιμοποιήσετε πάλι. Η ανεπαρκής συντήρηση των ηλεκτρικών εργαλείων αποτελεί αιτία πολλών ατυχημάτων.

- f. Διατηρείτε τα κοπτικά εργαλεία κοφτερά και καθαρά. Τα κοπτικά εργαλεία με αιχμηρά κοπτικά άκρα που συντηρούνται σωστά έχουν λιγότερες πιθανότητες να μπλοκάρουν και ελέγχονται ευκολότερα.
- g. Να χρησιμοποιείτε τα ηλεκτρικά εργαλεία, τα εξαρτήματα και τα άκρα των εργαλείων κλπ. σύμφωνα με τις παρούσες οδηγίες, λαμβάνοντας υπόψη σας τις συνθήκες εργασίας και την εργασία που θέλετε να εκτελέσετε. Η χρήση του ηλεκτρικού εργαλείου για εργασίες πέρα από τις προβλεπόμενες μπορεί να οδηγήσει σε επικίνδυνες καταστάσεις.
5. Σέρβις
- a. Το σέρβις του ηλεκτρικού σας εργαλείου πρέπει να αναλαμβάνει έμπειρος τεχνικός που θα χρησιμοποιεί μόνο γνήσια ανταλλακτικά. Έτσι εξασφαλίζεται η διατήρηση της ασφάλειας του ηλεκτρικού εργαλείου.

### Συμπληρωματικές προειδοποιήσεις ασφαλείας για τα ηλεκτρικά εργαλεία



**Προειδοποίηση!** Συμπληρωματικές προειδοποιήσεις ασφαλείας για τρυπάνια και κρουστικά τρυπάνια

- ◆ Όταν χρησιμοποιείτε κρουστικά τρυπάνια, να φοράτε αυτιάσπιδες. Η έκθεση σε θόρυβο μπορεί να προκαλέσει απώλεια της ακοής.
- ◆ Χρησιμοποιείτε τις βοηθητικές λαβές που παρέχονται μαζί με το εργαλείο. Η απώλεια ελέγχου μπορεί να προκαλέσει τραυματισμό.
- ◆ Κρατάτε το ηλεκτρικό εργαλείο από τις μονωμένες επιφάνειες συγκράτησης όταν εκτελείτε κάποια εργασία κατά την οποία το εξάρτημα κοπής μπορεί να έρθει σε επαφή με κρυμμένα καλώδια ή με το δικό του καλώδιο. Ένα εξάρτημα κοπής το οποίο έρχεται σε επαφή με ηλεκτροφόρο καλώδιο μπορεί να καταστήσει και τα εκτεθειμένα μεταλλικά μέρη του ηλεκτρικού εργαλείου ηλεκτροφόρα και να προκαλέσει ηλεκτροπληξία στο χειριστή του.
- ◆ Ποτέ μη χρησιμοποιείτε το εξάρτημα σμίλευσης σε περιστροφική λειτουργία. Το εξάρτημα θα ακινητοποιηθεί μέσα στο υλικό και θα περιστρέψει το δράπανο.
- ◆ Χρησιμοποιείτε σφιγκτήρες ή άλλα πρακτικά μέσα για να ασφαλίσετε και να στηρίξετε το προς επεξεργασία αντικείμενο σε μια σταθερή βάση. Η συγκράτηση του αντικείμενου με το χέρι ή επάνω στο σώμα σας το καθιστά ασταθές και μπορεί να οδηγήσει σε απώλεια του ελέγχου.
- ◆ Πριν τη διάτρηση τοίχων, δαπέδων ή ταβανιών, ελέγχετε για τυχόν διερχόμενα καλώδια και σωλήνες.
- ◆ Αποφεύγετε να αγγίξετε την άκρη του τρυπανιού αμέσως μετά τη διάτρηση, καθώς μπορεί να καίει.

- ◆ Η ενδειγμένη χρήση περιγράφεται στο παρόν εγχειρίδιο οδηγιών. Η χρήση οποιοδήποτε αξεσουάρ ή προσαρτήματος ή η εκτέλεση με αυτό το εργαλείο οποιασδήποτε άλλης εργασίας πέραν από αυτές που συνιστώνται στο παρόν εγχειρίδιο οδηγιών ενδέχεται να εγκυμονεί κίνδυνο τραυματισμού ή/και υλικών ζημιών.

### Ασφάλεια τρίτων

- ◆ Αυτό το εργαλείο δεν προορίζεται για χρήση από άτομα (στα οποία περιλαμβάνονται και τα παιδιά) με μειωμένες φυσικές, αντιληπτικές ή διανοητικές ικανότητες ή άτομα χωρίς εμπειρία και γνώσεις, παρά μόνο εφόσον επιτηρούνται ή τους έχουν δοθεί οδηγίες σχετικά με τη χρήση του εργαλείου από άτομο υπεύθυνο για την ασφάλειά τους.
- ◆ Τα παιδιά πρέπει να επιτηρούνται για να διασφαλίζεται ότι δεν παίζουν με τη συσκευή.

### Αναπόφευκτοι κίνδυνοι.

Μπορεί να προκληθούν επιπρόσθετοι αναπόφευκτοι κίνδυνοι όταν χρησιμοποιείτε το εργαλείο, οι οποίοι μπορεί να μην συμπεριλαμβάνονται στις προειδοποιηθείσες ασφαλείας που εσωκλείονται. Αυτοί οι κίνδυνοι μπορεί να προκληθούν από κακή χρήση, παρατεταμένη χρήση κτλ.

Ακόμα και με την τήρηση των σχετικών κανονισμών ασφαλείας και τη χρήση μέσων προστασίας, ορισμένοι κίνδυνοι δεν είναι δυνατόν να εξαλειφθούν. Αυτοί περιλαμβάνουν:

- ◆ Τραυματισμούς από το άγγιγμα των περιστρεφόμενων/κινούμενων εξαρτημάτων.
- ◆ Τραυματισμούς από αλλαγή οποιωνδήποτε εξαρτημάτων, λεπίδων ή αξεσουάρ.
- ◆ Τραυματισμούς από παρατεταμένη χρήση του εργαλείου. Όταν χρησιμοποιείτε οποιοδήποτε εργαλείο για παρατεταμένες χρονικές περιόδους βεβαιωθείτε ότι κάνετε τακτικά διαλείμματα.
- ◆ Προβλήματα ακοής.
- ◆ Κίνδυνοι στην υγεία που προκαλούνται από την εισπνοή σκόνης όταν χρησιμοποιείτε το εργαλείο (παραδείγματα: - όταν επεξεργάζεστε ξύλο, ειδικά δρυς, οξιά και MDF.)

### Δόνηση

Η δηλωμένη τιμή εκπομπής δόνησης που αναφέρεται στα τεχνικά χαρακτηριστικά και τη δήλωση συμμόρφωσης έχει μετρηθεί σύμφωνα με μια τυποποιημένη μέθοδο δοκιμής που παρέχεται από το πρότυπο EN 60745 και μπορεί να χρησιμοποιηθεί για τη σύγκριση ενός εργαλείου με ένα άλλο. Η δηλωμένη τιμή εκπομπής δόνησης μπορεί επίσης να χρησιμοποιηθεί σε έναν προκαταρκτικό προσδιορισμό της έκθεσης.

**Προειδοποίηση!** Η τιμή εκπομπής δόνησης κατά την πραγματική χρήση του ηλεκτρικού εργαλείου μπορεί να διαφέρει από τη δηλωμένη τιμή, ανάλογα με το τρόπο που χρησιμοποιείται το εργαλείο. Η στάθμη δόνησης μπορεί να αυξηθεί πάνω από τη στάθμη που έχει δηλωθεί.

Κατά τον προσδιορισμό της έκθεσης σε δόνηση για τον καθορισμό των απαιτούμενων μέτρων ασφαλείας σύμφωνα με την οδηγία 2002/44/EK για την προστασία προσώπων που χρησιμοποιούν συχνά ηλεκτρικά εργαλεία στην εργασία τους, μια προσεγγιστική εκτίμηση της έκθεσης σε δόνηση πρέπει να λαμβάνει υπόψη τις πραγματικές συνθήκες χρήσης και τον τρόπο χρήσης του εργαλείου, συμπεριλαμβανομένων και όλων των επιμέρους τμημάτων του κύκλου εργασίας, όπως, πόσες φορές τέθηκε το εργαλείο εκτός λειτουργίας, πότε είναι σε λειτουργία χωρίς φορτίο επιπρόσθετα στο χρόνο πίεσης της σκανδάλης.

### Ετικέτες στο εργαλείο

Το εργαλείο φέρει τα παρακάτω προειδοποιητικά σύμβολα μαζί με τον κωδικό ημερομηνίας:



**Προειδοποίηση!** Για να μειωθεί ο κίνδυνος τραυματισμού, ο χρήστης πρέπει να διαβάσει το εγχειρίδιο οδηγιών.

### Ασφαλής χρήση ηλεκτρικού ρεύματος



Αυτό το εργαλείο διαθέτει διπλή μόνωση, επομένως δεν απαιτείται καλώδιο γείωσης. Ελέγχετε πάντοτε αν η τάση τροφοδοσίας αντιστοιχεί σε αυτήν που αναγράφεται στην πινακίδα τεχνικών χαρακτηριστικών.

- ◆ Αν το καλώδιο ρεύματος έχει υποστεί φθορά, πρέπει να αντικατασταθεί από τον κατασκευαστή ή από ένα εξουσιοδοτημένο κέντρο επισκευών της Stanley Fat Max, ώστε να μην αποτελέσει κίνδυνο.

### Χαρακτηριστικά

Η συσκευή αυτή διαθέτει μερικά ή όλα από τα παρακάτω χαρακτηριστικά.

1. Διακόπτης μεταβλητής ταχύτητας
2. Κουμπί συνεχόμενης λειτουργίας
3. Μπουτόν ελέγχου μεταβλητής ταχύτητας
4. Διακόπτης κίνησης προς τα εμπρός/πίσω
5. Επιλογέας δύο ταχυτήτων
6. Επιλογέας τρόπου διάτρησης
7. Σφιγκτήρας τρυπανιού (τσοκ)
8. Αναστολέας βάθους
9. Πλευρική λαβή

## Συναρμολόγηση

**Προειδοποίηση!** Πριν από τη συναρμολόγηση, βεβαιωθείτε ότι το εργαλείο είναι απενεργοποιημένο και ότι το φως δεν είναι στην πρίζα.

### Τοποθέτηση της πλευρικής λαβής και του αναστολέα βάθους (εικ. Α)

- ◆ Περιστρέψτε τη λαβή αριστερόστροφα μέχρι να μπορείτε να περάσετε την πλευρική λαβή (9) στο εμπρός μέρος του εργαλείου.
- ◆ Περιστρέψτε την πλευρική λαβή στην επιθυμητή θέση.
- ◆ Εισαγάγετε τον αναστολέα βάθους (8) στην οπή τοποθέτησής του όπως φαίνεται.
- ◆ Ρυθμίστε το βάθος διάτρησης όπως περιγράφεται παρακάτω.
- ◆ Σφίξτε την πλευρική λαβή περιστρέφοντας τη λαβή δεξιόστροφα.

### Ρύθμιση του βάθους διάτρησης (εκ. Α)

- ◆ Χαλαρώστε την πλευρική λαβή (9) περιστρέφοντας τη λαβή αριστερόστροφα.
- ◆ Θέστε τον αναστολέα βάθους (8) στη θέση που επιθυμείτε. Το μέγιστο βάθος διάτρησης είναι ίσο με την απόσταση μεταξύ του άκρου της μύτες τους τρυπανιού και του εμπρός μέρους του αναστολέα βάθους.
- ◆ Σφίξτε την πλευρική λαβή περιστρέφοντας τη λαβή δεξιόστροφα.

### Τοποθέτηση εξαρτήματος (εικ. Β)

- ◆ Ανοίξτε το τσοκ περιστρέφοντας το εμπρός τμήμα (11) με το ένα χέρι ενώ συγκρατείτε το πίσω μέρος (13) με το άλλο.
- ◆ Τοποθετήστε τον άξονα της μύτες (12) στο τσοκ και σφίξτε καλά το τσοκ.

## Χρήση

**Προειδοποίηση!** Αφήστε το εργαλείο να λειτουργήσει με το δικό του ρυθμό. Μην το υπερφορτώνετε.

**Προειδοποίηση!** Πριν τη διάτρηση τοίχων, δαπέδων ή ταβανιών, ελέγχετε για τυχόν διερχόμενα καλώδια και σωλήνες.

### Επιλογή τρόπου διατήρησης

- ◆ Για κρουστική διάτρηση σε τοιχοποιία και σκυρόδεμα, θέστε τον επιλογέα τρόπου λειτουργίας(6) στη θέση **T1** position
- ◆ Για διάτρηση σε χάλυβα, ξύλο και πλαστικό, θέστε τον επιλογέα τρόπου λειτουργίας (6) στη θέση **2** .

### Επιλογέας δύο ταχυτήτων (εικ. Α)

- ◆ Για διάτρηση σε χάλυβα και για εφαρμογές βιδώματος, περιστρέψτε τον επιλογέα δύο ταχυτήτων (5) στη θέση 1 ευθυγραμμίζοντας το βέλος (10) με τον αριθμό 1 (1η ταχύτητα).
- ◆ Για διάτρηση σε υλικά άλλα από χάλυβα, περιστρέψτε τον επιλογέα δύο ταχυτήτων (5) στη θέση 2 ευθυγραμμίζοντας το βέλος (10) με τον αριθμό 2 (2η ταχύτητα).

### Επιλογή της κατεύθυνσης περιστροφής

Για διάτρηση και για να σφίγγετε βίδες, χρησιμοποιήστε την προς τα εμπρός (δεξιόστροφη) περιστροφή. Για να χαλαρώνετε βίδες και για την αφαίρεση μιας μύτες τρυπανιού που έχει κολλήσει χρησιμοποιήστε την ανάστροφη (αριστερόστροφη) περιστροφή.

- ◆ Για επιλογή της προς τα εμπρός περιστροφής, πιέστε τον ολισθητήρα κίνησης προς τα εμπρός/πίσω(4)στα αριστερά.
- ◆ Για επιλογή της ανάστροφης περιστροφής, πιέστε τον ολισθητήρα κίνησης προς τα εμπρός/πίσω στα δεξιά.

**Προειδοποίηση!** Ποτέ μην αλλάζετε την κατεύθυνση περιστροφής όταν το μοτέρ βρίσκεται σε λειτουργία.

### Ενεργοποίηση και απενεργοποίηση του εργαλείου

- ◆ Για να ενεργοποιήσετε το εργαλείο, πιέστε το διακόπτη μεταβλητής ταχύτητας (1). Η ταχύτητα λειτουργίας του εργαλείου εξαρτάται από το πόσο πιέζετε το διακόπτη. Εάν το εργαλείο διαθέτει μπουτόν ελέγχου μεταβλητής ταχύτητας (3), ρυθμίστε το στην απαιτούμενη βαθμίδα ταχύτητας. Σα γενικός κανόνας, χρησιμοποιήστε χαμηλές ταχύτητες για μύτες τρυπανιού μεγάλης διαμέτρου και υψηλές ταχύτητες για μικρότερης διαμέτρου μύτες τρυπανιού.
- ◆ Για συνεχή λειτουργία, πατήστε το κουμπί συνεχόμενης λειτουργίας (2) και αφήστε ελεύθερο το διακόπτη μεταβλητής ταχύτητας. Η επιλογή αυτή είναι διαθέσιμη μόνο με τη μέγιστη ταχύτητα ή σε οποιαδήποτε ταχύτητα προρυθμιστεί με το μπουτόν ελέγχου μεταβλητής ταχύτητας (3). Η επιλογή αυτή δεν λειτουργεί στην περιστροφή προς τα πίσω.
- ◆ Για να απενεργοποιήσετε το εργαλείο, απελευθερώστε το διακόπτη μεταβλητής ταχύτητας. Για να απενεργοποιήσετε το εργαλείο όταν βρίσκεται σε συνεχόμενη λειτουργία, πατήστε το διακόπτη μεταβλητής ταχύτητας ακόμη μία φορά και αφήστε τον ελεύθερο.

## Αξεσουάρ

Η απόδοση του εργαλείου σας εξαρτάται από τα αξεσουάρ που χρησιμοποιούνται. Τα αξεσουάρ της Stanley Fat Max έχουν κατασκευαστεί μηχανικά με πρότυπα υψηλής ποιότητας και είναι σχεδιασμένα για να ενισχύουν την απόδοση του εργαλείου σας. Χρησιμοποιώντας αυτά τα αξεσουάρ θα λάβετε τη μέγιστη απόδοση από το εργαλείο σας.

## Συντήρηση

Αυτή η συσκευή/εργαλείο με καλώδιο/χωρίς καλώδιο της Stanley Fat Max έχει σχεδιαστεί έτσι ώστε να λειτουργεί για μεγάλο χρονικό διάστημα με την ελάχιστη δυνατή συντήρηση. Η αδιάλειπτη και ικανοποιητική λειτουργία εξαρτάται από τη σωστή φροντίδα του εργαλείου και τον τακτικό καθαρισμό του.

**Προειδοποίηση!** Πριν πραγματοποιήσετε οποιαδήποτε συντήρηση σε ηλεκτρικά εργαλεία με καλώδιο/χωρίς καλώδιο:

- ◆ Απενεργοποιήστε και αποσυνδέστε τη συσκευή/εργαλείο από την πρίζα.
- ◆ Η απενεργοποίησή και αφαιρέστε την μπαταρία από τη συσκευή/εργαλείο εάν η συσκευή/εργαλείο διαθέτει ξεχωριστή μπαταρία.
- ◆ Ή χρησιμοποιήστε την μπαταρία μέχρι να αδειάσει εντελώς και στη συνέχεια απενεργοποιήστε.
- ◆ Πριν καθαρίσετε το φορτιστή, αποσυνδέστε τον από την πρίζα. Ο φορτιστής σας δεν απαιτεί κάποια συντήρηση εκτός του τακτικού καθαρισμού.
- ◆ Να καθαρίζετε τακτικά τις εγχοπές εξερισμού της συσκευής/εργαλείου/φορτιστή με μια μαλακή βούρτσα ή με ένα στεγνό πανί.
- ◆ Να καθαρίζετε τακτικά το περίβλημα του μοτέρ με ένα υγρό πανί. Μη χρησιμοποιείτε λειαντικά ή υγρά καθαρισμού που περιέχουν διαλυτικά.
- ◆ Να ανοίγετε τακτικά το τσοκ και να το χτυπάτε ελαφρά για να αφαιρείται η σκόνη από το εσωτερικό του (εφόσον εφαρμόζεται).

## Αντικατάσταση του ρευματολήπτη (H.B. & Ιρλανδία μόνο)

Αν χρειαστεί να εγκαταστήσετε έναν καινούριο ρευματολήπτη (φίς):

- ◆ Απορρίψτε με ασφαλή τρόπο το παλιό φίς.
- ◆ Συνδέστε τον καφέ αγωγό στον ηλεκτροφόρο ακροδέκτη του νέου ρευματολήπτη.
- ◆ Συνδέστε τον μπλε αγωγό στον ουδέτερο ακροδέκτη.

**Προειδοποίηση!** Δε χρειάζεται καμία σύνδεση στον ακροδέκτη γείωσης. Ακολουθήστε τις οδηγίες τοποθέτησης που παρέχονται με τους καλής ποιότητας ρευματολήπτες (φίς). Προτεινόμενη ασφάλεια τήξης: 5 A.

## Προστασία του περιβάλλοντος



Επιλεκτική περισυλλογή. Αυτό το προϊόν δεν πρέπει να απορρίπτεται μαζί με τα κοινά οικιακά απορρίμματα.

Εάν κάποια μέρα διαπιστώσετε ότι το προϊόν σας Stanley Fat Max χρειάζεται αντικατάσταση ή ότι δεν το χρειάζεστε άλλο, μην το απορρίψετε μαζί με τα κοινά οικιακά απορρίμματα αλλά διαθέστε αυτό το προϊόν για ξεχωριστή περισυλλογή.



Η ξεχωριστή περισυλλογή των μεταχειρισμένων προϊόντων και των υλικών συσκευασίας επιτρέπει την ανακύκλωση και επαναχρησιμοποίηση των υλικών.

Με την επαναχρησιμοποίηση των ανακυκλωμένων υλικών αποτρέπεται η μόλυνση του περιβάλλοντος και μειώνεται η ζήτηση πρώτων υλών.

Οι κανονισμοί που ισχύουν στην περιοχή σας ενδέχεται να προβλέπουν την ξεχωριστή περισυλλογή των ηλεκτρικών συσκευών που προέρχονται από νοικοκυριά σε δημοτικές εγκαταστάσεις ή από τον έμπορο όταν αγοράσετε ένα καινούριο προϊόν.

Η Stanley Europe δίνει τη δυνατότητα ανακύκλωσης των προϊόντων της Stanley Fat Max που έχουν συμπληρώσει τη διάρκεια ζωής τους. Για να χρησιμοποιήσετε αυτή την υπηρεσία, επιστρέψτε το προϊόν σας σε οποιοδήποτε εξουσιοδοτημένο κέντρο επισκευών, όπου θα το παραλάβουν εκ μέρους μας.

Ενημερωθείτε για το πλησιέστερο εξουσιοδοτημένο κέντρο επισκευών της περιοχής σας, επικοινωνώντας με τα γραφεία της Stanley Europe στη διεύθυνση που αναγράφεται στο εγχειρίδιο. Επίσης, μια λίστα με τα εξουσιοδοτημένα κέντρα επισκευών της Stanley Europe και πλήρεις λεπτομέρειες για τις υπηρεσίες που παρέχονται μετά την πώληση καθώς και στοιχεία επικοινωνίας υπάρχουν στο Διαδίκτυο, στη διεύθυνση: [www.2helpU.com](http://www.2helpU.com)

## Τεχνικά χαρακτηριστικά

FME142 (Τύπος 1)		
Τάση εισόδου	$V_{AC}$	230
Ισχύς εισόδου	W	850
Ταχύτητα χωρίς φορτίο	$\text{min}^{-1}$	0-1100 / 0-3100
Ρυθμός κρούσης	$\text{min}^{-1}$	0-18,700 / 0-52,700
Μέγ. ικανότητα διάτρησης		
Σκυροδέμα	mm	18
Χάλυβας	mm	13
Ξύλο	mm	50
Βάρος	kg	2.5

## Δήλωση συμμόρφωσης ΕΚ

ΟΔΗΓΙΑ ΠΕΡΙ ΜΗΧΑΝΗΜΑΤΩΝ



FME142 κρουστικό τρυπάνι

Η Stanley Europe δηλώνει ότι τα προϊόντα αυτά που περιγράφονται στα "τεχνικά χαρακτηριστικά" συμμορφώνονται με:  
2006/42/ΕΚ, EN60745-1:2009+A11:2010, EN60745-2-1:2010

Αυτά τα προϊόντα συμμορφώνονται επίσης με την οδηγία 2014/30/ΕΥ και 2011/65/ΕΕ. Για περισσότερες πληροφορίες, παρακαλείστε να επικοινωνήσετε με την Stanley Europe στην παρακάτω διεύθυνση ή να ανατρέξετε στο πίσω μέρος του εγχειριδίου.

Για περισσότερες πληροφορίες, παρακαλείστε να επικοινωνήσετε με την Stanley Europe στην παρακάτω διεύθυνση ή να ανατρέξετε στο πίσω μέρος του εγχειριδίου.

Ο κάτωθι υπογεγραμμένος είναι υπεύθυνος για την κατάρτιση του τεχνικού φακέλου και δηλώνει τα παρόντα εκ μέρους της Stanley Europe.

R. Laverick  
Engineering Director  
Stanley Europe, Egide Walschaertsstraat14-18,  
2800 Mechelen, Belgium  
28/02/2017

## Στάθμη ηχητικής πίεσης, μετρημένη σύμφωνα με το πρότυπο EN 60745:

Ηχητική πίεση ( $L_{pA}$ ) 92 dB(A), αβεβαιότητα (K) 3 dB(A)

Ηχητική ισχύς ( $L_{WA}$ ) 103 dB(A), αβεβαιότητα (K) 3 dB(A)

## Συνολικές τιμές δόνησης (διανυσματικό άθροισμα τριών αξόνων) κατά EN 60745:

Κρουστική διάτρηση σε σκυροδέμα ( $a_{hD}$ ) 11  $\text{m/s}^2$ , αβεβαιότητα (K) 1.5  $\text{m/s}^2$

Διάτρηση μετάλλου ( $a_{hD}$ ) 1.5  $\text{m/s}^2$ , αβεβαιότητα (K) 1.5  $\text{m/s}^2$

## Εγγύηση

Η Stanley Europe είναι σίγουρη για την ποιότητα των προϊόντων της και παρέχει μια εξαιρετική εγγύηση για τους επαγγελματίες χρήστες του προϊόντος. Αυτή η δήλωση εγγύησης είναι επιπρόσθετη στα και δεν επηρεάζει με κανένα τρόπο τα συμβατικά δικαιώματά σας ως ιδιώτη μη επαγγελματία χρήστη. Η εγγύηση ισχύει εντός της επικράτειας των Κρατών Μελών της Ευρωπαϊκής Ένωσης και της Ευρωπαϊκής Ζώνης Ελευθέρων Συναλλαγών.

## ΠΛΗΡΗΣ ΕΓΓΥΗΣΗ ΕΝΟΣ ΕΤΟΥΣ

Εάν το προϊόν σας Stanley Fat Max καταστεί ελαττωματικό λόγω ελαττωματικών υλικών ή εργασίας εντός 12 μηνών από την ημερομηνία αγοράς, η Stanley Ευρώπη αναλαμβάνει να αντικαταστήσει όλα τα ελαττωματικά μέρη δωρεάν ή – κατά την κρίση μας – να αντικαταστήσει τη μονάδα χωρίς χρέωση, υπό τον όρο ότι:

- ◆ Το προϊόν δεν έχει υποστεί κακομεταχείριση και έχει χρησιμοποιηθεί σύμφωνα με το εγχειρίδιο οδηγιών.
- ◆ Το προϊόν έχει υποβληθεί σε φυσιολογική φθορά,
- ◆ Δεν έχει γίνει προσπάθεια επισκευής από μη εξουσιοδοτημένα άτομα.
- ◆ Υπάρχει απόδειξη αγοράς.
- ◆ Το προϊόν Stanley Fat Max επιστρέφεται πλήρες, με όλα τα αυθεντικά εξαρτήματα

Εάν επιθυμείτε να εγείρετε αξιώσεις, επικοινωνήστε με τον πωλητή σας ή ελέγξτε την τοποθεσία του πλησιέστερου εξουσιοδοτημένου κέντρου επισκευών Stanley Fat Max στον κατάλογο της Stanley Fat Max ή επικοινωνήστε με το τοπικό σας γραφείο της Stanley στη διεύθυνση που αναγράφεται στο παρόν εγχειρίδιο. Εναλλακτικά, μια λίστα με τα εξουσιοδοτημένα κέντρα επισκευών της Stanley Fat Max και πλήρεις λεπτομέρειες για τις υπηρεσίες που παρέχονται μετά την πώληση διατίθενται στο Διαδίκτυο, στη διεύθυνση: [www.stanley.eu/3](http://www.stanley.eu/3)



<b>België/Belgique</b>	Stanley Fat Max E. Walschaertstraat 14-16 2800 Mechelen Belgium	De. Tel. +32 70 220 065 Fr. Tel. +32 70 220 066 Fax +32 15 473 799 www.stanleytools.eu Enduser.be@SBDinc.com
<b>Danmark</b>	Stanley Fat Max Farveland 1B 2600 Glostrup	Tel. 70 20 15 10 Fax 70 22 49 10 www.stanleyworks.dk
<b>Deutschland</b>	Stanley Fat Max Richard Klinger Str. 11, D - 65510 Idstein	Tel. 06126 21-1 Fax 06126 21-2770
<b>Ελλάδα</b>	Stanley Fat Max. Στράβωνος 7 & Λεωφ. Βουλιαγμένης 159 Γλυφάδα 166 74 - Αθήνα	Τηλ. +30 210 8981-616 Φαξ +30 210 8983-285 www.stanleyworks.gr
<b>España</b>	Stanley Fat Max. Parc de Negocis "Mas Blau" Edificio Muntadas, c/Bergadá, 1, Of. A6 08820 El Prat de Llobregat (Barcelona)	Tel. 934 797 400 Fax 934 797 419 respuesta.postventa@sbdinc.com www.stanleyworks.es
<b>France</b>	Stanley Fat Max 5 allée des Hêtres B.P. 30084 69579 Limonest Cédex	Tel. 04 72 20 39 20 Fax 04 72 20 39 00 www.stanleyouillage.fr
<b>Helvetia</b>	Stanley Fat Max In der Luberzen 40 8902 Urdorf	Tel. 01 730 67 47 Fax 01 730 70 67 www.stanleyworks.de
<b>Italia</b>	Stanley Fat Max EnergyPark-Building 03 sud, Via Monza 7/A 20871 Vimercate (MB)	Tel. 039-9590200 Fax 039-9590313 www.stanley.it
<b>Nederland</b>	Stanley Fat Max Joulehof 12, 4600 RG Bergen op Zoom	Tel. +31 164 283 065 Fax +31 164 283 200 Enduser.NL@SBDinc.com
<b>Norge</b>	Stanley Fat Max Postboks 4613, Nydalen 0405 Oslo	Tlf. 45 25 13 00 Fax 45 25 08 00
<b>Österreich</b>	Stanley Fat Max Oberlaaerstraße 248, A-1230 Wien	Tel. 01 66116-0 Fax 01 66116-614 www.stanleyworks.de
<b>Portugal</b>	Stanley Fat Max Centro de Escritórios de Sintra Avenida Almirante Gago Coutinho, 132/134, Edifício 142710-418 Sintra 2710-418 Lisboa	Tel. 214667500 Fax 214667575 resposta.posvenda@sbdinc.com
<b>Suomi</b>	Stanley Fat Max Tekniikkatie 12, 02150 Espoo	Puh. 010 400 430 Faksi 0800 411 340 www.stanleyworks.fi
<b>Sverige</b>	Stanley Fat Max Box 94, 431 22 Mölndal	Tel. 031-68 61 00 Fax 031-68 60 08
<b>Türkiye</b>	Stanley Fat Max KALE Hırdavat ve Makina A.Ş. Defterdar Mah. Savaklar Cad. No:15 Edirnekapı / Eyüp / İSTANBUL 34050	Puh. 0212 533 52 55 Faks 0212 533 10 05 www.stanleyworks.fi
<b>United Kingdom</b>	Stanley Fat Max 210 Bath Road Slough, Berkshire SL1 3YD	Tel. +44 (0)1753 511234 Fax +44 (0)1753 551155 www.stanleytools.co.uk
<b>Middle East &amp; Africa</b>	Stanley Fat Max P.O.Box - 17164 Jebel Ali (South Zone), Dubai, UAE	Tel. +971 4 8127400 Fax +971 4 8127036 www.stanleyworks.ae