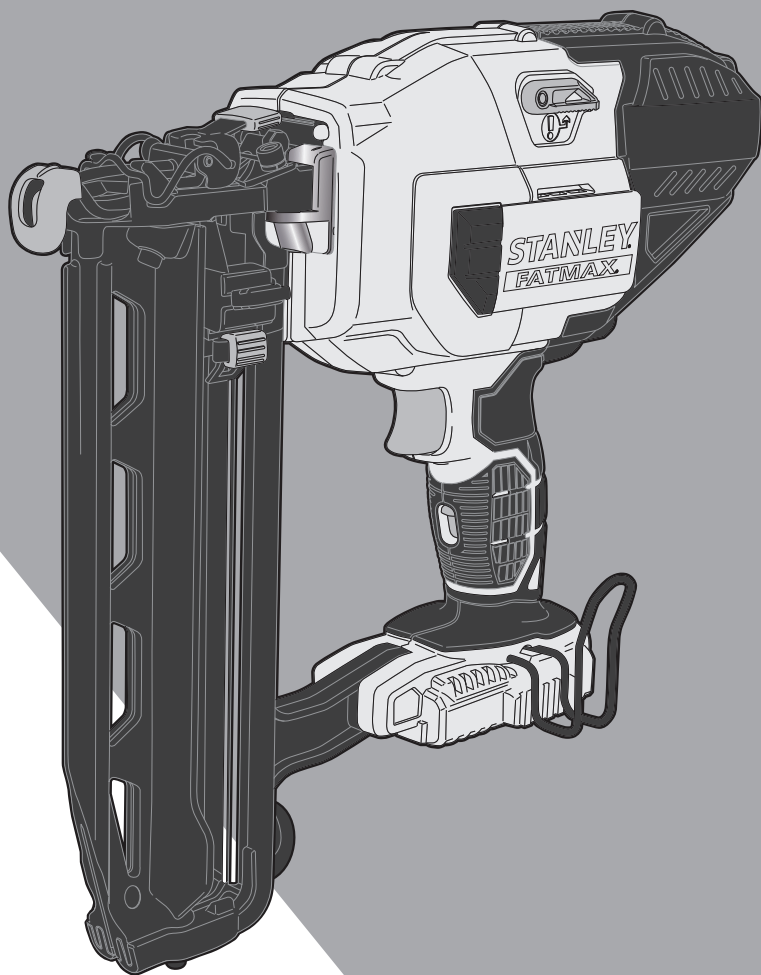


# STANLEY®

## FATMAX®



[www.stanley.eu](http://www.stanley.eu)

FMC792B

EN

DE

FR

IT

NL

ES

PT

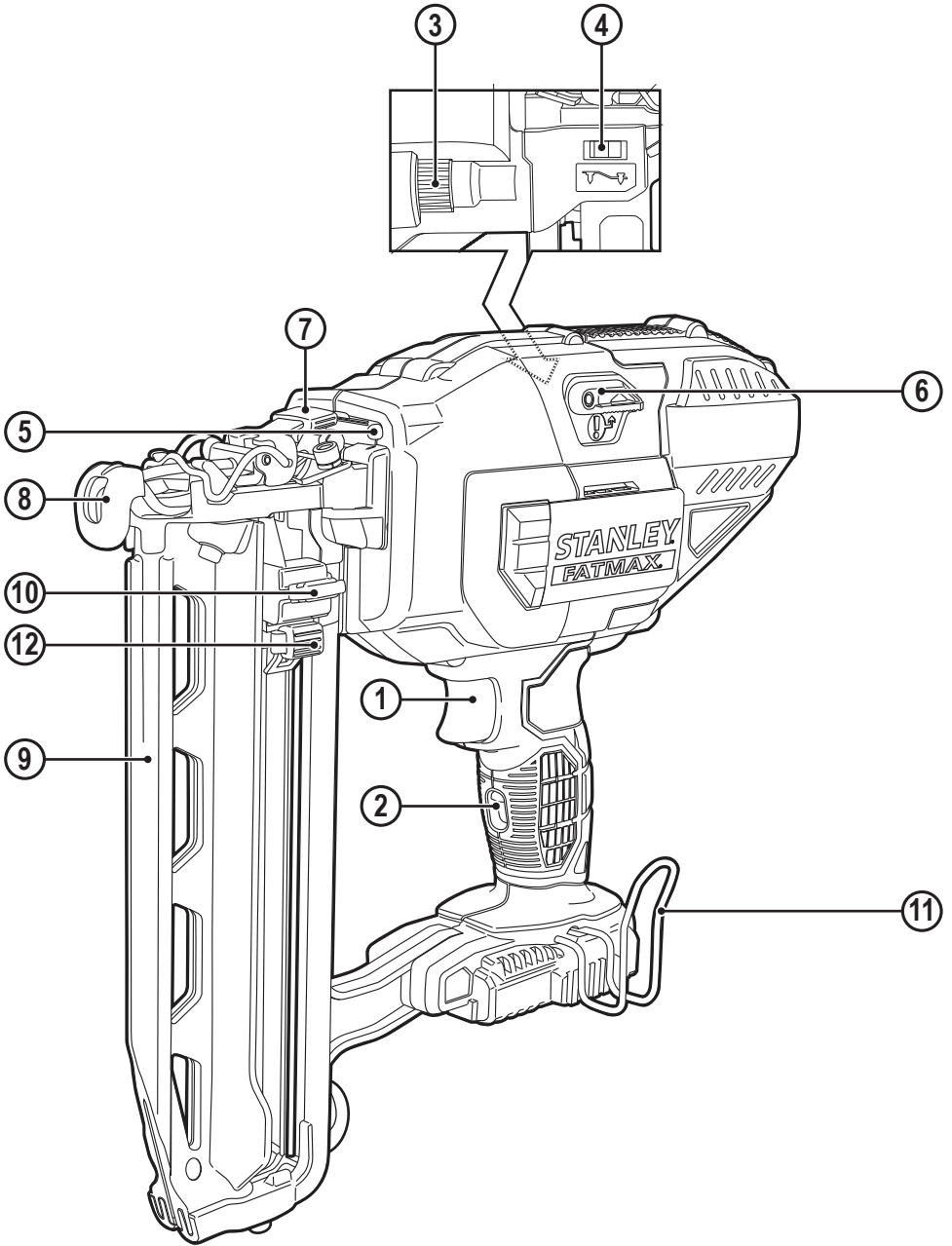
SV

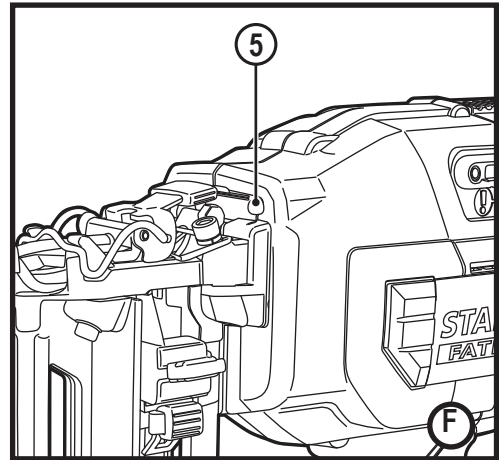
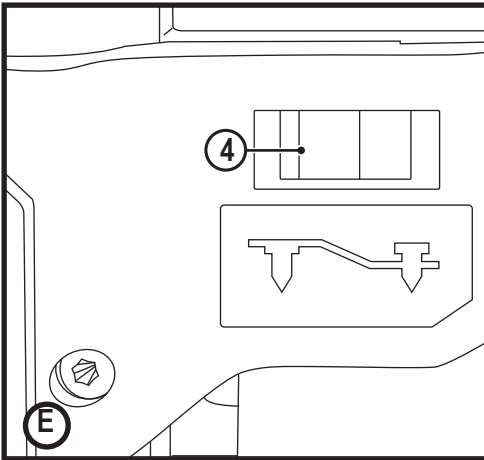
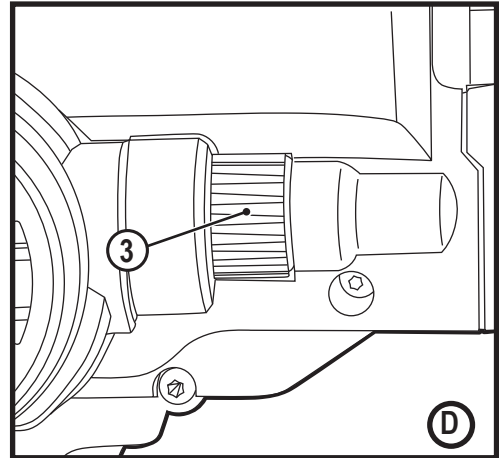
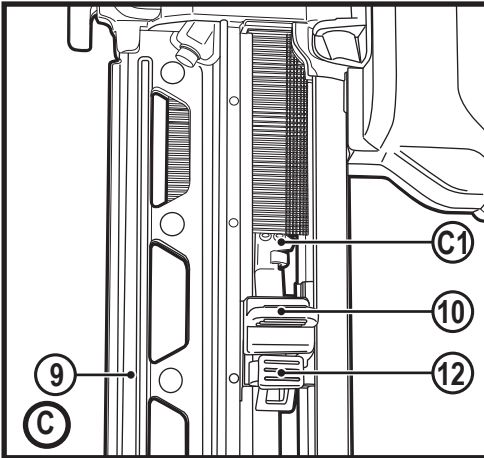
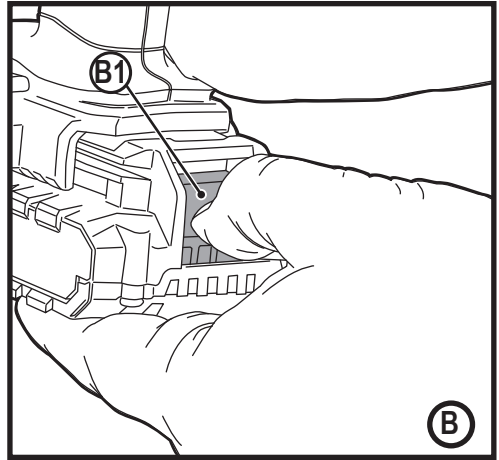
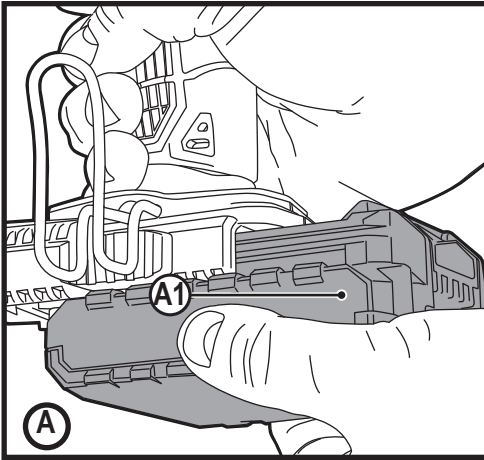
NO

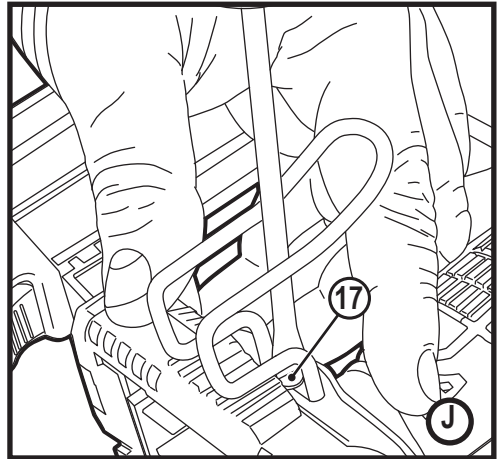
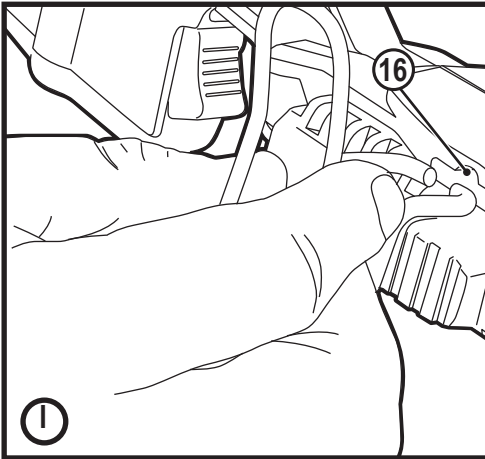
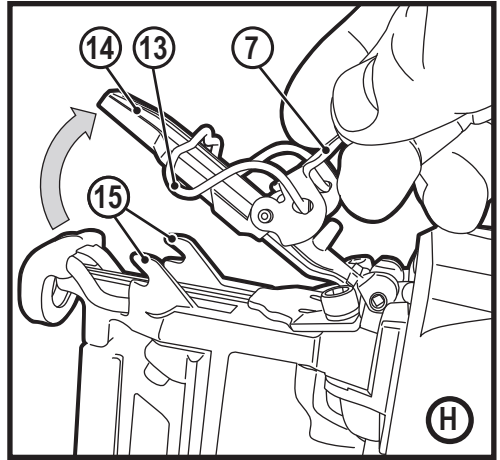
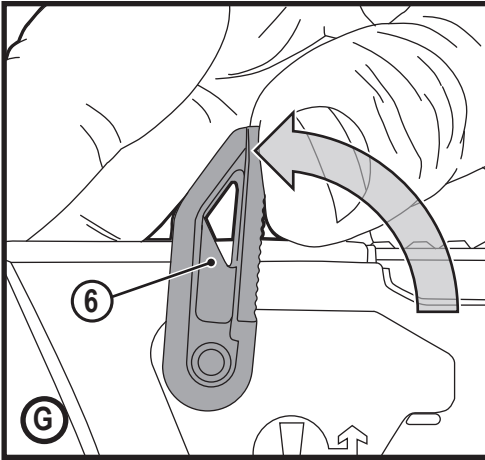
DK

FI

EL







## Intended use

Your Stanley Fat Max FMC792B cordless nailer has been de-signed for nailing. This appliance is intended for professional and private, non professional users.

## Safety instructions

### General power tool safety warnings



**Warning! Read all safety warnings and all instructions.** Failure to follow the warnings and instructions listed below may result in electric shock, fire and/or serious injury.

#### Save all warnings and instructions for future reference.

The term "power tool" in all of the warnings listed below refers to your mains operated (corded) power tool or battery operated (cordless) power tool.

1. **Work area safety**
  - a. **Keep work area clean and well lit.** Cluttered or dark areas invite accidents.
  - b. **Do not operate power tools in explosive atmospheres, such as in the presence of flammable liquids, gases or dust.** Power tools create sparks which may ignite the dust or fumes.
  - c. **Keep children and bystanders away while operating a power tool.** Distractions can cause you to lose control.
2. **Electrical safety**
  - a. **Power tool plugs must match the outlet. Never modify the plug in any way. Do not use any adapter plugs with earthed (grounded) power tools.** Unmodified plugs and matching outlets will reduce risk of electric shock.
  - b. **Avoid body contact with earthed or grounded surfaces such as pipes, radiators, ranges and refrigerators.** There is an increased risk of electric shock if your body is earthed or grounded.
  - c. **Do not expose power tools to rain or wet conditions.** Water entering a power tool will increase the risk of electric shock.
  - d. **Do not abuse the cord. Never use the cord for carrying, pulling or unplugging the power tool. Keep cord away from heat, oil, sharp edges or moving parts.** Damaged or entangled cords increase the risk of electric shock.
  - e. **When operating a power tool outdoors, use an extension cord suitable for outdoor use.** Use of a cord suitable for outdoor use reduces the risk of electric shock.
  - f. **If operating a power tool in a damp location is unavoidable, use a residual current device (RCD) protected supply.** Use of an RCD reduces the risk of electric shock.
3. **Personal safety**
  - a. **Stay alert, watch what you are doing and use common sense when operating a power tool. Do not use a power tool while you are tired or under the influence of drugs, alcohol or medication.** A moment of inattention while operating power tools may result in serious personal injury.
  - b. **Use personal protective equipment. Always wear eye protection.** Protective equipment such as dust mask, non-skid safety shoes, hard hat, or hearing protection used for appropriate conditions will reduce personal injuries.
  - c. **Prevent unintentional starting. Ensure the switch is in the off-position before connecting to power source and/or battery pack, picking up or carrying the tool.** Carrying power tools with your finger on the switch or energising power tools that have the switch on invites accidents.
  - d. **Remove any adjusting key or wrench before turning the power tool on.** A wrench or a key left attached to a rotating part of the power tool may result in personal injury.
  - e. **Do not overreach. Keep proper footing and balance at all times.** This enables better control of the power tool in unexpected situations.
  - f. **Dress properly. Do not wear loose clothing or jewellery. Keep your hair, clothing and gloves away from moving parts.** Loose clothes, jewellery or long hair can be caught in moving parts.
  - g. **If devices are provided for the connection of dust extraction and collection facilities, ensure these are connected and properly used.** Use of dust collection can reduce dust-related hazards.
4. **Power tool use and care**
  - a. **Do not force the power tool. Use the correct power tool for your application.** The correct power tool will do the job better and safer at the rate for which it was designed.
  - b. **Do not use the power tool if the switch does not turn it on and off.** Any power tool that cannot be controlled with the switch is dangerous and must be repaired.
  - c. **Disconnect the plug from the power source and/or the battery pack from the power tool before making any adjustments, changing accessories, or storing power tools.** Such preventive safety measures reduce the risk of starting the power tool accidentally.
  - d. **Store idle power tools out of the reach of children and do not allow persons unfamiliar with the power tool or these instructions to operate the power tool.** Power tools are dangerous in the hands of untrained users.

- e. **Maintain power tools. Check for misalignment or binding of moving parts, breakage of parts and any other condition that may affect the power tools operation. If damaged, have the power tool repaired before use.** Many accidents are caused by poorly maintained power tools.
  - f. **Keep cutting tools sharp and clean.** Properly maintained cutting tools with sharp cutting edges are less likely to bind and are easier to control.
  - g. **Use the power tool, accessories and tool bits etc. in accordance with these instructions, taking into account the working conditions and the work to be performed.** Use of the power tool for operations different from those intended could result in a hazardous situation.
5. **Battery tool use and care**
- a. **Recharge only with the charger specified by the manufacturer.** A charger that is suitable for one type of battery pack may create a risk of fire when used with another battery pack.
  - b. **Use power tools only with specifically designated battery packs.** Use of any other battery packs may create a risk of injury and fire.
  - c. **When battery pack is not in use, keep it away from other metal objects, like paper clips, coins, keys, nails, screws, or other small metal objects, that can make a connection from one terminal to another.** Shorting the battery terminals together may cause burns or a fire.
  - d. **Under abusive conditions, liquid may be ejected from the battery; avoid contact. If contact accidentally occurs, flush with water. If liquid contacts eyes, additionally seek medical help.** Liquid ejected from the battery may cause irritation or burns.
6. **Service**
- a. **Have your power tool serviced by a qualified repair person using only identical replacement parts.** This will ensure that the safety of the power tool is maintained.

#### Additional power tool safety warnings

- ◆ **Use auxiliary handles supplied with the tool.** Loss of control can cause personal injury.
- ◆ **Hold power tool by insulated gripping surfaces when performing an operation where the cutting accessory may contact hidden wiring.** Cutting accessory contacting a "live" wire may make exposed metal parts of the power tool "live" and could give the operator an electric shock.
- ◆ **Hold power tool by insulated gripping surfaces, when performing an operation where the fastener may contact hidden wiring.** Fasteners contacting a "live" wire may make exposed metal parts of the power tool "live" and could give the operator an electric shock.

- ◆ **Use clamps or another practical way to secure and support the workpiece to a stable platform.** Holding the work by hand or against your body leaves it unstable and may lead to loss of control.
- ◆ Before drilling into walls, floors or ceilings, check for the location of wiring and pipes.
- ◆ Avoid touching the tip of a drill bit just after drilling, as it may be hot.
- ◆ The intended use is described in this instruction manual. The use of any accessory or attachment or performance of any operation with this tool other than those recommended in this instruction manual may present a risk of personal injury and/or damage to property.

#### Safety of others

- ◆ Never allow children, persons with reduced physical, sensory or mental capabilities or lack of experience and knowledge or people unfamiliar with these instructions to use the machine,
- ◆ local regulations may restrict the age of the operator.
- ◆ Never operate the machine while people, especially children, or pets are nearby.

#### Additional Safety Instructions for Cordless Nailers

- ◆ **Always wear safety glasses.**
- ◆ **Always wear ear protection.**
- ◆ **Only use fasteners of the type specified in the manual.**
- ◆ **Do not use any stands for mounting the tool to a support.**
- ◆ **Do not disassemble or block any parts of the fastener driving tool such as the contact trip.**
- ◆ **Prior to each operation check that the safety and triggering mechanism is functioning properly and that all nuts and bolts are tight.**
- ◆ **Do not use the tool as a hammer.**
- ◆ **Do not use the tool on a ladder.**
- ◆ **Never point any operational fastener driving tool at yourself or at any other person.**
- ◆ **While working, hold the tool in such a way that no injuries can be caused to the head or to the body in the event of a possible recoil due to a disruption in the energy supply or hard areas within the work piece.**
- ◆ **Never actuate the fastener driving tool into free space.**
- ◆ **In the work area, carry the tool at the workplace using only one handle, and never with the trigger actuated.**
- ◆ **Consider the conditions in the work area. Fasteners can penetrate thin work pieces or slip off corners and edges of the work piece, and thus put people at risk.**
- ◆ **Do not drive fasteners close to the edge of the work piece.**
- ◆ **Do not drive fasteners on top of other fasteners.**
- ◆ **Always assume that the tool contains fasteners.**

Careless handling of the nailer can result in unexpected firing of fasteners and personal injury.

- ◆ **Do not point the tool towards yourself or anyone nearby.** Unexpected triggering will discharge the fastener causing injury.
- ◆ **Do not actuate the tool unless it is placed firmly against the workpiece.** If the tool is not in contact, the fastener may be deflected away from your target.
- ◆ **Disconnect the tool from the power source when the fastener jams in the tool.** While removing a jammed fastener, the nailer may be accidentally activated if it is plugged in.
- ◆ **Do not use this tool for fastening electrical cables.** It is not designed for electric cable installation and may damage the insulation of electric cables thereby causing electric shock or fire hazards.

### Residual risks

Additional residual risks may arise when using the tool which may not be included in the enclosed safety warnings.

These risks can arise from misuse, prolonged use etc.

Even with the application of the relevant safety regulations and the implementation of safety devices, certain residual risks can not be avoided. These include:

- ◆ Injuries caused by touching any rotating/moving parts.
- ◆ Injuries caused when changing any parts, blades or accessories.
- ◆ Injuries caused by prolonged use of a tool. When using any tool for prolonged periods ensure you take regular breaks.
- ◆ Impairment of hearing.
- ◆ Health hazards caused by breathing dust developed when using your tool (example:- working with wood, especially oak, beech and MDF.)

### Vibration

The declared vibration emission values stated in the technical data and the declaration of conformity have been measured in accordance with a standard test method provided by EN50636 and may be used for comparing one tool with another. The declared vibration emission value may also be used in a preliminary assessment of exposure.

**Warning!** The vibration emission value during actual use of the power tool can differ from the declared value depending on the ways in which the tool is used. The vibration level may increase above the level stated.

When assessing vibration exposure to determine safety measures required by 2002/44/EC to protect persons regularly using power tools in employment, an estimation of vibration exposure should consider, the actual conditions of use and the way the tool is used, including taking account of all parts of the operating cycle such as the times when the tool is switched off and when it is running idle in addition to the trigger time.

### Labels on tool

The following symbols are shown on the tool along with the date code:



**Warning!** To reduce the risk of injury, the user must read the instruction manual.



**Warning!** To reduce the risk of injury, the user must wear ear and eye protection.



Keep hands and body parts clear of immediate work area.

### Additional safety instructions for batteries and chargers

#### Batteries

- ◆ Never attempt to open for any reason.
- ◆ Do not expose the battery to water.
- ◆ Do not store in locations where the temperature may exceed 40 °C.
- ◆ Charge only at ambient temperatures between 10 °C and 40 °C.
- ◆ When disposing of batteries, follow the instructions given in the section "Protecting the environment".
- ◆ Do not damage/deform the battery pack either by puncture or impact, as this may create a risk of injury and fire.
- ◆ Do not charge damaged batteries.
- ◆ Under extreme conditions, battery leakage may occur. When you notice liquid on the batteries Carefully wipe the liquid off using a cloth. Avoid skin contact.
- ◆ In case of skin or eye contact, follow the instructions below.

**Warning!** The battery fluid may cause personal injury or damage to property. In case of skin contact, immediately rinse with water. If redness, pain or irritation occurs seek medical attention. In case of eye contact, rinse immediately with clean water and seek medical attention.



Do not attempt to charge damaged batteries

#### Chargers

- ◆ Use your Stanley Fat Max charger only to charge the battery in the tool with which it was supplied. Other batteries could burst, causing personal injury and damage.
- ◆ Never attempt to charge non-rechargeable batteries.
- ◆ Have defective cords replaced immediately.
- ◆ Do not expose the charger to water.
- ◆ Do not open the charger.
- ◆ Do not probe the charger.

## Symbols on charger



The charger is intended for indoor use only.



Read the instruction manual before use.

## Electrical safety



Your adapter is double insulated; therefore no earth wire is required. Always check that the mains voltage corresponds to the voltage on the rating plate. Never attempt to replace the adapter unit with a regular mains plug.

## Features

This appliance includes some or all of the following features.

1. Trigger Switch
2. Trigger Lock-Off switch
3. Depth adjustment wheel
4. Depth adjustment indicator
5. Worklights/low battery/jam/stall indicator
6. Stall release lever
7. Jam clearing latch
8. Contact trip
9. Magazine
10. Pusher latch
11. Belt hook
12. Pusher latch release

## Use

### Charging the battery

The battery needs to be charged before first use and whenever it fails to produce sufficient power on jobs that were easily done before.

The battery may become warm while charging; this is normal and does not indicate a problem.

**Warning!** Do not charge the battery at ambient temperatures below 10 °C or above 40 °C. Recommended charging temperature: approx. 24 °C.

**Note:** The charger will not charge a battery if the cell temperature is below approximately 10 °C or above 40 °C.

The battery should be left in the charger and the charger will begin to charge automatically when the cell temperature warms up or cools down.

- ◆ Plug the charger into an appropriate outlet before inserting the battery pack.
- ◆ Insert the battery pack into the charger.



The green LED will flash indicating that the battery is being charged.



The completion of charge is indicated by the green LED remaining on continuously. The pack is fully charged and may be used at this time or left in the charger

**Warning!** Recharge discharged batteries as soon as possible after use or battery life may be greatly diminished.

### Charger diagnostics

This charger is designed to detect certain problems that can arise with the battery packs or the power source. Problems are indicated by one LED flashing in different patterns.

### Bad Battery



The charger can detect a weak or damaged battery. The red LED flashes in the pattern indicated on the label. If you see this bad battery blink pattern, do not continue to charge the battery. Return it to a service centre or a collection site for recycling

### Hot/Cold Pack Delay



When the charger detects a battery that is excessively hot or excessively cold, it automatically starts a Hot/Cold Pack delay, suspending charging until the battery has normalised. After this happens, the charger automatically switches to the Pack Charging mode. This feature ensures maximum battery life. The red LED flashes in the pattern indicated on the label when the Hot/Cold pack delay is detected.

### Leaving the battery in the charger

The charger and battery pack can be left connected with the LED glowing indefinitely. The charger will keep the battery pack fresh and fully charged.

### Important charging notes



- ◆ Longest life and best performance can be obtained if the battery pack is charged when the air temperature is between 18°- 24°C. DO NOT charge the battery pack in an air temperature below +4.5°C, or above +40.5°C. This is important and will prevent serious damage to the battery pack .
- ◆ The charger and battery pack may become warm to touch while charging. This is a normal condition, and does not indicate a problem. To facilitate the cooling of the battery pack after use, avoid placing the charger or battery pack in a warm environment such as in a metal shed, or an uninsulated trailer
- ◆ If the battery pack does not charge properly:
  - ◆ Check current at receptacle by plugging in a lamp or other appliance
  - ◆ Check to see if receptacle is connected to a light switch which turns power off when you turn out the lights.
  - ◆ Move charger and battery pack to a location where the surrounding air temperature is approximately 18°- 24°C.
  - ◆ If charging problems persist, take the appliance, battery pack and charger to your local service center.
- ◆ The battery pack should be recharged when it fails to produce sufficient power on jobs which were easily done previously. DO NOT CONTINUE to use under these conditions. Follow the charging procedure. You may also charge a partially used pack whenever you desire with no adverse affect on the battery pack.
- ◆ Foreign materials of a conductive nature such as, but not limited to, steel wool, aluminium foil, or any buildup of metallic particles should be kept away from charger cavities. Always unplug the charger from the power supply when there is no battery pack in the cavity. Unplug charger before attempting to clean.
- ◆ Do not freeze or immerse charger in water or any other liquid.

**Warning!** Shock hazard. Do not allow any liquid to get inside charger. Never attempt to open the battery pack for any reason.

If the plastic housing of the battery pack breaks or cracks, return to a service center for recycling.

## Installing and removing the battery pack from the appliance

**Warning!** Make certain the lock-off button is not engaged to prevent switch actuation before removing or installing battery.

### To install battery pack

Insert battery (A1) into appliance until an audible click is heard (Figure A). Ensure battery pack is fully seated and fully

latched into position.

### To remove battery pack

Depress the battery release button (B1) as shown in Figure B and pull battery pack out of appliance.

### Operation

**Warning!** Read the section titled Nailer Safety Warnings at the beginning of this manual. Always wear eye and ear protection when operating this tool.

Keep the nailer pointed away from yourself and others. For safe operation, complete the following procedures and checks before each use of the nailer.

**Warning!** To reduce the risk of personal injury, disconnect battery pack from tool and engage trigger lock-off before performing maintenance, clearing a jammed nails, leaving work area, moving tool to another location or handing the tool to another person.

**Warning!** Keep fingers AWAY from trigger when not driving fasteners to avoid accidental firing. Never carry tool with finger on trigger.

- ◆ Wear proper eye, hearing and respiratory protection.
- ◆ Remove battery pack from tool and engage trigger lock-off.
- ◆ Lock the pusher in the back position and remove all nail strips from the magazine.
- ◆ Check for smooth and proper operation of contact trip and pusher assemblies. Do not use tool if either assembly is not functioning properly.
- ◆ Never use a tool that has damaged parts.

### To operate the nailer

**Warning!** The contact trip needs to be depressed followed by a full trigger pull for each nail followed by a release of both the contact trip and trigger after each nail.

**Warning!** The battery should always be removed and the trigger lock-off engaged whenever any adjustments are made or when tool is not in use.

- ◆ Fully depress contact trip against the work surface.
- ◆ Fully pull trigger and motor will start. (nail will drive into work surface).
- ◆ Release trigger.
- ◆ Lift contact trip off work surface.
- ◆ Repeat the above 4 steps for next application

### Preparing the tool

**Warning!** NEVER spray or in any other way apply oil, lubricants or cleaning solvents inside the tool. This can seriously affect the life and performance of the tool.

**Warning!** The battery should always be removed and the trigger lock-off engaged whenever any adjustments are made or when tool is not in use.

- ◆ Read the Safety Instruction section of this manual.

- ◆ Wear eye and ear protection.
- ◆ Remove battery from tool and fully charge.
- ◆ Ensure magazine is empty of all fasteners.
- ◆ Check for smooth and proper operation of contact trip and pusher assemblies. Do not use tool if either assembly is not functioning properly.
- ◆ Keep tool pointed away from yourself and others.
- ◆ Insert fully charged battery pack.

## Loading the Tool

**Warning!** Keep the tool pointed away from yourself and others. Serious personal injury may result.

**Warning!** Never load nails with the contact trip or trigger activated.

**Warning!** Always remove battery pack before loading or unloading nails.

**Warning!** The battery should always be removed and the trigger lock-off is engaged whenever any adjustments are made or when tool is not in use.

**Warning!** Keep fingers clear of pusher to prevent injury.

- ◆ Insert fasteners into the bottom of the magazine (9).
- ◆ Pull pusher (10) downward until the nail follower (C1) falls behind the nails as shown in figure C.
- ◆ Release the pusher (10).

## Unloading the Tool

**Warning!** The battery should always be removed and the trigger lock-off engaged whenever any adjustments are made or when tool is not in use.

- ◆ Press pusher latch release button (12).
- ◆ Manually slide nails towards the bottom of the magazine (9).
- ◆ Open the jam clear door (7) on the nosepiece to verify there are no nails remaining.

## Adjusting Depth (Fig. D, E)

The depth that the fastener is driven can be adjusted using the depth adjustment wheel (3) on the side of the tool.

**Warning!** To reduce risk of serious injury from accidental actuation when attempting to adjust depth, Always:

- ◆ Remove battery pack.
- ◆ Engage trigger lock-off.
- ◆ Avoid contact with trigger during adjustments.

Depth settings are on a sliding scale (4). The left side indicating the deepest and the right side indicating the shallowest.

- ◆ To drive a nail deeper, rotate the depth adjustment wheel (3) downwards. This will slide the depth adjustment indicator (4) to the left on the scale.
- ◆ To drive a nail shallower, rotate the depth adjustment wheel (3) upwards. This will slide the depth adjustment indicator (4) to the right on the scale.

## Work lights (Fig. F)

There are work lights (5) located on each side of the nailer. Work lights turn on upon depressing the contact trip.

**Note:** These work lights are for illuminating the immediate work surface and are not intended to be used as flashlights.



## Low Battery Indicator:

The work lights will flash and then turn off completely to indicate low battery.



## Jammed Nail Indicator:

The work lights will flash continually if a nail becomes jammed in the nose piece (see Clearing a jammed nail).

## Stall Release (Fig. G)

**Warning!** If a stall occurs, the tool will disable itself and will require you to reset it. To do so, follow instructions on clearing a stalled condition. Next remove battery pack and then reinsert battery pack. The tool will now be operational. If the nailer is used in a rigorous application where all available energy in the motor is used to drive a fastener, the tool may stall. The driver blade did not complete the drive cycle and the jam/stall indicator will flash. Rotate the stall release lever (6) on the tool and the mechanism will release as shown in figure G.

**Note!** The tool will disable itself and not reset until the battery pack has been removed and reinserted. If the unit continues to stall please review the material and fastener length to be sure that it is not too rigorous an application. If the driver blade does not automatically return to the home position after rotating the stall release lever, proceed to "clearing a jammed nail".



## Clearing a Jammed Nail (Fig. H)

**Warning!** To reduce the risk of personal injury, disconnect battery pack from tool and engage trigger lock-off before performing maintenance, or clearing a jammed nail.

If a nail becomes jammed in the nosepiece, keep the tool pointed away from you and follow these instructions to clear:

- ◆ Remove battery pack from tool and engage trigger lock-off.



- ◆ Rotate the stall release lever (6) on the tool to release the driver blade and clear the jam. If tool is still jammed follow the 9 steps listed below:
  - ◆ Pull pusher downward until it locks in place then tip the tool over so the nails slide freely out from the bottom of the magazine.



- ◆ Lift the jam clearing latch (7) then pull up to open front door (14).
- ◆ Remove bent nail, using pliers if necessary.
- ◆ If driver blade is in the down position, insert screwdriver or other rod into nosepiece and push driver blade back in position.
- ◆ Close the front door and engage the wire form (13) under the two arms (15) on the contact trip. Push jam clearing latch down (7) until it locks in place.
- ◆ Reinsert nails into magazine (see Loading the Tool).
- ◆ Pull pusher (10) downward until the nail follower (C1) falls behind the nails as shown in figure C.
- ◆ Reinsert battery pack.
- ◆ Disengage trigger lock-off (2), allowing the trigger to be actuated.

**Warning!** If a jam occurs, the tool will disable itself and will require you to reset it. To do so, follow instructions on clearing the jammed nail. Next remove battery pack and then reinsert battery pack. The tool will now be operational.

**Note!** Should nails continue to jam frequently in contact trip, have tool serviced by an authorized Stanley Fat Max service center.

## Cold Weather Operation

When operating tools at temperatures below freezing:

- ◆ Keep tool as warm as possible prior to use.
- ◆ Actuate the tool 5 or 6 times into scrap lumber before using.

## Hot Weather Operation

Tool should operate normally. However, keep tool out of direct sunlight as excessive heat can deteriorate bumpers and other rubber parts resulting in increased maintenance.

## Belt Hook (Fig. I-J)

**Warning!** Remove nails from magazine before making any adjustments or servicing this tool. Failure to do so may result in serious injury.

- ◆ Remove battery pack from tool, and engage trigger lock-off.
- ◆ With a screwdriver remove screw from hang hook cavity on the base of the tool (16).
- ◆ Place the front lip of the hang hook (11) into the cavity on the base of the tool (16) as shown in Figure I.
- ◆ Secure the hang hook (11) with the supplied screw (17) and firmly tighten with a screwdriver as shown in Figure J.
- ◆ Replace battery pack.

## Replacement parts

**Warning!** To reduce the risk of personal injury, disconnect battery pack from tool and engage trigger lock-off before performing maintenance, or clearing a jammed nail.

The tool comes equipped with a spare no mar tip located on the side of the nail magazine.

- ◆ To replace the no mar pad, simply pull off the old no mar pad and refit the new no mar pad onto the contact trip.

Use only identical replacement parts. For a parts list or to order parts, visit our service website at [www.stanley.eu/3co.uk](http://www.stanley.eu/3co.uk). You can also order parts from your nearest Stanley Fat Max Factory Service Center or Stanley Fat Max Authorized Warranty.

## Troubleshooting

If your appliance seems not to operate properly, follow the following instructions.

If this does not solve the problem, please contact your local Stanley Fat Max repair agent.

**Warning!** Before proceeding, unplug the appliance.

Problem	Possible Cause	Possible Solution
Unit will not start.	Battery pack not installed properly.	Check battery pack installation.
	Battery pack not charged.	Check battery pack charging requirements.
	Trigger lock-off is engaged.	Disengage trigger lock-off.
Tool doesn't actuate. (Headlights on, motor does not run)	Motor stops running after 2 seconds.	Normal operation; release trigger or contact trip and re-depress.
Tool doesn't actuate. (Headlights flash)	Low battery charge or damaged battery.	Charge or replace battery.
	Jammed fastener / tool stalled.	Remove the battery, rotate the stall release lever. Clear the jammed fastener, and reinsert battery pack.
Tool doesn't actuate. (Headlights flash continuously)	Jammed mechanism	See authorized service center.
	Tool doesn't actuate. ((Headlights on, motor runs, driver blade stuck down)	

Problem	Possible Cause	Possible Solution
Tool operates, but does not drive the fastener fully.	Low battery charge or damaged battery.	Charge or replace battery.
	Depth adjustment set too shallow.	Rotate depth adjustment wheel to a deeper setting. Read instruction manual.
	Tool not firmly applied to workpiece.	
	Material and fastener length too rigorous an application.	Choose appropriate material or fastener length.

## Maintenance

Your Stanley Fat Max corded/cordless appliance/tool has been designed to operate over a long period of time with a minimum of maintenance. Continuous satisfactory operation depends upon proper tool/appliance care and regular cleaning.

**Warning!** Switch off and unplug the appliance before carrying out any cleaning.

- ◆ Dirt and grease may be removed from the exterior of the appliance using a cloth.

**Warning!** NEVER use solvents or other harsh chemicals for cleaning the non-metallic parts of the appliance. These chemicals may weaken the materials used in these parts. Use a cloth dampened only with water and mild soap. Never let any liquid get inside the unit; never immerse any part of the unit into a liquid.

**Warning!** NEVER spray or in any other way apply lubricants or cleaning solvents inside the tool. This can seriously affect the life and performance of the tool.

## Service Notes

This product is not user serviceable. There are no user serviceable parts inside the nailer. Servicing at an authorized service center is required to avoid damage to static sensitive internal components.

## Protecting the environment



Separate collection. Products and batteries marked with this symbol must not be disposed of with normal household waste.

Products and batteries contain materials that can be recovered or recycled reducing the demand for raw materials. Please recycle electrical products and batteries according to local provisions. Further information is available at [www.2helpU.com](http://www.2helpU.com)

## Technical data

FMC792B Type:2		
Voltage	$V_{DC}$	18
Battery Type		Li-Ion
Actuating mode		Sequential
Magazine angle		Straight
No load speed	rpm	9100
Drive energy	approx	60J
Weight (bare tool)	kg	2.6

Fasteners		
Length	mm	25 - 64
Shank diameter	mm	1.6
Angle		Straight

Charger 90608625		
Input voltage	$V_{AC}$	230
Output voltage	$V_{DC}$	18
Current	Ah	2.0
Approx. charge time		1 hr (2.0 Ah) 2 hr (4.0 Ah)
Weight (bare charger)	kg	0.45

Battery	FMC687L	FMC688L	
Voltage	$V_{AC}$	18	18
Capacity	Ah	2.0ah	4.0ah
Weight	kg	0.35	0.67
Type		Li-Ion	Li-Ion

Level of sound pressure according to EN 60745 - 1:	
Sound pressure ( $L_{pA}$ )	87 dB(A), uncertainty (K) 1.5 dB(A)
Sound power ( $L_{WA}$ )	92 dB(A), uncertainty (K) 2.5 dB(A)

Vibration total values (triax vector sum) according to EN 60745 - 2 - 16:	
Staple nails ( $a_r$ )	1.8 $m/s^2$ , uncertainty (K) 1.8 $m/s^2$

## EC declaration of conformity

MACHINERY DIRECTIVE



FMC792B - Cordless Nailer

Stanley Fat Max declares that these products described under

"technical data" are in compliance with:  
EN60745-1: 2009 +A11:2010,

EN 60745 - 2 -16:2010

These products also comply with Directive 2004/108/EC (until 19/04/2016) 2014/30/EU (from 20/04/2016), 2006/42/EC and 2011/65/EU.

For more information, please contact Stanley Fat Max at the following address or refer to the back of the manual.

The undersigned is responsible for compilation of the technical file and makes this declaration on behalf of Stanley Fat Max.

R. Laverick  
Director of Engineering  
Stanley Fat Max,  
210 Bath Road, Slough,  
Berkshire, SL1 3YD  
United Kingdom  
03/02/2016

## Garantie

Stanley Fat Max is confident of the quality of its products and offers consumers a 12 month guarantee from the date of purchase. This guarantee is in addition to and in no way prejudices your statutory rights. The guarantee is valid within the territories of the Member States of the European Union and the European Free Trade Area.

To claim on the guarantee, the claim must be in accordance with Stanley Fat Max Terms and Conditions and you will need to submit proof of purchase to the seller or an authorised repair agent. Terms and conditions of the Stanley Fat Max 1 year guarantee and the location of your nearest authorised repair agent can be obtained on the Internet at [www.2helpU.com](http://www.2helpU.com), or by contacting your local Stanley Fat Max office.

Please visit our website [www.stanley.eu/3co.uk](http://www.stanley.eu/3co.uk) to register your new Stanley Fat Max product and receive updates on new products and special offers.

## Verwendungszweck

Ihre Stanley Fat Max FMC792B Akku-Nagelmaschine wurde zum Nageln konzipiert. Dieses Gerät ist zum gewerblichen und privaten Einsatz vorgesehen.

## Sicherheitshinweise

### Allgemeine Sicherheitswarnungen für das Gerät



**Warnung! Lesen Sie alle Sicherheitswarnhinweise und alle Anweisungen.** Die Nichteinhaltung der folgenden Warnungen und Anweisungen kann einen elektrischen Schlag, Brand und/oder schwere Verletzungen verursachen.

**Bewahren Sie alle Sicherheitswarnungen und Anweisungen gut auf.** Der nachfolgend verwendete Begriff „Gerät“ bezieht sich auf netzbetriebene Geräte (mit Netzkabel) und auf akkubetriebene Geräte (ohne Netzkabel).

#### 1. Sicherheit im Arbeitsbereich

- a. **Halten Sie Ihren Arbeitsbereich sauber und gut ausgeleuchtet.** Unaufgeräumte oder dunkle Bereiche begünstigen Unfälle.
- b. **Betreiben Sie das Gerät nicht in Umgebungen, in denen Explosionsgefahr z. B. aufgrund von brennbaren Flüssigkeiten, Gasen oder Staub besteht.** Geräte erzeugen Funken, die den Staub oder die Dämpfe entzünden können.
- c. **Halten Sie Kinder und andere Personen während der Benutzung eines Geräts fern.** Bei Ablenkung können Sie die Kontrolle verlieren.

#### 2. Elektrische Sicherheit

- a. **Der Netzstecker des Geräts muss in die Steckdose passen. Ändern Sie niemals den Stecker in irgendeiner Form. Verwenden Sie keinerlei Adapterstecker an geerdeten Elektrogeräten.** Unveränderte Stecker und passende Steckdosen mindern die Gefahr eines elektrischen Schlags.
- b. **Vermeiden Sie Körperkontakt mit geerdeten Oberflächen von Rohren, Heizungen, Herden und Kühlschränken.** Es besteht eine erhöhte Gefahr für einen elektrischen Schlag, wenn Ihr Körper geerdet ist.
- c. **Halten Sie Geräte von Regen und Nässe fern.** Das Eindringen von Wasser in ein Gerät erhöht das Risiko eines elektrischen Schlags.
- d. **Verwenden Sie das Kabel ordnungsgemäß. Verwenden Sie es niemals zum Tragen. Trennen Sie das Gerät nicht durch Ziehen am Kabel vom Netz. Halten Sie das Kabel fern von Hitze, Öl, scharfen Kanten oder beweglichen Teilen.**

Beschädigte oder verhedderte Kabel erhöhen die Gefahr eines elektrischen Schlags.

- e. **Wenn Sie mit einem Gerät im Freien arbeiten, verwenden Sie nur Verlängerungskabel, die für den Außenbereich zugelassen sind.** Die Verwendung eines für den Außenbereich geeigneten Verlängerungskabels verringert das Risiko eines elektrischen Schlags.
  - f. **Wenn das Gerät in einer feuchten Umgebung verwendet werden muss, schließen Sie es unbedingt an eine Steckdose mit Fehlerstromschutzschalter (FI-Schalter) an.** Ein Fehlerstromschutzschalter verringert das Risiko eines elektrischen Schlags.
3. **Sicherheit von Personen**
    - a. **Seien Sie aufmerksam, achten Sie darauf, was Sie tun, und gehen Sie sachgerecht mit einem Gerät um. Benutzen Sie kein Gerät, wenn Sie müde sind oder unter dem Einfluss von Drogen, Alkohol oder Medikamenten stehen.** Ein Moment der Unachtsamkeit beim Betrieb eines Geräts kann zu schweren Verletzungen führen.
    - b. **Verwenden Sie eine geeignete Schutzausrüstung. Tragen Sie immer einen Augenschutz.** Das Tragen persönlicher Schutzausrüstung, wie Staubmaske, rutschfeste Sicherheitsschuhe, Schutzhelm oder Gehörschutz, je nach Art und Einsatz des Geräts, verringert das Risiko von Verletzungen.
    - c. **Vermeiden Sie eine unbeabsichtigte Inbetriebnahme. Vergewissern Sie sich, dass das Gerät ausgeschaltet ist, bevor Sie es an eine Steckdose oder einen Akku anschließen, es hochheben oder tragen.** Wenn Sie beim Tragen des Geräts den Finger am Schalter haben oder das Gerät eingeschaltet an die Stromversorgung anschließen, kann dies zu Unfällen führen.
    - d. **Entfernen Sie Einstell- oder Schraubenschlüssel, bevor Sie das Gerät einschalten.** Werkzeuge oder Schlüssel, die an rotierenden Teilen des Elektrogerätes angebracht sind, können zu Verletzungen führen.
    - e. **Beugen Sie sich nicht zu weit nach vorne. Sorgen Sie für einen sicheren Stand und halten Sie jederzeit das Gleichgewicht.** Dadurch können Sie das Gerät in unerwarteten Situationen besser kontrollieren.
    - f. **Tragen Sie geeignete Kleidung. Tragen Sie keine weite Kleidung und keinen Schmuck. Halten Sie Ihre Haare, Kleidung und Handschuhe von beweglichen Teilen fern.** Lose sitzende Kleidung, Schmuck oder lange Haare können sich in den beweglichen Teilen verfangen.
    - g. **Falls Vorrichtungen zum Absaugen oder Auffangen von Staub vorhanden sind, vergewissern Sie sich, dass diese angeschlossen sind und richtig verwendet werden.** Das Verwenden einer Staubauffangvorrichtung verringert Gefährdungen durch Staub.
  4. **Gebrauch und Pflege von Geräten**
    - a. **Überlasten Sie das Gerät nicht. Verwenden Sie das für Ihre Arbeit passende Gerät.** Das richtige Gerät wird die Aufgabe besser und sicherer erledigen, wenn es bestimmungsgemäß verwendet wird.
    - b. **Verwenden Sie das Gerät nicht, wenn der Ein-/Ausschalter nicht funktioniert.** Ein Gerät, das sich nicht mehr ein- oder ausschalten lässt, ist gefährlich und muss repariert werden.
    - c. **Ziehen Sie den Stecker aus der Steckdose, oder trennen Sie das Gerät vom Akku, bevor Sie Einstellungen vornehmen, Zubehörteile wechseln oder das Gerät lagern.** Diese Vorbeugemaßnahmen mindern die Gefahr, dass das Elektrogerät unbeabsichtigt startet.
    - d. **Bewahren Sie unbenutzte Geräte außerhalb der Reichweite von Kindern auf. Lassen Sie Geräte nicht von Personen benutzen, die damit nicht vertraut sind oder diese Anweisungen nicht gelesen haben.** Geräte sind in den Händen nicht geschulter Personen gefährlich.
    - e. **Halten Sie das Gerät in einem einwandfreien Zustand. Kontrollieren Sie, ob bewegliche Teile falsch ausgerichtet sind oder klemmen und ob Teile gebrochen oder so beschädigt sind, dass die Funktion des Geräts beeinträchtigt ist. Bei Beschädigungen lassen Sie das Gerät reparieren, bevor Sie es verwenden.** Viele Unfälle entstehen wegen mangelnder Wartung der Geräte.
    - f. **Halten Sie Schneidgeräte scharf und sauber.** Richtig gewartete Schneidwerkzeuge mit scharfen Klingen blockieren seltener und sind leichter unter Kontrolle zu halten.
    - g. **Verwenden Sie Gerät, Zubehör, Einsatz-Bits usw. entsprechend diesen Anweisungen, und berücksichtigen Sie dabei die Arbeitsbedingungen und die auszuführende Arbeit.** Der Gebrauch von Geräten für andere als die vorgesehenen Zwecke kann zu gefährlichen Situationen führen.
  5. **Gebrauch und Pflege von Akkuwerkzeugen**
    - a. **Laden Sie den Akku nur mit dem vom Hersteller vorgesehenen Ladegerät auf.** Für ein Ladegerät, das nur für eine bestimmte Akkuartart geeignet ist, besteht Brandgefahr, wenn es mit anderen Akkus verwendet wird.
    - b. **Verwenden Sie nur die für das jeweilige Gerät vorgesehenen Akkus.** Die Verwendung anderer Akkus kann zu Verletzungen oder Bränden führen.
    - c. **Bewahren Sie den Akku bei Nichtbenutzung nicht in der Nähe metallischer Objekte wie Büroklammern, Münzen, Schlüsseln, Nägeln oder Schrauben auf, da diese eine Verbindung zwischen beiden Polen des Akkus herstellen können.**

Durch den dadurch entstehenden Kurzschluss kann der Akku in Brand geraten.

- d. **Bei falscher Anwendung kann Flüssigkeit aus dem Akku austreten. Vermeiden Sie den Kontakt damit. Bei unbeabsichtigtem Kontakt mit Wasser abspülen. Gelangt die Flüssigkeit in die Augen, ziehen Sie außerdem ärztliche Hilfe hinzu.** Austretende Akkuflüssigkeit kann zu Hautreizungen oder Verbrennungen führen.

## 6. Service

- a. **Lassen Sie das Gerät nur von qualifiziertem Fachpersonal und nur mit Originalersatzteilen reparieren.** Damit wird sichergestellt, dass die Sicherheit des Geräts erhalten bleibt.

### Zusätzliche Sicherheitswarnungen für das Gerät

- ◆ **Verwenden Sie die mitgelieferten Zusatzgriffe.**  
Der Verlust der Kontrolle kann Verletzungen verursachen.
- ◆ **Halten Sie das Gerät an den isolierten Griffflächen fest, wenn Sie Arbeiten ausführen, bei denen verdeckte Kabel durch Werkzeuge beschädigt werden könnten.** Der Kontakt mit stromführenden Leitungen kann auch offen liegende Metallteile am Gerät unter Strom setzen und zu einem Stromschlag führen.
- ◆ **Halten Sie das Gerät an den isolierten Griffflächen fest, wenn Sie Arbeiten ausführen, bei denen verdeckte Kabel beschädigt werden könnten.** Der Kontakt mit stromführenden Leitungen kann auch offen liegende Metallteile am Gerät unter Strom setzen und zu einem Stromschlag führen.
- ◆ **Sichern Sie das Werkstück zum Beispiel mit Einspannvorrichtungen auf einer stabilen Plattform.** Das Werkstück ist instabil, wenn es mit der Hand oder dem Körper abgestützt wird, was zum Verlust der Kontrolle führen kann.
- ◆ Prüfen Sie vor dem Bohren in Wände, Fußböden oder Decken diese Stellen auf dahinterliegende Kabel oder Rohre.
- ◆ Berühren Sie die Spitze des Bohreinsatzes nicht unmittelbar nach dem Bohren, da diese heiß sein kann.
- ◆ Die bestimmungsgemäße Verwendung ist in dieser Betriebsanleitung beschrieben. Die Verwendung von Zubehör- oder Anbauteilen, die nicht in dieser Anleitung empfohlen werden, sowie die Bedienung des Geräts in Abweichung von den in dieser Anleitung beschriebenen Verfahren können zu Verletzungen und/oder Sachschäden führen.

## Sicherheit anderer Personen

- ◆ Lassen Sie diese Maschine niemals von Personen mit eingeschränkten körperlichen, sensorischen oder geistigen Fähigkeiten oder mangelnder Erfahrung und Wissen in Bezug auf diese Anweisungen bedienen,
- ◆ örtliche Bestimmungen können das Alter des Benutzers einschränken.
- ◆ Es sollte stets ein Sicherheitsabstand zu anderen Personen, insbesondere Kindern, und Haustieren eingehalten werden.

## Zusätzliche Sicherheitshinweise für Akku-Nagelmaschinen

- ◆ **Tragen Sie immer eine Schutzbrille.**
- ◆ **Tragen Sie immer einen Gehörschutz.**
- ◆ **Verwenden Sie Befestigungselemente nur des im Handbuch angegebenen Typs.**
- ◆ **Verwenden Sie keinen Ständer zur Befestigung des Werkzeugs an einer Stütze.**
- ◆ **Demontieren oder blockieren Sie keine Teile des Eintreibgeräts, wie die Kontaktauslösung.**
- ◆ **Prüfen Sie vor jeder Verwendung, ob der Sicherheits- und Auslösemechanismus richtig funktioniert und dass alle Schrauben und Muttern fest angezogen sind.**
- ◆ **Verwenden Sie das Werkzeug nicht als Hammer.**
- ◆ **Verwenden Sie das Werkzeug nicht auf einer Leiter.**
- ◆ **Richten Sie ein laufendes Eintreibgerät nie auf sich selbst oder auf andere Personen.**
- ◆ **Halten Sie das Werkzeug während der Arbeit so, dass bei einem möglichen Rückstoß, der aufgrund einer Störung der Stromversorgung oder durch harten Bereiche innerhalb des Werkstücks entstehen kann, keine Verletzungen an Kopf oder Körper verursacht werden können.**
- ◆ **Betätigen Sie das Eintreibgerät nie in Richtung eines freien Raums.**
- ◆ **Tragen Sie das Werkzeug im Arbeitsbereich immer nur an einem Handgriff und niemals bei betätigtem Auslöser.**
- ◆ **Beachten Sie die Bedingungen des Arbeitsbereichs.** Befestigungsmittel können dünne Werkstücke durchdringen oder an Ecken oder Kanten des Werkstücks abrutschen, wodurch eine Verletzungsgefahr entstehen kann.
- ◆ **Treiben Sie Befestigungsmittel nicht nah an der Kante des Werkstücks ein.**
- ◆ **Treiben Sie Befestigungsmittel nicht über anderen Befestigungsmitteln ein.**
- ◆ **Gehen Sie stets davon aus, dass das Werkzeug Befestigungsmittel enthält.** Die sorglose Behandlung der Nagelmaschine kann zum unerwarteten Abfeuern der Nägel und zu Verletzungen führen.

- ◆ **Zeigen Sie mit dem Werkzeug nicht auf sich selbst oder in Richtung anderer Personen.**  
Bei unerwarteter Auslösung werden Nägel abgegeben, wodurch Verletzungen verursacht werden.
- ◆ **Betätigen Sie das Werkzeug nur, wenn es fest am Werkstück anliegt.** Wenn das Werkzeug keinen Kontakt hat, kann das Befestigungsmittel vom vorgesehenen Ziel abgelenkt werden.
- ◆ **Trennen Sie das Werkzeug von der Stromquelle ab, wenn der Nagel im Werkzeug klemmt.** Wenn Sie einen klemmenden Nagel entfernen, kann die Nagelmaschine unbeabsichtigt eingeschaltet werden, wenn sie in eine Steckdose eingesteckt ist.
- ◆ **Verwenden Sie dieses Werkzeug nicht zu Befestigen von Elektrokabeln.** Das Werkzeug ist nicht für die Installation von Elektrokabeln vorgesehen und kann deren Isolierung beschädigen, wodurch Stromschläge oder Brände verursacht werden können.

### Restrisiken

Beim Gebrauch dieses Geräts verbleiben zusätzliche Restrisiken, die möglicherweise nicht in den Sicherheitswarnungen genannt werden. Diese Risiken bestehen beispielsweise bei Missbrauch oder längerem Gebrauch.

Auch bei der Einhaltung der entsprechenden Sicherheitsvorschriften und der Verwendung aller Sicherheitsgeräte bestehen weiterhin bestimmte Restrisiken. Diese sind:

- ◆ Verletzungen, die durch das Berühren von sich drehenden/bewegenden Teilen verursacht werden.
- ◆ Verletzungen, die durch das Austauschen von Teilen, Sägeblättern oder Zubehör verursacht werden.
- ◆ Verletzungen, die durch längeren Gebrauch eines Geräts verursacht werden. Legen Sie bei längerem Gebrauch regelmäßige Pausen ein.
- ◆ Beeinträchtigung des Gehörs.
- ◆ Gesundheitsrisiken durch das Einatmen von Staub beim Gebrauch des Geräts (beispielsweise bei Holzarbeiten, insbesondere Eiche, Buche und Pressspan)

### Vibrationen

Die in den Abschnitten „Technische Daten“ und „EU-Konformitätserklärung“ angegebenen Werte für die Vibrationsemission wurden mit einer Standard-Prüfmethode nach EN 50636 ermittelt und können zum Vergleich verschiedener Geräte herangezogen werden. Außerdem kann mit Hilfe dieses Werts die Belastung bei Verwendung des Geräts schon im Voraus eingeschätzt werden.

**Warnung!** Die bei Verwendung des Geräts auftretende Vibrationsemission hängt von der Art des Gerätegebrauchs ab und kann dementsprechend von dem angegebenen Wert abweichen. Gegebenenfalls kann die Vibration über dem angegebenen Wert liegen.

Für die Ermittlung der Vibrationsbelastung müssen die tatsächlichen Einsatzbedingungen und Verwendungen des Geräts während des gesamten Arbeitsgangs berücksichtigt werden, einschließlich der Zeiten, wenn das Gerät nicht verwendet oder im Leerlauf betrieben wird. Diese Werte werden benötigt, um die gemäß 2002/44/EG erforderlichen Sicherheitsmaßnahmen zum Schutz von Personen festlegen zu können.

### Etiketten am Werkzeug

Am Gerät sind die folgenden Warnsymbole inkl. Datumscode angebracht:



**Warnung!** Zur Reduzierung von Verletzungsgefahren muss der Benutzer die Bedienungsanleitung lesen.



**Warnung!** Zur Reduzierung von Verletzungsgefahren muss der Benutzer Gehör- und Augenschutz tragen.



Halten Sie Hände und andere Körperteile vom unmittelbaren Arbeitsbereich fern.

### Zusätzliche Sicherheitshinweise für Akkus und Ladegeräte

#### Akkus

- ◆ Keinesfalls versuchen, den Akku zu öffnen.
- ◆ Achten Sie darauf, dass der Akku nicht mit Wasser in Berührung kommt.
- ◆ Nicht bei Temperaturen über 40 °C lagern.
- ◆ Laden Sie den Akku nur bei Umgebungstemperaturen von 10 °C bis 40 °C auf.
- ◆ Beachten Sie zur Entsorgung von Akkus oder Batterien die Hinweise im Abschnitt „Umweltschutz“.
- ◆ Der Akku darf nicht durch mechanische Krafteinwirkung oder Belastungen beschädigt oder verformt werden. Andernfalls besteht Verletzungs- und Brandgefahr.
- ◆ Laden Sie beschädigte Akkus nicht auf.
- ◆ Unter extremen Bedingungen können Batterien undicht werden. Wenn Sie feststellen, dass aus dem Akku Flüssigkeit austritt, wischen Sie diese vorsichtig mit einem Tuch ab. Vermeiden Sie Hautkontakt.
- ◆ Beachten Sie nach Haut- oder Augenkontakt die folgenden Hinweise.

**Warnung!** Batteriesäure kann Sach- oder Personenschäden verursachen. Spülen Sie die Säure bei Hautkontakt sofort mit Wasser ab. Suchen Sie einen Arzt auf, wenn sich auf der Haut Rötungen, Reizungen oder andere Irritationen zeigen.



Spülen Sie das Auge nach Augenkontakt sofort mit sauberem Wasser aus, und suchen Sie einen Arzt auf.



Versuchen Sie nie, beschädigte Akkus aufzuladen.

### Ladegeräte

- ◆ Verwenden Sie Ihr Stanley Fat Max Ladegerät nur, um den Akku des Werkzeugs aufzuladen, mit dem es geliefert wurde. Andere Akkus können platzen und Sachschäden oder Verletzungen verursachen.
- ◆ Versuchen Sie keinesfalls, nicht aufladbare Batterien zu laden.
- ◆ Lassen Sie beschädigte Kabel sofort austauschen.
- ◆ Achten Sie darauf, dass das Ladegerät nicht mit Wasser in Berührung kommt.
- ◆ Versuchen Sie nicht, das Ladegerät zu öffnen.
- ◆ Nehmen Sie am Ladegerät keine Veränderungen vor.

### Symbole am Ladegerät



Das Ladegerät darf nur im Innenbereich verwendet werden.



Vor Gebrauch die Anleitung lesen.

### Elektrische Sicherheit



Der Adapter ist schutzisoliert, daher ist keine Erdleitung erforderlich. Stellen Sie sicher, dass die Netzspannung der auf dem Typenschild des Geräts angegebenen Spannung entspricht. Ersetzen Sie den Adapter keinesfalls durch ein normales Netzkabel.

### Merkmale

Dieses Gerät verfügt über einige oder alle der folgenden Merkmale:

1. Auslöseschalter
2. Auslöserspersschalter
3. Tiefeneinstellung
4. Tiefeneinstellungsanzeige
5. Arbeitsleuchte/Anzeigelampe für schwachen Akku/ Stau/Blockierung
6. Blockierungslösehebel
7. Riegel zur Staubeseitigung
8. Kontaktanschlag
9. Magazin
10. Schieberriegel
11. Riemenhaken
12. Schieberriegelfreigabe

### Verwendung

#### Aufladen des Akkus

Der Akku muss vor der erstmaligen Benutzung sowie immer dann aufgeladen werden, wenn das Gerät nicht mehr mit voller Leistung arbeitet.

Der Akku kann sich während des Aufladens erwärmen. Das ist normal und deutet nicht auf ein Problem hin.

**Warnung!** Laden Sie den Akku nicht, wenn die Umgebungstemperatur unter 10 °C oder über 40 °C liegt. Empfohlene Ladetemperatur: ca. 24 °C.

**Hinweis:** Ein Akku, bei dem die Temperatur der Akkuzellen unter ca. 10 °C oder über 40 °C liegt, wird vom Ladegerät nicht geladen.

Lassen Sie in diesem Fall den Akku im Ladegerät. Das Ladegerät beginnt automatisch mit dem Ladevorgang, sobald sich die Zellen erwärmt bzw. abgekühlt haben.

- ◆ Stecken Sie das Ladegerät in eine geeignete Steckdose ein, bevor Sie den Akku einsetzen.
- ◆ Setzen Sie den Akku in das Ladegerät ein.



Die grüne LED blinkt, wenn der Akku geladen wird.



Der Abschluss des Ladevorgangs wird dadurch angezeigt, dass die grüne LED dauerhaft leuchtet. Der Akku ist vollständig aufgeladen und kann jetzt verwendet oder in der Ladestation gelassen werden.

**Warnung!** Laden Sie entladene Akkus so bald wie möglich nach dem Gebrauch wieder auf, da sonst die Batteriebensdauer stark verringert werden kann.

#### Diagnose des Ladegeräts

Das Ladegerät ist so konzipiert, dass es bestimmte Probleme erkennen kann, die am Akku oder der Stromquelle auftreten können. Probleme werden dadurch angezeigt, dass eine LED in verschiedenen Sequenzen blinkt.

#### Defekter Akku



Das Ladegerät kann einen schwachen oder beschädigten Akku erkennen. Die rote LED blinkt mit dem Muster, das auf dem Etikett angegeben ist. Wenn das Blinkmuster für einen defekten Akku zu sehen ist, laden Sie den Akku nicht weiter auf. Bringen Sie ihn zu einem Kundendienstzentrum oder einer Recycling-Sammelstelle.

## Verzögerung heißer/kalter Akku



Wenn das Ladegerät erkennt, dass ein Akku übermäßig heiß oder kalt ist, startet es automatisch eine "Verzögerung heißer/kalter Akku", bis sich der Akku normalisiert hat. Danach schaltet das Ladegerät automatisch in den Akku-Lademodus. Diese Funktion gewährleistet eine maximale Lebensdauer des Akkus. Die rote LED blinkt mit dem Muster, das auf dem Etikett angegeben ist, wenn die "Verzögerung heißer/kalter Akku" erkannt wird.

## Belassen des Akkus im Ladegerät

Sie können den Akku auch im Ladegerät belassen. In diesem Fall leuchtet die LED-Anzeige dauerhaft. Das Ladegerät hält den Akku in einem vollständig geladenen Zustand.

## Wichtige Hinweise zum Aufladen

- ◆ Die längste Lebensdauer und die beste Leistung werden erhalten, wenn der Akku dann geladen wird, wenn die Lufttemperatur zwischen 18° - 24°C liegt. Laden Sie den Akku NICHT bei einer Lufttemperatur unter + 4,5°C oder über +40,5°C. Dies ist wichtig, da so schwere Schäden am Akku verhindert werden.
- ◆ Das Ladegerät und der Akku können sich während des Ladevorgangs warm anfühlen. Dies ist ein normaler Zustand und weist nicht auf ein Problem hin. Um das Abkühlen des Akkus nach dem Gebrauch zu erleichtern, platzieren Sie das Ladegerät und den Akku nicht in einer warmen Umgebung, wie beispielsweise in einem Metallschuppen oder einem nicht isolierten Wohnwagen.
- ◆ Wenn der Akku nicht richtig aufgeladen wird:
  - ◆ Prüfen Sie, ob die Steckdose unter Spannung steht, indem Sie eine Lampe oder ein anderes Gerät an die Steckdose anschließen.
  - ◆ Überprüfen Sie, ob die Steckdose mit einem Lichtschalter verbunden ist, der auch das Gerät ausschaltet, wenn das Licht ausgeschaltet wird.
  - ◆ Bringen Sie Ladegerät und Akku an einen Ort, wo die Umgebungstemperatur ca. 18°-24°C beträgt.
  - ◆ Wenn die Ladeprobleme bestehen bleiben, bringen Sie Gerät, Akku und Ladegerät zu Ihrer lokalen Vertragswerkstatt.

- ◆ Der Akku sollte aufgeladen werden, wenn das Gerät nicht mehr die volle Leistung bringt. Betreiben Sie das Werkzeug in diesem Fall NICHT WEITER. Befolgen Sie die Anweisungen bezüglich des Aufladens. Sie können auch jederzeit einen teilweise entleerten Akku aufladen, ohne dass dies nachteilige Auswirkungen auf den Akku hat.
- ◆ Leitfähige Fremdmaterialien, z.B. unter anderem Stahlwolle, Alufolie oder angesammelte Metallpartikel, sollten von Hohlräumen des Ladegeräts ferngehalten werden. Ziehen Sie den Netzstecker des Ladegerätes immer aus der Steckdose, wenn kein Akku in der Vertiefung steckt. Ziehen Sie den Netzstecker des Ladegerätes vor dem Reinigen aus der Steckdose.
- ◆ Gerät keinem Spritzwasser aussetzen oder in Wasser oder andere Flüssigkeiten tauchen.

**Warnung!** Stromschlaggefahr. Keine Flüssigkeiten in das Ladegerät gelangen lassen. Keinesfalls versuchen, den Akku zu öffnen.

Wenn das Kunststoffgehäuse des Akkus Brüche oder Risse aufweist, bringen Sie es zum Recycling zu einer Vertragswerkstatt.

## Anbringen und Entfernen des Akkus

**Warnung!** Der Verriegelungsknopf muss eingerastet sein, damit keine unbeabsichtigte Bedienung des Ein-/Aus-Schalters vor dem Anbringen bzw. Entfernen des Akkus erfolgen kann.

## Anbringen des Akkus

Setzen Sie den Akku (A1) in das Gerät ein, bis ein Klicken zu hören ist (Abbildung A). Stellen Sie sicher, dass der Akku vollständig eingesetzt und eingerastet ist.

## Entfernen des Akkus

Drücken Sie den Akku-Löseknopf (B1) wie in Abbildung C gezeigt und ziehen Sie den Akku aus dem Gerät.

## Betrieb

**Warnung!** Lesen Sie den Abschnitt mit dem Titel „Sicherheitshinweise zu Nagelmaschinen“ am Anfang dieses Handbuchs. Tragen Sie Augen- und Gehörschutz, wenn Sie mit dem Gerät arbeiten.

Halten Sie die Nagelmaschine von sich und anderen weg. Für einen sicheren Betrieb führen Sie vor jeder Benutzung der Nagelmaschine die folgenden Arbeiten und Kontrollen durch.

**Warnung!** Um die Gefahr von Verletzungen zu vermeiden, trennen Sie den Akku vom Werkzeug und betätigen Sie die Auslösersperre, bevor Sie Wartungsarbeiten durchführen, gestaute Nägel beseitigen, den Arbeitsbereich verlassen, das Werkzeug an eine andere Stelle bringen oder das Werkzeug einer anderen Person übergeben.

**Warnung!** Halten Sie die Finger vom Auslöser WEG, wenn keine Befestigungselemente eingetrieben werden, um ein versehentliches Auslösen zu vermeiden.

Tragen Sie das Werkzeug niemals mit dem Finger am Auslöser.

- ◆ Tragen Sie geeigneten Augen-, Gehör- und Atemschutz.
- ◆ Nehmen Sie den Akkupack aus dem Werkzeug heraus und kuppeln die Auslösersperre ein.
- ◆ Verriegeln Sie den Schieber in der hinteren Position und entfernen Sie alle Nagelstreifen aus dem Magazin.
- ◆ Überprüfen Sie, dass die Kontaktauslösungs- und Schieberbaugruppen reibungslos und ordnungsgemäß funktionieren. Sehen Sie von einer Verwendung des Werkzeugs ab, wenn eine der Baugruppen nicht einwandfrei arbeitet.
- ◆ Verwenden Sie niemals ein Werkzeug, dessen Teile beschädigt sind.

## Bedienung der Nagelmaschine

**Warnung!** Die Kontaktauslösung muss eingedrückt werden, gefolgt vom vollständigen Herausziehen des Auslösers für jeden Nagel, wiederum gefolgt vom Loslassen der Kontaktauslösung und des Auslösers nach jedem Nagel.

**Warnung!** Der Akku sollte immer entfernt werden und die Auslösersperre betätigt werden, wenn Einstellungen vorgenommen werden oder wenn das Werkzeug nicht in Gebrauch ist.

- ◆ Drücken Sie die Kontaktauslösung vollständig gegen die Arbeitsfläche.
- ◆ Ziehen Sie den Auslöser vollständig heraus, dann startet der Motor. (Der Nagel wird in die Arbeitsfläche eingetrieben.)
- ◆ Lassen Sie den Abzug los.
- ◆ Nehmen Sie die Kontaktauslösung von der Arbeitsfläche ab.
- ◆ Wiederholen Sie die obigen 4 Schritte für die nächste Anwendung.

## Vorbereiten des Werkzeugs

**Warnung!** Sprühen Sie NIE Öl, Schmiermittel oder Reinigungslösungen in das Innere des Werkzeugs oder tragen diese auf irgendeine andere Weise auf. Das kann die Lebensdauer und Leistung des Werkzeugs ernsthaft beeinträchtigen.

**Warnung!** Der Akku sollte immer entfernt werden und die Auslösersperre betätigt werden, wenn Einstellungen vorgenommen werden oder wenn das Werkzeug nicht in Gebrauch ist.

- ◆ Lesen Sie die Sicherheitshinweise in dieser Anleitung.
- ◆ Tragen Sie Augen- und Gehörschutz.
- ◆ Entfernen Sie den Akku aus dem Werkzeug und laden Sie ihn vollständig auf.
- ◆ Stellen Sie sicher, dass im Magazin keine Befestigungselemente mehr vorhanden sind.
- ◆ Überprüfen Sie, dass die Kontaktauslösungs- und Schieberbaugruppen reibungslos und ordnungsgemäß funktionieren. Sehen Sie von einer Verwendung des Werkzeugs ab, wenn eine der Baugruppen nicht einwandfrei arbeitet.
- ◆ Halten Sie das Werkzeug von sich und anderen weg.

- ◆ Setzen Sie nur einen vollständig geladenen Akku ein.

## Laden des Werkzeugs

**Warnung!** Halten Sie das Werkzeug von sich und anderen weg. Dies könnte zu schweren Verletzungen führen.

**Warnung!** Legen Sie niemals Nägel ein, wenn die Kontaktauslösung oder der Auslöser aktiviert ist.

**Warnung!** Nehmen Sie immer den Akku heraus, bevor Sie Nägel einlegen oder herausnehmen.

**Warnung!** Der Akku sollte immer entfernt werden und die Auslösersperre betätigt werden, wenn Einstellungen vorgenommen werden oder wenn das Werkzeug nicht in Gebrauch ist.

**Warnung!** Halten Sie die Finger vom Schieber weg, um Verletzungen zu vermeiden.

- ◆ Setzen Sie unten im Magazin (9) Befestigungsmittel ein.
- ◆ Ziehen Sie den Schieber (10) nach unten, bis der Nagelstößel (C1) wie in Abbildung C gezeigt hinter die Nägel fällt.
- ◆ Lassen Sie den Schieber (10) los.

## Entladen des Geräts

**Warnung!** Der Akku sollte immer entfernt werden und die Auslösersperre betätigt werden, wenn Einstellungen vorgenommen werden oder wenn das Werkzeug nicht in Gebrauch ist.

- ◆ Drücken Sie die Freigabetaste für den Schieberriegel (12).
- ◆ Setzen Sie die Nägel von Hand unten in das Magazin (9) ein.
- ◆ Öffnen Sie die Klappe zur Staubeseitigung (7) am Mundstück, um sicherzustellen, dass keine Nägel mehr enthalten sind.

## Tiefeneinstellung (Abb. D, E)

Die Tiefe, in die das Befestigungsmittel eingetrieben werden soll, kann mit dem Tiefeneinstellrad (3) an der Seite des Werkzeugs eingestellt werden.

**Warnung!** Um während der Tiefeneinstellung die Gefahr schwerer Verletzungen durch unbeabsichtigte Betätigung zu reduzieren, beachten Sie immer Folgendes:

- ◆ Entfernen Sie den Akku.
- ◆ Betätigen Sie die Auslösersperre.
- ◆ Vermeiden Sie während der Einstellung den Kontakt mit dem Auslöser.

Die Tiefeneinstellungen befinden sich auf einer gleitenden Skala (4). Die linke Seite zeigt die tiefste und die rechte Seite die geringste Einstellung.

- ◆ Um einen Nagel tiefer einzutreiben, drehen Sie das Tiefeneinstellrad (3) nach unten. Dadurch bewegt sich die Tiefeneinstellungsanzeige (4) auf der Skala nach links.
- ◆ Um einen Nagel weniger tief einzutreiben, drehen Sie das Tiefeneinstellrad (3) nach oben. Dadurch bewegt sich die Tiefeneinstellungsanzeige (4) auf der Skala nach rechts.

## Arbeitsleuchten (Abb. F)

An jeder Seite der Nagelmaschine befinden sich Arbeitsleuchten (5).

Die Arbeitsleuchten schalten sich beim Drücken der Kontaktauslösung ein.

**Hinweis:** Diese Arbeitsleuchten sollen die unmittelbare Arbeitsfläche ausleuchten und sind nicht dazu bestimmt, als Taschenlampe zu fungieren.



## Anzeige für schwache Batterie:

Bei niedrigem Akkuladestatus blinken die Arbeitsleuchten und schalten sich dann komplett aus.



## Anzeige für gestaute Nägel:

Die Arbeitsleuchten blinken dauerhaft, wenn ein Nagel im Mundstück eingeklemmt ist (siehe „Beseitigen eines klemmenden Nagels“).

## Blockierung lösen (Abb. G)

**Warnung!** Wenn eine Blockierung auftritt, deaktiviert sich das Werkzeug selbst und muss zurückgesetzt werden. Folgen Sie dazu den Anweisungen zum Lösen einer Blockierung. Nehmen Sie als nächstes den Akku heraus und setzen ihn wieder ein. Das Werkzeug ist dann wieder einsatzbereit. Wenn die Nagelmaschine unter schweren Bedingungen benutzt wird, in denen alle vorhandene Energie im Motor benötigt wird, um einen Nagel einzuschlagen, kann das Werkzeug abgewürgt werden. Die Einschlagklinge hat den Einschlagzyklus nicht beendet, und der Anzeiger für Stau/Blockierung blinkt. Drehen Sie den Blockierungslösehebel (6) am Werkzeug, und der Mechanismus wird freigegeben, siehe Abbildung G.

**Hinweis!** Das Werkzeug deaktiviert sich selbst und setzt sich nicht zurück, bevor der Akkupack herausgenommen und wieder eingesetzt worden ist. Wenn das Gerät immer noch blockiert, untersuchen Sie bitte das Material und die Nagellänge, um sicher zu sein, dass die Anwendung nicht zu schwer ist. Wenn die

Einschlagklinge nicht automatisch in die Ausgangsposition zurückkehrt, nachdem der Blockierungslösehebel gedreht wurde, gehen Sie zu „Beseitigen eines klemmenden Nagels“.



## Beseitigen eines klemmenden Nagels (Abb. H)

**Warnung!** Um die Gefahr von Verletzungen zu vermeiden, trennen Sie den Akku vom Werkzeug und betätigen Sie die Auslösersperre, bevor Sie Wartungsarbeiten durchführen oder gestaute Nägel beseitigen.

Wenn ein Nagel im Mundstück eingeklemmt ist, halten Sie das Werkzeug von sich weg und gehen Sie folgendermaßen vor, um ihn zu entfernen:

- ◆ Nehmen Sie den Akkupack aus dem Werkzeug heraus und kuppeln die Auslösersperre ein.



- ◆ Drehen Sie den Blockierungslösehebel (6) am Werkzeug, um die Einschlagklinge zu lösen und den Stau zu beseitigen. Wenn Werkzeug noch immer blockiert ist, folgen Sie den 9 Schritten unten:

- ◆ Ziehen Sie Schieber nach unten, bis er einrastet, kippen Sie das Werkzeug dann um, so dass die Nägel frei aus dem Unterteil des Magazins herausrutschen können.



- ◆ Heben Sie den Blockierungslösehebel (7) an und ziehen Sie ihn dann, um die vordere Klappe (14) zu öffnen.
- ◆ Entfernen Sie einen verbogenen Nagel gegebenenfalls mit einer Zange.
- ◆ Befindet sich die Einschlagklinge in der unteren Stellung, schieben Sie einen Schraubendreher in das Mundstück ein und bringen Sie die Klinge in die Ausgangsposition zurück.
- ◆ Schließen Sie die vordere Klappe und betätigen Sie die Drahtform (13) unter den beiden Armen (15) der Kontaktauslösung. Schieben Sie den Blockierungslösehebel (7) nach unten, bis er einrastet.
- ◆ Legen Sie Nägel wieder ins Magazin ein (siehe Laden des Werkzeugs).
- ◆ Ziehen Sie den Drücker (10) nach unten, bis der Nagelstößen (C1) wie in Abbildung C gezeigt hinter die Nägel fällt.
- ◆ Setzen Sie den Akku wieder ein.
- ◆ Lösen Sie die Auslösersperre (2), damit der Auslöser betätigt werden kann.

**Warnung!** Wenn ein Stau auftritt, deaktiviert sich das Werkzeug selbst und muss zurückgesetzt werden. Folgen Sie dazu den Anweisungen zum Beseitigen eines gestauten Nagels. Nehmen Sie als nächstes den Akku heraus und setzen ihn wieder ein. Das Werkzeug ist dann wieder einsatzbereit.

**Hinweis!** Sollte weiterhin häufig Nägel in der Kontaktauslösung steckenbleiben, lassen Sie das Werkzeug von einem autorisierten Stanley Fat Max Händler warten.

## Betrieb bei kaltem Wetter

Betrieb von Werkzeugen bei Temperaturen unter dem Gefrierpunkt:

- ◆ Bewahren Sie das Werkzeug vor der Verwendung so warm wie möglich auf.
- ◆ Verwenden Sie das Werkzeug zuerst 5 oder 6 Mal in Altholz.

## Betrieb bei heißem Wetter

Das Werkzeug sollte normal funktionieren. Halten Sie Werkzeug jedoch von direkter Sonneneinstrahlung fern, das übermäßige Hitze die Dämpfer und andere Gummiteile beeinträchtigen kann, was zu erhöhter Wartung führt.

## Gürtelhaken (Abb. I-J)

**Warnung!** Entfernen Sie die Nägel aus dem Magazin, bevor Sie am Werkzeug Einstellungen oder Wartungsarbeiten vornehmen. Eine Nichtbeachtung kann schwere Verletzungen zur Folge haben.

- ◆ Nehmen Sie den Akkupack aus dem Werkzeug heraus und kuppeln die Auslösersperre ein.
- ◆ Entfernen Sie mit einem Schraubendreher die Schraube aus dem Hohlraum des Aufhängehakens unten am Werkzeug (16).
- ◆ Setzen Sie die vordere Lippe des Aufhängehakens (11) wie in Abbildung I gezeigt in den Hohlraum unten am Werkzeug (16) ein.
- ◆ Sichern Sie den Aufhängehaken (11) mit der mitgelieferten Schraube (17) wie in Abbildung gezeigt J und ziehen Sie ihn mit einem Schraubendreher fest.
- ◆ Setzen Sie den Akku wieder ein.

## Ersatzteile

**Warnung!** Um die Gefahr von Verletzungen zu vermeiden, trennen Sie den Akku vom Werkzeug und betätigen Sie die Auslösersperre, bevor Sie Wartungsarbeiten durchführen oder gestaute Nägel beseitigen.

Das Werkzeug ist mit einer No-Mar-Ersatzspitze ausgestattet, die sich an der Seite des Nagelmagazins befindet.

- ◆ Um das No-Mar-Pad zu ersetzen, ziehen Sie einfach das alte No-Mar-Pad und setzen das neue No-Mar-Pad auf die Kontaktauslösung.

Verwenden Sie nur identische Ersatzteile. Für eine Teilliste oder zum Bestellen von Teilen besuchen Sie unsere Kundendienst-Webseite unter [www.stanley.eu/3co.uk](http://www.stanley.eu/3co.uk). Sie können Ersatzteile auch bei Ihrer nächsten Stanley Fat Max Vertragswerkstatt oder Stanley Fat Max Vertragshändler bestellen.

## Fehlerbehebung

Wenn das Gerät nicht richtig zu funktionieren scheint, befolgen Sie die nachfolgenden Hinweise.

Sollte sich das Problem nicht beheben lassen, wenden Sie sich an eine Stanley Fat Max Vertragswerkstatt in Ihrer Nähe.

**Warnung!** Ziehen Sie den Netzstecker, bevor Sie fortfahren.

Problem	Mögliche Ursache	Mögliche Lösung
Gerät startet nicht.	Akku wurde nicht ordnungsgemäß angebracht.  Akku nicht geladen.  Auslösersperre ist aktiviert.	Prüfen Sie, ob der Akku richtig angebracht wurde.  Prüfen Sie die erforderliche Ladekapazität.  Geben Sie die Auslösersperre frei.
Werkzeug lässt sich nicht betätigen. (Leuchten an, Motor läuft nicht.)	Motor hört nach 2 Sekunden auf zu laufen.	Normaler Betrieb; Auslöser oder Kontaktauslösung lösen und noch einmal drücken.
Werkzeug lässt sich nicht betätigen. (Leuchten blinken)	Schwacher oder beschädigter Akku.	Akku aufladen oder austauschen.
Werkzeug lässt sich nicht betätigen. (Leuchten blinken kontinuierlich)	Befestigungsmittel gestaut/Werkzeug blockiert.  Klemmender Mechanismus	Akku entfernen, Blockierungslösehebel drehen. Klemmendes Befestigungsmittel beseitigen und Akku wieder einsetzen.  Wenden Sie sich an eine autorisierte Kundendienststelle.
Werkzeug lässt sich nicht betätigen. (Leuchten an, Motor läuft, Einschlagklinge steckt in unterer Position)		Wenden Sie sich an eine autorisierte Kundendienststelle.
Werkzeug lässt sich betätigen, treibt aber das Befestigungsmittel nicht vollständig ein.	Schwacher oder beschädigter Akku.  Tiefe ist zu gering eingestellt worden.  Werkzeug nicht fest auf Werkstück aufgelegt.  Zu schwere Bedingungen für Material und Länge des Befestigungsmittels.	Akku aufladen oder austauschen.  Drehen Sie das Tiefeneinstellrad auf eine tiefere Einstellung. Betriebsanleitung lesen.  Wählen Sie passendes Material oder eine geeignete Länge des Befestigungsmittels.

## Wartung

Ihr Stanley Fat Max Gerät (mit und ohne Netzkabel) wurde im Hinblick auf eine lange Lebensdauer und einen möglichst geringen Wartungsaufwand entwickelt. Ein dauerhafter, einwandfreier Betrieb setzt eine regelmäßige Pflege und Reinigung voraus.

**Warnung!** Schalten Sie das Gerät vor der Durchführung von Reinigungsarbeiten aus, und ziehen Sie den Netzstecker.

- ◆ Schmutz und Fett an der Außenseite können mit einem Tuch abgewischt werden.

**Warnung!** Verwenden Sie zur Reinigung nichtmetallischer Geräteteile KEINE Lösungsmittel oder andere aggressive Chemikalien. Diese Chemikalien können das in diesen Teilen verwendete Material aufweichen. Verwenden Sie ein nur mit Wasser und einer milden Seife befeuchtetes Tuch. Achten Sie darauf, dass keine Flüssigkeit in das Gerät gelangt. Tauchen Sie kein Teil des Geräts in Flüssigkeit ein.

**Warnung!** Sprühen Sie NIE Schmiermittel oder Reinigungslösungen in das Innere des Werkzeugs oder tragen diese auf irgendeine andere Weise auf. Das kann die Lebensdauer und Leistung des Werkzeugs ernsthaft beeinträchtigen.

**Wartungshinweise**

Dieses Produkt kann nicht vom Benutzer gewartet werden. Es gibt keine vom Benutzer zu wartenden Teile im Inneren des Geräts. Die Wartung in einer autorisierten Vertragswerkstatt ist erforderlich, um Schäden an elektrostatisch empfindlichen Teilen zu vermeiden.

**Umweltschutz**



Getrennte Entsorgung. Produkte und Batterien, die mit diesem Symbol gekennzeichnet sind, dürfen nicht im normalen Hausmüll entsorgt werden.

Produkte und Akkus enthalten Materialien, die wiederverwertet werden können, um den Bedarf an Rohstoffen zu verringern. Bitte recyceln Sie Elektroprodukte und Batterien gemäß den lokalen Bestimmungen. Weitere Informationen finden Sie auf [www.2helpU.com](http://www.2helpU.com)

**Technische Daten**

		FMC792B Typ:2
Spannung	V <sub>DC</sub>	18
Akkutyp		Li-Ionen
Auslösemodus		Nur
Magazinwinkel		Gerade
Leerlaufdrehzahl	U/min	9100
Antriebsenergie	ca.	60J
Gewicht (ohne Werkzeug)	kg	2.6

Befestigungsmittel		
Länge	mm	25 - 64

Befestigungsmittel		
Schaftdurchmesser	mm	1.6
Winkel		Gerade

Ladegerät		90608625
Eingangsspannung	V <sub>AC</sub>	230
Ausgangsspannung	V <sub>DC</sub>	18
Stromstärke	Ah	2.0
Ungefähre Ladezeit		1 h (2,0 Ah) 2 h (4,0 Ah)
Gewicht (ohne Ladegerät)	kg	0.45

Akku		FMC687L	FMC688L
Spannung	V <sub>AC</sub>	18	18
Kapazität	Ah	2.0ah	4.0ah
Gewicht	kg	0.35	0.67
Typ		Li-Ionen	Li-Ionen

Schalldruckpegel gemessen nach EN 60745-1:	
Schalldruck (L <sub>pA'</sub> )	87 dB(A), Unsicherheitsfaktor (K) 1,5 dB(A)
Schalleistung (L <sub>WA'</sub> )	92 dB(A), Unsicherheitsfaktor (K) 2,5 dB(A)

Gesamtvibration (Triax-Vektorsumme) gemäß EN 60745 - 2 - 16:	
Nägel eintreiben (a <sub>h</sub> )	1,8 m/s <sup>2</sup> , Unsicherheitsfaktor (K) 1,8 m/s <sup>2</sup>

**EU-Konformitätserklärung**

MASCHINENRICHTLINIE



FMC792B - Akku-Nagelmaschine  
Stanley Fat Max erklärt, dass diese unter „Technische Daten“  
beschriebenen Geräte bereinstimmen mit:

EN60745-1: 2009 +A11:2010,

EN 60745 - 2 -16:2010

Diese Produkte entsprechen außerdem den Richtlinien  
2004/108/EG (bis 19.4.2016), 2014/30/EU (ab 20.4.2016),  
2006/42/EC und 2011/65/EU.

Weitere Informationen erhalten Sie von Stanley Fat Max unter der folgenden Adresse. Diese befindet sich auch auf der

Rückseite dieser Anleitung.

Der Unterzeichnete ist verantwortlich für die Zusammenstellung des technischen Dokuments und gibt diese Erklärung im

Namen von Stanley Fat Max.



R. Laverick  
Director of Engineering  
Stanley Fat Max,  
210 Bath Road, Slough,  
Berkshire, SL1 3YD  
Vereinigtes Königreich  
11.01.2016

## Garantie

Stanley Fat Max vertraut auf die Qualität der eigenen Geräte und bietet dem Käufer eine außergewöhnliche Garantie von 12 Monaten ab

Kaufdatum. Diese Garantie versteht sich unbeschadet der gesetzlichen Gewährleistungsansprüche und schränkt diese keinesfalls ein. Diese Garantie gilt innerhalb der Staatsgebiete der Mitgliedstaaten der Europäischen Union und der Europäischen Freihandelszone.

Zur Inanspruchnahme dieser Garantie muss sie den allgemeinen Geschäftsbedingungen von Stanley Fat Max entsprechen und dem Verkäufer bzw. der Vertragswerkstatt ist ein Kaufnachweis vorzulegen. Die Bedingungen für die 1-jährige Garantie von Stanley Fat Max und den Standort Ihrer nächstgelegenen Vertragswerkstatt finden Sie im Internet unter [www.2helpU.com](http://www.2helpU.com) oder indem Sie sich an die lokale Stanley Fat Max-Niederlassung wenden.

Ihr neues Stanley Fat Max-Produkt können Sie auf unserer Website unter [www.stanley.eu/3co.uk](http://www.stanley.eu/3co.uk) registrieren. Dort erhalten Sie auch Informationen über neue Produkte und Sonderangebote.

## Utilisation prévue

Votre cloueur Stanley Fat Max FMC792B a été conçu pour clouer. Cet appareil a été conçu pour les utilisateurs professionnels et non professionnels.

## Consignes de sécurité

### Consignes de sécurité concernant les outils électriques



**Avertissement ! Lisez tous les avertissements et toutes les consignes de sécurité.** Le non-respect des avertissements et des instructions listés ci-dessous peut entraîner des chocs électriques, des incendies et/ou de graves blessures.

**Conservez tous les avertissements et toutes les instructions afin de pouvoir vous y référer dans le futur.** Le terme «outil électrique» mentionné dans tous les avertissements listés ci-dessous fait référence à vos outils électriques branchés sur secteur (avec câble) ou fonctionnant sur pile ou batterie (sans fil).

#### 1. Sécurité de la zone de travail

- a. **Maintenez la zone de travail propre et bien éclairée.** Les zones sombres ou encombrées sont propices aux accidents.
- b. **N'utilisez pas d'outils électriques dans un environnement présentant des risques d'explosion ou en présence de liquides, gaz ou poussières inflammables.** Les outils électriques créent des étincelles qui peuvent enflammer les poussières et les fumées.
- c. **Maintenez les enfants et autres personnes éloignés lorsque les outils électriques sont en marche.** Toute distraction peut vous faire perdre le contrôle de l'outil.

#### 2. Sécurité électrique

- a. **La prise des outils électriques doit correspondre à la prise de courant murale. Ne modifiez la prise d'aucune sorte. N'utilisez aucun adaptateur avec des outils électriques reliés à la terre.** L'utilisation de prises d'origine et de prises murales appropriées permet de réduire le risque de choc électrique.
- b. **Évitez le contact physique avec des surfaces reliées à la terre comme des tuyaux, des radiateurs, des fours et des réfrigérateurs par exemple.** Le risque de choc électrique augmente lorsque le corps est relié à la terre.
- c. **N'exposez pas les outils électriques à la pluie, ni à l'humidité.** Le risque de choc électrique augmente si de l'eau pénètre dans un outil électrique.
- d. **Ne tirez pas sur le cordon d'alimentation.**

- N'utilisez jamais le cordon pour transporter, tirer ou débrancher l'outil électrique. Maintenez le cordon éloigné de la chaleur, des substances grasses, des bords tranchants ou des pièces mobiles. Les cordons endommagés ou emmêlés augmentent le risque de choc électrique.
- e. **Si vous utilisez un outil électrique à l'extérieur, utilisez une rallonge homologuée pour les travaux extérieurs.** L'utilisation d'un cordon adapté pour l'extérieur réduit le risque de choc électrique.
  - f. **Si l'utilisation d'un outil électrique dans un endroit humide est inévitable, utilisez une alimentation électrique protégée par un disjoncteur différentiel.** L'utilisation d'un disjoncteur différentiel réduit le risque de choc électrique.
3. **Sécurité personnelle**
    - a. **Restez vigilant, surveillez ce que vous faites et faites preuve de bon sens lorsque vous utilisez un outil électrique. N'utilisez pas d'outils électriques si vous êtes fatigué ou sous l'influence de drogue, d'alcool ou de médicaments.** Tout moment d'inattention pendant l'utilisation d'un outil électrique peut engendrer de graves blessures.
    - b. **Portez des équipements de protection individuelle. Portez toujours une protection oculaire.** Les équipements de protection comme les masques à poussière, les chaussures de sécurité antidérapantes, les casques ou les protections auditives utilisés à bon escient réduisent le risque de blessures.
    - c. **Empêchez tout démarrage par inadvertance. Assurez-vous que l'interrupteur est en position Arrêt avant de raccorder l'outil à l'alimentation électrique et/ou au bloc-batterie ou avant de ramasser ou de transporter l'outil.** Le fait de transporter les outils électriques le doigt sur l'interrupteur ou d'alimenter les outils électriques dont l'interrupteur est déjà en position de marche augmente les accidents.
    - d. **Retirez toutes les clés ou pinces de réglage avant de mettre l'outil en marche.** Une clé ou une pince restée fixée à la partie rotative de l'outil électrique peut engendrer des blessures.
    - e. **Ne présumez pas de vos forces. Gardez les pieds bien ancrés au sol et conservez votre équilibre en permanence.** Cela permet de mieux maîtriser l'outil électrique en cas de situations imprévues.
    - f. **Portez des vêtements appropriés. Ne portez aucun vêtement ample ou bijou. Gardez vos cheveux, vos vêtements et vos gants éloignés des pièces mobiles.** Les vêtements amples, les bijoux ou les cheveux longs peuvent être happés par les pièces mobiles.
  - g. **Si des dispositifs pour l'extraction des poussières ou des installations pour la récupération sont présents, assurez-vous qu'ils sont correctement raccordés et utilisés.** L'utilisation de dispositifs récupérateurs de poussières réduit les risques liés aux poussières.
4. **Utilisation et entretien des outils électriques**
    - a. **Ne forcez pas sur l'outil électrique. Utilisez l'outil approprié au travail en cours.** Un outil adapté fonctionne mieux, de façon plus sûre et à la cadence pour laquelle il a été conçu.
    - b. **N'utilisez pas l'outil électrique si le bouton Marche/Arrêt est défectueux.** Tout appareil électrique qui ne peut plus être commandé par son interrupteur est dangereux et doit être réparé.
    - c. **Débranchez la prise du secteur et/ou le bloc-batterie de l'outil électrique avant d'effectuer tout réglage, de changer un accessoire ou de ranger l'outil électrique.** Ces mesures de sécurité préventives réduisent le risque de démarrage accidentel de l'outil électrique.
    - d. **Rangez les outils électriques non utilisés hors de portée des enfants et ne laissez aucune personne ne connaissant pas ces outils ou leurs instructions d'utilisation les faire fonctionner.** Les outils électriques peuvent être dangereux entre des mains inexpérimentées.
    - e. **Entretenez vos outils électriques. Vérifiez que les pièces mobiles sont alignées correctement et qu'elles ne sont pas coincées. Vérifiez qu'il n'y a pas de pièces cassées ou toute autre condition qui pourrait nuire au bon fonctionnement de l'outil. En cas de dommage, faites réparer l'outil électrique avant utilisation.** De nombreux accidents sont provoqués par des outils électriques mal entretenus.
    - f. **Maintenez les outils de découpe affûtés et propres.** Des outils de découpe bien entretenus et affûtés sont moins susceptibles de rester coincés et sont plus faciles à contrôler.
    - g. **Utilisez les outils électriques, les accessoires et les embouts d'outil conformément à ces instructions, en tenant compte des conditions de travail, ainsi que du travail à effectuer.** L'utilisation d'un outil électrique à des fins autres que celles pour lesquelles il a été prévu engendre des situations dangereuses.
  5. **Utilisation et entretien de la batterie de l'outil**
    - a. **N'effectuez la recharge qu'à l'aide du chargeur spécifié par le fabricant.** Un chargeur adapté pour un autre type de bloc-batterie peut engendrer un risque d'incendie s'il est utilisé avec un bloc-batterie différent.
    - b. **N'utilisez les outils électriques qu'avec les blocs-batteries qui leurs sont dédiés.** L'utilisation d'un autre bloc-batterie peut engendrer des blessures et un incendie.



- c. Lorsque le bloc-batterie n'est pas utilisé, éloignez-le des objets en métal comme les trombones, les pièces de monnaies, les clés, les clous, les vis ou d'autres petits objets métalliques qui pourraient créer une liaison entre les deux bornes. La mise en court-circuit des bornes d'une batterie peut provoquer des brûlures ou un incendie.
- d. En cas d'utilisation abusive, du liquide peut être éjecté de la batterie. Évitez tout contact avec ce liquide. En cas de contact accidentel, rincez à l'eau. En cas de contact avec les yeux, consultez un médecin. Le liquide projeté de la batterie peut provoquer des irritations ou des brûlures.
6. Réparation
- a. Faites réparer votre outil électrique par une personne qualifiée, n'utilisant que des pièces de rechange d'origine. Cela permet de garantir la sûreté de l'outil électrique.

### Consignes de sécurité supplémentaires concernant les outils électriques

- ◆ Utilisez les poignées auxiliaires livrées avec l'outil. La perte de contrôle peut provoquer des blessures.
- ◆ Tenez l'outil électrique par ses surfaces de préhension isolées lorsque vous l'utilisez dans des endroits où l'accessoire de coupe peut entrer en contact avec des fils cachés. Tout contact de l'accessoire de coupe avec un fil sous tension peut mettre les parties métalliques exposées de l'outil sous tension et provoquer un choc électrique à l'utilisateur.
- ◆ Tenez l'outil électrique par ses surfaces de préhension isolées lorsque vous l'utilisez dans des endroits où le dispositif de fixation peut entrer en contact avec des fils cachés. Tout contact du dispositif de fixation avec un fil sous tension peut mettre les parties métalliques exposées de l'outil sous tension et provoquer un choc électrique à l'utilisateur.
- ◆ Utilisez des pinces ou tout autre moyen pratique pour fixer et soutenir la pièce à travailler sur une plateforme stable. Tenez la pièce à travailler à la main ou contre votre corps la rend instable et peut conduire à une perte de contrôle.
- ◆ Avant de percer des murs, des planchers ou des plafonds, vérifiez l'emplacement des fils électriques et des canalisations.
- ◆ Évitez de toucher le bout d'un foret juste après avoir percé. Il peut être chaud.
- ◆ L'usage prévu est décrit dans ce manuel d'utilisation. L'utilisation d'un accessoire ou d'une fixation ou l'utilisation de cet outil à d'autres fins que celles recommandées dans ce manuel d'utilisation présentent un risque de blessures et/ou de dommages matériels.

### Sécurité des personnes

- ◆ Ne laissez jamais les enfants, les personnes aux capacités physiques sensorielles ou mentales déficientes ou manquant d'expérience ou de connaissances ou les personnes non familiarisées avec ces instructions, utiliser la machine,
- ◆ la réglementation locale peut limiter l'âge de l'utilisateur.
- ◆ Ne laissez personne, surtout les enfants ou les animaux, s'approcher de l'outil pendant son utilisation.

### Consignes de sécurité supplémentaires liée aux cloueurs sans fil

- ◆ Portez toujours des lunettes de protection.
- ◆ Portez toujours des protections auditives.
- ◆ N'utilisez que des fixations du type spécifié dans le manuel.
- ◆ Ne montez jamais l'outil sur un support.
- ◆ Ne démontez et ne bloquez aucune pièce de l'outil entraînant l'organe de fixation comme, par exemple, le déclencheur par contact.
- ◆ Avant chaque opération, vérifiez que les mécanismes de sécurité et de déclenchement fonctionnent correctement et que tous les boulons et écrous sont bien serrés.
- ◆ N'utilisez pas cet outil comme marteau.
- ◆ N'utilisez pas cet outil comme échelle.
- ◆ Ne pointez jamais aucun outil de fixation par entraînement vers vous-même ou d'autres personnes.
- ◆ Pendant l'intervention, maintenez l'outil de sorte que votre tête ou toute autre partie de votre corps ne puisse pas être blessées par un recul en cas de coupure électrique ou de contact avec une zone plus dures dans la pièce à travailler.
- ◆ N'actionnez jamais l'outil de fixation par entraînement dans le vide.
- ◆ Dans la zone de travail, ne transportez l'outil que par sa poignée et sans que la gâchette ne soit enclenchée.
- ◆ Évaluez les conditions de la zone de travail. Les pointes peuvent pénétrer dans les pièces fines ou glisser dans les coins et sur les bords d'une pièce et ainsi mettre les personnes en danger.
- ◆ N'enfoncez pas de pointes près des bords de la pièce à clouer.
- ◆ N'enfoncez pas de pointes au dessus d'autres pointes.
- ◆ Supposez toujours que l'outil contient des attaches. Une manipulation négligente du cloueur peut entraîner la projection inattendue des pointes et donc des blessures.
- ◆ Ne pointez pas l'outil vers vous ou toute autre personne à proximité. Un déclenchement inattendu projette les pointes et provoque des blessures.

- ◆ **N'actionnez pas l'outil avant de l'avoir placé fermement contre la pièce de travail.** Si l'outil n'est pas en contact avec la pièce de travail, la pointe attaque peut dévier de votre cible.
- ◆ **En cas de blocage d'une attache à l'intérieur de l'outil, débranchez celui-ci de la source d'alimentation.** Lors du retrait d'une pointe coincée, le cloueur peut être activé involontairement s'il est branché.
- ◆ **N'utilisez pas cet outil pour fixer des câbles électriques.** Il n'est pas conçu pour l'installation de câbles électriques et pourrait endommager leur isolation et provoquer un choc électrique ou un incendie.

### Risques résiduels

Certains risques résiduels autres que ceux mentionnés dans les avertissements sur la sécurité peuvent survenir en utilisant l'appareil.

Ces risques peuvent être provoqués par une utilisation incorrecte, prolongée, etc...

Malgré l'application des normes de sécurité pertinentes et la présence de dispositifs de sécurité, certains risques résiduels ne peuvent pas être évités. Ils comprennent :

- ◆ Les blessures provoquées par le contact avec les pièces rotatives/mobiles.
- ◆ Les blessures provoquées pendant le remplacement de pièces, de lames ou d'accessoires.
- ◆ Les blessures dues à l'utilisation prolongée d'un outil. Lorsque l'outil est utilisé pendant de longues périodes, assurez-vous de faire des pauses régulières.
- ◆ La diminution de l'acuité auditive.
- ◆ Les risques pour la santé provoqués par l'inhalation des poussières générées pendant l'utilisation de votre outil (exemple : travail avec du bois, surtout le chêne, le hêtre et les panneaux en MDF).

### Vibrations

La valeur des émissions de vibrations déclarée dans les caractéristiques techniques et la déclaration de conformité a été mesurée conformément à la méthode de test normalisée définie dans la norme EN50636 et peut être utilisée pour comparer un outil à un autre. La valeur des émissions de vibrations déclarée peut aussi être utilisée pour une évaluation préliminaire de l'exposition.

**Avertissement !** En fonction de la manière dont l'outil est utilisé, la valeur des émissions de vibrations réelles pendant l'utilisation de l'outil peut différer de la valeur déclarée. Le niveau des vibrations peut dépasser le niveau déclaré.

Quand l'exposition aux vibrations est évaluée afin de déterminer les mesures de sécurité requises par la norme 2002/44/CE pour protéger les personnes utilisant régulièrement des outils électriques, cette estimation doit tenir compte des conditions réelles d'utilisation et de la façon dont l'outil est utilisé.

Il faut également tenir compte de toutes les composantes du cycle de fonctionnement comme la durée pendant laquelle l'outil est arrêté et quand il fonctionne au ralenti, ainsi que la durée du déclenchement.

### Étiquettes sur l'outil

Outre le code date, les symboles suivants sont apposés sur l'outil :



**Attention !** Pour réduire le risque de blessure, l'utilisateur doit lire le manuel d'instructions.



**Attention !** Pour réduire le risque de blessure, l'utilisateur doit porter une protection oculaire.



Tenez les mains et le corps à l'écart de la zone de travail immédiate.

### Consignes de sécurité supplémentaires relatives aux batteries et chargeurs

#### Batteries

- ◆ Ne tentez jamais de les ouvrir sous aucun prétexte.
- ◆ N'exposez pas la batterie à l'eau.
- ◆ Ne la stockez pas dans des endroits où la température peut dépasser 40 °C.
- ◆ Ne les rechargez qu'à une température ambiante comprise entre 10 °C et 40 °C.
- ◆ Lors de la mise au rebut des batteries, respectez les instructions données dans la section « Protection de l'environnement ».
- ◆ Ne déformez/n'endommagez pas le bloc-batterie en le perçant ou en le cognant, cela pourrait conduire à des blessures et à un incendie.
- ◆ Ne rechargez pas les batteries endommagées.
- ◆ Dans des conditions extrêmes, une batterie peut fuir. Si vous détectez une fuite, utilisez un chiffon pour essuyer le liquide avec précaution. Évitez tout contact avec la peau.
- ◆ En cas de contact avec la peau ou les yeux, suivez les instructions ci-dessous.

**Avertissement !** Le liquide de batterie peut provoquer des blessures ou des dommages. En cas de contact avec la peau, rincez immédiatement à l'eau. Si des rougeurs, une douleur ou une irritation se produisent, consultez un médecin. En cas de contact avec les yeux, rincez immédiatement à l'eau et consultez un médecin.



N'essayez pas de recharger des batteries endommagées

## Chargeurs

- ◆ N'utilisez votre chargeur Stanley Fat Max que pour recharger la batterie de l'outil avec laquelle il a été livré. D'autres batteries pourraient exploser et provoquer des blessures et des dommages.
- ◆ Ne tentez jamais de recharger des piles non rechargeables.
- ◆ Faites immédiatement remplacer les cordons endommagés.
- ◆ N'exposez pas le chargeur à l'eau.
- ◆ N'ouvrez pas le chargeur.
- ◆ Ne testez pas le chargeur.

## Symboles sur le chargeur



Le chargeur est conçu pour être exclusivement utilisé à l'intérieur.



Lisez le manuel d'utilisation avant d'utiliser l'outil.

## Sécurité électrique



Votre adaptateur est doublement isolé et ne nécessite donc aucun câble de terre. Vérifiez toujours que la tension du secteur correspond à celle indiquée sur la plaque signalétique. N'essayez jamais de remplacer l'adaptateur par une prise secteur ordinaire.

## Caractéristiques

Cet appareil présente tout ou partie des caractéristiques suivantes.

1. Interrupteur à gâchette
2. Interrupteur de déverrouillage de la gâchette
3. Molette de réglage de la profondeur
4. Indicateur de réglage de la profondeur
5. Voyant éclairage/batterie faible et bourrage/calage
6. Levier de libération en cas de calage
7. Gâche d'élimination de bourrage
8. Déclencheur par contact
9. Magasin
10. Attache du poussoir
11. Crochet de ceinture
12. Dispositif de libération de l'attache du poussoir

## Utilisation

### Chargement de la batterie

La batterie doit être chargée avant la première utilisation et chaque fois qu'elle n'apporte plus assez de puissance pour les travaux réalisés sans peine auparavant.

La batterie peut chauffer pendant la charge. Ce phénomène est normal et n'indique pas un problème.

**Avertissement !** Ne rechargez pas la batterie à une température ambiante inférieure à 10 °C ou supérieure à 40 °C. La température recommandée est d'environ 24 °C.

**Remarque :** Le chargeur ne recharge pas la batterie si la température de la cellule est environ inférieure à 10 °C ou supérieure à 40 °C.

La batterie doit rester dans le chargeur qui démarre automatiquement la charge quand la température de la cellule augmente ou diminue.

- ◆ Branchez le chargeur dans une prise appropriée avant d'insérer le bloc-batterie.
- ◆ Insérez le bloc-batterie dans le chargeur.



Le voyant vert clignote pour indiquer que la batterie est en charge.



La fin de la charge est indiquée par le voyant rouge restant fixe en continu. Le bloc est alors complètement rechargé et il peut soit être utilisé, soit être laissé dans le chargeur.

**Avertissement !** Rechargez les batteries déchargées dès que possible après utilisation pour ne pas grandement diminuer leur durée de vie.

## Diagnostics du chargeur

Ce chargeur est conçu pour détecter certains problèmes qui peuvent survenir avec les blocs-batteries ou les sources d'alimentation. Les problèmes sont signalés par un voyant clignotant de différentes manières.

### Batterie défectueuse



Le chargeur peut détecter une batterie faible ou endommagée. Le voyant rouge clignote de la façon indiquée sur l'étiquette. Arrêtez la charge de la batterie si vous voyez ce motif clignoté indiquant que la batterie est défectueuse. Renvoyez-la dans un centre d'assistance ou un site de collecte pour recyclage.

### Délai Bloc chaud/froid



Lorsque le chargeur détecte que la batterie est trop chaude ou trop froide, il démarre automatiquement un délai Bloc Chaud/Froid, suspendant la charge jusqu'à ce que la batterie se stabilise. Après cela, le chargeur passe automatiquement en mode Charge Bloc. Cette fonctionnalité garantit la durée de vie maximale de la batterie. Le voyant rouge clignote de la façon indiquée sur l'étiquette lorsque le délai Bloc Chaud/Froid est détecté.

### Laisser la batterie dans le chargeur

Le chargeur et le bloc-batterie peuvent rester connectés avec le voyant allumé en continu. Le chargeur maintient le bloc-batterie complètement chargé.

### Remarques importantes sur la charge

- ◆ Une durée de vie prolongée et de meilleures performances peuvent être obtenues si le bloc-batterie est rechargé à une température ambiante comprise entre 18° et 24° C. NE rechargez PAS le bloc-batterie si la température ambiante est inférieure à +4,5° C ou supérieure à +40,5° C. Ceci est important et permet d'éviter le grave endommagement du bloc-batterie.
- ◆ Le chargeur et le bloc-batterie peuvent devenir chauds au toucher pendant la charge. Ceci est normal et n'indique pas un problème. Afin de faciliter le refroidissement du bloc-batterie après utilisation, évitez de placer le chargeur ou le bloc-batterie dans un environnement chaud comme une remise métallique ou une remorque non isolée
- ◆ Si le bloc batterie ne se recharge pas correctement :
  - ◆ Vérifiez le courant au niveau de la prise murale en branchant une lampe ou un autre appareil.
  - ◆ Vérifiez que la prise de courant n'est pas reliée à un interrupteur coupant l'alimentation lorsqu'on éteint l'éclairage.
  - ◆ Déplacez le chargeur et le bloc-batterie dans un endroit où la température ambiante est comprise entre 18° C et 24° C environ.
  - ◆ Si les problèmes de charge persistent, apportez l'outil, le bloc-batterie et le chargeur à votre centre d'assistance local.
- ◆ Le bloc-batterie doit être rechargé lorsqu'il ne parvient plus à fournir la puissance nécessaire aux opérations qui étaient facilement réalisées auparavant. CESSEZ D'UTILISER l'outil dans ces conditions. Respectez la procédure de charge. Vous pouvez également charger un bloc déjà utilisé si vous le souhaitez, sans que cela n'affecte le bloc-batterie.
- ◆ Les corps étrangers de nature conductrice tels que, mais ne se limitant pas à, la laine d'acier, le papier aluminium ou toute accumulation de particules métalliques doivent être tenus éloignés des cavités du chargeur.

Débranchez toujours le chargeur de la prise lorsqu'il n'y a pas de pack batterie dans la cavité. Débranchez le chargeur avant de le nettoyer.

- ◆ Ne congelez pas le chargeur et ne l'immergez pas dans l'eau ou dans tout autre liquide.

**Avertissement !** Risque de choc. Ne laissez aucun liquide pénétrer dans le chargeur. Ne tentez jamais d'ouvrir le bloc-batterie pour quelque raison que ce soit.

Si le corps en plastique du bloc-batterie se casse ou se fissure, retournez-le à un centre d'assistance pour qu'il soit recyclé.

### Installation et retrait du bloc-batterie dans l'outil

**Avertissement !** Avant de retirer ou d'installer la batterie, assurez-vous que le bouton de déverrouillage n'est pas enclenché afin d'empêcher activation de l'interrupteur.

### Pour installer le bloc-batterie

Insérez la batterie (A1) dans l'appareil jusqu'à entendre un clic (Figure A). Assurez-vous que le bloc-batterie est bien en place et correctement verrouillé.

### Pour retirer le bloc-batterie

Appuyez sur le bouton de libération de la batterie (B1) comme illustré par la figure B et tirez sur le bloc-batterie pour le sortir de l'appareil.

### Fonctionnement

**Avertissement !** Lisez la section intitulée Avertissements sur la sécurité du cloueur au début de ce manuel. Portez toujours des protections oculaires et auditives pendant l'utilisation de l'outil.

Ne pointez pas le cloueur vers vous-même ou les autres. Pour un fonctionnement sûr de l'outil, respectez les procédures et les vérifications suivantes avant chaque utilisation du cloueur.

**Avertissement !** Afin de réduire le risque de blessures, débranchez le bloc-batterie de l'outil et enclenchez le dispositif de verrouillage de la gâchette avant d'en effectuer la maintenance, d'éliminer un bourrage de clous, de quitter la zone de travail, de déplacer l'outil à un autre endroit ou de passer l'outil à une autre personne.

**Avertissement !** Gardez vos doigts ÉLOIGNÉS de la gâchette lorsque vous ne clouez pas, afin d'éviter toute projection accidentelle. Ne transportez jamais l'outil un doigt sur la gâchette.

- ◆ Portez toujours des protections oculaires, auditives et respiratoires appropriées.
- ◆ Retirez le bloc-batterie de l'outil et enclenchez le dispositif de verrouillage de la gâchette .
- ◆ Verrouillez le poussoir en position arrière et retirez toutes les bandes de clous du magasin.
- ◆ Vérifiez le bon fonctionnement fluide du déclencheur par contact et du poussoir.

N'utilisez pas l'outil si l'un de ces éléments ne fonctionne pas correctement.

- ◆ N'utilisez jamais un outil dont des pièces sont endommagées.

## Pour utiliser le cloueur

**Avertissement !** Le déclencheur par contact doit être enfoncé avant d'appuyer complètement sur la gâchette à chaque clou puis le déclencheur par contact et la gâchette doivent être relâchés après chaque clou.

**Avertissement !** La batterie doit toujours être retirée et le dispositif de verrouillage de la gâchette enclenché pendant les réglages ou si l'outil n'est pas utilisé.

- ◆ Enfoncez complètement le déclencheur par contact sur la surface à travailler.
- ◆ Enfoncez complètement la gâchette pour que le moteur démarre. (le clou est entraîné dans la surface).
- ◆ Relâchez la gâchette.
- ◆ Soulevez le déclencheur par contact de la surface.
- ◆ Répétez les 4 étapes pour la fixation suivante

## Préparation de l'outil

**Avertissement !** NE pulvérisez et n'appliquez JAMAIS aucun lubrifiant ou solvant de nettoyage à l'intérieur de l'outil. Cela peut nuire gravement à la durée de vie et aux performances de l'outil.

**Avertissement !** La batterie doit toujours être retirée et le dispositif de verrouillage de la gâchette enclenché pendant les réglages ou si l'outil n'est pas utilisé.

- ◆ Lisez la section Consignes de sécurité de ce manuel.
- ◆ Portez des protections oculaires et auditives.
- ◆ Retirez la batterie de l'outil et rechargez-la complètement.
- ◆ Assurez-vous que le magasin est vide.  
Vérifiez le bon fonctionnement fluide du déclencheur par contact et du poussoir. N'utilisez pas l'outil si l'un de ces éléments ne fonctionne pas correctement.
- ◆ Ne pointez pas l'outil vers vous-même ou les autres.
- ◆ Insérez le bloc-batterie complètement rechargé.

## Remplissage de l'outil

**Avertissement !** Ne pointez pas l'outil vers vous-même ou les autres. Elles représentent un risque de blessure grave.

**Avertissement !** Ne remplissez jamais l'outil si le déclencheur par contact ou la gâchette sont enclenchés.

**Avertissement !** Retirez toujours le bloc-batterie avant de remplir ou de vider l'outil.

**Avertissement !** La batterie doit toujours être retirée et le dispositif de verrouillage de la gâchette enclenché pendant les réglages ou si l'outil n'est pas utilisé.

**Avertissement !** Gardez vos doigts éloignés du poussoir afin d'éviter les blessures.

- ◆ Insérez les pointes dans le fond du magasin (9).

- ◆ Tirez le poussoir (10) vers le bas jusqu'à ce que le suiveur de clous

(C1) tombe derrière les pointes comme illustré par la figure C.

- ◆ Relâchez le poussoir (10).

## Vidage de l'outil

**Avertissement !** La batterie doit toujours être retirée et le dispositif de verrouillage de la gâchette enclenché pendant les réglages ou si l'outil n'est pas utilisé.

- ◆ Appuyez sur le bouton de libération de l'attache du poussoir (12).
- ◆ Glissez les pointes à la main vers le fond du magasin (9).
- ◆ Ouvrez la trappe d'élimination des bourrages (7) du nez pour vérifier qu'il ne reste aucune pointe.

## Réglage de la profondeur (Fig. D, E)

La profondeur à laquelle la pointe est entraînée peut être réglée à l'aide de la molette de réglage de profondeur (3) sur le côté de l'outil.

**Avertissement !** Afin de réduire le risque de blessures graves par un déclenchement accidentel pendant le réglage de la profondeur, vous devez toujours :

- ◆ Retirez le bloc-batteries.
- ◆ Enclencher le verrouillage de la gâchette.
- ◆ Évitez tout contact avec la gâchette pendant les réglages.

Les différents réglages de profondeur sont indiqués sur la graduation coulissante (4). Le côté gauche indique la plus grande profondeur et le côté droit indique la plus faible.

- ◆ Pour entraîner une pointe plus profondément, tournez la molette de réglage de profondeur (3) vers le bas. Cela fait glisser l'indicateur de réglage de profondeur (4) vers la gauche de la graduation.
- ◆ Pour entraîner une pointe moins profondément, tournez la molette de réglage de profondeur (3) vers le haut. Cela fait glisser l'indicateur de réglage de profondeur (4) vers la droite de la graduation.

## Éclairage de travail (Fig. F)

Un éclairage de travail (5) se trouve de part et d'autre du cloueur.

Il s'allume dès qu'est enfoncé le déclencheur par contact.

**Remarque :** Cet éclairage sert à éclairer la surface de travail immédiate et il ne doit pas être utilisé comme lampe torche.



## Indicateur batterie faible :

L'éclairage de travail clignote puis s'éteint complètement pour indiquer que la batterie est vide.



### Indicateur de pointe coincée :

L'éclairage de travail clignote en continu si une pointe se coince dans le nez (voir Élimination d'une pointe coincée).

### Réinitialisation après calage (Fig. G)

**Avertissement !** En cas de calage, l'outil se désactive de lui-même et a besoin d'être réinitialisé. Pour ce faire, suivez les instructions pour l'élimination des conditions qui ont provoqué le calage. Retirez ensuite le bloc-batterie avant de le réinsérer. L'outil est à nouveau opérationnel. Si le cloueur est utilisé pour des applications exigeantes où toute la puissance disponible du moteur est utilisée pour entraîner une pointe, l'outil peut caler. La lame d'entraînement n'a pas terminé le cycle d'entraînement et l'indicateur de bourrage/calage clignote. Tournez le levier de libération en cas de calage (6) sur l'outil pour libérer le mécanisme comme illustré par la figure G.

**Remarque !** L'outil se désactivera et ne se réinitialisera que lorsque le bloc batterie aura été retiré, puis remis en place. Si l'appareil continue à caler, veuillez vérifier le matériau et la longueur de l'attache pour vous assurer que l'application n'est pas trop exigeante. Si la lame d'entraînement ne revient pas automatiquement en position d'origine après avoir tourné le levier de libération en cas de calage, effectuer une procédure pour «éliminer une pointe coincée».



### Élimination d'une pointe coincée (Fig. H)

**Avertissement !** Afin de réduire le risque de blessures, débranchez le bloc-batterie de l'outil et enclenchez le verrouillage de la gâchette avant d'effectuer une opération de maintenance ou d'élimination d'une pointe coincée.

Si une pointe se trouve coincée dans le nez, suivez ces instructions pour la retirer tout en ne pointant pas l'outil vers vous :

- ◆ Retirez le bloc-batterie de l'outil et enclenchez le dispositif de verrouillage de la gâchette .



- ◆ Tournez le levier de libération en cas de calage (6) sur l'outil pour libérer la lame d'entraînement et éliminer le bourrage. Si l'outil est toujours coincé, suivez les 9 étapes listées ci-dessous :

- ◆ Tirez le poussoir vers le bas jusqu'à ce qu'il se verrouille en place puis retournez l'outil pour que les pointes sortent librement du fond du magasin.



- ◆ Soulevez la gâche d'élimination de bourrage (7) puis tirez-la vers le haut pour ouvrir la trappe avant (14).
- ◆ Retirez la pointe pliée, à l'aide d'une pince si nécessaire.
- ◆ Si la lame d'entraînement est abaissée, insérez un tournevis ou une autre tige dans le nez pour repousser la lame dans sa position d'origine.
- ◆ Fermez la trappe avant et engagez le fil (13) sous les deux bras (15) du déclencheur par contact. Poussez la gâche d'élimination de bourrage (7) jusqu'à ce qu'elle se bloque en place.
- ◆ Réinsérez les pointes dans le magasin (voir Remplissage de l'outil).
- ◆ Tirez le poussoir (10) vers le bas jusqu'à ce que le suiveur de pointe (C1) tombe derrière les pointes comme illustré sur la figure C.
- ◆ Remontez le bloc batterie.
- ◆ Désenclenchez le verrouillage de la gâchette (2) pour qu'elle puisse à nouveau être actionnée.

**Avertissement !** En cas de bourrage, l'outil se désactive de lui-même et a besoin d'être réinitialisé. Pour ce faire, suivez les instructions pour l'élimination d'une pointe coincée. Retirez ensuite le bloc-batterie avant de le réinsérer. L'outil est à nouveau opérationnel.

**Note !** Si des pointes se coincent régulièrement dans le déclencheur par contact, faites réparer l'outil dans un centre d'assistance Stanley Fat Max agréé.

### Fonctionnement par temps froid

Si vous utilisez l'outil en cas de gel :

- ◆ Maintenez l'outil au chaud autant que possible avant l'utilisation.
- ◆ Actionnez l'outil 5 ou 6 fois dans une chute de bois avant l'intervention.

### Fonctionnement par temps chaud

L'outil doit fonctionner normalement. Cependant, maintenez l'outil éloigné des rayons directs du soleil car la chaleur excessive peut détériorer les tampons et autres pièces en caoutchouc ce qui augmente leur maintenance.

### Crochet de ceinture (Fig. I-J)

**Avertissement !** Retirez toutes les pointes du magasin avant de procéder au réglage ou à la réparation de cet outil. Le non respect de cette consigne peut entraîner de graves blessures.

- ◆ Retirez le bloc-batterie de l'outil et enclenchez le dispositif de verrouillage de la gâchette .
- ◆ À l'aide d'un tournevis, retirez la vis de la cavité du crochet sur la base de l'outil (16).
- ◆ Placez la lèvre avant du crochet (11) dans la cavité de la base de l'outil (16) comme illustré par la figure I.
- ◆ Fixez le crochet (11) avec la vis fournie (17) et serrez-la fermement avec un tournevis comme illustré par la figure J.
- ◆ Remplacez le bloc batterie.

## Pièces détachées

**Avertissement !** Afin de réduire le risque de blessures, débranchez le bloc-batterie de l'outil et enclenchez le verrouillage de la gâchette avant d'effectuer une opération de maintenance ou d'élimination d'une pointe coincée.

L'outil est livré équipé d'un embout anti-trace de rechange qui se trouve sur le côté du magasin à pointes.

- ◆ Pour remplacer le tampon anti-trace, tirez simplement l'ancien tampon et réinstallez le neuf sur le déclencheur par contact.

N'utilisez que des pièces détachées d'origine. Pour obtenir la liste et les numéros de commande des pièces, consultez notre site Internet [www.stanley.eu/3co.uk](http://www.stanley.eu/3co.uk). Vous pouvez également commander des pièces par votre centre d'assistance Stanley Fat Max Factory ou la garantie accordée Stanley Fat Max.

## Dépannage

Si votre appareil semble ne pas fonctionner correctement, suivez les instructions ci-dessous.

Si cela ne résout pas le problème, contactez votre réparateur agréé Stanley Fat Max local.

**Avertissement !** Avant de continuer, débranchez l'appareil.

Problème	Cause possible	Solution possible
L'appareil ne démarre pas.	Le bloc-batterie n'est pas bien installé.	Vérifiez l'installation du bloc-batteries.
	Le bloc-batterie n'est pas rechargé.	Vérifiez les caractéristiques de charge du bloc-batteries.
	Le verrouillage de la gâchette est enclenché.	Désenclenchez le verrouillage de la gâchette.
L'outil ne peut pas être actionné. (Éclairage allumé, le moteur ne tourne pas)	Le moteur s'arrête au bout de 2 secondes.	Fonctionnement normal, relâchez la gâchette ou le déclencheur par contact avant de les renfoncer.
L'outil ne s'actionne pas (l'éclairage clignote)	Batterie faible ou endommagée.	Rechargez ou remplacez la batterie.

Problème	Cause possible	Solution possible
L'outil ne s'actionne pas (l'éclairage clignote en continu)	Pointe coincée / outil calé.	Retirez la batterie, tournez le levier de libération en cas de calage. Éliminez la pointe coincée et réinsérez le bloc-batterie.
	Mécanisme coincé	Consultez un centre d'assistance agréé.
L'outil ne s'actionne pas. (l'éclairage clignote, le moteur tourne, la lame d'entraînement est coincée en bas)		Consultez un centre d'assistance agréé.
L'outil fonctionne mais n'entraîne pas la pointe complètement.	Batterie faible ou endommagée.	Rechargez ou remplacez la batterie.
	Le réglage de profondeur est trop faible.	Tournez la molette de réglage de profondeur à une plus grande profondeur.
	L'outil n'est pas fermement appliqué sur l'ouvrage.	Lisez le manuel d'utilisation.
	Matière et longueur de pointe inadéquates pour l'application.	Choisissez une matière ou une longueur de pointe adaptée.

## Maintenance

Votre appareil/outil sans fil/avec fil Stanley Fat Max a été conçu pour fonctionner pendant longtemps avec un minimum d'entretien. Son bon fonctionnement continu dépend de son entretien et de son nettoyage régulier.

**Avertissement !** Éteignez l'outil et débranchez-le avant de procéder à son nettoyage.

- ◆ Éliminez la saleté et la graisse à l'extérieur de l'appareil à l'aide d'un chiffon.

**Avertissement !** N'utilisez JAMAIS de solvants ou autres produits chimiques agressifs pour nettoyer les parties non métalliques de l'appareil. Ces produits chimiques peuvent abîmer les matières utilisées pour ces pièces. Utilisez un chiffon humidifié avec de l'eau et un savon doux. Évitez toute pénétration de liquide à l'intérieur de l'appareil et ne plongez aucune partie de celui-ci dans du liquide.

**Avertissement !** NE pulvérisiez et n'appliquez JAMAIS de lubrifiants ou de solvants de nettoyage à l'intérieur de l'outil. Cela peut nuire gravement à la durée de vie et aux performances de l'outil.

## Remarques sur la réparation

Ce produit ne peut pas être réparé par l'utilisateur. Il ne contient aucune pièce pouvant être réparée par l'utilisateur. Pour éviter d'endommager des composants internes sensibles à l'électricité statique, confiez toute intervention à un centre de réparation agréé.

## Protection de l'environnement



Tri sélectif. Les produits et batteries marqués de ce symbole ne doivent pas être jetés avec les déchets ménagers.

Les produits et batteries contiennent des matières qui peuvent être récupérées et recyclées afin de réduire la demande en matières premières.

Veuillez recycler les produits électriques et les batteries conformément aux dispositions locales en vigueur. Plus d'informations sont disponibles sur le site [www.2helpU.com](http://www.2helpU.com)

## Données techniques

FMC792B Type 2		
Tension	V <sub>CC</sub>	18
Type de batterie		Li-Ion
Mode de travail		Séquentiel
Angle du chargeur		Droit
Vitesse à vide	tr/min	9100
Puissance d'entraînement	Env.	60J
Poids (outil à nu)	kg	2,6

Pointes		
Longueur	mm	25 - 64
Diamètre de tige	mm	1,6
Angle		Droit

Chargeur			90608625
Tension d'entrée	V <sub>CA</sub>		230
Tension de sortie	V <sub>CC</sub>		18
Courant	Ah		2,0
Durée de charge approximative			1 h (2,0 Ah) 2 h (4,0 Ah)
Poids (chargeur à nu)	kg		0,45

Batterie		FMC687L	FMC688L
Tension	V <sub>CA</sub>	18	18
Capacité	Ah	2.0ah	4.0ah
Poids	kg	0,35	0,67

Batterie		FMC687L	FMC688L
Type		Li-Ion	Li-Ion

Niveau de pression sonore selon la norme EN 60745 - 1 :
Pression sonore (L <sub>pA</sub> ) 87 dB(A), incertitude (K) 1,5 dB(A)
Puissance sonore (L <sub>WA</sub> ) 92 dB(A), incertitude (K) 2,5 dB(A)

Valeurs totales des vibrations (somme vectorielle triaxiale) selon la norme EN 60745 - 2 - 16 :
Pointes agrafes (a <sub>v</sub> ) 1,8 m/s <sup>2</sup> incertitude (K) 1,8 m/s <sup>2</sup>

## Déclaration de conformité CE

DIRECTIVES MACHINES



FMC792B - Cloueur sans fil

Stanley Europe déclare que les produits décrits dans les « Caractéristiques techniques » sont conformes aux normes : EN60745-1 : 2009 +A11:2010, EN 60745 - 2 -16:2010

Ces produits sont aussi conformes aux directives 2004/108/CE (jusqu'au 19/04/2016), 2014/30/UE (partir du 20/04/2016), 2006/42/EC et 2011/65/UE.

Pour plus de détails, veuillez contacter Stanley Fat Max à l'adresse suivante ou reportez-vous au dos du manuel.

Le soussigné est responsable de la compilation du fichier technique et fait cette déclaration au nom de Stanley Fat Max.

R. Laverick  
 Directeur Ingénierie  
 Stanley Fat Max,  
 210 Bath Road, Slough,  
 Berkshire, SL1 3YD  
 Royaume-Uni  
 11/01/2016



## Garantie

Stanley Fat Max est sûr de la qualité de ses produits et offre une garantie de 12 mois aux utilisateurs, à partir de la date d'achat. Cette garantie s'ajoute à vos droits légaux auxquels elle ne porte aucunement préjudice. Cette garantie est valable au sein des territoires des États membres de l'Union Européenne et au sein de la Zone européenne de libre-échange.

Pour prétendre à la garantie, la réclamation doit être en conformité avec les conditions générales de Stanley Fat Max et vous devez fournir une preuve d'achat au vendeur ou au réparateur agréé. Les conditions générales de la garantie de 1 an Stanley Fat Max ainsi que l'adresse du réparateur agréé le plus proche sont disponibles sur le site Internet [www.2helpU.com](http://www.2helpU.com) ou en contactant votre agence Stanley Fat Max locale à l'adresse indiquée dans ce manuel.

Accédez à notre site Internet [www.stanley.eu/3co](http://www.stanley.eu/3co) pour enregistrer votre nouveau produit Stanley Fat Max et être informé des nouveaux produits et des offres spéciales.

## Uso previsto

La vostra chiodatrice cordless Stanley Fat Max FMC792B è stata progettata per le applicazioni di chiodatura. Questo apparecchio concepito per uso professionale e privato e per utenti non professionisti.

## Istruzioni di Sicurezza

### Avvisi di sicurezza generici per gli elettrodomestici



**Avvertenza! Leggere attentamente tutte le avvertenze e le istruzioni.** La mancata osservanza dei presenti avvisi e istruzioni potrebbe causare scosse elettriche, incendi e/o infortuni gravi.

**Conservare tutti gli avvertimenti e le istruzioni per consultazioni future** Il termine "elettrodomestico" che ricorre in tutti gli avvisi seguenti si riferisce ad utensili elettrici con o senza filo.

1. **Sicurezza nella zona di lavoro**
  - a. **Mantenere pulita e bene illuminata l'area di lavoro.** Gli ambienti disordinati o scarsamente illuminati favoriscono gli incidenti.
  - b. **Evitare di usare gli elettrodomestici in ambienti esposti a rischio di esplosione, ad esempio in presenza di liquidi, gas o polveri infiammabili.** Gli apparati elettrici creano scintille che possono incendiare le polveri o i fumi.
  - c. **Tenere lontani bambini e astanti mentre si usa un elettrodomestico.** Le distrazioni possono provocare la perdita di controllo.
2. **Sicurezza elettrica**
  - a. **Le spine elettriche degli elettrodomestici devono essere adatte alla presa. Non modificare la spina in alcun modo. Non collegare un adattatore alla spina di un apparato elettrico dotato di scarico a terra.** Per ridurre il rischio di scossa elettrica evitare di modificare le spine e utilizzare sempre le prese appropriate.
  - b. **Evitare il contatto fisico con superfici collegate a terra, tipo tubi, radiatori, forni e frigoriferi.** Se il proprio corpo è collegato con la terra, il rischio di scossa elettrica aumenta.
  - c. **Custodire gli elettrodomestici al riparo dalla pioggia o dall'umidità.** Se l'acqua entra nell'apparato elettrico aumenta il rischio di scossa elettrica.
  - d. **Non utilizzare il cavo in modo improprio. Non utilizzare mai il cavo per spostare, tirare o scollegare l'apparato elettrico. Tenere il cavo elettrico lontano da fonti di calore, olio, bordi taglienti o parti in movimento.** Se il cavo è danneggiato o impigliato, il rischio di scossa elettrica aumenta.

- e. **Se l'elettrotensile viene adoperato all'aperto, usare esclusivamente prolunghes omologate per l'impiego all'esterno.** L'uso di un cavo elettrico adatto ad ambienti esterni riduce il rischio di scossa elettrica.
- f. **Se non è possibile evitare di lavorare in una zona umida, usare un'alimentazione elettrica protetta da un dispositivo a corrente residua (RCD).** L'uso di un interruttore differenziale riduce il rischio di scossa elettrica.
3. **Sicurezza delle persone**
- a. **È importante concentrarsi su ciò che si sta facendo e maneggiare con giudizio l'elettrotensile. Non utilizzare l'apparato elettrico quando si è stanchi o sotto l'effetto di droghe, alcool o medicinali.** Un solo attimo di distrazione durante l'uso di tali apparati potrebbe provocare gravi lesioni personali
- b. **Usare l'equipaggiamento di protezione personale. Utilizzare sempre protezioni oculari.** L'uso di abbigliamento di protezione quali mascherine antipolvere, scarpe antinfortunistiche antiscivolo, caschi di sicurezza o protezioni uditive, in condizioni opportune consente di ridurre le lesioni personali.
- c. **Impedire l'avviamento involontario. Accertarsi che l'interruttore di accensione sia regolato su spento prima di collegare l'elettrotensile all'alimentazione elettrica e/o al battery pack, di prenderlo in mano o di trasportarlo.** Il trasporto di apparati elettrici tenendo il dito sull'interruttore o quando sono collegati alla rete elettrica con l'interruttore nella posizione di acceso provoca incidenti.
- d. **Prima di accendere un elettrotensile, togliere eventuali utensili o chiavi di regolazione.** Un utensile di regolazione o una chiave fissati su una parte rotante dell'apparato elettrico possono provocare lesioni personali.
- e. **Non sbilanciarsi. Mantenere sempre un appoggio ed equilibrio adeguati.** Ciò consente un migliore controllo dell'apparato nelle situazioni impreviste.
- f. **Vestirsi adeguatamente. Non indossare abiti lenti o gioielli. Tenere i capelli, i vestiti e i guanti lontano dalle parti mobili.** Abiti larghi, gioielli o capelli lunghi possono impigliarsi nelle parti in movimento.
- g. **Se gli elettrotensili sono provvisti di attacchi per il collegamento di dispositivi di aspirazione o di raccolta della polvere, assicurarsi che questi siano installati e utilizzati correttamente.** La raccolta delle polveri può ridurre i pericoli legati a queste ultime.
4. **Uso e cura degli elettrotensili**
- a. **Non sovraccaricare l'elettrotensile. Utilizzare un apparato adatto al lavoro da eseguire.** L'apparato lavora meglio e con maggior sicurezza se utilizzato secondo quanto è stato previsto.
- b. **Non utilizzare elettrotensili con interruttori difettosi.** Qualsiasi apparato elettrico che non possa essere controllato tramite l'interruttore è pericoloso e deve essere riparato.
- c. **Scollegare la spina dalla presa di corrente e/o il battery pack dall'elettrotensile prima di regolarlo, sostituirne gli accessori o di riporlo.** Queste misure di sicurezza preventive riducono il rischio di azionare l'apparato accidentalmente.
- d. **Quando non vengono usati, gli elettrotensili devono essere custoditi fuori dalla portata dei bambini. Non consentire l'uso dell'elettrotensile a persone inesperte o che non abbiano letto le presenti istruzioni.** Gli apparati elettrici sono pericolosi in mano a persone inesperte.
- e. **Sottoporre gli elettrotensili a regolare manutenzione. Verificare che le parti mobili siano bene allineate e non inceppate, che non vi siano componenti rotti e che non sussistano altre condizioni che possono compromettere il funzionamento dell'elettrotensile. Se danneggiato, far riparare l'apparato elettrico prima dell'uso.** Molti incidenti sono provocati da apparati elettrici su cui non è stata effettuata la corretta manutenzione.
- f. **Mantenere affilati e puliti gli strumenti da taglio.** La manutenzione corretta degli utensili da taglio con bordi affilati riduce le probabilità di inceppamento e ne facilita il controllo.
- g. **Utilizzare l'elettrotensile, gli accessori e le punte in conformità alle presenti istruzioni, tenendo conto delle condizioni di lavoro e del lavoro da completare.** L'utilizzo dell'apparato elettrico per impieghi diversi da quelli previsti può provocare situazioni di pericolo.
5. **Uso e cura degli apparati a batteria**
- a. **Ricaricare solo usando l'alimentatore prescritto dal fabbricante.** Un caricabatteria adatto per un tipo di gruppo batterie può esporre al rischio d'incendio se usato con pacco batteria diverso.
- b. **Usare gli elettrotensili con gli appositi battery pack.** L'impiego di battery pack di altro tipo potrebbe creare il rischio di lesioni e di incendi.
- c. **Quando il battery pack non viene usato, tenerlo lontano da altri oggetti metallici tipo graffette, monete, chiavi, chiodi, viti o altri oggetti metallici di piccole dimensioni, che potrebbero cortocircuitare un morsetto con l'altro.** Se i morsetti della batteria vengono cortocircuitati si potrebbero causare ustioni o un incendio.
- d. **In condizioni di sovraccarico, le batterie possono perdere liquido: evitare di toccarlo. In caso di contatto accidentale, sciacquare con acqua. Se il liquido entra a contatto con gli occhi, consultare un medico.** Il liquido che fuoriesce dalla batteria può causare irritazioni o ustioni.

## 6. Assistenza

- a. **Fare riparare l'elettrotensile esclusivamente da personale specializzato e solo usando pezzi di ricambio originali.** In questo modo viene garantita la sicurezza dell'apparato elettrico.

### Altri avvisi di sicurezza per gli elettrotensili

- ◆ **Usare le impugnature ausiliarie fornite con l'elettrotensile.** La perdita del controllo può causare lesioni alla persona.
- ◆ **Tenere l'elettrotensile afferrando le impugnature isolate se vi è la possibilità che l'accessorio di taglio possa venire a contatto con cavi nascosti o con il filo di alimentazione.** Gli accessori da taglio che vengono a contatto con un cavo sotto tensione trasmettono la corrente elettrica anche alle parti metalliche esposte dell'apparato e possono provocare la folgorazione dell'operatore.
- ◆ **Tenere l'elettrotensile afferrando le impugnature isolate se vi è la possibilità che la punta dell'avvitatore possa venire a contatto di cavi nascosti o del filo di alimentazione.** I dispositivi di fissaggio che vengono a contatto con un cavo sotto tensione trasmettono la corrente elettrica anche alle parti metalliche esposte dell'apparato e possono provocare la folgorazione dell'operatore.
- ◆ **Usare morse o altri metodi pratici per fissare e bloccare il pezzo da lavorare ad una piattaforma stabile.** Tenere il lavoro con le mani o contro il corpo non assicura la stabilità e potrebbe portare ad una perdita del controllo.
- ◆ Prima di trapanare pareti, pavimenti o soffitti, controllare l'ubicazione di fili e tubazioni.
- ◆ Evitare di toccare la punta di una punta del trapano subito dopo la trapanatura, dato che potrebbe essere calda.
- ◆ L'utilizzo previsto è indicato nel presente manuale. Se questo elettrotensile viene usato con accessori o per usi diversi da quelli raccomandati nel presente manuale d'uso, si potrebbero verificare lesioni personali e/o danni alle cose.

### Sicurezza altrui

- ◆ Non permettere mai a bambini, persone con capacità fisiche, sensoriali o mentali ridotte o mancanza di esperienza e di conoscenze o persone che non sono a conoscenza delle istruzioni di utilizzare la macchina,
- ◆ le normative locali possono limitare l'età dell'operatore.
- ◆ Non usare mai il tosaerba se vi sono astanti, in modo particolare bambini, o animali domestici, nelle vicinanze.

### Istruzioni di sicurezza aggiuntive per chiodatrici cordless

- ◆ **Indossare sempre occhiali di protezione.**
- ◆ **Indossare sempre delle otoprotezioni.**
- ◆ **Utilizzare dispositivi di fissaggio esclusivamente del tipo specificato nel manuale.**

- ◆ **Non utilizzare piedistalli per il montaggio dell'utensile a un supporto.**
- ◆ **Non smontare o bloccare le parti dell'avvitatore del dispositivo di fissaggio, come l'interruttore di contatto.**
- ◆ **Prima di ciascuna operazione, controllare che il meccanismo di sicurezza e attivazione funzionino correttamente e che tutti i dadi e i bulloni siano serrati.**
- ◆ **Non utilizzare l'utensile come martello.**
- ◆ **Non utilizzare l'utensile su una scala a pioli.**
- ◆ **Non puntare mai l'utensile avvitatore del dispositivo di fissaggio verso di sé o altre persone.**
- ◆ **Durante il lavoro, tenere l'utensile in modo tale che non sia possibile provocare lesioni alla testa o al corpo in caso di un eventuale rinculo dovuto a un'interruzione dell'energia o ad aree dure nel pezzo.**
- ◆ **Non azionare mai l'utensile avvitatore del dispositivo di fissaggio in uno spazio libero.**
- ◆ **Nell'area di lavoro, trasportare l'utensile sul posto di lavoro esclusivamente con l'impugnatura e mai con il grilletto azionato.**
- ◆ **Considerare le condizioni nell'area di lavoro. I dispositivi di fissaggio possono penetrare all'interno di pezzi sottili o sfilarsi dagli angoli e dagli spigoli del pezzo, e, pertanto, mettere a rischio l'incolumità delle persone.**
- ◆ **Non inserire i dispositivi di fissaggio vicino al bordo del pezzo da lavorare.**
- ◆ **Non inserire dispositivi di fissaggio sopra altri dispositivi di fissaggio.**
- ◆ **Presumere sempre che la spara punti sia carica.** Se non si presta attenzione quando si maneggia la chiodatrice è possibile sparare inavvertitamente dei chiodi/punti e provocare lesioni a persone.
- ◆ **Non puntare l'elettrotensile verso se stessi o altri astanti nelle vicinanze.** Attivando inavvertitamente l'utensile è possibile sparare chiodi/punti e provocare lesioni.
- ◆ **Non attivare l'elettrotensile a meno che non sia appoggiato in modo ben saldo contro il pezzo.** Se l'elettrotensile non è a contatto del pezzo, il punto potrebbe non raggiungere il bersaglio.
- ◆ **Scollegare l'elettrotensile dalla presa di corrente se un punto si inceppa al suo interno.** La chiodatrice può essere attivata inavvertitamente se si rimuove il chiodo/punto inceppato quando è collegata alla presa.
- ◆ **Non usare questo utensile per fissare cavi elettrici.** Esso non è stato progettato per l'installazione di cavi elettrici e potrebbe danneggiare l'isolamento causando scosse elettriche o il pericolo di incendio.

### Rischi residui

L'utilizzo dell'apparecchio può comportare altri rischi non contemplati negli avvisi di sicurezza qui riportati.

Tali rischi possono sorgere a seguito di un uso prolungato o improprio, ecc. Pur osservando le norme di sicurezza e utilizzando dispositivi di protezione adeguati, certi rischi non possono essere evitati. Sono inclusi:

- ◆ Lesioni causate o subite a seguito del contatto con parti rotanti/in movimento.
- ◆ Lesioni causate o subite durante la sostituzione di parti, lame o accessori.
- ◆ Lesioni causate dall'impiego prolungato di un elettro-utensile. Quando si usa qualsiasi apparecchio per lunghi periodi, accertarsi di fare regolarmente delle pause.
- ◆ Menomazioni uditive.
- ◆ Rischi per la salute causati dall'aspirazione di polvere generata dall'utilizzo dell'elettro-utensile (ad esempio quando si lavora con il legno, in modo particolare quello di quercia, faggio o l'MDF.)

### Vibrazioni

I valori dichiarati delle emissioni di vibrazioni, indicati nei dati tecnici e nella dichiarazione di conformità del presente manuale, sono stati misurati in base al metodo di test standard previsto dalla normativa EN50636 e possono essere usati come paragone tra un attrezzo e un altro. Il valore delle emissioni di vibrazioni dichiarato può anche essere usato come valutazione preliminare dell'esposizione.

**Avvertenza!** Il valore delle emissioni di vibrazioni durante l'impiego effettivo dell'elettro-utensile può variare da quello dichiarato a seconda delle modalità d'uso. Il livello delle vibrazioni può aumentare oltre quello dichiarato.

Quando si valuta l'esposizione alle vibrazioni per determinare le misure di sicurezza richieste dalla normativa 2002/44/CE destinata alla protezione delle persone che usano regolarmente gli elettro-utensili nello svolgimento delle proprie mansioni, è necessario prendere in considerazione le condizioni effettive di utilizzo e il modo in cui l'utensile è usato, oltre a tenere in conto tutte le componenti del ciclo operativo, vale a dire i periodi in cui l'elettro-utensile è spento, quelli in cui è acceso ma a riposo e quelli in cui è effettivamente utilizzato.

### Etichette sull'apparato

Sull'elettro-utensile sono presenti i seguenti simboli assieme al codice data:



**Avvertenza!** Per ridurre il rischio di lesioni, l'utente deve leggere il manual d'istruzioni.



**Avvertenza!** Per ridurre il rischio di lesioni, l'utente deve indossare protezioni per gli occhi e per le orecchie.



Tenere le mani e le parti del corpo lontano dalla superficie di lavoro immediata.

### Istruzioni di sicurezza aggiuntive per batterie e caricabatterie

#### Batterie

- ◆ Non tentare mai di aprire le batterie per qualsiasi motivo.
- ◆ Non lasciare che le batterie si bagnino.
- ◆ Non riporre in luoghi dove la temperatura potrebbe superare 40°C.
- ◆ Caricare solo a temperature ambiente tra 10 °C e 40 °C.
- ◆ Per lo smaltimento delle batterie, seguire le istruzioni fornite alla sezione "Protezione dell'ambiente".
- ◆ Non danneggiare/deformare il battery pack forandolo o colpendolo per evitare il rischio di lesioni o di incendio.
- ◆ Non caricare le batterie danneggiate.
- ◆ In condizioni estreme, si potrebbe verificare la perdita di liquido dalle batterie. Se si nota la presenza di liquido sulle batterie, pulirle con attenzione con uno straccio. Evitare il contatto con l'epidermide.
- ◆ In caso di contatto con l'epidermide o gli occhi, seguire le istruzioni riportate di seguito.

**Avvertenza!** Il liquido della batteria può causare lesioni alle persone o danni alle cose. In caso di contatto con la pelle, risciacquare immediatamente con acqua. In caso di rossore, dolore o irritazione, rivolgersi immediatamente a un medico. In caso di contatto con gli occhi, risciacquarli immediatamente con acqua pulita e consultare un medico.



Non tentare di caricare le batterie danneggiate.

#### Caricabatterie

- ◆ Utilizzare il caricatore Stanley Fat Max esclusivamente per caricare la batteria nell'utensile con il quale è stata fornita. Altre batterie potrebbero scoppiare causando lesioni alle persone e danni alle cose.
- ◆ Non tentare mai di caricare batterie non ricaricabili.
- ◆ Fare sostituire immediatamente i fili di alimentazione difettosi.
- ◆ Non lasciare che il caricabatteria si bagni.
- ◆ Non aprire il caricabatterie.
- ◆ Non aprire il caricabatterie.

### Simboli sull'alimentatore



L'alimentatore può solo essere usato all'interno



Leggere il presente manuale d'uso prima dell'impiego.

## Sicurezza elettrica



Il doppio isolamento di cui è provvisto l'adattatore rende superfluo il filo di terra. Controllare sempre che la tensione di rete corrisponda a quella indicata sulla targhetta dei dati tecnici. Non tentare mai di sostituire l'adattatore con una normale spina elettrica.

## Caratteristiche

Questo apparecchio presenta alcune o tutte le seguenti caratteristiche.

1. Interruttore a grilletto
2. Interruttore di blocco a grilletto
3. Rotellina di regolazione della profondità
4. Asta di regolazione della profondità
5. Spia di torcia scarica e inceppamento/stallo
6. Leva di rilascio dallo stallo
7. Chiusura di eliminazione degli inceppamenti
8. Scatto a contatto
9. Caricatore
10. Fermo dispositivo di spinta
11. Gancio a nastro
12. Rilascio fermo dispositivo di spinta

## Utilizzo

### Caricamento della batteria

La batteria deve essere caricata prima dell'impiego iniziale e quando non eroga una potenza sufficiente per lavori che prima era possibile eseguire facilmente.

Durante la carica, la batteria potrebbe riscaldarsi. Si tratta di un fatto normale che non indica che vi è un problema.

**Avvertenza!** Non ricaricare la batteria a temperature ambientali inferiori a 10°C o superiori a 40°C. La temperatura di ricarica consigliata è di circa 24°C.

**Nota:** Il caricabatteria non carica una batteria se la temperatura della cella è inferiore a 10 °C o superiore a 40 °C.

La batteria deve essere lasciata nel caricabatteria, che incomincerà a caricare automaticamente quando la temperatura della cella aumenta o diminuisce.

- ◆ Collegare il caricabatteria ad una presa di corrente adatta prima di inserire il pacco batteria.
- ◆ Inserire il pacco batteria nel caricatore.



Il LED verde lampeggia mentre la ricarica è in corso.



Il completamento della carica sarà indicato dal LED verde che rimane continuamente acceso. Il pacco è completamente carico e può essere utilizzato in questo momento o lasciato nel caricabatteria.

**Avvertenza!** Ricaricare le batterie scariche al più presto dopo l'uso, altrimenti la durata della batteria potrebbe diminuire notevolmente.

### Diagnostica del caricabatteria

Questo caricabatteria è progettato per rilevare alcuni problemi che possono sorgere con i pacchi batteria o la fonte di alimentazione. I problemi sono indicati da un LED che lampeggia secondo schemi differenti.

### Batteria guasta



Il caricabatteria è in grado di rilevare una batteria scarica o danneggiata. Il LED rosso lampeggia secondo lo schema indicato sull'etichetta. Se compare questo schema di batteria guasta, non continuare a caricare la batteria. Restituirla presso un centro di servizio o un sito di raccolta per il riciclaggio.

### Ritardo pacco caldo/freddo



Quando il caricabatteria rileva una batteria troppo calda o troppo fredda avvia automaticamente la funzione di ritardo pacco caldo/freddo, sospendendo il caricamento finché la batteria non ha raggiunto la temperatura normale. In seguito, il caricabatteria passa automaticamente alla modalità Ricarica pacco. Questa funzione garantisce la massima durata della batteria. Il LED rosso lampeggia secondo lo schema indicato sull'etichetta quando viene rilevato un ritardo pacco caldo/freddo.

### Batteria lasciata nel caricabatteria

Il caricabatteria e il pacco batteria possono essere lasciati collegati con il LED sempre acceso. Il caricabatteria manterrà il pacco batteria come nuovo e completamente carico.

### Note importanti sul caricamento

- ◆ Si possono ottenere la massima durata e le migliori prestazioni se il battery pack è carico quando la temperatura dell'aria è tra 18°- 24°C. NON caricare il battery pack in una temperatura dell'aria al di sotto di +4,5°C, o al di sopra di +40,5°C. Questo è importante e impedirà gravi danni al battery pack.

- ◆ Il caricatore e il battery pack possono diventare caldi al tatto durante la carica. È un fatto normale che non indica la presenza di problemi. Per facilitare il raffreddamento del battery pack dopo l'uso, evitare di posizionare il caricatore o il battery pack in un ambiente caldo come ad esempio in un capannone di metallo, o un rimorchio non isolato.
- ◆ Se il battery pack non si ricarica correttamente:
  - ◆ Controllare la presenza di corrente nella presa collegandovi una lampada o apparecchio simile.
  - ◆ Verificare se la presa è collegata ad un interruttore della luce che si spegne quando si spengono le luci.
  - ◆ Spostare il caricatore e il battery pack in un luogo dove la temperatura dell'aria circostante è di circa 18° - 24 °C).
  - ◆ Se i problemi di ricarica persistono, portare l'utensile, la batteria e il caricabatterie presso il centro di assistenza di zona.
- ◆ Il battery pack deve essere sostituito se non riesce a produrre energia a sufficienza per lavorazioni che prima venivano svolte con facilità. NON CONTINUARE l'utilizzo in queste condizioni. Seguire la procedura di ricarica. È anche possibile caricare un pacco parzialmente utilizzato ogni volta che si desidera senza alcun effetto negativo sulla batteria.
- ◆ Materiali estranei di natura conduttiva quali, a titolo esemplificativo, ma non esaustivo, lana d'acciaio, fogli di alluminio o qualsiasi accumulo di particelle metalliche devono essere tenuti lontano dalle cavità del caricabatterie. Staccare sempre il caricabatterie dalla presa quando il pacco batteria non è in sede. Staccare il caricabatterie dalla presa prima di cominciare a pulirlo.
- ◆ Non congelare né immergere il caricabatteria in acqua o in qualsiasi altro liquido.

**Avvertenza!** rischio di scossa elettrica. Non far penetrare alcun liquido dentro al caricabatterie. Non cercare mai di aprire il battery pack per alcun motivo.

Se l'alloggiamento in plastica del battery pack si rompe o si crepa, riportarlo presso un centro di assistenza per il riciclaggio.

### Inserimento e rimozione del battery pack dall'apparecchio

**Avvertenza!** Verificare che il pulsante di bloccaggio non sia attivato per evitare l'azionamento dell'interruttore mentre si estrae o si inserisce la batteria.

### Per installare il battery pack

Inserire la batteria (A1) nell'apparecchio finché non si sente un clic (Figura B). Assicurarsi che il battery pack sia insediato a fondo e completamente bloccato in posizione.

### Per rimuovere il battery pack

Premere il pulsante di rilascio della batteria (B1) come indicato in Figura B ed estrarre la batteria dall'utensile.

### Funzionamento

**Avvertenza!** Leggere la sezione intitolata Avvertenze di sicurezza della chiodatrice all'inizio di questo manuale. Indossare protezioni oculari e otoprotezioni quando si usa l'elettrotutensile.

Tenere la chiodatrice puntata lontano da sé e dagli altri. Per un funzionamento sicuro, completare le seguenti procedure e verifiche prima di ciascun utilizzo della chiodatrice.

**Avvertenza!** Per ridurre il rischio di lesioni personali, scollegare il battery pack dall'utensile e innestare il blocco a grilletto prima di eseguire la manutenzione, eliminare chiodi inceppati, lasciare l'area di lavoro, spostare l'utensile in un'altra posizione o consegnare l'utensile ad un'altra persona.

**Avvertenza!** Tenere le dita LONTANO dal grilletto quando non inseriscono dispositivi di fissaggio per evitare un funzionamento accidentale. Non trasportare mai l'utensile con il dito sul grilletto.

- ◆ Indossare sempre una maschera, otoprotezioni e occhiali idonei..
- ◆ Rimuovere il battery pack dallo strumento e inserire il blocco del grilletto di azionamento.
- ◆ Bloccare il dispositivo di spinta in posizione arretrata e rimuovere tutti i chiodi dal caricatore.
- ◆ Controllare il funzionamento corretto dei pezzi di assemblaggio dell'interruttore di contatto e del dispositivo di spinta. Non utilizzare l'utensile se uno dei due pezzi di assemblaggio non funziona correttamente.
- ◆ Non utilizzare mai un utensile con parti danneggiate.

### Per azionare la chiodatrice

**Avvertenza!** L'interruttore di contatto deve essere premuto seguito da un tiro completo del grilletto per ciascun chiodo seguito dallo sgancio sia dell'interruttore di contatto che del grilletto dopo ciascun chiodo.

**Avvertenza!** La batteria deve essere sempre rimossa e il blocco a grilletto attivato ogniqualvolta vengano effettuate regolazioni o quando l'utensile non è in uso.

- ◆ Premere completamente l'interruttore di contatto contro la superficie di lavoro.
- ◆ Tirare completamente il grilletto e il motore partirà. (Il chiodo sarà inserito nella superficie di lavoro).
- ◆ Rilasciare il grilletto.
- ◆ Sollevare l'interruttore di contatto dalla superficie di lavoro.
- ◆ Ripetere i 4 passaggi di cui sopra per l'applicazione successiva.

### Preparazione dell'utensile

**Avvertenza!** Non spruzzare o applicare MAI in qualsiasi altro modo lubrificanti o solventi all'interno dell'utensile.

Questo può compromettere seriamente la vita e le prestazioni dell'utensile.

**Avvertenza!** La batteria deve essere sempre rimossa e il blocco a grilletto attivato ogniqualvolta vengano effettuate regolazioni o quando l'utensile non è in uso.

- ◆ Leggere la sezione Istruzioni di sicurezza del presente manuale.
- ◆ Indossare protezioni oculari e otoprotezioni.
- ◆ Rimuovere la batteria dall'utensile e caricare completamente.
- ◆ Assicurarsi che il caricatore sia completamente vuoto.
- ◆ Controllare il funzionamento corretto dell'interruttore di contatto e del dispositivo di spinta. Non utilizzare l'utensile se uno dei due pezzi di assemblaggio non funziona correttamente.
- ◆ Tenere l'utensile puntato lontano da sé e dagli altri..
- ◆ Inserire un battery pack completamente carico.

### Caricamento dell'utensile

**Avvertenza!** Tenere l'utensile puntato lontano da sé e dagli altri. Potrebbero verificarsi lesioni gravi alle persone.

**Avvertenza!** Non caricare mai chiodi con l'interruttore di contatto o il grilletto attivati.

**Avvertenza!** Rimuovere sempre il battery pack prima di caricare o scaricare chiodi.

**Avvertenza!** La batteria deve essere sempre rimossa e il blocco a grilletto attivato ogniqualvolta vengano effettuate regolazioni o quando l'utensile non è in uso.

**Avvertenza!** Tenere le dita lontano dal dispositivo di spinta per impedire lesioni.

- ◆ Inserire punti nel fondo del caricatore (9).
- ◆ Tirare il dispositivo di spunta (10) verso il basso finché la chiodatrice (C1) non si trova in posizione arretrata rispetto ai chiodi come indicato in figura C.
- ◆ Rilasciare il dispositivo di spinta (10).

### Scaricamento dell'apparato

**Avvertenza!** La batteria deve essere sempre rimossa e il blocco a grilletto attivato ogniqualvolta vengano effettuate regolazioni o quando l'utensile non è in uso.

- ◆ Premere il pulsante di sgancio della chiusura del dispositivo di spinta (12).
- ◆ Far scivolare manualmente i chiodi verso il fondo del caricatore (9).
- ◆ Aprire lo sportello di eliminazione degli inceppamenti (7) sulla punta per accertarsi che non rimangano chiodi.

### Regolazione della profondità (Fig. D, E)

La profondità di inserimento della punta può essere regolata utilizzando la manopola di regolazione della profondità (3) sul lato dell'utensile.

**Avvertenza!** Per ridurre il rischio di lesioni gravi per via dell'azionamento accidentale durante il tentativo di regolazione della profondità, fare sempre quanto segue:

- ◆ Rimuovere il battery pack.
- ◆ Innestare il blocco a grilletto.
- ◆ Evitare il contatto con il grilletto durante le regolazioni.

Le impostazioni della profondità sono su una scala mobile (4). Il lato sinistro indica la più profonda e il lato destro indica la più superficiale.

- ◆ Per inserire un chiodo più in profondità, ruotare la manopola di regolazione della profondità (3) verso il basso. Questa operazione farà scorrere l'indicatore di regolazione della profondità (4) a sinistra sulla scala.
- ◆ Per inserire un chiodo meno in profondità, ruotare la manopola di regolazione della profondità (3) verso l'alto. Questa operazione farà scorrere l'indicatore di regolazione della profondità (4) a destra sulla scala.

### Torce (Fig. F)

Sono presenti delle torce (5) su ciascun lato della chiodatrice. Le torce si accendono alla pressione dell'interruttore di contatto.

**Nota:** Queste torce sono intese per l'illuminazione della superficie immediata di lavoro e non devono essere usate come torce per illuminazione.



### Indicatore di batteria in esaurimento

Le torce lampeggiano e poi si spengono completamente per indicare che la batteria è scarica.



### Indicatore chiodo inceppato:

Le torce lampeggiano continuamente se un chiodo rimane inceppato nella punta (vedi Eliminazione di un chiodo inceppato).

### Rilascio dallo stallo (Fig. G)

**Avvertenza!** Se si verifica uno stallo, l'utensile si disattiverà e sarà necessario resettarlo. Per farlo, seguire le istruzioni sull'eliminazione di una condizione di stallo. Successivamente, rimuovere il battery pack e quindi reinserirlo. Ora l'utensile sarà operativo.

Se la chiodatrice viene utilizzata in applicazioni con materiali duri in cui viene utilizzata tutta l'energia disponibile nel motore per inserire un chiodo/punto, l'utensile può spegnersi. La lama di guida non completa il ciclo di inserimento e la spia di inceppamento/stallo(e) lampeggia. Ruotare la leva di rilascio dallo stallo (6) sull'utensile e

il meccanismo attuerà il rilascio come mostrato in figura G.

**Nota!** lo strumento si disattiva e non si ripristina fino a quando non è stato rimosso e reinserito il pacco batteria. Se l'unità rimane in condizioni di stallo modificare il materiale e la lunghezza dei chiodi/punti per essere sicuri che il materiale sul quale sono applicati non sia troppo duro. Se la lama di guida non torna automaticamente alla posizione iniziale dopo aver ruotato la leva di rilascio dello stallo, procedere a "Eliminazione di un chiodo inceppato".



### Eliminazione di un chiodo inceppato (Fig. H)

**Avvertenza!** Per ridurre il rischio di lesioni personali, scollegare il battery pack dall'utensile e innestare il blocco a grilletto prima di eseguire la manutenzione o l'eliminazione di un chiodo inceppato.

Se un chiodo rimane inceppato nella punta, tenere l'utensile puntato lontano da sé e seguire le istruzioni per la rimozione:

- ◆ Rimuovere il battery pack dallo strumento e inserire il blocco del grilletto di azionamento.



- ◆ Ruotare la leva di rilascio dello stallo (6) sull'utensile per rilasciare la lama di guida ed eliminare l'inceppamento. Se l'utensile è ancora inceppato, seguire i 9 passaggi elencati di seguito:

- ◆ Tirare il dispositivo di spinta verso il basso finché non si fissa in posizione, quindi inclinare l'utensile in modo che i chiodi possano fuoriuscire liberamente dal fondo del caricatore.



- ◆ Sollevare la chiusura di eliminazione degli inceppamenti (7) quindi tirare in alto per aprire lo sportello anteriore (14).
- ◆ Rimuovere il chiodo piegato usando delle pinze, se necessario..
- ◆ Se la lama dell'avvitatore è in giù, inserire un cacciavite o altra asta nel pezzo di testa e spingere la lama nuovamente in posizione.

- ◆ Chiudere lo sportello anteriore e innestare la forma del filo (13) sotto i due bracci (15) sull'interruttore di contatto. Spingere la chiusura di eliminazione degli inceppamenti (7) finché non scatta in posizione.
- ◆ Reinserire i chiodi nel caricatore (vedi Caricamento dell'utensile).
- ◆ Tirare il dispositivo di spinta (10) verso il basso finché la chiodatrice (C1) non si trova in posizione arretrata rispetto ai chiodi come indicato in figura C.
- ◆ Reinserire il battery pack.
- ◆ Disinnestare il blocco a grilletto (2), consentendo l'azionamento del grilletto.

**Avvertenza!** Se si verifica un inceppamento, l'utensile si disattiverà e sarà necessario resettarlo. Per farlo, seguire le istruzioni sull'eliminazione di un chiodo inceppato. Successivamente, rimuovere il battery pack e quindi reinserirlo. Ora l'utensile sarà operativo.

**Nota!** Se i chiodi continuano a incepparsi frequentemente nell'interruttore di contatto, far riparare l'utensile da un centro di assistenza autorizzato Stanley Fat Max.

### Funzionamento con il freddo

Durante l'utilizzo degli utensili a temperature sotto lo zero:

- ◆ Mantenere l'utensile più caldo possibile prima dell'uso.
- ◆ Azionare l'utensile 5 o 6 volte in legname di scarto prima dell'uso.

### Funzionamento con il caldo

L'utensile dovrebbe funzionare normalmente. Tuttavia, tenere l'utensile lontano dalla luce solare diretta poiché il calore eccessivo potrebbe danneggiare il paraurti e altre parti in gomma con conseguente aumento della manutenzione.

### Gancio a nastro (Fig. I-J)

**Avvertenza!** Rimuovere i chiodi dal caricatore prima di effettuare qualsiasi regolazione o riparare questo utensile. La mancata osservanza di queste istruzioni potrebbe causare gravi lesioni personali.

- ◆ Rimuovere il battery pack dallo strumento e inserire il blocco del grilletto di azionamento.
- ◆ Con un cacciavite rimuovere la vite dal foro del gancio di sospensione sulla base dell'utensile (16).
- ◆ Posizionare la linguetta anteriore del gancio di sospensione (11) nel foro sulla base dell'utensile (16) come indicato in Figura I.
- ◆ Fissare il gancio di sospensione (11) con la vite in dotazione (17) e serrare saldamente con un cacciavite come mostrato in Figura J.
- ◆ Riposizionare il battery pack.



## Parti di ricambio

**Avvertenza!** Per ridurre il rischio di lesioni personali, scollegare il battery pack dall'utensile e innestare il blocco a grilletto prima di eseguire la manutenzione o l'eliminazione di un chiodo inceppato.

L'utensile è dotato di una punta antimacchia situata sul lato del caricatore.

- ◆ Per sostituire il cuscinetto antimacchia, basta tirarlo via e rimontare quello nuovo sull'interruttore a contatto.

Utilizzare esclusivamente parti di ricambio identiche. Per un elenco delle parti o per ordinare le parti, visitare il nostro sito di servizio all'indirizzo [www.stanley.eu/3co.uk](http://www.stanley.eu/3co.uk). Si possono ordinare le parti anche presso il centro di assistenza Stanley Fat Max più vicino o Garanzia Autorizzata Stanley Fat Max.

## Ricerca guasti

Se l'elettrotensile non dovesse funzionare correttamente, seguire le istruzioni riportate di seguito.

Se non è comunque possibile risolvere il problema, rivolgersi al tecnico Stanley Fat Max di zona.

**Avvertenza!** Prima di continuare, scollegare l'apparecchio dalla presa di corrente.

Problema	Causa possibile	Soluzione possibile
L'unità non parte.	Il battery pack non è stato montato correttamente. Battery pack non caricato. Il blocco a grilletto è inserito.	Controllare il montaggio del battery pack. Controllare i requisiti di carica del battery pack. Disinserire il blocco a grilletto.
L'utensile non si aziona. (fari accesi, il motore non gira)	Il motore si ferma dopo 2 secondi.	Funzionamento normale, rilasciare il grilletto o dispositivo di scatto a contatto e premere.
L'utensile non si aziona. (I fari lampeggiano)	Batteria scarica o danneggiata.	Caricare o sostituire la batteria.
L'utensile non si aziona. (I fari lampeggiano continuamente)	Punta inceppata / utensile in stallo. Meccanismo inceppato	Rimuovere la batteria, ruotare la leva di rilascio dello stallo. Eliminare la punta inceppata e reinserire il battery pack. Consultare un centro di assistenza.
L'utensile non si aziona. (Fari accesi, motore gira, lama di guida bloccata in giù)		Consultare un centro di assistenza autorizzato.

Problema	Causa possibile	Soluzione possibile
L'utensile funziona, ma non inserisce completamente la punta.	Batteria scarica o danneggiata.	Caricare o sostituire la batteria.
	Regolazione della profondità insufficiente.	Ruotare la manopola di regolazione della profondità a un'impostazione più profonda.
	L'utensile non è saldamente a contatto del pezzo.	Leggere il manuale d'istruzioni.
	Lunghezza del materiale o della punta troppo rigorosa per un'applicazione.	Scegliere la lunghezza del materiale o della punta appropriata.

## Manutenzione

Questo apparecchio/apparecchio Stanley Fat Max con o senza filo è stato progettato per funzionare a lungo con una manutenzione minima. Per ottenere prestazioni sempre soddisfacenti occorre avere cura dell'elettrotensile e sottoporlo a pulizia periodica.

**Avvertenza!** Prima di eseguire la pulizia, spegnere l'apparecchio e scollegarlo dalla presa di corrente.

- ◆ Sporco e grasso possono essere rimossi dalle superfici esterne dell'apparecchio con un panno.

**Avvertenza!** Non utilizzare MAI solventi o sostanze chimiche aggressive per pulire le parti non metalliche dell'apparecchio. Tali prodotti chimici possono indebolire i materiali utilizzati nelle parti suddette. Usare un panno inumidito solamente con acqua e sapone delicato. Evitare la penetrazione di liquidi all'interno dell'apparecchio e non immergere mai nessuna parte dello stesso in un liquido.

**Avvertenza!** Non spruzzare o applicare MAI in qualsiasi altro modo lubrificanti o solventi all'interno dell'utensile. Questo può compromettere seriamente la vita e le prestazioni dell'utensile.

## Avvisi di assistenza

Gli interventi di assistenza per questo prodotto non possono essere gestite dall'utilizzatore. Non vi sono parti riparabili dall'utente all'interno della chiodatrice. Per evitare danni ai delicati componenti statici interni, è necessario che le eventuali riparazioni siano effettuate da un centro autorizzato.

## Protezione dell'ambiente



Raccolta differenziata. I prodotti e le batterie contrassegnati con questo simbolo devono essere smaltiti con i rifiuti domestici normali.

I prodotti e le batterie contengono materiali che possono essere recuperati o riciclati riducendo la richiesta di materie prime. Riciclare i prodotti elettrici e le batterie secondo le disposizioni locali. Ulteriori informazioni sono disponibili all'indirizzo [www.2helpU.com](http://www.2helpU.com)

## Dati tecnici

		FMC792B Tipo:2
Tensione	$V_{DC}$	18
Tipo batterie		Agli ioni di litio
Modo di azionamento		Solo
Angolo caricatore		Retto
Velocità a vuoto	giri al minuto	9100
Energia di inserimento	circa	60J
Peso (solo utensile)	kg	2,6

Punte		
Lunghezza	mm	25 - 64
Diametro del codolo	mm	1,6
Angolo		Retto

Caricabatteria		90608625
Tensione in ingresso	$V_{AC}$	230
Tensione erogata	$V_{DC}$	18
Corrente	Ah	2,0
Tempo di carica approssimativo		1 hr (2.0 Ah) 2 hr (4.0 Ah)
Peso (solo caricatore)	kg	0,45

Batteria		FMC687L	FMC688L
Tensione	$V_{AC}$	18	18
Capacità	A/h	2.0ah	4.0ah
Peso	kg	0,35	0,67
Tipo		Agli ioni di litio	Agli ioni di litio

Livello di pressione sonora misurato in base a EN 607451 - 1:
Pressione sonora ( $L_{pA}$ ) 87 dB(A), incertezza (K) 1,5 dB(A)
Potenza acustica ( $L_{WA}$ ) 92 dB(A), incertezza (K) 2,5 dB(A)

Valori totali vibrazioni (somma vettoriale triassiale) in base a EN 60745 - 2 - 16:
Chiodi graffa ( $a_{TV}$ ) 1,8 m/s <sup>2</sup> , incertezza (K) 1,8 m/s <sup>2</sup>

## Dichiarazione di conformità CE

DIRETTIVA MACCHINE



FMC792B - Chiodatrice cordless  
Stanley Fat Max dichiara che questi prodotti descritti al para-  
grafo "Dati tecnici" sono conformi a:

EN60745-1: 2009 +A11:2010,

EN 60745 - 2 -16:2010

Questi prodotti sono conformi alle Direttive 2004/108/CE (fino al 19/04/2016), 2014/30/UE (dal 20/04/2016), 2006/42/EC e 2011/65/UE.

Per ulteriori informazioni contattare Stanley Fat Max al seguente indirizzo oppure consultare l'ultima di copertina del manuale.

Il firmatario è responsabile della compilazione del documento tecnico e rende questa dichiarazione per conto di Stanley Fat Max.

R. Laverick  
Direttore tecnico  
Stanley Fat Max,  
210 Bath Road, Slough,  
Berkshire, SL1 3YD  
Regno Unito  
11/01/2016

## Garanzia

Stanley Fat Max è sicura della qualità dei propri prodotti e offre ai consumatori una garanzia di 12 mesi dalla data di acquisto. Il presente certificato di garanzia è complementare ai diritti legali e non li pregiudica in alcun modo. La garanzia è valida sui territori degli stati membri dell'Unione Europea e dell'EFTA (Associazione europea di libero scambio).

Per attivare la garanzia, il reclamo deve essere effettuato in accordo con i Termini e Condizioni Stanley Fat Max e sarà necessario presentare la prova di acquisto al venditore o all'agente di riparazione autorizzato. I Termini e condizioni della garanzia Stanley Fat Max di 1 anno e la sede dell'agente di riparazione autorizzato più vicino sono consultabili su Internet all'indirizzo [www.2helpU.com](http://www.2helpU.com), o contattando l'ufficio Stanley Fat Max di zona.

Visitare il nostro sito [www.stanley.eu/3co.uk](http://www.stanley.eu/3co.uk) per registrare il nuovo prodotto Stanley Fat Max e ricevere gli aggiornamenti sui nuovi prodotti e le offerte speciali.

## Bedoeld gebruik

Uw Stanley Fat Max FMC792B accutacker is ontworpen voor het bevestigen van nieten/spijkers. Dit apparaat is bedoeld voor professionele en private, niet-professionele gebruikers.

## Veiligheidsinstructies

### Algemene veiligheidswaarschuwingen voor elektrisch gereedschap



**Waarschuwing! Lees alle veiligheidswaarschuwingen en alle instructies.** Wanneer de volgende waarschuwingen en voorschriften niet in acht worden genomen, kan dit een elektrische schok, brand of ernstig letsel tot gevolg hebben.

**Bewaar alle waarschuwingen en instructies als referentiemateriaal.** Het hierna gebruikte begrip "elektrisch gereedschap" heeft betrekking op elektrische gereedschappen voor gebruik op de netspanning (met netsnoer) of op een accu (snoerloos).

#### 1. Veilige werkomgeving

- a. **Houd uw werkomgeving schoon en opgeruimd.** Op rommelige of donkere plekken zullen sneller ongelukken gebeuren.
- b. **Gebruik elektrisch gereedschap niet in een omgeving met explosiegevaar, zoals in de nabijheid van brandbare vloeistoffen, gasen of stof.** Elektrisch gereedschap veroorzaakt vonken die het stof of de dampen kunnen doen ontbranden.
- c. **Houd kinderen en omstanders tijdens het gebruik van elektrisch gereedschap op afstand.** Als u wordt afgeleid, kunt u de controle over het gereedschap verliezen.

#### 2. Elektrische veiligheid

- a. **De netstekker van het gereedschap moet in het stopcontact passen. Pas de stekker nooit op enige manier aan. Gebruik geen adapterstekkers in combinatie met geaard elektrisch gereedschap.** Niet-aangepaste stekkers en passende contactdozen verminderen het risico van een elektrische schok.
- b. **Vermijd aanraking van het lichaam met geaarde oppervlakken, bijvoorbeeld buizen, verwarmingen, fornuizen en koelkasten.** Er bestaat een verhoogd risico van een elektrische schok als uw lichaam contact heeft met aarde.
- c. **Stel het gereedschap niet bloot aan regen en vocht.** Als er water in een elektrisch gereedschap dringt, verhoogt dit het risico van een elektrische schok.
- d. **Behandel het snoer voorzichtig.**

**Gebruik het snoer nooit om het elektrische gereedschap te dragen of naar u toe te trekken, of de stekker uit het stopcontact te halen. Houd het snoer uit de buurt van warmte, olie, scherpe randen, of bewegende onderdelen.** Beschadigde snoeren of snoeren die in de war zijn geraakt, verhogen het risico van een elektrische schok.

- e. **Gebruik, wanneer u buitenshuis met elektrisch gereedschap werkt, alleen verlengsnoeren die zijn goedgekeurd voor gebruik buitenshuis.** Het gebruik van een verlengsnoer dat geschikt is voor buitenshuis, vermindert het risico van een elektrische schok.
- f. **Als u met elektrisch gereedschap werkt op een vochtige locatie, gebruik dan een aardlekschakelaar (RCD).** Het gebruik van een aardlekschakelaar vermindert het risico van een elektrische schok.

### 3. Persoonlijke veiligheid

- a. **Blijf alert, let goed op wat u doet en ga met verstand te werk bij het gebruik van elektrisch gereedschap. Gebruik het gereedschap niet als u vermoeid bent of onder de invloed van drugs, alcohol of medicatie bent.** Een moment van onoplettendheid tijdens het werken met elektrisch gereedschap kan leiden tot ernstig persoonlijk letsel.
- b. **Draag persoonlijke beschermende uitrusting. Draag altijd oogbescherming.** Beschermende uitrusting, zoals een stofmasker, antislip veiligheidsschoenen, een helm, of gehoorbescherming, gebruikt in de juiste omstandigheden, zal het risico op persoonlijk letsel verminderen.
- c. **Voorkom per ongeluk inschakelen. Controleer dat de schakelaar in de uit-stand staat voordat u het gereedschap aansluit op het stopcontact en/of de accu plaatst en voordat u het gereedschap optilt of gaat dragen.** Het dragen van elektrisch gereedschap met uw vinger op de schakelaar of het aanzetten van elektrisch gereedschap waarvan de schakelaar aan staat, kan leiden tot ongelukken.
- d. **Verwijder instelgereedschap of schroefsleutels voordat u het gereedschap inschakelt.** Een instelgereedschap of sleutel in een draaiend deel van het gereedschap kan tot verwondingen leiden.
- e. **Reik niet te ver. Blijf altijd stevig en in balans op de grond staan.** Dit zorgt voor betere controle over het elektrisch gereedschap in onverwachte situaties.
- f. **Draag geschikte kleding. Draag geen loszittende kleding of sieraden. Houd uw haar, kleding en handschoenen uit de buurt van bewegende onderdelen.** Loszittende kleding, sieraden of lang haar kunnen door bewegende delen worden gegrepen.

- g. **Wanneer stofafzuigings- of stofopvangvoorzieningen kunnen worden gemonteerd, dient u zich ervan te verzekeren dat deze zijn aangesloten en juist worden gebruikt.** Het gebruik van stofafzuiging kan aan stof gerelateerde gevaren verminderen.
- ### 4. Gebruik en onderhoud van elektrisch gereedschap
- a. **Overbelast het gereedschap niet. Gebruik het juiste elektrisch gereedschap voor uw toepassing.** Met het juiste elektrisch gereedschap kunt u de werkzaamheden waarvoor het gereedschap is ontworpen, beter en veiliger uitvoeren.
  - b. **Gebruik het elektrisch gereedschap niet als de schakelaar niet goed werkt.** Ieder gereedschap dat niet met de schakelaar kan worden bediend, is gevaarlijk en moet worden gerepareerd.
  - c. **Trek de stekker uit het stopcontact en/of de accu uit het elektrisch gereedschap voordat u het gereedschap instelt, toebehoren wisselt of het gereedschap opbergt.** Dergelijke preventieve veiligheidsmaatregelen verminderen het risico dat het elektrisch gereedschap per ongeluk wordt gestart.
  - d. **Bewaar elektrisch gereedschap dat niet wordt gebruikt, buiten bereik van kinderen. Laat niet personen die er niet vertrouwd mee zijn en deze aanwijzingen niet hebben gelezen met het gereedschap werken.** Elektrisch gereedschap is gevaarlijk in handen van ongetrainde gebruikers.
  - e. **Onderhoud het gereedschap zorgvuldig. Controleer of bewegende delen van het gereedschap goed functioneren en niet klemmen, en of er onderdelen zodanig zijn gebroken of beschadigd dat de werking van het gereedschap nadelig wordt beïnvloed. Laat het gereedschap voor gebruik repareren als het beschadigd is.** Veel ongelukken worden veroorzaakt door slecht onderhouden elektrisch gereedschap.
  - f. **Houd zaag- en snijgereedschap scherp en schoon.** Goed onderhouden snijgereedschappen met scherpe snijvlakken lopen minder snel vast en zijn gemakkelijker onder controle te houden.
  - g. **Gebruik elektrisch gereedschap, toebehoren, zaagjes en boortjes, enz., volgens deze aanwijzingen. Let daarbij op de arbeidsomstandigheden en de uit te voeren werkzaamheden.** Gebruik van het elektrisch gereedschap voor werkzaamheden die anders zijn dan bedoeld, kan leiden tot een gevaarlijke situatie.
- ### 5. Gebruik en onderhoud van accugereedschap
- a. **Laad accu's alleen op met de door de fabrikant aanbevolen lader.** Een lader die geschikt is voor het ene type accu, kan een risico van brand doen ontstaan bij gebruik met een andere accu.

- b. **Gebruik elektrisch gereedschap alleen in combinatie met specifiek vermelde accu's.** Het gebruik van andere accu's kan gevaar voor letsel en brand opleveren.
- c. **Houd de accu, wanneer u deze niet gebruikt, weg bij andere metalen objecten zoals paperclips, munten, sleutels, spijkers, schroeven of andere kleine metalen voorwerpen die een verbinding tot stand kunnen brengen tussen de ene pool en de andere.** Als kortsluiting tussen de polen van de accu wordt gemaakt, kan dit tot brandwonden of brand leiden.
- d. **Wanneer de accu slecht wordt behandeld, kan er vloeistof uit de accu spuiten, vermijd contact met deze vloeistof. Als er per ongeluk contact ontstaat, roep dan met water. Als de vloeistof in de ogen komt, spoel dan tevens medische hulp in.** Vloeistof die uit de accu komt, kan irritatie en brandwonden veroorzaken.

## 6. Service

- a. **Laat het gereedschap alleen repareren door gekwalificeerd en vakkundig personeel en alleen met originele reserveonderdelen.** Dit zorgt ervoor dat de veiligheid van het gereedschap gewaarborgd blijft.

## Aanvullende veiligheids waarschuwingen voor elektrisch gereedschap

- ◆ **Gebruik de extra handgrepen die bij het gereedschap worden geleverd. Verlies van controle kan leiden tot persoonlijk letsel.**
- ◆ **Houd het elektrisch gereedschap vast aan de geïsoleerde handgrepen wanneer u werkzaamheden uitvoert waarbij het gereedschap in aanraking kan komen met verborgen bedrading.** Accessoires van gereedschap die in contact komen met bedrading waar spanning op staat, kunnen metalen onderdelen van het gereedschap onder stroom zetten en de gebruiker een elektrische schok geven.
- ◆ **Houd het gereedschap vast aan de geïsoleerde handgrepen wanneer u werkzaamheden uitvoert waarbij het bevestigingsmateriaal in aanraking kan komen met verborgen bedrading.** Bevestigingsmateriaal dat in contact komt met bedrading die onder stroom staat, kan metalen onderdelen van het gereedschap onder stroom zetten en de gebruiker een elektrische schok geven.
- ◆ **Zet het werkstuk met klemmen of op een andere praktische manier vast en ondersteun het werkstuk op een stabiele ondergrond.** Wanneer u het werkstuk vasthoudt met de hand of het tegen uw lichaam gedrukt houdt, is het instabiel en kunt u de controle verliezen.
- ◆ Controleer waar zich bedrading en leidingen bevinden voordat u in muren, vloeren of plafonds boort.
- ◆ Raak de punt van een boor niet meteen na het boren aan. Deze punt kan heet zijn.

- ◆ Het bedoeld gebruik wordt beschreven in deze instructiehandleiding. Het gebruik van andere accessoires of hulpstukken, of de uitvoering van andere handelingen met dit gereedschap dan die in deze gebruikershandleiding worden aanbevolen, kan tot persoonlijk letsel en/of schade aan eigendom leiden.

## Veiligheid van anderen

- ◆ Laat nooit kinderen, personen met verminderde fysieke, zintuiglijke of mentale vermogens of met een gebrek aan ervaring en kennis of mensen die niet bekend zijn met deze instructies, de machine gebruiken.
- ◆ plaatselijke voorschriften kunnen eisen aan de leeftijd van de gebruiker stellen.
- ◆ Gebruik de machine nooit terwijl er mensen, met name kinderen, of huisdieren zich dicht bij u bevinden.

## Aanvullende veiligheidsinstructies voor accutackers

- ◆ Draag altijd een veiligheidsbril.
- ◆ Draag altijd gehoorbescherming.
- ◆ Gebruik alleen bevestigingsmiddelen van het type dat is beschreven in de handleiding.
- ◆ Gebruik geen statief om het gereedschap aan een steun te bevestigen.
- ◆ Nooit onderdelen van de accutacker demonteren of blokkeren, zoals bijvoorbeeld de contactschakelaar.
- ◆ Controleer voor elk gebruik dat de vergrendeling en de trekker juist functioneren en dat alles goed vastzit.
- ◆ Gebruik het gereedschap niet als hamer.
- ◆ Gebruik het gereedschap niet op een ladder.
- ◆ Richt nooit een werkende accutacker op uzelf of iemand anders.
- ◆ Houd het gereedschap tijdens gebruik altijd zo vast dat er op geen enkele wijze letsel aan uw hoofd of lichaam kan ontstaan als het apparaat terugslaat door een stroomstoring of harde stukken in het werkstuk.
- ◆ Gebruik de accutacker nooit in een hol werkoppervlak.
- ◆ Draag het gereedschap altijd aan de handgreep in het werkgebied, en nooit met de trekker ingeschakeld.
- ◆ Houd rekening met de omstandigheden in het werkgebied, bevestigingsmiddelen kunnen door dunne materialen schieten of van hoeken en randen afketsen en daardoor mensen in gevaar brengen.
- ◆ Bevestig geen bevestigingsmiddelen in de buurt van de randen van het werkstuk.
- ◆ Schiet geen bevestigingsmiddelen bovenop andere bevestigingsmiddelen.
- ◆ Ga er altijd vanuit dat het gereedschap bevestigingsmiddelen bevat.

Onzorgvuldig gebruik van de accutacker kan ertoe leiden dat er onverwacht bevestigingsmiddelen worden afgeschoten waardoor persoonlijk letsel kan ontstaan.

- ◆ Richt het gereedschap niet op uzelf of op iemand in de buurt. Wanneer de trekker onverwacht wordt overgehaald, zullen bevestigingsmiddelen worden afgevuurd wat persoonlijk letsel tot gevolg kan hebben.
- ◆ Zet het gereedschap niet aan voordat u het stevig tegen het werkstuk hebt geplaatst. Als het gereedschap geen contact maakt, kan het bevestigingsmiddel wegschieten.
- ◆ Koppel het gereedschap los van de stroombron als er bevestigingsmiddelen zijn vastgelopen in het gereedschap. Wanneer u bevestigingsmiddelen die vastzitten, losmaakt, kan de tacker onbedoeld in werking treden als de accu nog in het gereedschap zit.
- ◆ Gebruik dit gereedschap niet voor het bevestigen van elektriciteitskabels. Het gereedschap is niet ontworpen voor installatie van elektriciteitskabel en kan de isolatie van de elektriciteitskabels beschadigen wat elektrische schokken of brand tot gevolg kan hebben.

### Overige risico's

Er kunnen zich nog meer risico's voordoen bij het gebruik van deze machine, die mogelijk niet in de bijgesloten veiligheids-waarschuwingen worden beschreven.

Deze risico's kunnen zich voordoen door onoordeelkundig gebruik, langdurig gebruik, enz.

Zelfs wanneer de veiligheidsvoorschriften in acht worden genomen en de veiligheidshulpmiddelen worden gebruikt, kunnen bepaalde risico's niet worden uitgesloten. Dit zijn onder meer:

- ◆ Verwondingen die worden veroorzaakt door aanraking van draaiende/bewegende onderdelen.
- ◆ Verwondingen die worden veroorzaakt bij het vervangen van onderdelen, zaagbladen of accessoires.
- ◆ Verwondingen die worden veroorzaakt door langdurig gebruik van gereedschap. Wanneer u langere periodes met het gereedschap werkt, kunt u het beste regelmatig een pauze nemen.
- ◆ Gehoorbeschadiging.
- ◆ Gezondheidsrisico's door het inademen van stof dat vrijkomt bij gebruik van uw gereedschap (bijv.: het werken met hout, vooral eiken, beuken en MDF.)

### Trilling

De aangegeven waarden voor trillingsemmissie in de technische gegevens en de conformiteitsverklaring, zijn gemeten conform een standaardtestmethode die door EN50636 wordt verstrekt. Hiermee kan het ene gereedschap met het andere worden vergeleken. De aangegeven waarde voor trillingsemmissie kan ook worden gebruikt bij een voorlopige bepaling van blootstelling.

Waarschuwing! De waarde voor trillingsemmissie tijdens het werkelijke gebruik van het gereedschap kan verschillen van de aangegeven waarde afhankelijk van de manieren waarop het gereedschap wordt gebruikt. Het trillingsniveau kan hoger worden dan het aangegeven niveau.

Wanneer de blootstelling aan trillingen wordt vastgesteld ten einde veiligheidsmaatregelen te bepalen die worden vereist door 2002/44/EG ter bescherming van personen die tijdens hun werk regelmatig elektrische gereedschap gebruiken, moet bij een schatting van de blootstelling aan trillingen rekening worden gehouden met de werkelijke omstandigheden van het gebruik en de manier waarop het gereedschap wordt gebruikt. Daarbij moet ook rekening worden gehouden met alle stappen in de gebruikscyclus, zoals het moment waarop het gereedschap wordt uitgeschakeld en wanneer het gereedschap stationair loopt alsook de aanlooptijd.

### Etiketten op het gereedschap

Behalve van de datumcode is het gereedschap voorzien van de volgende symbolen:



**Waarschuwing!** Gebruiker, beperk het risico van letsel, lees de instructiehandleiding.



**Waarschuwing!** Gebruiker, beperk het risico van letsel, draag bescherming voor uw oren en ogen.



Houd handen en andere lichaamsdelen weg uit de onmiddellijke nabijheid van het werk.

### Aanvullende veiligheidsinstructies voor accu's en laders

#### Accu's

- ◆ Probeer nooit om welke reden dan ook de accu open te maken.
- ◆ Stel de accu niet bloot aan water.
- ◆ Bewaar de accu niet op locaties waar de temperatuur kan stijgen tot boven 40 °C.
- ◆ Laad de accu alleen op bij een omgevingstemperatuur tussen 10 °C en 40 °C.
- ◆ Volg, wanneer u accu's wegdoet, de instructies in het gedeelte "Het milieu beschermen".
- ◆ Beschadig of vervorm de accubehuizing niet, prik er geen gaten in en stoot er niet tegenaan, omdat hierdoor een risico van letsel en brand kan ontstaan.
- ◆ Laad beschadigde accu's niet op.
- ◆ Onder extreme omstandigheden kunnen accu's lekken. Veeg, wanneer de accu nat of vochtig is, de vloeistof voorzichtig af met een doek. Vermijd huidcontact.

- ◆ Volg onderstaande instructies wanneer de vloeistof in contact komt met uw huid of ogen.

**Waarschuwing!** De accuvloeistof kan lichamelijk letsel of materiële schade veroorzaken. Bij huidcontact moet u de vloeistof direct afspoelen met water. Raadpleeg uw huisarts als er rode vlekken ontstaan of bij een pijnlijke of geïrriteerde huid. Bij oogcontact moet u de vloeistof direct uitspoelen met water en uw huisarts raadplegen.



Probeer nooit beschadigde accu's op te laden

### Laders

- ◆ Gebruik uw Stanley Fat Max lader alleen om de accu op te laden die bij het gereedschap is meegeleverd. Andere accu's kunnen openbarsten, met letsel en materiële schade tot gevolg.
- ◆ Probeer nooit niet-oplaadbare accu's op te laden.
- ◆ Laat defecte snoeren direct vervangen.
- ◆ Stel de lader niet bloot aan water.
- ◆ Maak de lader niet open.
- ◆ Steek geen voorwerpen in de lader.

### Symbolen op de lader



De lader is uitsluitend bestemd voor gebruik binnenshuis.



Lees de instructiehandleiding voordat u de lader in gebruik neemt.

### Elektrische veiligheid



De adapter is dubbel geïsoleerd, zodat een aardaansluiting niet nodig is. Controleer altijd dat de netspanning overeenkomt met de waarde op het typeplaatje. Probeer de adaptereenheid nooit te vervangen door een normale netstekker.

### Onderdelen

Deze machine heeft enkele van de volgende functies of allemaal.

1. Aan/uit-schakelaar
2. Aan/uit-schakelaar vergrendeling
3. Afstelwiel voor de diepte
4. Diepteafstelling indicator
5. Werkklampjes/accuspanning laag/vastlopen indicator
6. Vrijgaveknop bij vastlopen
7. Grendel vastlopen verhelpen
8. Contactmechanisme
9. Magazijn
10. Grendel aanduwmechanisme
11. Riemhaak
12. Grendel aanduwmechanisme vrijgaveknop

### Gebruik van het apparaat

#### De accu opladen

De accu moet vóór het eerste gebruik worden opgeladen, en ook zodra de accu niet meer voldoende vermogen levert voor taken die eerst gemakkelijk konden worden uitgevoerd.

Tijdens het opladen kan de accu warm worden.

Dit is normaal en duidt niet op een probleem.

**Waarschuwing!** Laad de accu niet op bij een omgevingstemperatuur van lager dan 10 °C of hoger dan 40 °C. De aanbevolen laadtemperatuur ligt op ongev. 24 °C.

**Opmerking:** De lader functioneert niet als de temperatuur van de accu lager is dan ongeveer 10° C of hoger dan 40° C.

Laat de accu in dat geval in de lader zitten. De lader wordt automatisch ingeschakeld wanneer de accu de juiste temperatuur heeft.

- ◆ Steek de lader in een geschikt stopcontact voordat u de accu plaatst.
- ◆ Plaats de accu in de lader.



Het groene oplaadlampje gaat knipperen ten teken dat de accu wordt opgeladen.



Wanneer de accu geheel is opgeladen, blijft het groene lampje ononderbroken branden. De accu is nu volledig opgeladen en kan worden gebruikt of in de acculader blijven zitten.

**Waarschuwing!** Laad accu's die leeg zijn zo spoedig mogelijk na gebruik op, omdat anders de levensduur van de accu mogelijk ernstig wordt bekoort.

#### Diagnose van de accu door de lader

Deze lader is zo ontworpen dat bepaalde problemen die zich kunnen voordoen met accu's of met de stroomvoorziening, kunnen worden gedetecteerd. Problemen worden aangeduid door middel van een LED die in verschillende patronen knippert.

#### Slechte accu



De lader kan vaststellen dat een accu zwak is of beschadigd. De rode LED knippert in een patroon dat op het label wordt aangeduid. Ziet u het lampje in dit patroon van een slechte accu knipperen, ga dan niet door met het opladen van de accu. Breng de accu terug naar het service Centrum of naar een inzamellocatie waar de accu kan worden gerecycled.

### Hot/Cold Pack Delay (Vertraging Hete/Koude Accu)



Wanneer de lader waarneemt dat een accu veel te warm of veel te koud is, wordt onmiddellijk een Hot/Cold Delay gestart en wordt het laden uitgesteld tot de accu een normale temperatuur heeft bereikt. Zodra dit het geval is, schakelt de lader automatisch over op de stand Pack Charging. Deze functie waarborgt een maximale levensduur van de accu. De rode LED knippert in het patroon dat wordt aangeduid op het label wanneer een Hot/Cold Pack Delay wordt gedetecteerd.

### De accu in de lader laten zitten

U kunt de accu voor onbeperkte tijd in de lader laten zitten terwijl het oplaadlampje brandt. De lader zorgt ervoor dat de accu altijd volledig opgeladen is.

### Belangrijke opmerkingen over opladen

- ◆ De langste levensduur en de beste prestaties kunnen worden behaald als de accu wordt opgeladen bij een temperatuur tussen 18°- 24°C. Laad de accu NOOIT op in een luchttemperatuur lager dan +4,5°C, of boven +40,5°C. Dit is erg belangrijk en voorkomt ernstige schade aan de accu.
- ◆ De lader en de accu kunnen tijdens het opladen warm aanvoelen. Dit is normaal en wijst niet op een probleem. Plaats de accu en de lader na gebruik niet in een warme omgeving, zoals een metalen schuur of een niet-geïsoleerde aanhangwagen, laat ze op een koele plaats afkoelen.
- ◆ Als de accu niet goed oplaadt:
  - ◆ Controleer dat er spanning op het stopcontact staat door een lamp of een ander apparaat aan te sluiten.
  - ◆ Controleer of het stopcontact misschien wordt onderbroken door een schakelaar, die het licht uitschakelt en het stopcontact stroomloos maakt.
  - ◆ Verplaats de lader en de accu naar een ruimte waar de luchttemperatuur tussen 18° en 24 °C ligt.
  - ◆ Houd het probleem met het laden aan, breng dan het apparaat, de accu en de lader naar het servicecentrum bij u in de buurt.
- ◆ De accu moet opnieuw worden opgeladen wanneer deze niet voldoende vermogen levert voor werkzaamheden die eerder zonder veel moeite werden gedaan.

WERK NIET LANGER MET HET GEREEDSCHAP in deze toestand. Volg de procedure voor het laden. U kunt ook een gedeeltelijk lege accu opladen, wanneer u dat maar wilt, zonder dat dat negatieve gevolgen heeft voor de accu.

- ◆ Bepaalde materialen die geleidend zijn, zoals, maar niet uitsluitend, staalwol, aluminiumfolie of een opeenhoping van metaalachtige deeltjes, kunnen beter bij de holtes van de lader worden weggehouden. Trek altijd de stekker uit het stopcontact wanneer er geen accu in de lader zit. Trek de stekker van de lader uit het stopcontact voordat u de lader gaat reinigen.
- ◆ Laat de lader niet bevriezen en dompel de lader niet onder in water of een andere vloeistof.

Waarschuwing! Gevaar voor elektrische schok. Laat geen vloeistof in de lader dringen. Probeer nooit om welke reden dan ook de accu te openen.

Als de kunststof behuizing van de accu breekt of scheurt, breng de accu dan naar een servicecentrum waar deze kan worden gerecycled.

### De accu in het apparaat plaatsen en eruitnemen

Waarschuwing! Controleer dat de vergrendelingsknop niet is ingeschakeld om inschakelen te voorkomen voordat u de accu uitneemt of plaatst.

### De accu plaatsen

Steek de accu (A1) in het apparaat en duw tot u een klik hoort (Afbeelding A). Controleer dat de accu geheel op zijn plaats zit en goed is vergrendeld.

### De accu uitnemen

Druk op de accuvrijgaveknop (B1) zoals wordt getoond in Afbeelding B, en trek de accu uit het apparaat.

### Bediening

Waarschuwing! Lees het hoofdstuk Accutacker Veiligheids-waarschuwingen aan het begin van deze handleiding. Draag altijd een veiligheidsbril en gehoorbescherming als u dit gereedschap gebruikt.

Richt de accutacker nooit op uzelf en andere personen. Voor een veilige bediening moet u voor ieder gebruik van de accutacker de volgende procedures en controles uitvoeren.

Waarschuwing! Om het risico op persoonlijk letsel te verminderen, moet u de accu uit het gereedschap verwijderen en de vergrendeling inschakelen voordat u onderhoud uitvoert, vastgelopen nagels verwijderd, het werkgebied verlaat, het gereedschap naar een andere plek verplaatst of het gereedschap aan iemand anders geeft.

Waarschuwing! Houd uw vingers UIT DE BUURT van de trekker als u geen bevestigingsmiddelen afvuurt om incidenteel afvuren te voorkomen. Draag het gereedschap nooit met een vinger op de aan/uit-schakelaar.



- ◆ Draag altijd geschikte oog-, gehoor- en ademhalingsbescherming.
- ◆ Haal de accu uit het gereedschap en schakel de veiligheidsvergrendeling van de trekker in.
- ◆ Vergrendel het aanduwmechanisme in de achterste stand en verwijder alle nagelstrips uit het magazijn.
- ◆ Controleer dat de contactschakelaar en het aanduwmechanisme soepel werken. Gebruik het gereedschap nooit als een onderdeel niet juist werkt.
- ◆ Gebruik nooit gereedschap met beschadigde onderdelen.

## De accutacker bedienen

Waarschuwing! De contactschakelaar moet worden ingedrukt en de trekker moet volledig worden ingedrukt bij elke nagel, daarna moeten zowel de trekker als de contactschakelaar worden losgelaten.

Waarschuwing! De accu moet altijd worden verwijderd en de veiligheidsvergrendeling moet worden ingeschakeld als u aanpassingen maakt of als het gereedschap niet wordt gebruikt.

- ◆ Druk de contactschakelaar volledig tegen het werkoppervlak.
- ◆ Druk de trekker volledig in en de motor start. (de nagel schiet in het werkoppervlak).
- ◆ Laat de trekker los.
- ◆ Verwijder de contactschakelaar van het werkoppervlak.
- ◆ Herhaal de 4 bovenstaande stappen voor de volgende toepassing

## Het gereedschap gereedmaken

Waarschuwing! Breng NOOIT op welke manier dan ook olie, smeermiddelen of reinigingsmiddelen in het gereedschap aan. Dit kan een zeer nadelige invloed hebben op de levensduur en de prestaties van het gereedschap.

Waarschuwing! De accu moet altijd worden verwijderd en de veiligheidsvergrendeling moet worden ingeschakeld als u aanpassingen maakt of als het gereedschap niet wordt gebruikt.

- ◆ Lees het hoofdstuk Veiligheidsinstructies in deze handleiding.
- ◆ Draag oog- en gehoorbescherming.
- ◆ Verwijder de accu uit het gereedschap en laad deze volledig op.
- ◆ Zorg ervoor dat er geen bevestigingsmiddelen in het magazijn zitten.
- ◆ Controleer dat de contactschakelaar en het aanduwmechanisme soepel werken. Gebruik het gereedschap nooit als een onderdeel niet juist werkt.
- ◆ Richt de accutacker nooit op uzelf en andere personen.
- ◆ Plaats een volledig opgeladen accu in het gereedschap.

## Het gereedschap laden

Waarschuwing! Richt de accutacker nooit op uzelf en andere personen. Persoonlijk letsel zou het gevolg kunnen zijn.

Waarschuwing! Laad nooit bevestigingsmiddelen als de contactschakelaar of de trekker is ingeschakeld.

Waarschuwing! Verwijder altijd de accu als u bevestigingsmiddelen laad of verwijderd.

Waarschuwing! De accu moet altijd worden verwijderd en de veiligheidsvergrendeling moet worden ingeschakeld als u aanpassingen maakt of als het gereedschap niet wordt gebruikt.

Waarschuwing! Houd uw vingers uit de buurt van het aanduwmechanisme om letsel te voorkomen.

- ◆ Plaats bevestigingsmiddelen in de onderkant van het magazijn (9).
- ◆ Trek het aanduwmechanisme (10) naar beneden totdat de geleider (C1) achter de nagels valt zoals afgebeeld in afbeelding C.
- ◆ Laat het aanduwmechanisme los (10).

## Het gereedschap ontladen

Waarschuwing! De accu moet altijd worden verwijderd en de veiligheidsvergrendeling moet worden ingeschakeld als u aanpassingen maakt of als het gereedschap niet wordt gebruikt.

- ◆ Druk op de grendel aanduwmechanisme vrijgaveknop (12).
- ◆ Schuif de nagels handmatig naar de onderkant van het magazijn (9).
- ◆ Open de grendel vastlopen verhelpen (7) op het neusstuk om te kijken of er nog nagels inzitten.

## Diepteafstelling (Afb. D, E)

De diepte die het bevestigingsmateriaal in het werkstuk wordt geschoten kan worden afgesteld met de diepteafstelling (3) aan de zijkant van het gereedschap.

Waarschuwing! Om het risico op ernstig letsel door incidenteel afvuren tijdens het afstellen van de diepte te voorkomen, moet u altijd:

- ◆ De accu verwijderen.
- ◆ De veiligheidsvergrendeling activeren.
- ◆ Contact met de trekker tijdens het afstellen vermijden.

De diepteafstelling is voorzien van een schuivende schaal (4). De linkerkant geeft de diepste instelling aan en de rechterkant geeft de ondiepste instelling aan.

- ◆ Om de nagel dieper te schieten, moet u de diepteafstelling (3) naar beneden draaien. Hierdoor schuift de diepteafstelling indicator (4) naar de linkerkant van de schaal.
- ◆ Om de nagel minder diep te schieten, moet u de diepteafstelling (3) naar boven draaien. Hierdoor schuift de diepteafstelling indicator (4) naar de rechterkant van de schaal.

## Werklampjes (Afb. F)

Er bevinden zich werklampjes (5) aan beide zijden van de accutacker.

De werklampjes gaan aan zodra de contactschakelaar wordt ingedrukt.

Opmerking: Deze werklampjes zijn bedoeld voor het verlichten van het werkkoppervlak in de onmiddellijke nabijheid en het is niet de bedoeling dat u het licht gebruikt als zaklantaarn.



### Accuspanning laag indicator:

De werklampjes knipperen en gaan daarna helemaal uit om een lage accuspanning aan te geven.



### Vastgelopen nagel indicator:

De werklampjes knipperen doorlopend als een nagel vastloopt in het neusstuk (zie Een vastgelopen nagel verwijderen).

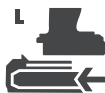
### Vrijgave bij vastlopen (Afb. G)

Waarschuwing! Als het apparaat vastloopt schakelt het apparaat zichzelf uit en moet u het resetten. Om dit te doen volgt u de instructies voor het verwijderen van een vastgelopen nagel. Verwijder hierna de accu en plaats deze daarna weer terug. Het gereedschap is nu weer klaar voor gebruik. Als de accutacker wordt gebruikt voor een zware toepassing waarbij alle in de motor beschikbare energie wordt gebruikt voor het inslaan van bevestigingsmiddelen, kan het gereedschap vastlopen. Het aandrijfblad heeft niet de gehele aandrieffcyclus voltooid en de vastloopindicator knippert. Draai vrijgaveknop (6) op het gereedschap en

het mechanisme komt vrij, zoals afgebeeld in Afbeelding G.

NB! Het gereedschap zal zichzelf uitschakelen en het kan pas worden gereset als de accu is uitgenomen en weer is ingezet.

Als de unit blijft vastlopen, kijk dan naar het materiaal en de lengte van de nieten/spijkers zodat u er zeker van kunt zijn dat deze niet te licht zijn voor de toepassing. Als het aandrijfblad niet automatisch terugkeert naar de startpositie na het draaien van de vrijgaveknop, ga dan verder met "Een vastgelopen nagel verwijderen".



### Een vastgelopen nagel verwijderen (Afb. H)

Waarschuwing! Om het risico op persoonlijk letsel te verminderen, moet u de accu verwijderen en de vergrendeling inschakelen voordat u onderhoud uitvoert of een vastgelopen nagel verwijdert.

Als een nagel vastloopt in het neusstuk, richt de accutacker dan weg van uzelf en volg deze instructies om de nagel te verwijderen:

- ◆ Haal de accu uit het gereedschap en schakel de veiligheidsvergrendeling van de trekker in.



- ◆ Draai de vrijgaveknop bij vastlopen (6) op de accutacker om het aandrijfblad te ontgrendelen en verwijder de vastgelopen nagel. Als het apparaat nog steeds vastzit, volg dan de 9 onderstaande stappen:

- ◆ Trek het aanduwmechanisme naar beneden tot het vergrendeld, kantel de accutacker nu voorover zodat de nagels vanzelf uit de onderkant van het magazijn schuiven.



- ◆ Til de vastlopen verhelpen grendel (7) op om de voorkant te openen (14).
- ◆ Verwijder het vastgelopen bevestigingsmiddel, zo nodig met een tang.
- ◆ Als het aandrijfblad naar beneden staat, steekt u een schroevendraaier of ander lang voorwerp in het neusstuk en duwt u het aandrijfblad terug in positie.
- ◆ Sluit de voorkant en bevestig de draad (13) onder de twee armen (15) op de contactschakelaar. Duw de vastlopen verhelpen grendel (7) naar beneden tot deze vergrendeld.
- ◆ Plaats de nagels terug in het magazijn (zie Het gereedschap laden).
- ◆ Trek het aanduwmechanisme (10) naar beneden tot de geleider (C1) achter de nagels valt zoals afgebeeld in Afbeelding C.
- ◆ Plaats de accu terug.
- ◆ Deactiveer de veiligheidsvergrendeling (2), zodat de trekker weer kan worden geactiveerd.

Waarschuwing! Als een nagel vastloopt schakelt het apparaat zichzelf uit en moet u het resetten. Om dit te doen volgt u de instructies voor het verwijderen van een vastgelopen nagel.

Verwijder hierna de accu en plaats deze daarna weer terug. Het gereedschap is nu weer klaar voor gebruik.

NB! Als de nagels regelmatig vastlopen in de contactschakelaar, laat het gereedschap dan nakijken door een erkend Stanley Fat Max servicecentrum.

### Gebruik in koud weer

Als u het gereedschap gebruikt in vrieskou:

- ◆ Houd de accutacker voor gebruik zo warm mogelijk.

- ◆ Gebruik de accutacker 5 of 6 keer in afvalhout voordat u het gebruikt.

## Gebruik in warm weer

De accutacker kan normaal worden gebruikt. Houd de accutacker wel zoveel mogelijk uit direct zonlicht, omdat overmatige hitte de bumpers en andere rubberen onderdelen kan beschadigen waardoor er meer onderhoud nodig is.

## Riemhaak (Afb. I-J)

Waarschuwing! Verwijder de nagels uit het magazijn voordat u aanpassingen maakt of onderhoud uitvoert. Als u dat niet doet, kan dat tot ernstig letsel leiden.

- ◆ Haal de accu uit het gereedschap en schakel de veiligheidsvergrendeling van de trekker in.
- ◆ Gebruik een schroevendraaier om de schroef van de ophanghaak te verwijderen aan de onderkant van de accutacker (16).
- ◆ Plaats de ophanghaak (11) in het gat aan de onderkant van de accutacker (16) zoals afgebeeld in Afbeelding I.
- ◆ Bevestig de ophanghaak (11) met de meegeleverde schroef (17) en draai deze goed vast met een schroevendraaier, zoals afgebeeld in Afbeelding J.
- ◆ Plaats de accu terug.

## Reserveonderdelen

Waarschuwing! Om het risico op persoonlijk letsel te verminderen, moet u de accu verwijderen en de vergrendeling inschakelen voordat u onderhoud uitvoert of een vastgelopen nagel verwijderd.

De accutacker wordt geleverd met een reserve punt, deze bevindt zich in de zijkant van het magazijn.

- ◆ Om de punt te vervangen trekt u simpelweg de oude punt van de contactschakelaar en plaatst u de nieuwe punt op de contactschakelaar.

Gebruik alleen originele reserveonderdelen. Voor een lijst met reserveonderdelen of om onderdelen te bestellen kunt u onze website bezoeken op [www.stanley.eu/3co.uk](http://www.stanley.eu/3co.uk). U kunt ook onderdelen bestellen bij uw dichtstbijzijnde Stanley Fat Max Servicecentrum of via de Stanley Fat Max erkende garantie.

## Problemen oplossen

Ga als volgt te werk als de machine niet goed lijkt te functioneren.

Neem contact op met de dichtstbijzijnde Stanley Fat Max-servicevertegenwoordiger als u het probleem niet kunt verhelpen.

**Waarschuwing!** Haal de stekker van het apparaat uit het stopcontact voordat u doorgaat.

Probleem	Mogelijke oorzaak	Mogelijke oplossing
Toestel start niet.	De accu is niet juist geïnstalleerd.	Controleer de manier waarop de accu is geïnstalleerd.
	De accu is niet opgeladen.	Controleer de laadvereisten voor de accu.
	De veiligheidsvergrendeling is geactiveerd.	Schakel de veiligheidsvergrendeling uit.
De accutacker start niet. (Werkklampjes aan, motor start niet)	Motor komt tot stilstand na 2 seconden.	Normale werking; laat de trekker of contactschakelaar los en druk deze opnieuw in.
De accutacker start niet. (Werkklampjes knippen)	Lage accuspanning of beschadigde accu.	Accu opladen of vervangen.
De accutacker start niet. (Werkklampjes knippen doorlopend)	Vastgelopen nagel / apparaat vastgelopen.	Verwijder de accu, draai aan de vrijgaveknop. Verwijder de vastgelopen nagel en plaats de accu terug.
	Vastgelopen mechanisme	Raadpleeg een erkend servicecentrum.
De accutacker start niet. (Werkklampjes aan, motor draait, aandrijfband zit vast)		Raadpleeg een erkend servicecentrum.
De accutacker werkt maar schiet de nagel niet volledig vast.	Lage accuspanning of beschadigde accu.	Accu opladen of vervangen.
	Diepteafstelling te ondiep ingesteld.	Draai de diepteafstelling naar een diepere instelling.
	Gereedschap wordt niet stevig tegen het werkstuk gezet.	Lees de instructiehandleiding.
	Materiaal te hard of nagellengte te groot.	Kies het geschikte materiaal en lengte van de nagel.

## Onderhoud

Uw Stanley Fat Max-gereedschap/-apparaat (met netsnoer/snoerloos) is ontworpen om gedurende langere tijd te functioneren met een minimum aan onderhoud.

U kunt het gereedschap naar volle tevredenheid blijven gebruiken als u voor correct onderhoud zorgt en het regelmatig schoonmaakt.

**Waarschuwing!** Schakel het apparaat uit en neem de stekker uit het stopcontact voordat u reinigingswerkzaamheden uitvoert.

- ◆ Vuil en vet kunnen met een doek van de buitenkant van het apparaat worden verwijderd.

**Waarschuwing!** Gebruik NOOIT oplosmiddelen of andere agressieve chemicaliën voor het reinigen van niet-metalen onderdelen van het apparaat. Deze chemicaliën kunnen de materialen die in deze onderdelen worden gebruikt, week maken. Gebruik een doek die uitsluitend met water en milde zeep is bevochtigd.

Laat nooit vloeistof in het gereedschap dringen en dompel de onderdelen van het gereedschap nooit onder in vloeistof.

**Waarschuwing!** Breng NOOIT op welke manier dan ook smeermiddelen of reinigingsmiddelen in het gereedschap aan. Dit kan een zeer nadelige invloed hebben op de levensduur en de prestaties van het gereedschap.

**Opmerkingen over onderhoud**

De gebruiker kan geen onderhoud aan dit product uitvoeren. Er zitten geen onderdelen in de accutacker waaraan de gebruiker onderhoud kan verrichten. Het apparaat moet bij een erkend servicecentrum worden gerepareerd om beschadiging van interne onderdelen die gevoelig zijn voor statische elektriciteit, te voorkomen.

**Het milieu beschermen**



Gescheiden afvalinzameling. Producten en accu's waarop dit symbool is aangebracht, mogen niet bij het normale huishoudafval worden weggegooid.

Producten en accu's bevatten materialen die kunnen worden teruggewonnen of gerecycled en dat doet de vraag naar grondstoffen. Recycle elektrische producten en accu's volgens de ter plaatse geldende bepalingen. Nadere informatie is beschikbaar op [www.2helpU.com](http://www.2helpU.com)

**Technische gegevens**

		FMC792B Type:2
Spanning	V <sub>DC</sub>	18
Accutype		Li-Ion
Werkingsstand		Sequentieel
Magazijnhoek		Recht
Snelheid onbelast	tpm	9100
Slagkracht	ongeveer	60J
Gewicht (alleen apparaat)	kg	2.6

Bevestigingsmiddelen		
Lengte	mm	25 - 64
Schacht diameter	mm	1.6
Hoek		Recht

Lader		90608625
Ingangsspanning	V <sub>AC</sub>	230

Lader		90608625
Uitgangsspanning	V <sub>DC</sub>	18
Laadstroom	Ah	2.0
Oplaadtijd ongeveer		1 uur (2,0 Ah) 2 uur (4,0 Ah)
Gewicht (alleen oplader)	kg	0.45

Accu		FMC687L	FMC688L
Spanning	V <sub>AC</sub>	18	18
Capaciteit	Ah	2.0ah	4.0ah
Gewicht	kg	0.35	0.67
Type		Li-Ion	Li-Ion

Geluidsrukniveau volgens NEN-EN-IEC 60745 - 1:	
Geluidsdruk (L <sub>PA</sub> )	87 dB(A), meetonzekerheid (K) 1,5 dB(A)
Geluidsvermogen (L <sub>WA</sub> )	92 dB(A), onzekerheid (K) 2,5 dB(A)
Totale trillingswaarden (som triaxvector) volgens NEN-EN-IEC 60745 - 2 - 16:	
Nieten (a <sub>h</sub> )	<1,8 m/s <sup>2</sup> , onzekerheid (K) 1,8 m/s <sup>2</sup>

**EG conformiteitsverklaring**

RICHTLIJN VOOR MACHINES



FMC792B - Accutacker

Stanley Fat Max verklaart dat deze producten, die worden beschreven onder "Technische gegevens", voldoen aan:

NEN-EN-IEC 60745-1: 2009 +A11:2010,

NEN-EN-IEC 60745 - 2 -16:2010

Deze producten voldoen tevens aan richtlijn 2004/108/EG (tot 19/04/2016) 2014/30/EU (vanaf 20/04/2016), 2006/42/EC en 2011/65/EU.

Neem voor meer informatie contact op met Stanley Fat Max op het volgende adres of raadpleeg de achterzijde van de handleiding.

De ondergetekende is verantwoordelijk voor de samenstelling van het technische bestand en legt deze verklaring af namens Stanley Fat Max.



R. Laverick  
Technisch Directeur  
Stanley Fat Max,  
210 Bath Road, Slough,  
Berkshire, SL1 3YD  
Verenigd Koninkrijk  
11-1-2016

## Garantie

Stanley Fat Max heeft vertrouwen in zijn producten en biedt consumenten een garantie van 12 maanden vanaf de datum van aankoop. Deze garantie vormt een aanvulling op uw wettelijke rechten en beperken deze niet. De garantie is geldig op het grondgebied van de Lidstaten van de Europese Unie en de Europese Vrijhandelszone.

Voor een garantie-aanspraak moet uw aanspraak in overeenstemming zijn met de Voorwaarden en Conditie van Stanley Fat Max en moet u een bewijs van aankoop overleggen aan de verkoper of aan een geautoriseerde reparatiemonteur. Voorwaarden en condities van de 1-jarige garantie van Stanley Fat Max en het adres van de vestiging van het geautoriseerde reparatiecentrum bij u in de buurt, kunt u vinden op internet op [www.2helpU.com](http://www.2helpU.com), of door contact op te nemen met een Stanley Fat Max-kantoor.

Ga naar onze website [www.stanley.eu/3co.uk](http://www.stanley.eu/3co.uk) om te registreren uw nieuwe product van Stanley Fat Max en ontvang informatie over nieuwe producten en speciale aanbiedingen.

## Uso previsto

La clavadora inalámbrica Stanley Fat Max FMC792B ha sido diseñada para aplicaciones de clavado. Este aparato está pensado para usuarios profesionales y para usuarios no profesionales privados.

## Instrucciones de seguridad

### Advertencias de seguridad generales para herramientas eléctricas



**Advertencia. Lea todas las advertencias de seguridad y todas las instrucciones.** En caso de no atenerse a las siguientes advertencias e instrucciones de seguridad, podría producirse una descarga eléctrica, incendio o lesión grave.

**Guarde todas las advertencias e instrucciones para futuras consultas.** El término "herramienta eléctrica" empleado en las advertencias a continuación hace referencia a la herramienta eléctrica con alimentación de red (con cable) o alimentada por batería (sin cable).

#### 1. Seguridad del área de trabajo

- a. **Mantenga limpia y bien iluminada el área de trabajo.**  
Las áreas en desorden u oscuras pueden provocar accidentes.
- b. **No utilice herramientas eléctricas en entornos con peligro de explosión, como aquellos en los que haya líquidos, gases o material en polvo inflamables.** Las herramientas eléctricas originan chispas que pueden inflamar el polvo o los gases.
- c. **Mantenga alejados a los niños y otras personas del área de trabajo al emplear la herramienta eléctrica.**  
Las distracciones pueden ocasionar que pierda el control.

#### 2. Seguridad eléctrica

- a. **El enchufe de la herramienta eléctrica debe corresponder a la toma de corriente. No modifique nunca el enchufe de ninguna forma. No utilice ningún enchufe adaptador con las herramientas eléctricas conectadas a tierra.** Los enchufes no modificados y las tomas de corriente correspondientes reducirán el riesgo de descarga eléctrica.
- b. **Evite que su cuerpo toque partes conectadas a tierra como tuberías, radiadores, cocinas y refrigeradores.** Existe un mayor riesgo de descarga eléctrica si su propio cuerpo está conectado a tierra.
- c. **No esponga las herramientas eléctricas a la lluvia y evite que penetren líquidos en su interior.** Si entra agua a una herramienta eléctrica aumentará el riesgo de descarga eléctrica.

- d. **Cuide el cable de alimentación. No use nunca el cable para transportar, tirar de la herramienta eléctrica o desenchufarla. Mantenga el cable alejado del calor, aceite, bordes afilados y piezas en movimiento.** Los cables dañados o enredados aumentan el riesgo de descarga eléctrica.
  - e. **Al trabajar con la herramienta eléctrica en la intemperie utilice solamente cables de prolongación homologados para su uso en exteriores.** La utilización de un cable adecuado para el uso en exteriores reduce el riesgo de descarga eléctrica.
  - f. **Si la utilización de una herramienta eléctrica en un lugar húmedo es inevitable, utilice una fuente protegida con un dispositivo de corriente residual (RCD).** El uso de un dispositivo de corriente residual reduce el riesgo de descarga eléctrica.
- 3. Seguridad personal**
- a. **Esté atento a lo que hace y emplee la herramienta eléctrica con prudencia. No maneje una herramienta eléctrica cuando esté cansado o bajo los efectos de drogas, medicamentos o alcohol.** Un momento de falta de atención cuando se manejan las herramientas eléctricas puede ocasionar lesiones personales graves.
  - b. **Utilice un equipo de protección personal. Utilice siempre protección ocular.** El uso del equipo protector como mascarillas antipolvo, calzado antideslizante, casco o protección auditiva para condiciones apropiadas reducirá las lesiones personales.
  - c. **Impida que la herramienta se ponga en marcha accidentalmente. Asegúrese de que el interruptor se encuentre en la posición de apagado antes de conectar la herramienta a la fuente de alimentación o a la batería, o de coger o transportar la herramienta.** Transportar herramientas eléctricas con el dedo puesto en el interruptor o herramientas eléctricas activadoras que tengan el interruptor encendido puede provocar accidentes.
  - d. **Retire las herramientas de ajuste o llaves fijas antes de encender la herramienta eléctrica.** Dejar una llave inglesa u otra llave puesta en una pieza en movimiento de la herramienta eléctrica puede ocasionar lesiones personales.
  - e. **Sea precavido. Mantenga un equilibrio adecuado y la estabilidad constantemente.** Esto permite un mejor control de la herramienta eléctrica en situaciones inesperadas.
  - f. **Lleve puesta una vestimenta de trabajo adecuada. No se ponga ropa suelta o joyas. Mantenga el cabello, la ropa y los guantes alejados de las piezas en movimiento.** La ropa suelta, las joyas y el pelo largo pueden quedar atrapados en las piezas en movimiento.
  - g. **Siempre que sea posible utilizar unos equipos de aspiración o captación de polvo, asegúrese de que estén montados y se utilicen correctamente.** El uso de equipo de recogida de polvo puede reducir los riesgos relacionados con el polvo.
- 4. Uso y cuidado de herramientas eléctricas**
- a. **No sobrecargue la herramienta eléctrica. Use la herramienta eléctrica correcta para su trabajo.** La herramienta eléctrica correcta funcionará mejor y con mayor seguridad si se utiliza de acuerdo con sus características técnicas.
  - b. **No utilice herramientas eléctricas con un interruptor defectuoso.** Toda herramienta eléctrica que no pueda controlarse con el interruptor es peligrosa y debe ser reparada.
  - c. **Desconecte el conector de la herramienta eléctrica de la fuente de alimentación y la batería antes de realizar cualquier ajuste, cambiar accesorios o guardar la herramienta.** Dichas medidas de seguridad preventivas reducen el riesgo de poner en marcha accidentalmente la herramienta eléctrica.
  - d. **Guarde las herramientas eléctricas fuera del alcance de los niños y de las personas que no estén familiarizadas con su uso.** Las herramientas eléctricas son peligrosas en manos de personas no capacitadas.
  - e. **Realice el mantenimiento de sus herramientas eléctricas. Controle si funcionan correctamente, sin atascarse, las partes móviles de la herramienta eléctrica, y si existen partes rotas o deterioradas que pudieran afectar al funcionamiento de la herramienta.** Si la herramienta eléctrica está dañada, llévela para que sea reparada antes de utilizarla. Se ocasionan muchos accidentes por el mal mantenimiento de las herramientas eléctricas.
  - f. **Mantenga las herramientas de corte limpias y afiladas.** Hay menos probabilidad de que las herramientas de cortar con bordes afilados se bloqueen, y son más fáciles de controlar.
  - g. **Utilice la herramienta eléctrica, los accesorios, los útiles de la herramienta, etc. de acuerdo con estas instrucciones, y tenga en cuenta las condiciones de trabajo y la tarea que va a realizar.** El uso de la herramienta eléctrica para operaciones que no sean las previstas puede ocasionar una situación peligrosa.
- 5. Uso y cuidado de la herramienta de baterías**
- a. **Recárguela solo con el cargador especificado por el fabricante.** Un cargador adecuado para un tipo de paquete de baterías puede provocar riesgos de incendio al ser utilizado con otro paquete de baterías.
  - b. **Utilice las herramientas eléctricas solamente con las baterías recomendadas.**

El uso de otras baterías puede suponer un riesgo de incendio y lesiones.

- c. **Cuando no utilice la batería, manténgala alejada de objetos de metal como clips para papel, monedas, llaves, clavos, tornillos y otros pequeños objetos metálicos que pueden realizar una conexión de un terminal a otro.** Si se produce un cortocircuito entre los terminales de la batería, pueden ocasionarse incendios o quemaduras.
- d. **En caso de uso abusivo puede salir líquido de la batería, evite el contacto. Si se produce un contacto accidental, lave con agua. Si el líquido se pone en contacto con los ojos, acuda además a un médico.** El líquido expulsado de la batería podrá provocar irritaciones o quemaduras.
6. **Servicio**
- a. **Esta herramienta eléctrica solo la puede reparar personal técnico autorizado que emplee exclusivamente piezas de repuesto originales.** Así se asegurará que se mantenga la seguridad de la herramienta eléctrica.

### Advertencias de seguridad adicionales para herramientas eléctricas

- ◆ **Utilice las empuñaduras auxiliares suministradas con la herramienta.** La pérdida de control puede provocar lesiones personales.
- ◆ **Sujete la herramienta eléctrica por la superficie de agarre aislada cuando realice una operación en la que el accesorio de corte pueda entrar en contacto con cableado oculto.** El contacto de los accesorios de corte con un cable "cargado", puede cargar las partes metálicas expuestas de la herramienta eléctrica y producir una descarga eléctrica al operador.
- ◆ **Sujete la herramienta eléctrica por la superficie protegida cuando realice una operación en la que el accesorio de corte pueda entrar en contacto con cableado oculto.** El contacto de los elementos de sujeción con un cable "cargado" puede cargar las partes metálicas expuestas de la herramienta eléctrica y producir una descarga eléctrica al operador.
- ◆ **Utilice un tornillo de banco u otro método práctico para asegurar y sujetar la pieza de trabajo a una plataforma estable.** Si sostiene la pieza de trabajo con las manos o con su cuerpo, esta estará inestable y podrá hacer que usted pierda el control.
- ◆ Antes de perforar paredes, suelos o techos, compruebe la ubicación de cables y tuberías.
- ◆ Evite tocar la punta de una broca inmediatamente después de taladrar, ya que puede estar caliente.
- ◆ En este manual se describe el uso previsto.

La utilización de accesorios o dispositivos auxiliares o la realización de operaciones distintas a las recomendadas en este manual de instrucciones para esta herramienta puede presentar riesgo de lesiones personales y/o de daños materiales.

### Seguridad de terceros

- ◆ Nunca permita que los niños ni las personas con capacidades físicas, sensoriales o mentales disminuidas; que carezcan de experiencia y conocimientos, o que no estén familiarizadas con estas instrucciones utilicen la máquina.
- ◆ Las normas locales pueden restringir la edad del usuario.
- ◆ No utilice el aparato mientras haya personas, especialmente niños, o mascotas cerca.

### Instrucciones de seguridad adicionales para clavadoras inalámbricas

- ◆ Utilice siempre gafas de seguridad.
- ◆ Utilice siempre protección auditiva.
- ◆ Use solo las sujeciones especificadas en el manual.
- ◆ No monte la herramienta sobre ningún tipo de soporte.
- ◆ No desmonte ni bloquee ninguna pieza de la herramienta clavadora de sujeciones, como por ejemplo el activador de contacto.
- ◆ Antes de cada operación, compruebe que el mecanismo de seguridad y de disparo funcione correctamente y que todas las tuercas y los bulones estén apretados.
- ◆ No utilice el aparato como martillo.
- ◆ No utilice el aparato en una escalera.
- ◆ Nunca dirija ninguna herramienta clavadora de sujeciones hacia usted mismo ni hacia ninguna otra persona.
- ◆ Cuando esté trabajando, sostenga la herramienta para impedir que se produzcan lesiones en la cabeza o el cuerpo en caso de un retroceso debido a una disrupción en el suministro de energía o a partes duras de la pieza de trabajo.
- ◆ Nunca haga funcionar la herramienta clavadora de sujeciones en un espacio libre.
- ◆ En la zona de trabajo, lleve la herramienta al lugar de trabajo usando una mano, y nunca con el disparador activado.
- ◆ Considere las condiciones de la zona de trabajo. Las sujeciones pueden atravesar piezas de trabajo finas o salirse por las esquinas y bordes de la pieza de trabajo, poniendo a riesgo las personas.
- ◆ No clave las sujeciones cerca del borde de la pieza de trabajo.
- ◆ No clave las sujeciones encima de otras sujeciones.
- ◆ Manipule siempre la herramienta como si estuviera cargada con sujeciones.

La manipulación descuidada de la clavadora puede dar lugar a una descarga de sujeciones y a lesiones personales.

- ◆ No apunte la herramienta hacia usted ni hacia las personas que se encuentren cerca. La activación imprevista descargará la sujeción provocando lesiones personales.
- ◆ No accione la herramienta hasta que no esté firmemente colocada contra la pieza de trabajo. Si la herramienta no está en contacto con la pieza de trabajo, la sujeción puede desviarse del objetivo.
- ◆ Desconecte la herramienta de la fuente de alimentación se produce un atasco de sujeciones en su interior. Mientras saca una sujeción atascada, la clavadora podrá activarse de forma accidental si está conectada.
- ◆ No utilice esta herramienta para fijar cables eléctricos. No está diseñada para instalar cables eléctricos y podría dañar el aislamiento de dichos cables. Esto puede provocar descargas eléctricas y riesgos de incendio.

### Riesgos residuales

El uso de esta herramienta puede producir riesgos residuales adicionales no incluidos en las advertencias de seguridad adjuntas.

Estos riesgos se pueden generar por un uso incorrecto, demasiado prolongado, etc.

El cumplimiento de las normas de seguridad correspondientes y el uso de dispositivos de seguridad no evitan ciertos riesgos residuales. Esto incluye:

- ◆ Lesiones producidas por el contacto con piezas móviles o giratorias.
- ◆ Lesiones producidas al cambiar cualquier pieza, cuchilla o accesorio.
- ◆ Lesiones producidas al usar una herramienta por un tiempo demasiado prolongado. Si utiliza una herramienta durante períodos de tiempo demasiado prolongados, asegúrese de realizar pausas con frecuencia.
- ◆ Deterioro auditivo.
- ◆ Riesgos para la salud producidos al respirar el polvo que se genera cuando se utiliza la herramienta (ejemplo: en los trabajos con madera, especialmente si son de roble, haya y tableros de densidad mediana).

### Vibración

Los valores de emisión de vibraciones declarados en el apartado de características técnicas y en la declaración de conformidad se han calculado según un método de prueba estándar proporcionado por la norma EN50636 y pueden utilizarse para comparar una herramienta con otra. El valor de emisión de vibraciones especificado también puede utilizarse en una evaluación preliminar de la exposición.

Advertencia.

El valor de emisión de vibraciones durante el funcionamiento real de la herramienta eléctrica puede diferir del valor declarado en función de cómo se utilice dicha herramienta. El nivel de las vibraciones puede aumentar por encima del nivel declarado.

Al evaluar la exposición a las vibraciones con el fin de determinar las medidas de seguridad que exige la directiva 2002/44/CE para proteger a las personas que utilizan periódicamente herramientas eléctricas en el entorno laboral, deberá tenerse en cuenta una estimación de la exposición a las vibraciones, las condiciones de uso reales y el modo de empleo de la herramienta, así como los pasos del ciclo operativo como, por ejemplo, el número de veces que la herramienta se apaga, el tiempo que está parada y el tiempo de activación.

### Etiquetas en la herramienta

Junto con el código de la fecha, en la herramienta aparecen los siguientes símbolos:



**Advertencia.** Para reducir el riesgo de lesiones, el usuario debe leer el manual de instrucciones.



**Advertencia.** Para reducir el riesgo de lesiones, el usuario debe usar protección ocular y auditiva.



Mantenga las manos y otras partes del cuerpo alejadas del área de trabajo inmediata.

### Instrucciones de seguridad adicionales para baterías y cargadores

#### Baterías

- ◆ Jamás trate de abrir las baterías por ningún motivo.
- ◆ No exponga la batería al agua.
- ◆ No guarde la batería en lugares en los que la temperatura pueda superar los 40 °C.
- ◆ Realice la carga únicamente a una temperatura ambiente de entre 10 °C y 40 °C.
- ◆ Para desechar las baterías, siga las instrucciones facilitadas en la sección "Protección del medioambiente".
- ◆ No dañe ni deforme la batería mediante perforaciones o golpes, ya que puede suponer un riesgo de incendio y de lesiones.
- ◆ No cargue baterías dañadas.
- ◆ En condiciones extremas, es posible que se produzcan fugas del líquido de las baterías. Cuando observe que se producen fugas en las baterías, limpie cuidadosamente el líquido con un paño. Evite el contacto con la piel.



- ◆ En caso de que se produzca contacto con la piel o los ojos, siga las instrucciones facilitadas a continuación.

**Advertencia.** El líquido de las baterías puede provocar lesiones o daños materiales. En caso de contacto con la piel, lave la zona afectada con agua inmediatamente. Si se produce enrojecimiento, dolor o irritación, solicite atención médica. En caso de contacto con los ojos, lave la zona inmediatamente con agua limpia y solicite atención médica.



No intente cargar baterías dañadas.

### Cargadores

- ◆ Use el cargador Stanley Fat Max solo para cargar la batería de la herramienta con la cual se le suministró. Otras baterías pueden explotar y provocar lesiones y daños materiales.
- ◆ Nunca intente cargar baterías no recargables.
- ◆ Haga sustituir inmediatamente los cables defectuosos.
- ◆ No exponga el cargador al agua.
- ◆ No abra el cargador.
- ◆ No inspeccione internamente el cargador.

### Símbolos del cargador



Este adaptador está pensado únicamente para utilizarse en un lugar interior.



Lea el manual de instrucciones antes de usar el producto.

### Seguridad eléctrica



El adaptador presenta un aislamiento doble; por lo tanto, no se requiere conexión a tierra. Cada vez que utilice el aparato, debe comprobar que el voltaje de la red eléctrica corresponda al valor indicado en la placa de características. No intente sustituir el adaptador por un enchufe convencional para la red eléctrica.

### Características

Este aparato incluye una o más de las siguientes características.

1. Interruptor del disparador
2. Interruptor de bloqueo del disparador
3. Botón de ajuste de profundidad
4. Indicador de ajuste de profundidad
5. Indicador de luz de trabajo/batería baja/atasco/bloqueo
6. Palanca de liberación de bloqueo
7. Pestillo de liberación de atasco
8. Activador de contacto
9. Cargador

10. Pestillo de empuje
11. Gancho de cinturón
12. Liberación de pestillo de empuje

### Uso

#### Cargar la batería

Hay que cargar la batería antes del primer uso y cada vez que note que no dispone de suficiente potencia para tareas que antes realizaba con facilidad.

Es posible que la batería se caliente durante la carga; esto es normal y no denota ningún problema.

**Advertencia.** No cargue la batería si la temperatura ambiente es inferior a 10 °C o superior a 40 °C. La temperatura de carga recomendada es de aproximadamente 24 °C.

**Nota:** El cargador no cargará la batería si la temperatura de esta es inferior a 10 °C o superior a 40 °C aproximadamente. Deje la batería en el cargador y este empezará a cargarla automáticamente cuando la temperatura de la batería aumente o disminuya.

- ◆ Conecte el cargador a la toma adecuada antes de introducir el paquete de baterías.
- ◆ Introduzca el paquete de baterías en el cargador.



El LED indicador de carga verde parpadeará, lo cual indica que se está cargando la batería.



Se indicará que la carga ha terminado porque la luz LED verde permanecerá encendida de manera continua. La batería estará cargada y podrá usarse, o dejarla en el cargador.

**Advertencia.** Recargue las baterías descargadas tan pronto como sea posible después del uso, de lo contrario se reducirá la vida útil de la batería.

#### Diagnóstico del cargador

Este cargador ha sido diseñado para detectar algunos problemas que pueden surgir con los paquetes de baterías o la fuente de alimentación. Los problemas se indican a través de un LED parpadeante con diferentes patrones.

#### Fallo de la batería



El cargador puede detectar si la batería está débil o dañada. El LED rojo parpadea con el patrón indicado en la etiqueta. Si nota este patrón de parpadeo del indicador de fallo de la batería, no siga recargando la batería. Llévela a un centro de servicios o a un punto de recogida para el reciclaje.

### Retardo por batería fría / caliente



Cuando el cargador detecta que la batería está demasiado fría o demasiado caliente, inicia automáticamente un retardo de batería fría/caliente y suspende la carga hasta que la batería se normalice. Después de esto, el cargador cambia automáticamente al modo de carga de batería. Esta característica le asegura el máximo de vida útil a la batería. El LED rojo parpadea con el patrón indicado en la etiqueta cuando detecta el retardo de batería fría/caliente.

### Dejar la batería en el cargador

El cargador y la batería pueden permanecer conectados durante un periodo de tiempo indefinido con el indicador LED iluminado. El cargador mantendrá la batería a baja temperatura y completamente cargada.

### Notas importantes para la carga

- ◆ Se puede obtener una vida útil más larga y un mejor rendimiento si se carga el paquete de baterías con una temperatura ambiente entre 18 °C- 24 °C. NO cargue el paquete de baterías si la temperatura ambiente es inferior a +4.5 °C o superior a +40.5 °C. Esto es importante y previene daños graves a la batería.
- ◆ El cargador y el paquete de baterías puede calentarse durante la carga. Esto es normal y no indica ningún problema. Para facilitar el enfriamiento de la batería después del uso, evite colocar el cargador o la batería en un ambiente cálido, como un cobertizo metálico o un remolque sin aislamiento.
- ◆ Si el paquete de baterías no se carga correctamente:
  - ◆ Enchufe una lámpara u otro aparato para comprobar la corriente de la toma.
  - ◆ Compruebe si la toma está conectada a un interruptor de luz que corta la energía al apagar las luces.
  - ◆ Desplace el cargador y el paquete de baterías hacia un lugar donde la temperatura ambiente sea de aproximadamente 18 °C - 24 °C.
  - ◆ Si el problema de carga persiste, lleve la herramienta, el paquete de baterías y el cargador a su servicio técnico local.
- ◆ El paquete de baterías debe recargarse cuando no produce energía suficiente para trabajos que antes se efectuaban fácilmente.

NO SIGA usándolo en estas condiciones. Siga el procedimiento de carga. También puede cargar un paquete parcialmente usado cuando lo desee, sin ningún efecto adverso para la batería.

- ◆ Los materiales conductores extraños como, a título enunciativo pero no limitativo, lana de acero, papel de aluminio o cualquier acumulación de partículas metálicas deben mantenerse alejados de las cavidades del cargador. Desconecte siempre el cargador de la red cuando no haya ningún paquete de baterías en la cavidad. Desconecte el cargador antes de intentar limpiarlo.
    - ◆ No congelar ni sumergir en agua u otros líquidos.
- Advertencia. Peligro de descarga. No permita que ningún líquido penetre en el cargador. No intente nunca abrir el paquete de baterías por ningún motivo. Si la carcasa de plástico del paquete de baterías se rompe o se agrieta, llévela a un servicio técnico para reciclarla.

### Instalación y extracción del paquete de batería de la herramienta

Advertencia. Asegúrese de que el botón de desbloqueo no esté bloqueado para evitar que se active el interruptor antes de sacar o colocar la batería.

### Colocación del paquete de baterías

Inserte la batería (A1) en el aparato hasta que oiga un clic (Figura A). Asegúrese de que el paquete de baterías quede bien colocado y enganchado en su posición.

### Extracción del paquete de baterías

Presione el botón de liberación de la batería (B1), tal como se muestra en la Figura B, y extraiga el paquete de baterías del aparato.

### Funcionamiento

Advertencia. Lea la sección titulada Advertencias de seguridad de la clavadora al inicio de este manual. Cuando utilice la herramienta, utilice siempre protección ocular y auditiva. Mantenga la clavadora apuntando en sentido contrario a usted y a otras personas. Para un funcionamiento más seguro, realice los siguientes procedimientos y comprobaciones antes de usar cada vez la clavadora.

Advertencia. Para reducir el riesgo de lesiones personales, desconecte el paquete de baterías de la herramienta y active el bloqueo del disparador antes de realizar el mantenimiento, liberar un atasco de clavos, dejar la zona de trabajo, llevar la herramienta hacia otro lado o pasársela a otra persona.

Advertencia. Mantenga los dedos ALEJADOS del disparador cuando no esté clavando sujeciones, para evitar disparos accidentales. Nunca lleve la herramienta con el dedo puesto en el disparador.

- ◆ Utilice siempre protección ocular, auditiva y respiratoria.

- ◆ Saque el paquete de baterías de la herramienta y active el bloqueo de seguridad del disparador.
- ◆ Bloquee el empujador hacia atrás y extraiga todas las tiras de clavos del cargador.
- ◆ Compruebe que el conjunto del activador de contacto y del empujador funcionen correctamente y sin inconvenientes. No utilice la herramienta si cualquier de los dos conjuntos no funciona adecuadamente.
- ◆ Nunca use una herramienta que tenga piezas dañadas.

## Utilizar la clavadora

**Advertencia.** Hay que apretar el activador de contacto y después tirar completamente el disparador para cada clavo y soltarlos después de clavar cada clavo.

**Advertencia.** Siempre hay que extraer la batería y activar el bloqueo del disparador cuando haga ajustes o cuando no utilice la herramienta.

- ◆ Apriete completamente el activador de contacto contra la superficie de trabajo.
- ◆ Tire completamente el disparador para arrancar el motor. (el clavo se clavará en la superficie de trabajo).
- ◆ Suelte el disparador.
- ◆ Levante el activador de contacto de la superficie de trabajo.
- ◆ Repita los 4 pasos anteriores para la próxima aplicación

## Preparar la herramienta

**Advertencia.** NUNCA pulverice ni aplique otros aceites, lubricantes o disolventes de limpieza dentro de la herramienta. Esto puede afectar seriamente la duración y los resultados de la herramienta.

**Advertencia.** Siempre hay que extraer la batería y activar el bloqueo del disparador cuando haga ajustes o cuando no utilice la herramienta.

- ◆ Lea la sección de instrucciones de seguridad de este manual.
- ◆ Use protección ocular y auditiva.
- ◆ Extraiga la batería de la herramienta y cárguela completamente.
- ◆ Compruebe que el cargador no contenga ninguna sujeción.
- ◆ Compruebe que el activador de contacto y el conjunto del empujador funcionen correctamente y sin inconvenientes. No utilice la herramienta si cualquier de los dos conjuntos no funciona adecuadamente.
- ◆ Mantenga la herramienta apuntando en sentido contrario a usted y a otras personas.
- ◆ Inserte el paquete de baterías totalmente cargado.

## Cargar la herramienta

**Advertencia.** Mantenga la herramienta apuntando en sentido contrario a usted y a otras personas. Podrían provocar daños personales.

**Advertencia.** Nunca cargue clavos con el activador de contacto o el disparador activados.

**Advertencia.** Extraiga siempre el paquete de baterías antes de cargar o descargar clavos.

**Advertencia.** Siempre hay que extraer la batería y activar el bloqueo del disparador cuando haga ajustes o cuando no utilice la herramienta.

**Advertencia.** Mantenga los dedos alejados del empujador para prevenir lesiones.

- ◆ Inserte las fijaciones en el fondo del cargador (9).
- ◆ Tire el empujador (10) hacia abajo hasta que el prensa clavos (C1) caiga detrás de los clavos como se muestra en la figura C.
- ◆ Suelte el empujador (10).

## Descargar la herramienta

**Advertencia.** Siempre hay que extraer la batería y activar el bloqueo del disparador cuando haga ajustes o cuando no utilice la herramienta.

- ◆ Pulse el botón de liberación del pestillo de empuje (12).
- ◆ Deslice manualmente los clavos hacia el fondo del cargador (9).
- ◆ Abra la puerta de liberación de atascos (7) de la boca de la herramienta para comprobar que no hayan quedado clavos.

## Ajustar la profundidad (Figs. D y E)

La profundidad de clavado de las sujeciones puede ajustarse usando el botón de ajuste de profundidad (3) que se encuentra al costado de la herramienta.

**Advertencia.** Para reducir el riesgo de lesiones graves por funcionamiento accidental, cuando ajuste la profundidad, siempre tiene que:

- ◆ Extraer el paquete de baterías.
- ◆ Activar el bloqueo del disparador.
- ◆ Evitar el contacto con el disparador durante los ajustes.

La configuración de profundidad se realiza con una escala deslizable (4). El lado izquierdo indica la mayor profundidad, y el lado derecho, la menor profundidad.

- ◆ Para clavar un clavo más profundamente, gire el botón de ajuste de profundidad (3) hacia abajo. Con ello deslizará el indicador de ajuste de profundidad (4) a la izquierda de la escala.
- ◆ Para clavar un clavo más superficialmente, gire el botón de ajuste de profundidad (3) hacia arriba. Con ello deslizará el indicador de ajuste de profundidad (4) a la derecha de la escala.

## Luces de trabajo (Fig. F)

Hay luces de trabajo (5) ubicadas a cada lado de la clavadora. Las luces de trabajo se encienden apretando el activador de contacto.

Nota: Estas luces de trabajo sirven para alumbrar la superficie de trabajo inmediata y no pueden utilizarse como luces portátiles.



### Indicador de batería baja:

Las luces de trabajo parpadean y se apagan completamente para indicar que la batería tiene poca carga.



### Indicador de clavo atascado:

Las luces de trabajo parpadean continuamente si se atasca un clavo en la boca de la herramienta (véase Liberar un clavo atascado).

### Liberación de bloqueos (Fig. G)

Advertencia. Si se produce un bloqueo, la herramienta se desactiva automáticamente y hay que restablecerla. Para hacerlo, siga las instrucciones para liberar un bloqueo. Después extraiga el paquete de baterías y vuélvalo a colocar. Ahora la herramienta volverá a funcionar. Si la clavadora se utiliza en aplicaciones difíciles en las que se utiliza toda la energía disponible del motor para clavar una sujeción, la herramienta puede bloquearse. La hoja del impulsor no completó el ciclo de clavado y parpadea el indicador de atasco/bloqueo. Gire la palanca de liberación de bloqueo (6) de la herramienta y el mecanismo lo liberará como se muestra en la figura G.

Nota. La herramienta se desactivará automáticamente y no se reiniciará hasta que no se saque y se vuelva a colocar el paquete de baterías. Si la unidad sigue atascada, revise el material y la longitud del clavo para garantizar que la aplicación no sea demasiado difícil. Si la cuchilla del impulsor no vuelve automáticamente a la posición de inicio después de girar la palanca de liberación de bloqueo, proceda a "liberar un clavo atascado".



### Liberar clavos atascados (Fig. H)

Advertencia. Para reducir el riesgo de lesiones personales, desconecte el paquete de baterías de la herramienta y active el bloqueo del disparador antes de efectuar el mantenimiento o de liberar un clavo atascado.

Si se atasca un clavo en la boca de la herramienta, mantenga la herramienta en sentido contrario a usted y siga estas instrucciones para liberarlo:

- ◆ Saque el paquete de baterías de la herramienta y active el bloqueo de seguridad del disparador.



- ◆ Gire la palanca de liberación de bloqueo (6) de la herramienta para soltar la hoja del impulsor y liberar el atasco. Si la herramienta aún está atascada, siga los 9 pasos que se indican abajo:

- ◆ Tire el empujador hacia abajo hasta que encaje en su posición y vuelque la herramienta para que los clavos se deslicen libremente hacia fuera desde el fondo del cargador.



- ◆ Levante el pestillo de liberación de atasco (7) y tire hacia arriba para abrir la puerta delantera (14).
- ◆ Retire el clavo doblado utilizando un alicate si es necesario.
- ◆ Si la hoja del impulsor se encuentra en posición hacia abajo, introduzca un destornillador u otra varilla en la boca de la herramienta y empuje la hoja hacia atrás.
- ◆ Cierre la puerta delantera y meta el elemento de alambre (13) debajo de los dos brazos (15) del activador de contacto. Empuje hacia abajo el pestillo de liberación de atascos (7) hasta que quede encajado en su posición.
- ◆ Vuelva a colocar los clavos en el cargador (véase Cargar la herramienta).
- ◆ Tire el empujador (10) hacia abajo hasta que el prensa clavos (C1) caiga detrás de los clavos como se muestra en la figura C.
- ◆ Vuelva a colocar el paquete de baterías.
- ◆ Desactive el bloqueo del disparador (2) para permitir que actúe el disparador.

Advertencia. Si se produce un atasco, la herramienta se desactiva automáticamente y hay que restablecerla. Para hacerlo, siga las instrucciones para liberar un clavo atascado. Después extraiga el paquete de baterías y vuélvalo a colocar. Ahora la herramienta volverá a funcionar.

Nota. Si los clavos siguen atascándose frecuentemente en el activador de contacto, haga reparar la herramienta en un centro de servicios autorizado de Stanley Fat Max.

### Funcionamiento en clima frío

Cuando se utilizan las herramientas a temperaturas bajo cero:

- ◆ Mantenga la herramienta tan cálida como sea posible antes del uso.
- ◆ Haga funcionar la herramienta 5 o 6 veces en madera de desecho antes del uso.

## Funcionamiento en clima cálido

La herramienta debería funcionar normalmente. No obstante, mantenga la herramienta alejada de la luz solar directa pues el calor excesivo puede deteriorar los parachoques y otras piezas de caucho y hacer que requiera más mantenimiento.

## Gancho de cinturón (Fig. I-J)

Advertencia. Extraiga los clavos del cargador antes de realizar cualquier ajuste o el mantenimiento a la herramienta. Si no lo hace, podrían ocasionarse lesiones personales.

- ◆ Saque el paquete de baterías de la herramienta y active el bloqueo de seguridad del disparador.
- ◆ Con un destornillar extraiga el tornillo de la cavidad del gancho de colgar de la base de la herramienta (16).
- ◆ Coloque el labio anterior del gancho de colgar (11) en la cavidad de la base de la herramienta (16) como se muestra en la Figura I.
- ◆ Fije el gancho de colgar (11) con el tornillo suministrado (17) y apriételo firmemente con un destornillador como se muestra en la Figura J.
- ◆ Sustituya el paquete de baterías.

## Piezas de repuesto

**Advertencia.** Para reducir el riesgo de lesiones personales, desconecte el paquete de baterías de la herramienta y active el bloqueo del disparador antes de efectuar el mantenimiento o de liberar un clavo atascado.

La herramienta viene equipada con una punta que no deja marcas de repuesto situada al costado del cargador de clavos.

- ◆ Para sustituir la punta que no deja marcas, simplemente tiene que sacar la punta que no deja marcas y colocar la nueva en el activador de contacto.

Use solamente piezas de repuesto idénticas. Para solicitar una lista de piezas o piezas, visite nuestra página web de servicios en [www.stanley.eu/3co.uk](http://www.stanley.eu/3co.uk). También puede ordenar piezas a su

Centro de Servicios de Fábrica de Stanley Fat Max o de garantía autorizado de Stanley Fat Max.

## Resolución de problemas

Si nota que el aparato no funciona bien, siga las instrucciones que se indican a continuación.

Si no se resuelve el problema, póngase en contacto con un técnico autorizado de Stanley Fat Max.

**Advertencia.** Antes de hacerlo, desconecte el aparato.

Problema	Causa posible	Solución posible
La unidad no arranca.	La batería no se ha instalado correctamente.  El paquete de baterías no está cargado.  El bloqueo del disparador está activado.	Compruebe la instalación de la batería.  Compruebe los requisitos de carga de la batería.  Desactive el bloqueo del disparador.
La herramienta no funciona. (Luces encendidas, el motor no funciona)	El motor se detiene al cabo de 2 segundos.	Funcionamiento normal, suelte el disparador o el activador de contacto y vuelva a apretar.
La herramienta no funciona (luces parpadean)	Carga baja de la batería o batería dañada.	Cargue o sustituya la batería.
La herramienta no funciona (luces delanteras parpadean continuamente)	Sujeciones bloqueadas / herramienta atascada.  Mecanismo atascado	Extraiga la batería, gire la palanca de liberación de bloqueo. Libere las sujeciones atascadas y vuelva a colocar la batería.  Véase centro de servicios autorizado.
La herramienta no funciona (luces encendidas, motor funciona, hoja de impulsión bloqueada)		Véase centro de servicios autorizado.
La herramienta funciona, pero no clava la sujeción completamente.	Carga baja de la batería o batería dañada.  El ajuste de profundidad es demasiado superficial.  La herramienta no se aplicó firmemente sobre la pieza de trabajo.  Longitud del material y de la sujeción demasiado para aplicación difícil.	Cargue o sustituya la batería.  Gire el botón de ajuste de profundidad a una configuración más profunda.  Lea el manual de instrucciones.  Elija el material o la longitud de la sujeción adecuados.

## Mantenimiento

Este aparato o herramienta con o sin cable de Stanley Fat Max ha sido diseñada para funcionar durante un largo período de tiempo con un mantenimiento mínimo. El funcionamiento satisfactorio continuado depende de un cuidado apropiado y una limpieza periódica de la herramienta o aparato.

**Advertencia.** Antes de proceder con la limpieza, apague el aparato y desenchúfelo.

- ◆ Puede utilizar un paño para quitar la suciedad y la grasa del exterior del aparato.

**Advertencia.** NUNCA utilice disolventes ni ningún otro producto químico abrasivo para limpiar las piezas no metálicas del aparato.

Estos productos químicos pueden debilitar los materiales usados en estas partes. Use un paño humedecido únicamente con agua y jabón suave. Evite que penetre líquido en el interior de la unidad; nunca sumerja ninguna parte de esta en líquido.

**Advertencia.** NUNCA pulverice ni aplique otros lubricantes o disolventes de limpieza dentro de la herramienta. Esto puede afectar seriamente la duración y los resultados de la herramienta.

**Notas para la reparación**

Este producto no puede ser reparado por el usuario. No existen partes internas de la clavadora que pueda reparar el usuario. Es necesaria la reparación en un centro de asistencia técnica autorizado para evitar daños en los componentes internos sensibles a la estática.

**Protección del medio ambiente**



Recogida selectiva. Los productos y las baterías marcadas con este símbolo no se deben eliminar con los residuos domésticos normales.

Los productos y las baterías que contienen materiales que se puedan recuperar o reciclar reducen la demanda de materias primas.

Recicle los productos eléctricos y las baterías de conformidad con la normativa local. Puede obtener más información en [www.2helpU.com](http://www.2helpU.com)

**Datos técnicos**

FMC792B Tipo:2		
Tensión	V <sub>CC</sub>	18
Tipo de batería		Litio-ión
Modo de funcionamiento		Secuencial
Ángulo de cargador		Recto
Velocidad en vacío	rpm	9100
Energía de clavado	aprox.	60J
Peso (solo la herramienta)	kg	2.6

Sujeciones			
Longitud	mm		25 - 64
Diámetro de vástago	mm		1.6
Ángulo			Recto

Cargador			90608625
Voltaje de entrada	V <sub>CA</sub>		230
Voltaje de salida	V <sub>CC</sub>		18
Corriente	Ah		2.0
Tiempo de carga aproximado			1 h (2.0 Ah) 2 h (4.0 Ah)
Peso (solo la herramienta)	kg		0.45

		FMC687L	FMC688L
Tensión	V <sub>CA</sub>	18	18
Capacidad	Ah	2.0ah	4.0ah
Peso	kg	0.35	0.67
Tipo		Litio-ión	Litio-ión

Nivel de presión acústica de acuerdo con la norma EN 60745 - 1:
Presión acústica (L <sub>pA</sub> ) 87 dB(A), incertidumbre (K) 1.5 dB(A)
Potencia acústica (L <sub>WA</sub> ) 92 dB(A), incertidumbre (K) 2.5 dB(A)

Valores totales de vibración (suma vectorial triaxial) de acuerdo con la norma EN 60745 - 2 - 16:
Grapas (a <sub>v</sub> ) 1.8 m/s <sup>2</sup> , incertidumbre (K) 1.8 m/s <sup>2</sup>

**Declaración de conformidad CE**

DIRECTIVA DE MÁQUINAS



FMC792B - Clavadora inalámbrica  
Stanley Fat Max declara que los productos descritos en la

"ficha técnica" cumplen las siguientes normas:


EN60745-1: 2009 +A11:2010,

EN 60745 - 2 -16:2010

Estos productos también cumplen con las Directivas 2004/108/CE (hasta el 19/04/2016), 2014/30/UE (desde el 20/04/2016), 2006/42/EC y 2011/65/UE.

Si desea obtener más información, póngase en contacto con Stanley Fat Max a través de la siguiente dirección o consulte el dorso del manual.

El que suscribe es responsable de la compilación del archivo técnico y realiza esta declaración en nombre de Stanley Fat Max.



R. Laverick  
 Director de Ingeniería  
 Stanley Fat Max,  
 210 Bath Road, Slough,  
 Berkshire, SL1 3YD  
 Reino Unido  
 11/01/2016

### Garantía

Stanley Fat Max confía en la calidad de sus productos y ofrece a los consumidores una garantía de 12 meses a partir de la fecha de compra. Esta garantía es adicional a sus derechos legales y no los menoscaba en modo alguno. La garantía es válida dentro de los territorios de los Estados Miembros de la Unión Europea y del Área de Libre Comercio Europea.

Para reclamar la garantía, la reclamación se debe presentar de conformidad con las condiciones de Stanley Fat Max. Tendrá que adjuntar un justificante de compra al vendedor o al agente técnico autorizado. Puede obtener las condiciones generales de la garantía de 1 año de Stanley Fat Max y la ubicación de su agente de reparaciones autorizado más cercano en el sitio web [www.2helpU.com](http://www.2helpU.com) o poniéndose en contacto con su oficina local de Stanley Fat Max.

Visite nuestro sitio web [www.stanley.eu/3co.uk](http://www.stanley.eu/3co.uk) y registre su nuevo producto Stanley Fat Max para mantenerse al día sobre los nuevos productos y las ofertas especiales.

### Utilização pretendida

A agrafadora sem fio Stanley Fat Max FMC792B foi concebida para agrafar. Este aparelho destina-se a utilização profissional bem como a utilizadores privados não profissionais.

### Instruções de segurança

#### Avisos de segurança gerais para ferramentas eléctricas



**Atenção! leia todos os avisos de segurança e todas as instruções.** O não cumprimento dos seguintes avisos e instruções pode resultar em choque eléctrico, incêndio e/ou graves lesões.

**Guarde todos os avisos e instruções para futura referência.** A expressão "ferramenta eléctrica" utilizada a seguir refere-se a ferramentas eléctricas com ligação à corrente eléctrica (com cabo) ou com bateria (sem fios).

1. **Segurança na área de trabalho**
  - a. **Mantenha a área de trabalho limpa e bem iluminada.** As áreas desorganizadas ou escuras são propensas a acidentes.
  - b. **Não trabalhe com ferramentas eléctricas em áreas com risco de explosão, nas quais se encontrem líquidos, gases ou poeiras inflamáveis.** As ferramentas eléctricas criam faíscas que poderão inflamar estas poeiras ou vapores.
  - c. **Mantenha crianças e outras pessoas afastadas durante a utilização da ferramenta eléctrica.** As distrações podem levar à perda do controlo da ferramenta.
2. **Segurança eléctrica**
  - a. **As fichas da ferramenta eléctrica devem caber na tomada. Nunca modifique a ficha de forma alguma. Não utilize fichas adaptadoras com ferramentas eléctricas ligadas à terra.** As fichas não modificadas e as tomadas compatíveis reduzem o risco de choque eléctrico.
  - b. **Evite que o corpo entre em contacto com superfícies ligadas à terra, como tubos, radiadores, fogões e frigoríficos.** Se o seu corpo estiver "ligado" à terra, o risco de choque eléctrico é maior.
  - c. **As ferramentas eléctricas não podem ser expostas a chuva nem humidade.** A entrada de água numa ferramenta eléctrica aumenta o risco de choque eléctrico.
  - d. **Manuseie o cabo com cuidado. Nunca o utilize para transportar, puxar ou desligar a ferramenta eléctrica.**

- Mantenha o cabo afastado de fontes de calor, substâncias oleosas, extremidades aguçadas ou peças móveis.** Os cabos danificados ou emaranhados aumentam o risco de choque eléctrico.
- e. Quando trabalhar com uma ferramenta eléctrica ao ar livre, utilize um cabo de extensão apropriado para esse fim.** A utilização de um cabo adequado para uso ao ar livre reduz o risco de choque eléctrico.
- f. Se for inevitável trabalhar com uma ferramenta eléctrica num local húmido, utilize um dispositivo de corrente residual (RCD).** A utilização de um DCR reduz o risco de choque eléctrico.
- 3. Segurança pessoal**
- a. Mantenha-se atento, observe o que está a fazer e seja prudente quando trabalhar com a ferramenta eléctrica. Não utilize uma ferramenta eléctrica quando estiver cansado ou sob o efeito de drogas, álcool ou medicamentos.** Um momento de distração durante a utilização de ferramentas eléctricas poderá resultar em ferimentos graves.
- b. Utilize equipamento de protecção pessoal. Use sempre uma protecção ocular.** O equipamento de protecção, como, por exemplo, uma máscara contra o pó, sapatos de segurança antiderrapantes, um capacete de segurança ou uma protecção auditiva, usado nas condições apropriadas, reduz o risco de ferimentos.
- c. Evite arranques involuntários. Certifique-se de que o botão está desligado antes de ligar a ferramenta à corrente eléctrica e/ou à bateria, e antes de pegar ou transportar a ferramenta.** Se mantiver o dedo sobre o interruptor ao transportar ferramentas eléctricas ou se as ligar à fonte de alimentação com o interruptor ligado, poderá dar origem a acidentes.
- d. Retire eventuais chaves de ajuste ou chaves de fendas antes de ligar a ferramenta eléctrica.** Uma chave de fenda ou de ajuste que se encontre numa peça em rotação da ferramenta eléctrica poderá causar lesões.
- e. Não tente chegar a pontos fora do alcance. Mantenha sempre os pés bem apoiados e um equilíbrio apropriado.** Desta forma, será mais fácil controlar a ferramenta eléctrica em situações inesperadas.
- f. Use vestuário adequado. Não use roupa larga nem jóias. Mantenha o cabelo, a roupa e as luvas afastados das peças móveis.** As roupas largas, as jóias ou o cabelo comprido podem ficar presos nestas peças.
- g. Se for prevista a montagem de dispositivos de extracção e recolha de poeiras, assegure-se de que estão ligados e que são utilizados de forma correcta.** A utilização de dispositivos de extracção de partículas pode reduzir os riscos relacionados com as mesmas.
- 4. Utilização e manutenção da ferramenta eléctrica**
- a. Não sobrecarregue a ferramenta eléctrica. Utilize a ferramenta eléctrica correcta para o seu trabalho.** A ferramenta eléctrica adequada irá efectuar o trabalho de um modo mais eficiente e seguro se for utilizada de acordo com a capacidade para a qual foi concebida.
- b. Não utilize a ferramenta eléctrica se o interruptor não puder ser ligado nem desligado.** Qualquer ferramenta eléctrica que não possa ser controlada através do interruptor de alimentação é perigosa e tem de ser reparada.
- c. Desligue a ficha da tomada e/ou a bateria da ferramenta eléctrica antes de proceder a ajustes, trocar acessórios ou guardar ferramentas eléctricas.** Estas medidas de segurança preventivas reduzem o risco de ligar a ferramenta eléctrica acidentalmente.
- d. Mantenha as ferramentas eléctricas que não estiverem a ser utilizadas fora do alcance das crianças. Não permita que a ferramenta eléctrica seja utilizada por pessoas não familiarizadas com a mesma ou que não tenham lido estas instruções.** As ferramentas eléctricas são perigosas nas mãos de pessoas que não possuam as qualificações necessárias para as manusear.
- e. Proceda à manutenção das ferramentas eléctricas. Verifique se as partes móveis estão desalinhadas ou bloqueadas, se existem peças partidas ou qualquer outra situação que possa afectar o funcionamento das ferramentas eléctricas. Se a ferramenta eléctrica estiver danificada, esta não deve ser utilizada até que seja reparada.** Muitos acidentes têm como principal causa ferramentas eléctricas com uma manutenção insuficiente.
- f. Mantenha as ferramentas de corte afiadas e limpas.** As ferramentas de corte sujeitas a uma manutenção adequada, com arestas de corte afiadas, emperram com menos frequência e controlam-se com maior facilidade.
- g. Utilize a ferramenta eléctrica, os acessórios e as peças de ferramenta, etc., de acordo com estas instruções, considerando as condições de trabalho e a tarefa a ser executada.** A utilização da ferramenta eléctrica para fins diferentes dos previstos poderá resultar em situações perigosas.
- 5. Utilização e cuidados a ter com a ferramenta com pilhas**
- a. Carregue apenas com o carregador especificado pelo fabricante.** Um carregador adequado para um tipo de bateria pode causar um incêndio se for utilizado com outra bateria.
- b. Utilize ferramentas eléctricas apenas com baterias específicas.** A utilização de outras baterias pode dar origem a risco de danos e incêndio.



- c. Quando não utilizar a pilha, mantenha-a afastada de outros objectos metálicos, tais como cliques para papel, moedas, chaves, pregos, parafusos ou outros pequenos objectos metálicos que permitam fazer a ligação de um terminal para outro. O curto-circuito de terminais das pilhas pode causar queimaduras ou incêndio.
- d. Em condições abusivas, pode derramar líquido da pilha, devendo evitar o contacto. Se tocar acidentalmente no líquido, lave bem com água. Se o líquido entrar em contacto com os olhos, consulte um médico. O líquido derramado da bateria pode causar irritação ou queimaduras.
6. Assistência
- a. A sua ferramenta eléctrica só deve ser reparada por pessoal qualificado e só devem ser colocadas peças sobressalentes originais. Desta forma, é garantida a segurança da ferramenta eléctrica.

### Avisos de segurança adicionais para ferramentas eléctricas

- ◆ Utilize os punhos auxiliares fornecidos com a ferramenta. A perda de controlo pode causar lesões pessoais.
- ◆ Segure a ferramenta eléctrica pelas áreas isoladas quando executar uma operação em que o acessório de corte possa entrar em contacto com a cablagem oculta. O acessório de corte que entre em contacto com um fio com tensão eléctrica poderão fazer com que as peças de metal expostas da ferramenta conduzam electricidade e electrocitem o utilizador.
- ◆ Segure a ferramenta eléctrica pelas áreas isoladas quando executar uma operação em que o agrafos possa entrar em contacto com a cablagem oculta. Os agrafos que entrem em contacto com um fio com tensão eléctrica poderão fazer com que as peças de metal expostas da ferramenta conduzam electricidade e electrocitem o utilizador.
- ◆ Utilize grampos ou outro sistema prático para apoiar e fixar a peça numa plataforma estável. Segurar a peça com a mão ou contra o corpo pode causar instabilidade e perda de controlo.
- ◆ Antes de perfurar paredes, tectos ou chão, verifique a localização de cablagem e tubos.
- ◆ Evite tocar na ponta de uma broca logo após a perfuração, uma vez que esta poderá estar quente.
- ◆ A utilização adequada é descrita neste manual de instruções. A utilização de qualquer acessório ou a realização de qualquer operação com esta ferramenta que não se inclua no presente manual de instruções poderá representar um risco de ferimentos e/ou danos materiais.

### Segurança de terceiros

- ◆ Não permita que crianças, pessoas com capacidade físicas, sensoriais ou mentais reduzidas ou falta de experiência ou conhecimentos ou não familiarizadas com estas instruções utilizem a máquina.
- ◆ Os regulamentos locais podem restringir a idade do operador.
- ◆ Nunca utilize a máquina enquanto estiverem pessoas (em especial, crianças) ou animais nas proximidades.

### Instruções de segurança adicionais para agrafadoras sem fio

- ◆ Utilize sempre óculos de protecção.
- ◆ Utilize sempre protecção para os ouvidos.
- ◆ Utilize apenas os agrafos especificados no manual.
- ◆ Não utilize quaisquer suportes para montar a ferramenta numa base.
- ◆ Não desmonte ou bloqueie quaisquer peças da ferramenta de aparafusar como o activador de contacto.
- ◆ Antes de cada operação, deve verificar se o mecanismo de segurança e accionamento está a funcionar correctamente e se todas as porcas e parafusos estão apertados.
- ◆ Não utilize a ferramenta como martelo.
- ◆ Não utilize a ferramenta quando estiver em cima de um escadote.
- ◆ Nunca aponte a ferramenta de aparafusar operacional na sua direcção ou de outra pessoa.
- ◆ Quando estiver a utilizar a ferramenta, segure-a de modo a não causar quaisquer ferimentos na cabeça ou no copo se houver recuo causado por um corte do fornecimento de energia ou superfícies duras dentro da peça de trabalho.
- ◆ Nunca dispare a ferramenta de aparafusar para o ar.
- ◆ No local de trabalho, transporte a ferramenta apenas pela pega e nunca a faça com o gatilho accionado.
- ◆ Tenha em atenção as condições no local de trabalho. Os agrafos têm capacidade para penetrar peças de trabalho finas ou escorregar em cantos e arestas da peça de trabalho e, por conseguinte, colocar a vida das pessoas em risco.
- ◆ Não fixe agrafos perto da extremidade da peça de trabalho.
- ◆ Não fixe agrafos sobre outros agrafos.
- ◆ Parta sempre do pressuposto que a ferramenta contém agrafos. Um manuseio descuidado da agrafadora pode resultar numa disparo inesperado dos agrafos e em ferimentos.
- ◆ Não aponte a ferramenta para si ou qualquer pessoa por perto. O disparo inesperado irá disparar o agrafos e causar ferimentos.

- ◆ **Não accione a ferramenta, excepto se a ferramenta estiver colocada firmemente contra a peça.** Se a ferramenta não estiver em contacto com a peça, o agrafo poderá ser desviado do alvo.
- ◆ **Desligue a ferramenta da fonte de alimentação quando o agrafo encravar na ferramenta.** Quando remover um agrafo encravado, a agrafadora pode ser activada acidentalmente se estiver ligada à corrente.
- ◆ **Não utilize esta ferramenta para a fixação de cabos eléctricos.** Não foi concebida para a instalação de cabos eléctricos e poderá danificar o isolamento dos cabos eléctricos, resultando assim em perigos de incêndio ou choques eléctricos.

## Riscos residuais

Podem surgir riscos residuais adicionais durante a utilização da ferramenta, que poderão não constar nos avisos de segurança incluídos.

Estes riscos podem resultar de má utilização, uso prolongado, etc.

Mesmo com o cumprimento dos regulamentos de segurança relevantes e a implementação de dispositivos de segurança, alguns riscos residuais não podem ser evitados. Estes incluem:

- ◆ Ferimentos causados pelo contacto com peças em rotação/movimento.
- ◆ Ferimentos causados durante a troca de peças, lâminas ou acessórios.
- ◆ Ferimentos causados pela utilização prolongada de uma ferramenta. Quando utilizar uma ferramenta durante períodos prolongados, certifique-se de que faz pausas regularmente.
- ◆ Danos auditivos.
- ◆ Problemas de saúde causados pela inalação de poeiras resultantes da utilização da ferramenta (exemplo: trabalhos em madeira, especialmente carvalho, faia e MDF.)

## Vibração

Os valores de emissão de vibração declarados na secção de dados técnicos e na declaração de conformidade foram medidos de acordo com o método de teste padrão fornecido pela EN EN50636 e podem ser utilizados para comparar ferramentas. O valor de emissão de vibração declarado pode ainda ser utilizado numa avaliação preliminar de exposição.

**Atenção!** O valor de emissão de vibração durante a utilização real da ferramenta eléctrica pode ser diferente do valor declarado, dependendo da forma como a ferramenta é utilizada. O nível de vibração pode aumentar acima do nível indicado.

Quando avaliar a exposição da vibração para determinar as medidas de segurança exigidas pela Directiva 2002/44/CE para proteger pessoas que utilizem regularmente ferramentas eléctricas na sua actividade profissional, deve ser considerada uma estimativa de exposição de vibração, as condições reais de utilização e o modo de utilização da ferramenta, incluindo ainda todas as partes do ciclo de funcionamento, como os períodos de inactividade e espera da ferramenta, para além do tempo de funcionamento.

## Etiquetas colocadas na ferramenta

A ferramenta apresenta os seguintes símbolos de aviso juntamente com o código de data:



**Aviso!** Para reduzir o risco de ferimentos, o utilizador deve ler o manual de instruções.



**Aviso!** Para reduzir o risco de ferimentos, o utilizador deve usar protecção ocular e auricular.



Mantenha as mãos e as partes do corpo afastadas do ambiente de trabalho imediato.

## Instruções de segurança adicionais para baterias e carregadores

### Baterias

- ◆ Nunca tente abrir a bateria, seja qual for o motivo.
- ◆ Não exponha a bateria à água.
- ◆ Não armazene em locais onde a temperatura possa exceder os 40 °C.
- ◆ Carregue apenas a temperaturas ambiente entre 10 °C e 40 °C.
- ◆ Quando eliminar as baterias, siga as instruções indicadas na secção "Protecção do ambiente".
- ◆ Não danifique a bateria por perfuração ou impacto, pois poderá originar risco de ferimentos e incêndio.
- ◆ Não carregue baterias danificadas.
- ◆ Em condições extremas, pode ocorrer uma fuga nas baterias. Se detectar a fuga de líquido das baterias, limpe o líquido cuidadosamente com um pano. Evite o contacto com a pele.
- ◆ Em caso de contacto com a pele ou com os olhos, siga as instruções seguintes.

**Atenção!** O fluido da bateria pode causar ferimentos pessoais ou danos materiais. Em caso de contacto com a pele, enxágue imediatamente com água. Em caso de vermelhidão, dor ou irritação, contacte um médico. Em caso de contacto com os olhos, enxágue imediatamente com água limpa e procure ajuda médica.



Não tente carregar baterias danificadas

### Carregadores

- ◆ Utilize o carregador Stanley Fat Max apenas para carregar a bateria da ferramenta com a qual foi fornecida. Outras baterias podem rebentar, provocando ferimentos e danos.
- ◆ Nunca tente carregar baterias não recarregáveis.
- ◆ Substitua os cabos defeituosos imediatamente.
- ◆ Não exponha o carregador à água.
- ◆ Não abra o carregador.
- ◆ Não abra o carregador

### Símbolos no carregador



O carregador só deve ser utilizado em recintos fechados.



Antes da utilização, leia o manual de instruções.

### Segurança eléctrica



O seu adaptador tem isolamento duplo. Por esse motivo, não precisa de ligação à terra. Verifique sempre se a tensão de alimentação corresponde à tensão indicada na placa sinalética. Nunca tente substituir a unidade do adaptador por uma tomada de alimentação normal.

### Componentes

Este aparelho inclui algumas ou todas as seguintes características.

1. Botão de Gatilho
2. Interruptor de bloqueio de segurança do gatilho
3. Botão de ajuste da profundidade
4. Indicador de ajuste de profundidade
5. Indicadores luminosos/bateria fraca/encravamento/bloqueio
6. Alavanca anti-bloqueio
7. Patilha de desencravamento
8. Activador de contacto
9. Carregador
10. Patilha do impulsor
11. Gancho de correia
12. Libertação da patilha do impulsor

### Utilização

#### Carregar a bateria

A bateria deve ser carregada antes da primeira utilização e sempre que não conseguir produzir energia suficiente em trabalhos anteriormente feitos sem dificuldade.

A bateria pode aquecer durante o carregamento. Isto é normal e não indica um problema.

**Atenção!** Não carregue a bateria a temperaturas ambiente inferiores a 10 °C ou superiores a 40 °C. Temperatura de carregamento recomendada: aproximadamente 24 °C.

**Nota:** O carregador não irá carregar a bateria se a temperatura das células for inferior a 10 °C ou superior a 40 °C.

A bateria não deve ser retirada do carregador para que este comece a carregar automaticamente quando a temperatura das células aquecer ou arrefecer.

- ◆ Ligue o carregador numa tomada adequada antes de inserir a bateria.
- ◆ Insira a bateria no carregador.



O LED verde ficará a piscar, indicando que a bateria está a ser carregada.



A conclusão do processo de carregamento é LED verde, que permanece ligado de maneira contínua. A bateria fica totalmente carregada e pode ser utilizada nesta altura ou pode deixá-la no carregador.

**Atenção!** Recarregue as baterias descarregadas assim que possível após a utilização, caso contrário a duração da bateria pode diminuir consideravelmente.

### Diagnóstico do carregador

Este carregador foi concebido para detectar determinados problemas que possam surgir com baterias ou a fonte de alimentação. Os problemas são indicados pela iluminação de um LED intermitente com diferentes padrões.

### Problemas na bateria



O carregador permite detectar uma bateria fraca ou danificada. O LED vermelho pisca com o padrão indicado na etiqueta. Se aparecer este padrão intermitente de problemas na bateria, interrompa o carregamento da bateria. Entregue-a a um centro de assistência ou num local de recolha para reciclagem

### Retardação de calor/frio



Quando o carregador detecta que uma bateria está demasiado quente ou fria, inicia automaticamente a retardação de calor/frio, interrompendo o processo de carga até a bateria normalizar. Em seguida, o carregador muda automaticamente para o modo Carregar a bateria. Esta função assegura a duração máxima da bateria. O LED vermelho pisca no padrão indicado na etiqueta quando a retardação de calor/frio é detectada.

## Deixar a bateria no carregador

O carregador e a bateria podem permanecer ligados com o LED aceso indefinidamente. O carregador irá manter a bateria completamente carregada.

## Notas importantes sobre carregamento

- ◆ É possível aumentar a duração da bateria e obter o melhor desempenho se esta for carregada a uma temperatura ambiente que se situe entre os 18 ° e 24 °C. NÃO carregue a bateria se a temperatura ambiente for inferior a +4,5 °C ou superior a +40,5 °C. Este requisito é importante e impede danos graves na bateria.
- ◆ O carregador e a bateria podem ficar demasiado quentes durante o carregamento. Isto é normal e não representa um problema. Para facilitar o arrefecimento da bateria, evite colocar o carregador ou a bateria num local quente, como num barracão metálico ou num reboque não isolado.
- ◆ Se a bateria não carregar correctamente:
  - ◆ Verifique a corrente no receptáculo, ligando uma lâmpada ou outro aparelho
  - ◆ Verifique se o receptáculo está ligado a um comutador de iluminação que se desliga quando desliga as luzes.
  - ◆ Coloque o carregador e a bateria num local onde a bateria num local onde a temperatura do ar ambiente seja de aproximadamente 18 ° a 18 ° - 24 °C.
  - ◆ Se os problemas de carregamento persistirem, leve o aparelho, a bateria e o carregador para um centro de assistência local.
- ◆ A bateria deve ser recarregada se não fornecer energia suficiente durante trabalhos que tenham sido efectuados facilmente. NÃO CONTINUE a utilizar o aparelho nestas condições. Siga o procedimento de carregamento. Pode também carregar uma bateria parcialmente utilizada sempre que quiser, porque não afecta a bateria.
- ◆ Os materiais estranhos condutores como, por exemplo, mas não limitado a, lâ de aço, folha de alumínio ou qualquer acumulação de partículas metálicas devem ser removidos dos orifícios do carregador. Desligue sempre o carregador da fonte de alimentação quando não estiver inserida uma bateria no respectivo orifício. Desligue o carregador antes de proceder à limpeza.

- ◆ Não congele nem coloque o carregador dentro de água ou de outros líquidos.

**Atenção!** Perigo de choque. Não permita a entrada de líquidos no carregador. Nunca tente abrir a bateria, seja qual for o motivo.

Se a estrutura de plástico da bateria se partir ou rachar, envie o aparelho para um centro de assistência para reciclagem.

## Inserir e retirar a bateria do aparelho

**Atenção!** Certifique-se de que o botão de desbloqueio não está na posição correcta para impedir a activação accidental do interruptor de funcionamento, antes de retirar ou instalar a bateria.

## Instalar a bateria

Insira a bateria (A1) no aparelho até ouvir um som de encaixe (Figura A). Certifique-se de que a bateria está totalmente encaixada na posição.

## Retirar a bateria

Prima o botão de libertação da bateria (B1), como indicado na Figura B e retire a bateria do aparelho.

## Funcionamento

**Atenção!** Leia a secção intitulada Avisos de segurança da agrafadora no início deste manual. Utilize sempre protecção para os olhos e ouvidos quando utilizar esta ferramenta.

Nunca aponte a agrafadora na sua direcção ou de outras pessoas. Para um funcionamento seguro, efectue os seguintes procedimentos e verificações antes de cada utilização da agrafadora.

**Atenção!** Para reduzir o risco de ferimentos pessoais, desligue a bateria da ferramenta e accione o bloqueio de segurança do gatilho antes de efectuar qualquer trabalho de manutenção, retirar pregos encravados, sair do local de trabalho, transportar a ferramenta para outro local ou entregar a ferramenta a outra pessoa.

**Atenção!** Quando não fixar agrafos, mantenha os dedos AFASTADOS do gatilho para evitar um disparo accidental. Nunca transporte a ferramenta com o dedo no gatilho.

- ◆ Utilize protecções adequadas para os olhos, ouvidos e vias respiratórias.
- ◆ Retire a bateria da ferramenta e active o bloqueio de segurança do gatilho.
- ◆ Bloqueie o impulsor na posição recolhida e retire todos as tiras de pregos do cartucho.
- ◆ Verifique se o activador de contacto e os conjuntos de impulsores estão a funcionar correctamente. Não utilize a ferramenta se algum dos conjuntos não estiver a funcionar correctamente.
- ◆ Nunca utilize uma ferramenta com peças danificadas.

## Utilizar a agrafadora

**Atenção!** O activador de contacto tem de ser pressionado puxando o gatilho por completo para cada prego, seguido da libertação do activador de contacto e do gatilho depois de cada prego.

**Atenção!** A bateria deve ser sempre retirada e o bloqueio de segurança do gatilho engatado sempre que efectuar qualquer ajuste ou quando não utilizar a ferramenta.

- ◆ Pressione o activador de contacto por completo contra a superfície de trabalho.
- ◆ Puxe totalmente o gatilho para arrancar o motor. (o prego é fixado na superfície de trabalho).
- ◆ Liberte o gatilho.
- ◆ Levante o activador de contacto da superfície de trabalho.
- ◆ Repita os 4 passos indicados acima para a aplicação seguinte

## Preparar a ferramenta

**Atenção!** NUNCA utilize lubrificantes, óleo por pulverização ou solventes de limpeza no interior da ferramenta. Isto pode afectar gravemente a duração e o desempenho da ferramenta.

**Atenção!** A bateria deve ser sempre retirada e o bloqueio de segurança do gatilho engatado sempre que efectuar qualquer ajuste ou quando não utilizar a ferramenta.

- ◆ Leia a secção de Instruções de segurança deste manual.
- ◆ Use protecção ocular e auricular.
- ◆ Retire a bateria da ferramenta e carregue-a por completo.
- ◆ Certifique-se de que retira todos os agrafos do cartucho.
- ◆ Verifique se o activador de contacto e os conjuntos de impulsores estão a funcionar correctamente. Não utilize a ferramenta se algum dos conjuntos não estiver a funcionar correctamente.
- ◆ Nunca aponte a agrafadora na sua direcção ou de outras pessoas.
- ◆ Insira a bateria totalmente carregada.

## Carregar a ferramenta

**Atenção!** Nunca aponte a ferramenta na sua direcção ou de outras pessoas. Podem ocorrer lesões pessoais graves.

**Atenção!** Nunca coloque pregos com o activador de contacto ou o gatilho activados.

**Atenção!** Retire sempre a bateria antes de colocar ou retirar pregos.

**Atenção!** A bateria deve ser sempre retirada e o bloqueio de segurança do gatilho engatado sempre que efectuar qualquer ajuste ou quando não utilizar a ferramenta.

**Atenção!** Deve manter os dedos afastados do impulsor para evitar ferimentos.

- ◆ Insira os agrafos na parte inferior do cartucho (9).
- ◆ Puxe o impulsor (10) para baixo até o anel de aperto dos pregos (C1) ficar por trás dos pregos, como indicado na Figura C.

- ◆ Liberte o impulsor (10).

## Descarregar a ferramenta

**Atenção!** A bateria deve ser sempre retirada e o bloqueio de segurança do gatilho engatado sempre que efectuar qualquer ajuste ou quando não utilizar a ferramenta.

- ◆ Prima o botão de libertação da patilha do impulsor (12).
- ◆ Insira os pregos manualmente na parte inferior do cartucho (9).
- ◆ Abra o compartimento de desencravamento (7) na ponteira para certificar-se de que não existem pregos restantes.

## Ajustar a profundidade (Fig. D, E)

A profundidade de fixação dos agrafos pode ser ajustada com o botão de ajuste da profundidade (3) na parte lateral da ferramenta.

**Atenção!** Para reduzir o risco de ferimentos graves causados por activação accidental quando ajusta a profundidade, deve sempre:

- ◆ Retirar a bateria.
- ◆ Engatar o bloqueio de segurança do gatilho.
- ◆ Evitar o contacto com o gatilho durante os ajustes.

As regulações de profundidade estão indicadas numa régua deslizante (4). O lado esquerdo indica o lado mais profundo e o direito indica o menos profundo.

- ◆ Para fixar um prego mais fundo, rode o botão de ajuste da profundidade (3) para baixo. Isto permite deslizar o indicador de ajustamento da profundidade (4) para o lado esquerdo da régua.
- ◆ Para fixar um prego com menos profundidade, rode o botão de ajuste da profundidade (3) para cima. Isto permite deslizar o indicador de ajustamento da profundidade (4) para o lado direito da régua.

## Luzes de funcionamento (Fig. F)

Estão disponíveis luzes de funcionamento (5) em cada lado da agrafadora. As luzes de funcionamento acendem-se quando pressiona o activador de contacto.

**Nota:** Estas luzes de funcionamento permitem iluminar a superfície de trabalho imediata e não se destinam a ser utilizadas como lanternas.



## Indicador de bateria fraca:

As luzes de funcionamento começam a piscar e depois desligam-se por completo, indicando que a bateria está fraca.



### Indicador de pregos encravados:

As luzes de funcionamento começam a piscar de maneira contínua se um prego ficar encravado na ponteira (consulte Retirar um prego encravado).

### Desbloquear (Figura G)

**Atenção!** Se ocorrer um bloqueio, a ferramenta é desactivada e será necessário repô-la. Para fazê-lo, siga as instruções sobre como resolver uma situação de bloqueio. Em seguida, retire a bateria e volte a inseri-la. A ferramenta fica operacional. Se utilizar a agrafadora num local difícil, em que toda a energia disponível no motor seja utilizada para fixar um agrafado, a ferramenta pode ficar bloqueada.

A lâmina propulsora não concluiu o ciclo de transmissão e o indicador de encravamento/bloqueio começa a piscar. Rode a alavanca anti-bloqueio (6) na ferramenta e para desbloquear o mecanismo, como indicado na Figura G.

**Nota!** a ferramenta será desligada e só será reposta depois de retirar e voltar a colocar a pilha. Se a ferramenta continuar bloqueada, verifique o material e o agrafado para certificar-se de que não se trata de uma aplicação demasiado difícil. Se a lâmina

propulsora não voltar automaticamente para a posição inicial depois de rodar a alavanca anti-bloqueio, avance para o passo "Retirar um prego encravado".



### Retirar um prego encravado (Figura H)

**Atenção!** Para reduzir o risco de ferimentos, retire a bateria da ferramenta e engate o bloqueio de segurança do gatilho antes de efectuar qualquer tarefa de manutenção ou retirar um prego encravado.

Se um prego ficar encravado na ponteira, não aponte a ferramenta na sua direcção e siga estas instruções:

- ◆ Retire a bateria da ferramenta e active o bloqueio de segurança do gatilho.
- ◆ Rode a alavanca anti-bloqueio (6) na ferramenta para libertar a lâmina propulsora e retirar o prego encravado. Se a ferramenta permanecer encravada, siga os 9 passos indicados abaixo:
  - ◆ Puxe o impulsor para baixo até ficar bloqueado e depois incline a ferramenta para a frente para que os pregos deslizem livremente a partir da parte inferior do cartucho.

- ◆ Levante a patilha de desencravamento (7) e depois puxe-a para cima para abrir o compartimento dianteiro (14).
- ◆ Retire o prego dobrado, utilizando um alicante se necessário.
- ◆ Se a lâmina propulsora estiver virada para baixo, insira uma chave de fendas ou outro tipo de chave na ponteira e empurre a lâmina propulsora de novo para a posição pretendida.
- ◆ Feche o compartimento dianteiro e engate a peça de dobra de arame (13) debaixo dos dois braços (15) no activador de contacto. Empurre a patilha de desencravamento para baixo (7) até ficar bloqueada.
- ◆ Volte a inserir os pregos no cartucho (consulte Carregar a ferramenta).
- ◆ Puxe o impulsor (10) para baixo até o anel de aperto dos pregos (C1) ficar atrás dos pregos, como indicado na Figura C.
- ◆ Volte a inserir a bateria.
- ◆ Desengate o bloqueio de segurança do gatilho (2), para que este possa ser activado.

**Atenção!** Se ocorrer um encravamento, a ferramenta é desactivada e será necessário repô-la. Para fazê-lo, siga as instruções sobre como retirar um prego encravado. Em seguida, retire a bateria e volte a inseri-la. A ferramenta fica operacional.

**Nota!** Se os pregos continuarem a encravar com frequência no activador de contacto, envie a ferramenta para um centro de assistência autorizado da Stanley Fat Max.

### Funcionamento em tempo frio

Quando utilizar ferramentas em temperaturas negativas:

- ◆ Mantenha a ferramenta o mais quente possível antes de a utilizar.
- ◆ Experimente a ferramenta 5 ou 6 vezes num pedaço de madeira antes de a utilizar.

### Funcionamento em tempo quente

A ferramenta deve funcionar normalmente. No entanto, mantenha a ferramenta afastada de luz solar directa porque o excesso de calor pode deteriorar os amortecedores e outras peças de borracha, o que pode resultar numa manutenção mais prolongada.

### Gancho de correia (Fig. I-J)

**Atenção!** Retire os pregos do cartucho antes de efectuar quaisquer ajustes ou reparar esta ferramenta. Se não o fizer, poderão ocorrer ferimentos graves.

- ◆ Retire a bateria da ferramenta e active o bloqueio de segurança do gatilho.
- ◆ Com uma chave de fendas, retire o parafuso do orifício do gancho de fixação na base da ferramenta (16).

- ◆ Coloque na extremidade dianteira do gancho de fixação (11) no orifício da base da ferramenta (16) como indicado na Figura I.
- ◆ Prenda o gancho de fixação (11) com o parafuso fornecido (17) e aperte-o com firmeza com uma chave de fendas, como indicado na Figura J.
- ◆ Volte a colocar a bateria.

## Peças de substituição

**Atenção!** Para reduzir o risco de ferimentos, retire a bateria da ferramenta e engate o bloqueio de segurança do gatilho antes de efectuar qualquer tarefa de manutenção ou retirar um prego encravado.

A ferramenta está equipada com uma almofada de protecção na parte lateral do cartucho de pregos.

- ◆ Para substituir a almofada de protecção, basta retirá-la e voltar a instalar a nova almofada de protecção no activador de contacto.

Utilize apenas peças de substituição idênticas. Para obter uma lista das peças ou encomendá-las em [www.stanley.eu/3co.uk](http://www.stanley.eu/3co.uk).

Pode também encomendar as peças no seu Stanley Fat Max Centro de assistência de fábrica ou a garantia autorizada da Stanley Fat Max ou mais próximo.

## Resolução de problemas

Se achar que o aparelho não está a funcionar correctamente, respeite as instruções apresentadas em seguida.

Se não conseguir resolver o problema, contacte o agente local de reparação Stanley Fat Max.

**Atenção!** Antes de continuar, desligue o aparelho da tomada.

Problema	Causa possível	Solução possível
A unidade não é iniciada.	A bateria não pode ser montada correctamente.  A bateria não pode ser carregada.  O bloqueio de segurança do gatilho está engatado.	Verifique a instalação da bateria.  Verifique os requisitos para carregar a bateria.  Desengate o bloqueio de segurança do gatilho.
A ferramenta não funciona. (As luzes de funcionamento estão ligadas, o motor não arranca)	O motor deixa de funcionar após 2 segundos.	Funcionamento normal, liberte o gatilho ou o activador de contacto e volte a premi-lo.
A ferramenta não funciona. (As luzes de funcionamento começam a piscar)	A carga da bateria está fraca ou a bateria está danificada.	Carregue ou substitua a bateria.

Problema	Causa possível	Solução possível
A ferramenta não funciona. (As luzes de funcionamento piscam de maneira contínua)	Agrafó encravado/ ferramenta bloqueada.  Mecanismo encravado	Retire a bateria e rode a alavanca anti-bloqueio. Retire o agrafó encravado e volte a inserir a bateria.  Consulte o centro de assistência autorizado.
A ferramenta não funciona. (As luzes de funcionamento estão ligadas, o motor efectua o arranque, a lâmina propulsora ficou presa)		Consulte o centro de assistência autorizado.
A ferramenta funciona, mas não fixa o agrafó totalmente.	A carga da bateria está fraca ou a bateria está danificada.  O ajuste de profundidade é demasiado superficial.  A ferramenta não foi encostada com firmeza à peça.  O comprimento do material ou dos agrafos não é adequado para a aplicação pretendida.	Carregue ou substitua a bateria.  Gire a roda de ajuste da profundidade para uma regulação mais profunda.  Leia o manual de instruções.  Escolha material ou agrafos com comprimento adequado.

## Manutenção

O seu aparelho/ferramenta Stanley Fat Max com/sem fios foi concebido para funcionar durante um longo período de tempo com uma manutenção mínima. O funcionamento contínuo e satisfatório depende de uma manutenção adequada e limpeza regular da ferramenta/aparelho.

**Atenção!** Desligue e retire o aparelho da tomada antes de proceder à limpeza.

- ◆ A sujidade e a gordura podem ser retiradas do exterior do aparelho utilizando um pano.

**Atenção!** NUNCA utilize solventes ou outros produtos químicos abrasivos para limpar as partes não metálicas do aparelho. Estes químicos poderão enfraquecer os materiais utilizados nestas peças. Utilize um pano humedecido apenas com água e sabão suave. Nunca deixe nenhum líquido entrar na unidade; nunca mergulhe nenhuma peça da unidade em líquido.

**Atenção!** NUNCA utilize lubrificantes por pulverização ou por qualquer outro meio ou solventes de limpeza no interior da ferramenta. Isto pode afectar gravemente a duração e o desempenho da ferramenta.

## Notas sobre assistência

Este produto não inclui peças que possam ser reparadas pelo utilizador. A agrafadora não tem peças no interior que possam ser reparadas pelo utilizador. A reparação num centro de assistência autorizado é necessário para evitar danos em componentes internos sensíveis à electricidade estática.

## Protecção do ambiente



Faça uma recolha de lixo selectiva. Os produtos e as baterias assinaladas com este símbolo não devem ser eliminados juntamente com o lixo doméstico normal.

Os produtos e as baterias contêm materiais que podem ser recuperados ou reciclados, reduzindo assim a necessidade de matérias-primas.

Recicle os produtos eléctricos e as baterias de acordo com as disposições locais. Estão disponíveis mais informações em [www.2helpU.com](http://www.2helpU.com)

## Dados técnicos

		FMC792B Tipo:2
Tensão	V <sub>CC</sub>	18
Tipo de bateria		lões de lítio
Modo de actuação		Apenas
Ângulo do carregador		Recto
Velocidade sem carga	rpm	9100
Energia de propulsão	aprox.	60 J
Peso (ferramenta descoberto)	kg	2,6

Agrafos		
Comprimento	mm	25 - 64
Diâmetro da haste	mm	1,6
Ângulo		Recto

Carregador		90608625
Tensão de entrada	V <sub>CA</sub>	230
Voltagem de saída	V <sub>CC</sub>	18
Corrente	Ah	2,0
Tempo de carga aprox.		1 h (2,0 Ah) 2 h (4,0 Ah)
Peso (carregador descoberto)	kg	0,45

Bateria		FMC687L	FMC688L
Tensão	V <sub>CA</sub>	18	18
Capacidade	Ah	2.0ah	4.0ah
Peso	kg	0,35	0,67

Bateria		FMC687L	FMC688L
Tipo		lões de lítio	lões de lítio

Nível de pressão acústica de acordo com a EN 60745 - 1:
Pressão acústica (L <sub>pA</sub> ) 87 dB(A), imprecisão (K) 1,5 dB(A)
Potência acústica (L <sub>WA</sub> ) 92 dB(A), imprecisão (K) 2,5 dB(A)

Valores totais de vibração (soma vectores triax) de acordo com a EN 60745 - 2 - 16:
Apertar pregos (a <sub>v</sub> ) 1,8 m/s <sup>2</sup> , imprecisão (K) 1,8 m/s <sup>2</sup>

## Declaração de conformidade CE

DIRECTIVA "MÁQUINAS"



FMC792B - Agrafadora sem pregos  
A Stanley Fat Max declara que os produtos descritos em "dados técnicos" estão em conformidade com as seguintes normas:

EN60745-1: 2009 +A11:2010,

EN 60745 - 2 -16:2010

Estes produtos estão também em conformidade com as Directivas 2004/108/CE (at 19/04/2016), 2014/30/UE (a partir de 20/04/2016), 2006/42/EC e 2011/65/UE.

Para obter mais informações, contacte a Stanley Fat Max na morada indicada ou consulte o verso do manual.

O abaixo assinado é responsável pela compilação do ficheiro técnico e faz esta declaração em nome da Stanley Fat Max.

R. Laverick  
Director de Engenharia  
Stanley Fat Max,  
210 Bath Road, Slough,  
Berkshire, SL1 3YD  
Reino Unido  
11/01/2016



## Garantia

A Stanley Fat Max confia na qualidade dos seus produtos e oferece aos clientes uma garantia de 12 meses a partir da data de compra. Esta garantia é um complemento dos seus direitos estabelecidos por lei, não os prejudicando de forma alguma. A garantia é válida nos Estados-membros da União Europeia e nos países-membros da Zona Europeia de Comércio Livre.

Para accionar a garantia, esta deve estar em conformidade com os termos e condições da Stanley Fat Max e terá de apresentar comprovativos de compra ao vendedor ou a um agente de reparação autorizado. Os termos e condições da garantia de 1 ano da Stanley Fat Max e a localização do agente de reparação autorizado mais próximo pode ser obtido na Internet em [www.2helpU.com](http://www.2helpU.com) ou contactando uma filial da Stanley Fat Max.

Visite o nosso Website [www.stanley.eu/3co.uk](http://www.stanley.eu/3co.uk) para efectuar o registo o seu novo produto Stanley Fat Max e receber actualizações sobre novos produtos e ofertas especiais.

## Avsedd användning

Din Stanley Fat Max FMC792B sladdlösa spikpistol har designats för spikning. Apparaten är avsedd för såväl yrkesanvändare som privatkonsumenter.

## Säkerhetsinstruktioner

### Allmänna säkerhetsanvisningar för elverktyg



**Varning! Läs alla säkerhetsvarningar och instruktioner.** Fel som uppstår till följd av att varningarna och instruktionerna som listas nedan inte följts kan orsaka elstötar, brand och/eller allvariga kroppsskador.

**Spara alla säkerhetsföreskrifter och anvisningar för framtida bruk.** Begreppet "Elverktyg" i alla varningar som listas nedan avser nätdrivna elverktyg (med nätsladd) och batteridrivna elverktyg (sladdlösa).

1. **Säkerhet på arbetsområdet**
  - a. **Se till att arbetsområdet är rent och väl belyst.** Stökiga eller mörka områden inbjuder till olyckor.
  - b. **Använd inte elverktyget i explosionsfarlig omgivning, t.ex. i närheten av brännbara vätskor, gaser eller damm.** Elverktyg ger upphov till gnistor som kan antända damm eller ångor.
  - c. **Håll barn och andra obehöriga personer på avstånd vid arbete med elverktyget.** Distractioner kan göra att du förlorar kontrollen.
2. **Elsäkerhet**
  - a. **Elverktygets stickkontakt måste passa i eluttaget. Modifiera aldrig kontakten på något sätt. Använd inga adapterkontakter med jordanslutna (jordade) elektriska verktyg.** Icke modifierade kontakter och passande uttag minskar risken för elektrisk stöt.
  - b. **Undvik kroppskontakt med jordade ytor, t.ex. rör, värmelement, spisar och kylskåp.** Det finns en ökad risk för elektrisk stöt om din kropp är jordansluten eller jordad.
  - c. **Skydda elverktyget mot regn och väta.** Vatten som kommer in i ett elverktyg ökar risken för elektrisk stöt.
  - d. **Hantera nätsladden varsamt. Använd aldrig sladden för att bära, dra eller koppla bort elverktyget från uttaget. Håll sladden borta från värme, olja, skarpa kanter eller rörliga delar.** Skadade eller tilltrasslade sladdar ökar risken för elektrisk stöt.
  - e. **Använd endast förlängningssladdar som är godkända för utomhusbruk när du arbetar med elverktyg utomhus.** Att använda en sladd som lämpar sig för utomhusanvändning minskar risken för elektrisk stöt.

- f. **Om du måste använda ett elverktyg på en fuktig plats, bör du använda en strömförsörjning med jordfelsbrytare.** Att använda en jordfelsbrytare minskar risken för elektrisk stöt.
3. **Personlig säkerhet**
- a. **Var uppmärksam, fokusera på det du gör och använd elverktyget med förnuft.** Använd inte ett elverktyg när du är trött eller påverkad av droger, alkohol eller mediciner. Ett ögonblicks ouppmärksamhet när du arbetar med elektriska verktyg kan leda till allvarliga personskador.
- b. **Använd personlig skyddsutrustning. Använd alltid skyddsglasögon.** Skyddsutrustning såsom dammmask, halkfria säkerhetsskor, skyddshjälm eller hörselskydd som används för lämpliga förhållanden minskar personskador.
- c. **Undvik oavsiktlig start. Kontrollera att strömbrytaren står i avstängt läge innan du ansluter verktyget till elnätet eller sätter i batteriet, samt innan du tar upp eller bär verktyget.** Att bära elektriska verktyg med fingret på strömbrytaren eller att koppla strömmen till elektriska verktyg när strömbrytaren är på leder till olyckor.
- d. **Ta bort alla inställningsverktyg och skruvnycklar innan du startar elverktyget.** Ett verktyg eller en nyckel i en roterande komponent kan orsaka kroppsskada.
- e. **Sträck dig inte för mycket. Ha ordentligt fotfäste och balans hela tiden.** Detta möjliggör bättre kontroll av elverktyget i oväntade situationer.
- f. **Bär lämpliga kläder. Bär inte lösa kläder eller smycken. Håll hår, beklädnad och handskar borta från delar i rörelse.** Lösa kläder, smycken eller långt hår kan fastna i rörliga delar.
- g. **Om elverktyget har dammuppsugnings- och uppsamlingsutrustning kontrollerar du att den är monterad och används på korrekt sätt.** Användning av dammuppsamling kan minska dammrelaterade risker.
4. **Användning och skötsel av elverktyg**
- a. **Överbelasta inte elverktyget. Använd rätt elverktyg för ditt arbete.** Det korrekta elverktyget gör arbetet bättre och säkrare vid den hastighet för vilket det konstruerades.
- b. **Använd inte elverktyget om det inte kan startas och stängas av med strömbrytaren.** Ett elverktyg som inte kan kontrolleras med strömbrytaren är farligt och måste repareras.
- c. **Dra stickproppen ur vägguttaget och/eller ta ut batteriet ur elverktyget innan inställningar görs, byte av tillbehör görs eller elverktyget ställs undan.** Sådana förebyggande säkerhetsåtgärder minskar risken att oavsiktligt starta elverktyget.
- d. **Förvara elverktyg utom räckhåll för barn och låt inte personer som är ovana vid elverktyget eller som inte läst denna bruksanvisning använda det.**
- Elektriska verktyg är farliga i händerna på ovana användare.
- e. **Underhålla elverktyg. Kontrollera att rörliga komponenter fungerar felfritt och inte kärvar, att komponenter inte gått sönder eller skadats och inget annat föreligger som kan påverka elverktygets funktion. Om det är skadat, se till att elverktyget blir reparerat före användningen.** Många olyckor orsakas av dåligt underhållna elektriska verktyg.
- f. **Håll skärverktyg skarpa och rena.** Ordentligt underhållna kapverktyg med vassa skärtyr fastnar inte så lätt och är lättare att kontrollera.
- g. **Använd elverktyg, tillbehör, bits m.m. enligt dessa anvisningar, samtidigt som arbetsförhållandena och det arbete som ska utföras beaktas.** Att använda elverktyget för något annat än det som det är avsett för, kan leda till en riskfylld situation.
5. **Användning och skötsel av batteridrivet verktyg**
- a. **Ladda endast med den laddare som är specificerad av tillverkaren.** En laddare som passar en batterityp kan medföra brandrisk om den används ihop med ett annat batteri.
- b. **Använd endast de batteripaket som är speciellt avsedda för elverktyget.** Användning av andra batteripaket kan leda till personskador eller eldsvåda.
- c. **När batteriet inte används ska du hålla det åtskilt från metallföremål som gem, mynt, nycklar, spik, skruvar och andra små metallföremål som kan orsaka kortslutning mellan batteriets poler.** Kortslutning av batteripolerna kan leda till brännskador eller eldsvåda.
- d. **Under olämpliga förhållanden kan vätska spruta ut från batteriet. Undvik kontakt. Vid oavsiktlig kontakt, spola med vatten. Om vätskan kommer i kontakt med ögonen, sök också läkarhjälp.** Vätska som sprutar ur batteriet kan orsaka sveda och brännskador.
6. **Service**
- a. **Låt en kvalificerad reparatör som bara använder originaldelar utföra service på elverktyget.** Detta säkerställer att elverktygets säkerhet bibehålls.
- Ytterligare säkerhetsanvisningar för elverktyg**
- ◆ **Använd de extra handtag som följer med verktyget. Tappad kontroll kan orsaka personskador.**
  - ◆ **Håll verktyget i de isolerade greppytorna vid arbete där det skärande tillbehöret riskerar att komma i kontakt med dolda elledningar.** Kaptillbehör som kommer i kontakt med en strömförande ledning kan göra att exponerade metalldelar hos elverktyget blir strömförande och kan ge användaren en elektrisk stöt.

- ◆ **Håll verktyget i de isolerade greppytorna vid arbete där fästnanordningen riskerar att komma i kontakt med dolda elledningar.** Fästdon som kommer i kontakt med en strömförande ledning kan göra att exponerade metalldelar hos elverktyget blir strömförande och kan ge användaren en elektrisk stöt.
- ◆ **Använd skruvtvingar eller något annat praktiskt sätt att fästa och stödja arbetsstycket mot ett stabilt underlag.** Att hålla arbetet för hand eller mot kroppen är instabilt och kan göra att du förlorar kontrollen.
- ◆ Innan du borrar i väggar, golv eller tak ska du kontrollera var rör eller elledningar finns.
- ◆ Undvik att vidröra spetsen på en borr precis efter borring, eftersom den kan vara het.
- ◆ Den avsedda användningen beskrivs i denna bruksanvisning. Om andra tillbehör eller tillsatser används, eller om någon annan verksamhet än den som rekommenderas i den här bruksanvisningen genomförs med verktyget, kan personer och/eller egendom ta skada.

## Andras säkerhet

- ◆ Låt aldrig barn, personer med reducerad sensorisk eller mental kapacitet eller utan erfarenhet eller kunskap eller personer som är obekant med dessa instruktioner använda maskinen,
- ◆ det kan finnas lokala bestämmelser om åldersgräns för användaren.
- ◆ Använd inte maskinen i närheten av andra människor (främst barn) eller husdjur.

## Ytterligare säkerhetsinstruktioner för sladdlösa spikpistoler

- ◆ Bär alltid skyddsglasögon.
- ◆ Bär alltid hörselskydd.
- ◆ Använd endast fästdon av den typ som specificerats i manualen.
- ◆ Använd inga ställningar för montering av mot ett stöd.
- ◆ Demontera inte eller blockera någon del av spikpistolen såsom kontaktremsan.
- ◆ Kontrollera före varje användning att säkerheten och avtryckarmekanismen fungerar korrekt och att alla muttrar och skruvar är åtdragna.
- ◆ Använd inte verktyget som hammare.
- ◆ Använd inte verktyget på en steg.
- ◆ Peka aldrig med en spikpistol under drift mot dig själv eller mot någon annan person.
- ◆ Under arbetet, håll verktyget på ett sådant sätt att inga skador kan uppstå mot huvudet eller kroppen vid en eventuell rekyl på grund av strömavbrott eller hårda delar på arbetsstycket.
- ◆ Aktivera aldrig fästverktyget på en fri yta.

- ◆ På arbetsplatsen, bär endast verktyget i ena handtaget och aldrig med avtryckaren aktiverad.
- ◆ Se över arbetsförhållandena på arbetsplatsen, fästdon kan penetrera tunna material eller halka av hörn och kanter på arbetsstycket och utsätta personer i närheten för risker.
- ◆ Fäst inga fästdon nära kanterna på arbetsstycket.
- ◆ Fäst inga fästdon ovanpå andra fästdon.
- ◆ Utgå alltid från att verktyget innehåller fästdon. Oförsiktig hantering av spikpistolen kan resultera i oväntad avtryckning av fästdon och personskador.
- ◆ Rikta inte verktyget mot dig själv eller mot personer i närheten. Oväntad avtryckning kommer att avlossa spikpistolen och orsaka skador.
- ◆ Använd inte verktyget om det inte ligger en ordentligt mot arbetsstycket. Om verktyget inte har full kontakt med arbetsstycket kan fästdonet hamna fel.
- ◆ Koppla bort verktyget från strömkällan om fästdonet fastnar i verktyget. När ett fästdon som fastnat tas bort kan spikpistolen oavsiktligt aktiveras om den är inkopplad.
- ◆ Använd inte den här spikpistolen för att fästa elkablar. Den är inte gjord för installation av elkablar och kan skada isoleringen på elkablarna och därigenom orsaka elektriska stötar eller eldsvåda.

## Återstående risker

Ytterligare risker som inte finns med i de bifogade säkerhetsanvisningarna kan uppstå när verktyget används. Dessa risker kan uppstå vid felaktig eller långvarig användning, etc.

Även om alla relevanta säkerhetsanvisningar följs och säkerhetsanordningar används kan vissa ytterligare risker inte undvikas. Dessa omfattar:

- ◆ Skador orsakade av att roterande/rörliga delar vidrörs.
- ◆ Skador som uppstår vid byte av delar, blad eller tillbehör.
- ◆ Skador som orsakas av långvarig användning av ett verktyg. Se till att regelbundet ta vilopausar när du använder ett verktyg under en längre period.
- ◆ Nedsatt hörsel.
- ◆ Hälsorisker till följd av inandning av damm när redskapet används (exempel: arbete med trämaterial, särskilt ek, bok och MDF)

## Vibration

De vibrationsvärden som anges i avsnitten tekniska data och deklarationen om överensstämmelse har uppmätts i enlighet med en standardtestmetod föreskriven i EN50636 och kan användas för jämförelse med andra verktyg. Det angivna vibrationsvärdet kan även användas för en preliminär bedömning av exponeringen.

**Varning!** Vibrationsvärdet under faktisk användning av elverktyget kan skilja sig från det uppgivna värdet beroende på hur verktyget används.

Vibrationsnivån kan överstiga den uppgivna nivån.

Vid uppskattningar av exponering för vibrationer i syfte att bedöma vilka säkerhetsåtgärder som är nödvändiga enligt 2002/44/EG för att skydda personer som regelbundet använder elverktyg i arbetet ska man utgå från de faktiska omständigheter under vilka elverktyget används och sättet på vilket det används. Bedömningen ska även ta hänsyn till alla moment i arbetscykeln, t.ex. när verktyget är avstängt och när det går på tomgång såväl som när det faktiskt används.

## Etiketter på verktyget

Följande varningssymboler finns på verktyget, tillsammans med datumkoden:



**Varning!** För att minska risken för skador måste användaren läsa bruksanvisningen.



**Varning!** För att minska risken för skador måste användaren använda hörselskydd och skyddsglasögon.



Håll händer och kroppsdelar borta från det direkta arbetsområdet.

## Ytterligare säkerhetsinstruktioner för batterier och laddare

### Batterier

- ◆ Försök aldrig öppna av någon orsak.
- ◆ Utsätt inte batteriet för vatten.
- ◆ Förvara inte på platser där temperaturen kan bli högre än 40 °C.
- ◆ Ladda endast vid omgivande temperaturer på mellan 10 °C och 40 °C.
- ◆ Följ instruktionerna i avsnittet "Skydda miljön" när du gör dig av med batterier.
- ◆ Skada/deformera inte batteripaketet varken genom att punktera det eller utsätta det för slag, eftersom detta kan leda till risk för personskador och brand.
- ◆ Ladda inte skadade batterier.
- ◆ Under extrema förhållanden kan batterierna läcka. Om det finns vätska på batterierna ska du torka bort vätskan försiktigt med en trasa. Undvik hudkontakt.
- ◆ Vid kontakt med hud eller ögon, följ instruktionerna nedan.

**Varning!** Batterivätskan kan orsaka person- eller materialskador. Vid hudkontakt, skölj genast med vatten. Vid rodnader, smärta eller irritation ska läkare uppsökas. Vid kontakt med ögon, skölj genast med rent vatten och uppsök läkare.



Försök inte ladda skadade batterier

### Laddare

- ◆ Använd endast Stanley Fat Max laddare för att ladda batteriet i verktyget och som medföljde verktyget. Andra batterier kan spricka och orsaka personskador och andra skador.
- ◆ Försök aldrig ladda batterier som inte är uppladdningsbara.
- ◆ Se till att defekta sladdar byts ut omedelbart.
- ◆ Utsätt inte laddaren för vatten.
- ◆ Öppna inte laddaren.
- ◆ Gör ingen åverkan på laddaren

### Symboler på laddaren



Laddaren är endast avsedd för inomhusanvändning.



Läs bruksanvisningen före användning.

### Elsäkerhet



Eftersom adaptern är dubbelisolerad behövs ingen jordledare. Kontrollera alltid att nätspänningen överensstämmer med värdet på typskylten. Försök aldrig byta ut adaptern mot en vanlig nätkontakt.

### Funktioner

Denna apparat har några eller samtliga av följande funktioner.

1. Strömbrytare
2. Avtryckare läsomkopplare
3. Djupinställningsratt
4. Djupjusteringsindikator
5. Indikator arbetsbelysning/lågt batteri /klämning/stopp
6. Stoppfrigöringsspak
7. Rensningsspärr klämning
8. Kontakttunga
9. Magasin
10. Inmatarspärr
11. Bälteskrok
12. Inmatarspärr frigöring

### Användning

#### Laddning av batteriet

Batteriet måste laddas innan det används för första gången samt varje gång det inte ger tillräckligt hög effekt för arbeten som tidigare klarades av. Batteriet kan bli varmt när det laddas. Det är normalt och innebär inte att något är fel.

**Varning!** Ladda inte batteriet om temperaturen i luften är lägre än 10 °C eller högre än 40 °C. Den rekommenderade laddningstemperaturen är cirka 24 °C.

**Notera:** Laddaren laddar inte batteriet om celltemperaturen är lägre än ungefär 10 °C eller högre än 40 °C.

Batteriet får då sitta kvar i laddaren, som kommer att börja laddningen automatiskt när celltemperaturen har stigit eller sjunkit.

- ◆ Anslut laddaren till ett lämpligt uttag innan batteripaketet sätts i.
- ◆ Sätt i batteripaketet i laddaren.



Den gröna LED:n blinkar, vilket indikerar att batteriet laddas.



När laddningen är klar indikeras detta av att den gröna LED:n lyser kontinuerligt. Batteriet är fulladdat och kan nu användas eller lämnas i laddaren

**Varning!** Ladda urladdade batterier så snart som möjligt efter användning, i annat fall kan batterilivslängden minska betydligt.

### Laddardiagnostik

Denna laddare är designad att upptäcka vissa problem som kan uppstå med batteripaketet eller strömkällan. Problemen indikeras av en LED-blinkning i olika mönster.

### Dåligt batteri



Laddaren kan upptäcka ett svagt eller skadat batteri. Den röda LED blinkar i mönstret som anges på etiketten. Om du ser detta blinkmönster för dåligt batteri, fortsätt då inte att ladda batteriet. Returnera det till ett servicecenter eller lämna det till batteriinsamlingen

### Varm/kall fördröjning



När laddaren upptäcker ett batteri som är överdrivet hett eller överdrivet kallt, kommer den automatiskt att starta en varm/kall fördröjning och avbryta laddningen tills batteriet har nått en lämplig temperatur. När detta sker växlar laddaren automatiskt till paketladdningsläget. Denna funktion garanterar maximal batterilivslängd. Den röda LED blinkar i mönstret som anges på etiketten när den heta/kalla paketfördröjningen upptäcks.

### Lämna batteriet i laddaren

Batteriet kan sitta kvar i laddaren och laddaren kan vara ansluten till vägguttaget hur länge som helst när indikatorn lyser. Laddaren ser till att batteriet hålls fräscht och fulladdat.

### Viktiga anmärkningar gällande laddning

- ◆ Längsta livslängd och bäst prestanda erhålls om batteripaketet laddas när lufttemperaturen är mellan 18- 24 °C. Ladda INTE batteripaketet i en lufttemperatur under +4,5 °C eller över +40,5 °C. Detta är viktigt och kommer att förhindra allvarliga skador på batteripaketet.
- ◆ Laddaren och batteripaketet kan kännas varma under laddningen. Detta är normalt och indikerar inte något problem. För att möjliggöra kylning av batteripaketet, undvik att placera laddaren eller batteripaketet på en varm plats såsom i ett metallskjul eller i en oisolerad vagn
- ◆ Om batteripaketet inte laddas korrekt:
  - ◆ Kontrollera strömmen i uttaget genom att ansluta en lampa eller någon annan apparat
  - ◆ Kontrollera om uttaget är anslutet till en strömbrytare som stänger av strömmen när du släcker ljuset.
  - ◆ Flytta laddaren och batteripaketet till en plats där den omgivande temperaturen är ungefär 18 - 24 °C.
  - ◆ Om laddningsproblemen kvarstår, lämna apparaten, batteripaketet och laddaren till ditt lokala servicecenter.
- ◆ Batteripaketet måste laddas när de inte längre kan producera tillräckligt med energi för ett arbete som det problemöst klarade av tidigare. FORTSÄTT INTE att använda det under dessa förhållanden. Följ laddningsproceduren. Du kan också ladda ett delvis använt paket när du så önskar utan att det har någon negativ effekt på batteripaketet.
- ◆ Främmande, ledande material såsom, men inte begränsat till, stålull, aluminiumfolie eller ansamlingar av metallpartiklar bör hållas borta från laddningsfacket. Koppla alltid ifrån laddaren från eluttaget när det inte finns något batteripaket i facket. Koppla ifrån laddaren vid rengöring.
- ◆ Frys inte och doppa inte laddaren i vatten eller annan vätska.

**Varning!** Risk för stötar. Låt ingen vätska komma in i laddaren. Försök aldrig att öppna batteripaketet av någon anledning. Om plasthöljet på batteripaketet går sönder eller spricker, lämna det till ett servicecenter för återvinning.

## Montering och borttagning av batteripaketet från verktyget

**Varning!** Innan du sätter i eller tar ut batterierna ska du kontrollera att låsreglaget är i låst läge, så att du inte råkar slå på verktyget av misstag.

## Installera batteripaketet

Sätt in batteriet (A1) i apparaten tills ett ljudligt klick hörs (bild A). Se till att batteripaketet sitter helt på plats och är låst i positionen.

## Ta bort batteripaketet

Tryck ned batterilåsknappen (B1) såsom det visas i bild B och dra ut batteripaketet ur apparaten.

## Drift

**Varning!** Läs igenom sektionen med titeln "Säkerhetsvarningar spikpistol" i början av denna manual. Bär alltid ögon- och hörselskydd när du använder verktyget.

Håll spikpistolen riktad bort från dig och andra personer. För säker hantering, fullfölj följande procedurer och kontroller innan spikpistolen används.

**Varning!** För att minska risken för personskador, koppla ifrån batteripaketet från verktyget och lås avtryckaren innan underhåll utförs. Borttagning av spik som fastnat, arbetsområdet lämnas, verktyget flyttas till annan plats eller verktyget överlämnas till en annan person.

**Varning!** Håll fingrarna BORTA från avtryckaren när fästdon inte drivs för att undvika oavsiktlig avfyrning. Bär aldrig verktyget med fingret på avtryckaren.

- ◆ Använd alltid lämpliga skyddsglasögon och andningskydd.
- ◆ Ta bort batteripaketet från verktyget och aktivera säkerhetslåset för avtryckaren.
- ◆ Lås avtryckaren i backposition och ta bort alla spikremсор från magasinet.
- ◆ Kontrollera att det är smidig drift av kontaktremsan och avtryckarmontaget. Använd inte verktyget om något av montagen inte fungerar korrekt.
- ◆ Använd aldrig ett verktyg som har skadade delar.

## Användning av spikpistolen

**Varning!** Kontaktremsan behöver tryckas ned följt av full intryckning av avtryckaren för varje spik följt av att kontaktremsan och avtryckaren släpps efter varje spik.

**Varning!** Batteriet skall alltid tas bort och avtryckarens lås aktiveras när några justeringar görs eller nät verktyget inte används.

- ◆ Tryck ned kontaktremsan helt mot arbetsstycket.
- ◆ Tryck in avtryckaren helt och motorn startar. (spiken drivs in i arbetsytan).
- ◆ Släpp avtryckaren.
- ◆ Lyft bort kontaktremsan från arbetsytan.

- ◆ Upprepa ovanstående fyra steg för nästa arbetsmoment

## Förbereda verktyget

**Varning!** Spreja ALDRIG eller använd på annat sätt smörjmedel eller rengöringsmedel inuti verktyget. Detta kan allvarligt påverka verktygets livslängd och prestanda.

**Varning!** Batteriet skall alltid tas bort och avtryckarens lås aktiveras när några justeringar görs eller nät verktyget inte används.

- ◆ Läs igenom säkerhetsinstruktionerna i denna manual.
- ◆ Använd ögon- och hörselskydd.
- ◆ Ta bort batteriet från verktyget och laddat det fullt.
- ◆ Se till att magasinet är tomt på fästdon.
- ◆ Kontrollera att det är smidig drift av kontaktremsan och avtryckarmontaget.  
Använd inte verktyget om något av montagen inte fungerar korrekt.
- ◆ Håll verktyget riktad bort från dig och andra personer.
- ◆ Sätt i fulladdat batteripaket.

## Ladda verktyget

**Varning!** Håll verktyget riktad bort från dig och andra personer. Personskador kan uppstå.

**Varning!** Ladda aldrig spikar med kontaktremsan eller avtryckaren aktiverad.

**Varning!** Ta alltid bort batteripaketet vid laddning och urladdning av spikar.

**Varning!** Batteriet skall alltid tas bort och avtryckarens lås aktiveras när några justeringar görs eller nät verktyget inte används.

**Varning!** Håll fingrarna borta från avtryckaren för att förhindra olyckor.

- ◆ Sätt i fästdon i botten av magasinet (9).
- ◆ Tryck ned avtryckaren (10) tills spikföljaren (C1) faller bakom spikarna såsom visas i bild C.
- ◆ Släpp avtryckaren (10).

## Tömma verktyget

**Varning!** Batteriet skall alltid tas bort och avtryckarens lås aktiveras när några justeringar görs eller nät verktyget inte används.

- ◆ Tryck på avtryckarens låsknapp (12).
- ◆ Skjut manuellt spikarna mot botten av magasinet (9).
- ◆ Öppna luckan för fastnade spikar (7) i nosdelen för att verifiera att det inte finns några spikar kvar.

## Djupinställning (bild D och E)

Djupet som spikarna drivs i kan ställas in med djupinställningsratten(3) på sidan av verktyget.

**Varning!** För att minska risken för allvarliga skador från oavsiktlig aktivering vid inställning av djupet, gör Alltid detta:

- ◆ Ta bort batteripaketet.

- ◆ Aktivera avtryckarlåset.
- ◆ Undvik kontakt med avtryckaren under inställningarna.

Djupinställningarna finns på en glidskala (4). Den vänstra sidan indikerar det djupaste och den högra sidan den minst djupa.

- ◆ För att driva en spik djupare, vrid på inställningshjulet (3) nedåt. Detta kommer att skjuta djupinställningsindikatorn (4) åt vänster på skalan.
- ◆ För att driva en spik mindre djupt, vrid djupinställningsraten (3) uppåt. Detta kommer att skjuta djupinställningsindikatorn (4) åt höger på skalan.

## Arbetsbelysning (bild F)

Det finns arbetsbelysning (5) placerade på var sida av spikpistolen.

Arbetsbelysningen slås på genom att trycka ned kontaktremsan.

**Notera:** Dessa arbetsbelysningar är till för att belysa det omedelbara arbetsområdet och är inte avsedd att användas som ficklampa.



## Indikator lågt batteri:

Arbetsbelysningen kommer att blinka och sedan stängas av helt för att indikera svagt batteri.



## Indikator fastnad spik:

Arbetsbelysningen kommer att blinka kontinuerligt om en spik fastnar i nosdelen (se Rensa en fastnad spik).

## Stoppfrigöring (bild G)

**Varning!** Om ett stopp uppstår, kommer verktyget att avaktivera sig självt och kommer att kräva att du återställer det. För att göra detta, följ instruktionerna om rensning vid fastnad spik. Ta därefter bort batteripaketet och sätt tillbaka det. Verktyget kommer nu att vara operativt. Om spikpistolen används under hårda förhållanden där all tillgänglig energi i motorn används för att driva ett fästdon kan motorn stoppa. Drivarbladet fullföljde inte drivarcykeln och fastna/stoppindikatorn (e) blinkar. Vrid på stoppfrigöringsspaken (6) på verktyget och mekanismen kommer att lossna såsom visas i bild G.

**Notera!** Verktyget kommer att avaktivera sig självt och inte återställas innan batteripaketet tagits bort och satts tillbaka. Om enheten fortsätter att stoppa granska materialet och

fästdonet längd för att vara säker på att användningen inte är för hård. Om drivarbladet inte automatiskt återgår till startpositionen efter vridning på stoppfrigöringsspaken, fortsätt till "rensa en spik som fastnat".



## Rensa spik som fastnat (bild H)

**Varning!** För att minska risken för personskador skall batteripaketet kopplas ifrån verktyget och avtryckarlåset aktiveras innan underhåll utförs eller fastnad spik tas bort.

Om en spik fastnar i nosdelen, håll verktyget riktat bort från dig och följ dessa instruktioner för att rensa:

- ◆ Ta bort batteripaketet från verktyget och aktivera säkerhetslåset för avtryckaren.



- ◆ Vrid stoppfrigöringsspaken (6) på verktyget för att lossa drivarbladet och rensa det som fastnat. Om det fortfarande sitter fast, följ den nio stegen som listas nedan:
  - ◆ Skjut avtryckaren nedåt till den låses på plats, luta sedan verktyget så att spiken glider fritt ut från botten på magasinet.



- ◆ Lyft på stoppensningsspaken (7) dra sedan upp för att öppna främre luckan (14).
- ◆ Ta bort böjd spik, använd en tång om så behövs.
- ◆ Om drivarbladet är i sitt nedre läge, stick in en skruvmejsel i nosstycket och tryck tillbaka drivarbladet i rätt position.
- ◆ Stäng främre luckan och aktivera trådformen (13) under de två armarna (15) på kontaktremsan. Skjut stoppensningsspaken ned (7) tills den låses på plats.
- ◆ Sätt tillbaka spikarna i magasinet (se Ladda verktyget).
- ◆ Dra avtryckaren (10) nedåt till spikföljaren (C1) faller bakom spikarna såsom visas i bild C.
- ◆ Sätt tillbaka batteripaketet.
- ◆ Lås upp avtryckarlåset (2) vilket gör att avtryckaren aktiveras.

**Varning!** Om ett stopp uppstår, kommer verktyget att avaktivera sig självt och det krävs att du återställer det. För att göra detta, följ instruktionerna om rensning vid fastnad spik. Ta därefter bort batteripaketet och sätt tillbaka det. Verktyget kommer nu att vara operativt.

**Notera!** Fortsätter spikar att fastna regelbundet i kontaktremsan, lämna verktyget hos ett auktoriserat Stanley Fat Max servicecenter för service.

## Användning i kallt väder

När verktyget används vid temperaturer under fryspunkten:

- ◆ Håll verktyget så varmt som möjligt före användning.
- ◆ Aktivera verktyget fem till sex gånger i restråbitar innan användning.

## Användning i varmt väder

Verktyget bör arbeta normalt. Håll emellertid verktyg utanför direkt solljus då överdriven hetta kan slita på stötdämpare och andra gummidelar vilket resulterar i ökande underhåll.

## Bälteskrok (bild I, J)

**Varning!** Ta bort spikarna från magasinet innan några inställningar görs eller service utförs på verktyget. Om du inte gör det kan det resultera i allvarliga skador.

- ◆ Ta bort batteripaketet från verktyget och aktivera säkerhetslåset för avtryckaren.
- ◆ Använd en skruvmejsel för att ta bort skruven från upphängningskrokhålet på basen av verktyget (16).
- ◆ Placera främre klacken på upphängningskroken (11) i hålet på basen av verktyget (16) såsom visas i bild I.
- ◆ Fäst upphängningskroken (11) med den medföljande skruven (17) och dra åt med en skruvmejsel såsom visas i bild J.
- ◆ Byta batteripaketet.

## Reservdelar

**Varning!** För att minska risken för personskador skall batteripaketet kopplas ifrån verktyget och avtryckarlåset aktiveras innan underhåll utförs eller fastnad spik tas bort.

Verktyget levereras med ett extra skydd för kontaktnosen och är placerat på sidan av spikmagasinet.

- ◆ För att byta det extra skyddet för kontaktnosen, dra bara bort det gamla och sätt dit det nya på kontaktremsan.

Använd identiska reservdelar. För en reservdelslista eller för att beställa reservdelar, besök vår servicewebsida på [www.stanley.eu/3co.uk](http://www.stanley.eu/3co.uk). Du kan också beställa delar från din närmaste Stanley Fat Max fabrikksservicecenter eller från Stanley Fat Max Authorized Warranty.

## Felsökning

Om apparaten inte fungerar som den ska följer du instruktionerna nedan.

Om problemet kvarstår kontaktar du närmaste Stanley Fat Max-verkstad.

**Varning!** Dra ur kontakten till apparaten innan du fortsätter.

Problem	Möjlig orsak	Möjlig lösning
Enheten startar inte.	Batteriet sitter inte rätt.  Batteriet är inte laddat  Avtryckarlåset är aktiverat.	Se till att batteriet sitter som det ska.  Se till att batteriet är ordentligt laddat.  Lås upp avtryckarlåset.
Verktyget aktiveras inte. (Huvudljusen lyser, motorn körs inte)	Motorn slutar att köras efter 2 sekunder.	Normal drift, släpp avtryckaren eller kontaktremsan och tryck in igen.
Verktyget aktiveras inte (huvudljusen blinkar)	Låg batteriladdning eller skadat batteri.	Ladda eller byt batteri.
Verktyget aktiveras inte. (huvudljusen blinkar kontinuerligt)	Fästdon fastnat/verktyget fastnat.  Intern mekanism har fastnat	Ta bort batteriet, vrid på stoppfrigöringsspaken. Rensa bort det fastnade fästdonet och sätt tillbaka batteripaketet.  Besök auktoriserat servicecenter.
Verktyget aktiveras inte (huvudljusen på, motorn körs, drivblad fastnat nere)		Besök auktoriserat servicecenter.
Verktyget arbetar men driver inte fästdonen fullt ut.	Låg batteriladdning eller skadat batteri.  Djupinställningen är för grund.  Verktyget ligger inte fast an mot arbetsstycket.  Material och fästdonets längd för styva för applicering.	Ladda eller byt batteri.  Vrid på inställningshjulet för en djupare inställning.  Läs bruksanvisningen.  Välj lämpligt material eller längd på fästdon.

## Underhåll

Det här Stanley Fat Max-verktyget (med eller utan sladd) är konstruerat för att fungera under lång tid med minsta möjliga underhåll. Med rätt underhåll och regelbunden rengöring behåller verktyget/apparaten sin funktion.

**Varning!** Stäng av apparaten och dra ur nätsladden innan du rengör den.

- ◆ Smuts och fett kan avlägsnas från apparatens utsida med en trasa.

**Varning!** Använd ALDRIG lösningsmedel eller andra starka kemikalier för rengöring av apparatens icke-metalliska delar. Dessa kemikalier kan försvaga de material som används i dessa delar. Använd en trasa som bara är fuktad med vatten och mild tvål. Låt aldrig någon vätska komma in i apparaten och doppa den aldrig i någon vätska.

**Varning!** Spreja ALDRIG eller använd på annat sätt smörjmedel eller rengöringsmedel inuti verktyget. Detta kan allvarligt påverka verktygets livslängd och prestanda.



## Serviceanvisningar

Denna produkt är inte servicebar. Det finns inga användarservicebara delar inuti spikpistolen. Service på ett auktoriserat servicecenter krävs för att undvika skador på invändiga komponenter som är känsliga för statisk elektricitet.

## Skydda miljön



Separat insamling. Produkter och batterier som är markerade med denna symbol får inte kastas in de vanliga hushållsoporna.

Produkter och batterier innehåller material som kan återanvändas eller återvinnas för att minska behovet av råmaterial. Återvinn elektriska produkter och batterier enligt lokala bestämmelser. Närmare information finns tillgänglig på [www.2helpU.com](http://www.2helpU.com)

## Tekniska data

		FMC792B Typ:2
Spänning	$V_{DC}$	18
Batterityp		Li-jon
Arbetsläge		Sekventiell
Magasinvinkel		Rakt
Varvtal obelastad	rpm	9100
Driftenergi	ung.	60J
Vikt (endast verktyget)	kg	2.6

		Fästdon
Längd	mm	25 - 64
Axeldiameter	mm	1.6
Vinkel		Rakt

		Laddare
Inspänning	$V_{AC}$	230
Utspänning	$V_{DC}$	18
Strömstyrka	Ah	2.0
Laddningstid cirka		1 tim (2,0 Ah) 2 tim (4,0 Ah)
Vikt (endast laddare)	kg	0.45

Batteri		FMC687L	FMC688L
Spänning	$V_{AC}$	18	18
Kapacitet	Ah	2.0ah	4.0ah
Vikt	kg	0.35	0.67
Typ		Li-jon	Li-jon

Ljudnivå enligt EN 60745 - 1:

Ljudtryck ( $L_{pA}$ ) 87 dB(A), osäkerhet (K) 1,5 dB(A)

Ljudeffekt ( $L_{WA}$ ) 92 dB(A), osäkerhet (K) 2,5 dB(A)

Totala vibrationsvärden (vektorsumman av tre axlar) enligt EN 60745 - 2 - 16:

Häftspikar ( $a_h$ ) 1,8  $m/s^2$ , osäkerhet (K) 1,8  $m/s^2$

## EG Försäkran om överensstämmelse

MASKINDIREKTIVET



FMC792B - sladdlös spikpistol  
Stanley FatMax garanterar att produkterna som beskrivs

under "Tekniska data" uppfyller:

EN60745-1: 2009 +A11:2010,

EN 60745 - 2 -16:2010

De här produkterna överensstämmer även med direktiven 2004/108/EG (till 2016-04-19) 2014/30/EU (från 2016-04-20), 2006/42/EC och 2011/65/EU.

För ytterligare information, kontakta Stanley Europe på följande adress eller se slutet av bruksanvisningen.

Undertecknad är ansvarig för sammanställning av den tekniska filen och gör denna förklaring på Stanley Fat Max vägnar.

R. Laverick  
Director of Engineering  
Stanley Fat Max,  
Europe, 210 Bath Road, Slough,  
Berkshire, SL1 3YD  
Storbritannien  
2016-01-11

## Garanti

Stanley Fat Max är säker på kvaliteten hos denna produkt och erbjuder kunder 12 månaders garanti från datumet för inköpet. Garantin gäller utöver konsumentens rättigheter enligt lag och påverkar inte dessa. Garantin är giltig i de territorier som tillhör medlemsstaterna i Europeiska unionen och det europeiska frihandelsområdet.

För yrkande under garantin måste yrkandet vara in enlighet med Stanley Fat Max villkor och du kommer att behöva skicka in bevis på köpet till försäljaren eller en auktoriserad reparatör. Villkoren för Stanley Fat Max ettåriga garanti och var du hittar din närmaste auktoriserade reparatör kan erhållas på internet på [www.2helpU.com](http://www.2helpU.com), eller genom att kontakta ditt lokala Stanley Fat Max kontor.

Besök vår webbsida [www.stanely.eu/3](http://www.stanely.eu/3) för att registrera din nya Stanley Fat Max-produkt samt för att få information om nya produkter och specialerbjudanden.

## Tiltent bruk

Stanley Fat Max FMC792B trådlös spikerpistol er designet for spikring. Dette apparatet er tiltent både fagarbeidere og private brukere.

## Sikkerhetsinstruksjoner

### Generelle sikkerhetsadvarsler for elektroverktøy



**Advarsel! Les alle sikkerhetsadvarsler og alle instruksjoner.** Hvis advarslene og anvisningene nedenfor ikke overholdes, kan det medføre elektrisk støt, brann og/eller alvorlige personskader.

**Ta vare på alle advarsler og instruksjoner for fremtidig bruk.** Uttrykket "elektroverktøy" i alle advarslene nedenfor gjelder for strømdrevne elektroverktøy (med ledning) og batteridrevne elektroverktøy (uten ledning).

#### 1. Sikkerhet i arbeidsområdet

- Hold arbeidsområdet rent og godt opplyst.** Rotete eller mørke områder er en invitasjon til ulykker.
- Ikke arbeid med elektroverktøy i eksplosjonsfarlige omgivelser, for eksempel der det befinner seg brennbare væsker, gass eller støv.** Elektrisk verktøy skaper gnister som kan antenne støv eller gasser.
- Hold barn og andre personer unna når du bruker et elektroverktøy.** Distraksjoner kan føre til at du mister kontrollen.

#### 2. Elektrisk sikkerhet

- Støpselet til verktøyet må passe til stikkkontakten. Aldri modifier støpselet på noen måte. Ikke bruk adapterstøpsler til jordede elektriske verktøy.** Umodifiserte støpsler og stikkontakter som passer vil redusere risikoen for elektrisk sjokk.
- Unngå kroppskontakt med jordede overflater som rør, radiatorer, komfyrer og kjøleskap.** Det er økt risiko for elektrisk støt dersom kroppen din er jordet.
- Ikke utsett elektroverktøy for regn eller fuktighet.** Dersom det kommer vann inn i et elektrisk verktøy vil det øke risikoen for elektrisk sjokk.
- Unngå uforsvarlig behandling av ledningen. Aldri bruk ledningen til å bære, trekke eller dra ut støpselet til det elektriske verktøyet. Hold ledningen borte fra varme, olje, skarpe kanter eller bevegelige deler.** Skadede eller innviklede ledninger øker risikoen for elektrisk sjokk.
- Når du bruker et elektroverktøy utendørs, må du bruke en skjøteledning som er egnet til utendørs bruk.** Bruk av en skjøteledning beregnet for utendørs bruk reduserer risikoen for elektrisk støt.

- f. Hvis du ikke kan unngå å bruke elektroverktøy på et fuktig sted, må du bruke en strømforsyning som er beskyttet med jordfeilbryter. Bruk av jordfeilbryter (RCD) reduserer risikoen for elektrisk sjokk.
- 3. Personikkerhet**
- a. Vær oppmerksom, pass på hva du gjør, og vis fornuft når du arbeider med et elektroverktøy. Ikke bruk et elektrisk verktøy dersom du er trøtt eller er påvirket av medikamenter, narkotika eller alkohol. Ett øyeblikks uoppmerksomhet under bruk av elektriske verktøy kan føre til alvorlig personskade.
- b. Bruk personlig verneutstyr. Bruk alltid vernebriller. Verneutstyr slik som støvmaske, sklisikre vernesko, hjelm, eller hørselsvern brukt under passende forhold vil redusere personskader.
- c. Forhindre utilsiktet start. Kontroller at bryteren står i posisjon "av" før du kobler til strømkilden og/eller batteripakken, og før du tar opp eller bærer verktøyet. Å bære elektriske verktøy med fingeren på bryteren eller å sette inn støpselet mens elektriske verktøy har bryteren på øker faren for ulykker.
- d. Fjern eventuelt innstillingsverktøy eller skruverktøy før du slår på elektroverktøyet. Et skruverktøy eller en nøkkel som fortsatt er festet til en roterende del av elektroverktøyet, kan føre til personskade.
- e. Ikke strekk deg for langt. Ha godt fofeste og stå støtt hele tiden. Dette fører til at du har bedre kontroll over det elektriske verktøyet ved uventede situasjoner.
- f. Bruk egnede klær. Ikke ha på deg løstsittende klær eller smykker. Hold hår, antrekk og hansker borte fra bevegelige deler. Løstsittende klær, smykker og langt hår kan bli fanget opp av bevegelige deler.
- g. Hvis det kan monteres støvavsug- og oppsamlingsinnretninger, må du forvise deg om at disse er tilkoblet og brukes på riktig måte. Bruk av støvoppsamlere kan redusere støvrelaterte farer.
- 4. Bruk og behandling av elektroverktøy**
- a. Ikke bruk makt på elektroverktøyet. Bruk det elektriske verktøyet som situasjonen krever. Det riktige elektriske verktøyet vil gjøre jobben bedre og tryggere ved den hastigheten det ble konstruert for.
- b. Ikke bruk elektroverktøyet hvis du ikke kan slå det på og av med bryteren. Ethvert elektrisk verktøy som ikke kan kontrolleres med bryteren er farlig og må repareres.
- c. Trekk støpselet ut av stikkkontakten og/eller koble fra batteripakken på elektroverktøyet før du utfører innstillinger, bytter tilbehør eller legger elektroverktøyet bort. Slike preventive sikkerhetsforanstaltninger reduserer risikoen for å starte det elektriske verktøyet ved et uhell.
- d. Elektroverktøy som ikke er i bruk, må oppbevares utilgjengelig for barn. Ikke la verktøyet bli brukt av personer som ikke er fortrolige med det, eller som ikke kjenner disse instruksjonene. Elektriske verktøy er farlige i hendene på utrenede brukere.
- e. Sørg for vedlikehold av elektroverktøy. Undersøk om bevegelige deler er feiljustert eller blokkert, om deler er skadet, og om det er andre forhold som kan påvirke elektroverktøyet funksjon. Dersom det er skadet, få verktøyet reparert før neste bruk. Mange ulykker forårsakes av dårlig vedlikeholdte verktøy.
- f. Hold skjæreverktøy skarpe og rene. Godt vedlikeholdte skjæreverktøy med skarpe skjærekanten setter seg mindre sannsynlig fast og er lettere å kontrollere.
- g. Bruk elektroverktøy, tilbehør, bor osv. i henhold til disse instruksjonene. Ta hensyn til arbeidsforholdene og arbeidet som skal utføres. Bruk av det elektriske verktøyet for oppgaver som er forskjellige fra de som er tiltenkt kan føre til en farlig situasjon.
- 5. Bruk og stell av batteriverktøy**
- a. Ladningen skal bare skje med den laderen som produsenten har spesifisert. En lader som passer for en type batteripakke kan føre til risiko for brann dersom den brukes på en annen batteripakke.
- b. Bruk elektroverktøy bare sammen med spesifikt angitte batteripakker. Bruk av andre batteripakker kan føre til risiko for personskade og brann.
- c. Når batteripakken ikke er i bruk, må du oppbevare den atskilt fra andre metallgjenstander som binders, mynter, nøkler, spiker, skruer eller andre små metallgjenstander som kan opprette en forbindelse fra en terminal til en annen. Kortslutning av batteripolene mot hverandre kan føre til brannskader eller brann.
- d. Ved feilaktig bruk kan det komme væske ut av batteriet, unngå kontakt med den. Dersom du kommer i kontakt med den, skyll av med vann. Dersom du får væsken i øynene, søk legehjelp. Væske som kommer ut av batteriet kan føre til irritasjon eller brannskader.
- 6. Service**
- a. Elektroverktøy skal repareres av kvalifisert personell og bare med originale reservedeler. Dette vil sikre at verktøyet sikkerhet blir ivaretatt.
- Ytterligere sikkerhetsadvarsler for elektroverktøy**
- ◆ Bruk hjelpehåndtak som følger ned verktøyet. Å miste kontroll kan forårsake personskade.
  - ◆ Hold elektroverktøyet i de isolerte håndtakene når du utfører et arbeid der skjæretilbehøret kan komme i kontakt med skjulte ledninger.

Kapping av en strømførende ledning kan føre til at eksponerte metalldele på elektroverktøyet blir strømførende, og kan gi operatøren støt.

- ◆ **Hold elektroverktøyet i de isolerte grepene når du utfører arbeid der festeanordningen kan komme i kontakt med skjulte ledninger.** Skruer som kommer i kontakt med en strømførende ledning kan føre til at eksponerte metalldele på elektroverktøyet blir strømførende, og kan gi brukeren støt.
- ◆ **Bruk klemmer eller en annen praktisk måte å feste og støtte arbeidsstykket på en stabil plattform.** Å holde arbeidsstykket i hendene eller mot kroppen er ustabil og kan føre til at du mister kontroll.
- ◆ Før du borer i vegger, gulv eller tak, må du kontrollere plasseringen av kabler og rør.
- ◆ Unngå å komme i berøring med spissen på et bor rett etter boring, da den kan være varm.
- ◆ Bruksområdet er beskrevet i denne bruksanvisningen. Hvis du bruker annet tilbehør, kobler til annet utstyr eller bruker dette produktet til andre oppgaver enn det som er anbefalt i denne håndboken, kan det medføre fare for personskader og/eller skade på eiendom.

## Andre personers sikkerhet

- ◆ La aldri barn eller personer med reduserte fysiske, sensoriske eller mentale ferdigheter eller med manglende erfaring eller kunnskap, eller personer som ikke kjenner bruksanvisningen bruke denne maskinen.
- ◆ Lokale bestemmelser kan legge begrensninger på brukens alder.
- ◆ Ikke bruk maskinen hvis det er personer, spesielt barn, eller dyr i nærheten.

## Ekstra sikkerhetsanvisninger for trådløse skrutrekere

- ◆ Bruk alltid vernebriller.
- ◆ Bruk alltid hørselsvern.
- ◆ Bruk kun skruer av typen som er beskrevet i bruksanvisningen.
- ◆ Ikke bruk et stativ for å montere verktøyet til en støtte.
- ◆ Ikke demonter eller blokkør noen del av skrutrekerverk-tøyet slik som kontaktutløseren.
- ◆ Før bruk skal du alltid sjekke sikkerheten og utløsermekanismen fungerer skikkelig og at alle skruer og muttere sitter godt fast.
- ◆ Ikke bruk verktøyet som hammer.
- ◆ Ikke bruk verktøyet i en stige.
- ◆ Du skal aldri peke spikerpistolen mot deg selv eller andre.
- ◆ Mens du jobber skal du holde verktøyet på en slik måte at ingen skader kan oppstå mot hodet eller kroppen i tilfeller av mulig rekyl forårsaket av at strømforsyningen blir brutt eller harde områder inne i arbeidsstykket.

- ◆ Du skal aldri skyte med spikerpistolen ut i luften.
- ◆ På arbeidsområdet skal du skal alltid bære verktøyet i ett håndtak og aldri med utløseren aktivert.
- ◆ Du skal alltid ta hensyn til forholdene på arbeidsstedet hvor spikerpistolen kan trenge inn i tynne overflater eller skli av hjørner og kanter av overflater og således sette mennesker i fare.
- ◆ Du skal ikke feste spikere nær kanten på arbeidsstykket.
- ◆ Du skal ikke feste spikere oppå andre spikere.
- ◆ Gå alltid ut fra at verktøyet inneholder stifter/spikere. Uforsiktig håndtering av spikerpistolen kan føre til at spikere avfyres og til personskader.
- ◆ Ikke rett verktøyet mot deg selv eller andre personer i nærheten. Utsiktet innrykking av avtrekkeren vil avfyre spiker og kan føre til personskade.
- ◆ Ikke aktiver verktøyet før det er plassert tett inntil arbeidsstykket. Hvis verktøyet ikke har god kontakt med arbeidsstykket, kan stiften/spikeren skytes ut og bort fra festestedet.
- ◆ Koble verktøyet fra strømkilden hvis stifter/spikere setter seg fast i verktøyet. Når en fastlåst spiker skal fjernes kan spikerpistolen aktiveres utsiktet dersom den er plagget inn.
- ◆ Ikke bruk stiftmaskinen til festing av elektriske ledninger. Den er ikke konstruert for installering av elektriske kabler og kan skade isolasjonen på el-kabler og dermed forårsake elektrisk støt eller brann.

## Restrisikoer

Når verktøyet brukes, kan det oppstå ytterligere risikoer som kanskje ikke er beskrevet i de medfølgende sikkerhetsadvar-slene. Disse risikoene kan bli forårsaket av feil bruk, langvarig bruk osv. Selv om de relevante sikkerhetsbestemmelsene blir fulgt, og sikkerhetstiltakene blir gjennomført, kan visse gjen-værende risikoer ikke unngås. Disse inkluderer:

- ◆ Personskader som forårsakes av berøring av en roterende/bevegelig del.
- ◆ Personskader som forårsakes av at en del, et blad eller tilbehør endres.
- ◆ Personskader som skyldes for lang tids bruk av verktøyet. Når du bruker et verktøy i lange perioder, må du sørge for å ta regelmessige pauser.
- ◆ Hørselskader.
- ◆ Helsefarer som forårsakes av innånding av støv som dannes når du bruker verktøyet (eksempel: arbeid med tre, spesielt eik, bøk og MDF).

## Vibrasjons

emisjonsverdien som er angitt under tekniske data og sam-svarsrklæring, er blitt målt i henhold til en standard testmeto-de som er angitt i EN50636, og kan brukes til å sammenligne et verktøy med et annet.

Den oppgitte vibrasjonsemissionsverdien kan også brukes til en foreløpig vurdering av eksponering. Advarsel! Vibrasjonsemissionsverdien under faktisk bruk av elektroverktøyet kan avvike fra den oppgitte verdien avhengig av måten verktøyet blir brukt på. Vibrasjonsnivået kan øke over nivået som er oppgitt. Når det vurderes vibrasjonseksponering for å avgjøre hvilke sikkerhetstiltak som kreves ifølge 2002/44/EF, for å beskytte personer som bruker elektroverktøy regelmessig til arbeidsformål, skal det, når vibrasjonseksponeringen anslås, tas hensyn til de faktiske bruksforholdene og måten verktøyet blir brukt på. Dette inkluderer å ta hensyn til alle deler av brukssyklusen, for eksempel når verktøyet er avslått, når det går på tomgang og når utløseren er trykket inn.

### Etiketter på verktøyet

Følgende advarselssymboler vises på verktøyet sammen med datokoden:



**Advarsel!** Brukeren må lese bruks-anvisningen for å redusere faren for personskader.



**Advarsel!** Brukeren skal bruke vernebriller og hørselsvern for å redusere faren for personskader.



Hold hender og andre kroppsdeler unna bruksområdet.

### Ytterligere sikkerhetsinstruksjoner for batterier og ladere

#### Batterier

- ◆ Forsøk aldri å åpne av noen årsak.
- ◆ Ikke utsett batteriet for vann.
- ◆ Ikke oppbevar det på steder hvor temperaturen kan komme over 40 °C.
- ◆ Lad bare ved temperaturer mellom 10 °C og 40 °C.
- ◆ Følg instruksjonene i avsnittet "Miljøvern" når du skal kaste batterier.
- ◆ Ikke skad eller deformer batteripakken ved punktering eller støt, da dette kan føre til risiko for personskade og brann.
- ◆ Du må ikke lade skadede batterier.
- ◆ Under ekstreme forhold kan batterilekkasje forekomme. Hvis du oppdager væske på batteriene, må du tørke den forsiktig av med en klut. Unngå kontakt med huden.
- ◆ Hvis væsken kommer i kontakt med huden eller øynene, følger du instruksjonene under.

**Advarsel!** Batterivæsken kan føre til personskade eller skade på eiendom. Ved hudkontakt skyller du umiddelbart med vann.

Hvis huden blir rød eller irritert eller smerter inntreffer, søk øyeblikkelig medisinsk hjelp. Hvis væsken kommer i kontakt med øynene, skyller du umiddelbart med rent vann og søker øyeblikkelig medisinsk hjelp.



Ikke forsøk å lade opp skadede batterier.

#### Ladere

- ◆ Du skal kun bruke din Stanley Fat Max lader for å lade batteriet i verktøyet som det ble levert med. Annet batterier kan sprekke og føre til personskade og materiell skade.
- ◆ Prøv aldri å lade ikke-oppladbare batterier.
- ◆ Skift ut defekte ledninger umiddelbart.
- ◆ Ikke utsett laderen for vann.
- ◆ Ikke åpne laderen.
- ◆ Ikke stikk gjenstander eller fingre inn i laderen.

#### Symboler på laderen



Laderen er bare beregnet for innendørs bruk.



Les denne håndboken før bruk.

#### Elektrisk sikkerhet



Denne adapteren er dobbeltisolert. Jording er derfor ikke nødvendig. Kontroller alltid at nettspenningen er i overensstemmelse med spenningen på typeskiltet. Prøv aldri å skifte ut adapteren med et vanlig nettstøpsel.

#### Funksjoner

Dette apparatet har noen av eller alle funksjonene nedenfor.

1. Utløserbryter
2. Låsebryter
3. Dybdejusteringshjul
4. Dybdejusteringsindikator
5. Indikatorlys for lavt batteri og låst/fastkilt spiker
6. Låsespake
7. Luke for å fjerne blokkering
8. Kontaktutløser
9. Magasin
10. Skyvelås
11. Beltekrok
12. Skyvelåsutløser

## Bruk

### Lading av batteriet

Batteriet må lades før første gang det brukes, og hver gang det ikke lenger gir nok strøm til oppgaver som tidligere ble utført uten problemer. Batteriet kan bli varmt under lading. Dette er normalt og innebærer ikke feil.

**Advarsel!** Ikke lad batteriet ved omgivelsestemperaturer under 10 °C eller over 40 °C. Anbefalt ladetemperatur er ca. 24 °C.

**Merk:** Laderen vil ikke lade et batteri hvis celledemperaturen er under ca. 10 °C eller over 40 °C.

Du bør la batteriet stå i laderen. Laderen begynner å lade automatisk når celledemperaturen blir høyere eller lavere.

- ◆ Plugg inn laderen i en passende stikkontakt før du setter inn batteripakken.
- ◆ Sett batteripakken inn i laderen.



Det grønne LED-lyset blinker for å varsle om at batteriet lades.



Fullført lading vises ved at den grønne LED-en er på. Pakken er da fullt oppladet og kan brukes, eller den kan bli stående i laderen.

**Advarsel!** Lad opp utladete batterier så fort som mulig etter bruk, ellers vil batteriets levetid forringes.

### Laderdiagnose

Denne laderen er designet for å oppdage visse problemer som kan oppstå med batteripakken eller strømkilden. Problemer indikeres av et LED-lys som blinker i ulike mønstre.

### Dårlig batteri



Laderen kan oppdage et svakt eller ødelagt batteri. LED-lyset blinker i mønsteret som er indikert på merkelappen. Hvis du ser dette blinkemønsteret for dårlig batteri, skal du ikke fortsette å lade batteriet. Returner det til et servicesenter eller et oppsamlingssted for resirkulering

### Ventetid for varm/kald pakke



Dersom laderen detekterer et batteri som er for varmt eller for kaldt, vil den automatisk starte en "varm/kald pakke forsinkelse", og venter med å lade til batteriet har passende temperatur. Etter at dette har skjedd vil laderen automatisk skifte til pakkelademodus. Denne funksjonen sikrer maksimal levetid på batteriet. Det røde LED-lyset blinker i mønsteret indikert på merkelappen når varm/kald pakkeforsinkelse er oppdaget.

### La batteriet være i laderen

Laderen og batteripakken kan forbli tilkoblet med lysende LED-lys i ubegrenset tid. Laderen holder batteripakken klar og fulladet.

### Viktige merknader om lading

- ◆ Lang levetid og best ytelse kan oppnås ved at batteripakken lades når lufttemperaturen er mellom 18° - 24°C. IKKE lad batteripakken i en lufttemperatur under +4,5°C, eller over +40,5°C. Dette er svært viktig og vil forhindre skade på batteripakken.
- ◆ Laderen og batteripakken kan være varme å ta på under lading. Dette er normalt og er ikke et tegn på et problem. For å muliggjøre bedre kjøling av batteripakken etter bruk, unngå å oppbevare laderen i varme omgivelser slik som et metallskur eller en uisolert trailer
- ◆ Hvis batteripakken ikke lader skikkelig:
  - ◆ Kontroller strømmen i kontakten ved å sette inn en lampe eller et annet apparat
  - ◆ Kontroller at stikkkontakten er koblet til en lysbryter som slår av strømmen når du slår av lyset.
  - ◆ Flytt laderen og batteripakken til et sted hvor omgivelsestemperaturen er omtrent (18° - 24°C).
  - ◆ Hvis ladeproblemene vedvarer, ta verktøyet, batteripakken og laderen til ditt lokale servicesenter.
- ◆ Denne batteripakken med lang levetid må lades opp når den slutter å gi nok strøm til jobber som ble utført litt tidligere. I så fall, IKKE fortsett å bruke verktøyet. Følg ladeprosedyren. Du kan også lade opp en halvutladet pakke når som helst uten at det har noen effekt på batteripakken.
- ◆ Fremmedlegemer som kan lede strøm, inkludert ,men ikke begrenset til stålull, aluminiumsfolie eller annen ansamling av metalliske partikler, må holdes unna åpningene i laderen. Kople alltid laderen fra strømtilførselen når det ikke er en batteripakke i hulrommet. Kople fra laderen før rengjøring.
- ◆ IKKE sprut på eller senke ned i vann eller andre væsker.

**Advarsel!** Fare for støt. Ikke la væske komme inn i laderen. Forsøk aldri å åpne batteripakken av noen årsak.

Dersom plasthuset på batteripakken knekker eller får sprekker, send den til et servicesenter for avhending.

## Sette inn og ta av batteripakke på apparatet

**Advarsel!** Pass på at låseknappen er i bruk for å hindre utilsikket aktivering av bryteren før du tar ut eller setter inn et batteri.

## Installere batteripakken

Sett batteriet (A1) inn i apparatet til du hører et klikk når det går i lås (figur A). Pass på at batteripakken sitter godt og er låst på plass.

## Ta ut batteripakken

Trykk på batteriutløserknappen (B1) som vist på figur B og dra batteripakken ut av verktøyet.

## Bruk

**Advarsel!** Les avsnittet som heter Spikerpistol Sikkerhetsadvarsler i begynnelsen av denne bruksanvisningen. Benytt hørselvern og vernebriller når du bruker dette verktøyet. Hold spikerpistolen vendt bort fra deg selv og andre. Før hver bruk skal du gjennomføre de følgende prosedyrene og sjekker. Dette er for å forsikre deg om sikker bruk.

**Advarsel!** For å redusere faren for personskade skal du koble fra batteripakken fra verktøyet og sette på låseknappen før du utfører vedlikehold, tar ut fastlåste spiker, går bort fra arbeidsstedet, flytter verktøyet til et annet sted eller gir verktøyet til en annen person.

**Advarsel!** Hold fingrer UNNA utløseren når du ikke fester spiker. På denne måten unngår du unødvendig avfyring. Du skal aldri bære verktøyet med fingeren på avtrekkeren.

- ◆ Bruk alltid riktig vernebriller, hørselvern og åndedrettsbeskyttelse.
- ◆ Ta batteripakken av verktøyet og sett på avtrekkerlåsen
- ◆ Lås skyvelåsen i bakre posisjon og fjern alle spikerstrips fra magasinet.
- ◆ Sjekk for jevn og riktig drift i kontaktutløseren og kontaktutløseren. Ikke bruk maskinen dersom jordfeilbryteren ikke fungerer riktig.
- ◆ Du skal aldri bruke et verktøy som har skadede deler.

## Bruk av spikerpistolen

**Advarsel!** Kontaktutløseren må være trykket ned fulgt av et avtrekkerdrag for hver spiker fulgt av utløsning av både kontaktutløseren og avtrekkeren etter hver spiker.

**Advarsel!** Batteriet skal alltid være fjernet og utløserlåsen skal være på når justeringer skal utføres eller når verktøyet ikke er i bruk.

- ◆ Du skal trykke kontaktutløseren helt ned mot arbeidsflaten.
- ◆ Trykk på avtrekkeren og motoren vil starte. (spikeren vil gå inn i arbeidsflaten).
- ◆ Slipp avtrekkeren.

- ◆ Løft kontaktutløseren av arbeidsflaten.
- ◆ Repetér de 4 trinnene ovenfor for neste bruk

## Forberede verktøyet

**Advarsel!** ALDRI spray eller på annen måte påfør smøremidler eller rengjøringsmidler inn i verktøyet. Dette kan kraftig redusere levetid og ytelse på verktøyet.

**Advarsel!** Batteriet skal alltid være fjernet og utløserlåsen skal være på når justeringer skal utføres eller når verktøyet ikke er i bruk.

- ◆ Les sikkerhetsinstruksjonene i denne bruksanvisningen.
- ◆ Bruk vernebriller og hørselvern.
- ◆ Fjern batteriet fra verktøyet og lad det helt opp.
- ◆ Forsikre deg om at magasinet er helt tomt for spiker.
- ◆ Sjekk for glidende og riktig drift i kontaktutløseren og kontaktutløseren Ikke bruk maskinen dersom jordfeilbryteren ikke fungerer riktig.
- ◆ Hold verktøyet vendt bort fra deg selv og andre.
- ◆ Sett inn en fulladet batteripakke.

## Påfylling av verktøyet

**Advarsel!** Hold spikerpistolen vendt bort fra deg selv og andre. Dette kan resultere i alvorlig personskade.

**Advarsel!** Du skal aldri fylle på verktøyet når skyvelåsen eller avtrekkeren er aktivert.

**Advarsel!** Du skal alltid fjerne batteripakken før du fyller på eller fjerner spiker.

**Advarsel!** Batteriet skal alltid være fjernet og utløserlåsen skal være på når justeringer skal utføres eller når verktøyet ikke er i bruk.

**Advarsel!** Hold fingre unna kontaktutløseren for å unngå personskade.

- ◆ Sett inn spiker i bunnen av magasinet (9).
- ◆ Dra kontaktutløseren (10) nedover til spikerfølgeren (C1) faller bak spikrene som vist på figur C.
- ◆ Slipp ut knappen (10).

## Tømme verktøyet

**Advarsel!** Batteriet skal alltid være fjernet og utløserlåsen skal være på når justeringer skal utføres eller når verktøyet ikke er i bruk.

- ◆ Trykk på skyvelåsknappen (12).
- ◆ Sett inn spiker manuelt i bunnen av magasinet (9).
- ◆ Åpne blokkeringsluken (7) på nesedelen for å være sikker på at det ikke sitter noen spiker i.

## Justere dybde (figur D, E)

Dybden på spikrene kan justeres ved hjelp av dybdejusteringshjulet (3) på siden av verktøyet.

**Advarsel!** For å redusere risikoen for alvorlig personskade på grunn av utilsikket avfyring når du stiller inn dybden skal du alltid:

- ◆ Ta ut batteripakken.

- ◆ Sette på utløserlåsen.
- ◆ Unngå kontakt med avtrekkeren under justeringer.

Dybdeinnstillinger er på en skyveskala (4). Venstre side indikerer den dypeste og høyre sider indikerer den grunneste.

- ◆ For å sette en spiker dypere, roter dybdejusteringshjulet (3) nedover. Dette vil føre dybdejusteringsindikatoren (4) til venstre på skalaen.
- ◆ For å sette en spiker grunnere, roter dybdejusteringshjulet (3) oppover. Dette vil føre dybdejusteringsindikatoren (4) til høyre på skalaen.

## Arbeidsllys (figur F)

Arbeidslysene (5) finner du på begge sidene av spikerpistolen. Arbeidslysene går på når du trykker ned kontaktutløseren.

**Merk:** Arbeidsliset er for å belyse den nærmeste arbeidsflaten, og er ikke ment å brukes som lykt.



## Lavt batteriindikator:

Arbeidslysene vil blinke og så slå seg av for å indikere lavt batteri.



## Forkilt spikerindikator:

Arbeidslysene vil blinke kontinuerlig hvis en spiker kiler seg i nesestykket (se Fjerne forkilt spiker).

## Låsespake (figur G)

**Advarsel!** Dersom den kjører seg fast vil verktøyet slå seg av og du må tilbakestille det. Følg instruksene for å fjerne en forkiling for å gjøre det. Fjerne så batteripakken og sett den inn igjen. Verktøyet er nå klart til bruk. Dersom spikerpistolen brukes hardt slik at all energi i motoren brukes for å slå inn spikeren, kan verktøyet låse seg. Driverbladet gjennomførte ikke slagcyklusen og blokkeringsindikatoren blinker. Roter låsespaken (6) på verktøyet og mekanismen vil løse som vist på figur G.

**Merk!** Verktøyet vil deaktivere seg selv og ikke tilbakestilles før batteripakken er tatt ut og satt inn igjen. Dersom enheten stadig blokkeres og går i lås, kontroller materialet og spikerlengden for å se om bruksområdet er korrekt. Hvis driverbladet ikke går automatisk tilbake til sin posisjon etter å ha rotert forkilingsspaken, gå videre til "Fjerne en forkilt spiker".



## Fjerne en forkilt spiker (figur H)

**Advarsel!** For å redusere risikoen for personskade skal du koble fra batteripakken fra verktøyet og sette på avtrekkerlåsen før du utfører vedlikehold eller fjerner en kilt spiker. Hvis en spiker setter seg fast i nesestykket skal du holde verktøyet bort fra deg selv og følge disse instruksjonene for å fjerne den:

- ◆ Ta batteripakken av verktøyet og sett på avtrekkerlåsen



- ◆ Roter forkilingsspaken (6) på verktøyet for å løse driverbladet og løse forkilingen, Hvis verktøyet fremdeles er blokkert skal du følge de 9 trinnene som er listet opp nedenfor:

- ◆ Dra skyvelåsen nedover til den låses på plass. Tilt så verktøyet over slik at spikeren glir fritt ut fra bunnen av magasinet.



- ◆ Løft blokkeringsluken (7) og dra oppover for å åpne luken (14).
- ◆ Ta ut den bøyde/fastlåste spikeren, bruk en tang om nødvendig.
- ◆ Dersom driverbladet er i nede-posisjonen, sett inn en skrutrekker i nesestykket og skyv bladet tilbake i posisjon.
- ◆ Lukk frontdøren og sett på wireformen (13) under de to armene (15) på kontaktutløseren. Dytt blokkeringsluken ned (7) til den låser seg på plass.
- ◆ Sett inn igjen spikere i magasinet (se Lade verktøyet).
- ◆ Dra skyvelåsen (10) nedover til spikerfølgeren (C1) faller bak spikrene som vist på figur C.
- ◆ Sett inn igjen batteripakken.
- ◆ Ta av avtrekkerlåsen (2) slik at avtrekkeren blir aktivert.

**Advarsel!** Hvis det oppstår en blokkering vil verktøyet slå seg av og kreve at du starter det på nytt. For å gjøre dette, følg instruksjonene om hvordan du fjerner en forkilt spiker. Fjerne så batteripakken og sett den inn igjen. Verktøyet er nå klart til bruk.

**Merk!** Hvis spiker fortsetter å kile seg fast kontinuerlig skal du sørge for at verktøyet blir vedlikeholdt hos et autorisert Stanley Fat Max servicesenter.



## Drift i kaldt vær

Når du bruker verktøyet i temperaturer i minusgrader:

- ◆ Hold verktøyet så varmt som mulig før du bruker det.
- ◆ Aktiver verktøyet 5 eller 6 ganger i avkapp før bruk.

## Drift i varmt vær

Verktøyet skal virke som normalt. Hold verktøyet unna direkte sollys da overoppheting kan forringe støtdempere og andre gummidelere. Dette kan resultere i økt vedlikehold.

## Beltekrok (figur I-J)

**Advarsel!** Fjern alle spiker fra magasinet før du gjør noen justeringer eller utfører service på verktøyet. Unnlattelse kan føre til personskaade.

- ◆ Ta batteripakken av verktøyet og sett på avtrekkerlåsen
- ◆ Fjern skruen fra hengekrokhuset med et skrujern i bunnen på verktøyet (16).
- ◆ Plasser fremdelen av hengekroken (11) inn i hullet på bunnen av verktøyet (16) som vist på figur I.
- ◆ Sikre hengekroken (11) med den medfølgende skruen (17) og fest den fast med et skrujern som vist på figur J.
- ◆ Bytt ut batteripakken.

## Reservedeler

**Advarsel!** For å redusere risikoen for personskaade skal du koble fra batteripakken fra verktøyet og sette på avtrekkerlåsen før du utfører vedlikehold eller fjerner en kilt spiker.

Verktøyet leveres med en ekstra merkefri tupp på siden av spikermagasinet.

- ◆ For å skifte ut den merkefrie tuppen, ta av den gamle merkefrie tuppen og sett på den nye merkefrie tuppen på kontaktutløseren.

Bruk kun identiske reservedeler. For en delaliste for å bestille deler, se vår service-nettside [www.stanley.eu/3co.uk](http://www.stanley.eu/3co.uk). Du kan også bestille deler fra din nærmeste Stanley Fat Max fabrikk servicesenter eller Stanley Fat Max autorisert garantiverksted.

## Feilsøking

Hvis apparatet ikke fungerer som det skal, følger du instruksjonene under.

Hvis problemet ikke løses, kontakter du ditt lokale Stanley Fat Max-serviceverksted.

**Advarsel!** Koble apparatet fra strømmen før du fortsetter.

Problem	Mulig årsak	Mulig løsning
Enheten starter ikke.	Batteripakken er ikke satt inn riktig	Kontroller innstillingen av batteripakken
	Batteripakken er ikke ladet.	Kontroller kravene til ladning av batteripakken
	Avtrekkerlåsen er satt på.	Ta av avtrekkerlåsen.

Problem	Mulig årsak	Mulig løsning
Verktøyet avfyres ikke. (Lys på, motor går ikke)	Motoren stopper etter 2 sekunder.	Normal drift, løse avtrekkeren eller kontaktutløseren og trykk inn igjen.
Verktøyet avfyres ikke (lyset blinker)	Lavt batteri eller skadet batteri.	Lad opp eller skift ut batteriet.
Verktøyet avfyres ikke (lyset blinker kontinuerlig)	Spiker forkillt/ verktøy forkillt.	Ta ut batteriet, roter forkillingspaken. Fjern de forkillte spikeren og sett inn igjen batteripakken.
	Forkilt mekanisme	Kontakt et autorisert servicesenter.
Verktøyet avfyres ikke. (Lys er på, motoren går, bladet låst ned)		Kontakt et autorisert servicesenter.
Verktøyet funker, men driver ikke spikeren helt inn.	Lavt batteri eller skadet batteri.	Lad opp eller skift ut batteriet.
	Dybdejusteringen satt for kort.	Roter dybdejusteringshjul til dyper innstilling.
	Verktøyet ikke fast presset mot arbeidsstykket.	Les bruksanvisningen.
	Materiale og spikerens lengde er for hard bruk.	Velg passende materiale eller spikerlengde.

## Vedlikehold

Det nettdrevne/batteridrevne Stanley Fat Max-apparatet/verktøyet er konstruert for å være i drift over lengre tid med et minimum av vedlikehold. Verktøyet/apparatet er avhengig av riktig stell og regelmessig rengjøring for å fungere som det skal til enhver tid.

**Advarsel!** Slå av apparatet og trekk støpselet ut av stikkontakten før rengjøring.

- ◆ Smuss og fett kan tørkes av fra apparatet utvendig med en klut.

**Advarsel!** Bruk ALDRI løsemidler eller andre kraftige kjemikalier til å rengjøre de ikke-metalliske delene på apparatet. Disse kjemikaliene kan svekke materialene som brukes i disse delene.

Bruk en klut som bare er fuktet med vann og mild såpe. La det aldri komme væske inn i enheten, og senk aldri noen deler av enheten ned i væske.

**Advarsel!** ALDRI spray eller på annen måte påføre smøremidler eller rengjøringsmidler inn i verktøyet. Dette kan kraftig redusere levetid og ytelse på verktøyet.

## Servicemerknader

Radioen kan ikke repareres av brukeren. Det er ingen deler inne i spikerpistolen som trenger service. Reparasjon hos et autorisert servicesenter er påkrevd for å unngå skade på statisk sensitive interne komponenter.

## Miljøvern



Separat avfallshåndtering. Produkter og batterier merket med dette symbolet skal ikke kastes i vanlig husholdningsavfall.

Produkter og batterier inneholder materialer som kan gjenbrukes eller gjenvinnes for å redusere behovet for nye råmaterialer. Vennligst lever elektrisk utstyr og batterier til gjenbruk i henhold til lokale regler. Mer informasjon finner du på [www.2helpU.com](http://www.2helpU.com)

## Tekniske data

		FMC792B Type:2
Spenning	$V_{DC}$	18
Batteritype		Li-Ion
Aktiveringsmodus		Sekvensiell
Magasinvinkel		Rettt
Tomgangshastighet	rpm	9100
Driv-energi	omtrent	60J
Vekt (bare verktøyet)	kg	2,6

Spikere		
Lengde	mm	25 - 64
Spiker diameter	mm	1,6
Vinkel		Rettt

Lader		90608625
Inngangsspenning	$V_{AC}$	230
Utgangsspenning	$V_{DC}$	18
Strøm	Ah	2,0
Omtrentlig ladetid		1 time (2,0 Ah) 2 timer (4,0 Ah)
Vekt (bare lader)	kg	0,45

Batteri		FMC687L	FMC688L
Spenning	$V_{AC}$	18	18
Kapasitet	Ah	2.0ah	4.0ah
Vekt	kg	0,35	0,67
Type		Li-Ion	Li-Ion

Lydtrykknivå målt i henhold til EN 60745 - 1:

Lydtrykk ( $L_{PA}$ ) 87 dB(A), usikkerhet (K) 1,5 dB(A)

Lydeffekt ( $L_{WA}$ ) 92 dB(A), usikkerhet (K) 2,5 dB(A)

Totalt vibrasjonsverdier (triax vektorsum) bestemt i samsvar med EN 60745 - 2 - 16:

Stifting, spiker ( $a_{gv}$ ) 1,8 m/s<sup>2</sup>, usikkerhet (K) 1,8 m/s<sup>2</sup>

## EU-samsvarserklæring

MASKINERIDIREKTIV



FMC792B - Trådløs spikerpistol

Stanley Europe erklærer at disse produktene som er beskrevet under "Tekniske data", er i samsvar med:

EN60745-1 2009 +A11:2010,

EN 60745 - 2 -16:2010

Disse produktene er også i samsvar med direktiv 2004/108/EF (frem til 19/04/2016) 2014/30/EU (fra 20/04/2016), 2006/42/

EC og

2011/65/EU.

Hvis du ønsker mer informasjon, kontakt Stanley Fat Max på følgende adresse, eller se på baksiden av bruksanvisningen.

Undertegnede er ansvarlig for sammenstillingen av den tekniske filen og fremsetter denne erklæringen på vegne av Stanley Fat Max.

R. Laverick  
Director of Engineering  
Stanley Fat Max,  
210 Bath Road, Slough,  
Berkshire, SL1 3YD  
Storbritannia  
11.01.2016

## Garanti

Stanley Fat Max er trygg på kvaliteten av produktene sine og tilbyr en 12 måneders garanti fra kjøpsdato. Denne garantierklæringen kommer i tillegg til dine lovbestemte rettigheter og er ikke i konflikt med disse. Garantien er gyldig innen områdene tilhørende medlemslandene i den Europeiske Union (EU) og det Europeiske Frihandelsområdet (EFTA).

For å ta garantien i bruk må kravet være i samsvar med kjøpsbetingelsene fra Stanley Fat Max og du må vise kjøpskvittering til forhandleren eller til et autorisert serviceverksted. Betingelsene for Stanley Fat Max 1 års garanti og adressen til din nærmeste autoriserte serviceverksted kan du finne på internett under [www.2helpU.com](http://www.2helpU.com) eller ved å kontakte det lokale Fat Max-kontoret.

Besøk vår webside [www.stanley.eu/3co.uk](http://www.stanley.eu/3co.uk) for å registrere ditt nye Stanley Fat Max produkt og for å holde deg oppdatert om nye produkter og spesialtilbud.

## Tilsigtet brug

Din Stanley Fat Max FMC792B ledningsfrie sømpistol er designet til sømning. Dette apparat er beregnet til erhvervsmæssige brugere og private ikke-erhvervsmæssige brugere.

## Sikkerhedsinstruktioner

### Generelle sikkerhedsadvarsler vedrørende

**elværktøj** **Advarsel! Læs alle sikkerhedsadvarsler og alle instruktioner.** Hvis nedenstående advarsler og instruktioner ikke følges, er der risiko for elektrisk stød, brand og/eller alvorlige personskader.



**Gem alle advarsler og anvisninger til senere brug.** Begrebet "elværktøj", der benyttes i nedenstående advarsler, henviser til netdrevet elværktøj (med netledning) eller batteridrevet elværktøj (uden netledning).

1. **Sikkerhed i arbejdsområdet**
  - a. **Hold arbejdsområdet rent og ordentligt oplyst.** Rodede eller mørke områder giver anledning til ulykker.
  - b. **Brug ikke elværktøj i eksplosive atmosfærer, f.eks. i områder med brændbare væsker, gasser eller støv.** Elværktøj danner gnister, der kan antænde støv eller dampe.
  - c. **Hold børn og omkringstående på afstand, når der arbejdes med elværktøj.** Distractioner kan medføre, at du mister kontrollen.
2. **Elektricitet og sikkerhed**
  - a. **Elværktøjets stik skal passe til kontakten. Stikket må aldrig modificeres på nogen måde. Undlad at bruge adapterstik sammen med jordforbundet elektrisk værktøj.** Umodificerede stik og dertil passende stikkontakter reducerer risikoen for elektrisk stød.
  - b. **Undgå kropskontakt med jordforbundne overflader som f.eks. rør, radiatorer, komfurer og køleskabe.** Der er øget risiko for elektrisk stød, hvis din krop er jordforbundet.
  - c. **Udsæt ikke elværktøj for regn, og brug det ikke, hvor omgivelserne er våde.** Hvis der trænger vand ind i et elektrisk værktøj, øges risikoen for elektrisk stød.
  - d. **Pas på, at ledningen ikke beskadiges. Brug aldrig ledningen til at bære, trække værktøjet eller trække det ud af stikkontakten. Hold ledningen borte fra varme, olie, skarpe kanter og bevægelige dele.** Beskadigede eller sammenfiltrede ledninger øger risikoen for elektrisk stød.

- e. **Hvis elværktøj benyttes udendørs, skal der benyttes en forlængerledning, der er godkendt til udendørs brug.** Brug af en ledning, der er egnet til udendørs brug, reducerer risikoen for elektrisk stød.
- f. **Brug en strømkilde med fejlstrømsrelæ, hvis det er nødvendigt at anvende elværktøj på fugtige steder.** Ved at benytte en fejlstrømsafbryder reduceres risikoen for elektrisk stød.
3. **Personlig sikkerhed**
- a. **Vær opmærksom, hold øje med, hvad du laver, og brug elværktøjet fornuftigt. Betjen ikke værktøjet, hvis du er træt, påvirket af narkotika, alkohol eller medicin.** Et øjeblikvis uopmærksomhed under anvendelse af et elektrisk værktøj kan forårsage alvorlig personskade.
- b. **Brug personligt beskyttelsesudstyr. Bær altid beskyttelsesbriller.** Sikkerhedsudstyr, såsom støvmaske, skridsikre sikkerhedssko, sikkerhedshjelm eller høreværn, brugt når omstændighederne foreskriver det, reducerer omfanget af personskader.
- c. **Træf forholdsregler, så utilsigtet start ikke er mulig. Kontroller, at afbryderkontakten står på slukket, inden værktøjet tilsluttes strømkilden og/eller batteriet, samles op eller bæres.** Når elektrisk værktøj bæres med fingeren på kontakten eller tilsluttes, når kontakten er tændt, giver det anledning til ulykker.
- d. **Fjern indstillingsværktøj eller skrue nøgle, inden elværktøjet startes.** En skrue nøgle eller anden nøgle, der bliver siddende på en roterende del af elektrisk værktøj, kan give anledning til personskade
- e. **Stræk dig ikke for langt. Hold hele tiden en god fodstilling og balance.** Dette giver bedre kontrol af det elektriske værktøj, når uventede situationer opstår.
- f. **Brug egnet arbejdstøj. Bær ikke løst tøj eller smykker. Hold dit hår, tøj og handsker væk fra bevægelige dele.** Løstsiddende tøj, smykker eller langt hår kan blive fanget i bevægelige dele.
- g. **Hvis der kan monteres støvudsugnings- og opsamlingsudstyr, skal dette tilsluttes og benyttes korrekt.** Anvendelse af støvopsamlingsudstyr kan begrænse farer forårsaget af støv.
4. **Brug og vedligeholdelse af elværktøj**
- a. **Overbelast ikke elværktøjet. Brug det værktøj, der er bedst egnet til det arbejde, der skal udføres.** Værktøjet vil klare opgaven bedre og mere sikkert med den ydelse, som det er beregnet til.
- b. **Brug ikke elværktøjet, hvis afbryderkontakten er defekt.** Alt elektrisk værktøj, der ikke kan kontrolleres med kontakten, er farligt og skal repareres.
- c. **Træk stikket ud af stikkontakten og/eller tag batteriet ud af elværktøjet, før du indstillet det, skifter tilbehør eller lægger det væk.**
- Sådanne forebyggende sikkerhedsforanstaltninger mindsker risikoen for, at værktøjet startes utilsigtet.
- d. **Opbevar ubenyttet elværktøj uden for børns rækkevidde. Lad aldrig personer, der ikke er fortrolige med elværktøjet, eller som ikke har læst denne vejledning, benytte maskinen.** El-værktøj er farligt i hænderne på personer, som ikke er instrueret i brugen deraf.
- e. **Elværktøj skal vedligeholdes. Kontroller, om bevægelige dele er skæve og ikke sidder fast, og om delene er brækket eller beskadiget, så elværktøjets funktion påvirkes.** Hvis det elektriske værktøj er beskadiget, skal det repareres før brug. Mange ulykker er forårsaget af dårligt vedligeholdt værktøj.
- f. **Hold skæreværktøj skarpt og rent.** Ordentligt vedligeholdt skæreværktøj med skarpe skærekanter har mindre tilbøjelighed til at binde og er lettere at styre.
- g. **Brug elværktøjet, tilbehøret, indsatsværktøj osv. i overensstemmelse med disse instruktioner under hensyntagen til arbejdsforholdene og arbejdet, der skal udføres med værktøjet.** Brug af elektrisk værktøj til andre opgaver end dem, det er beregnet til, kan resultere i en farlig situation.
5. **Brug og pleje af batteriværktøj**
- a. **Genoplad kun med den lader, som producenten har angivet.** En oplader, der passer til en type batteripakke, kan udgøre en risiko for brand, når den bruges til en anden type.
- b. **Elværktøj må kun bruges med batteripakker, der er beregnet hertil.** Brugen af andre batteripakker kan medføre personskade og brand.
- c. **Når batteripakken ikke er i brug, skal den holdes på afstand af andre metalgenstande, f.eks. papirclips, mønter, nøgler, søm, skruer og andre små metalgenstande, som kan skabe forbindelse mellem de to poler.** Kortslutning af batteriet kan forårsage forbrændinger eller brand.
- d. **Under grove forhold kan væske sive ud fra batteriet; undgå kontakt. Hvis der opstår kontakt ved et uheld, skyl med vand. Hvis væske kommer ind i øjnene, søg omgående lægehjælp.** Væske, der siver ud fra batteriet, kan fremkalde irritationer eller forbrændinger.
6. **Service**
- a. **Få altid elværktøjet repareret af kvalificerede fagfolk, og brug kun originale reservedele.** Derved sikres det, at værktøjets driftssikkerhed opretholdes.
- Yderligere sikkerhedsadvarsler for elværktøj
- ◆ **Brug de ekstra håndtag, der følger med værktøjet.** Tab af kontrol kan medføre personskade.

- ◆ **Hold i elværktøjets isolerede gribeblader, hvis der er risiko for, at skæretilbehøret kommer i kontakt med skjulte ledninger.** Hvis skæretilbehøret rammer en strømførende ledning, bliver elværktøjets blottagte dele strømførende, så brugeren får stød.
- ◆ **Hold i elværktøjets isolerede gribeblader, hvis der er risiko for at beslaget kommer i kontakt med skjulte ledninger.** Hvis beslag kommer i kontakt med en strømførende ledning, bliver elværktøjets blottagte dele strømførende, så brugeren får stød.
- ◆ **Brug skruetvingere eller lignende til at holde og støtte materialet på et stabilt underlag.** Hvis du holder fast i arbejdsemnet med din hånd eller krop, vil det være ustabil, og det kan medføre, at du mister kontrollen over det.
- ◆ **Kontroller placeringen af ledninger og rør, inden der bores i vægge, gulve eller lofter.**
- ◆ **Rør ikke ved spidsen af et bor lige efter boring, det kan være varmt.**
- ◆ **Den tilsigtede anvendelse er beskrevet i denne betjeningsvejledning.** Brug af ekstraudstyr eller tilbehør eller udførelse af andre opgaver med dette værktøj end de, der anbefales i denne vejledning, kan medføre risiko for personskade og/eller materiel skade.

## Andres sikkerhed

- ◆ **Lad aldrig børn, personer med nedsatte fysiske, sensoriske eller mentale evner eller manglende erfaring og viden, eller folk der ikke kender disse instruktioner bruge maskinen,**
- ◆ **lokale regler kan begrænse brugerens alder.**
- ◆ **Brug aldrig maskinen, mens der er andre i nærheden, især børn eller kæledyr.**

## Ekstra sikkerhedsinstruktioner for ledningsfrie sømpistoler

- ◆ **Brug altid sikkerhedsbriller.**
- ◆ **Bær altid høreværn.**
- ◆ **Brug altid kun de sømtyper, der er angivet i vejledningen.**
- ◆ **Brug ikke nogen stativer ved montering af værktøjet til en holder.**
- ◆ **Adskil eller bloker ikke nogen dele af sømdrivværktøjet som f.eks. kontaktudløseren.**
- ◆ **Kontroller før hver handling, at sikkerheden og udløsermekanismen fungerer korrekt, og at alle mørtikker og bolte er strammet.**
- ◆ **Brug ikke værktøjet som en hammer.**
- ◆ **Brug ikke værktøjet på en stige.**
- ◆ **Ret aldrig et driftsklar sømdrivværktøj mod dig selv eller mod en anden person.**

- ◆ **Mens du arbejder, skal du holde værktøjet på en sådan måde, at der ikke kan opstå skader på dit hoved eller krop i tilfælde af en eventuel rekyl på grund af en afbrydelse af energiforsyningen eller hårde områder i arbejdsemnet.**
- ◆ **Aktiver aldrig sømdrivværktøjet i et frirum.**
- ◆ **I arbejdsområdet, bær værktøjet på arbejdspladsen ved hjælp af kun et håndtag og aldrig med aktiveret udløser.**
- ◆ **Tag hensyn til forholdene i arbejdsområdet søm kan trænge igennem tynde arbejdsemner eller glide på hjørner og kanter på arbejdsemnet, og kan dermed udsætte mennesker for fare.**
- ◆ **Kør ikke søm tæt til kanten på arbejdsemnet.**
- ◆ **Kør ikke søm oven på andre søm.**
- ◆ **Gå altid ud fra, at værktøjet indeholder søm.** Skødesløs håndtering af sømpistolen kan medføre uventet udløsning af søm og personskader.
- ◆ **Ret ikke værktøjet mod dig selv eller omkringstående.** Uventet udløsning vil løsne sømmene og medføre personskade.
- ◆ **Aktiver ikke værktøjet, medmindre det er anbragt solidt helt op mod arbejdsemnet.** Hvis værktøjet ikke har kontakt, kan sømmet blive afbøjet væk fra målet.
- ◆ **Slå strømmen fra værktøjet, hvis sømmet blokeres i værktøjet.** Når du frigør et blokeret søm, kan sømpistolen blive aktiveret ved et uheld, hvis strømmen er tilsluttet.
- ◆ **Brug ikke dette værktøj til at fastgøre elledninger.** Det er ikke designet til montering af elledninger og kan beskadige isoleringen af elledninger og derved forårsage elektrisk stød eller brandrisiko.

## Restrisici

Der kan opstå yderligere restrisici under brugen af værktøjet, som ikke kan medtages i vedlagte sikkerhedsadvarsler. Disse risici kan opstå pga. forkert anvendelse, langvarig brug etc. Selv ved overholdelse af relevante sikkerhedsforskrifter og anvendelse af sikkerhedsudstyr kan visse restrisici ikke undgås. Disse omfatter:

- ◆ **Tilskadekomst forårsaget af berøring af roterende/bevægelige dele.**
- ◆ **Tilskadekomst forårsaget af udskiftning af dele, klinger eller tilbehør.**
- ◆ **Tilskadekomst forårsaget af langvarig brug af et værktøj.** Husk at holde pause jævnligt ved brug af et værktøj i længere tid.
- ◆ **Hørenedsættelse.**
- ◆ **Sundhedsrisici forårsaget af indånding af støv, der genereres ved brug af værktøjet (eksempel: Arbejde med træ, især, eg, bøg og MDF.)**

## Vibration

De angivne værdier for udsendelse af vibration anført under de tekniske data og overensstemmelseserklæringen er målt i henhold til standardtestmetoden i EN50636 og kan bruges til at sammenligne ét værktøj med et andet. Den angivne vibrationsemissionsværdi kan også bruges som en foreløbig vurdering af eksponeringen.

**Advarsel!** Værdien for udsendelse af vibration ved faktisk brug af elværktøjet kan afvige fra den angivne værdi afhængig af måden, værktøjet anvendes på. Vibrationsniveauet kan overstige det angivne niveau.

I vurderingen af eksponeringen for vibration med henblik på fastsættelse af sikkerhedsforanstaltninger som krævet i 2002/44/EF til beskyttelse af personer, der jævnligt anvender elværktøj i deres arbejde, skal der tages hensyn til de faktiske betingelser under brugen, og måden værktøjet bruges på, herunder alle arbejdsrytters elementer, f.eks. perioder, hvor værktøjet er slukket, og hvor det kører i tomgang, tillige med startperioderne.

## Mærkatet på værktøjet

Værktøjet er forsynet med følgende advarselssymboler samt datokoden:



**Advarsel!** For at reducere risikoen for personskade bør du læse betjeningsvejledningen.



**Advarsel!** For at reducere risikoen for personskade, skal brugeren bære høreværn og øjenbeskyttelse.



Hold hænder og kropsdele fri af det aktuelle arbejdsområde.

## Yderligere sikkerhedsvejledninger for batterier og ladere

### Batterier

- ◆ Forsøg aldrig at åbne den af en eller anden grund.
- ◆ Batteriet må ikke udsættes for vand.
- ◆ Må ikke opbevares på steder, hvor temperaturen kan overstige 40°C.
- ◆ Oplad kun ved omgivelsestemperaturer på mellem 10° C og 40 °C.
- ◆ Følg vejledningen i afsnittet "Miljøbeskyttelse" ved bortskaffelse af batterier".
- ◆ Undgå at beskadige/deformere batteripakken ved punktere den eller slå på den, da dette kan forårsage risiko for tilskadekomst eller brand.
- ◆ Beskadigede batterier må ikke oplades.

- ◆ Under ekstreme forhold kan der forekomme batterilækage. Hvis du bemærker væske på batterierne, skal du omhyggeligt tørre den af med en klud. Undgå kontakt med huden.
- ◆ I tilfælde af kontakt med hud eller øjne, skal du følge nedenstående anvisninger.

**Advarsel!** Batterivæsken kan forårsage personskader eller materielle skader. I tilfælde af kontakt med huden skylles straks med vand.

Søg læge, hvis der opstår rødme, smerte eller irritation. Skyl straks med rent vand, og søg læge i tilfælde af kontakt med øjnene.



Forsøg ikke at oplade beskadigede batterier

### Opladere

- ◆ Brug udelukkende din Stanley Fat Max oplader til opladning af batteriet i det værktøj, hvormed det blev leveret. Andre batterier kan eksplodere og forårsage personskader og materielle skader.
- ◆ Forsøg aldrig at oplade ikke-genopladelige batterier.
- ◆ Udskift straks defekte ledninger.
- ◆ Opladeren må ikke udsættes for vand.
- ◆ Opladeren må ikke åbnes.
- ◆ Opladeren må ikke undersøges

### Symboler på opladeren



Opladeren er kun beregnet til indendørs brug.



Læs brugervejledningen, før værktøjet tages i brug.

### Elektricitet og sikkerhed



Adapteren er dobbelt isoleret. Derfor er en jordledning ikke nødvendig. Kontroller altid, at netspændingen svarer til spændingen på typeskiltet. Forsøg aldrig at erstatte adapterenheden med et almindeligt netstik.

### Funktioner

Dette apparat leveres med nogle af eller alle de følgende komponenter.

1. Startknap
2. Udløserens afbryderkontakt
3. Dybdejusteringshjul
4. Dybdejusteringsindikator
5. Indikatorlys for arbejdslys/lavt batteri/blokering/fastlåsning
6. Udløsergreb for fastlåsning
7. Fastklemningslås

8. Kontaktdløser
9. Magasin
10. Skubberlås
11. Bæltekrog
12. Skubberlåsudløser

## Varm/kold pakkeforsinkelse



Når opladeren registrerer et batteri, der er alt for varmt eller alt for koldt, starter den automatisk en varm/kold pakkeforsinkelse og indstiller opladningen, indtil batteriet er blevet normaliseret. Efter dette er sket, skifter opladeren automatisk til pakkeopladningsfunktionen. Denne funktion sikrer maksimal batterilevetid. Det røde LED blinker i det mønstre, der er angivet på mærkaten, når varm/kold pakkeforsinkelsen registreres.

## Lad batteriet blive siddende i opladeren

Du kan lade batteripakken sidde i laderen med tændt lysdiode, så længe det ønskes. Opladeren holder batteripakken klar og fuldt opladet.

## Vigtige bemærkninger om opladning

- ◆ Den længste levetid og bedste ydeevne kan opnås, hvis batteripakken oplades, når lufttemperaturen ligger mellem 18° - 24°C. Oplad IKKE batteripakken ved en lufttemperatur under +4,5°C eller over +40,5°C. Dette er vigtigt og vil forhindre alvorlig beskadigelse af batteripakken.
- ◆ Opladeren og batteripakken kan blive for varme at røre ved under opladning. Dette er normalt og angiver ikke et problem. For at lette køling af batteripakken efter brug, undgå at placere opladeren eller batteripakken i varme omgivelser, som f.eks. i et metalskur eller i en uisoleret trailer
- ◆ Hvis batteripakken ikke oplades ordentligt:
  - ◆ Kontroller strømstikket ved at tilslutte en lampe eller et andet apparat
  - ◆ Kontrollér for at se om kontakten er tilsluttet til en lyskontakt, som slår strømmen fra, når du slukker for lysene.
  - ◆ Flyt opladeren og batteripakken til et sted, hvor den omgivende lufttemperatur er ca. 18° - 24°C.
  - ◆ Hvis der stadig er opladningsproblemer, tag apparatet, batteripakken og opladeren til dit lokale servicecenter.
- ◆ Batteripakken skal genoplades, når den ikke giver tilstrækkelig strøm til de opgaver, som tidligere let blev udført. FORTSÆT IKKE med at bruge den under disse forhold. Følg opladningsproceduren. Du kan også oplade en delvist brugt pakke, når du ønsker det uden nogen negativ indflydelse på batteripakken.
- ◆ Fremmede materialer af en ledende art som for eksempel, men ikke begrænset til ståluld, aluminiumsfolie eller anden koncentration af metalliske partikler skal holdes på afstand af opladerens huller. Tag altid stikket til opladeren ud fra kontakten, når der ikke er indsat en batteripakke. Tag stikket til opladeren ud før forsøg på at rengøre den.

## Anvendelse

### Opladning af batteriet

Batteriet skal oplades inden ibrugtagningen, og når det ikke leverer strøm nok til opgaver, der tidligere kunne udføres ubesværet.

Batteriet kan blive varmt under opladningen. Det er normalt og ikke tegn på problemer.

**Advarsel!** Oplad ikke batteriet ved omgivende temperaturer på under 10 °C eller over 40 °C. Den anbefalede opladningstemperatur er ca. 24 °C.

**Bemærk:** Opladeren oplader ikke et batteri, hvis dets temperatur er under ca. 10 °C eller over 40°C.

Batteriet bør blive siddende i laderen, som automatisk begynder opladningen, når batteriet opvarmes/afkøles.

- ◆ Indsæt opladeren i en passende udgang, før batteripakken indsættes.
- ◆ Indsæt batteripakken i opladeren.



Den grønne LED blinker for at vise, at batteriet oplades.



Når opladningen er færdig, vil det blive angivet af den grønne LED, som vil lyse konstant. Pakken er fuldt opladet og kan nu anvendes eller kan efterlades i opladeren.

**Advarsel!** Genopladede batterier så hurtigt som muligt efter brug, da batteriets levetid ellers kan blive stærkt formindsket.

### Fejlfinding af opladeren

Denne oplader er udviklet til at registrere visse problemer, der kan opstå med batteripakker eller strømkilden. Problemerne angives med et LED blink i forskellige mønstre.

### Dårligt batteri



Opladeren kan registrere et svagt eller beskadiget batteri. Det røde LED blinker i det mønstre, der er angivet på mærkaten. Hvis du ser dette dårlige batteriblinkmønster, forsæt ikke med at oplade batteriet. Returnér det til et servicecenter eller til et indsamlingssted til genbrug

- ◆ Frys ikke eller nedsænk opladeren i vand eller andre væsker.

**Advarsel!** Risiko for chok. Lad ikke nogen flydende væsker komme ind i opladeren. Forsøg aldrig at åbne batteripakken. Hvis batteripakkens plastikhus får brud eller revner, returner det til et servicecenter til genbrug.

### Isætning og afmontering af batteripakken fra apparatet

**Advarsel!** Sørg for, at låseknappen ikke er aktiveret, for at forhindre utilsigtet aktivering af startknappen inden afmontering eller isætning af et batteri.

### Sådan installeres batteripakken

Indsæt batteriet (A1) i apparatet, indtil der høres et klik (figur A). Sørg for at batteripakken er helt skubbet ind og låst i position.

### Sådan udtages batteripakken

Tryk batteriets udløserknop (B1) ned som vist i figur B og træk batteripakken ud af apparatet.

### Funktion

**Advarsel!** Læs afsnittet med titlen Sikkerhedsadvarsler for sømpistol i begyndelsen af denne vejledning. Bær altid sikkerhedsbriller og høreværn under arbejde med dette værktøj. Sørg for at sømpistolen vender væk fra dig selv og andre. For sikker drift, afslut følgende procedurer og kontroller før hver anvendelse af sømpistolen.

**Advarsel!** For at mindske risikoen for personskade, frakobl batteripakken fra værktøjet og aktiver udløserens sikkerheds-lås, før du udfører vedligeholdelse, udtagning af fastklemte søm, forlader arbejdsområdet, flytter værktøjet til et andet sted eller afleverer værktøjet til en anden person.

**Advarsel!** Hold fingrene PÅ AFSTAND af udløseren, når der ikke køres søm for at undgå utilsigtet affyring. Bær aldrig værktøjet med en finger på udløseren.

- ◆ Bær korrekte sikkerhedsbriller, høre- og åndedrætsværn.
- ◆ Tag batteripakken ud af værktøjet og aktiver udløserens sikkerheds-lås.
- ◆ Lås nedstopperen i den bageste position og fjern alle sømbånd fra magasinet.
- ◆ Kontroller for smidig og korrekt drift af kontaktudløser og nedstoppersamlinger. Brug ikke værktøjet, hvis en af samlingerne ikke fungerer korrekt.
- ◆ Brug aldrig et værktøj med beskadigede dele.

### Sådan anvendes sømpistolen

**Advarsel!** Kontaktudløseren skal være trykket ned efterfulgt af et komplet udløserstød for hvert søm, efterfulgt af en udløsing af kontaktudløseren og udløseren efter hvert søm.

**Advarsel!** Batteriet skal altid være fjernet, og udløserikkerhedslåsen skal være aktiveret, når eventuelle justeringer er foretaget, eller når værktøjet ikke er i brug.

- ◆ Tryk kontaktudløseren helt mod arbejdsoverfladen.
- ◆ Træk udløseren helt ud, og motoren vil starte. (Søm vil blive hamret ind i arbejdsoverfladen).
- ◆ Slip udløseren.
- ◆ Løft kontaktudløseren op fra arbejdsoverfladen.
- ◆ Gentag ovenstående 4 trin for den næste opgave

### Forberedelse af værktøjet

**Advarsel!** Spray ALDRIG eller anvend på nogen måde olie, smøremidler eller rengøringsmidler inde i værktøjet. Dette kan få en alvorlig indvirkning på værktøjets levetid og ydeevne.

**Advarsel!** Batteriet skal altid være fjernet, og udløserikkerhedslåsen skal være aktiveret, når eventuelle justeringer er foretaget, eller når værktøjet ikke er i brug.

- ◆ Læs afsnittet om sikkerhedsinstruktioner i denne betjeningsvejledning.
- ◆ Bær sikkerhedsbriller og høreværn.
- ◆ Tag batteriet ud af værktøjet og oplad det helt.
- ◆ Kontroller at magasinet er helt tomt.
- ◆ Kontroller for smidig og korrekt drift af kontaktudløser og nedstoppersamlinger. Brug ikke værktøjet, hvis en af samlingerne ikke fungerer korrekt.
- ◆ Sørg for at sømpistolen vender væk fra dig selv og andre.
- ◆ Indsæt fuldt opladet batteripakke.

### Påfyldning af værktøjet

**Advarsel!** Sørg for at værktøjet vender væk fra dig selv og andre. Det kan resultere i alvorlig personskade.

**Advarsel!** Påfyld aldrig søm med aktiveret kontaktudløser eller udløser.

**Advarsel!** Tag altid batteripakken ud før påfyldning eller udtagning af søm.

**Advarsel!** Batteriet skal altid være fjernet, og udløserikkerhedslåsen skal være aktiveret, når eventuelle justeringer er foretaget, eller når værktøjet ikke er i brug.

**Advarsel!** Hold fingrene på afstand af nedstopperen for at forhindre personskade.

- ◆ Indsæt søm i bunden af magasinet (9).
- ◆ Træk nedstopperen (10) nedad, indtil sømfølgeren (C1) ligger bagved sømmene som vist i figur C.
- ◆ Slip nedstopperen (10).

### Tømning af værktøjet

**Advarsel!** Batteriet skal altid være fjernet, og udløserikkerhedslåsen skal være aktiveret, når eventuelle justeringer er foretaget, eller når værktøjet ikke er i brug.

- ◆ Tryk på nedstopperlåsens udløserknop (12).
- ◆ Skub sømmene manuelt imod bunden af magasinet (9).
- ◆ Åbn fastklemningslemmen (7) på næsestykket for at kontrollere, at der ikke er flere søm.



## Justeringsdybde (fig. D, E)

Den dybde, som sømmet hamres i, kan justeres ved hjælp af dybdejusteringshjulet (3) på siden af værktøjet.

**Advarsel!** For at mindske risikoen for alvorlig personskade ved utilsigtet aktivering under forsøg på justering af dybden, altid:

- ◆ Tag batteripakken ud.
- ◆ Aktiver udløssikkerhedslåsen.
- ◆ Undgå kontakt med udløseren under justeringer.

Dybdeindstillingerne findes på en glidende skala (4). Den venstre side angiver den dybeste, og den højre side angiver den laveste.

- ◆ Du hamrer et søm dybere ind ved at dreje dybdejusteringshjulet (3) nedad. Dette vil skubbe dybdejusteringsindikatoren (4) til venstre på skalaen.
- ◆ Du hamrer et søm lavere ind ved at dreje dybdejusteringshjulet (3) opad. Dette vil skubbe dybdejusteringsindikatoren (4) til højre på skalaen.

## Arbejdslys (fig. F)

Der findes arbejdslys (5) placeret på hver side af sømpistolen. Arbejdslys tændes ved tryk på kontaktudløseren.

**Bemærk:** Disse arbejdslys er til belysning af den aktuelle arbejdsoverflade og er ikke beregnet til brug som lommelygter.



## Indikator for lav batteristand:

Arbejdslysene vil blinke og derefter slukke helt for at indikere lavt batteri.



## Indikator for fastklemt søm:

Arbejdslysene vil blinke kontinuerligt, hvis et søm bliver klemt fast i næsestykket (se Udtagning af et fastklemt søm).

## Udløsning af fastlåsning (fig. G)

**Advarsel!** Hvis der opstår en fastlåsning, vil værktøjet deaktivere sig selv og vil kræve, at du nulstiller det. Du gør dette ved at følge instruktionerne for fjernelse af en fastlåsning. Næste skridt tag batteripakken ud og genindsæt den igen. Værktøjet vil nu blive driftsklar. Hvis sømpistolen anvendes til en krævede opgave, hvor al tilgængelig energi i motoren bruges til at hamre et søm i, kan værktøjet gå i stå. Indslåningsbladet afsluttede ikke kørselscyklussen, og indikatorlyset for blokering/fastlåsning vil blinke. Drej udløsergrebet (6) til at udløse fastlåsningen på værktøjet, og mekanismen udløses som vist i figur G.

**Bemærk!** Værktøjet vil deaktivere sig selv og vil ikke nulstille, før batteripakken er taget ud og genindsat. Hvis enheden fortsætter er fastlåst, skal du gennemgå længden på materialet og fastgørelsen for at sikre, at opgaven ikke er for hård. Hvis indslåningsbladet ikke automatisk vender tilbage til startpositionen efter drejning af udløsergrebet til fastlåsning, fortsæt til "udtagning af et fastklemt søm".



## Udtagning af et fastklemt søm (fig. H)

**Advarsel!** For at mindske risikoen for personskade, frakobl batteripakken fra værktøjet og aktiver udløssikkerhedslåsen, før du udfører vedligeholdelse eller udtagning af et fastklemt søm.

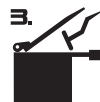
Hvis et søm sidder fast i næsestykket, hold værktøjet således at det peger væk fra dig og følg disse instruktioner for at fjerne det:

- ◆ Tag batteripakken ud af værktøjet og aktiver udløserens sikkerhedslås.



- ◆ Drej udløsergrebet (6) til at udløse fastlåsningen på værktøjet for at udløse indslåningsbladet og fjerne det fastklemt søm. Hvis værktøjet stadig sidder fast følg de 9 trin nedenfor:

- ◆ Træk nedstopperen nedad, indtil den låses på plads, vip derefter værktøjet over, så sømmene glide frit ud fra bunden af magasinet.



- ◆ Løft fastklemningslåsen (7) træk den derefter op for at åbne frontlemmen (14).
- ◆ Tag det bøjede søm ud, brug om nødvendigt tænger.
- ◆ Hvis indslåningsbladet er i positionen nede, indsæt en skruetrækker eller anden stang i næsestykket, og skub indslåningsbladet tilbage i position.
- ◆ Luk frontlemmen og aktiver ledningsformen (13) under de to arme (15) på kontaktudløseren. Skub fastklemningslåsen ned (7), indtil den låser på plads.
- ◆ Læg igen søm i magasinet (se Fyldning af værktøjet).
- ◆ Træk nedstopperen (10) nedad, indtil sømfølgeren (C1) ligger bagved sømmene som vist i figur C.
- ◆ Sæt igen batteripakken i.
- ◆ Deaktiver udløssikkerhedslåsen (2), der tillader aktivering af udløseren.

**Advarsel!**Hvis der opstår en fastklemning, vil værktøjet deaktivere sig selv og vil kræve, at du nulstiller det. Du gør dette ved at følge instruktionerne om fjernelse af et fastklemt søm. Næste skridt tag batteripakken ud og genindsæt den igen. Værktøjet vil nu blive driftsklar.

**Bemærk!**Hvis sømmene fortsat hyppigt klemmes fast i kontaktudløseren, få værktøjet serviceret hos et autoriseret Stanley Fat Max servicecenter.

## Drift i koldt vejr

Ved betjening af værktøjer ved temperaturer under frysepunktet:

- ◆ Hold værktøjet så varmt som muligt før brug.
- ◆ Aktiver værktøjet 5 eller 6 gange i skrotdømmer før brug.

## Drift i varmt vejr

Værktøjet bør fungere normalt. Du skal dog sørge for at holde værktøjet ude af direkte sollys, da stærk varme kan forringe stødfangere og andre gummidelle og resultere i øget vedligeholdelse.

## Bæltekrog (fig. I-J)

**Advarsel!**Tag sømmene ud af magasinet før du foretager justeringer eller udfører service af dette værktøj. I modsat fald kan der opstå alvorlige personskader.

- ◆ Tag batteripakken ud af værktøjet og aktiver udløserens sikkerhedslås.
- ◆ Fjern med en skruetrækker skruen fra ophængskrogens hulrum i bunden af værktøjet (16).
- ◆ Placer den forreste læbe på ophængskrogen (11) i hulrummet i bunden af værktøjet (16) som vist i figur I.
- ◆ Fastgør ophængskrogen (11) med den medfølgende skrue (17) og stram med en skruetrækker som vist i figur J.
- ◆ Udskift batteripakken.

## Reserve dele

**Advarsel!**For at mindske risikoen for personskade, frakobl batteripakken fra værktøjet og aktiver udløserens sikkerhedslås, før du udfører vedligeholdelse eller udtagning af et fastklemt søm.

Værktøjet leveres med et ekstra intet mærke spids placeret på siden af sømmagasinet.

- ◆ For at udskifte intet mærke spidsen, skal du blot trække den gamle intet mærke spids ud og montere den nye intet mærke spids på kontaktudløseren.

Brug udelukkende identiske udskiftingsdele. For en reservedelsliste eller bestilling af dele, besøg vores servicewebsted på [www.stanley.eu/3co.uk](http://www.stanley.eu/3co.uk). Du kan også bestille reservedele fra din nærmeste

Stanley Fat Max Factory servicecenter eller Stanley Fat Max autoriseret garanti.

## Problemløsning

Hvis dit værktøj ikke fungerer korrekt, følg nedenstående instruktioner.

Hvis dette ikke løser problemet, bedes du kontakte det lokale Stanley Fat Max-værksted.

**Advarsel!** Træk stikket ud af stikkontakten, før du fortsætter.

Problem	Mulig årsag	Mulig løsning
Enheden vil ikke starte.	Batteripakken er ikke installeret korrekt.	Kontroller installationen af batteripakken.
	Batteriet er ikke opladet	Kontroller kravene til opladning af batteriet.
	Udløserens sikkerhedslås er aktiveret.	Deaktiver udløserens sikkerhedslås.
Værktøjet aktiveres ikke (forlygter tændt, motor kører ikke)	Motor stopper med at køre efter 2 sekunder.	Normal drift, slip udløseren eller kontaktudløseren og tryk den igen ned.
Værktøjet aktiveres ikke. (forlygter blinker)	Lav batteriopladning eller ødelagt batteri.	Oplad eller udskift batteri.
Værktøjet aktiveres ikke. (forlygter blinker kontinuerligt)	Fastklemte søm / værktøjer er gået i stå.	Tag batteriet ud, drej udløsergrebet for at udløse fastlåsnings. Ryd det fastklemte søm og genindsæt batteripakken.
	Fastklemte mekanisme	Kontakt autoriseret servicecenter.
Værktøjet aktiveres ikke. ((forlygter tændt, motor kører, indslåningsbladet sidder fast)		Kontakt autoriseret servicecenter.
Værktøjet kører, men kører ikke sømmet helt ind.	Lav batteriopladning eller ødelagt batteri.	Oplad eller udskift batteri.
	Dybdejusteringsindstillingen for lav.	Drej dybdejusteringshjulet til en dybere indstilling.
	Værktøjet sidder ikke helt op til arbejdsområdet.	Læs betjeningsvejledningen.
	Materiale- og sømlængde er en for hård opgave.	Vælg passende materiale eller sømlængde.

## Vedligehold

Dit Stanley Fat Max-apparat med eller uden ledning er beregnet til brug gennem lang tid med et minimum af vedligeholdelse. Forsat tilfredsstillende drift afhænger af korrekt behandling af apparatet samt regelmæssig rengøring.

**Advarsel!** Sluk apparatet, og træk stikket ud, før der udføres rengøring.

- ◆ Snavs og fedt kan fjernes fra apparatets udvendige side med en klud.

**Advarsel!** Brug ALDRIG opløsningsmidler eller skrappe kemikalier til rengøring af ikke-metalliske dele af apparatet. Disse kemikalier kan svække de materialer, der anvendes i disse dele. Brug en klud, der kun er fugtet med vand og mild

sæbe. Lad aldrig væske trænge ind i enheden, og nedsænk aldrig nogen del af enheden i væske.

**Advarsel!** Spray ALDRIG eller anvend på nogen måde smøremidler eller rengøringsmidler inde i værktøjet. Dette kan få en alvorlig indvirkning på værktøjets levetid og ydeevne.

### Service noter

Dette produkt kan ikke serviceres af brugeren. Der findes ingen dele inde i sømpistolen, som kan serviceres. Servicing skal foretages af et autoriseret serviceværksted for at undgå beskadigelse af statisk følsomme indvendige komponenter.

### Miljøbeskyttelse



Særskil bortskaftelse. Produkter og batterier mærket med dette symbol må ikke bortskaftes sammen med normalt husholdningsaffald.

Produkter og batterier indeholder materialer, der kan blive gendannet eller genanvendt og således reducere efterspørgslen efter råvarer.

Genbrug venligst elektriske produkter og batterier i henhold til lokale regulativer. Yderligere informationer findes på [www.2helpU.com](http://www.2helpU.com)

### Tekniske data

		FMC792B Type:2
Spænding	$V_{DC}$	18
Batteritype		Li-Ion
Aktiveringsform		Sekventiel
Magasinvinkel		Lige
Tomgangshastighed	o/min.	9100
Kørselsenergi	ca	60J
Vægt (værktøjet alene)	kg	2.6

Søm		
Længde	mm	25 - 64
Skaftdiameter	mm	1.6
Vinkel		Lige

Oplader		90608625
Indgangsspænding	$V_{AC}$	230

Oplader		90608625
Udgangsspænding	$V_{DC}$	18
Strømstyrke	Ah	2.0
Ladetid ca.		1 t (2.0 Ah) 2 t (4.0 Ah)
Vægt (opladeren alene)	kg	0.45

Batteri		FMC687L	FMC688L
Spænding	$V_{AC}$	18	18
Kapacitet	Ah	2.0ah	4.0ah
Vægt	kg	0.35	0.67
Type		Li-Ion	Li-Ion

Lydtrykniveau, målt i overensstemmelse med EN 60745 - 1:

Lydtryk ( $L_{pA}$ ) 87 dB(A), usikkerhed (K) 1,5 dB(A)

Lydeffekt ( $L_{WA}$ ) 92 dB(A), usikkerhed (K) 2,5 dB(A)

Samlede værdier for vibration (triaksial vektorsum) i henhold til EN 60745 - 2 - 16:

Klammesøm ( $a_{h1}$ ) <2,5 m/s<sup>2</sup>, usikkerhed (K) 1,8 m/s<sup>2</sup>

### EF-overensstemmelseserklæring

MASKINDIREKTIV



FMC792B - Ledningsfri sømpistol

Stanley Fat Max erklærer, at produkterne beskrevet under "Tekniske data" er i overensstemmelse med:

EN60745-1: 2009 +A11:2010,

EN 60745 - 2 -16:2010

Disse produkter er endvidere i overensstemmelse med direktiv 2004/108/EF (indtil 19/04/2016) 2014/30/EU (fra 20/04/2016), 2006/42/EC og 2011/65/EU.

Kontakt Stanley Fat Max på nedenstående adresse, eller se vejledningens bagside for at få flere oplysninger.

Undertegnede er ansvarlig for kompilering af den tekniske fil og udsteder denne erklæring på vegne af Stanley Fat Max.



R. Laverick  
Direktør for konstruktioner  
Stanley Fat Max,  
210 Bath Road, Slough,  
Berkshire, SL1 3YD  
Storbritannien  
11/01/2016

## Käyttötarkoitus

Langanatan Stanley Fat Max FMC792B -naulauskone on tarkoitettu naulaamiseen. Laitte on tarkoitettu sekä ammatti- että yksityiskäyttöön.

## Turvallisuusohjeet

### Sähkötyökalujen yleiset turvavaroitukset



**Varoitus! Lue kaikki turvallisuusvaroitukset ja ohjeet.** Alla olevien varoitusten ja ohjeiden noudattamisen laiminlyönti saattaa johtaa sähköiskuun, tulipaloon ja/tai vakaavaan loukkaantumiseen.

### Säästä kaikki varoitukset ja ohjeet tulevaa käyttöä varten.

Ohjeissa käytetty käsite "sähkötyökalu" tarkoittaa verkkokäyttöisiä sähkötyökaluja (verkkojohdolla varustettuja) ja akkukäyttöisiä sähkötyökaluja (ilman verkkojohtoa).

#### 1. Työalueen turvallisuus

- Pidä työalue puhtaana ja hyvin valaistuna.**  
Onnettomuuksia sattuu herkemmin epäsiistissä tai huonosti valaistussa ympäristössä.
- Älä käytä sähkötyökalua räjähdysalttiissa ympäristössä, jossa on syttyvää nestettä, kaasua tai pölyä.** Sähkötyökalujen aiheuttamat kipinät voivat sytyttää pölyn tai kaasut.
- Pidä lapset ja sivulliset loitolla sähkötyökalua käyttäessäsi.** Keskeytymiskyvyn herpaantuminen voi aiheuttaa hallinnan menettämisen.

#### 2. Sähköturvallisuus

- Sähkötyökalun pistokkeen on sovittava pistorasiaan. Älä koskaan tee pistokkeeseen mitään muutoksia. Älä yhdistä maadoitettua sähkötyökalua jatkojohtoon.** Sähköiskun vaara vähenee, jos pistokkeisiin ei tehdä muutoksia ja ne yhdistetään vain niille tarkoitettuihin pistorasioihin.
- Vältä koskettamasta maadoitettuja pintoja, kuten putkia, lämpöpattereita, liesiä tai jääkaappeja.** Voit saada sähköiskun, jos kehosi on maadoitettu.
- Älä altista sähkötyökalua sateelle tai kosteudelle.** Sähkötyökaluun menevä vesi lisää sähköiskun vaaraa.
- Älä käsittele virtajohtoa kovakouraisesti. Älä kanna työkaluja sähköjohdosta tai vedä pistoketta pistorasiasta sähköjohdon avulla. Pidä sähköjohto kaukana kuumuudesta, öljystä, terävistä reunoista tai liikkuvista osista.** Vaurioituneet tai sokeutuneet johdot lisäävät sähköiskun vaaraa.
- Käyttäessäsi sähkötyökalua ulkona käytä ainoastaan ulkokäyttöön soveltuvaa jatkojohtoa.**

## Garanti

Stanley Fat Max er sikker på kvaliteten af sine produkter og giver forbrugerne en garanti på 12 måneder fra købsdatoen. Garantien er et tillæg til forbrugerens lovsikrede rettigheder og påvirker ikke disse. Garantien er gyldig inden for medlemsstaterne af Den Europæiske Union og Det Europæiske Frihandelsområde.

Når du gør krav på garantien, skal kravet være i overensstemmelse med Stanley Fat Max vilkår og betingelser, og du skal indsende dokumentation for købet til sælgeren eller til en autoriseret reparatør. Vilkår og betingelser for Stanley Fat Max 1 års garanti og placeringen af dit nærmeste autoriserede serviceværksted kan fås på internettet på [www.2helpU.com](http://www.2helpU.com), eller ved at kontakte dit lokale Stanley Fat Max kontor.

Besøg venligst vores websted [www.stanley.eu/3co.uk](http://www.stanley.eu/3co.uk) for at registrere dit nye Stanley Fat Max produkt og modtage opdateringer om nye produkter og specielle tilbud.

Ulkokäyttöön tarkoitettujen sähköjohdon käyttäminen vähentää sähköiskun vaaraa.

- f. **Jos sähkötyökäly on välttämättä käytettävä kosteassa paikassa, käytä vikavirtasuojalla (RCD) suojattua virtälähdettä.** Tämä vähentää sähköiskun vaaraa.
3. **Henkilöturvallisuus**
- a. **Ole valpas, keskity työhön ja noudata tervettä järjeä sähkötyökälyn käytössä.** Älä käytä tätä työkalua ollessasi väsynyt tai alkoholin, huumeiden tai lääkkeiden vaikutuksen alaisena. Keskeyttämisen herpaantuminen hetkeksikin sähkötyökälyä käytettäessä voi aiheuttaa vakavan henkilövahingon.
- b. **Käytä henkilökohtaisia suojavarusteita. Käytä aina suojalaseja.** Hengityssuojaimen, liukumattomien turvajalkineiden, kypärän ja kuulosuojaimen käyttäminen vähentää henkilövahinkojen vaaraa.
- c. **Vältä tahatonta käynnistämistä. Varmista, että virkityn on OFF-asenossa, ennen kuin liität laitteen virtälähteeseen ja/tai akkuun, nostat laitteen tai kannat sitä.** Sähkötyökälyn kantaminen sormi virtakytkimellä lisää onnettomuusvaaraa.
- d. **Irrota mahdollinen säätö- tai kiintoavain ennen kuin käynnistät sähkötyökälyn.** Sähkötyökälyn pyöriivään osaan kiinni jäänyt avain voi johtaa loukkaantumiseen.
- e. **Älä kurkotta. Huolehdi siitä, että sinulla on koko ajan tukeva jalansija ja hyvä tasapaino.** Näin voit hallita sähkötyökälyä paremmin odottamattomissa tilanteissa.
- f. **Käytä tarkoitukseen soveltuvia vaatteita. Älä käytä löysiä vaatteita tai koruja. Pidä hiukset, vaatteet ja kädet loitolla liikkuvista osista.** Löysät vaatteet, korut tai pitkät hiukset voivat tarttua liikkuviin osiin.
- g. **Jos työkalun voi liittää pölynimuriin, tarkista, että liitos on tehty asianmukaisesti ja että laitteita käytetään oikealla tavalla.** Pölyn ottaminen talteen voi vähentää pölyn aiheuttamia vaaroja.
4. **Sähkötyökälyn käyttö ja hoito**
- a. **Älä ylikuormita sähkötyökälyä. Valitse käyttötarkoituksen kannalta oikea sähkötyökäly.** Sähkötyökäly toimii paremmin ja turvallisemmin, kun sitä käytetään sille suunniteltuun käyttötarkoitukseen.
- b. **Älä käytä sähkötyökälyä, jota ei voida käynnistää ja pysäyttää virtakytkimestä.** Jos sähkötyökälyä ei voi hallita kytkimen avulla, se on vaarallinen ja se on korjattava.
- c. **Irrota pistotulppa pistorasiasta ja/tai akku laitteesta ennen kuin suoritat säätöjä, vaihdat tarvikkeita tai siirrä sähkötyökälyn varastoitavaksi.** Näin voit vähentää vahingossa käynnistämisen aiheuttaman henkilövahingon vaaraa.

- d. **Säilytä sähkötyökäly poissa lasten ulottuvilta, kun niitä ei käytetä. Älä anna sähkötyökälyä sellaisen henkilön käyttöön, joka ei tunne sitä tai joka ei ole tutustunut tähän käyttöohjeeseen.** Sähkötyökälyt ovat vaarallisia kouluttamattomien käyttäjien käsissä.
- e. **Hoida sähkötyökälysi huolella. Tarkista, että liikkuvat osat toimivat moitteettomasti ja etteivät ne ole puristuksessa.** Tarkista myös, ettei työkalussa ei ole murtuneita tai vahingoittuneita osia, jotka saattaisivat vaikuttaa haitallisesti sen toimintaan. Jos havaitset vaurioita, korjauta sähkötyökäly ennen niiden käyttämistä. Huonosti kunnossapidetyt sähkötyökälyt aiheuttavat onnettomuuksia.
- f. **Pidä leikkausterät terävinä ja puhtaina.** Kunnossa pidettyjen leikkaavia teräviä reunoja sisältävien työkalujen todennäköisyys jumiutua vähenee, ja niitä on helpompi hallita.
- g. **Käytä sähkötyökälyä, tarvikkeita, vaihtoteriä yms. näiden ohjeiden mukaisesti. Ota tällöin huomioon työolosuhteet ja suoritettava toimenpide.** Jos sähkötyökälyä käytetään näiden ohjeiden vastaisesti, voi syntyä vaaratilanne.

#### 5. Akkutyökälyn käyttö ja huolto

- a. **Lataa akku vain valmistajan määrittelemällä laturilla.** Laturi, joka on sopiva yhden tyyppiselle akulle, voi aiheuttaa tulipalon vaaran, jos sitä käytetään toisen tyyppisellä akulla.
- b. **Käytä sähkötyökälyssä ainoastaan kyseiseen sähkötyökälyyn tarkoitettua akkua.** Muun tyyppisen akun käyttö saattaa johtaa loukkaantumiseen ja tulipaloon.
- c. **Pidä irrallinen akku loitolla metalliesineistä, kuten paperiliittimistä, kolikoista, avaimista, nauloista, ruuveista tai muista pienistä metalliesineistä, jotka voivat aiheuttaa oikosulun akun navoissa.** Kennon pinteiden oikosulku voi aiheuttaa palovammoja tai tulipalon.
- d. **Väärin käytetystä akusta voi vuotaa nestettä. Älä kosketa sitä. Jos nesteen kanssa joutuu kosketuksiin, huuhtele vedellä. Jos nestettä joutuu silmiin, hakeudu lisäksi lääkärin hoitoon.** Akusta roiskunut neste saattaa aiheuttaa ärsytystä tai palovammoja.

#### 6. Huolto

- a. **Korjauta sähkötyökäly koulutetulla ja ammattitaitoisella henkilöllä ja hyväksy korjauksiin vain alkuperäisiä varaosia.** Tämä varmistaa sähkötyökälyn turvallisuuden.

#### Sähkötyökälyjen lisäturvavaroitukset

- ◆ **Käytä apukahvoja työkalun kanssa.**
- Hallinnan menetyks voi aiheuttaa henkilövahingon.**

- ◆ **Pitele sähkötyökäluä eristetyistä tartuntapinnoista, kun teet työtä, jossa leikkuuosa voi joutua koskeuksiin piilossa olevien sähköjohtojen kanssa.** Terien osuminen jännitteiseen johtoon tekee sen paljaista metaliosista jännitteisiä, joten käyttäjä voi saada sähköiskun.
- ◆ **Pitele sähkötyökäluä eristetyistä tartuntapinnoista, kun teet työtä, jossa kiinnitin voi joutua koskeuksiin piilossa olevien sähköjohtojen kanssa.** Kiinnittimien osuminen jännitteiseen johtoon tekee sen paljaista metaliosista jännitteisiä, joten käyttäjä voi saada sähköiskun.
- ◆ **Käytä puristimia tai muuta käytännöllistä tapaa kiinnittää ja tukea työkappale tukevalle alustalle.** Työn pitäminen käsin tai vartaloa vasten on epävakaata ja saattaa johtaa kontrolliin menetykseen.
- ◆ Ennen kuin poraat seiniä, lattioita tai kattoja, tarkista sähköjohtojen ja putkien sijainti.
- ◆ Älä koske terään heti poraamisen jälkeen. Terä saattaa olla kuuma.
- ◆ Tarkoitettu käyttö on kuvattu tässä käyttöohjeessa. Käytä työkalua ainoastaan sellaiseen työhön, johon se on tarkoitettu, ja käytä vain tässä käyttöohjeessa suositeltuja tarvikkeita ja lisälaitteita. Ohjeesta poikkeava käyttö voi aiheuttaa henkilö- ja/tai omaisuusvahinkoja.

## Muiden henkilöiden turvallisuus

- ◆ Lapset, fyysisesti, aistillisesti tai henkisesti puutteelliset tai kokemattomat ja kouluttamattomat henkilöt, jotka eivät tunne näitä ohjeita, eivät saa koskaan käyttää konetta.
- ◆ Paikalliset määräykset voivat asettaa käyttäjän ikärajoituksia.
- ◆ Älä koskaan käytä laitetta muiden henkilöiden (erityisesti lapsien) tai eläinten läheisyydessä.

## Langattomien naulauskoneiden lisäturvallisuusohjeet

- ◆ Käytä aina suojalaseja.
- ◆ Käytä aina kuulonsuojaimia.
- ◆ Käytä ainoastaan ohjekirjan määräyksien mukaisia kiinnittämiä.
- ◆ Älä käytä telineitä työkalun asettamiseksi tukeen.
- ◆ Älä irrota tai estä mitään naulauskoneen osaa, kuten kärkilaukaisinta.
- ◆ Tarkista ennen kutakin toimenpidettä, että turvallisuus- ja laukaisumeکانismi toimii virheettömästi ja että kaikki mutterit ja pultit ovat kireällä.
- ◆ Älä käytä laitetta vasarana.
- ◆ Älä käytä laitetta tikapuilla.
- ◆ Älä koskaan kohdista naulauskonetta itseesi tai muihin henkilöihin päihin.

- ◆ Pidä työkalua käytön aikana niin, ettei päähän tai kehoon voi tulla vahinkoja, jos mahdollinen energiansyötön häiriö tai vaikeat kohdat kappaleessa aiheuttavat laitteen potkaisun.
- ◆ Älä koskaan laukaise naulauskonetta vapaaseen tilaan.
- ◆ Kuljeta laite työalueelle ainoastaan yhtä kahvaa käyttäen, liipaisinta ei saa laukaista.
- ◆ Huomioi työalueen olosuhteet. Kiinnittimet voivat läpäistä ohueet työstökappaleet tai luisua työstökappaleen kulmista tai reunoista, olemassa on täten henkilövahinkovaara.
- ◆ Älä kiinnitä nauloja työstökappaleen reunan lähelle.
- ◆ Älä kiinnitä nauloja toisten kiinnittimien päälle.
- ◆ Toimi aina oletuspohjalta, että työkalussa on kiinnittimiä. Naulauskoneen huolimatons käsittely voi johtaa naulojen odottamattomaan laukaisemiseen ja henkilövahinkoihin.
- ◆ Älä osoita työkalulla itseäsi tai ketään lähetyillä olevaa henkilöä. Odottamaton laukaisemisen yhteydessä laitteesta sinkoaa naula, joka voi aiheuttaa henkilövahinkoja.
- ◆ Älä laukaise työkalua, ellei se ole tiiviisti työkappaletta vasten. Jos työkalu ei ole kiinni työkappaleessa, kiinnitin saattaa ponnahtaa irti kohteesta.
- ◆ Irrota työkalu virtalähteestä, jos kiinnitin juuttuu työkalun sisään. Kun poistat kiinni jääneen naulan, naulauskone voi kytkeytyä vahingossa päälle, jos se on liitetty sähköverkkoon.
- ◆ Älä käytä tätä työkalua sähkökaapeleiden kiinnittämiseen. Sitä ei ole tarkoitettu sähkökaapeleiden asentamiseen, vaan se voi vahingoittaa sähkökaapeleiden eristeitä ja aiheuttaa sähköiskun tai tulipalon vaaran.

## Jäännösriskit

Myös muut kuin turvavaroituksissa mainitut riskit ovat mahdollisia työkalua käytettäessä.

Nämä riskit voivat liittyä muun muassa virheelliseen tai pitkäaikaiseen käyttöön.

Tiettyjä jäännösriskejä ei voi välttää, vaikka noudat kaikkia turvamääräyksiä ja käytät turvalaitteita. Näitä ovat:

- ◆ Pyörivien tai liikkuvien osien koskettamisen aiheuttamat vahingot.
- ◆ Osia, terä tai lisävarusteita vaihdettaessa aiheutuneet vahingot.
- ◆ Työkalun pitkäaikaisen käytön aiheuttamat vahingot. Varmista, että pidät säännöllisesti taukoja työkalun pitkäaikaisen käytön aikana.
- ◆ Kuulon heikkeneminen.
- ◆ Työkalua käytettäessä (esimerkiksi puuta, erityisesti tammea, pyökkiiä ja MDF-levyjä käsiteltäessä) syntyneen pölyn sisäänhengityksen aiheuttamat terveysriskit.

## Tärinä

Teknisissä tiedoissa ja vaatimustenmukaisuusvakuutuksessa ilmoitettu tärinäpäästöarvo on mitattu EN50636-standardin testausmenetelmän mukaisesti, ja arvoa voi käyttää työkalujen keskinäiseen vertailuun. Ilmoitettua tärinäpäästöarvoa voi käyttää myös altistumisen alustavaan arviointiin.

**Varoitus!** Sähkötyökalun käytön aikana mitattu todellinen tärinäpäästöarvo voi poiketa ilmoitetusta tärinäpäästöarvosta työkalun käyttötavan mukaan. Tärinätasoa voi olla ilmoitettua tasoa suurempi.

Kun tärinälle altistumista arvioidaan sen määrittämiseksi, mitä direktiivin 2002/44/EY mukaisia turvatoimenpiteitä vaaditaan sähkötyökaluja säännöllisesti käyttävien henkilöiden suojelemiseksi, tärinälle altistumisen arvioinnissa on otettava huomioon todelliset käyttöolosuhteet ja työkalun käyttötavat. Todellisen käytön lisäksi on kiinnitettävä huomiota myös siihen, milloin työkalu on sammutettuna tai se käy tyhjäkäynnillä.

## Työkalun tarrat

Työkaluun on merkitty päivämääräkoodi sekä seuraavat varoitusmerkinnät:



**Varoitus!** Käyttäjän tulee lukea ohjekirja henkilövahinkojen välttämiseksi.



**Varoitus!** Käyttäjän tulee käyttää suojalaseja ja kuulonsuojaimia henkilövahinkojen välttämiseksi.



**Pidä kädet ja muut kehonosat pois työalueelta ja sen välittömästä läheisyydestä.**

## Akkuja ja laturia koskevat lisäturvaohjeet

### Akut

- ◆ Älä koskaan yritä avata mistään syystä.
- ◆ Älä anna akun kastua.
- ◆ Älä säilytä akkuja tiloissa, joissa lämpötila voi nousta yli 40 °C:een.
- ◆ Lataa akku paikassa, jonka lämpötila on vähintään +10 °C ja enintään +40 °C.
- ◆ Noudata akkujen hävittämisessä Ympäristönsuojelukohdassa esitetyjä ohjeita.
- ◆ Suojaa akkua vahingoittumiselta niin, ettei sen kotelo rikkoudu eikä siihen kohdistu iskuja, sillä muutoin voi syntyä henkilövahinkojen ja tulipalon vaara.
- ◆ Älä lataa viallisia akkuja.
- ◆ Vaativissa oloissa voi ilmetä paristovuotoja. Jos havaitset akkujen pinnalla nestettä, pyyhi se huolellisesti pois rievulla. Vältä ihokosketusta.
- ◆ Jos nestettä joutuu silmiin tai iholle, noudata jäljempänä

olevia ohjeita.

**Varoitus!** Akkuneste voi aiheuttaa aineellisia vahinkoja tai henkilövahinkoja. Jos nestettä joutuu iholle, se on välittömästi huuhdeltava pois vedellä. Jos ihoa kirvelee tai se punottaa tai on muuten ärtynyt, kysy lisäohjeita lääkäriltä. Jos nestettä joutuu silmiin, huuhto välittömästi puhtaalla vedellä ja mene lääkäriin.



Älä koskaan yritä ladata viallisia akkuja.

### Laturit

- ◆ Käytä ainoastaan Stanley Fat Max -laturia työkalun mukana toimitetun akun lataamiseksi. Muut akut voivat räjähtää ja aiheuttaa henkilövahinkoja tai aineellisia vahinkoja.
- ◆ Älä koskaan yritä ladata akkuja, joita ei ole tarkoitettu ladattaviksi.
- ◆ Vaihda vialliset johdot välittömästi ehjiin.
- ◆ Älä altista laturia vedelle.
- ◆ Älä avaa laturia.
- ◆ Älä työnnä mitään laturin sisään.

### Laturin symbolit



Laturi on tarkoitettu ainoastaan sisäkäyttöön.



Lue käyttöohjeet huolellisesti ennen laitteen käyttöä.

### Sähköturvallisuus



Muuntaja on kaksoiseristetty, joten erillistä maadoitusta ei tarvita. Tarkista aina, että verkkojännite vastaa arvokilvessä ilmoitettua jännitettä. Älä yritä korvata muuntajayksikköä tavallisella verkkopis- tokkeella.

### Yleiskuvasu

Tässä laitteessa on kaikki tai joitakin seuraavista ominaisuuksista.

1. Liipaisinkytkin
2. Lukituksen vapautuskytkin
3. Syvydensäätöpyörä
4. Syvyyden säädön merkkivalo
5. Työvalot/Alhaisen akkuvirran/kiinni jäämisen/leikkautumisen merkkivalo
6. Kiinni leikkautumisen vapautusvipu
7. Tukoksen poiston lukitus
8. Kärkilaukaisin
9. Lipas
10. Työntökappaleen lukitus
11. Vyökoukku

## 12. Työntökappaleen lukituksen vapautus

## Käyttö

## Akun lataaminen

Lataa akku ennen ensimmäistä käyttökertaa ja aina, kun se ei enää tuota riittävästi virtaa toimintoihin, jotka aiemmin sujuvat helposti.

Akku voi lämmetä ladattaessa. Tämä on normaalia, eikä se ole merkki mistään viasta.

**Varoitus!** Älä lataa akkua alle 10 °C tai yli 40 °C asteen lämpötilassa. Suositeltava latauslämpötila on 24 °C.

**Huomautus:** Laturi ei lataa akkua, jos akun kennon lämpötila on alle 10 °C tai yli 40 °C.

Akku tulee kuitenkin jättää laturiin. Laturi aloittaa lataamisen automaattisesti, kun kennon lämpötila nousee tai laskee riittävästi.

- ◆ Yhdistä laturi sopivaan pistorasiaan ennen kuin laitat siihen akun.
- ◆ Aseta akku laturiin.



Vihreä LED-merkkivalo vilkkuu käynnissä olevan latauksen merkiksi.



Kun lataus on valmis, vihreä LED-valo jää palamaan jatkuvasti. Akku on täysin ladattu ja sitä voidaan käyttää heti tai sen voi jättää laturiin.

**Varoitus!** Lataa tyhjenneet akut mahdollisimman pian käytön jälkeen, muutoin akun käyttöikä voi lyhentyä.

## Laturin vianmääritys

Tämä laturi on tarkoitettu havaitsemaan joitakin akkuun tai virtalähteeseen liittyviä ongelmia. Ongelmista ilmoittaa yksi eri tahtiin vilkkuva LED-merkkivalo.

## Viallinen akku



Laturi voi havaita heikkokuntoisen tai vaurioituneen akun. Punainen LED-merkkivalo vilkkuu merkissä ilmoitetulla tavalla. Jos näet tämän heikosta akun kunnosta ilmoittavan vilkkumisen, lopeta akun lataus. Vie se huoltopalveluun tai kierrätyspisteeseen.

## Akun kuuma-/kylmäviive



Kun laturi tunnistaa liian kuuman tai kylmän akun, se käynnistää automaattisesti akun kuuma-/kylmäviiveen, jolloin lataus käynnistyy vasta sitten, kun akku on saavuttanut oikean lämpötilan. Tämän jälkeen laturi kytketty automaattisesti akun lataustilaan. Tämä toiminto takaa akun maksimaalisen käyttöiän. Punainen LED-merkkivalo vilkkuu merkissä ilmoitetulla tavalla, kun kuuma-/kylmäviive on havaittu.

## Akun jättäminen laturiin

Akku voidaan jättää laturiin, kun merkkivalo palaa. Laturi pitää akun käyttövalmiina ja ladattuna.

## Tärkeitä huomautuksia lataamiseen

- ◆ Käyttöikä ja teho voidaan maksimoida, jos akkua ladataan ilman lämpötilassa 18 °C - 24 °C. Akkua EI SAA ladata alle +4,5 °C tai yli +40,5 °C ilman lämpötilassa. Tämä on tärkeää akun vakavien vaurioiden välttämiseksi.
- ◆ Laturi ja akku voivat kuumentua latauksen aikana. Tämä on normaalia, eikä ole osoitus ongelmasta. Jotta akku jäähtyisi käytön jälkeen, vältä asettamista laturia tai akkua lämpimään ympäristöön, kuten metallikoteloon tai eristämättömän perävaunun päälle.
- ◆ Jos akku ei lataudu oikein:
  - ◆ Tarkista pistorasian sähkövirta kytkemällä siihen lamppu tai jokin muu laite.
  - ◆ Tarkista valojen sammuttamisen yhteydessä virran katkaisevaa valokytintä liitetty pistorasiaan.
  - ◆ Siirrä laturi ja akku paikkaan, jossa ympäristölämpötila on noin 18 °C - 24 °C.
  - ◆ Jos latausongelmat jatkuvat, vie laite akun ja laturin ohella paikalliseen huoltopalveluun.
- ◆ Akku täytyy ladata uudelleen, kun se ei enää tuota riittävästi tehoa töissä, joka voitoin aikaisemmin tehdä helposti. ÄLÄ JATKA TYÖKALUN KÄYTTÖÄ näissä olosuhteissa. Noudata latausohjeita. Voit halutessasi myös ladata osittain käytetyn akun milloin tahansa, ilman että siitä olisi haittaa akulle.
- ◆ Vieraat johtavat aineet, kuten teräsvilla, alumiinifolio tai metallihiukkaskertymät, niihin kuitenkin rajoittumatta, on pidettävä poissa laturin aukoista. Irrota laturi aina tehonsyötöstä, kun laturissa ei ole akkuyksikköä. Irrota laturi tehonsyötöstä ennen kuin yrität puhdistaa sitä.
- ◆ Älä pakasta tai upota veteen tai muihin nesteisiin.

**Varoitus!** Sähköiskuvaara. Älä päästä nestettä laturin sisään. Älä koskaan yritä avata akkuyksikköä mistään syystä. Jos akun muovikotelo rikkoutuu tai halkeaa, palauta se huoltopalveluun kierrätystä varten.



## Akun asentaminen ja poistaminen laitteesta

**Varoitus!** Varmista ennen akun irrottamista tai asentamista, että lukituspainike on pois päältä virtakytkimen tahattoman käytön estämiseksi.

## Akun asentaminen

Aseta akku (A1) laitteeseen, kunnes kuulet napsahduksen (kuva A). Varmista, että akku on kokonaan paikoillaan ja lukittu paikoilleen.

## Akun poistaminen

Paina akun vapautuspainiketta (B1) kuvan B mukaisesti ja vedä akku irti laitteesta.

## Käyttö

**Varoitus!** Lue tämän ohjekirjan alussa oleva osio Naulauskoneen turvallisuusvaroitukset. Käytä aina suojalaseja ja kuulonsuojaimia, kun käytät työkalua.

Vältä kohdistamasta naulauskonetta itseesi tai muihin päin. Turvallisuuden takaamiseksi noudata seuraavia ohjeita ja suorita seuraavat tarkistukset aina ennen naulauskoneen käyttämistä.

**Varoitus!** Jotta henkilövahingot vältettäisiin, irrota akku työkalusta ja kytkä liipaisimen lukitus päälle ennen huoltotoimenpiteitä, naulojen tukoksien poistoa, työalueelta poistumista, työkalun siirtoa muualle tai työkalun antamista toisille.

**Varoitus!** Vältä vahingossa tapahtuvat laukausit pitämällä sormet POISSA liipaisimelta, kun koneella ei naulata. Älä koskaan kuljeta työkalua sormi liipaisimella.

- ◆ Käytä asianmukaisia suojalaseja, kuulonsuojaimia ja hengityssuojaa.
- ◆ Poista akku työkalusta ja kytkä päälle liipaisimen lukitus.
- ◆ Lukitse työntökappale taka-asentoon ja poista kaikki naulat liipasta.
- ◆ Tarkista kärkilaukaisimen ja työntökappaleen virheetön ja tehokas toiminta. Älä käytä konetta, jos jokin niistä ei toimi oikein.
- ◆ Älä koskaan käytä työkalua, jossa on vaurioituneita osia.

## Naulauskoneen käyttö

**Varoitus!** Kärkilaukaisinta on painettava, jonka jälkeen liipaisimesta on vedettävä kunkin naulan kohdalla. Vapauta kunkin naulan jälkeen sekä kärkilaukaisin että liipaisin.

**Varoitus!** Akku tulee irrottaa ja liipaisimen lukitus kytkä päälle aina säätöjä tehdessä tai työkalun ollessa pois käytöstä.

- ◆ Paina kärkilaukaisin kokonaan työstökappaleen pintaa vasten.
- ◆ Vedä liipaisin pohjaan ja moottori käynnistyy. (naula kiinnittyy työstökappaleeseen).
- ◆ Vapauta liipaisin.
- ◆ Nosta kärkilaukaisin pois työstökappaleen pinnasta.
- ◆ Toista yllä kuvatut 4 vaihetta seuraavaan käyttökohteeseen.

## Työkalun valmistelu

**Varoitus!** ÄLÄ KOSKAAN suihkuta tai levitä muulla tavoin öljyä, voiteluaineita tai liuottimia työkalun sisälle. Tämä voi vaikuttaa huomattavasti työkalun käyttöikään ja tehoon.

**Varoitus!** Akku tulee irrottaa ja liipaisimen lukitus kytkä päälle aina säätöjä tehdessä tai työkalun ollessa pois käytöstä.

- ◆ Lue tämän ohjekirjan sisältämät turvallisuusohjeet.
- ◆ Käytä suojalaseja ja kuulonsuojaimia.
- ◆ Irrota akku työkalusta ja lataa se täyteen.
- ◆ Varmista, että lipas on tyhjennetty kiinnittimistä.
- ◆ Tarkista kärkilaukaisimen ja työntökappaleen virheetön ja tehokas toiminta. Älä käytä konetta, jos jokin niistä ei toimi oikein.
- ◆ Vältä kohdistamasta naulauskonetta itseesi tai muihin päin.
- ◆ Aseta täyteen ladattu akku paikoilleen.

## Työkalun lataaminen

**Varoitus!** Vältä kohdistamasta työkalua itseesi tai muihin päin. Se voi aiheuttaa vakavan henkilövahingon.

**Varoitus!** Älä koskaan lisää nauloja, kun kärkilaukaisin tai liipaisin on aktiivissa.

**Varoitus!** Irrota akku aina ennen naulojen lisäämistä tai poistamista.

**Varoitus!** Akku tulee irrottaa ja liipaisimen lukitus kytkä päälle aina säätöjä tehdessä tai työkalun ollessa pois käytöstä.

**Varoitus!** Pidä sormet kaukana työntökappaleesta henkilövahinkojen välttämiseksi.

- ◆ Aseta kiinnikkeet lipaan (9) alasaan.
- ◆ Vedä työntökappaletta (10) alaspäin, kunnes naulan seurain (C1) putoaa naulojen taakse kuvan C mukaisesti.
- ◆ Vapauta työntökappale (10).

## Naulojen poistaminen työkalusta

**Varoitus!** Akku tulee irrottaa ja liipaisimen lukitus kytkä päälle aina säätöjä tehdessä tai työkalun ollessa pois käytöstä.

- ◆ Paina työntökappaleen vapautuspainiketta (12).
- ◆ Liu'uta naulat manuaalisesti lipaan (9) alasaan kohti.
- ◆ Avaa suulakkeessa oleva tukoksen poistoluukku (7) tarkistaaksesi, ettei nauloja ole jäljellä.

## Syvyyden säätäminen (kuva D, E)

Naulan kiinnityssyvyyttä voidaan säätää työkalun sivussa olevalla syvyyden säätökielellä (3).

**Varoitus!** Toimi seuraavasti, jotta vahingossa tapahtuvan laukausin aiheuttamilla vammoilla vältyttäisiin syvyyden säätämisen aikana:

- ◆ Irrota akku.
- ◆ Kytke liipaisimen lukitus.
- ◆ Vältä koskettamasta liipaisimeen säätämisen aikana.

Syvyydasasetukset on merkitty liukuvaan asteikkoon (4). Vasen

puoli osoittaa syvimmän asetuksen ja oikea puoli vähemmän syvimmän asetuksen.

- ◆ Voit kiinnittää naulan syvemmälle kiertämällä syvyyden säätökiekkoa (3) alaspäin. Tällöin syvyyden ilmaisim (4) siirtyy asteikon vasemmalle puolelle.
- ◆ Voit kiinnittää naulan vähemmän syvälle kiertämällä syvyyden säätökiekkoa (3) ylöspäin. Tällöin syvyyden ilmaisim (4) siirtyy asteikon oikealle puolelle.

## Työvalot (kuva F)

Naulauskoneen molemmilla puolilla on työvalot (5).

Työvalot pyörivät, kun kärkilaukaisinta painetaan.

Huomautus: Työvalot on tarkoitettu välittömän työpinnan valaisuun eikä sitä ole tarkoitettu käytettäväksi taskulamppuna.



## Alhaisen akkuvirran merkkivalo:

Työvalot vilkkuvat ja sammuvat sitten kokonaan ilmoittaakseen alhaisesta akkuvirrasta.



## Juuttuneen naulan merkkivalo:

Työvalot vilkkuvat jatkuvasti, jos naula jää kiinni suolakkeeseen (ks. Kiinni jääneen naulan poistaminen).

## Kiinni leikkautumisen vapauttaminen (kuva G)

**Varoitus!** Jos työkalussa ilmenee leikkautuminen, työkalu poistuu käytöstä ja se on nollattava. Poista kiinni leikkautumisen tila noudattamalla seuraavia ohjeita. Irrota sen jälkeen akku ja aseta se takaisin paikoilleen. Työkalu on tällöin valmis käytettäväksi. Jos naulauskonetta käytetään vaativissa toimissa, joissa naulaamiseen käytetään moottorin kaikkia saatavilla olevaa energiaa, työkalu voi leikkautua kiinni.

Käyttöterä ei suorittanut loppuun käyttöjaksoa ja kiinni jäämisen/leikkautumisen merkkivalo vilkkuu. Käännä työkalun kiinni leikkautumisen vapautusvipua (6) ja mekanismi avautuu kuvan G mukaisesti.

Huomautus! Työkalu poistuu automaattisesti käytöstä eikä se nollaudu ennen kuin akku on poistettu ja asetettu uudelleen paikoilleen. Jos laite leikkautuu edelleen kiinni, tarkista materiaali ja naulan pituus varmistaaksesi, ettei käyttö ole liian vaativaa. Jos käyttöterä ei palaa automaattisesti lähtöasentoon kiinni leikkautumisen vapautusvivun kiertämisen jälkeen, noudata osion "Kiinni jääneen naulan poistaminen" ohjeita.



## Kiinni jääneen naulan poistaminen (kuva H)

**Varoitus!** Henkilövahinkojen välttämiseksi akku on irrotettava työkalusta ja liipaisimen lukitus on kytkettävä ennen huoltotöitä tai kiinni jääneen naulan poistamista.

Jos naula jää kiinni suolakkeeseen, pidä työkalu itsestäsi pois päin kohdistettuna ja toimi seuraavasti:

- ◆ Poista akku työkalusta ja kytke päälle liipaisimen lukitus.
- ◆ Kierrä työkalun kiinni leikkautumisen vapautusvipua (6) vapauttaaksesi käyttöterän ja poistaaksesi tukoksen. Jos työkalu on edelleen juuttunut kiinni, noudata seuraavaa 9 vaihetta:
- ◆ Vedä työntökappaletta alaspäin, kunnes se lukittuu paikoilleen. Kallista sitten työkalua niin, että naulat liukuvat vapaasti ulos lipkaan alaosasta.



- ◆ Nosta tukoksen poiston lukitusta (7) ja vedä se ylös etuluukun (14) avaamiseksi.
- ◆ Poista taipunut naula tarpeen mukaan pihtien avulla.
- ◆ Jos käyttöterä on ala-asennossa, laita ruuvimeisseli tai muu varsi kärkiosaan ja työnnä käyttöterä takaisin paikalleen.
- ◆ Sulje etuluukku ja kytke lankamalli (13) kärkilaukaisimen kahden varren (15) alapuolelle. Paina tukoksen poiston lukitusta (7) alas, kunnes se lukittuu paikoilleen.
- ◆ Aseta nauvoja naulakoteloon (ks. Työkalun lataaminen).
- ◆ Vedä työntökappaletta (10) alaspäin, kunnes naulan seurain (C1) putoaa naulojen taakse kuvan C mukaisesti.
- ◆ Aseta akku takaisin paikoilleen.
- ◆ Kytke liipaisimen lukitus (2) pois, jotta liipaisinta voitaisiin käyttää.

**Varoitus!** Jos työkalussa ilmenee tukos, työkalu poistuu käytöstä ja se on nollattava. Poista kiinni jäänyt naula noudattamalla seuraavia ohjeita. Irrota sen jälkeen akku ja aseta se takaisin paikoilleen. Työkalu on tällöin valmis käytettäväksi. Huomaa! Jos naulat jäävät usein kiinni kärkilaukaisimeen, vie työkalu valtuutettuun Stanley Fat Max -huoltopalveluun huoltoa varten.

## Käyttö alhaisessa lämpötilassa

Kun työkaluja käytetään pakkasella:

- ◆ Pidä työkalu mahdollisimman lämpimänä ennen käyttöä.
- ◆ Laukaise työkalu 5 tai 6 kertaa koekappaleeseen ennen varsinaista käyttöä.

## Käyttö korkeassa lämpötilassa

Työkalu toimii normaalisti. Pidä se kuitenkin poissa suorasta auringonvalosta, sillä liiallinen lämpö voi heikentää puskurien ja muiden kumiosien kuntoa, jolloin lisähuolto on tarpeen.

## Vyökoukku (kuva I-J)

**Varoitus!** Poista naulat lippaasta ennen työkalun säätämistä tai huoltamista. Jos näin ei menetellä seurauksena saattaa olla vakava tapaturma.

- ◆ Poista akku työkalusta ja kytkte päälle liipaisimen lukitus.
- ◆ Irrota ruuvi ruuvimeisselin avulla työkalun kannassa (16) olevasta ripustuskoukun syvennyksestä.
- ◆ Aseta ripustuskoukun (11) etuhuuli työkalun kannassa (16) olevaan syvennykseen kuvan I mukaisesti.
- ◆ Kiinnitä ripustuskoukku (11) toimitetulla ruuvilla (17) ja kiristä ruuvimeisselillä kuvan J mukaisesti.
- ◆ Aseta akku takaisin paikoilleen.

## Osien vaihtaminen

**Varoitus!** Henkilövahinkojen välttämiseksi akku on irrotettava työkalusta ja liipaisimen lukitus on kytkettävä ennen huoltotoimenpiteitä tai kiinni jääneen naulan poistamista.

Työkalun mukana toimitetaan ylimääräinen No-mar-terä, joka sijaitsee naulalippaan sivulla.

- ◆ Vaihda No-mar-alusta vetämällä vanha No-mar-alusta pois ja asentamalla uusi No-mar-alusta laukaisukärkeen.

Käytä ainoastaan samanlaisia osia. Katso osaluettelo tai tilaa osia huoltopalvelumme sivustolta osoitteesta [www.stanley.eu/3co.uk](http://www.stanley.eu/3co.uk). Voit tilata osia myös lähimmältä Stanley Fat Max Factory -huoltopalvelusta tai valtuutetusta Stanley Fat Max -takuupalvelusta.

## Vianetsintä

Jos laite ei näytä toimivan oikein, noudata seuraavia ohjeita.

Jos se ei auta, ota yhteys paikalliseen Stanley Fat Max -huoltoiliikeeseen.

**Varoitus!** Irrota laite pistorasiasta ennen jatkamista.

Ongelma	Mahdollinen syy	Mahdollinen ratkaisu
Laite ei käynnisty.	Akkua ei ole asennettu oikein.  Akku ei ole latautunut	Tarkista akun asennus  Tarkista akun latausvaatimukset.
	Liipaisimen lukitus on kytketty.	Kytke liipaisimen lukitus pois.
Työkalu ei laukaise nauloja. (Valot päällä, moottori ei käy)	Moottori pysähtyy 2 sekunnin jälkeen.	Normaali toiminta, vapauta liipaisin tai kärklaukaisin ja paina uudelleen.
Työkalu ei laukaise nauloja. (Valot vilkkuvat)	Alhainen akkuvirta tai vaurioitunut akku.	Lataa tai vaihda akku.

Ongelma	Mahdollinen syy	Mahdollinen ratkaisu
Työkalu ei laukaise nauloja. (Valot vilkkuvat jatkuvasti)	Naulan tukos / työkalu juuttunut kiinni.  Mekanismi on juuttunut kiinni	Irrota akku, kierrä kiinni leikkautumisen vapautusvipua. Poista kiinni juuttunut naula ja asenna akku takaisin.  Ota yhteyttä valtuutettuun huoltoon.
Työkalu ei toimi. (Valot palavat, moottori käy, käyttöterä kiinni alhaalla)		Ota yhteyttä valtuutettuun huoltoon.
Työkalu toimii, mutta se ei kiinnitä nauloja kokonaan.	Alhainen akkuvirta tai vaurioitunut akku.  Syyvyyasetus ei ole riittävän matala.  Työkalua ei paineta riittävän voimakkaasti työstökappaleeseen.  Materiaalin ja naulan pituus on liian vaativa.	Lataa tai vaihda akku.  Kierrä syyvyyden säätökierokko syvemmän asetuksen kohdalle.  Lue ohjekirja.  Valitse soveltuva materiaali tai oikea naulan pituus.

## Huolto

Verkkojohdolla varustettu tai verkkojohdoton Stanley Fat Max -laite-/työkalu on suunniteltu toimimaan mahdollisimman pitkään mahdollisimman vähällä huollolla. Oikealla huollolla ja säännöllisellä puhdistuksella työkalu/laite säilyttää suorituskykynsä.

**Varoitus!** Sammuta laite ja kytkte se irti virtalähteestä ennen puhdistusta.

- ◆ Poista laitteen pinnassa oleva lika ja rasva pyyhkimällä kostealla liinalla.

**Varoitus!** ÄLÄ KOSKAAN käytä laitteen muiden kuin metallisten osien puhdistukseen liuottimia tai muita voimakkaita kemikaaleja. Nämä kemikaalit voivat heikentää näissä osissa käytettyjä materiaaleja. Käytä vain vedellä ja miedolla pesuaineella kostutettua kangasta. Älä koskaan päästä nestettä valumaan laitteen sisään äläkä upota mitään laitteen osaa nesteeseen.

**Varoitus!** ÄLÄ KOSKAAN suihkuta tai levitä muulla tavoin voiteluaineita tai liuottimia työkalun sisälle. Tämä voi vaikuttaa huomattavasti työkalun käyttöikään ja tehoon.

## Huoltoilmoitukset

Tuote ei ole käyttäjän huollettavissa. Naulauskoneen sisällä ei ole mitään huollettavia osia. Huolto on jätettävä valtuutetun huoltokeskuksen tehtäväksi, jotta laitteen herkäät staattiset sisäkomponentit eivät vahingoitu.

## Ympäristönsuojelu



Toimita tämä laite erilliskeräykseen. Tällä symbolilla merkityjä tuotteita ja akkuja ei saa hävittää tavallisen koitalousjätteen mukana.

Tuotteissa ja akuissa on materiaaleja, jotka voidaan ottaa talteen tai kierrättää uudelleen käyttöä varten.  
Kierrätä sähkölaitteet ja akut paikallisten määräyksien mukaan. Lisätietoa on saatavilla osoitteessa [www.2helpU.com](http://www.2helpU.com)

### Tekniset tiedot

		FMC792B Tyyppi:2
Jännite	V <sub>DC</sub>	18
Akkutyyppi		Li-Ion
Käyttötila		Vain
Lipaskulma		Suora
Kuorittamaton nopeus	kierr./min	9100
Käyttöenergia	noin	60J
Paino (pelkkä työkalu)	kg	2,6

Kiinnittimet		
Pituus	mm	25 - 64
Varren halkaisija	mm	1,6
Kulma		Suora

Laturi		
90608625		
Syöttöjännite	V <sub>AC</sub>	230
Lähtöjännite	V <sub>DC</sub>	18
Virta	Ah	2,0
Arvioitu latausaika		1 h (2,0 Ah) 2 h (4,0 Ah)
Paino (pelkkä laturi)	kg	0,45

		FMC687L	FMC688L
Jännite	V <sub>AC</sub>	18	18
Teho	Ah	2.0ah	4.0ah
Paino	kg	0,35	0,67
Tyyppi		Li-Ion	Li-Ion

Äänenpainetaso standardin EN 60745 - 1 mukaan mitattuna:
Äänenpaine (L <sub>PA</sub> ) 87 dB(A), epävarmuus (K) 1,5 dB(A)
Äänitehotaso (L <sub>WA</sub> ) 92 dB(A), epävarmuus (K) 2,5 dB(A)

Tärinän kokonaisarvot (vektorisumma) standardin EN 60745 - 2 - 16 mukaisesti:
Niitit (a <sub>v</sub> ) 1,8 m/s <sup>2</sup> , epävarmuus (K) 1,8 m/s <sup>2</sup>

## EY-vaatimustenmukaisuusvakuutus

KONEDIREKTIIVI



FMC792B - Langaton naulauskone  
Stanley Fat Max ilmoittaa, että tuotteet, jotka on kuvattu kohdassa Tekniset tiedot, täyttävät seuraavien direktiivien vaatimukset:

EN60745-1: 2009 +A11:2010,

EN 60745 - 2 -16:2010

Nämä tuotteet täyttävät myös direktiivien 2004/108/EY (19.4.2016 saakka), 2014/30/EU (20.4.2016 alkaen), 2006/42/EC ja 2011/65/EU vaatimukset.

Lisätietoja saa ottamalla yhteyttä Stanley Fat Max -yhtiöön seuraavaan osoitteeseen. Tiedot ovat myös käyttöoppaan takakannessa.

Allekirjoittaja vastaa teknisistä tiedoista ja antaa tämän vakuutuksen seuraavan yhtiön puolesta:  
Stanley Fat Max.

R. Laverick  
Teknisen osaston johtaja  
Stanley Fat Max,  
210 Bath Road, Slough,  
Berkshire, SL1 3YD  
Iso-Britannia  
11.1.2016

## Takuu

Stanley Fat Max on vakuuttunut tuotteidensa korkeasta laadusta ja tarjoaa kuluttajille 12 kuukauden takuun, joka astuu voimaan ostopäivänä. Takuu on lisäksi kuluttajan laillisiin oikeuksiin eikä vaikuta niihin. Tämä takuu on voimassa kaikissa EU- ja ETA-maissa.

Edellytyksenä takuun saamiselle on, että vaade täyttää Stanley Fat Maxin ehdot ja että ostaja toimittaa ostotositteen jälleenmyyjälle tai valtuutetulle huoltoliikkeelle. Stanley Fat Maxin yhden vuoden takuun ehdot ja lähimmän valtuutetun korjauspalvelun yhteyshenkilöt ovat saatavilla osoitteessa [www.2helpU.com](http://www.2helpU.com) tai ottamalla yhteyttä paikalliseen Stanley Fat Maxin toimipisteeseen.

Käy verkkosivuiltamme osoitteessa [www.stanley.eu/3co.uk](http://www.stanley.eu/3co.uk) ja rekisteröi uusi Stanley Fat Max -tuotteesi. Sivuilta saat myös päivityksiä uusista tuotteista ja erikoistarjouksista.

## Προβλεπόμενη χρήση

Το καρφωτικό σας χωρίς καλώδιο Stanley Fat Max FMC792B έχει σχεδιαστεί για κάρφωμα. Αυτή η συσκευή προορίζεται για επαγγελματική και ιδιωτική, μη επαγγελματική χρήση.

## Οδηγίες ασφαλείας

### Γενικές προειδοποιήσεις ασφαλείας για ηλεκτρικά εργαλεία



**Προειδοποίηση!** Διαβάστε όλες τις προειδοποιήσεις ασφαλείας και όλες τις οδηγίες. Η μη τήρηση των παρακάτω προειδοποιήσεων και οδηγιών μπορεί να προκαλέσει ηλεκτροπληξία, πυρκαγιά και/ή σοβαρούς τραυματισμούς.

**Φυλάξτε όλες τις προειδοποιήσεις και τις οδηγίες για μελλοντική αναφορά.** Ο χαρακτηρισμός «ηλεκτρικό εργαλείο» που χρησιμοποιείται σε όλες τις παρακάτω προειδοποιήσεις αφορά τα εργαλεία που συνδέονται στην πρίζα (με καλώδιο) ή τα εργαλεία που λειτουργούν με μπαταρία (χωρίς καλώδιο).

### 1. Ασφάλεια χώρου εργασίας

- α. Διατηρείτε το χώρο που εργάζεστε καθαρό και καλά φωτισμένο. Οι ατακτοποιήτοι ή σκοτεινοί χώροι γίνονται αιτίες ατυχημάτων.
- β. Μη χρησιμοποιείτε ηλεκτρικά εργαλεία σε περιβάλλον όπου υπάρχει κίνδυνος έκρηξης, όπως με παρουσία εύφλεκτων υγρών, αερίων ή σκόνης. Τα ηλεκτρικά εργαλεία παράγουν σπινθήρες που μπορεί να προκαλέσουν ανάφλεξη της σκόνης ή των αναθυμιάσεων.
- γ. Όταν χρησιμοποιείτε ηλεκτρικό εργαλείο, κρατάτε τα παιδιά και άλλα άτομα μακριά. Παράγοντες που αποσπούν την προσοχή μπορεί να σας κάνουν να χάσετε τον έλεγχο.

### 2. Ασφαλής χρήση ηλεκτρικού ρεύματος

- α. Το φως του καλωδίου του ηλεκτρικού εργαλείου πρέπει να ταιριάζει στην αντίστοιχη πρίζα. Σε καμία περίπτωση μην τροποποιήσετε το φως με κανένα τρόπο. Μη χρησιμοποιείτε προσαρμοστικά φως με γειωμένα ηλεκτρικά εργαλεία. Τα φως που δεν έχουν υποστεί τροποποιήσεις και οι κατάλληλες πρίζες μειώνουν τον κίνδυνο ηλεκτροπληξίας.
- β. Αποφεύγετε την επαφή του σώματός σας με γειωμένες επιφάνειες, όπως σωλήνες, καλοριφέρ, κουζίνες και ψυγεία. Υπάρχει αυξημένος κίνδυνος ηλεκτροπληξίας αν το σώμα σας είναι γειωμένο.
- γ. Μην εκθέτετε τα ηλεκτρικά εργαλεία σε βροχή ή υγρασία. Η εισχώρηση νερού σε ηλεκτρικό εργαλείο αυξάνει τον κίνδυνο ηλεκτροπληξίας.
- δ. Μην κακομεταχειρίζεστε το καλώδιο.

- Μην χρησιμοποιείτε ποτέ το καλώδιο για να μεταφέρετε το εργαλείο, να το τραβήξετε ή να το αποσυνδέσετε από την πρίζα. Κρατάτε το καλώδιο μακριά από θερμότητα, λάδια, αιχμηρά άκρα ή κινούμενα μέρη. Τα καλώδια που έχουν υποστεί ζημιά ή είναι μπερδεμένα αυξάνουν τον κίνδυνο ηλεκτροπληξίας.
- ε. Όταν χρησιμοποιείτε ηλεκτρικό εργαλείο σε εξωτερικούς χώρους, να χρησιμοποιείτε πάντοτε καλώδιο επέκτασης κατάλληλο για εργασία σε εξωτερικούς χώρους. Η χρήση καλωδίου κατάλληλου για εργασία σε εξωτερικούς χώρους μειώνει τον κίνδυνο ηλεκτροπληξίας.
- στ. Εάν είναι αναπόφευκτη η χρήση ενός ηλεκτρικού εργαλείου σε συνθήκες υγρασίας, χρησιμοποιήστε μια διάταξη προστασίας από ρεύμα διαρροής (RCD). Η χρήση μιας διάταξης RCD μειώνει τον κίνδυνο ηλεκτροπληξίας.
3. Προσωπική ασφάλεια
- α. Όταν χρησιμοποιείτε το ηλεκτρικό εργαλείο, να είστε προσεκτικοί, να δίνετε προσοχή στην εργασία που κάνετε και να πιστοκρατείτε την κοινή λογική. Μην χρησιμοποιείτε ηλεκτρικό εργαλείο όταν είστε κουρασμένος/ή ή υπό την επήρεια ναρκωτικών, οινοπνεύματος ή φαρμακευτικής αγωγής. Μια στιγμή απροσεξίας κατά τη χρήση ηλεκτρικών εργαλείων μπορεί να προκαλέσει σοβαρό τραυματισμό.
- β. Να χρησιμοποιείτε εξοπλισμό προσωπικής προστασίας. Πάντα φοράτε προστασία ματιών. Ο εξοπλισμός προστασίας, όπως μάσκα κατά της σκόνης, αντιολισθητικά παπούτσια ασφαλείας, κράνος ή προστασία ακοής, όταν χρησιμοποιείται για τις κατάλληλες συνθήκες, θα μειώσει τους τραυματισμούς και τις σωματικές βλάβες.
- γ. Αποτρέψτε την ακούσια ενεργοποίηση. Βεβαιωθείτε ότι ο διακόπτης βρίσκεται στη θέση απενεργοποίησης πριν συνδέσετε το εργαλείο στην πηγή ρεύματος και/ή τοποθετήσετε το πακέτο μπαταρίας, πριν πάρετε ή μεταφέρετε το εργαλείο. Η μεταφορά ηλεκτρικών εργαλείων με το δάχτυλο πάνω στο διακόπτη ή η σύνδεση στο ρεύμα ηλεκτρικών εργαλείων με το διακόπτη στη θέση ενεργοποίησης, ενέχει κινδύνους πρόκλησης ατυχημάτων.
- δ. Πριν θέσετε το ηλεκτρικό εργαλείο σε λειτουργία, αφαιρέστε τυχόν εργαλεία ή κλειδιά ρύθμισης. Αν παραμείνει μηχανικό κλειδί ή κλειδί ρύθμισης συνδεδεμένο σε περιστερεφόμενο εξάρτημα του ηλεκτρικού εργαλείου, αυτό μπορεί να έχει ως αποτέλεσμα τραυματισμό ατόμων.
- ε. Μην τεντώνετε υπερβολικά. Διατηρείτε πάντα σταθερή στήριξη στα πόδια σας και καλή ισορροπία. Έτσι μπορείτε να έχετε καλύτερο έλεγχο του ηλεκτρικού εργαλείου σε μη αναμενόμενες καταστάσεις.
- στ. Φοράτε κατάλληλη ενδυμασία εργασίας. Μην φοράτε ρούχα με χαλαρή εφαρμογή ούτε κοσμήματα. Κρατάτε τα μαλλιά, τα ρούχα και τα γάντια σας μακριά από κινούμενα μέρη. Τα χαλαρά ρούχα, τα κοσμήματα και τα μακριά μαλλιά μπορούν να πιαστούν σε κινούμενα μέρη.
- ζ. Αν παρέχονται εξαρτήματα σύνδεσης με διατάξεις αφαίρεσης και συλλογής της σκόνης, βεβαιωθείτε ότι συνδέονται και χρησιμοποιούνται σωστά. Η χρήση διατάξεων συλλογής της σκόνης μπορεί να μειώσει τους κινδύνους που προέρχονται από τη σκόνη.
4. Χρήση και φροντίδα ηλεκτρικών εργαλείων
- α. Μην υπερφορτώνετε το ηλεκτρικό εργαλείο. Χρησιμοποιείτε το κατάλληλο εργαλείο ανάλογα με την εφαρμογή. Το σωστό ηλεκτρικό εργαλείο θα εκτελέσει την εργασία καλύτερα και ασφαλέστερα, με την ένταση χρήσης για την οποία σχεδιάστηκε.
- β. Μην χρησιμοποιήσετε ηλεκτρικό εργαλείο αν ο διακόπτης του δεν μπορεί να το ενεργοποιεί και απενεργοποιεί. Ένα ηλεκτρικό εργαλείο του οποίου η λειτουργία δεν μπορεί να ελεγχθεί με το διακόπτη είναι επικίνδυνο και πρέπει να επισκευαστεί.
- γ. Βγάλτε το φως από την πρίζα ή/και την μπαταρία από το ηλεκτρικό εργαλείο, πριν διεξάγετε οποιαδήποτε ρύθμιση, αλλαγή εξαρτήματος ή όταν πρόκειται να αποθηκεύσετε τα ηλεκτρικά εργαλεία. Τέτοια προληπτικά μέτρα ασφαλείας μειώνουν το κίνδυνο αθέλητης εκκίνησης του ηλεκτρικού εργαλείου.
- δ. Να φυλάσσετε μακριά από παιδιά τα ηλεκτρικά εργαλεία που δεν χρησιμοποιείτε. Μην αφήνετε να χρησιμοποιήσουν ηλεκτρικό εργαλείο άτομα που δεν είναι εξοικειωμένα με αυτό ή άτομα που δεν έχουν διαβάσει αυτές τις οδηγίες χρήσης. Τα ηλεκτρικά εργαλεία είναι επικίνδυνα στα χέρια μη εκπαιδευμένων χρηστών.
- ε. Να συντηρείτε τα ηλεκτρικά εργαλεία. Ελέγχετε για προβλήματα ευθυγράμμισης ή μάγκωμα των κινούμενων εξαρτημάτων, θραύση εξαρτημάτων, καθώς και για οποιοδήποτε άλλο πρόβλημα μπορεί να επηρεάσει τη λειτουργία των ηλεκτρικών εργαλείων. Αν το εργαλείο έχει υποστεί ζημιά, φροντίστε να επισκευαστεί πριν το χρησιμοποιήσετε. Η ανεπαρκής συντήρηση των ηλεκτρικών εργαλείων αποτελεί αιτία πολλών ατυχημάτων.
- στ. Διατηρείτε τα κοπτικά εργαλεία κοφτερά και καθαρά. Τα κοπτικά εργαλεία με αιχμηρά κοπτικά άκρα που συντηρούνται σωστά έχουν λιγότερες πιθανότητες να μπλοκάρουν και ελέγχονται ευκολότερα.
- ζ. Να χρησιμοποιείτε το ηλεκτρικό εργαλείο, τα αξεσουάρ και τις μύτες των εργαλείων κλπ. σύμφωνα με τις παρούσες οδηγίες, λαμβάνοντας υπόψη σας τις συνθήκες εργασίας και την εργασία που θέλετε να εκτελέσετε.

Η χρήση του ηλεκτρικού εργαλείου για εργασίες διαφορετικές από τις προβλεπόμενες θα μπορούσε να οδηγήσει σε επικίνδυνη κατάσταση.

5. **Χρήση και φροντίδα εργαλείων μπαταρίας**
- α. **Να επαναφορτίζετε μόνο με το φορτιστή που καθορίζει ο κατασκευαστής.** Ένας φορτιστής που είναι κατάλληλος για ένα τύπο πακέτου μπαταρίας μπορεί να δημιουργήσει κίνδυνο πυρκαγιάς όταν χρησιμοποιείται με άλλο πακέτο μπαταρίας.
- β. **Χρησιμοποιείτε τα ηλεκτρικά εργαλεία αποκλειστικά και μόνο με τα καθοριζόμενα πακέτα μπαταριών.** Η χρήση άλλων πακέτων μπαταριών μπορεί να προκαλέσει κίνδυνο τραυματισμού και πυρκαγιάς.
- γ. **Όταν το πακέτο μπαταρίας δεν χρησιμοποιείται, κρατάτε το μακριά από άλλα μεταλλικά αντικείμενα, όπως συνδετήρες, κέρματα, κλειδιά, καρφιά, βίδες ή άλλα μικρά μεταλλικά αντικείμενα που μπορούν να βραχυκυκλώσουν τους δύο ακροδέκτες του.** Εάν βραχυκυκλώσουν οι ακροδέκτες της μπαταρίας, μπορεί να προκληθούν εγκαύματα ή πυρκαγιά.
- δ. **Αν οι μπαταρίες υποστούν κακομεταχείριση, μπορεί να διαρρεύσει υγρό. Αποφύγετε την επαφή. Αν κατά λάθος έρθετε σε επαφή, ξεπλύνετε με νερό. Σε περίπτωση που το υγρό έλθει σε επαφή με τα μάτια σας, ζητήστε επιπλέον και ιατρική βοήθεια.** Το υγρό που εξέρχεται από την μπαταρία μπορεί να προκαλέσει ερεθισμό ή εγκαύματα.
6. **Σέρβις**
- α. **Το σέρβις του ηλεκτρικού σας εργαλείου πρέπει να αναλαμβάνει έμπειρος τεχνικός που θα χρησιμοποιεί μόνο γνήσια ανταλλακτικά.** Έτσι θα εξασφαλίσετε τη διατήρηση της ασφάλειας του ηλεκτρικού εργαλείου.

### Πρόσθετες προειδοποιήσεις ασφαλείας για ηλεκτρικά εργαλεία

- ◆ Χρησιμοποιείτε τις βοηθητικές λαβές που παρέχονται μαζί με το εργαλείο. Η απώλεια ελέγχου μπορεί να προκαλέσει σωματική βλάβη.
- ◆ Κρατάτε το ηλεκτρικό εργαλείο από τις μονωμένες επιφάνειες συγκράτησης όταν εκτελείτε κάποια εργασία κατά την οποία το εξάρτημα κοπής μπορεί να έρθει σε επαφή με κρυμμένα καλώδια. Αν αξεσουάρ κοπής έρθει σε επαφή με καλώδιο υπό τάση, μπορεί να θεθούν υπό ηλεκτρική τάση και τα εκτεθειμένα μεταλλικά μέρη του ηλεκτρικού εργαλείου και να προκληθεί ηλεκτροπληξία στο χειριστή.
- ◆ Κρατάτε το ηλεκτρικό εργαλείο από τις μονωμένες επιφάνειες συγκράτησης όταν εκτελείτε κάποια εργασία κατά την οποία η βίδα μπορεί να έρθει σε επαφή με κρυμμένα καλώδια.

Αν η βίδα έρθει σε επαφή με καλώδιο υπό τάση μπορεί να θεθούν υπό ηλεκτρική τάση και τα εκτεθειμένα μεταλλικά μέρη του ηλεκτρικού εργαλείου και να προκληθεί ηλεκτροπληξία στο χειριστή.

- ◆ **Χρησιμοποιείτε σφιγκτήρες ή άλλο πρακτικό μέσο για να στερεώνετε και να στηρίζετε το τεμάχιο εργασίας σε σταθερό υπόβαθρο.** Αν κρατάτε το τεμάχιο εργασίας με το χέρι σας ή κόντρα στο σώμα σας, αυτό δεν είναι σταθερό και μπορεί να προκληθεί απώλεια ελέγχου.
- ◆ Πριν τη διάτρηση τοίχων, δαπέδων ή ταβανιών, ελέγχετε για τις θέσεις καλωδιώσεων και σωλήνων.
- ◆ Αποφύγετε να αγγίζετε την άκρη του τρυπανιού αμέσως μετά τη διάτρηση, καθώς μπορεί να καίει.
- ◆ Η προβλεπόμενη χρήση περιγράφεται στο παρόν εγχειρίδιο οδηγιών. Η χρήση οποιοσδήποτε αξεσουάρ ή προσαρτήματος ή η εκτέλεση οποιασδήποτε εργασίας με αυτό το εργαλείο διαφορετικής από αυτές που συστήνονται στο παρόν εγχειρίδιο οδηγιών ενδέχεται να εγκυμονεί κίνδυνο τραυματισμού και/ή ζημιάς σε ιδιοκτησία.

### Ασφάλεια τρίτων

- ◆ Σε καμία περίπτωση μην επιτρέψετε σε παιδιά, σε άτομα με μειωμένες σωματικές, αισθητηριακές ή διανοητικές ικανότητες ή με έλλειψη εμπειρίας και γνώσης ή σε άτομα μη εξοικειωμένα με τις παρούσες οδηγίες να χρησιμοποιήσουν το μηχάνημα,
- ◆ οι κανονισμοί που ισχύουν στην περιοχή σας μπορεί να επιβάλλουν περιορισμούς στην ηλικία του χειριστή.
- ◆ Μη χρησιμοποιείτε ποτέ τη μηχανή όταν υπάρχουν κοντά άνθρωποι και ιδιαίτερα παιδιά ή κατοικίδια ζώα.

### Πρόσθετες οδηγίες ασφαλείας για καρφωτικά χωρίς καλώδιο

- ◆ Να φοράτε πάντα γυαλιά ασφαλείας.
- ◆ Να φοράτε πάντα ωτασπίδες.
- ◆ Να χρησιμοποιείτε βίδες μόνο του τύπου που καθορίζεται στο εγχειρίδιο.
- ◆ Μη χρησιμοποιείτε σαντ για την τοποθέτηση του εργαλείου σε στήριξη.
- ◆ Μην αποσυναρμολογείτε ή εμποδίζετε τα μέρη του εργαλείου τοποθέτησης βιδών όπως ο ενεργοποιητής επαφής.
- ◆ Πριν από κάθε χρήση, ελέγξτε εάν η ασφάλεια και ο μηχανισμός πυροδότησης λειτουργούν κανονικά και όλες οι βίδες και τα παζιμάδια είναι σφικτά τοποθετημένα.
- ◆ Μη χρησιμοποιείτε το εργαλείο ως σφυρί.
- ◆ Μη χρησιμοποιείτε το εργαλείο επάνω σε σκάλα.
- ◆ Ποτέ μην στοχεύετε ένα εργαλείο τοποθέτησης βιδών σε εσάς ή σε κάποιο άλλο πρόσωπο.

- ◆ Ενώ εργάζεστε, κρατήστε το εργαλείο με τέτοιο τρόπο ώστε να μην μπορούν να προκληθούν τραυματισμοί στο κεφάλι ή το σώμα σας σε περίπτωση πιθανής ανάκρουσης λόγω διακοπής στην παροχή ρεύματος ή σκληρότερων περιοχών σε μία επιφάνεια εργασίας.
- ◆ Ποτέ μη λειτουργείτε το εργαλείο τοποθέτησης βιδών στο κενό.
- ◆ Στην περιοχή εργασίας, να κρατάτε πάντα το εργαλείο χρησιμοποιώντας μόνο τη μία λαβή και ποτέ με την σκανδάλη πατημένη.
- ◆ Αναλογιστείτε τις συνθήκες στον χώρο εργασίας. Οι βίδες μπορεί να διαπεράσουν τις λεπτές επιφάνειες ή να γλιστρήσουν από γωνίες και άκρες της επιφάνειας, με αποτέλεσμα να αποτελούν κίνδυνο για τους ανθρώπους.
- ◆ Μην τοποθετείτε βίδες κοντά στην άκρη της επιφάνειας εργασίας.
- ◆ Μην τοποθετείτε βίδες πάνω από άλλες βίδες.
- ◆ Να θεωρείτε πάντα ότι το εργαλείο περιέχει βίδες. Ο απρόσεκτος χειρισμός του καρφωτικού μπορεί να έχει ως συνέπεια μη αναμενόμενη βολή καρφιών και τραυματισμό.
- ◆ Μην κατευθύνετε το εργαλείο προς τα εσάς ή προς οποιονδήποτε γύρω σας. Η μη αναμενόμενη πυροδότηση θα προκαλέσει εξαγωγή του καρφιού προκαλώντας τραυματισμό.
- ◆ Μην ενεργοποιείτε το εργαλείο εκτός και αν έχει τοποθετηθεί σταθερά ως προς το κατεργαζόμενο τεμάχιο. Αν το εργαλείο δεν έρχεται σε επαφή, ο συνδετήρας ενδέχεται να εκτραπεί από το στόχο σας.
- ◆ Αποσυνδέστε το εργαλείο από την πηγή ισχύος σε περίπτωση που ο συνδετήρας παγιδευτεί στο εργαλείο. Όταν αφαιρείτε ένα καρφί που έχει σφηνώσει, το καρφωτικό μπορεί να ενεργοποιηθεί κατά λάθος αν είναι συνδεδεμένο στην πηγή ισχύος.
- ◆ Μη χρησιμοποιείτε αυτό το εργαλείο για τη στερέωση ηλεκτρικών καλωδίων. Δεν έχει σχεδιαστεί για εγκατάσταση ηλεκτρικών καλωδίων και ενδέχεται να προκαλέσει βλάβη στη μόνωση των ηλεκτρικών καλωδίων με αποτέλεσμα να προκληθεί ηλεκτροπληξία ή πυρκαγιά.

### Υπολειπόμενοι κίνδυνοι

Κατά τη χρήση του εργαλείου μπορεί να δημιουργηθούν πρόσθετοι υπολειπόμενοι κίνδυνοι, οι οποίοι ενδέχεται να μη συμπεριλαμβάνονται στις προειδοποιήσεις ασφαλείας που εσωκλείονται.

Αυτοί οι κίνδυνοι μπορεί να προκληθούν από κακή χρήση, παρατεταμένη χρήση κλπ.

Παρά την εφαρμογή των σχετικών κανονισμών ασφαλείας και τη χρήση διατάξεων ασφαλείας, ορισμένοι υπολειπόμενοι κίνδυνοι δεν είναι δυνατό να αποφευχθούν. Σ' αυτούς περιλαμβάνονται:

- ◆ Τραυματισμοί από επαφή με περιστρεφόμενα/κινούμενα μέρη.

- ◆ Τραυματισμοί κατά την αλλαγή οποιωνδήποτε εξαρτημάτων, λεπίδων ή αξεσουάρ.
- ◆ Σωματικές βλάβες από παρατεταμένη χρήση του εργαλείου. Όταν χρησιμοποιείτε οποιονδήποτε εργαλείο για παρατεταμένα χρονικά διαστήματα, μην παραλείπετε με κανένα τρόπο να κάνετε τακτικά διαλείμματα.
- ◆ Βλάβη της ακοής.
- ◆ Κίνδυνοι στην υγεία που προκαλούνται από την εισπνοή σκόνης, όταν χρησιμοποιείτε το εργαλείο (παραδείγματα: όταν επεξεργάζεστε ξύλο, ειδικά δρυ, οξιά και MDF.)

### Κραδασμοί

Η δηλωμένη τιμή εκπομπής κραδασμών που αναφέρεται στα τεχνικά χαρακτηριστικά και τη δήλωση συμμόρφωσης έχει μετρηθεί σύμφωνα με τυποποιημένο μέθοδο δοκιμής που προβλέπεται από το πρότυπο EN50636 και μπορεί να χρησιμοποιηθεί για τη σύγκριση ενός εργαλείου με ένα άλλο. Η δηλωμένη τιμή εκπομπής κραδασμών μπορεί επίσης να χρησιμοποιηθεί σε έναν προκαταρκτικό προσδιορισμό της έκθεσης σε κραδασμούς.

Προειδοποίηση! Η τιμή εκπομπής κραδασμών κατά την πραγματική χρήση του ηλεκτρικού εργαλείου μπορεί να διαφέρει από τη δηλωμένη τιμή, ανάλογα με τον τρόπο που χρησιμοποιείται το εργαλείο. Το επίπεδο κραδασμών μπορεί να αυξηθεί πάνω από το επίπεδο που έχει δηλωθεί. Κατά τον προσδιορισμό της έκθεσης σε κραδασμούς για τον καθορισμό των απαιτούμενων μέτρων ασφαλείας σύμφωνα με την οδηγία 2002/44/ΕΚ για την προστασία προσώπων που χρησιμοποιούν συχνά ηλεκτρικά εργαλεία στην εργασία τους, μια προσεγγιστική εκτίμηση της έκθεσης σε κραδασμούς πρέπει να λαμβάνει υπόψη τις πραγματικές συνθήκες χρήσης και τον τρόπο χρήσης του εργαλείου, συμπεριλαμβανομένων και όλων των επιμέρους τμημάτων του κύκλου εργασίας, όπως τα χρονικά διαστήματα που το εργαλείο ήταν εκτός λειτουργίας και τα διαστήματα λειτουργίας χωρίς φορτίο επιπλέον του χρόνου πίεσης της σκανδάλης.

### Ετικέτες πάνω στο εργαλείο

Το εργαλείο φέρει τα παρακάτω προειδοποιητικά σύμβολα μαζί με τον κωδικό ημερομηνίας:



**Προειδοποίηση!** Για να μειωθεί ο κίνδυνος τραυματισμού, ο χρήστης πρέπει να διαβάσει το εγχειρίδιο οδηγιών.



**Προειδοποίηση!** Για να μειωθεί ο κίνδυνος τραυματισμού, ο χρήστης πρέπει να φορά προστασία ακοής και ματιών.



Διατηρείτε τα χέρια και τα μέρη του σώματος σε απόσταση ασφαλείας από την άμεση περιοχή εργασίας.



## Πρόσθετες οδηγίες ασφαλείας για μπαταρίες και φορτιστές

### Μπαταρίες

- ◆ Ποτέ μην επιχειρήσετε να τις ανοίξετε, για κανένα λόγο.
- ◆ Μην εκθέτετε την μπαταρία σε νερό.
- ◆ Μην αποθηκεύετε σε θέσεις όπου η θερμοκρασία ενδέχεται να υπερβεί τους 40 °C.
- ◆ Η φόρτιση πρέπει να γίνεται μόνο σε θερμοκρασίες περιβάλλοντος μεταξύ 10 °C και 40 °C.
- ◆ Κατά την απόρριψη των μπαταριών, να ακολουθείτε τις οδηγίες που παρέχονται στην ενότητα «Προστασία του περιβάλλοντος».
- ◆ Μην καταστρέψετε/παράμορφωνετε την μπαταρία είτε τρυπώντας είτε χτυπώντας την, γιατί μπορεί να προκληθεί κίνδυνος τραυματισμού ή πυρκαγιάς.
- ◆ Μη φορτίζετε μπαταρίες που έχουν υποστεί ζημιά.
- ◆ Κάτω από ακραίες συνθήκες, μπορεί να επέλθει διαρροή υγρών της μπαταρίας. Αν παρατηρήσετε υγρό πάνω στις μπαταρίες, σκουπίστε το προσεκτικά με ένα πανί. Αποφύγετε την επαφή με το δέρμα.
- ◆ Στην περίπτωση επαφής με το δέρμα ή τα μάτια, ακολουθήστε τις παρακάτω οδηγίες.

**Προειδοποίηση!** Το υγρό της μπαταρίας μπορεί να προκαλέσει τραυματισμό ή υλικές ζημιές. Στην περίπτωση επαφής με το δέρμα, ξεπλύνετε αμέσως με άφθονο νερό. Αν παρουσιαστεί κοκκίνισμα του δέρματος, πόνος ή ερεθισμός, ζητήστε ιατρική βοήθεια. Στην περίπτωση επαφής με τα μάτια, ξεπλύνετε αμέσως με άφθονο καθαρό νερό και ζητήστε ιατρική βοήθεια.



Μην επιχειρήσετε να φορτίσετε μπαταρίες που έχουν υποστεί ζημιά.

### Φορτιστές

- ◆ Χρησιμοποιήστε μόνο τον φορτιστή σας Stanley Fat Max για να φορτίσετε την την μπαταρία που σας παρέχεται. Άλλες μπαταρίες ενδέχεται να σκάσουν, προκαλώντας τραυματισμό ατόμων και ζημιές.
- ◆ Μην επιχειρήσετε ποτέ να φορτίσετε μη επαναφορτιζόμενες μπαταρίες.
- ◆ Να φροντίζετε να αντικαθίστανται άμεσα τα καλώδια που έχουν υποστεί ζημιά.
- ◆ Μην εκθέτετε το φορτιστή σε νερό.
- ◆ Μην ανοίξετε το φορτιστή.
- ◆ Μην εισάγετε οποιαδήποτε αντικείμενα μέσα στο φορτιστή.

### Σύμβολα επάνω στο φορτιστή



Ο φορτιστής προορίζεται για χρήση μόνο σε εσωτερικούς χώρους.



Διαβάστε το εγχειρίδιο οδηγιών πριν τη χρήση.

### Ασφαλής χρήση ηλεκτρικού ρεύματος



Ο προσαρμογέας σας φέρει διπλή μόνωση, επομένως δεν απαιτείται σύρμα γείωσης. Ελέγχετε πάντα ότι η τάση ρεύματος δικτύου συμφωνεί με αυτήν που αναγράφεται στην πινακίδα τεχνικών χαρακτηριστικών. Ποτέ μην επιχειρείτε να αντικαταστήσετε τη μονάδα προσαρμογέα με έναν κανονικό ρευματολήπτη.

### Λειτουργίες

Η συσκευή αυτή διαθέτει μερικά ή όλα από τα παρακάτω χαρακτηριστικά.

1. Διακόπτης σκανδάλης
2. Διακόπτης απενεργοποίησης σκανδάλης
3. Τροχός ρύθμισης βάθους
4. Ένδειξη ρύθμισης βάθους
5. Ένδειξη εργασίας/χαμηλής τάσης μπαταρίας/ενσφώνωσης/εμπλοκής
6. Μοχλός απελευθέρωσης εμπλοκής
7. Μάνδαλο καθαρισμού ενσφώνωσης
8. Ενεργοποιητής επαφής
9. Γεμιστήρας
10. Ασφάλιση προωθητήρα
11. Άγκιστρο ζώνης
12. Απελευθέρωση της ασφάλισης του προωθητήρα

### Χρήση

#### Φόρτιση της μπαταρίας

Η μπαταρία πρέπει να φορτιστεί πριν την πρώτη χρήση και όταν δεν μπορεί να παρέχει επαρκή ισχύ σε εργασίες που πριν γινότουσαν εύκολα.

Η μπαταρία μπορεί να θερμαίνεται κατά τη φόρτιση. Κάτι τέτοιο είναι φυσιολογικό και δεν υποδηλώνει πρόβλημα.

**Προειδοποίηση!** Μη φορτίζετε την μπαταρία σε θερμοκρασίες περιβάλλοντος κάτω από 10 °C ή πάνω από 40 °C. Η συνιστώμενη θερμοκρασία φόρτισης είναι περίπου 24 °C.

**Σημείωση:** Ο φορτιστής δεν θα φορτίσει μια μπαταρία με θερμοκρασία κυψέλης κάτω από περίπου 10 °C ή πάνω από 40 °C.

Η μπαταρία θα πρέπει να μείνει στο φορτιστή και αυτός θα αρχίσει να τη φορτίζει αυτόματα μόλις η θερμοκρασία κυψέλης αυξηθεί ή μειωθεί αντίστοιχα.

- ◆ Συνδέστε το φορτιστή σε κατάλληλη πρίζα πριν τοποθετήσετε το πακέτο μπαταρίας.
- ◆ Εισάγετε το πακέτο μπαταρίας στο φορτιστή.



Η πράσινη λυχνία LED θα αναβοσβήνει υποδεικνύοντας ότι η μπαταρία φορτίζεται.



Η ολοκλήρωση της φόρτισης υποδεικνύεται όταν η κόκκινη φωτεινή ένδειξη παραμένει αναμμένη συνεχώς. Τότε το πακέτο είναι πλήρως φορτισμένο και μπορείτε να το χρησιμοποιήσετε ή να το αφήσετε τοποθετημένο στο φορτιστή.

**Προειδοποίηση!** Επαναφορτίζετε τις αποφορτισμένες μπαταρίες το συντομότερο δυνατόν μετά τη χρήση, διαφορετικά μπορεί να μειωθεί πολύ η διάρκεια ζωής τους.

### Διαγνωστικά φορτιστή

Αυτός ο φορτιστής έχει σχεδιαστεί ώστε να ανιχνεύει ορισμένα προβλήματα που μπορούν να προκύψουν με πακέτα μπαταριών ή με την πηγή ρεύματος. Τα προβλήματα υποδεικνύονται από μια λυχνία LED που αναβοσβήνει με διαφορετικό μοτίβο αναλαμπών.

### Προβληματική μπαταρία



Ο φορτιστής μπορεί να ανιχνεύσει ότι μια μπαταρία είναι εξασθενημένη ή έχει υποστεί ζημιά. Η κόκκινη λυχνία LED αναβοσβήνει με το μοτίβο αναλαμπών που υποδεικνύεται στην ετικέτα. Αν δείτε αυτό το μοτίβο αναλαμπών που αντιστοιχεί σε προβληματική μπαταρία, μη συνεχίσετε τη φόρτιση της μπαταρίας. Επιστρέψτε την σε κέντρο σέρβις ή σε θέση συλλογής για ανακύκλωση

### Καθυστερήση θερμού/ψυχρού πακέτου μπαταρίας



Αν ο φορτιστής ανιχνεύσει μπαταρία με υπερβολικά υψηλή ή χαμηλή θερμοκρασία, ξεκινά αυτόματα μια Καθυστερήση θερμού/ψυχρού πακέτου μπαταρίας, αναστέλλοντας τη φόρτιση έως ότου η μπαταρία έχει φθάσει σε κατάλληλη θερμοκρασία. Αφού συμβεί αυτό, ο φορτιστής μεταβαίνει αυτόματα σε λειτουργία φόρτισης του πακέτου. Αυτή η λειτουργία διασφαλίζει τη μέγιστη διάρκεια ζωής της μπαταρίας. Η κόκκινη λυχνία LED αναβοσβήνει με το μοτίβο αναλαμπών που υποδεικνύεται στην ετικέτα όταν ανιχνευτεί η καθυστέρηση θερμού/ψυχρού πακέτου μπαταρίας.

### Παραμονή της μπαταρίας στο φορτιστή

Ο φορτιστής και το πακέτο μπαταρίας μπορούν να παραμείνουν συνδεδεμένα με τη λυχνία LED αναμμένη επί αόριστον.

Ο φορτιστής θα διατηρήσει το πακέτο μπαταρίας σε βέλτιστη κατάσταση και πλήρως φορτισμένο.

### Σημαντικές επισημάνσεις για τη φόρτιση

- ◆ Μπορείτε να επιτύχετε την καλύτερη δυνατή διάρκεια ζωής και απόδοση εάν αλλάξετε το πακέτο μπαταριών σε θερμοκρασία μεταξύ 18° - 24°C. ΜΗΝ φορτίσετε το πακέτο μπαταρίας σε θερμοκρασίες αέρα που είναι μικρότερες από +4,5°C, ή μεγαλύτερες από +40,5°C. Αυτό είναι σημαντικό και θα αποτρέψει τη σοβαρή βλάβη του πακέτου μπαταριών.
- ◆ Ο φορτιστής και το πακέτο μπαταρίας μπορεί να θερμανθούν κατά τη φόρτιση. Αυτό είναι κανονικό φαινόμενο και όχι ένδειξη προβλήματος. Για να διευκολύνετε την ψύξη του πακέτου μπαταρίας μετά τη χρήση, αποφεύγετε να τοποθετείτε το φορτιστή ή το πακέτο μπαταρίας σε θερμό περιβάλλον, όπως σε μεταλλικό παράπηγμα ή σε μη μονωμένο τρέιλερ
- ◆ Αν το πακέτο μπαταρίας δεν φορτίζεται σωστά:
  - ◆ Ελέγξτε το ρεύμα στην πρίζα συνδέοντας ένα φωτιστικό ή άλλη ηλεκτρική συσκευή
  - ◆ Ελέγξτε μήπως η πρίζα συνδέεται σε διακόπτη φώτων που διακόπτει το ρεύμα όταν σβήνετε τα φώτα.
  - ◆ Μετακινήστε το φορτιστή και το πακέτο μπαταρίας σε θέση όπου η θερμοκρασία αέρα περιβάλλοντος είναι περίπου 18 °C - 24 °C.
  - ◆ Αν τα προβλήματα φόρτισης επιμένουν, παραδώστε τη συσκευή, το πακέτο μπαταρίας και το φορτιστή στο τοπικό σας κέντρο σέρβις.
  - ◆ Το πακέτο μπαταρίας πρέπει να επαναφορτίζεται όταν δεν είναι σε θέση να παράγει επαρκή ισχύ σε εργασίες που γίνοντουσαν εύκολα πιο πριν. ΜΗ ΣΥΝΕΧΙΣΕΤΕ τη χρήση υπό αυτές τις συνθήκες. Ακολουθήστε τη διαδικασία φόρτισης. Μπορείτε επίσης να φορτίσετε όποτε επιθυμείτε ένα πακέτο μπαταρίας που δεν έχει εξαντληθεί πλήρως, χωρίς αυτό να έχει αρνητικές συνέπειες στο πακέτο μπαταρίας.
  - ◆ Τα ξένα υλικά με αγωγίμες ιδιότητες, όπως είναι, αλλά χωρίς περιορισμό σε αυτά, το σύρμα τριψίματος, το αλουμινοχάρτι ή οποιοδήποτε συσώρευση μεταλλικών σωματιδίων, θα πρέπει να διατηρούνται μακριά από τις κοιλότητες του φορτιστή. Πάντα αποσυνδέετε το φορτιστή από την παροχή ρεύματος όταν δεν υπάρχει πακέτο μπαταριών στην κοιλότητα. Αποσυνδέετε το φορτιστή από την πρίζα πριν επιχειρήσετε να τον καθαρίσετε.
  - ◆ Μην παγώνετε ή βυθίζετε το φορτιστή σε νερό ή οποιοδήποτε άλλο υγρό.

**Προειδοποίηση!** Κίνδυνος ηλεκτροπληξίας. Μην επιτρέψετε να εισέλθει οποιοδήποτε υγρό μέσα στο φορτιστή.

Ποτέ μην επιχειρήσετε να ανοίξετε το πακέτο μπαταρίας για οποιοδήποτε λόγο. Αν το πλαστικό περίβλημα του πακέτου μπαταρίας σπάσει ή ραγίσει, επιστρέψτε το πακέτο σε κέντρο σέρβις για ανακύκλωση.

## Τοποθέτηση και αφαίρεση του πακέτου μπαταρίας από τη συσκευή

**Προειδοποίηση!** Βεβαιωθείτε ότι το κουμπί ασφάλισης δεν είναι ενεργοποιημένο, για να αποφύγετε ενεργοποίηση του διακόπτη πριν από την αφαίρεση ή την τοποθέτηση της μπαταρίας.

## Για την εγκατάσταση του πακέτου μπαταρίας

Εισαγάγετε την μπαταρία (A1) μέσα στη συσκευή έως όπου ακούσετε χαρακτηριστικό ήχο κλικ (Εικόνα Α). Βεβαιωθείτε ότι το πακέτο μπαταρίας έχει εδράσει πλήρως και έχει ασφαλίσει πλήρως στη θέση του.

## Για να αφαιρέσετε το πακέτο μπαταρίας

Πατήστε το κουμπί απελευθέρωσης της μπαταρίας (B1) όπως δείχνει η Εικόνα Β και τραβήξτε το πακέτο μπαταρίας έξω από τη συσκευή.

## Λειτουργία

**Προειδοποίηση!** Διαβάστε την ενότητα με τίτλο «Προειδοποιήσεις για την ασφάλεια του καρφωτικού» στην αρχή του παρόντος εγχειριδίου. Πάντα να φοράτε προστατευτικά γυαλιά οφθαλμών και ωτασπίδες όταν χρησιμοποιείτε αυτό το εργαλείο.

Να κρατάτε το καρφωτικό με κατεύθυνση μακριά από εσάς και άλλους. Για την ασφαλή λειτουργία του, ολοκληρώστε τις ακόλουθες διαδικασίες και ελέγξτε το πριν από κάθε χρήση του καρφωτικού.

**Προειδοποίηση!** Για να ελαττώσετε την πιθανότητα προσωπικού τραυματισμού, αποσυνδέστε το πακέτο μπαταριών από το εργαλείο και απασφαλίστε τη σκανδάλη πριν τη συντήρηση, τον καθαρισμό σφηνωμένων καρφιών, την έξοδο από την περιοχή εργασίας, τη μετακίνηση του εργαλείου σε διαφορετικό σημείο ή την παράδοση του εργαλείου σε τρίτο πρόσωπο.

**Προειδοποίηση!** Κρατήστε τα δάκτυλά σας ΜΑΚΡΙΑ από τη σκανδάλη όταν δεν τοποθετείτε καρφιά ώστε να αποφύγετε μία κατά λάθος πυροδότηση. Ποτέ μην κουβαλάτε το εργαλείο με το δάκτυλο στη σκανδάλη.

- ◆ Φοράτε κατάλληλα προστατευτικά ματιών, ακοής και αναπνοής.
- ◆ Αφαιρέστε το πακέτο μπαταριών από το εργαλείο και ενεργοποιήστε το κλειδί ασφαλείας.
- ◆ Κλειδώστε τον προωθητή στην οπίσθια θέση και αφαιρέστε όλα τα καρφιά από τον γεμιστήρα.
- ◆ Βεβαιωθείτε ότι ο ενεργοποιητής επαφής και ο προωθητήρας λειτουργούν ομαλά και ορθά. Μη χρησιμοποιείτε το εργαλείο εάν κάποιο από αυτά τα εξαρτήματα δε λειτουργεί σωστά.
- ◆ Ποτέ μη χρησιμοποιείτε ένα εργαλείο που έχουν υποστεί βλάβη τα εξαρτήματά του.

## Για να λειτουργήσετε το καρφωτικό

**Προειδοποίηση!** Ο ενεργοποιητής επαφής πρέπει να είναι αποσυμπιεσμένος, ακολουθούμενος από πλήρη πίεση για κάθε καρφή, ακολουθούμενο από διακοπή επαφής από τον ενεργοποιητή επαφής και τη σκανδάλη μετά από κάθε καρφή.

**Προειδοποίηση!** Η μπαταρία πρέπει πάντα να αφαιρείται και να ενεργοποιείται το κλειδί ασφαλείας όταν πραγματοποιούνται προσαρμογές ή όταν δε χρησιμοποιείται το εργαλείο.

- ◆ Αφαιρέστε πλήρως τον ενεργοποιητή επαφής από την επιφάνεια εργασίας.
- ◆ Πιέστε πλήρως τη σκανδάλη και θα εκκινήσει ο κινητήρας. (το καρφί θα εισέλθει στην επιφάνεια εργασίας).
- ◆ Απελευθερώστε τη σκανδάλη.
- ◆ Ανασηκώστε τον ενεργοποιητή επαφής από την επιφάνεια εργασίας.
- ◆ Επαναλάβετε αυτά τα 4 βήματα για την επόμενη εφαρμογή

## Προετοιμασία του εργαλείου

**Προειδοποίηση!** ΠΟΤΕ μην ψεκάσετε ή εφαρμόσετε με οποιοδήποτε άλλο τρόπο έλαια, λιπαντικά ή διαλύτες καθαρισμού στο εσωτερικό του εργαλείου. Αυτό μπορεί να επηρεάσει σημαντικά το χρόνο ζωής και την απόδοση του εργαλείου.

**Προειδοποίηση!** Η μπαταρία πρέπει πάντα να αφαιρείται και να ενεργοποιείται το κλειδί ασφαλείας όταν πραγματοποιούνται προσαρμογές ή όταν δε χρησιμοποιείται το εργαλείο.

- ◆ Διαβάστε την ενότητα Οδηγίες Ασφαλείας του παρόντος εγχειριδίου.
- ◆ Φορέστε προστατευτικό εξοπλισμό για τα μάτια και τα αυτιά.
- ◆ Αφαιρέστε την μπαταρία από το εργαλείο και φορτίστε την πλήρως.
- ◆ Βεβαιωθείτε ότι ο γεμιστήρας είναι άδειος από βίδες.
- ◆ Βεβαιωθείτε ότι ο ενεργοποιητής επαφής και ο προωθητήρας λειτουργούν ομαλά και ορθά. Μη χρησιμοποιείτε το εργαλείο εάν κάποιο από αυτά τα εξαρτήματα δε λειτουργεί σωστά.
- ◆ Να κρατάτε το εργαλείο με κατεύθυνση μακριά από εσάς και άλλους.
- ◆ Τοποθετήστε το πλήρως φορτισμένο πακέτο μπαταριών.

## Γέμισμα του εργαλείου

**Προειδοποίηση!** Να κρατάτε το εργαλείο με κατεύθυνση μακριά από εσάς και άλλους. Μπορεί να προκληθεί σοβαρός τραυματισμός.

**Προειδοποίηση!** Ποτέ μην τοποθετείτε καρφιά όταν είναι ενεργοποιημένος ο ενεργοποιητής επαφής ή η σκανδάλη.

**Προειδοποίηση!** Πάντοτε να αφαιρείτε το πακέτο μπαταριών πριν να γεμίσετε ή να αδειάσετε καρφιά.

**Προειδοποίηση!** Η μπαταρία πρέπει πάντα να αφαιρείται και να ενεργοποιείται το κλειδωμα σκανδάλης όταν πραγματοποιούνται προσαρμογές ή όταν δε χρησιμοποιείται το εργαλείο.

**Προειδοποίηση!** Κρατήστε τα δάκτυλά σας μακριά από τον προωθητή για τη αποφυγή τραυματισμών.

- ♦ Τοποθετήστε τις βίδες στο κάτω μέρος του γεμιστήρα (9).
- ♦ Τραβήξτε τον προωθητή (10) προς τα κάτω μέχρι να βρεθεί πίσω από τα καρφιά α ακολουθητής καρφιών (C1), όπως φαίνεται στην εικόνα C.
- ♦ Απελευθερώστε τον προωθητή (10).

## Αφαίρεση των καρφιών από το εργαλείο

**Προειδοποίηση!** Η μπαταρία πρέπει πάντα να αφαιρείται και να ενεργοποιείται το κλειδωμα σκανδάλης όταν πραγματοποιούνται προσαρμογές ή όταν δε χρησιμοποιείται το εργαλείο.

- ♦ Πιέστε το κουμπί απελευθέρωσης του μανδάλου του προωθητή (12).
- ♦ Πιέστε τα καρφιά με το χέρι προς το κάτω μέρος του γεμιστήρα (9).
- ♦ Ανοίξτε τη διάφανη θήρα εμπλοκής (7) στην υποδοχή εκτόξευσης ώστε να επιβεβαιώσετε ότι δεν απομένουν καρφιά.

## Προσαρμογή βάθους (εικ. D & E)

Το βάθος που εισέρχεται η βίδα μπορεί να προσαρμοστεί με τη χρήση του τροχού προσαρμογής βάθους (3) στην πλευρά του εργαλείου.

**Προειδοποίηση!** Για να ελαττώσετε τον κίνδυνο σοβαρούς τραυματισμού από κατά λάθος εκκίνηση όταν προσαρμόζετε το βάθος, πάντα να:

- ♦ Αφαιρείτε το πακέτο μπαταριών.
- ♦ Ενεργοποιείτε την ασφάλεια σκανδάλης.
- ♦ Αποφεύγετε την επαφή με την σκανδάλη κατά τη διάρκεια των προσαρμογών.

Οι ρυθμίσεις βάθους πραγματοποιούνται με κυλιόμενη κλίμακα (4). Η αριστερή πλευρά αναπαριστά το μεγαλύτερο βάθος και η δεξιά το μικρότερο.

- ♦ Για να οδηγήσετε ένα καρφί πιο βαθιά, περιστρέψτε τον τροχό προσαρμογής βάθους (3) προς τα κάτω. Αυτό θα γυρίσει την ένδειξη προσαρμογής βάθους (4) στα αριστερά της κλίμακας.
- ♦ Για να οδηγήσετε ένα καρφί πιο ρηχά, περιστρέψτε τον τροχό προσαρμογής βάθους (3) προς τα πάνω. Αυτό θα γυρίσει την ένδειξη προσαρμογής βάθους (4) στα δεξιά της κλίμακας.

## Φώτα εργασίας (Εικ. F)

Υπάρχουν φώτα εργασίας (5) σε κάθε πλευρά του καρφωτικού. Τα φώτα εργασίας ανάβουν μόλις απελευθερώσετε τον ενεργοποιητή επαφής.

**Σημείωση:** Αυτά τα φώτα εργασίας προορίζονται για το φωτισμό της άμεσης επιφάνειας εργασίας και δεν προορίζονται για χρήση ως φακοί.



## Ένδειξη χαμηλής στάθμης μπαταρίας

Τα φώτα εργασίας θα αναβοσβήσουν και θα σβήσουν τελείως όταν η μπαταρία είναι χαμηλή.



## Ένδειξη σφηνωμένου καρφιού:

Τα φώτα εργασίας θα αναβοσβήσουν εάν σφηνώσει κάποιο καρφί στην υποδοχή εκτόξευσης (βλ. Αφαίρεση ενός σφηνωμένου καρφιού).

## Απελευθέρωση εμπλοκής (Εικ. G)

**Προειδοποίηση!** Εάν παρουσιαστεί εμπλοκή, το εργαλείο θα απενεργοποιηθεί και θα πρέπει να το επανεκκινήσετε. Για να το κάνετε, ακολουθήστε τις οδηγίες για την απεμπλοκή του εργαλείου. Στη συνέχεια, αφαιρέστε το πακέτο μπαταριών και τοποθετήστε το ξανά. Το εργαλείο μπορεί πλέον να χρησιμοποιηθεί. Αν το καρφωτικό χρησιμοποιείται σε απαιτητική εφαρμογή όπου όλη η διαθέσιμη ενέργεια στο μοτέρ χρησιμοποιείται για το κάρφωμα ενός καρφιού, το εργαλείο μπορεί να παρουσιάσει εμπλοκή. Η λάμα καρφώματος δεν ολοκλήρωσε τον κύκλο καρφώματος και η ενδεικτική λυχνία ενσφηνωση/εμπλοκής (e) θα αναβοσβήνει. Περιστρέψτε το μοχλό απελευθέρωσης εμπλοκής (6) του εργαλείου και ο μηχανισμός θα απελευθερωθεί.

**Σημείωση!** Το εργαλείο θα απενεργοποιηθεί αυτόματα χωρίς επαναφορά, έως ότου έχει αφαιρεθεί και εισαχθεί πάλι το πακέτο μπαταριών. Αν η μονάδα εξακολουθεί να παρουσιάζει εμπλοκή, εξετάστε το υλικό και το μήκος των καρφιών για να βεβαιωθείτε ότι η εφαρμογή δεν είναι υπερβολικά απαιτητική. Εάν η λεπίδα οδηγός δεν επανέλθει αυτόματα στην αρχική της θέση μετά την περιστροφή του μοχλού απελευθέρωσης εμπλοκής, συνεχίστε στο «Αφαίρεση ενός σφηνωμένου καρφιού».



## Αφαίρεση ενός σφηνωμένου καρφιού (εικ. H)

**Προειδοποίηση!** για να ελαττώσετε τον κίνδυνο προσωπικού τραυματισμού, αποσυνδέστε το πακέτο μπαταριών από το εργαλείο και ενεργοποιήστε την ασφάλεια σκανδάλης πριν τη

συντήρηση ή την αφαίρεση ενός σφηνωμένου καρφιού. Εάν κάποιο καρφί σφηνώσει στην υποδοχή εκτόξευσης, κρατήστε το εργαλείο στραμμένο μακριά από εσάς και ακολουθήστε αυτές τις οδηγίες για να το αφαιρέσετε:

- ◆ Αφαιρέστε το πακέτο μπαταριών από το εργαλείο και ενεργοποιήστε το κλειδίωμα ασφαλείας.



- ◆ Περιστρέψτε τον μοχλό απελευθέρωσης εμπλοκής (6) στο εργαλείο για να απελευθερώσετε τη λεπίδα οδηγό και να αφαιρέσετε το καρφί. Εάν το εργαλείο παραμένει μπλοκαρισμένο, ακολουθήστε τα 9 βήματα που ακολουθούν:
- ◆ Τραβήξτε τον προωθητή προς τα κάτω μέχρι να κλειδώσει στη θέση του και στη συνέχεια γυρίστε το εργαλείο ώστε να κυλήσουν τα καρφιά από το κάτω μέρος του γεμιστήρα.



- ◆ Σηκώστε το μάνδαλο αφαίρεσης καρφιών (7) και τραβήξτε την μπροστινή θήρα (14).
- ◆ Αφαιρέστε το λυγισμένο καρφί, χρησιμοποιώντας πένσα αν χρειαστεί.
- ◆ Αν η λεπίδα του οδηγού είναι στην κάτω θέση, εισάγετε ένα κατσαβίδι ή κάποια ράβδο στην υποδοχή εκτόξευσης και ωθήστε τη λεπίδα στη θέση της.
- ◆ Κλείστε την μπροστινή θήρα και ενεργοποιήστε το σύρμα (13) κάτω από τους δύο βραχίονες (15) στον ενεργοποιητή επαφής. Πιέστε το μάνδαλο αφαίρεσης καρφιών προς τα κάτω (7) μέχρι να κλειδώσει στη θέση του.
- ◆ Τοποθετήστε εκ νέου τα καρφιά στον γεμιστήρα (Βλ. Γέμισμα του εργαλείου).
- ◆ Τραβήξτε τον προωθητή (10) προς τα κάτω μέχρι να βρεθεί πίσω από τα καρφιά ο ακολουθητής καρφιών (C1), όπως φαίνεται στην εικόνα C.
- ◆ Επανατοποθετήστε το πακέτο μπαταριών.
- ◆ Απασφαλίστε την ασφάλεια σκανδάλης (2), επιτρέποντας τη χρήση της σκανδάλης.

**Προειδοποίηση!** Εάν παρουσιαστεί μπλοκάρισμα, το εργαλείο θα απενεργοποιηθεί και θα πρέπει να το επανεκκινήσετε. Για να το κάνετε, ακολουθήστε τις οδηγίες για την απεμπλοκή του εργαλείου. Στη συνέχεια, αφαιρέστε το πακέτο μπαταριών και τοποθετήστε το ξανά. Το εργαλείο μπορεί πλέον να χρησιμοποιηθεί.

**Σημείωση!** Εάν συνεχίσουν να σφηνώνουν καρφιά συχνά στον ενεργοποιητή επαφής, επισκεφθείτε ένα τμήμα σέρβις σε πιστοποιημένο κέντρο της Stanley Fat Max.

## Λειτουργία σε κρύο καιρό

Όταν χρησιμοποιείτε εργαλεία σε θερμοκρασίες κάτω του 0:

- ◆ Διατηρείτε το εργαλείο όσο το δυνατόν πιο ζεστό πριν από τη χρήση.
- ◆ Εκκινήστε το εργαλείο 5-6 φορές σε δοκιμαστική λειτουργία πριν τη χρήση.

## Λειτουργία σε ζεστό καιρό

Το εργαλείο θα πρέπει να λειτουργεί φυσιολογικά. Ωστόσο, αποφύγετε την επαφή του εργαλείου με το φως του ήλιου καθώς η υπερβολική ζέση μπορεί να αλλοιώσει τη λαβή και άλλα μέρη από καουτσούκ, με αποτέλεσμα την ανάγκη για συντήρηση.

## Άγκιστρο ζώνης (Εικ. I-J)

**Προειδοποίηση!** Αφαιρέστε τα καρφιά από τον γεμιστήρα πριν να πραγματοποιήσετε προσαρμογές ή σέρβις στο εργαλείο. Σε αντίθετη περίπτωση υπάρχει κίνδυνος πρόκλησης σοβαρού τραυματισμού.

- ◆ Αφαιρέστε το πακέτο μπαταριών από το εργαλείο και ενεργοποιήστε το κλειδίωμα ασφαλείας.
- ◆ Με ένα κατσαβίδι, αφαιρέστε τη βίδα από την κοιλότητα του άγκιστρου κρεμάσματος στη βάση του εργαλείου (16).
- ◆ Τοποθετήστε το μπροστινό μέρος του άγκιστρου κρεμάσματος (11) στην κοιλότητα στη βάση του εργαλείου (16) όπως βλέπετε στην εικόνα I.
- ◆ Ασφαλίστε το άγκιστρο κρεμάσματος (11) με την βίδα που σας παρέχεται (17) και σφίξτε τη καλά με το κατσαβίδι, όπως βλέπετε στην εικόνα J.
- ◆ Αντικαταστήστε το πακέτο μπαταριών.

## Ανταλλακτικά

**Προειδοποίηση!** για να ελαττώσετε τον κίνδυνο προσωπικού τραυματισμού, αποσυνδέστε το πακέτο μπαταριών από το εργαλείο και ενεργοποιήστε την ασφάλεια σκανδάλης πριν τη συντήρηση ή την αφαίρεση ενός σφηνωμένου καρφιού.

Το εργαλείο είναι εξοπλισμένο με μία λεία κεφαλή που βρίσκεται στην πλευρική επιφάνεια του γεμιστήρα καρφιών.

- ◆ Για να αντικαταστήσετε τη λεία κεφαλή, απλώς αφαιρέστε την παλιά λεία κεφαλή και τοποθετήστε τη νέα λεία κεφαλή στον ενεργοποιητή επαφής.

Να χρησιμοποιείτε μόνο παμοιοίτυπα ανταλλακτικά. Για έναν κατάλογο των ανταλλακτικών ή για να παραγγείλετε ανταλλακτικά, επισκεφθείτε την ιστοσελίδα του σέρβις μας στο [www.stanley.eu/3co.uk](http://www.stanley.eu/3co.uk). Μπορείτε επίσης να παραγγείλετε ανταλλακτικά από το πλησιέστερο Κέντρο εργασιαστικού σέρβις της Stanley Fat Max ή από την επίσημη αντιπροσωπία της Stanley Fat Max.

## Αντιμετώπιση προβλημάτων

Σε περίπτωση που η συσκευή σας δεν φαίνεται να λειτουργεί σωστά, ακολουθήστε τις παρακάτω οδηγίες.

Αν αυτό δεν σας βοηθήσει να επιλύσετε το πρόβλημα, επικοινωνήστε με το πλησιέστερο κέντρο επισκευών της Stanley Fat Max.

**Προειδοποίηση!** Πριν προχωρήσετε, αποσυνδέστε τη συσκευή από την πρίζα.

Πρόβλημα	Πιθανή αιτία	ΠΙΘΑΝΗ ΛΥΣΗ
Η μονάδα δεν τίθεται σε λειτουργία.	Η μπαταρία δεν έχει τοποθετηθεί σωστά.  Το πακέτο μπαταρίας δεν είναι φορτισμένο.  Η ασφάλεια σκανδάλης είναι ενεργοποιημένη.	Ελέγξτε την τοποθέτηση της μπαταρίας.  Ελέγξτε τις απαιτήσεις φόρτισης της μπαταρίας.  Απενεργοποίηση της ασφάλειας σκανδάλης.
Το εργαλείο δεν λειτουργεί (τα φώτα ανάβουν αλλά το μοτέρ δε λειτουργεί)	Το μοτέρ σταματά να λειτουργεί μετά από 2 δευτερόλεπτα	Κανονική λειτουργία, ελεγχθείστε τη σκανδάλη ή τον ενεργοποιητή επαφής και πιέστε τον πάλι.
Το εργαλείο δε λειτουργεί. (τα φώτα αναβοβλίνουν)	Χαμηλή φόρτιση μπαταρίας ή ζημιά στη μπαταρία.	Φορτίστε ή αντικαταστήστε τη μπαταρία.
Το εργαλείο δε λειτουργεί. (τα φώτα αναβοβλίνουν συνεχώς)	Σφηνωμένο καρφί/ εμπλοκή του εργαλείου  Σφηνωμένος μηχανισμός	Αφαιρέστε τη μπαταρία, περιστρέψτε το μάνδαλο απελευθέρωσης εμπλοκής. Αφαιρέστε τη βίδα και τοποθετήστε ξανά το πακέτο μπαταριών.  Επισκεφθείτε το εξουσιοδοτημένο κέντρο σέρβις.
Το εργαλείο δε λειτουργεί. (Τα φώτα ανάβουν, το μοτέρ λειτουργεί, η λεπίδα οδηγός έχει κολλήσει προς τα κάτω)		Επισκεφθείτε το εξουσιοδοτημένο κέντρο σέρβις.
Το εργαλείο λειτουργεί, αλλά δε στρώνει τη βίδα πλήρως.	Χαμηλή φόρτιση μπαταρίας ή ζημιά στη μπαταρία.  Το βάθος έχει ρυθμιστεί σε πολύ μικρή τιμή.  Το εργαλείο δεν έχει πατηθεί σταθερά πάνω στο τεμάχιο εργασίας	Φορτίστε ή αντικαταστήστε τη μπαταρία.  Περιστρέψτε τον τροχό προσαρμογής βάθους σε ρύθμιση με μεγαλύτερο βάθος.  Διαβάστε το εγχειρίδιο οδηγιών.
	Το υλικό και το μήκος της βίδας δεν είναι κατάλληλα για την εφαρμογή.	Επιλέξτε το κατάλληλο υλικό ή μήκος βίδας.

## Συντήρηση

Αυτή η συσκευή/εργαλείο με καλώδιο/χωρίς καλώδιο της Stanley Fat Max έχει σχεδιαστεί έτσι ώστε να λειτουργεί για μεγάλο χρονικό διάστημα με την ελάχιστη δυνατή συντήρηση. Η αδιάλειπτη και ικανοποιητική λειτουργία του εργαλείου/της συσκευής εξαρτάται από τη φροντίδα και τον τακτικό καθαρισμό του/της.

**Προειδοποίηση!** Πριν από τον καθαρισμό, απενεργοποιήστε τη συσκευή και βγάλτε την από την πρίζα.

- ◆ Μπορείτε να απομακρύνετε τους ρύπους και τα λίπη από το εξωτερικό της συσκευής με ένα πανί.

**Προειδοποίηση!** ΠΟΤΕ μην χρησιμοποιείτε διαλύτες ή άλλα ισχυρά χημικά για τον καθαρισμό των μη μεταλλικών μερών της συσκευής. Τα χημικά αυτά μπορεί να εξασθενήσουν τα υλικά που χρησιμοποιούνται σ' αυτά τα εξαρτήματα. Χρησιμοποιείτε ένα πανί που έχει υγρανθεί μόνο με νερό και ήπιο σαπούνι. Μην επιτρέψετε ποτέ να εισέλθει υγρό στο εσωτερικό της μονάδας και μη βυθίσετε ποτέ οποιοδήποτε μέρος της μονάδας σε υγρό.

**Προειδοποίηση!** ΠΟΤΕ μην ψεκάσετε ή εφαρμόσετε με οποιοδήποτε άλλο τρόπο λιπαντικά ή διαλύτες καθαρισμού στο εσωτερικό του εργαλείου. Αυτό μπορεί να επηρεάσει σημαντικά το χρόνο ζωής και την απόδοση του εργαλείου.

## Σημειώσεις σχετικά με το σέρβις

Το προϊόν αυτό δεν επιδέχεται σέρβις από το χρήστη. Δεν υπάρχουν μέρη που επιδέχονται σέρβις μέσα στο ραδιόφωνο. Απαιτείται επισκευή σε εξουσιοδοτημένο κέντρο τεχνικής εξυπηρέτησης για την αποτροπή ζημιών σε εσωτερικά εξαρτήματα ευαίσθητα στο στατικό ηλεκτρισμό.

## Προστασία του περιβάλλοντος



Χωριστή συλλογή. Τα προϊόντα και οι μπαταρίες που επισημαίνονται με αυτό το σύμβολο δεν πρέπει να απορρίπτονται μαζί με τα κανονικά οικιακά απορρίμματα.

Τα προϊόντα και οι μπαταρίες περιέχουν υλικά που μπορούν να ανακτηθούν ή να ανακυκλωθούν ώστε να μειωθούν οι ανάγκες για πρώτες ύλες. Παρακαλούμε να ανακυκλώνετε τα ηλεκτρικά προϊόντα και τις μπαταρίες σύμφωνα με τους τοπικούς κανονισμούς. Περισσότερες πληροφορίες διατίθενται στον ιστότοπο [www.2helpU.com](http://www.2helpU.com)

## Τεχνικά χαρακτηριστικά

		FMC792 Τύπος:2
Τάση	V <sub>DC</sub>	18
Τύπος μπαταρίας		Li-Ion
Μέθοδος ενεργοποίησης		Διαδοχική ενέργεια
Γωνία γεμιστήρα		Ευθεία
Ταχύτητα χωρίς φορτίο	rpm	9100
Ισχύς	περίπου	60J
Βάρος (χωρίς εξαρτήματα)	kg	2.6

Βίδες			
Μήκος	mm		25 - 64
Διάμετρος βάσης	mm		1.6
Γωνία			Ευθεία

Φορτιστής			90608625
Τάση εισόδου	V <sub>AC</sub>		230
Τάση εξόδου	V <sub>DC</sub>		18
Ρεύμα	Ah		2.0
Χρόνος φόρτισης περ.			1 ώρα (2.0 Ah) 2 ώρες (4.0 Ah)
Βάρος (μόνο ο φορτιστής)	kg		0.45

Μπαταρία			FMC687L	FMC688L
Τάση	V <sub>AC</sub>		18	18
Χωρητικότητα	Ah		2.0ah	4.0ah
Βάρος	kg		0.35	0.67
Τύπος			Li-Ion	Li-Ion

Στάθμη ηχητικής πίεσης, μετρημένη σύμφωνα με ο πρότυπο EN 60745 - 1:	
Ηχητική πίεση (L <sub>PA</sub> )	87 dB(A), αβεβαιότητα (K) 1,5 dB(A)
Ηχητική ισχύς (L <sub>WA</sub> )	92 dB(A), αβεβαιότητα (K) 2,5 dB(A)
Οι συνολικές τιμές δόνησης (διανυσματικό άθροισμα τριών αξόνων) κατά EN 60745 - 2- 16:	
Συρραπτικά (a <sub>v</sub> )	<1,8 m/s <sup>2</sup> , αβεβαιότητα (K) 1,8 m/s <sup>2</sup>

## Δήλωση συμμόρφωσης CE

ΟΔΗΓΙΑ ΠΕΡΙ ΜΗΧΑΝΗΜΑΤΩΝ



FMC792B - Καρφωτικό χωρίς καλώδιο

Η Stanley Fat Max δηλώνει ότι αυτά τα προϊόντα που περιγράφονται στα «τεχνικά χαρακτηριστικά» συμμορφώνονται με:

EN60745-1: 2009 +A11:2010,

EN 60745 - 2 -16:2010

Αυτά τα προϊόντα συμμορφώνονται επίσης με την οδηγία 2004/108/EK (μέχρι 19/04/2016) 2014/30/EE (από 20/04/2016), 2006/42/EC και 2011/65/EE.

Για περισσότερες πληροφορίες, παρακαλείσθε να επικοινωνήσετε με την Stanley Fat Max στην παρακάτω διεύθυνση ή

να ανατρέξετε στο πίσω μέρος του εγχειριδίου.

Ο κάτωθι υπογεγραμμένος είναι υπεύθυνος για την κατάρτιση του τεχνικού φακέλου και κάνει αυτή τη δήλωση για λογαριασμό της Stanley Fat Max.

R. Laverick  
Διευθυντής Σχεδιασμού  
Stanley Fat Max,  
210 Bath Road, Slough,  
Berkshire, SL1 3YD  
United Kingdom  
11/1/2016

## Εγγύηση

Η Stanley Fat Max είναι σίγουρη για την ποιότητα των προϊόντων της και προσφέρει στους καταναλωτές εγγύηση 12 μηνών από την ημερομηνία αγοράς. Αυτή η εγγύηση είναι πρόσθετο δικαίωμά σας και δεν ζημιώνει τα νόμιμα δικαιώματά σας. Η εγγύηση ισχύει εντός της επικράτειας των χωρών μελών της Ευρωπαϊκής Ένωσης και της Ευρωπαϊκής Ζώνης Ελευθέρων Συναλλαγών.

Για να υποβάλετε αξίωση βάσει της εγγύησης, η αξίωση θα πρέπει να είναι σύμφωνη με τους Όρους και προϋποθέσεις της Stanley Fat Max και θα χρειαστεί να υποβάλετε απόδειξη αγοράς στον πωλητή ή σε εξουσιοδοτημένο αντιπρόσωπο επισκευών. Μπορείτε να αποκτήσετε τους Όρους και προϋποθέσεις της εγγύησης 1 ετών της Stanley Fat Max και να μάθετε την τοποθεσία του πλησιέστερου εξουσιοδοτημένου αντιπροσώπου επισκευών στο Internet στο [www.2helpU.com](http://www.2helpU.com), ή επικοινωνώντας με το τοπικό σας γραφείο Stanley Fat Max.

Παρακαλούμε επισκεφθείτε την ιστοσελίδα μας [www.stanley.eu/3co.uk](http://www.stanley.eu/3co.uk) για να καταχωρίσετε το νέο σας προϊόν Stanley Fat Max και για να ενημερώνεστε για τα νέα προϊόντα και τις ειδικές προσφορές.

<b>België/Belgique</b>	Stanley Fat Max E. Walschaertstraat 14-16 2800 Mechelen Belgium	De. Tel. +32 70 220 065 Fr. Tel. +32 70 220 066 Fax +32 15 473 799 www.stanleytools.eu Enduser.be@SBDinc.com
<b>Danmark</b>	Stanley Fat Max Farveland 1B 2600 Glostrup	Tel. 70 20 15 10 Fax 70 22 49 10 www.stanleyworks.dk
<b>Deutschland</b>	Stanley Fat Max Richard Klinger Str. 11, D - 65510 Idstein	Tel. 06126 21-1 Fax 06126 21-2770
<b>Ελλάδα</b>	Stanley Fat Max. Στράβωνος 7 & Λεωφ. Βουλιαγμένης 159 Γλυφάδα 166 74 - Αθήνα	Τηλ. +30 210 8981-616 Φαξ +30 210 8983-285 www.stanleyworks.gr
<b>España</b>	Stanley Fat Max. Parc de Negocis "Mas Blau" Edificio Muntadas, c/Bergadá, 1, Of. A6 08820 El Prat de Llobregat (Barcelona)	Tel. 934 797 400 Fax 934 797 419 respuesta.postventa@sbdinc.com www.stanleyworks.es
<b>France</b>	Stanley Fat Max 5 allée des Hêtres B.P. 30084 69579 Limonest Cédex	Tel. 04 72 20 39 20 Fax 04 72 20 39 00 www.stanleyouillage.fr
<b>Helvetia</b>	Stanley Fat Max In der Luberzen 40 8902 Urdorf	Tel. 01 730 67 47 Fax 01 730 70 67 www.stanleyworks.de
<b>Italia</b>	Stanley Fat Max EnergyPark-Building 03 sud, Via Monza 7/A 20871 Vimercate (MB)	Tel. 039-9590200 Fax 039-9590313 www.stanley.it
<b>Nederland</b>	Stanley Fat Max Joulehof 12, 4600 RG Bergen op Zoom	Tel. +31 164 283 065 Fax +31 164 283 200 Enduser.NL@SBDinc.com
<b>Norge</b>	Stanley Fat Max Postboks 4613, Nydalen 0405 Oslo	Tlf. 45 25 13 00 Fax 45 25 08 00
<b>Österreich</b>	Stanley Fat Max Oberlaaerstraße 248, A-1230 Wien	Tel. 01 66116-0 Fax 01 66116-614 www.stanleyworks.de
<b>Portugal</b>	Stanley Fat Max Centro de Escritórios de Sintra Avenida Almirante Gago Coutinho, 132/134, Edifício 142710-418 Sintra 2710-418 Lisboa	Tel. 214667500 Fax 214667575 resposta.posvenda@sbdinc.com
<b>Suomi</b>	Stanley Fat Max Tekniikkatie 12, 02150 Espoo	Puh. 010 400 430 Faksi 0800 411 340 www.stanleyworks.fi
<b>Sverige</b>	Stanley Fat Max Box 94, 431 22 Mölndal	Tel. 031-68 61 00 Fax 031-68 60 08
<b>Türkiye</b>	Stanley Fat Max KALE Hırdavat ve Makina A.Ş. Deftardar Mah. Savaklar Cad. No:15 Edirnekapı / Eyüp / İSTANBUL 34050	Puh. 0212 533 52 55 Faks 0212 533 10 05 www.stanleyworks.fi
<b>United Kingdom</b>	Stanley Fat Max 210 Bath Road Slough, Berkshire SL1 3YD	Tel. +44 (0)1753 511234 Fax +44 (0)1753 551155 www.stanleytools.co.uk
<b>Middle East &amp; Africa</b>	Stanley Fat Max P.O.Box - 17164 Jebel Ali (South Zone), Dubai, UAE	Tel. +971 4 8127400 Fax +971 4 8127036 www.stanleyworks.ae