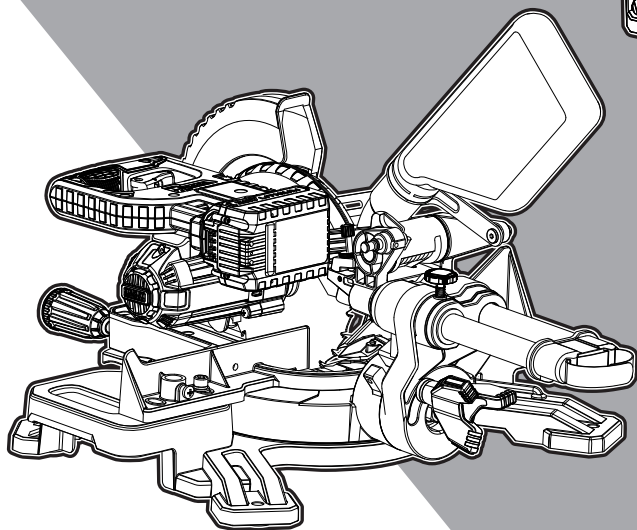
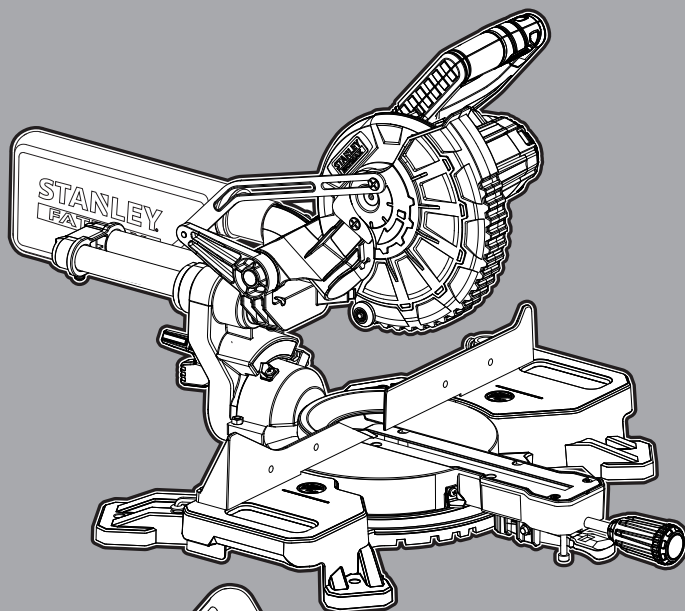


STANLEY® FATMAX®

V20 LITHIUM ION



www.stanley.eu

SFMCS701

EN

DE

FR

IT

NL

ES

PT

SV

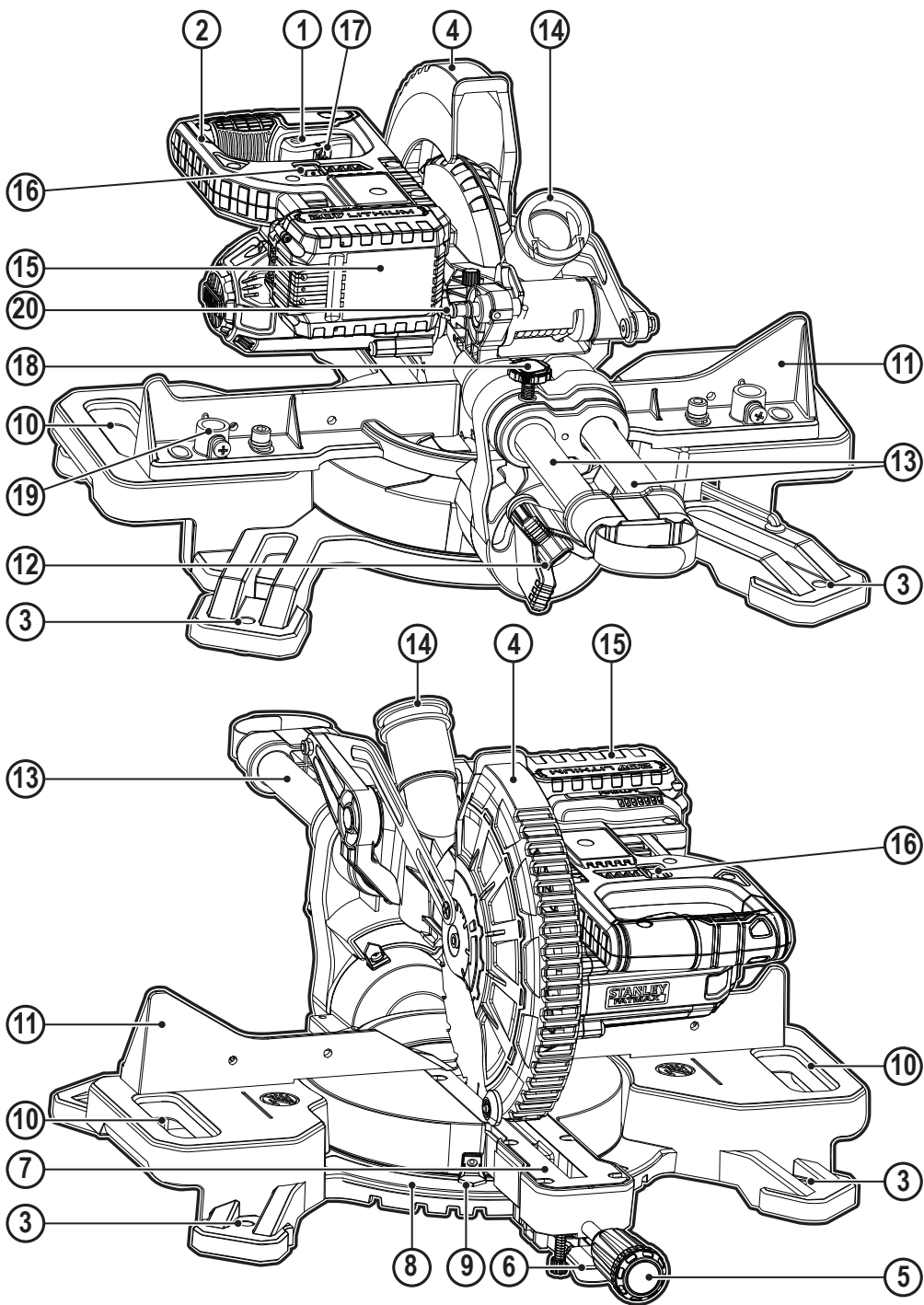
NO

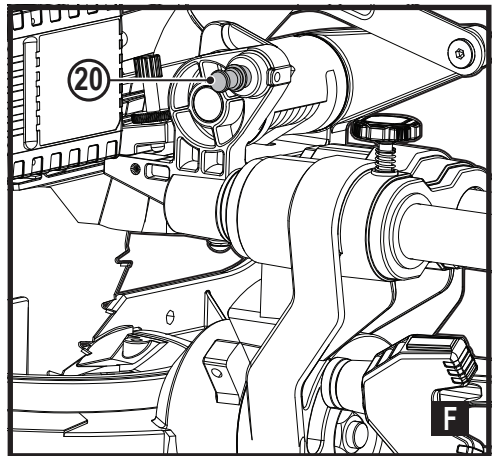
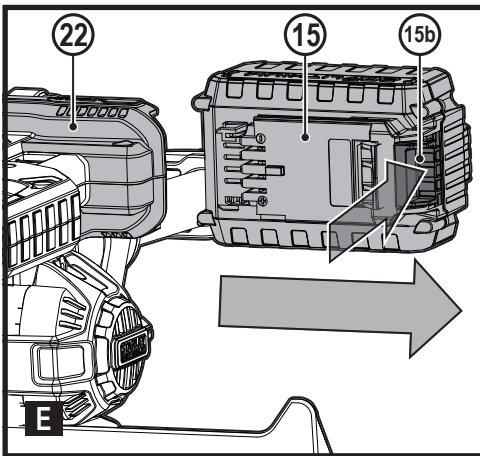
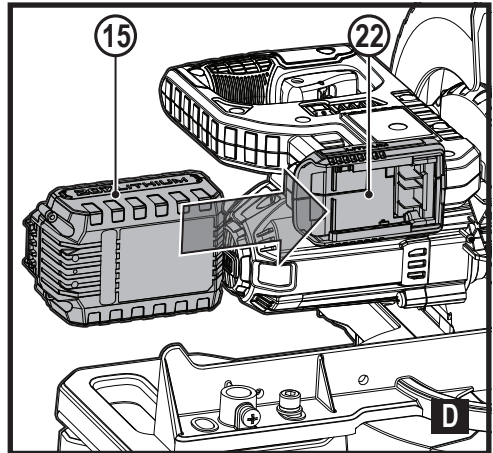
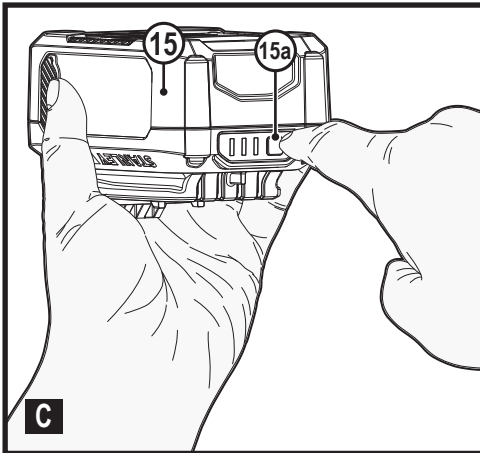
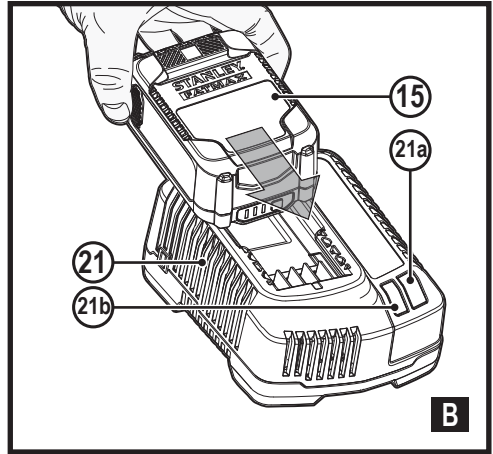
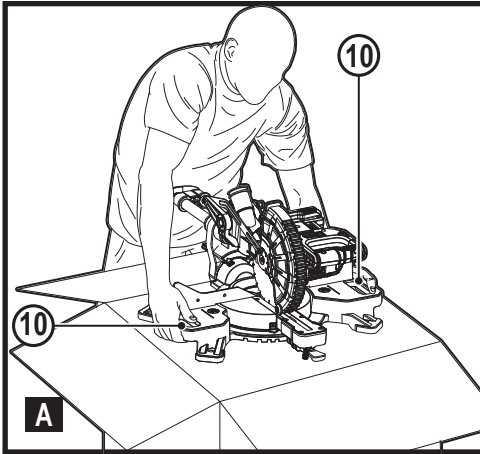
DK

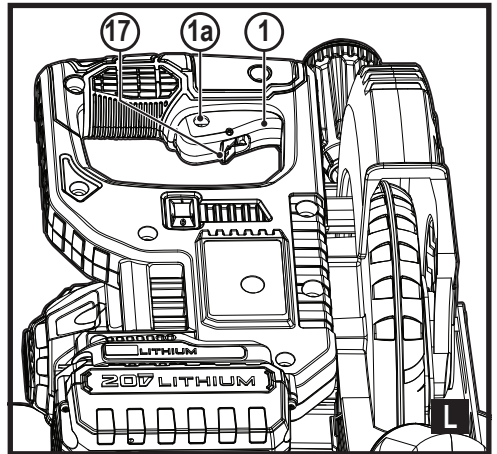
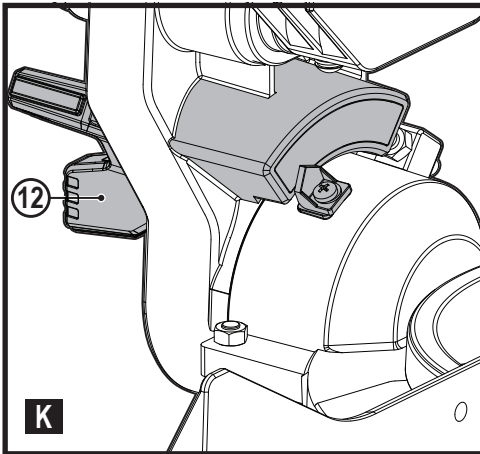
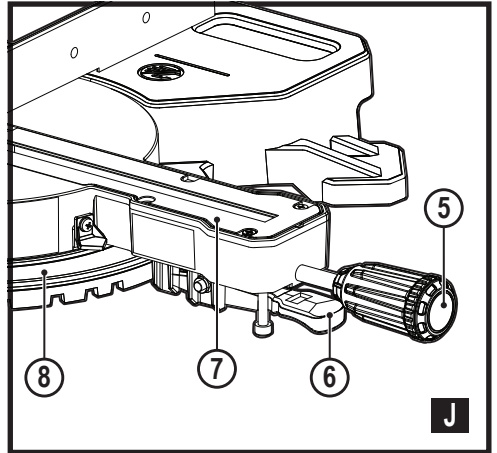
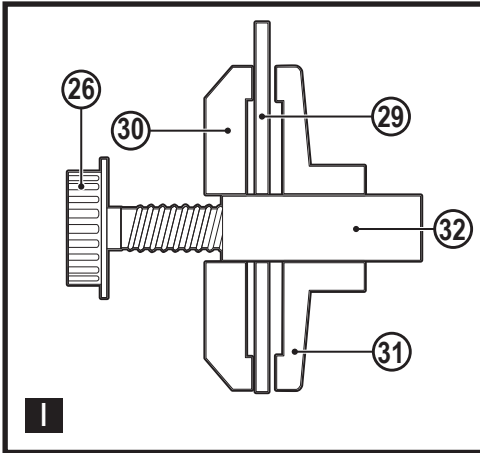
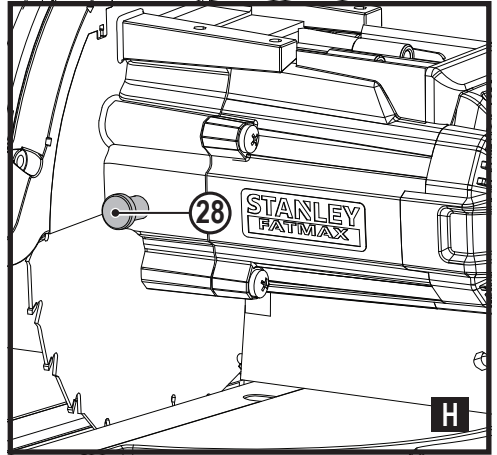
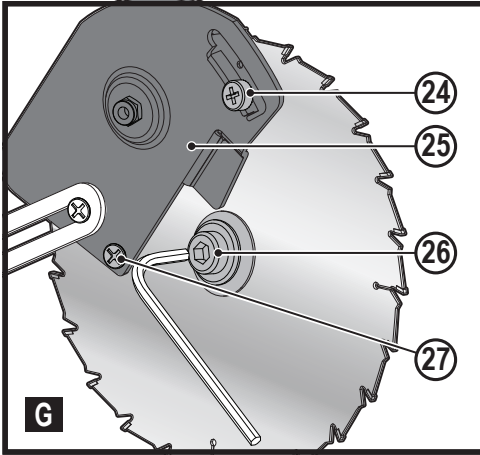
FI

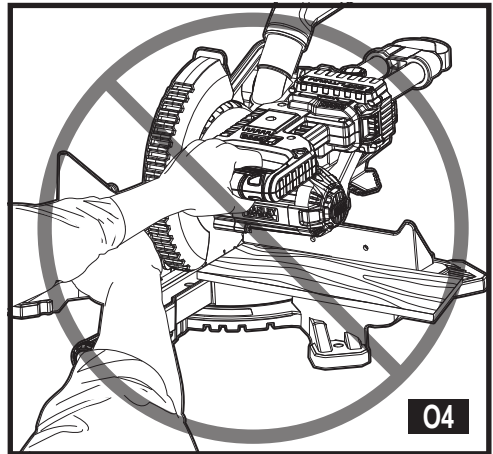
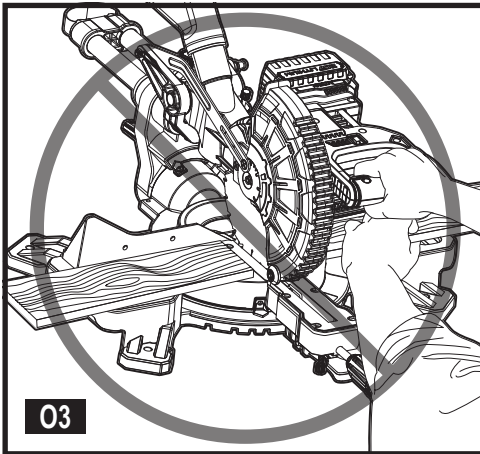
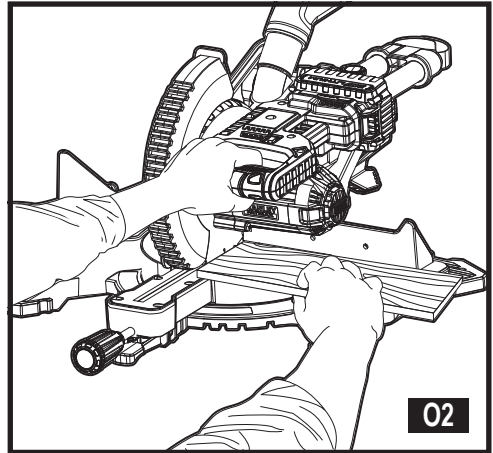
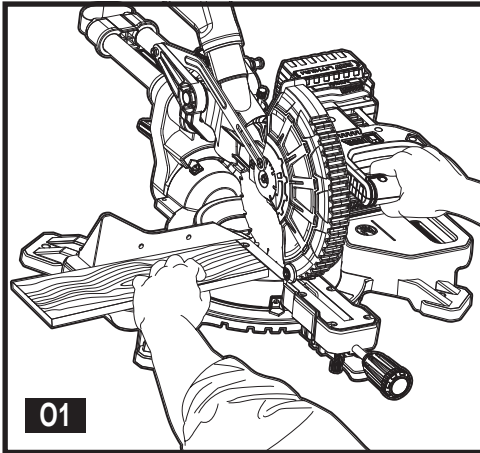
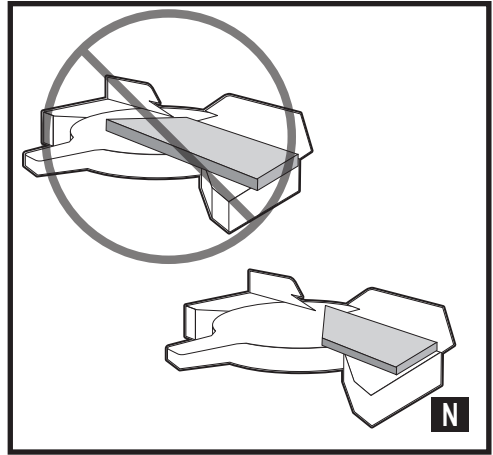
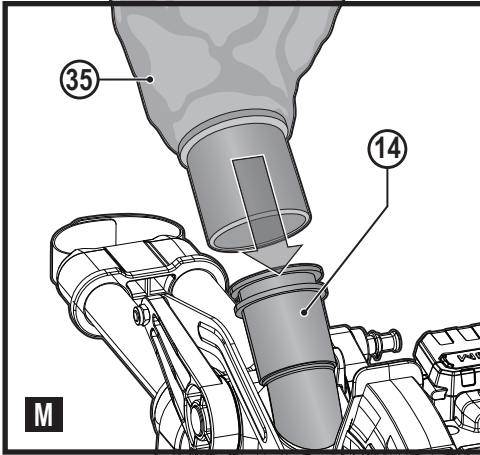
EL

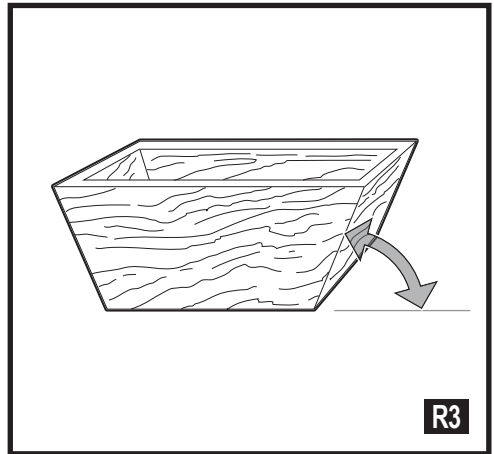
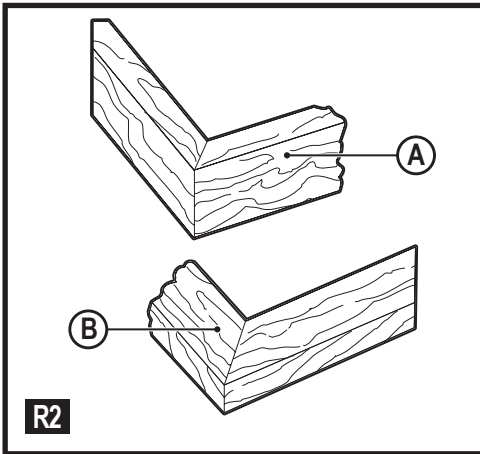
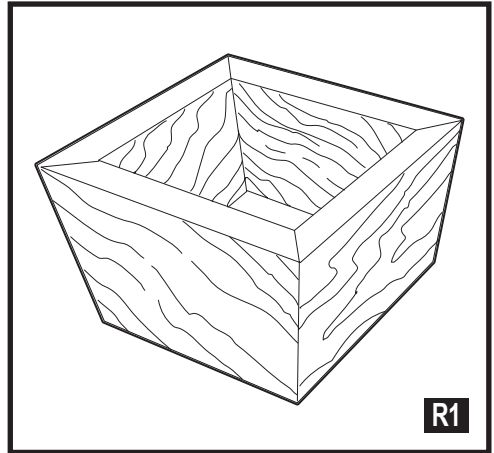
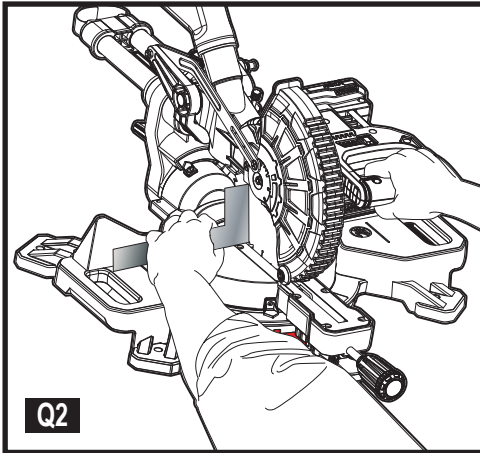
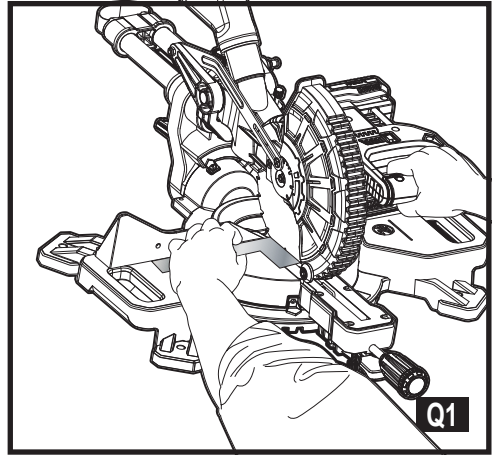
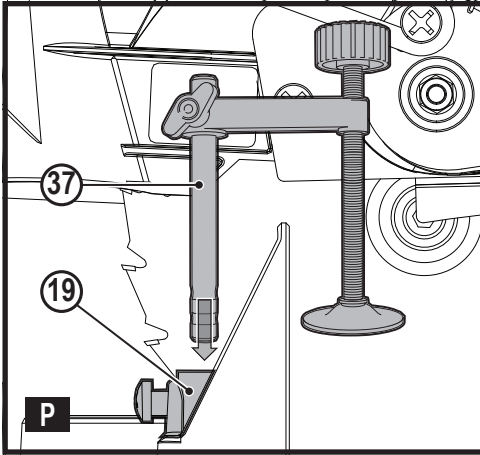
TR

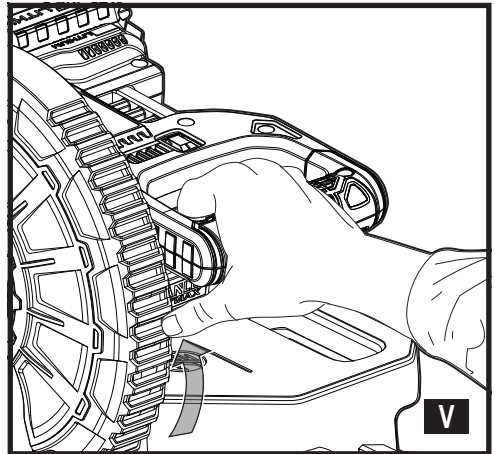
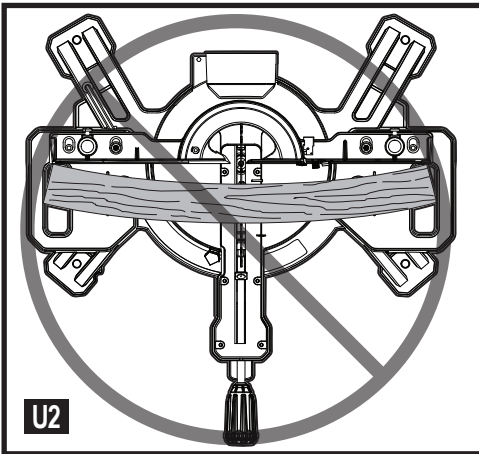
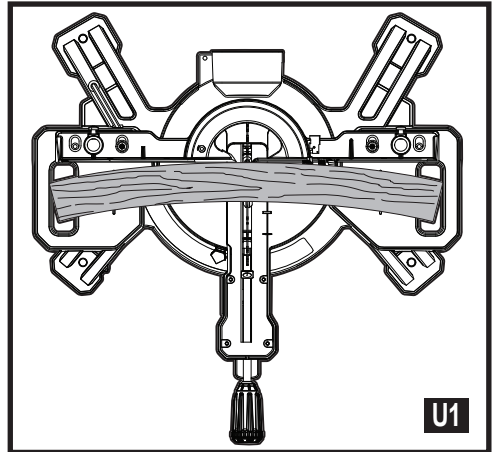
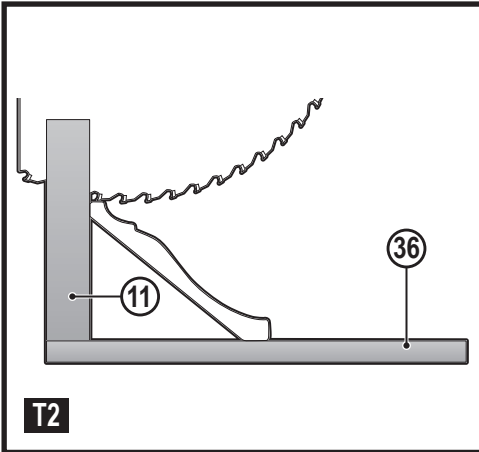
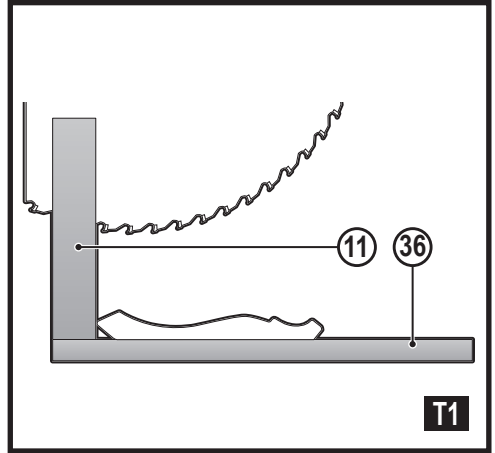
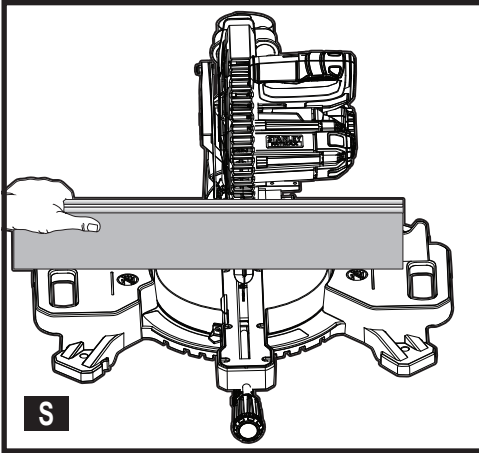


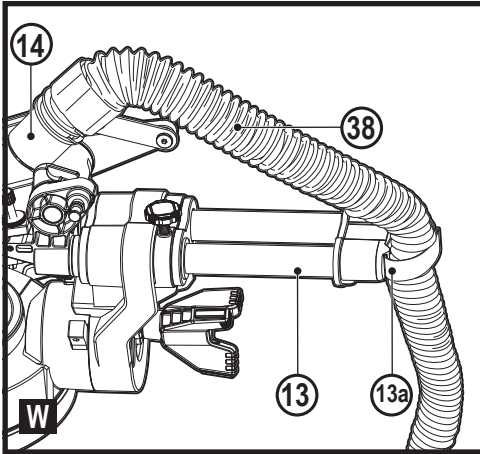












- b. **Avoid body contact with earthed or grounded surfaces such as pipes, radiators, ranges and refrigerators.** There is an increased risk of electric shock if your body is earthed or grounded.
- c. **Do not expose power tools to rain or wet conditions.** Water entering a power tool will increase the risk of electric shock.
- d. **Do not abuse the cord. Never use the cord for carrying, pulling or unplugging the power tool. Keep cord away from heat, oil, sharp edges or moving parts.** Damaged or entangled cords increase the risk of electric shock.
- e. **When operating a power tool outdoors, use an extension cord suitable for outdoor use.** Use of a cord suitable for outdoor use reduces the risk of electric shock.
- f. **If operating a power tool in a damp location is unavoidable, use a residual current device (RCD) protected supply.** Use of an RCD reduces the risk of electric shock.

Intended use

Your STANLEY FATMAX SFMCS701 sliding compound mitre saw has been designed for sawing wood, plastic and non-ferrous metal only. This tool is intended for professional and private, non professional users.

Safety instructions

General power tool safety warnings



Warning! Read all safety warnings, instructions, illustrations and specifications provided with power tool. Failure to follow the warnings and instructions listed below may result in electric shock, fire and/or serious injury.

Save all warnings and instructions for future reference.

The term "power tool" in all of the warnings listed below refers to your mains operated (corded) power tool or battery operated (cordless) power tool.

1. Work area safety

- a. **Keep work area clean and well lit.** Cluttered or dark areas invite accidents.
- b. **Do not operate power tools in explosive atmospheres, such as in the presence of flammable liquids, gases or dust.** Power tools create sparks which may ignite the dust or fumes.
- c. **Keep children and bystanders away while operating a power tool.** Distractions can cause you to lose control.

2. Electrical safety

- a. **Power tool plugs must match the outlet. Never modify the plug in any way. Do not use any adapter plugs with earthed (grounded) power tools.** Unmodified plugs and matching outlets will reduce risk of electric shock.

3. Personal safety

- a. **Stay alert, watch what you are doing and use common sense when operating a power tool. Do not use a power tool while you are tired or under the influence of drugs, alcohol or medication.** A moment of inattention while operating power tools may result in serious personal injury.
- b. **Use personal protective equipment. Always wear eye protection.** Protective equipment such as dust mask, non-skid safety shoes, hard hat, or hearing protection used for appropriate conditions will reduce personal injuries.
- c. **Prevent unintentional starting. Ensure the switch is in the off-position before connecting to power source and/or battery pack, picking up or carrying the tool.** Carrying power tools with your finger on the switch or energising power tools that have the switch on invites accidents.
- d. **Remove any adjusting key or wrench before turning the power tool on.** A wrench or a key left attached to a rotating part of the power tool may result in personal injury.
- e. **Do not overreach. Keep proper footing and balance at all times.** This enables better control of the power tool in unexpected situations.
- f. **Dress properly. Do not wear loose clothing or jewellery. Keep your hair, clothing and gloves away from moving parts.** Loose clothes, jewellery or long hair can be caught in moving parts.
- g. **If devices are provided for the connection of dust extraction and collection facilities, ensure these are connected and properly used.** Use of dust collection can reduce dust-related hazards.

- h. Do not let familiarity gained from frequent use of tools allow you to become complacent and ignore tool safety principles.** A careless action can cause severe injury within a fraction of a second.
- 4. Power tool use and care**
- a. Do not force the power tool. Use the correct power tool for your application.** The correct power tool will do the job better and safer at the rate for which it was designed.
- b. Do not use the power tool if the switch does not turn it on and off.** Any power tool that cannot be controlled with the switch is dangerous and must be repaired.
- c. Disconnect the plug from the power source and/or the battery pack from the power tool before making any adjustments, changing accessories, or storing power tools.** Such preventive safety measures reduce the risk of starting the power tool accidentally.
- d. Store idle power tools out of the reach of children and do not allow persons unfamiliar with the power tool or these instructions to operate the power tool.** Power tools are dangerous in the hands of untrained users.
- e. Maintain power tools and accessories. Check for misalignment or binding of moving parts, breakage of parts and any other condition that may affect the power tools operation. If damaged, have the power tool repaired before use.** Many accidents are caused by poorly maintained power tools.
- f. Keep cutting tools sharp and clean.** Properly maintained cutting tools with sharp cutting edges are less likely to bind and are easier to control.
- g. Use the power tool, accessories and tool bits etc. in accordance with these instructions, taking into account the working conditions and the work to be performed.** Use of the power tool for operations different from those intended could result in a hazardous situation.
- h. Keep handles and grasping surfaces dry, clean and free from oil and grease.** Slippery handles and greasy surfaces do not allow for safe handling and control of the tool in unexpected situations.
- 5. Battery tool use and care**
- a. Recharge only with the charger specified by the manufacturer.** A charger that is suitable for one type of battery pack may create a risk of fire when used with another battery pack.
- b. Use power tools only with specifically designated battery packs.** Use of any other battery packs may create a risk of injury and fire.
- c. When battery pack is not in use, keep it away from other metal objects, like paper clips, coins, keys, nails, screws, or other small metal objects, that can make a connection from one terminal to another.**
- Shorting the battery terminals together may cause burns or a fire.
- d. Under abusive conditions, liquid may be ejected from the battery; avoid contact. If contact accidentally occurs, flush with water. If liquid contacts eyes, additionally seek medical help.** Liquid ejected from the battery may cause irritation or burns.
- e. Do not use a battery pack or tool that is damaged or modified.** Damaged or modified batteries may exhibit unpredictable behaviour resulting in fire, explosion or risk of injury.
- f. Do not expose a battery pack or tool to fire or excessive temperature.** Exposure to fire or temperature above 130 °C may cause explosion.
- g. Follow all charging instructions and do not charge the battery pack or tool outside the temperature range specified in the instructions.** Charging improperly or at temperatures outside the specified range may damage the battery and increase the risk of fire.
- 6. Service**
- a. Have your power tool serviced by a qualified repair person using only identical replacement parts.** This will ensure that the safety of the power tool is maintained.
- b. Never service damaged battery packs.** Service of battery packs should only be performed by the manufacturer or authorised service providers.
- Safety instructions for mitre saws**
- ◆ **Mitre saws are intended to cut wood or wood-like products, they cannot be used with abrasive cut-off wheels for cutting ferrous material such as bars, rods, studs, etc.** Abrasive dust causes moving parts such as the lower guard to jam. Sparks from abrasive cutting will burn the lower guard, the kerf insert and other plastic parts.
 - ◆ **Use clamps to support the workpiece whenever possible. If supporting the workpiece by hand, you must always keep your hand at least 100 mm from either side of the saw blade. Do not use this saw to cut pieces that are too small to be securely clamped or held by hand.** If your hand is placed too close to the saw blade, there is an increased risk of injury from blade contact.
 - ◆ **The workpiece must be stationary and clamped or held against both the fence and the table. Do not feed the workpiece into the blade or cut "freehand" in any way.** Unrestrained or moving workpieces could be thrown at high speeds, causing injury.
 - ◆ **Push the saw through the workpiece. Do not pull the saw through the workpiece.**

To make a cut, raise the saw head and pull it out over the workpiece without cutting, start the motor, press the saw head down and push the saw through the workpiece. Cutting on the pull stroke is likely to cause the saw blade to climb on top of the workpiece and violently throw the blade assembly towards the operator.

- ◆ **Never cross your hand over the intended line of cutting either in front or behind the saw blade.** Supporting the workpiece "cross handed" i.e. holding the workpiece to the right of the saw blade with your left hand or vice versa is very dangerous.
- ◆ **Do not reach behind the fence with either hand closer than 100 mm from either side of the saw blade, to remove wood scraps, or for any other reason while the blade is spinning.** The proximity of the spinning saw blade to your hand may not be obvious and you may be seriously injured.
- ◆ **Inspect your workpiece before cutting. If the workpiece is bowed or warped, clamp it with the outside bowed face toward the fence. Always make certain that there is no gap between the workpiece, fence and table along the line of the cut.** Bent or warped workpieces can twist or shift and may cause binding on the spinning saw blade while cutting. There should be no nails or foreign objects in the workpiece.
- ◆ **Do not use the saw until the table is clear of all tools, wood scraps, etc., except for the workpiece.** Small debris or loose pieces of wood or other objects that contact the revolving blade can be thrown with high speed.
- ◆ **Cut only one workpiece at a time.** Stacked multiple workpieces cannot be adequately clamped or braced and may bind on the blade or shift during cutting.
- ◆ **Ensure the mitre saw is mounted or placed on a level, firm work surface before use.** A level and firm work surface reduces the risk of the mitre saw becoming unstable.
- ◆ **Plan your work. Every time you change the bevel or mitre angle setting, make sure the adjustable fence is set correctly to support the workpiece and will not interfere with the blade or the guarding system.** Without turning the tool "ON" and with no workpiece on the table, move the saw blade through a complete simulated cut to assure there will be no interference or danger of cutting the fence.
- ◆ **Provide adequate support such as table extensions, saw horses, etc. for a workpiece that is wider or longer than the table top.** Workpieces longer or wider than the mitre saw table can tip if not securely supported. If the cut-off piece or workpiece tips, it can lift the lower guard or be thrown by the spinning blade.
- ◆ **Do not use another person as a substitute for a table extension or as additional support.**

Unstable support for the workpiece can cause the blade to bind or the workpiece to shift during the cutting operation pulling you and the helper into the spinning blade.

- ◆ **The cut-off piece must not be jammed or pressed by any means against the spinning saw blade.** If confined, i.e. using length stops, the cut-off piece could get wedged against the blade and thrown violently.
- ◆ **Always use a clamp or a fixture designed to properly support round material such as rods or tubing.** Rods have a tendency to roll while being cut, causing the blade to "bite" and pull the work with your hand into the blade.
- ◆ **Let the blade reach full speed before contacting the workpiece.** This will reduce the risk of the workpiece being thrown.
- ◆ **If the workpiece or blade becomes jammed, turn the mitre saw off. Wait for all moving parts to stop and disconnect the plug from the power source and/or remove the battery pack. Then work to free the jammed material.** Continued sawing with a jammed workpiece could cause loss of control or damage to the mitre saw.
- ◆ **After finishing the cut, release the switch, hold the saw head down and wait for the blade to stop before removing the cut-off piece.** Reaching with your hand near the coasting blade is dangerous.

Additional safety instructions for mitre saws

- ◆ The intended use is described in this instruction manual. The use of any accessory or attachment or performance of any operation with this tool other than those recommended in this instruction manual may present a risk of personal injury and/or damage to property.
- ◆ Do not use cracked/bent/damaged/deformed saw blades.
- ◆ Replace the kerf plate when worn.
- ◆ Do not use blades of larger or smaller diameter than recommended. For the proper blade rating refer to the technical data. Use only the blades specified in this manual, complying with EN 847-1.
- ◆ Do not use High Speed Steel (HSS) saw blades.



Warning! Contact with or inhalation of dusts arising from sawing applications may endanger the health of the operator and possible bystanders. Wear a dust mask specifically designed for protection against dust and fumes and ensure that persons within or entering the work area are also protected.

- ◆ Do not work with material containing asbestos. Asbestos is considered to be carcinogenic.
- ◆ Wear gloves when handling saw blades and rough material (saw blades should be carried in a holder when practicable).
- ◆ Wear hearing protection to reduce the risk of induced hearing loss.

- ◆ Consider using specially designed noise-reduction blades.
- ◆ Wear eye protection to reduce the risk of personal injury.
- ◆ Use the dust bag provided when sawing wood.
- ◆ **Hold power tool by insulated gripping surfaces when performing an operation where the cutting accessory may contact hidden wiring or its own cord.** Cutting accessory contacting a "live" wire may make exposed metal parts of the power tool "live" and could give the operator an electric shock
- ◆ Select the correct blade for the material to be cut.
- ◆ Do not operate the machine without the guard in position. Do not operate the machine if the guard does not function or is not maintained properly.
- ◆ Ensure that the arm is securely fixed when performing bevel cuts.
- ◆ Before each cut ensure that the machine is stable.
- ◆ Keep handles dry, clean and free from oil and grease.
- ◆ Keep the surrounding area of the machine well maintained and free of loose materials, e.g. chips and off-cuts.
- ◆ Ensure the machine and the work area are provided with adequate general or localised lighting.
- ◆ Do not allow untrained people to operate this machine.
- ◆ Ensure that the blade is mounted correctly before use. Make sure that the blade rotates in the correct direction. Keep the blade sharp. Follow instruction for lubricating and changing accessories.
- ◆ Ensure the speed marked on the saw blade is at least equal to the speed marked on the saw.
- ◆ Ensure that any spacers and spindle rings used are suitable for the purpose as stated by STANLEY FATMAX.
- ◆ Repairs to the cut line guidance system should be carried out by authorised repair agents or STANLEY FATMAX service staff.
- ◆ Remove the battery from the machine before carrying out any maintenance or when changing the blade.
- ◆ Never perform any cleaning, maintenance, removal of any off-cuts or other parts of the work piece from the cutting area when the machine is running and the saw head is not in the rest position.
- ◆ When possible, always mount the machine to a bench.
- ◆ Make sure all locking knobs and handles are tight before starting any operation.
- ◆ Never use your saw without the table insert.
- ◆ Never attempt to stop the machine in motion rapidly by jamming a tool or other means against the blade; serious accidents can be caused unintentionally in this way.
- ◆ Before using or fitting any accessory consult the instruction manual. The improper use of an accessory can cause damage.
- ◆ Raise the blade from the table insert in the work piece prior to releasing the on/off switch.
- ◆ Do not wedge anything against the fan to hold the motor shaft.
- ◆ The blade guard on your saw will automatically raise when the arm is brought down; it will lower over the blade when the arm is raised. The guard can be raised by hand when installing or removing saw blades or for inspection of the saw. Never raise the blade guard manually unless the machine is switched off.
- ◆ Check periodically that the motor air slots are clean and free of chips.
- ◆ Never make the warning signs on the power tool unrecognisable.
- ◆ Never stand on the power tool. Serious injuries could occur when the power tool tips over or when coming in contact with the saw blade.
- ◆ Do not take hold of the saw blade after working before it has cooled. The saw blade becomes very hot while working.
- ◆ To avoid injury from materials being thrown, remove the battery from saw to avoid accidental starting, and then remove small materials.
- ◆ Before use and after any maintenance the blade guard must be checked to ensure proper function. This test must be performed with the saw switched off and the battery removed. The arm must be raised and lowered to ensure the guard covers the blade and the blade does not contact the guard. If the guard fails to operate correctly, have your power tool serviced by a qualified repair agent. Call STANLEY FATMAX customer services for your nearest service agent.
- ◆ **This mitre saw has been designed for sawing wood, plastic and nonferrous metal only.** Do not use the saw to cut other materials than those recommended by the manufacturer.
- ◆ Do not take hold of the saw blade after working before it has cooled. The saw blade becomes very hot while working.



Warning! Cutting plastics, sap coated wood, and other materials may cause melted material to accumulate on the blade tips and the body of the saw blade, increasing the risk of the blade overheating and binding while cutting.

Safety of others

- ◆ This charger can be used by children aged from 8 years and above and persons with reduced physical, sensory or mental capabilities or lack of experience and knowledge if they have been given supervision or instruction concerning use of the appliance in a safe way and understand the hazards involved.
- ◆ Children shall not play with the appliance. Cleaning and user maintenance shall not be made by children without supervision.

Residual risks

The following risks are inherent to the use of saws:

Even with the application of the relevant safety regulations and the implementation of safety devices, certain residual risks can not be avoided. These include:

- ◆ Injuries caused by touching any rotating/moving parts.
- ◆ Impairment of hearing.
- ◆ Risk of accidents caused by the uncovered parts of the rotating saw blade.
- ◆ Risk of injury when changing any parts, blades or accessories.
- ◆ Risk of squeezing fingers when opening the guards.
- ◆ Health hazards caused by breathing dust developed when sawing wood, especially oak, beech and MDF.
- ◆ Injuries caused by prolonged use of a tool. When using any tool for prolonged periods ensure you take regular breaks.

Noise

The declared noise emission values have been measured in accordance with a standard test method and may be used for comparing one tool with another.

The declared noise emission values may also be used in a preliminary assessment of exposure.

Warning! The noise emissions during actual use of the power tool can differ from the declared values depending on the ways in which the tool is used especially what kind of workpiece is processed.

Warning! Always wear proper personal hearing protection. Under some conditions and duration of use, noise from this product may contribute to hearing loss. Be aware of the following factors influencing exposure to noise:

- ◆ Use saw blades designed to reduce the emitted noise,
- ◆ Use only well sharpened saw blades, and
- ◆ Use specifically designed noise-reduction saw blades.

Labels on tool

The following pictograms along with the date code are shown on the tool:



Warning! To reduce the risk of injury, the user must read the instruction manual.



Wear safety glasses or goggles



Wear ear protection



Wear a dust mask



This product is not to be used by children under 16



Keep hands away from blade



No Hands Zone - Keep fingers and arms away from rotational saw blades



Wear gloves when handling saw blades



Do not stare at operating lamp

Additional safety instructions for batteries and chargers

Warning! The appliance is only to be used with the power supply unit provided with the appliance.

Note: The tool's operating temperature range is recommended at 4 °C to 40 °C.

Batteries

- ◆ Never attempt to open for any reason.
- ◆ Do not expose the battery to water.
- ◆ Do not store in locations where the temperature may exceed 40 °C.
- ◆ Charge only at ambient temperatures between 10 °C and 40 °C.
- ◆ Charge only using the charger provided with the tool.
- ◆ When disposing of batteries, follow the instructions given in the section "Protecting the environment".



Do not attempt to charge damaged batteries.

Chargers

- ◆ Use your Stanley FatMax charger only to charge the battery in the tool with which it was supplied. Other batteries could burst, causing personal injury and damage.
- ◆ Never attempt to charge non-rechargeable batteries.
- ◆ Have defective cords replaced immediately.
- ◆ Do not expose the charger to water.
- ◆ Do not open the charger.
- ◆ Do not probe the charger.



The charger is intended for indoor use only.



Read the instruction manual before use.

Electrical safety



Your charger is double insulated; therefore no earth wire is required. Always check that the mains voltage corresponds to the voltage on the rating plate. Never attempt to replace the charger unit with a regular mains plug.

- ◆ If the supply cord is damaged, it must be replaced by the manufacturer or an authorised Stanley FatMax Service Centre in order to avoid a hazard.

Features

This tool includes some or all of the following features.

1. Trigger switch
2. Operating handle
3. Mounting holes
4. Lower Guard
5. Mitre locking knob
6. Mitre latch button
7. Kerf plate
8. Mitre scale
9. Mitre scale indicator
10. Carry grips
11. Fence
12. Bevel lock knob
13. Rails
- 13a. Velcro strap
14. Dust port
15. Battery pack
16. Work light switch
17. Lock off lever
18. Rail lock screw
19. Clamp mounting hole
20. Lock down pin

Assembly (Fig. A)

Your mitre saw is part assembled in the carton.

- ◆ Open the box and lift the saw out by using the carry grips (10) in the base of the saw (Fig. A).
- ◆ Place the saw on a smooth, flat surface such as a workbench or strong table.
- ◆ Examine Assembly diagram on page 2 of this manual to become familiar with the saw and its various parts. The section on adjustments will refer to these terms and you must know what and where the parts are.
- ◆ The mitre locking knob (5) is not assembled for shipping. Remove the mitre locking knob (5) from the packaging and screw onto the saw, see figure G and J for position.
- ◆ Your saw has a built-in dust port (14) that allows either the supplied, but not assembled, dust bag (35) or shop vacuum system to be connected (Fig. N).

Kerf plate (Fig. J)

The kerf plate (7) is mounted to the table by 6 screws. The kerf plate (7) height is not adjustable.

Note: If the kerf plate (7) is worn, damaged or needs to be replaced, repairs should be carried out by authorised repair agents or STANLEY FATMAX service staff.

Lock down pin (Fig. F)

Warning! The lock down pin should be used ONLY when carrying or storing the saw. NEVER use the lock down pin for any cutting operation.

Note: To lift, carry and support the mitre saw during transport use the two carrying handles (10) located on both sides of the mitre saw base (Fig. A).

To lock the saw head in the down position, push the saw head down, push the lock down pin (20) in and release the saw head. This will hold the saw head safely down for transporting the saw from place to place. To release, press the saw head down and pull the pin out.

Warning! Always be sure that the tool is switched off and the battery is removed from the tool before adjusting or checking the tools function.

Charging a battery (fig. B)

The battery needs to be charged before first use and whenever it fails to produce sufficient power on jobs that were easily done before.

The battery may become warm while charging; this is normal and does not indicate a problem.



Warning! Do not charge the battery at ambient temperatures below 10 °C or above 40 °C. Recommended charging temperature: approx. 24 °C.





Note: The charger will not charge a battery if the cell temperature is below approximately 10 °C or above 40 °C. The battery should be left in the charger and the charger will begin to charge automatically when the cell temperature warms up or cools down.

Note: To ensure maximum performance and life of lithium-ion battery packs, charge the battery pack fully before first use.

- ◆ Plug the charger (21) into an appropriate outlet before inserting battery pack (15).
- ◆ The green charging light (21a) will blink continuously indicating that the charging process has started.
- ◆ The completion of charge will be indicated by the green charging light (21a) remaining ON continuously. The battery pack (15) is fully charged and may be removed and used at this time or left in the charger (21).
- ◆ Charge discharged batteries within 1 week. Battery life will be greatly diminished if stored in a discharged state.

Charger LED Modes

	<p>Charging: Green LED Intermittent</p>	
---	--	--

	Fully Charged: Green LED Solid	
	Hot/Cold Pack Delay: Green LED Intermittent Red LED Solid	

Note: The compatible charger(s) will not charge a faulty battery pack. The charger will indicate a faulty battery pack by refusing to light.

Note: This could also mean a problem with a charger. If the charger indicates a problem, take the charger and battery pack to be tested at an authorized service centre.

Leaving the battery in the charger

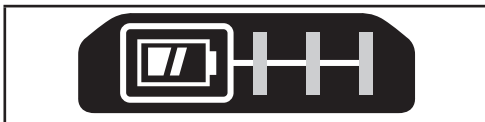
The charger and battery pack can be left connected with the LED glowing indefinitely. The charger will keep the battery pack fresh and fully charged.

Hot/Cold Pack Delay

When the charger detects a battery that is too hot or too cold, it automatically starts a Hot/Cold Pack Delay, the green LED (21a) will flash intermittently, while the red LED (21b) will remain on continuously, suspending charging until the battery has reached an appropriate temperature. The charger then automatically switches to the pack charging mode. This feature ensures maximum battery life.

Battery state of charge indicator (Fig. C)

The battery includes a state of charge indicator to quickly determine the extent of battery life as shown in figure B. By pressing the state of charge button (15a) you can easily view the charge remaining in the battery as illustrated in figure C.



Fitting and removing the battery (fig. D, E)

- ◆ To fit the battery (15), line it up with the receptacle on the tool (22). Slide the battery into the receptacle and push until the battery snaps into place.
- ◆ To remove the battery, push the battery release button (15b) while at the same time pulling the battery out of the receptacle as shown in figure E.

Changing or Installing a New Saw Blade (Fig. G, H, I)

Warning! To reduce the risk of serious personal injury, turn tool off and remove the battery pack before transporting, making any adjustments or removing/installing attachments or accessories. An accidental start-up can cause injury.

Removing the Blade

- ◆ Remove battery pack (15) from the saw.
- ◆ Raise the arm to the upper position and raise the lower guard (4) as far as possible.
- ◆ Loosen, but do not remove the guard bracket front screw (24) until the bracket (25) can be raised far enough to access the blade screw (26). Lower guard will remain raised due to the position of the guard bracket screw.
- ◆ Depress the spindle lock button (28) while carefully rotating the saw blade (29) by hand until the lock engages.
- ◆ Keeping the button depressed, use the other hand and the hex side of the wrench provided to loosen the blade screw (26). (Turn clockwise, left-hand threads.)
- ◆ Remove the blade screw (26) using the hex side of the wrench provided, the outer clamp washer (30) and blade (29). The inner clamp washer (31) may be left on the spindle (32).

Installing a Blade

- ◆ Remove battery pack (15) from the saw.
- ◆ With the arm raised, the lower guard (4) held open and the guard bracket (25) raised, place the blade (29) on the spindle (32) and against the inner blade clamp (31) with the teeth on the blade pointing in the direction of rotation as marked on the saw.
- ◆ Assemble the outer clamp washer (30) onto the spindle (32).
- ◆ Install the blade screw (26) and, engaging the spindle lock (28), tighten the screw (26) firmly with wrench provided (turn counterclockwise, left-hand threads).
- ◆ Return the guard bracket (25) to its original full down position and firmly tighten the guard bracket screw (24) to hold bracket in place.

Cut line guidance system

Warning! Do not stare into work light. Serious eye injury could result.

Note: The battery must be charged and connected to the mitre saw.

The cut line guidance system can only be turned On or Off by the work light switch (16).

To cut through an existing pencil line on a piece of wood, turn on the cut line guidance system using the work light switch (16) (not with the main trigger), then pull down on the operating handle (2) to bring the saw blade close to the wood.

The shadow of the blade will appear on the wood. This shadow line represents the material that the blade will remove when performing a cut.

To correctly locate your cut to the pencil line, align the pencil line with the edge of the blade's shadow. Keep in mind that you may have to adjust the mitre or bevel angles in order to match the pencil line exactly.

Your saw is equipped with a battery fault feature. The work light begins to flash when the battery is near the end of its useful charge, or when the battery is too hot. Charge the battery prior to continuing cutting applications. Refer to charging procedure under Important safety instructions for battery packs for battery charging instructions.

Mitre control (Fig. J)

The mitre lock knob (5) and mitre latch button (6) allow you to mitre your saw to 47° right and 47° left. The mitre latch will automatically locate at 0°, 15°, 22.5°, 31.6° and 45° both left and right. To mitre the saw, unlock the mitre lock mechanism by turning the mitre lock knob (5) anti clockwise to unlock and clockwise to lock. Pull the mitre latch button (6) up, and set the mitre angle desired on the mitre scale (8). Lock the mitre lock knob (5) by turning clockwise.

Bevel Lock Knob (Fig. K)

The bevel lock allows you to bevel the saw 48° to the left. To adjust the bevel setting, turn the bevel lock knob (12) counterclockwise to loosen. To tighten, turn the bevel lock knob clockwise.

Caution! Pinch hazard. Be sure to tighten bevel lock knob before adjusting overrides.

Trigger Switch (Fig. L)

To turn the saw on, push the lock-off lever (17) to the left, then depress the trigger switch (1). The saw will run while the switch is depressed. Allow the blade to spin up to full operating speed before making the cut. To turn the saw off, release the switch. Allow the blade to stop before raising the saw head. There is no provision for locking the switch on. A hole (1a) is provided in the trigger for insertion of a padlock to lock the switch off.

Your saw is not equipped with an automatic electric blade brake, but the saw blade should stop within 5 seconds of trigger release. This is not adjustable. If the stop time repeatedly exceeds 5 seconds, have the tool serviced by an authorised Stanley FatMax service centre.

Always be sure the blade has stopped before removing it from the kerf.

Dust Extraction (Fig. M)

Warning! To reduce the risk of serious personal injury, turn tool off and remove the battery pack before transporting, making any adjustments or removing/installing attachments or accessories. An accidental start-up can cause injury.

Your saw has a built-in dust port (14) that allows either the supplied dust bag (35) or a shop vacuum system to be connected.

To attach the dust bag

- ◆ Fit the dust bag (35) to the dust port (14) as shown in Figure M.

- ◆ A vacuum tube (38 - not provided) can be fitted to the dust port (14) rather than the dust bag (35). This can be done by fitting your vacuum tube (38) in place of the dust bag (35), see figure M.
- ◆ Use the velcro strap (13a) to hold your vacuum tube (38) clear from the sliding rails (13) whilst operating the saw.

Note: The velcro strap (13a) is not a carrying handle and should not be used to move or transport the saw.

To empty the dust bag

- ◆ Remove dust bag (35) from the saw and gently shake or tap the dust bag to empty.
- ◆ Reattach the dust bag back onto the dust port (14).

You may notice that all the dust will not come free from the bag. This will not affect cutting performance but will reduce the saw's dust collection efficiency. To restore your saw's dust collection efficiency, depress the spring inside the dust bag when you are emptying it and tap it on the side of the trash can or dust receptacle.

Warning! Never operate this saw unless the dust bag is in place. Wood dust may create a breathing hazard.

Cutting with your saw

If the slide feature is not used, ensure the saw head is pushed back as far as possible and the rail lock screw (18) is tightened. This will prevent the saw from sliding along its rails as the workpiece is engaged.

Note: DO NOT CUT FERROUS METALS OR MASONRY WITH THIS SAW (NON FERROUS METALS CAN BE CUT BY THIS SAW. Do not use any abrasive blades.

Note: Refer to guard actuation and visibility in the adjustments section for important information about the lower guard before cutting.

Crosscuts (fig. N)

A crosscut is made by cutting wood across the grain at any angle. A straight crosscut is made with the mitre arm at the zero degree position. Set and lock the mitre arm at zero, hold the wood firmly on the table and against the fence. With the rail lock screw (18) tightened, turn on the saw by squeezing the trigger switch (1).

When the saw comes up to speed (about 1 second) lower the arm smoothly and slowly to cut through the wood. Let the blade come to a full stop before raising arm.

When cutting anything larger than a 2 x 4 (51 x 102), use an out-down-back motion with the rail lock screw (18) loosened. Pull the saw out, toward you, lower the saw head down toward the work piece, and slowly push the saw back to complete the cut. Do not allow the saw blade to contact the top of the work piece while pulling out. The saw may run toward you, possibly causing personal injury or damage to the work piece.

Warning! Always use a work clamp to maintain control and reduce the risk of work piece damage and personal injury, if your hands are required to be within 6" (152 mm) of the blade during the cut.

Note! The rail lock screw (18) must be loose to allow the saw to slide along its rails.

Mitre crosscuts are made with the mitre arm at some angle other than zero.

This angle is often 45° for making corners, but can be set anywhere from zero to 47° left or 47° right. Make the cut as described above.

When performing a mitre cut on work pieces wider than a 2 x 6 that are shorter in length, always place the longer side against the fence (Fig. O).

To cut through an existing pencil line on a piece of wood, match the angle as close as possible. Cut the wood a little too long and measure from the pencil line to the cut edge to determine which direction to adjust the mitre angle and recut. This will take some practice, but it is a commonly used technique.

Bevel cuts

A bevel cut is a crosscut made with the saw blade leaning at an angle to the wood. In order to set the bevel, loosen the bevel lock knob (12), and move the saw to the left as desired. Once the desired bevel angle has been set, tighten the bevel lock firmly. Bevel angles can be set from 3° right to 48° left.

Quality of cut

The smoothness of any cut depends on a number of variables. Things like material being cut, blade type, blade sharpness and rate of cut all contribute to the quality of the cut. When smoothest cuts are desired for moulding and other precision work, a sharp (60 tooth carbide tip) blade and a slower, even cutting rate will produce the desired results.

Ensure that the material does not move or creep while cutting; clamp it securely in place.

Always let the blade come to a full stop before raising arm. If small fibres of wood still split out at the rear of the work piece, stick a piece of masking tape on the wood where the cut will be made. Saw through the tape and carefully remove tape when finished.

For varied cutting applications, refer to the list of recommended saw blades for your saw and select the one that best fits your needs. Refer to Saw Blades under Optional Accessories.

Body and hand position (fig. O1–O4)

Proper positioning of your body and hands when operating the mitre saw will make cutting easier, more accurate and safer. Never place hands near cutting area. Place hands no closer than 6" (152 mm) from the blade. Hold the work piece tightly to the table and the fence when cutting. Keep hands in position until the trigger has been released and the blade has completely stopped.

ALWAYS MAKE DRY RUNS (UN-POWERED) BEFORE FINISH CUTS SO THAT YOU CAN CHECK THE PATH OF THE BLADE. DO NOT CROSS HANDS, AS SHOWN IN FIGURE O3.

Keep both feet firmly on the floor and maintain proper balance. As you move the mitre arm left and right, follow it and stand slightly to the side of the saw blade. Sight through the guard louvres when following a pencil line.

Clamping the work piece

Warning! To reduce the risk of serious personal injury, turn tool off and remove the battery pack before transporting, making any adjustments or removing/installing attachments or accessories. An accidental start-up can cause injury.

Warning! A work piece that is clamped, balanced and secure before a cut may become unbalanced after a cut is completed. An unbalanced load may tip the saw or anything the saw is attached to, such as a table or workbench. When making a cut that may become unbalanced, properly support the work piece and ensure the saw is firmly bolted to a stable surface. Personal injury may occur.

Warning! The clamp foot must remain clamped above the base of the saw whenever the clamp is used. Always clamp the work piece to the base of the saw – not to any other part of the work area. Ensure the clamp foot is not clamped on the edge of the base of the saw.

Warning! Always use a work clamp to maintain control and reduce the risk of work piece damage and personal injury, if your hands are required to be within 6" (152 mm) of the blade during the cut. If you cannot secure the work piece on the table and against the fence by hand (irregular shape, etc.), or your hand would be less than 6" (152 mm) from the blade, a clamp or other fixture must be used.

Use the material clamp provided with your saw. To purchase a material clamp, contact your local retailer or Stanley FatMax service centre.

Other aids such as spring clamps, bar clamps or C-clamps may be appropriate for certain sizes and shapes of material. Use care in selecting and placing these clamps. Take time to make a dry run before making the cut.

To install clamp (fig. P)

- ◆ Insert the clamp (37) into the hole (19) behind the fence. The clamp should be facing toward the back of the mitre saw. The groove on the clamp rod should be fully inserted into the base. Ensure this groove is fully inserted into the base of the mitre saw. If the groove is visible, the clamp will not be secure.
- ◆ Rotate the clamp 180° toward the front of the mitre saw.
- ◆ Loosen the knob to adjust the clamp up or down, then use the fine adjust knob to firmly clamp the work piece.

Note: Place the clamp on the opposite side of the base when bevelling. ALWAYS MAKE DRY RUNS (UN-POWERED) BEFORE FINISH CUTS TO CHECK THE PATH OF THE BLADE. ENSURE THE CLAMP DOES NOT INTERFERE WITH THE ACTION OF THE SAW OR GUARDS.

Adjustments

Your mitre saw is fully and accurately adjusted at the factory at the time of manufacture. If readjustment due to shipping and handling or any other reason is required, follow the instructions below to adjust your saw.

Once made, these adjustments should remain accurate. Take a little time now to follow these directions carefully to maintain the accuracy of which your saw is capable.

Mitre scale adjustment (fig. Q1)

Lock the arm in the down position. Unlock the mitre lock knob (5) and swing the mitre arm until the mitre latch button (6) locks it at the 0° mitre position. Do not lock the mitre lock knob. Place a square against the saw's fence and blade, as shown. (Do not touch the tips of the blade teeth with the square. To do so will cause an inaccurate measurement.) If the saw blade is not exactly perpendicular to the fence, loosen and move the material fence until the blade is perpendicular to the fence, as measured with the square. Pay no attention to the reading of the mitre pointer at this time.

Bevel square to table adjustment (Fig. Q2)

To align the blade square to the table, lock the arm in the down position with the lock down pin (20). Place a square against the blade, ensuring the square is not on top of a tooth. Loosen the bevel lock knob (5) and ensure the arm is firmly against the 0° bevel stop. Rotate the 0° bevel adjustment screw with the 1/2" (12.7 mm) socket (not provided) as necessary so that the blade is at 0° bevel to the table, as measured with the square.

Guard actuation and visibility (Fig. V)

Warning! Pinch hazard. To reduce the risk of injury, keep thumb underneath the operating handle when pulling the handle down. The lower guard will move up as the operating handle is pulled down, which could cause pinching. The lower guard (4) on your saw has been designed to automatically uncover the blade when the arm is brought down and to cover the blade when the arm is raised.

Before each use or after making adjustments, cycle the arm (un-powered) and make sure the guard opens smoothly and closes fully. It should not contact the blade. With the arm up, raise the guard (un-powered) as shown in Figure V and release. The guard should fully close rapidly.

Do not operate the saw if the guard does not move freely and fully close rapidly. Never clamp or tie the guard in an open position when operating the saw.

The guard can be raised by hand when installing or removing saw blades or for inspection of the saw.

NEVER RAISE THE LOWER GUARD MANUALLY UNLESS THE BLADE IS STOPPED.

Note: Certain special cuts of large material will require that you manually raise the guard. Refer to cutting large material under special cuts.

The front section of the guard is louvred for visibility while cutting. Although the louvres dramatically reduce flying debris, they are openings in the guard and safety glasses should be worn at all times.

Rail Guide

Periodically check the rails (13) for any play or clearance. The rails can be cleaned with a dry clean cloth.

Cutting Picture Frames, Shadow Boxes And Other Four-Sided Projects (Fig. R1, R2)

To best understand how to make the items listed here, we suggest that you try a few simple projects using scrap wood until you develop a "feel" for your saw.

Your saw is the perfect tool for mitreing corners like the one shown in Figure R1. Sketch A in Figure R2 shows a joint made by using the bevel adjustment to bevel the edges of the two boards at 45° each to produce a 90° corner. For this joint the mitre arm was locked in the zero position and the bevel adjustment was locked at 45°. The wood was positioned with the broad flat side against the table and the narrow edge against the fence. The cut could also be made by mitreing right and left with the broad surface against the fence.

Cutting trim moulding and other frames (fig. R2)

Sketch B in Figure R2 shows a joint made by setting the mitre arm at 45° to mitre the two boards to form a 90° corner. To make this type of joint, set the bevel adjustment to zero and the mitre arm to 45°. Once again, position the wood with the broad flat side on the table and the narrow edge against the fence.

Figures R1 and R2 are for four-sided objects only.

As the number of sides changes, so do the mitre and bevel angles. The chart below gives the proper angles for a variety of shapes.

Examples

Number of Sides	Mitre or Bevel Angle
4	45°
5	36°
6	30°
7	25.7°
8	22.5°

9	20°
10	18°

The chart assumes that all sides are of equal length. For a shape that is not shown in the chart, use the following formula: 180° divided by the number of sides equals the mitre (if the material is cut vertically) or bevel angle (if the material is cut laying flat).

Cutting compound mitres (fig. R3)

A compound mitre is a cut made using a mitre angle and a bevel angle at the same time. This is the type of cut used to make frames or boxes with slanting sides like the one shown in figure R3.

Note: If the cutting angle varies from cut to cut, check that the bevel lock knob and the mitre lock handle are securely locked. These must be locked after making any changes in bevel or mitre. The chart at the end of this manual (Table 1) will assist you in selecting the proper bevel and mitre settings for common compound mitre cuts. To use the chart, select the desired angle A (Fig. R3) of your project and locate that angle on the appropriate arc in the chart. From that point follow the chart straight down to find the correct bevel angle and straight across to find the correct mitre angle.

Set your saw to the prescribed angles and make a few trial cuts. Practice fitting the cut pieces together until you develop a feel for this procedure and feel comfortable with it.

Example: To make a 4-sided box with 26° exterior angles (Angle A, Fig. R3), use the upper right arc. Find 26° on the arc scale. Follow the horizontal intersecting line to either side to get mitre angle setting on saw (42°). Likewise, follow the vertical intersecting line to the top or bottom to get the bevel angle setting on the saw (18°). Always try cuts on a few scrap pieces of wood to verify the settings on the saw.

Cutting base moulding (fig. S)

Straight 90° cuts:

Position the wood against the fence and hold it in place as shown in Figure S. Turn on the saw, allow the blade to reach full speed and lower the arm smoothly through the cut.

Cutting base moulding up to 3.5" (90 mm) high vertically against the Fence

Position material as shown in Figure S. All cuts should be made with the back of the moulding against the fence and with the bottom of the moulding against the table.

	Inside Corner	Outside Corner
Left Side	Mitre left 45° Save left side of cut	Mitre right 45° Save left side of cut
Right Side	Mitre right 45° Save right side of cut	Mitre left 45° Save right side of cut

Material up to 3.5" (90 mm) can be cut as described above.

Cutting crown moulding

In order to fit properly, crown moulding must be compound mitred with extreme accuracy.

The two flat surfaces on a given piece of crown moulding are at angles that, when added together, equal exactly 90°. Most, but not all, crown moulding has a top rear angle (the section that fits flat against the ceiling) of 52° and a bottom rear angle (the part that fits flat against the wall) of 38°.

Your mitre saw has special preset mitre detent points at 31.6° left and right for cutting crown moulding at the proper angle.

There is also a mark on the bevel scale at 33.8°.

The Bevel Setting/Type of Cut chart gives the proper settings for cutting crown moulding. (The numbers for the mitre and bevel settings are very precise and are not easy to accurately set on your saw.) Since most rooms do not have angles of precisely 90°, you will have to fine tune your settings anyway.

Instructions for cutting crown moulding laying flat and using the compound features

- ◆ Lay the moulding with broad back surface down flat on saw table (36) (fig. T1).
- ◆ The settings below are for all Standard crown moulding with 52° and 38° angles.

Bevel Setting	Type Of Cut
33.8°	LEFT SIDE, INSIDE CORNER: 1. Top of moulding against fence 2. Mitre table set right 31.62° 3. Save left end of cut
33.8°	RIGHT SIDE, INSIDE CORNER: 1. Bottom of moulding against fence 2. Mitre table set left 31.62° 3. Save left end of cut
33.8°	LEFT SIDE, OUTSIDE CORNER: 1. Bottom of moulding against fence 2. Mitre table set left 31.62° 3. Save right end of cut
33.8°	RIGHT SIDE, OUTSIDE CORNER: 1. Top of moulding against fence 2. Mitre table set right 31.62° 3. Save right end of cut

Note: When setting bevel and mitre angles for all compound mitres, remember that the angles presented for crown mouldings are very precise and difficult to set exactly. Since they can easily shift slightly and very few rooms have exactly square corners, all settings should be tested on scrap moulding.

Alternative method for cutting crown moulding

Place the moulding at an angle between the fence (11) and the saw table (36), with the top side of the moulding on the table and the bottom side of the moulding on the fence as shown in figure T1.

The advantage to cutting crown moulding using this method is that no bevel cut is required.

Minute changes in the mitre angle can be made without affecting the bevel angle. This way, when corners other than 90° are encountered, the saw can be quickly and easily adjusted for them.

Instructions for cutting crown moulding angled between the fence and base of the saw for all cuts

This saw can cut up to 9/16" (14 mm) x 3-5/8" (92 mm) crown moulding nested.

- ◆ Angle the moulding so the bottom of the moulding (part which goes against the wall when installed) is against the fence (11) and the top of the moulding is resting on the saw table (36), as shown in figure T2.
- ◆ The angled "flats" on the back of the moulding must rest squarely on the fence and saw table (36).

	Inside Corner	Outside Corner
Left Side	Mitre right at 45° Save right side of cut	Mitre left at 45° Save right side of cut
Right Side	Mitre left at 45° Save left side of cut	Mitre right at 45° Save left side of cut

Special Cuts

Never make any cut unless the material is secured on the table and against the fence.

Bowed material (fig. U1, U2)

When cutting bowed material always position it as shown in figure U1 and never like that shown in figure U2. Positioning the material incorrectly will cause it to pinch the blade near the completion of the cut.

Cutting round material

Rounded material should be clamped or held firmly to the fence to keep it from rolling. This is extremely important when making angle cuts.

Cutting large material (fig. V)

Occasionally you will encounter a piece of wood a little too large to fit beneath the lower guard. To clear the guard over the wood, with the saw off and your right hand on the operating handle, place your right thumb outside of the upper portion of the guard and roll the guard up just enough to clear the wood, as shown in figure V. Release the guard prior to starting the motor. The guard mechanism will function properly during the cut. Only do this when necessary.

NEVER TIE, TAPE, OR OTHERWISE HOLD THE GUARD OPEN WHEN OPERATING THIS SAW.

Maintenance

Warning! To reduce the risk of serious personal injury, turn tool off and remove the battery pack before transporting, making any adjustments or removing/installing attachments or accessories. An accidental start-up can cause injury.

Warning! To reduce the risk of serious personal injury, DO NOT touch the sharp points on the blade with fingers or hands while performing any maintenance.

DO NOT use lubricants or cleaners (particularly spray or aerosol) in the vicinity of the plastic guard. The polycarbonate material used in the guard is subject to attack by certain chemicals.

- ◆ All bearings are sealed. They are lubricated for life and need no further maintenance.
- ◆ Periodically clean all dust and wood chips from around AND UNDER the base and the rotary table. Even though slots are provided to allow debris to pass through, some dust will accumulate.
- ◆ The brushes are designed to give you several years of use. If they ever need replacement, return the tool to the nearest service centre for repair.

Troubleshooting

Problem	Possible Cause	Solution
Saw will not start.	Battery not installed.	Install battery. Refer to Installing and Removing Battery Pack.
	Battery not charged.	Charge battery. Refer to Charging Procedure.
	Brushes worn out	Have brushes replaced by authorised service centre.
Saw makes unsatisfactory cuts.	Dull blade.	Replace blade. Refer to Changing or Installing a New Saw Blade.
	Blade mounted backwards.	Turn blade around. Refer to Changing or Installing a New Saw Blade.
	Gum or pitch on blade.	Remove blade and clean with coarse steel wool and turpentine or household oven cleaner.
	Incorrect blade for work being done.	Change the blade type.
Work light is flashing.	Battery not charged	Charge battery. Refer to Charging Procedure.
Machine vibrates excessively.	Saw not mounted securely to stand or work bench.	Tighten all mounting hardware. Refer to Bench Mounting
	Stand or bench on uneven floor.	Reposition on flat level surface.
	Damaged saw blade.	Replace blade. Refer to Changing or Installing a New Saw Blade.
Does not make accurate mitre cuts.	Mitre scale not adjusted correctly.	Check and adjust. Refer to Mitre Scale Adjustment under Adjustments.
	Blade is not square to fence.	Check and adjust. Refer to Mitre Scale Adjustment under Adjustments.
	Blade is not perpendicular to table.	Check and adjust fence. Refer to Bevel Square to Table Adjustment under Adjustments.
	Work piece moving	Clamp work piece securely to fence or glue 120 grit sandpaper to fence with rubber cement.
	Kerf plate worn or damaged.	Take to authorised service centre.
Material pinches blade.	Cutting bowed material.	Refer to Bowed Material under Special Cuts.

Protecting the environment



Separate collection. Products and batteries marked with this symbol must not be disposed of with normal household waste.

Products and batteries contain materials that can be recovered or recycled reducing the demand for raw materials. Please recycle electrical products and batteries according to local provisions. Further information is available at www.2helpU.com

Technical data

SFMCS701 (H1)			
Voltage	V		18
Speed	/min		3,800
Blade outer diameter	mm		190
Bore diameter	mm		16
Blade max. kerf	mm		1.8
Weight without battery	kg		10
Blade thickness	mm		1.0
Mitre (max. positions)	°		47
Bevel (max. positions)	°		47
0 deg. mitre	horizontal	mm	50 x 216
	vertical	mm	90 x 15
45 deg. mitre right	horizontal	mm	50 x 152
	vertical	mm	90 x 15
45 deg. mitre left	horizontal	mm	50 x 152
	vertical	mm	90 x 15
45 deg. bevel left	horizontal	mm	50 x 152
	vertical	mm	50 x 15

Battery		SFMCB201	SFMCB202	SFMCB204	SFMCB206
Voltage	V _{DC}	18	18	18	18
Capacity	Ah	1.5	2.0	4.0	6.0
Type		Li-Ion	Li-Ion	Li-Ion	Li-Ion

Charger		SFMCB11	SFMCB12	SFMCB14
Input Voltage	V _{AC}	230	230	230
Output Voltage	V _{DC}	18	18	18
Current	A	1.25	2	4

Level of sound pressure according to EN 62841:	
L _{PA} (sound pressure)	83.0 dB(A), Uncertainty (K) 3 dB(A)
L _{WA} (sound power)	94.5 dB(A), Uncertainty (K) 3 dB(A)

EC declaration of conformity

MACHINERY DIRECTIVE



SFMCS701 Sliding Compound Mitre Saw

Stanley Europe declares that these products described under "technical data" are in compliance with:
EN62841-1:2015, EN62841-3-9:2015+A11:2017

These products also comply with Directive 2006/42/EC, 2014/30/EU and 2011/65/EU.

For more information, please contact STANLEY FATMAX at the following address or refer to the back of the manual.

The undersigned is responsible for compilation of the technical file and makes this declaration on behalf of STANLEY FATMAX.

Ed Higgins
Director – Consumer Power Tools
Stanley Europe, Egide Walschaertsstraat14-18,
2800 Mechelen, Belgium
08/05/2020

Guarantee

Stanley Europe is confident of the quality of its products and offers consumers a 12 month guarantee from the date of purchase. This guarantee is in addition to and in no way prejudices your statutory rights. The guarantee is valid within the territories of the Member States of the European Union and the European Free Trade Area.

To claim on the guarantee, the claim must be in accordance with STANLEY FATMAX Terms and Conditions and you will need to submit proof of purchase to the seller or an authorised repair agent. Terms and conditions of the Stanley Europe 1 year guarantee and the location of your nearest authorised repair agent can be obtained on the Internet at www.2helpU.com, or by contacting your local Stanley Europe office at the address indicated in this manual.

Please visit our website www.stanley.eu/3 to register your new STANLEY FATMAX product and receive updates on new products and special offers.

Verwendungszweck

Ihre verstellbare Kappgehrungssäge SFMCS701 von STANLEY FATMAX wurde ausschließlich zum Sägen von Holz, Kunststoff und Buntmetallen entwickelt. Dieses Gerät ist zum gewerblichen und privaten Einsatz vorgesehen.

Sicherheitshinweise

Allgemeine Sicherheitswarnhinweise für Elektrowerkzeuge



Warnung! Beachten Sie alle Sicherheits-hinweise, Anweisungen, Darstellungen und Daten, die Sie mit dem Gerät erhalten. Das Nichtbeachten der unten aufgeführten Warnhinweise und Anweisungen kann zu elektrischem Schlag, Brand und/oder schweren Verletzungen führen.

Bewahren Sie alle Warnhinweise und alle Anweisungen auf. Der Begriff „Elektrowerkzeug“ in den Warnhinweisen bezieht sich auf Ihr netzbetriebenes Elektrowerkzeug (mit Kabel) oder auf Ihr akkubetriebenes (kabelloses) Elektrowerkzeug.

1. Sicherheit im Arbeitsbereich

- a. **Halten Sie Ihren Arbeitsbereich sauber und gut ausgeleuchtet.** Unaufgeräumte oder dunkle Bereiche begünstigen Unfälle.
- b. **Betreiben Sie das Gerät nicht in Umgebungen, in denen Explosionsgefahr z. B. aufgrund von brennbaren Flüssigkeiten, Gasen oder Staub besteht.** Elektrowerkzeuge erzeugen Funken, die den Staub oder die Dämpfe entzünden können.
- c. **Halten Sie Kinder und andere Personen während der Benutzung eines Geräts fern.** Ablenkung kann dazu führen, dass Sie die Kontrolle über das Gerät verlieren.

2. Elektrische Sicherheit

- a. **Der Netzstecker des Geräts muss in die Steckdose passen. Ändern Sie niemals den Stecker in irgendeiner Form. Verwenden Sie keinerlei Adapterstecker an geerdeten Elektrogeräten.** Unveränderte Stecker und passende Steckdosen mindern die Gefahr eines elektrischen Schlages.
- b. **Vermeiden Sie Körperkontakt mit geerdeten Oberflächen von Rohren, Heizungen, Herden und Kühlschränken.** Es besteht eine erhöhte Gefahr für einen elektrischen Schlag, wenn Ihr Körper geerdet ist.
- c. **Halten Sie Geräte von Regen und Nässe fern.** Wenn Wasser in das Elektrogerät eindringt, erhöht sich die Gefahr eines elektrischen Schlages.
- d. **Verwenden Sie das Kabel ordnungsgemäß.**

Verwenden Sie niemals das Kabel, um das Elektrogerät zu tragen oder durch Ziehen vom Netz zu trennen. Halten Sie das Kabel fern von Hitze, Öl, scharfen Kanten oder beweglichen Teilen. Beschädigte oder verhedderte Kabel erhöhen die Gefahr eines elektrischen Schlages.

- e. **Verwenden Sie nur für den Außenbereich zugelassene Verlängerungskabel, wenn Sie mit dem Gerät im Freien arbeiten.** Die Verwendung von für den Außeneinsatz geeigneten Kabeln mindert die Gefahr eines elektrischen Schlages.
 - f. **Wenn das Gerät in einer feuchten Umgebung verwendet werden muss, schließen Sie es unbedingt an eine Steckdose mit Fehlerstromschutzschalter (FI-Schalter) an.** Der Einsatz eines Fehlerstromschutzschalters mindert die Gefahr eines elektrischen Schlages.
- #### 3. Persönliche Sicherheit
- a. **Seien Sie aufmerksam, achten Sie darauf, was Sie tun, und gehen Sie sachgerecht mit einem Gerät um. Benutzen Sie kein Elektrowerkzeug, wenn Sie müde sind oder unter dem Einfluss von Drogen, Alkohol oder Medikamenten stehen.** Ein Moment der Unachtsamkeit beim Betrieb eines Elektrogeräts kann zu schweren Verletzungen führen.
 - b. **Verwenden Sie eine geeignete Schutzausrüstung. Tragen Sie immer einen Augenschutz.** Das Tragen persönlicher Schutzausrüstung, wie Staubmaske, rutschfeste Sicherheitsschuhe, Schutzhelm oder Gehörschutz, je nach Art und Einsatz des Elektrowerkzeuges, verringert das Risiko von Verletzungen.
 - c. **Vermeiden Sie eine unbeabsichtigte Inbetriebnahme. Vergewissern Sie sich, dass der Schalter in der AUS-Position ist, bevor Sie das Gerät an die Stromversorgung und/oder an den Akku anschließen oder wenn Sie das Gerät aufnehmen oder tragen.** Wenn Sie beim Tragen des Elektrowerkzeuges den Finger am Schalter haben oder das Gerät eingeschaltet an die Stromversorgung anschließen, kann dies zu Unfällen führen.
 - d. **Entfernen Sie Einstell- oder Schraubenschlüssel, bevor Sie das Gerät einschalten.** Werkzeuge oder Schlüssel, die an rotierenden Teilen des Elektrogerätes angebracht sind, können zu Verletzungen führen.
 - e. **Beugen Sie sich nicht zu weit nach vorne. Sorgen Sie für einen sicheren Stand und halten Sie jederzeit das Gleichgewicht.** Dadurch können Sie das Elektrowerkzeug in unerwarteten Situationen besser kontrollieren.
 - f. **Tragen Sie geeignete Kleidung. Tragen Sie keine weite Kleidung und keinen Schmuck.**

Halten Sie Ihre Haare, Kleidung und Handschuhe von beweglichen Teilen fern. Lose sitzende Kleidung, Schmuck oder lange Haare können sich in den beweglichen Teilen verfangen.

- g. Falls Vorrichtungen zum Absaugen oder Auffangen von Staub vorhanden sind, vergewissern Sie sich, dass diese angeschlossen sind und richtig verwendet werden.** Der Einsatz von Staubsaugern kann staubbedingte Gefahren mindern.

Vermeiden Sie, durch die häufige Nutzung des Werkzeugs in einen Trott zu verfallen und Prinzipien für die Werkzeugsicherheit zu ignorieren. Eine unachtsame Aktion kann im Bruchteil einer Sekunde zu schweren Verletzungen führen.

4. Gebrauch und Pflege von Elektrowerkzeugen

- a. Überlasten Sie das Gerät nicht. Verwenden Sie das für Ihre Arbeit passende Elektrogerät.** Das richtige Gerät wird die Aufgabe besser und sicherer erledigen, wenn es bestimmungsgemäß verwendet wird.

- b. Verwenden Sie das Gerät nicht, wenn der Ein-/Ausschalter nicht funktioniert.** Ein Elektrowerkzeug, das sich nicht mehr ein- oder ausschalten lässt, ist gefährlich und muss repariert werden.

- c. Ziehen Sie den Stecker aus der Steckdose, oder trennen Sie das Gerät vom Akku, bevor Sie Einstellungen vornehmen, Zubehörteile wechseln oder das Gerät lagern.** Diese Vorbeugemaßnahmen mindern die Gefahr, dass das Elektrogerät unbeabsichtigt startet.

- d. Bewahren Sie unbenutzte Geräte außerhalb der Reichweite von Kindern auf. Lassen Sie Geräte nicht von Personen benutzen, die damit nicht vertraut sind oder diese Anweisungen nicht gelesen haben.** Elektrogeräte sind in den Händen nicht geschulter Personen gefährlich.

- e. Pflegen Sie Elektrowerkzeuge und Zubehör. Prüfen Sie, ob bewegliche Teile verzogen oder ausgeschlagen, ob Teile gebrochen oder in einem Zustand sind, der den Betrieb des Elektrogerätes beeinträchtigen kann. Bei Beschädigungen lassen Sie das Elektrogerät reparieren, bevor Sie es verwenden.** Viele Unfälle entstehen wegen mangelnder Wartung der Elektrogeräte.

- f. Halten Sie Schneidgeräte scharf und sauber.** Richtig gewartete Schneidwerkzeuge mit scharfen Klingen blockieren seltener und sind leichter unter Kontrolle zu halten.

- g. Verwenden Sie Gerät, Zubehör, Einsatz-Bits usw. entsprechend diesen Anweisungen und berücksichtigen Sie dabei die Arbeitsbedingungen und die auszuführende Arbeit.**

Wenn Sie das Elektrogerät für Aufgaben verwenden, die nicht bestimmungsgemäß sind, kann dies zu gefährlichen Situationen führen.

- g. Halten Sie die Griffe trocken, sauber und frei von Öl und Fett.** Rutschige Griffe und Oberflächen unterbinden die sichere Bedienbarkeit und Kontrolle über das Werkzeug in unerwarteten Situationen.

5. Gebrauch und Pflege von Akkutowerkzeugen

- a. Laden Sie den Akku nur mit dem vom Hersteller vorgesehenen Ladegerät auf.** Für ein Ladegerät, das nur für eine bestimmte Akkuartart geeignet ist, besteht Brandgefahr, wenn es mit anderen Akkus verwendet wird.

- b. Verwenden Sie nur die für das jeweilige Gerät vorgesehenen Akkus.** Die Verwendung anderer Akkus kann zu Verletzungen oder Bränden führen.

- c. Bewahren Sie den Akku bei Nichtbenutzung nicht in der Nähe metallischer Objekte wie Büroklammern, Münzen, Schlüsseln, Nägeln oder Schrauben auf, da diese eine Verbindung zwischen beiden Polen des Akkus herstellen können.** Durch den dadurch entstehenden Kurzschluss kann der Akku in Brand geraten.

- d. Bei falscher Anwendung kann Flüssigkeit aus dem Akku austreten. Vermeiden Sie den Kontakt damit. Bei unbeabsichtigtem Kontakt mit Wasser abspülen. Gelangt die Flüssigkeit in die Augen, ziehen Sie außerdem ärztliche Hilfe hinzu.** Austretende Akkuflüssigkeit kann zu Hautreizungen oder Verbrennungen führen.

- e. Verwenden Sie kein Akkupack oder Werkzeug, das beschädigt ist oder modifiziert wurde.** Beschädigte oder modifizierte Akkus können unvorhersehbare Reaktionen auslösen und zu Bränden, Explosionen oder Verletzungen führen.

- f. Setzen Sie das Akkupack oder Werkzeug keinem Feuer oder übermäßig hohen Temperaturen aus.** Die Belastung durch Feuer oder Temperaturen über 130 °C kann zur Explosion führen.

- g. Befolgen Sie alle Ladeanweisungen und laden Sie das Akkupack oder Werkzeug nicht außerhalb des in den Anweisungen festgelegten Temperaturbereichs auf.** Ein unsachgemäßer Ladevorgang oder Temperaturen außerhalb des festgelegten Bereichs können den Akku schädigen und die Brandgefahr erhöhen.

6. Service

- a. Lassen Sie das Gerät nur von qualifiziertem Fachpersonal und nur mit Originalersatzteilen reparieren.** Damit wird sichergestellt, dass die Sicherheit des Gerätes erhalten bleibt.

- b. Führen Sie niemals Wartungsarbeiten an beschädigten Akkus durch.**

Die Wartung von Akkupacks darf nur vom Hersteller selbst oder autorisierten Dienstleistern durchgeführt werden.

Sicherheitsanweisungen für Gehrungssägen

- ◆ **Gehrungssägen sind für das Sägen von Holz oder holzähnlichen Produkten ausgelegt. Diese dürfen nicht mit Trennschleifscheiben zum Trennen von Metallen verwendet werden, beispielsweise Stangen, Stäbe, Bolzen, usw.** Schleifstaub führt dazu, dass drehende Teile blockieren, z. B. die untere Schutzvorrichtung. Durch Funken beim Trennschneiden können die untere Schutzvorrichtung, der Sägeschlitzzeinsatz und andere Kunststoffteile einbrennen.
- ◆ **Verwenden Sie nach Möglichkeit stets Schraubklammern, um das Werkstück einzuspannen. Wenn Sie das Werkstück mit der Hand fixieren, müssen Sie Ihre Hand mindestens 100 mm von beiden Seiten des Sägeblatts fernhalten. Nutzen Sie diese Säge nicht zum Schneiden von Teilen, die zu klein sind, um sicher eingespannt oder mit der Hand gehalten zu werden.** Wenn sich Ihre Hand zu nahe am Sägeblatt befindet, besteht ein höheres Verletzungsrisiko durch Kontakt mit dem Sägeblatt.
- ◆ **Das Werkstück muss fest stehen und eingespannt sein oder gegen die Eingrenzung und den Tisch gestützt werden. Führen Sie das Werkstück nicht zum Sägeblatt oder schneiden Sie es auf irgendeine Art „frei Hand“.** Nicht fixierte oder bewegliche Werkstücke können mit hohen Geschwindigkeiten weggeschleudert werden und zu Verletzungen führen.
- ◆ **Drücken Sie die Säge durch das Werkstück. Ziehen Sie die Säge nicht durch das Werkstück. Um einen Schnitt zu machen, heben Sie den Sägekopf an, ziehen Sie diesen ohne zu schneiden über das Werkstück, starten Sie den Motor, drücken Sie den Sägekopf nach unten, und drücken Sie die Säge durch das Werkstück.** Das Schneiden bei Zugspannung führt oft dazu, dass das Sägeblatt aus dem Werkstück steigt und die Sägeblattbaugruppe gewaltsam in Richtung des Bedieners schleudert.
- ◆ **Bringen Sie Ihre Hände nie in die vorgesehene Schnittlinie, wieder vor noch hinter das Sägeblatt.** Das Abstützen des Werkstücks „über Kreuz“, d. h. das Halten des Werkstücks mit der linken Hand auf der rechten Seite des Sägeblatts und umgekehrt, ist sehr gefährlich.
- ◆ **Greifen Sie beim Entfernen von Holzabfällen oder aus anderen Gründen mit den Händen auf beiden Seiten des Sägeblatts nicht näher als 100 mm hinter die Schutzabdeckung, während das Sägeblatt dreht.** Die unmittelbare Nähe des drehenden Sägeblatts ist unter Umständen nicht für Sie erkennbar und kann zu schweren Verletzungen führen.
- ◆ **Untersuchen Sie das Werkstück vor dem Schneiden.**

Wenn das Werkstück bogenförmig oder gekrümmt ist, spannen Sie es mit der nach außen gebogenen Fläche in Richtung des Anschlags ein. Stellen Sie immer sicher, dass es entlang der Schnittlinie keinen Spalt zwischen Werkstück, Anschlag und Tisch gibt.

- Bogenförmige oder gekrümmte Werkstücke können verdrehen oder verrutschen und dazu führen, dass das Sägeblatt beim Schneiden verklemt. Daher dürfen sich keine Nägel oder anderen Fremdkörper im Werkstück befinden.
- ◆ **Verwenden Sie die Säge nicht, bis alle Werkzeuge, Hölzer, Abfälle, usw. vom Tisch entfernt wurden, mit Ausnahme des Werkstücks.** Kleine Rückstände, lose Holzstücke oder andere Objekte können bei Kontakt zum drehenden Sägeblatt mit hoher Geschwindigkeit weggeschleudert werden.
 - ◆ **Schneiden Sie immer nur jeweils ein Werkstück.** Übereinander gestapelte Werkstücke können nicht angemessen eingespannt oder fixiert werden und können beim Schneiden verrutschen oder zum Blockieren des Sägeblatts führen.
 - ◆ **Stellen Sie vor der Nutzung sicher, dass die Gehrungssäge auf einer ebenen, festen Arbeitsoberfläche montiert bzw. positioniert ist.** Eine ebene und feste Arbeitsoberfläche verringert das Risiko, dass die Gehrungssäge instabil wird.
 - ◆ **Planen Sie Ihre Arbeit. Wenn Sie den Gehrungswinkel ändern, stellen Sie stets sicher, dass der einstellbare Anschlag korrekt eingestellt ist, um das Werkstück zu stützen und dieser das Sägeblatt oder die Schutzvorrichtung nicht blockiert.** Bewegen Sie das Sägeblatt, ohne das Werkzeug auf „ON (EIN)“ zu schalten und ohne ein Werkstück auf dem Tisch, durch einen vollständigen simulierten Schnitt, um sicherzustellen, dass es keine Blockaden gibt oder Gefahr besteht, dass der Anschlag getroffen wird.
 - ◆ **Stellen Sie für Werkstücke, die breiter oder länger als der Tisch sind, eine angemessene Stütze bereit, beispielsweise Tischverlängerungen, Sägeböcke, usw.** Werkstücke, die länger oder breiter als der Tisch der Gehrungssäge sind, können bei unsachgemäßer Abstützung abkippen. Wenn das abgetrennte Holzstück oder Werkstück abkippt, kann es die untere Schutzvorrichtung anheben oder durch das drehende Sägeblatt weggeschleudert werden.
 - ◆ **Verwenden Sie keine Personen als Ersatz für Tischverlängerungen bzw. als zusätzliche Stütze.** Unzureichende Unterstützung des Werkstücks kann dazu führen, dass Sägeblatt oder Werkstück beim Schneidvorgang verkleben oder verrutschen, so dass Sie und der Helfer in das drehende Sägeblatt gezogen werden.

- ◆ **Das abgetrennte Teil darf nicht blockiert oder anderweitig gegen das drehende Sägeblatt gedrückt werden.** Wenn kein Platz mehr vorhanden ist, z. B. durch einen Längenanschlag, könnte sich das abgetrennte Holzstück am Sägeblatt verkeilen und gewaltsam weggeschleudert werden.
- ◆ **Verwenden Sie stets Schraubklemmen oder Vorrichtungen, die zum ordnungsgemäßen Abstützen von Stangen oder Rohren konzipiert sind.** Stangen tendieren dazu, beim Schneiden wegzurollen, wodurch sich das Sägeblatt „festbeißt“ und das Werkstück und Ihre Hand in das Sägeblatt einzieht.
- ◆ **Lassen Sie das Sägeblatt die volle Drehzahl erreichen, bevor Sie es in Kontakt mit dem Werkstück bringen.** Dadurch wird das Risiko verringert, dass das Werkstück weggeschleudert wird.
- ◆ **Wenn Werkstück oder Sägeblatt blockiert werden, schalten Sie die Gehrungssäge aus. Warten Sie, bis alle beweglichen Teile vollständig zum Stillstand gekommen sind, ziehen Sie den Stecker aus der Steckdose, und/oder entfernen Sie das Akkupack. Dann können Sie die Blockade entfernen.** Das Fortsetzen des Sägevorgangs mit verklemmtem Werkstück kann zum Kontrollverlust und Schäden an der Gehrungssäge führen.
- ◆ **Wenn der Schnitt abgeschlossen ist, lassen Sie den Schalter los. Halten Sie den Sägekopf nach unten und warten Sie, bis das Sägeblatt stoppt, bevor Sie das abgetrennte Holzstück entfernen.** Das Greifen mit der Hand in die Nähe des drehenden Sägeblatts ist sehr gefährlich.

Zusätzliche Sicherheitshinweise für Gehrungssägen

- ◆ Die bestimmungsgemäße Verwendung ist in dieser Betriebsanleitung beschrieben. Die Verwendung von Zubehör oder Anbauteilen, die nicht in dieser Anleitung empfohlen sind, sowie die Bedienung des Geräts in Abweichung von den in dieser Anleitung beschriebenen Verfahren kann zu Verletzungen und/oder Sachschäden führen.
- ◆ Verwenden Sie keine gebrochenen/verbogenen/beschädigten/verformten Sägeblätter.
- ◆ Ersetzen Sie abgenutzte Schlitzplatten.
- ◆ Verwenden Sie keine Blätter mit einem kleineren oder größeren Durchmesser als empfohlen. Angaben über die richtigen Sägeblätter sind den Technischen Daten zu entnehmen. Verwenden Sie nur die in diesem Handbuch spezifizierten Sägeblätter im Einklang mit EN 847-1.
- ◆ Verwenden Sie keine HSS (High Speed Steel)-Sägeblätter.



Warnung! Die Berührung und das Einatmen von Stäuben, die beim Sägen von Materialien entstehen, können beim Bediener und bei Umstehenden gesundheitliche Schäden verursachen. Tragen Sie eine speziell für den Schutz vor Staub und Dämpfen vorgesehene Staubmaske, und stellen Sie sicher, dass auch andere Personen entsprechend geschützt sind, die den Arbeitsplatz betreten oder sich dort aufhalten.

- ◆ Bearbeiten Sie keinesfalls asbesthaltige Materialien. Asbest ist krebserregend.
- ◆ Tragen Sie beim Umgang mit Sägeblättern und rauen Materialien Handschuhe (Sägeblätter sollten möglichst mithilfe einer Halterung getragen werden).
- ◆ Tragen Sie Gehörschutz, um die Gefahr von lärmbedingten Hörverlust zu reduzieren.
- ◆ Verwenden Sie ggf. spezielle geräuscharme Sägeblätter.
- ◆ Tragen Sie Augenschutz, um die Gefahr von Verletzungen zu reduzieren.
- ◆ Verwenden Sie beim Sägen von Holz den mitgelieferten Staubbeutel.
- ◆ **Halten Sie das Elektrowerkzeug an den isolierten Griffflächen, wenn Arbeiten durchgeführt werden, bei denen das Schneidewerkzeug versteckte Leitungen oder die eigene Anschlussleitung berühren könnte.** Der Kontakt mit stromführenden Leitungen kann auch offen liegende Metallteile am Gerät unter Strom setzen und zu einem Stromschlag führen.
- ◆ Wählen Sie das richtige Sägeblatt für das zu schneidende Material.
- ◆ Betreiben Sie das Gerät nicht ohne Schutzvorrichtung. Betreiben Sie das Gerät nicht, wenn die Schutzvorrichtung defekt oder nicht ordnungsgemäß gewartet ist.
- ◆ Vergewissern Sie sich vor der Durchführung von Neigungsschnitten, dass der Arm sicher befestigt ist.
- ◆ Vergewissern Sie sich vor jedem Sägevorgang, dass die Maschine stabil steht.
- ◆ Achten Sie darauf, dass die Griffe trocken, sauber sowie frei von Öl und Fett sind.
- ◆ Halten Sie die Umgebung des Geräts sauber und frei von losem Material wie Spänen und Verschnittmaterial.
- ◆ Stellen Sie sicher, dass das Gerät und der Arbeitsbereich über eine angemessene allgemeine Beleuchtung oder Punktbeleuchtung verfügen.
- ◆ Das Gerät darf nicht von unerfahrenen Personen verwendet werden.
- ◆ Stellen Sie vor der Verwendung sicher, dass das Sägeblatt ordnungsgemäß angebracht ist. Vergewissern Sie sich, dass das Sägeblatt sich in die richtige Richtung dreht. Achten Sie darauf, dass das Sägeblatt scharf ist. Befolgen Sie die Anweisungen zum Schmieren und Wechseln von Zubehörteilen.

- ◆ Stellen Sie sicher, dass die auf dem Sägeblatt angegebene Drehzahl mindestens so hoch ist wie die auf der Säge angegebene Drehzahl.
- ◆ Vergewissern Sie sich, dass alle Distanz- und Spindelringe dem von STANLEY FATMAX angegebenen Zweck entsprechen.
- ◆ Reparaturen des Schnittlinienführungssystems sollten durch das Personal einer Vertragswerkstatt oder durch den STANLEY FATMAX Kundendienst erfolgen.
- ◆ Entfernen Sie den Akku vor der Durchführung der Wartung und vor dem Sägeblattwechsel aus der Maschine.
- ◆ Führen Sie keinesfalls Reinigungs- oder Wartungsarbeiten aus und entfernen Sie keinesfalls Verschnittmaterial oder andere Teile des Werkstücks, wenn das Gerät eingeschaltet ist und sich der Sägekopf nicht in der Ruhestellung befindet.
- ◆ Sofern möglich, sollte sich die Maschine immer auf einer Werkbank befinden.
- ◆ Stellen Sie vor dem Betrieb sicher, dass alle Verriegelungen und Griffe fest sitzen.
- ◆ Verwenden Sie die Säge keinesfalls ohne Tischeinlage.
- ◆ Versuchen Sie keinesfalls, das Gerät mithilfe eines Werkzeugs oder anderer Gegenstände plötzlich anzuhalten. Dadurch können ernsthafte Verletzungen verursacht werden.
- ◆ Lesen Sie vor dem Verwenden oder Anbringen von Zubehör die Anleitung. Die falsche Verwendung von Zubehör kann Sachschäden verursachen.
- ◆ Heben Sie das Sägeblatt aus der Tischeinlage im Werkstück heraus, bevor Sie den Ein-/Ausshalter loslassen.
- ◆ Blockieren Sie nie den Ventilator, um die Antriebswelle zu stoppen.
- ◆ Der Blattschutz an Ihrer Säge wird automatisch hochgezogen, wenn der Arm gesenkt wird; er schwenkt wieder zurück, wenn die Säge in die Ausgangsposition zurückkehrt. Der Blattschutz kann von Hand hochgezogen werden, wenn Sägeblätter ausgewechselt werden und wenn der Zustand der Säge geprüft werden soll. Heben Sie den Sägeblattschutz keinesfalls während des Betriebs an.
- ◆ Überprüfen Sie regelmäßig, ob die Belüftungsschlitze des Motors sauber und spanfrei sind.
- ◆ Machen Sie die Warnsymbole auf dem Gerät keinesfalls unkenntlich.
- ◆ Stützen Sie sich keinesfalls auf dem Gerät ab. Das Kippen des Geräts oder das Berühren des Sägeblatts kann ernsthafte Verletzungen verursachen.
- ◆ Berühren Sie nach dem Gebrauch das Sägeblatt erst, wenn es abgekühlt ist. Das Sägeblatt wird bei der Arbeit sehr heiß.
- ◆ Um Verletzungen durch umhergeschleuderte Materialien zu verhindern, nehmen Sie den Akku heraus, um unbeabsichtigtes Starten zu verhindern, und entfernen Sie dann kleine Materialien.
- ◆ Vor der Verwendung und nach allen Wartungsarbeiten muss der Sägeblattschutz überprüft werden, um dessen ordnungsgemäße Funktion sicherzustellen. Während der Überprüfung muss die Säge ausgeschaltet und der Akku entfernt worden sein. Der Arm muss angehoben und gesenkt werden, um sicherzustellen, dass die Schutzvorrichtung das Sägeblatt bedeckt und das Sägeblatt die Schutzvorrichtung nicht berührt. Wenn die Schutzvorrichtung nicht ordnungsgemäß funktioniert, muss das Gerät durch qualifiziertes Fachpersonal gewartet werden. Wenden Sie sich telefonisch an den STANLEY FATMAX Kundendienst, um Informationen zu einer Vertragswerkstatt in Ihrer Nähe zu erhalten.
- ◆ **Diese Gehrungssäge wurde ausschließlich zum Sägen von Holz, Kunststoff und Buntmetallen entwickelt.** Verwenden Sie das Gerät nicht zum Schneiden von Werkstoffen, die nicht vom Hersteller empfohlen sind.
- ◆ Berühren Sie nach dem Gebrauch das Sägeblatt erst, wenn es abgekühlt ist. Das Sägeblatt wird bei der Arbeit sehr heiß.



Warnung! Beim Sägen von Kunststoffen, Holz, das mit einer Beschichtung gegen das Auslaufen von Pflanzensaft versehen ist, und anderen Materialien kann sich geschmolzenes Material auf den Spitzen und dem Körper des Sägeblatts ansammeln, wodurch das Risiko des Überhitzens und Blockierens des Sägeblatts beim Schneiden erhöht wird.

Sicherheit von Anderen

- ◆ Dieses Ladegerät darf von Kindern ab 8 Jahren und Personen mit eingeschränkten körperlichen, sensorischen oder geistigen Fähigkeiten sowie mangelnder Erfahrung und Wissen in Bezug auf dessen Gebrauch bedient werden, wenn sie bei der Verwendung des Geräts beaufsichtigt oder angeleitet werden und die möglichen Gefahren verstehen.
- ◆ Kinder dürfen nicht mit dem Gerät spielen. Reinigung und Wartungsarbeiten dürfen von Kindern nur unter Aufsicht durchgeführt werden.

Restrisiken

Folgende Risiken sind mit der Verwendung von Sägen untrennbar verbunden:
Selbst unter Beachtung der geltenden Sicherheitsvorschriften und des Einsatzes von Schutzvorrichtungen können bestimmte Risiken nicht vermieden werden. Diese sind:

- ◆ Verletzungen, die durch das Berühren von sich drehenden/bewegenden Teilen verursacht werden.
- ◆ Schwerhörigkeit.
- ◆ Unfallrisiko durch ungeschützte Teile des sich drehenden Sägeblatts.
- ◆ Der Austausch von Teilen, Messern oder Zubehör kann Verletzungen zur Folge haben.
- ◆ Quetschen der Finger beim Öffnen der Schutzabdeckungen.
- ◆ Gesundheitsrisiken durch das Einatmen von Staub beim Sägen von Holz, insbesondere Eiche, Buche und Pressspan.
- ◆ Verletzungen, die durch längeren Gebrauch eines Geräts verursacht werden. Bei der längeren Verwendung eines Werkzeugs ist sicherzustellen, dass regelmäßig Pausen eingelegt werden.

Lärm

Die angegebenen Geräuschemissionswerte entsprechen den Richtwerten der genormten Prüfung und lassen sich zum Vergleich verschiedener Geräte verwenden.

Die erklärten Geräuschemissionswerte können auch in einer vorläufigen Expositionsbewertung verwendet werden.

Warnung! Der Geräuschemissionen während der tatsächlichen Verwendung des Elektrowerkzeugs kann je nach Verwendung des Werkzeugs und insbesondere je nach Art des Werkstücks von den erklärten Werten abweichen.

Warnung! Tragen Sie immer geeigneten Gehörschutz.

Unter bestimmten Bedingungen und je nach Anwendungsdauer kann das Geräusch dieses Produktes zu Gehörverlust führen. Beachten Sie die folgenden Faktoren, die sich auf die Lärmexposition auswirken:

- ◆ Verwenden Sie speziell konstruierte, Lärm mindernde Sägeblätter,
- ◆ Verwenden Sie nur ordnungsgemäß geschärfte Sägeblätter, und
- ◆ Verwenden Sie speziell entwickelte Sägeblätter mit Geräuschunterdrückung.

Etiketten am Werkzeug

Die folgenden Bildsymbole werden zusammen mit dem Datumcode werden auf dem Werkzeug ausgewiesen:



Warnung! Zur Reduzierung der Verletzungsgefahr muss der Nutzer die Betriebsanleitung lesen.



Tragen Sie eine Schutzbrille



Tragen Sie Gehörschutz



Tragen Sie eine Staubmaske



Das Gerät darf nicht von Personen unter 16 Jahren verwendet werden



Halten Sie Ihre Hände nicht in die Nähe des Sägeblatts



Bereich "Keine Hände" – Halten Sie Finger und Arme von den rotierenden Sägeblättern fern



Tragen Sie beim Umgang mit den Sägeblättern Handschuhe



Starren Sie nicht auf die Betriebsleuchte

Zusätzliche Sicherheitshinweise für Akku und Ladegeräte

Warnung! Das Gerät darf nur mit dem im Lieferumfang enthaltenen Netzteil betrieben werden.

Hinweis: Der empfohlene Betriebstemperaturbereich des Werkzeugs liegt bei 4 °C bis 40 °C.

Akkus

- ◆ Keinesfalls versuchen, den Akku zu öffnen.
- ◆ Achten Sie darauf, dass der Akku nicht mit Wasser in Berührung kommt.
- ◆ Nicht bei Temperaturen über 40 °C lagern.
- ◆ Laden Sie den Akku nur bei Umgebungstemperaturen von 10 °C bis 40 °C.
- ◆ Verwenden Sie ausschließlich das mitgelieferte Ladegerät.
- ◆ Beachten Sie bei der Entsorgung von Batterien und Akkus die Hinweise im Abschnitt „Umweltschutz“.



Versuchen Sie nie, beschädigte Akkus aufzuladen.

Ladegeräte

- ◆ Verwenden Sie das Stanley FatMax-Ladegerät nur für den Akku des Werkzeugs, mit dem es geliefert wurde. Andere Akkus könnten platzen und Sachschäden oder Verletzungen verursachen.
- ◆ **Versuchen Sie keinesfalls, nicht aufladbare Batterien zu laden.**
- ◆ **Lassen Sie beschädigte Kabel sofort austauschen.**
- ◆ Achten Sie darauf, dass das Ladegerät nicht mit Wasser in Berührung kommt.
- ◆ Versuchen Sie nicht, das Ladegerät zu öffnen.
- ◆ Nehmen Sie am Ladegerät keine Veränderungen vor.



Das Ladegerät darf nur im Innenbereich verwendet werden.



Vor Gebrauch die Anleitung lesen.

Elektrische Sicherheit



Das Ladegerät ist schutzisoliert, daher ist keine Erdleitung erforderlich. Stellen Sie sicher, dass die Netzspannung der auf dem Typenschild des Geräts angegebenen Spannung entspricht. Ersetzen Sie das Ladegerät keinesfalls durch ein normales Netzkabel.

- ◆ Bei einer Beschädigung des Netzkabels muss dieses durch den Hersteller oder eine Stanley FatMax Vertragswerkstatt ausgetauscht werden, um mögliche Gefahren zu vermeiden.

Merkmale

Dieses Werkzeug umfasst einige oder alle der folgenden Merkmale.

1. Auslöseschalter
2. Bediengriff
3. Montagebohrungen
4. Untere Schutzvorrichtung
5. Gehrungsverriegelung
6. Gehrungsriegeltaste
7. Schlitzplatte
8. Gehrungsskala
9. Anzeige der Gehrungsskala
10. Tragegriffe
11. Anschlag
12. Neigungsverriegelungsknopf
13. Schienen
- 13a. Klettband
14. Staubabsauganschluss
15. Akku
16. Arbeitsleuchenschalter
17. Sicherungshebel
18. Schienenverriegelungsschraube
19. Klemmenbefestigungsbohrung
20. Arretierstift

Montage (Abb. A)

Ihre Gehrungssäge ist bei Lieferung bereits zum Teil montiert.

- ◆ Öffnen Sie den Karton und heben Sie die Säge mit Hilfe der Tragegriffe (10) im Unterteil der Säge heraus (Abb. A).
- ◆ Stellen Sie die Säge auf einem ebenen, flachen Untergrund ab, beispielsweise einer Werkbank oder einem stabilen Tisch.
- ◆ Beachten Sie die Montagedarstellung auf Seite 2 dieses Handbuchs, um sich mit der Säge und ihren verschiedenen Teilen vertraut zu machen. Im Abschnitt „Einstellungen“ wird auf diese Begriffe Bezug genommen. Sie müssen diese Teile kennen und wissen, wo sie sich befinden.
- ◆ Der Gehrungsverriegelungsknopf (5) ist beim Versand nicht montiert.

Nehmen Sie den Gehrungssicherungsknopf (5) aus der Verpackung und schrauben Sie ihn an die Säge. Die richtige Position wird in Abbildung G und J gezeigt.

- ◆ Ihre Säge verfügt über einen integrierten Staubanschluss (14), der die Nutzung des beiliegenden, aber nicht montierten Staubbeutels (35) oder einer Staubabsaugung ermöglicht (Fig. N).

Schlitzplatte (Abb. J)

Die Schlitzplatte (7) wird mit 6 Schrauben am Tisch befestigt. Die Schlitzplatte (7) ist nicht höhenverstellbar.

Hinweis: Wenn die Schlitzplatte (7) abgenutzt oder beschädigt ist oder ersetzt werden muss, sollte die Reparatur durch das Personal einer Vertragswerkstatt oder durch den STANLEY FATMAX Kundendienst erfolgen.

Arretierstift (Abb. F)

Warnung! Der Arretierstift darf NUR beim Transportieren und Aufbewahren der Säge eingesetzt werden. Verwenden Sie den Arretierstift NIEMALS bei Schneidvorgängen.

Hinweis: Zum Anheben, Tragen und Abstützen der Gehrungssäge während des Transportes verwenden Sie die beiden Tragegriffe (10), die sich an beiden Seiten unten an der Gehrungssäge befinden (Abb. A).

Zum Sperren des Sägekopfes in der unteren Position schieben Sie den Sägekopf nach unten, drücken den Arretierstift (20) herein und lassen den Sägekopf los. Dadurch wird der Sägekopf sicher nach unten gehalten, um die Säge zu transportieren. Zum Lösen drücken Sie den Sägekopf nach unten und ziehen den Stift heraus.

Warnung! Stellen Sie immer sicher, dass das Werkzeug ausgeschaltet und der Akku aus dem Werkzeug entfernt ist, bevor Sie die Funktion des Werkzeugs einstellen oder überprüfen.

Laden des Akkus (Abb. B)

Der Akku muss vor erstmaliger Benutzung und immer dann aufgeladen werden, wenn das Gerät nicht mehr die volle Leistung bringt. Während des Ladevorgangs kann der Akku warm werden. Das ist normal.

Warnung! Laden Sie den Akku nicht, wenn die Umgebungstemperatur unter 10 °C oder über 40 °C liegt. Empfohlene Ladetemperatur: ca. 24 °C.

Hinweis: Ein Akku, bei dem die Temperatur der Batteriezellen unter ca. 10 °C oder über 40 °C liegt, wird vom Ladegerät nicht geladen.

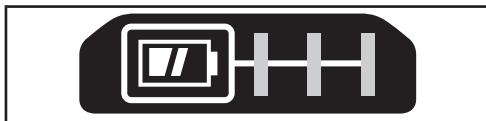
Lassen Sie in diesem Fall den Akku im Ladegerät. Das Ladegerät beginnt automatisch mit dem Ladevorgang, sobald sich die Zellen erwärmt bzw. abgekühlt haben.

Hinweis: Um die maximale Leistung und Lebensdauer der Li-Ionen-Akkus zu gewährleisten, laden Sie den Akku vor der ersten Verwendung vollständig auf.

- ◆ Setzen Sie das Ladegerät (21) in eine geeignete Steckdose ein, bevor Sie den Akku (15) einsetzen.
- ◆ Die grüne Leuchte (Aufladen) (21a) blinkt dauerhaft und zeigt dadurch an, dass der Ladevorgang begonnen wurde.
- ◆ Der Abschluss des Ladevorgangs wird dadurch angezeigt, dass das grüne Licht (21a) dauerhaft leuchtet. Der Akku (15) ist vollständig aufgeladen und kann jetzt entnommen oder verwendet oder in der Ladestation (21) gelassen werden.
- ◆ Ein entladener Akku sollte innerhalb einer Woche wieder aufgeladen werden. Die Lebensdauer des Akkus sinkt drastisch, wenn dieser in entladene Zustand aufbewahrt wird.

Akkuladestandsanzeige (Abb. C)

Der Akku besitzt eine Ladestandsanzeige, mit der die Lebensdauer der Batterie wie in Abbildung B dargestellt schnell ermittelt werden kann. Durch Drücken der Ladezustands-Taste (15a) können Sie die im Akku verbleibende Ladung wie in Abbildung C dargestellt anzeigen.



Einsetzen und Entfernen des Akkus (Abb. D, E)

- ◆ Um den Akku (15) einzusetzen, richten Sie ihn an der Aufnahme am Gerät (22) aus. Schieben Sie den Akku in die Aufnahme, bis er in der richtigen Position einrastet.
- ◆ Um den Akku zu entnehmen, drücken Sie die Entriegelungstaste des Akkus (15b) und schieben gleichzeitig den Akku aus der Aufnahme, siehe Abb. E..

Wechsel oder Montage eines neuen Sägeblatts (Abb. G, H, I)

Warnung! Um die Gefahr schwerer Verletzungen zu mindern, schalten Sie das Werkzeug aus und entfernen Sie den Akku, bevor Sie das Gerät transportieren, Einstellungen vornehmen oder Anbaugeräte oder Zubehör anbringen oder entfernen. Ungewolltes Anlaufen kann Verletzungen verursachen.

Entfernen des Sägeblatts

- ◆ Nehmen Sie den Akku (15) aus der Säge.
- ◆ Heben Sie den Arm in die obere Position und die untere Schutzvorrichtung (4) so weit wie möglich an.
- ◆ Lösen Sie die vordere Schraube der Schutzvorrichtungshalterung (24), bis die Halterung (25) weit genug angehoben werden kann, um auf die Sägeblattschraube (26) zuzugreifen, aber entfernen Sie diese nicht. Die untere Schutzvorrichtung wird aufgrund der Schraubenposition an der Schutzvorrichtungshalterung angehoben bleiben.
- ◆ Drücken Sie den Spindelarretierungsknopf (28) und drehen Sie das Sägeblatt (29)vorsichtig von Hand, bis die Arretierung einrastet.
- ◆ Halten Sie die Taste gedrückt, und nutzen Sie die andere Hand und die Sechskantseite des mitgelieferten Schraubenschlüssels, um die Sägeblattschraube (26) zu lösen. (Im Uhrzeigersinn drehen, Linksgewinde.)
- ◆ Entfernen Sie die Sägeblattschraube (26) mit der Sechskantseite des mitgelieferten Schraubenschlüssels, die äußere Unterlegscheibe der Schraubklemme (30) und das Sägeblatt (29). Die innere Unterlegscheibe der Schraubklemme (31) kann auf der Spindel (32) bleiben.

LED-Modi des Ladegeräts

	Laden: Grüne LED - mit Unterbrechungen	
	Vollständig aufgeladen: Grüne LED - dauerhaft	
	Verzögerung heißer/kalter Akku: Grüne LED - mit Unterbrechungen Rote LED - dauerhaft	

Hinweis: Diese/s kompatible/n Ladegeräte/e lädt keine defekten Akkus auf. Das Ladegerät zeigt einen defekten Akku dadurch an, dass es nicht leuchtet.

Hinweis: Dies kann auch auf ein Problem mit dem Ladegerät hinweisen. Wenn das Ladegerät auf ein Problem hinweist, bringen Sie es zusammen mit dem Akku zur Überprüfung zu einer autorisierten Servicestelle.

Belassen des Akkus im Ladegerät

Sie können den Akku auf im Ladegerät belassen. In diesem Fall leuchtet die LED-Anzeige dauerhaft. Das Ladegerät hält den Akku in einem vollständig geladenen Zustand.

Verzögerung heißer/kalter Akku

Wenn das Ladegerät einen zu heißen oder zu kalten Akku erkennt, startet es automatisch die Verzögerung heißer/kalter Akku. Die grüne LED (21a) blinkt dann mit Unterbrechungen, während die rote LED (21b) kontinuierlich leuchtet und den Ladevorgang bis zum Ende des Ladevorgangs unterbricht, bis der Akku eine angemessene Temperatur erreicht hat. Das Ladegerät schaltet dann automatisch in den Lademodus. Diese Funktion gewährleistet eine maximale Lebensdauer des Akkus.

Einsetzen eines Sägeblatts

- ◆ Nehmen Sie den Akku (15) aus der Säge.
- ◆ Stellen Sie sicher, dass der Arm angehoben ist, die untere Schutzvorrichtung (4) offen gehalten wird, und die Schutzvorrichtungshalterung (25) angehoben ist, platzieren Sie das Sägeblatt (29) auf der Spindel (32) und gegen die innere Sägeblattklemme (31), wobei die Zähne am Sägeblatt in die auf der Säge gekennzeichnete Drehrichtung zeigen müssen.
- ◆ Befestigen Sie die Unterlegscheibe der äußeren Schraubklemme (30) auf der Spindel (32).
- ◆ Montieren Sie die Sägeblattschraube (26) und, während Sie die Spindelarretierung (28) betätigen, ziehen Sie die Schraube (26) mit dem mitgelieferten Schlüssel fest (gegen den Uhrzeigersinn drehen, Linksgewinde).
- ◆ Bringen Sie die Schutzvorrichtungshalterung (25) wieder in deren ursprüngliche vollständig abgesenkte Position und ziehen Sie die Schraube der Schutzvorrichtungshalterung (24) fest, um die Halterung zu arretieren.

Schnittlinienführungssystem

Warnung! Blicken Sie nicht in den Lichtstrahl der Arbeitsleuchte. Dies könnte zu schweren Augenverletzungen führen.

Hinweis: Der Akku muss geladen und an die Gehrungssäge angeschlossen sein.

Das Schnittlinienführungssystem kann nur über den Arbeitslichtschalter (16) ein- oder ausgeschaltet werden. Um entlang einer vorgezeichneten Linie auf einem Holzstück zu schneiden, schalten Sie das Schnittlinienführungssystem mit dem Arbeitsleuchtschalter (16) ein (nicht mit dem Hauptauslöser), und ziehen Sie dann den Bediengriff (2) nach unten, um das Sägeblatt nahe an das Holz zu bringen. Der Schatten des Sägeblatts erscheint auf dem Holz. Diese Schattenlinie stellt das Material dar, welches das Sägeblatt beim Durchführen des Schnitts entfernen wird. Um Ihren Schnitt korrekt an der vorgezeichneten Linie auszurichten, richten Sie die vorgezeichnete Linie mit der Kante des Sägeblattschattens aus. Denken Sie daran, dass Sie unter Umständen den Gehrungs- oder Neigungswinkel anpassen müssen, damit er präzise der vorgezeichneten Linie entspricht.

Ihre Säge ist mit einer Batterieschutzfunktion ausgestattet. Die Arbeitsleuchte blinkt, wenn der Ladestand des Akkus sehr niedrig oder der Akku zu heiß ist. Laden Sie den Akku auf, bevor Sie die Schneidarbeiten fortsetzen. Siehe „Ladevorgang“ unter „Wichtige Sicherheitsanweisungen für alle Akkupacks“ für diesbezügliche Ladeanweisungen.

Gehrungssteuerung (Abb. J)

Mit der Gehrungsverriegelung (5) und der Gehrungsriegeltaste (6) können Sie die Säge auf Winkel von 47° nach rechts und 47° nach links gehren. Die Gehrungsarretierung rastet automatisch links und rechts bei 0°, 15°, 22,5°, 31,6° und 45° ein. Um die Säge auf Gehrung zu bringen, entriegeln Sie den Gehrungsverriegelungsmechanismus, indem Sie die Gehrungsverriegelung (5) gegen den Uhrzeigersinn drehen. Zum Verriegeln drehen Sie ihn im Uhrzeigersinn. Ziehen Sie die Gehrungsriegeltaste (6) nach oben und stellen Sie auf der Gehrungsskala (8) den gewünschten Gehrungswinkel ein. Verriegeln Sie die Gehrungsverriegelung (5) durch Drehen im Uhrzeigersinn.

Neigungswinkel-Arretierungsknopf (Abb. K)

Mit der Neigungsverriegelung kann die Säge um 48° nach links geneigt werden. Um die Neigungseinstellung zu justieren, drehen Sie den Neigungsregelungs-Arretierungsknopf (12) zum Lösen gegen den Uhrzeigersinn. Drehen Sie den Neigungsverriegelungsknopf zum Festziehen im Uhrzeigersinn.

Vorsicht! Einklemmgefahr. Stellen Sie sicher, dass Sie den Neigungsverriegelungsknopf festdrehen, bevor Sie Übersteuerungen einstellen.

Auslöseschalter (Abb. L)

Um die Säge einzuschalten, drücken Sie den Arretierhebel (17) nach links; drücken Sie dann auf den Auslöseschalter (1). Die Säge ist in Betrieb, solange der Schalter gedrückt wird. Lassen Sie das Sägeblatt die volle Betriebsdrehzahl erreichen, bevor Sie mit den Schnitten beginnen. Zum Ausschalten der Säge lassen Sie den Schalter los. Lassen Sie das Sägeblatt zum Stillstand kommen, bevor Sie den Sägekopf anheben. Es ist nicht vorgesehen, den Schalter im eingeschalteten Zustand zu arretieren. Im Auslöseschalter ist eine Öffnung (1a) vorhanden, um den Schalter mit einem Vorhängeschloss sichern zu können. Ihre Säge ist nicht mit einer automatischen elektrischen Sägeblattbremse ausgestattet, aber das Sägeblatt sollte nach dem Loslassen des Auslösers innerhalb von 5 Sekunden anhalten. Das kann nicht modifiziert werden. Wenn Sie Stoppzeit wiederholt 5 Sekunden überschreitet, lassen Sie das Werkzeug von einem autorisierten Stanley FatMax Servicezentrum warten.

Stellen Sie stets sicher, dass das Sägeblatt gestoppt wurde, bevor Sie es aus dem Sägeschlitz entfernen.

Staubabsaugung (Abb. M)

Warnung! Um die Gefahr schwerer Verletzungen zu mindern, schalten Sie das Werkzeug aus und entfernen Sie den Akku, bevor Sie das Gerät transportieren, Einstellungen vornehmen oder Anbaugeräte oder Zubehör anbringen oder entfernen.

Ungewolltes Anlaufen kann Verletzungen verursachen. Ihre Säge verfügt über einen integrierten Staubanschluss (14), der die Nutzung des beiliegenden Staubbeutels (35) oder das Anschließen eines Staubabsaugsystems ermöglicht.

Anbringen des Staubbeutels

- ◆ Bringen Sie den Staubbeutel (35) gemäß Darstellung in Abbildung M am Spanabsauganschluss (14) an.
- ◆ Ein Staubsaugerschlauch (38 - nicht mitgeliefert) kann anstelle des Staubbeutels (35) am Staubabsauganschluss (14) angebracht werden. Dies kann erreicht werden, indem Sie einen Staubsaugerschlauch (38) anstelle des Staubbeutels (35) anbringen, siehe Abbildung M.
- ◆ Verwenden Sie das Klettband (13a), um den Staubsaugerschlauch (38) während der Verwendung der Säge von den Gleitschienen (13) freizuhalten.

Hinweis: Der Klettverschluss (13a) ist kein Tragegriff und sollte nicht zum Bewegen oder Transportieren der Säge verwendet werden.

Leeren des Staubbeutels

- ◆ Nehmen Sie den Staubbeutel (35) von der Säge und schütteln oder klopfen Sie ihn vorsichtig aus.
- ◆ Bringen Sie den Staubbeutel wieder am Staubanschluss (14) an.

Eventuell löst sich nicht der gesamte Staub aus dem Sack. Dies wirkt sich nicht auf Schnittleistung aus, reduziert aber die Staubsammeleffizienz der Säge. Um die Staubsammeleffizienz der Säge wiederherzustellen, drücken Sie beim Leeren des Staubbeutels auf die Feder im Inneren und klopfen Sie ihn gegen den Rand der Mülltonne oder Staubabsaugung.

Warnung! Betreiben Sie diese Säge keinesfalls, wenn kein Staubbeutel angebracht ist. Sägestaub kann zu Atmungsproblemen führen.

Mit der Säge arbeiten

Wenn die Schiebefunktion nicht verwendet wird, stellen Sie sicher, dass der Sägekopf soweit wie möglich zurückgeschoben und die Schienenverriegelungsschraube (18) festgezogen ist. Das verhindert, dass die Säge sich auf den Schienen verschiebt, wenn das Werkstück aufgelegt wird.

Hinweis: SCHNEIDEN SIE MIT DIESER SÄGE KEINE EISENMETALLE ODER MAUERWERK (BUNTMETALLE DÜRFEN MIT DIESER SÄGE GESCHNITTEN WERDEN).

Verwenden Sie keine Schleifscheiben.

Hinweis: Siehe „Betätigung und Sichtbarkeit der Schutzvorrichtung“ im Abschnitt „Einstellungen“ für wichtige Informationen über die untere Schutzvorrichtung vor dem Schneiden.

Querschnitte (Abb. N)

Bei einem Querschnitt wird das Holz in einem beliebigen Winkel quer zur Faserung geschnitten. Ein gerader Querschnitt erfolgt, wenn sich der Gehrungsarm in der Null-Grad-Stellung befindet. Stellen Sie den Gehrungsarm auf Null ein und verriegeln Sie ihn, und drücken Sie das Holz fest auf dem Tisch und gegen den Anschlag. Schalten Sie bei festgezogener Schienenverriegelungsschraube (18) die Säge ein, indem Sie den Auslöseschalter (1) drücken.

Wenn die Säge schneller wird (ca. 1 Sekunde), senken Sie den Arm gleichmäßig und langsam ab, um das Holz zu schneiden. Lassen Sie das Sägeblatt vollständig zum Stillstand kommen, bevor Sie den Arm heben.

Wenn Sie einen Bereich größer als 51 x 102 mm (2 x 4 Zoll) schneiden, machen Sie eine außen-unten-zurück-Bewegung bei gelöster Schienenverriegelungsschraube (18). Ziehen Sie die Säge zu sich heraus, senken Sie den Sägekopf auf das Werkstück, und schieben Sie die Säge langsam zurück, um den Schnitt fertigzustellen. Lassen Sie das Sägeblatt beim Herausziehen nicht die Oberseite des Werkstücks berühren. Die Säge kann auf Sie zulaufen, was zu Verletzungen oder Schäden am Werkstück führen kann.

Warnung! Verwenden Sie immer einen Schraubstock, um die Kontrolle zu behalten und um das Risiko zu reduzieren, dass das Werkstück beschädigt wird und es zu Verletzungen kommt, wenn Ihre Hände während des Schnitts 152 mm (6 Zoll) vom Sägeblatt entfernt sein müssen.

Hinweis! Die Schienenverriegelungsschraube (18) muss gelöst sein, damit die Säge entlang der Schienen verschoben werden kann.

Gehrungsquerschnitte werden durchgeführt, wenn der Gehrungsarm einen anderen Winkel als Null hat. Dieser Winkel beträgt häufig 45° für Ecken, kann aber auf jeden Wert zwischen 47° links oder 47° rechts eingestellt werden. Führen Sie den Schnitt wie oben beschrieben durch. Bei einem Gehrungsschnitt an Werkstücken, die breiter als 2 x 152 mm (2 x 6 Zoll) aber kürzer sind, setzen Sie die längere Seite gegen den Anschlag (Abb. O).

Um entlang einer vorgezeichneten Linie auf einem Holzstück zu schneiden, passen Sie den Winkel so nahe wie möglich an. Trennen Sie das Holz etwas zu lang ab und messen Sie von der vorgezeichneten Linie zur Schneidkante, um zu ermitteln, in welcher Richtung der Gehrungswinkel eingestellt werden muss; schneiden Sie dann erneut. Das erfordert etwas Praxis, ist aber eine häufig eingesetzte Technik.

Neigungsschnitte

Ein Neigungsschnitt ist ein Querschnitt, der durchgeführt wird, während das Sägeblatt angewinkelt zum Holz steht. Um die Neigung einzustellen, lösen Sie den Neigungswinkel-Arretierungsknopf (12), und bewegen Sie die Säge wie gewünscht nach links.

Wenn der gewünschte Neigungswinkel eingestellt wurde, ziehen Sie die Neigungsverriegelung gut fest. Neigungswinkel können von 3° rechts bis 48° links eingestellt werden.

Schnittqualität

Die Glätte der Schnitte hängt von mehreren Faktoren ab. Beispielsweise tragen das zu schneidende Material, der Sägeblatttyp, die Sägeblattschärfe und Schnittgeschwindigkeit zur Schnittqualität bei. Wenn besonders glatte Schnitte für Präzisionsarbeiten benötigt werden, erzeugen ein scharfes (60-zahniges Hartmetall) Sägeblatt und eine langsamere, gleichmäßige Schnittgeschwindigkeit die gewünschten Ergebnisse.

Stellen Sie sicher, dass das Werkstück beim Schneiden nicht verrutschen kann; klemmen Sie dieses sicher fest. Lassen Sie das Sägeblatt vollständig zum Stillstand kommen, bevor Sie den Arm heben. Wenn am hinteren Ende des Werkstücks noch kleine Fasern oder Holzstücke herausbrechen, kleben Sie Abdeckband auf die Stelle am Holz, wo der Schnitt vorgenommen werden soll. Sägen Sie durch das Band und entfernen Sie es nach dem Sägen sorgfältig. Sehen Sie für verschiedene Schnittanwendungen in die Liste der empfohlenen Sägeblätter für Ihre Säge, und wählen Sie die aus, die am besten für Ihre Bedürfnisse geeignet ist. Siehe Sägeblätter unter Optionales Zubehör.

Position von Körper und Händen (Abb. O1–O4)

Die richtige Positionierung von Körper und Händen beim Betrieb der Gehrungssäge macht das Sägen einfacher, genauer und sicherer. Halten Sie die Hände aus dem Schnittbereich fern. Halten Sie mit Ihren Händen immer einen Sicherheitsabstand zum Sägeblatt von mindestens 152 mm (6 Zoll) ein. Halten Sie das Werkstück beim Sägen dicht am Tisch und Anschlag. Halten Sie Ihre Hände in der Position, bis der Schalter losgelassen wurde und das Sägeblatt vollständig zum Stillstand gekommen ist.

MACHEN SIE IMMER EINEN VERSUCH (MIT AUSGESCHALTETER SÄGE), BEVOR SIE MIT DEM EINGESCHALTETEN GERÄT ARBEITEN, SO DASS SIE DIE BAHN DES SÄGEBLATTS ÜBERPRÜFEN KÖNNEN. KREUZEN SIE IHRE HÄNDE NICHT, SIEHE ABB. O3.

Halten Sie beide Füße fest auf dem Boden und achten Sie darauf, das Gleichgewicht zu behalten. Folgen Sie den Bewegungen des Sägearms nach links und rechts. Stehen Sie dabei ein wenig seitlich des Sägeblattes. Sehen Sie durch das Schutzgitter, wenn Sie einer vorgezeichneten Schnittlinie folgen.

Einspannen des Werkstücks

Warnung! Um die Gefahr schwerer Verletzungen zu mindern, schalten Sie das Werkzeug aus und entfernen Sie den Akku, bevor Sie das Gerät transportieren, Einstellungen vornehmen oder Anbaugeräte oder Zubehör anbringen oder entfernen.

Ungewolltes Anlaufen kann Verletzungen verursachen.

Warnung! Ein eingespanntes Werkstück, das vor einem Schnitt symmetrisch und sicher war, kann danach unsymmetrisch sein. Bei unsymmetrischer Belastung kann die Säge oder alles, worauf die Säge befestigt ist, kippen, z.B. ein Tisch oder eine Werkbank. Bei einem Schnitt, der evtl. unsymmetrisch wird, muss das Werkstück korrekt abgestützt werden, stellen Sie dabei sicher, dass die Säge fest auf einer stabilen Fläche befestigt ist. Dies könnte zu Verletzungen führen.

Warnung! Der Fuß der Schraubklemme muss immer über dem Unterteil der Säge festgeklemmt werden, wenn die Schraubklemme verwendet wird. Klemmen Sie das Werkstück immer am Unterteil der Säge fest – und nirgendwo sonst am Arbeitsbereich. Stellen Sie sicher, dass der Fuß der Schraubklemme nicht am Rand des Unterteils der Säge festgeklemmt wird.

Warnung! Verwenden Sie immer einen Schraubstock, um die Kontrolle zu behalten und um das Risiko zu reduzieren, dass das Werkstück beschädigt wird und es zu Verletzungen kommt, wenn Ihre Hände während des Schnitts 152 mm (6 Zoll) vom Sägeblatt entfernt sein müssen. Wenn Sie das Werkstück nicht mit der Hand auf dem Tisch und gegen den Anschlag sichern können (unregelmäßige Form, usw.) oder Ihre Hand dabei weniger als 152 mm (6 Zoll) vom Sägeblatt entfernt sein würde, muss eine Schraubklemme oder andere Vorrichtung verwendet werden.

Verwenden Sie die Materialklemme, die mit Ihrer Säge geliefert wird. Um eine Materialklemme zu erwerben, wenden Sie sich an Ihren Händler vor Ort oder an das Stanley FatMax-Servicezentrum. Andere Hilfen wie Federklammern oder Schraubklemmen können für bestimmte Größen und Werkstückformen geeignet sein. Wählen Sie diese Schraubklemmen und deren Position sorgfältig aus. Nehmen Sie sich Zeit für einen Probelauf, bevor Sie einen Schnitt durchführen.

Montage einer Schraubklemme (Abb. P)

- ◆ Setzen Sie die Schraubklemme (37) in die Öffnung (19) hinter dem Anschlag ein. Die Schraubklemme muss zur Rückseite der Gehrungssäge zeigen. Die Rille an der Schraubstockstange muss vollständig in das Unterteil eingesetzt werden. Stellen Sie sicher, dass die Rille vollständig in das Unterteil der Gehrungssäge eingesetzt ist. Wenn die Rille sichtbar ist, ist der Schraubstock nicht sicher.
- ◆ Drehen Sie die Schraubklemme 180° zur Vorderseite der Gehrungssäge.
- ◆ Lösen Sie den Knopf, um die Schraubklemme nach oben oder unten einzustellen, verwenden Sie dann den Feineinstellungsknopf, um die Schraubklemme am Werkstück festzuklemmen.

Hinweis: Setzen Sie den Schraubstock auf die gegenüberliegende Seite des Unterteils, wenn Sie Neigungsschnitte vornehmen. **MACHEN SIE IMMER EINEN VERSUCH (MIT AUSGESCHALTETER SÄGE), BEVOR SIE MIT DEM EINGESCHALTETEN GERÄT ARBEITEN, SO DASS SIE DIE BAHN DES SÄGEBLATTS ÜBERPRÜFEN KÖNNEN. STELLEN SIE SICHER DASS DER SCHRAUBSTOCK NICHT DEN BETRIEB DER SÄGE ODER DIE SCHUTZVORRICHTUNGEN BEHINDERT.**

Einstellungen

Ihre Gehrungssäge wurde werksseitig genau eingestellt. Sollte wegen des Transports oder aus irgendeinem anderen Grund eine erneute Einstellung erforderlich sein, gehen Sie folgendermaßen vor, um Ihre Säge einzustellen. Die Einstellungen sollten dann zuverlässig bestehen bleiben. Nehmen Sie sich jetzt etwas Zeit, um diese Anweisungen sorgfältig zu befolgen und die Genauigkeit Ihrer Säge aufrecht zu erhalten.

Einstellung der Gehrungsskala (Abb. Q1)

Arretieren Sie den Arm in der unteren Position. Entriegeln Sie die Gehrungsverriegelung (5) und schwenken Sie den Gehrungsarm, bis die Gehrungsriegeltaste (6) an der Gehrungsposition 0° einrastet. Verriegeln Sie die Gehrungsverriegelung nicht. Legen Sie ein Winkelmaß wie abgebildet gegen den Sägeanschlag und das Sägeblatt. (Berühren Sie die Spitzen der Sägeblattzähne nicht mit dem Winkelmaß. Dies kann zu ungenauen Messungen führen.) Wenn das Sägeblatt nicht genau senkrecht zum Anschlag steht, lockern und verschieben Sie den Materialanschlag, bis das Sägeblatt, gemessen mit dem Winkel, senkrecht dazu steht. Achten Sie dabei nicht auf die Angaben auf dem Gehrungszeiger.

Neigung rechtwinklig zum Tisch einstellen (Abb. Q2)

Zum Ausrichten des Winkelmaßes auf den Tisch, verriegeln Sie den Arm mit dem Arretierstift (20) in der unteren Position. Setzen Sie ein Winkelmaß gegen das Sägeblatt, stellen Sie dabei sicher, dass das Winkelmaß nicht auf einem Zahn sitzt. Lösen Sie den Neigungsverriegelungsknopf (5) und stellen Sie sicher, dass der Arm fest gegen den 0° Neigungsanschlag sitzt. Drehen Sie die 0° Neigungsstellschraube mit einem 12,7 mm (1/2 Zoll) Steckschlüssel (nicht im Lieferumfang) bei Bedarf so, dass das Sägeblatt eine Neigung von 0° zum Tisch hat, gemessen mit dem Winkelmaß.

Betätigung und Sichtbarkeit der Schutzvorrichtung (Abb. V)

Warnung! Einklemmgefahr. Um das Verletzungsrisiko zu verringern, halten Sie den Daumen unterhalb des Bediengriffs, wenn Sie den Griff nach unten ziehen.

Die untere Schutzvorrichtung bewegt sich nach oben, wenn der Bediengriff nach unten gezogen wird; dadurch besteht eine Einklemmgefahr. Die untere Schutzvorrichtung (4) an Ihrer Säge wird automatisch hochgezogen, wenn der Arm gesenkt wird; sie schwenkt wieder zurück, wenn die Säge wieder in die obere Position zurückkehrt. Vor Inbetriebnahme oder nach Einstellungen an der Säge prüfen Sie den Arm (ohne Stromversorgung) und stellen Sie sicher, dass die Schutzvorrichtung gleichmäßig öffnet und vollständig schließt. Diese sollte das Sägeblatt nicht berühren. Wenn der Arm oben ist, heben Sie die Schutzvorrichtung (ohne Stromversorgung) wie in Abbildung V dargestellt an, und lasse Sie diese wieder los. Die Schutzvorrichtung sollte schnell schließen. Betreiben Sie die Säge nicht, falls sich die Schutzvorrichtung nicht ungehindert bewegt und nicht sofort schließt. Klemmen oder arretieren Sie die Schraubklemme niemals in einer offenen Position fest, wenn Sie die Säge bedienen. Der Blattschutz kann von Hand hochgezogen werden, wenn Sägeblätter ausgewechselt werden und wenn der Zustand der Säge geprüft werden soll.

HEBEN SIE NIEMALS DIE UNTERE SCHUTZVORRICHTUNG MIT DER HAND AN, WENN DAS SÄGEBLATT NOCH LÄUFT.

Hinweis: Bestimmte Spezialschnitte bei großen Werkstücken erfordern, dass Sie die Schutzvorrichtung von Hand anheben. Siehe „Schneiden großer Werkstücke“ unter „Spezialschnitte“. Der vordere Teil des Blattschutzes ist mit kleinen Schlitzen versehen, die eine gute Sicht auf das Werkstück ermöglichen. Obwohl die Schlitze das Herumfliegen von Spänen erheblich reduzieren, sind doch Öffnungen im Blattschutz vorhanden; somit sollten Sie stets eine Schutzbrille tragen.

Schienenführung

Prüfen Sie regelmäßig die Schienen (13) auf Spiel oder Freiraum. Die Schienen können mit einem trockenen, sauberen Tuch gereinigt werden.

Schneiden von Bilderrahmen, Schaukästen und anderen vierseitigen Projekten (Abb. R1, R2)

Um am besten nachvollziehen zu können, wie die hier aufgeführten Arbeiten durchgeführt werden, empfehlen wir, dass Sie einige leichte Projekte mit Holzresten durchführen, bis Sie ein „Gefühl“ für Ihre Säge entwickeln. Ihre Säge ist das perfekte Werkzeug für das Gehen von Ecken wie in Abbildung R1 dargestellt. Skizze A in Abbildung R2 zeigt eine Verbindung, in der die Neigungseinstellung genutzt wurde, um die Kanten der beiden Bretter mit jeweils 45° gegeneinander zu neigen, um eine Ecke mit 90° zu erzeugen. Für diese Verbindung wurde der Gehrungsarm in der Nullposition und die Neigungseinstellung bei 45° verriegelt.

Das Holz wurde mit der breiten flachen Seite gegen den Tisch und der schmalen Kante gegen den Anschlag gelegt. Der Schnitt könnte auch durch Gehen der rechten und linken Seite mit der breiten Fläche gegen den Anschlag gemacht werden.

Schneiden von Zierleisten und anderen Rahmen (Abb. R2)

Skizze B in Abbildung R2 zeigt eine Verbindung, die mit dem Gehrungsarm bei 45° gemacht wurde, um die beiden Bretter für eine 90° Ecke zu gehen. Stellen Sie für diese Art von Verbindung die Neigungseinstellung auf null und den Gehrungsarm auf 45°. Setzen Sie das Holz wieder mit der breiten flachen Seite auf den Tisch und der schmalen Kante gegen den Anschlag.

Die Abbildungen R1 und R2 sind nur für vierseitige Objekte. Wenn sich die Anzahl der Seiten ändert, gilt dies auch für die Gehrungs- und Neigungswinkel. Die nachfolgende Übersicht stellt die passenden Winkel für zahlreiche Formen dar.

Beispiele

Anzahl an Seiten	Gehrungs- oder Neigungswinkel
4	45°
5	36°
6	30°
7	25,7°
8	22,5°
9	20°
10	18°

Die Übersicht setzt voraus, dass alle Seiten die gleiche Länge besitzen. Für eine Form, die nicht im Diagramm enthalten ist, verwenden Sie folgende Formel: 180° geteilt durch die Anzahl der Seiten entspricht der Gehrung (wenn das Werkstück vertikal geschnitten wird) oder der Neigungswinkel (wenn das Werkstück flach liegend geschnitten wird).

Doppelgehrungsschnitte (Abb. R3)

Ein Doppelgehrungsschnitt ist ein Schnitt mit einem Gehrungswinkel und einem Neigungswinkel gleichzeitig. Diesen Schnitttyp verwendet man für Rahmen oder Kästen mit schrägen Seiten wie der in Abbildung R3.

Hinweis: Wenn der Schnittwinkel von Schnitt zu Schnitt variiert, überprüfen Sie, dass der Neigungsverriegelungsknopf und der Gehrungsverriegelungsgriff sicher verriegelt sind. Sie müssen verriegelt werden, nachdem Änderungen an Neigung oder Gehrung vorgenommen wurden. Das Diagramm am Ende dieses Handbuchs (Tabelle 1) hilft Ihnen dabei, die korrekten Neigungs- und Gehrungseinstellungen für allgemeine Verbundgehrungsschnitte zu finden.

Wählen Sie in dem Diagramm den gewünschten Winkel A (Abb. R3) Ihres Projekts und finden Sie den Winkel auf dem entsprechenden Bogen im Diagramm. Folgen Sie von dem Punkt der Tabelle gerade nach unten, um den korrekten Neigungswinkel zu finden, und gerade zur Seite, um den korrekten Gehrungswinkel zu finden. Stellen Sie Ihre Säge auf den angegebenen Winkel ein und machen Sie einige Probeschnitte. Üben Sie das Zusammensetzen der Schnitteile, bis Sie einen Gefühl für diesen Vorgang entwickeln und sich wohl dabei fühlen.

Beispiel: Für einen 4-seitigen Kasten mit 26° Außenwinkel (Winkel A, Abb. R3), verwenden Sie den Bogen oben rechts. Suchen Sie 26° auf der Bogenskala. Folgen Sie der horizontalen Schnitlinie an jeder Seite, um die Gehrungswinkeleinstellung an Säge (42°) zu erhalten. Folgen Sie entsprechend der vertikalen Schnitlinie nach oben oder unten, um die Neigungswinkeleinstellung an der Säge (18°) zu erhalten. Führen Sie immer Probeschnitte an einigen Reststücken durch, um die Einstellungen der Säge zu prüfen.

Schneiden von Grundformen (Abb. S)

Gerade 90°-Schnitte:

Setzen Sie das Werkstück gegen den Anschlag und halten es wie in Abbildung S gezeigt fest. Schalten Sie die Säge ein, lassen Sie die Klinge die volle Geschwindigkeit erreichen und senken Sie den Arm gleichmäßig durch den Schnitt.

Schneiden von Grundformen bis zu 90 mm (3,5 Zoll) Höhe vertikal zum Anschlag

Positionieren Sie das Material wie in Abbildung S gezeigt. Alle Schnitte müssen mit der Rückseite der Form gegen den Anschlag und mit der Unterseite gegen den Tisch erfolgen.

	Innenecke	Außenecke
Linke Seite	Gehrung links 45° Linke Seite des Schnitts speichern	Gehrung rechts 45° Linke Seite des Schnitts speichern
Rechte Seite	Gehrung rechts 45° Rechte Seite des Schnitts speichern	Gehrung links 45° Rechte Seite des Schnitts speichern

Material bis zu 90 mm (3,5 Zoll) kann wie oben beschrieben geschnitten werden.

Schneiden von Abschlussleisten

Damit sie ordnungsgemäß montiert werden können, müssen Abschlussleisten mit extremer Genauigkeit mit einer Doppelgehrung geschnitten werden. Die beiden flachen Flächen einer festgelegten Abschlussleiste stehen in Winkeln zueinander, die zusammen exakt 90° ergeben. Meistens (aber nicht immer) haben Abschlussleisten einen oberen Rückwinkel (der Abschnitt, der flach an der Decke verläuft) von 52° und einen unteren Rückwinkel (das Teil, das flach an der Wand aufliegt) von 38°.

Ihre Gehrungssäge besitzt spezielle, voreingestellte Gehrungsrastpunkte bei 31,6° links und rechts zum Schneiden von Abschlussleisten im richtigen Winkel. Es gibt auch eine Markierung auf der Neigungsskala bei 33,8°. Die Neigungseinstellung/Schnittpyt Übersicht enthält die richtigen Einstellungen zum Schneiden von Abschlussleisten. (Die Zahlen für die Gehrungs- und Neigungseinstellungen sind sehr präzise und können nicht so einfach an der Säge eingestellt werden.) Da die meisten Räume keine Winkel mit exakt 90° besitzen, müssen Sie Ihre Einstellungen ohnehin fein abstimmen.

Anweisungen zum Schneiden von Abschlussleisten, die flach liegen, und Verwendung der Verbundfunktionen

- ◆ Legen Sie die Form mit der breiten Rückseite flach nach unten auf den Sägertisch (36) (Abb. T1).
- ◆ Die folgenden Einstellungen gelten für alle Standard-Abschlussleisten mit Winkeln von 52° und 38°.

Neigungseinstellung	Schnittpyt
33,8°	<p>LINKE SEITE, IN DER ECKE:</p> <ol style="list-style-type: none"> 1. Oberseite der Form gegen den Anschlag 2. Gehrungstisch eingestellt rechts 31,62° 3. Linkes Ende des Schnitts speichern
33,8°	<p>RECHTE SEITE, IN DER ECKE:</p> <ol style="list-style-type: none"> 1. Unterseite der Form gegen den Anschlag 2. Gehrungstisch eingestellt links 31,62° 3. Linkes Ende des Schnitts speichern
33,8°	<p>LINKE SEITE, AUSSERHALB DER ECKE:</p> <ol style="list-style-type: none"> 1. Unterseite der Form gegen den Anschlag 2. Gehrungstisch eingestellt links 31,62° 3. Rechtes Ende des Schnitts speichern
33,8°	<p>RECHTE SEITE, AUSSERHALB DER ECKE:</p> <ol style="list-style-type: none"> 1. Oberseite der Form gegen den Anschlag 2. Gehrungstisch eingestellt rechts 31,62° 3. Rechtes Ende des Schnitts speichern

Hinweis: Denken Sie bei der Einstellung von Neigungs- und Gehrungswinkeln bei allen Doppelgehrungsschnitten daran, dass die für Abschlussleistungen dargestellten Winkel sehr präzise sind und nur schwer eingestellt werden können. Da diese einfach verschoben werden können und nur wenige Räume exakt rechteckige Ecken haben, sollten alle Einstellungen an Reststücken getestet werden.

Alternative Methode zum Schneiden von Abschlussleisten

Platzieren Sie die Leiste in einem Winkel zwischen dem Anschlag (11) und dem Sägertisch (36), wobei die Oberseite der Leiste auf dem Tisch und die Unterseite der Leiste auf dem Anschlag liegt, wie in Abbildung T1 gezeigt. Der Vorteil beim Schneiden von Abschlussleisten nach diesem Verfahren ist, dass kein Neigungsschnitt erforderlich ist. Genaue Änderungen am Gehrungswinkel können ohne Beeinträchtigung des Neigungswinkels erfolgen. Auf diese Weise kann die Säge, wenn andere Ecken als solche mit 90° vorhanden sind, schnell und einfach darauf eingestellt werden.

Anweisungen zum Schneiden von Abschlussleisten, die winkelig zwischen dem Anschlag und Unterteil der Säge liegen, für alle Schnitte

Diese Säge kann bis zu 14 mm (9/16 Zoll) x 92 mm (3-5/8 Zoll) verschachtelte Abschlussleisten schneiden.

- ◆ Legen Sie das Werkstück so an, dass der untere Teil (der beim Einbau gegen die Wand gerichtet ist) gegen den Anschlag (11) liegt und der obere Teil auf dem Sägertisch (36) liegt. Siehe Abbildung T2.
- ◆ Die winkelligen "flachen" Teile an der Rückseite des Werkstücks müssen rechtwinklig auf Anschlag und Sägertisch (36) liegen.

	Innenecke	Außenecke
Linke Seite	Gehrung rechts bei 45° Rechte Seite des Schnitts speichern	Gehrung links bei 45° Rechte Seite des Schnitts speichern
Rechte Seite	Gehrung links bei 45° Linke Seite des Schnitts speichern	Gehrung rechts bei 45° Linke Seite des Schnitts speichern

Spezialschnitte

Führen Sie nur dann Schnitte durch, wenn das Material am Tisch und Anschlag gesichert wurde.

Bogenförmige Werkstücke (Abb. U1, U2)

Beim Schneiden von bogenförmigen Werkstücken diese immer wie in Abbildung U1 gezeigt auflegen, niemals wie in Abbildung U2 dargestellt. Falsches Auflegen des Werkstücks führt zum Quetschen des Sägeblatts vor Fertigstellung des Schnitts.

Schneiden runder Werkstücke

Runde Werkstücke müssen eingespannt oder fest am Anschlag gehalten werden, um deren Wegrollen zu verhindern. Dies ist extrem wichtig bei Winkelschnitten.

Schneiden großer Werkstücke (Abb. V)

Gelegentlich haben Sie mit Holzstücken zu tun, die etwas zu groß sind, um unter die untere Schutzvorrichtung zu passen.

Um die Schutzvorrichtung über dem Holz zu entfernen, schalten Sie die Säge aus und halten Sie Ihre rechte Hand am Bediengriff, bringen Sie Ihren rechten auferhalb des oberen Bereichs der Schutzvorrichtung, und klappen Sie die Schutzvorrichtung gerade so weit nach oben, dass das Holz freigegeben wird, wie in Abbildung V dargestellt. Lassen Sie die Schutzvorrichtung vor dem Starten des Motors los. Der Schutzmechanismus wird während des Schneidens ordnungsgemäß funktionieren. Tun Sie das nur, wenn es unbedingt notwendig ist.

BINDEN ODER KLEBEN SIE DIE SCHUTZVORRICHTUNG NIEMALS FEST ODER HALTEN SIE SIE AUF ANDERE WEISE OFFEN, WENN SIE DIESE SÄGE BETREIBEN.

Wartung

Warnung! Um die Gefahr schwerer Verletzungen zu mindern, schalten Sie das Werkzeug aus und entfernen Sie den Akku, bevor Sie das Gerät transportieren, Einstellungen vornehmen oder Anbaugeräte oder Zubehör anbringen oder entfernen. Ungewolltes Anlaufen kann Verletzungen verursachen.

Warnung! Um schwere Verletzungen zu vermeiden, berühren Sie NICHT die scharfen Stellen am Sägeblatt mit den Fingern oder Händen, wenn Sie Wartungsarbeiten durchführen. Verwenden Sie KEINE Schmiermittel oder andere Reinigungsmittel (besonders Spray oder Aerosole) in der Nähe der Kunststoff-Schutzvorrichtung. Das verwendet Polycarbonatmaterial der Schutzvorrichtung reagiert empfindlich auf bestimmte Chemikalien.

- ◆ Alle Lager sind abgedichtet. Sie sind auf Lebensdauer geschmiert und benötigen keine weitere Wartung.
- ◆ Entfernen Sie regelmäßig alle Staub und Holzspäne aus dem Bereich um UND UNTER dem Drehtisch. Obwohl Schlitzlöcher vorgesehen sind, um den Durchgang von Spänen zu ermöglichen, wird sich etwas Staub ansammeln.
- ◆ Die Bürsten sind so konzipiert, dass Sie sie mehrere Jahre lang benutzen können. Sollten Sie jemals Ersatz benötigen, bringen Sie das Werkzeug zur Reparatur in das nächstgelegene Servicezentrum.

Fehlerbehebung

Problem	Mögliche Ursache	Lösung
Säge startet nicht.	Akku nicht eingesetzt.	Legen Sie den Akku ein. Siehe Einlegen oder Entfernen des Akkupacks.
	Der Akku ist nicht geladen.	Akku laden. Siehe Ladevorgang.
	Bürsten verschlissen	Lassen Sie die Bürsten von einem autorisierten Servicezentrum ersetzen.

Problem	Mögliche Ursache	Lösung
Schnitte der Säge sind nicht zufriedenstellend.	Sägeblatt ist stumpf.	Ersetzen Sie das Sägeblatt. Siehe Wechsel oder Montage eines neuen Sägeblatts.
	Sägeblatt falsch herum montiert.	Drehen Sie das Sägeblatt um. Siehe Wechsel oder Montage eines neuen Sägeblatts.
	Harz- oder Klebstoffrückstände am Sägeblatt.	Entfernen Sie das Sägeblatt mit grober Stahlwolle und Terpentin oder einem handelsüblichen Ofenreiniger.
	Falsches Sägeblatt für die durchzuführenden Arbeiten.	Wechseln Sie den Sägeblatttyp.
Arbeitsleuchte blinkt.	Akku nicht geladen	Akku laden. Siehe Ladevorgang.
Maschine vibriert übermäßig.	Säge nicht fest am Ständer oder an der Werkbank montiert.	Ziehen Sie alle Befestigungsteile gut fest. Siehe Montage auf der Werkbank.
	Ständer oder Werkbank auf unebenem Boden.	Wechseln Sie den Standort zu einem flachen, ebenen Untergrund.
	Sägeblatt ist beschädigt.	Ersetzen Sie das Sägeblatt. Siehe Wechsel oder Montage eines neuen Sägeblatts.
Führt keine exakten Gehrungsschnitte durch.	Gehrungsskala nicht korrekt eingestellt.	Prüfen und justieren Sie die Einstellung der Gehrungsskala unter Einstellungen.
	Das Sägeblatt steht nicht rechtwinklig zum Anschlag.	Prüfen und justieren Sie die Einstellung der Gehrungsskala unter Einstellungen.
	Das Sägeblatt steht nicht senkrecht auf dem Tisch.	Prüfen und justieren Sie den Anschlag. Siehe „Neigung rechtwinklig zum Tisch einstellen“ unter „Einstellungen“.
	Werkstück bewegt sich	Klemmen Sie das Werkstück ordnungsgemäß am Anschlag fest, oder kleben Sie Sandpapier mit einer 120er Körnung mit Gummikleber an den Anschlag.
	Schlitzplatte verschlissen oder beschädigt.	Bringen Sie sie zu einer autorisierten Kundendienststelle.
Werkstück quetscht das Sägeblatt.	Schneiden bogenförmiger Werkstücke.	Siehe „Bogenförmige Werkstücke“ unter „Spezielschnitte“.

Umweltschutz



Abfalltrennung. Produkte und Akkus mit diesem Symbol dürfen nicht mit dem normalen Hausmüll entsorgt werden.

Produkte und Batterien enthalten Materialien, die zurückgewonnen oder recycelt werden können und die Nachfrage nach Rohstoffen reduzieren. Bitte recyceln Sie Elektroprodukte und Batterien gemäß den lokalen Bestimmungen. Weitere Informationen finden Sie auf www.2helpU.com

Technische Daten

SFMC5701 (H1)			
Spannung	V		18
Geschwindigkeit	/min		3.800
Sägeblatt-Außendurchmesser	mm		190
Scheibendurchmesser	mm		16
Max. Sägeblattschlitz	mm		1,8
Gewicht ohne Akku	kg		10
Stärke des Sägeblatts	mm		1,0
Gehre (max. Positionen)	°		47
Gehrung (max. Positionen)	°		47
0 Grad Gehrung	horizontal	mm	50 x 216
	vertikal	mm	90 x 15
45 Grad Gehrung rechts	horizontal	mm	50 x 152
	vertikal	mm	90 x 15
45 Grad Gehrung links	horizontal	mm	50 x 152
	vertikal	mm	90 x 15
45 Grad Neigung links	horizontal	mm	50 x 152
	vertikal	mm	50 x 15

Akku		SFMCB201	SFMCB202	SFMCB204	SFMCB206
Spannung	V _{DC}	18	18	18	18
Kapazität	Ah	1,5	2,0	4,0	6,0
Typ		Li-Ion	Li-Ion	Li-Ion	Li-Ion

Ladegerät		SFMCB11	SFMCB12	SFMCB14
Eingangsspannung	V _{AC}	230	230	230
Ausgangsspannung	V _{DC}	18	18	18
Stromstärke	A	1,25	2	4

Schalldruckpegel gemäß EN 62841:	
L _{PA} (Schalldruck)	83,0 dB(A), Unsicherheitsfaktor (K) 3 dB(A)
L _{WA} (Schalleistung)	94,5 dB(A), Unsicherheitsfaktor (K) 3 dB(A)

EG-Konformitätserklärung MASCHINENRICHTLINIE



SFMC5701 Kapp- und Gehrungssäge

Stanley Europe erklärt hiermit, dass diese unter „Technische Daten“ beschriebenen Produkte die folgenden Vorschriften erfüllen:

EN62841-1:2015, EN62841-3-9:2015+A11:2017

Diese Produkte erfüllen auch die Richtlinie 2006/42/EC, 2014/30/EU und 2011/65/EU.

Weitere Informationen erhalten Sie von STANLEY FATMAX unter der folgenden Adresse. Diese befindet sich auch auf der Rückseite dieser Anleitung.

Der Unterzeichnete ist verantwortlich für die Zusammenstellung des technischen Dossiers und gibt diese Erklärung im Namen von STANLEY FATMAX.

Ed Higgins
Director – Consumer Power Tools
Stanley Europe, Egide Walschaertsstraat14-18,
2800 Mechelen, Belgien
08/05/2020

Garantie

Stanley Europe vertraut auf die Qualität der eigenen Geräte und bietet dem Käufer eine außergewöhnliche Garantie von 12 Monaten ab Kaufdatum. Diese Garantie ist ergänzend und beeinträchtigt keinesfalls ihre gesetzlichen Ansprüche. Diese Garantie gilt innerhalb der Staatsgebiete der Mitgliedstaaten der Europäischen Union und der Europäischen Freihandelszone.

Zur Inanspruchnahme dieser Garantie muss sie den allgemeinen Geschäftsbedingungen von STANLEY FATMAX entsprechen und dem Verkäufer bzw. der Vertragswerkstatt ist ein Kaufnachweis vorzulegen. Die Bedingungen für die 1-jährige Garantie von Stanley Europe und den Standort Ihrer nächstgelegenen Vertragswerkstatt finden Sie im Internet unter www.2helpU.com oder indem Sie sich an die lokale Stanley Europe-Niederlassung wenden, deren Adresse Sie in dieser Anleitung finden.

Ihr neues STANLEY FATMAX-Produkt können Sie auf unserer Website unter www.stanley.eu/3 registrieren. Dort erhalten Sie auch Informationen über neue Produkte und Sonderangebote.

Utilisation prévue

Votre scie à onglet combinée à coulisse STANLEY FATMAX SFMCS701 a été conçue pour scier le bois, le plastique et les métaux non ferreux uniquement. Cet outil a été conçu pour les professionnels et les particuliers.

Consignes de sécurité

Avertissements de sécurité générale propres aux outils électriques



Avertissement ! Veuillez lire tous les avertissements de sécurité, toutes les instructions, les illustrations et les spécifications fournies avec cet outil électrique. Le non-respect des avertissements et des instructions listés ci-dessous peut entraîner des décharges électriques, des incendies et/ou de graves blessures.

Conservez tous les avertissements et toutes les instructions afin de pouvoir vous y référer dans le futur. Le terme "outil électrique" mentionné dans tous les avertissements listés ci-dessous fait référence à vos outils électriques branchés sur secteur (avec câble) ou fonctionnant sur pile ou batterie (sans fil).

1. Sécurité de la zone de travail

- a. **Maintenez la zone de travail propre et bien éclairée.**
Les zones sombres ou encombrées sont propices aux accidents.
- b. **N'utilisez pas d'outils électriques dans un environnement présentant des risques d'explosion ou en présence de liquides, gaz ou poussières inflammables.** Les outils électriques créent des étincelles qui peuvent enflammer les poussières et les fumées.
- c. **Maintenez les enfants et les autres personnes à l'écart quand vous utilisez un outil électrique.** Toute distraction peut vous faire perdre le contrôle de l'outil.

2. Sécurité électrique

- a. **Les prises des outils électriques doivent correspondre à la prise de courant murale. Ne modifiez jamais la prise d'aucune sorte. N'utilisez aucun adaptateur avec des outils électriques reliés à la terre.** L'utilisation de prises d'origine et de prises murales appropriées permet de réduire le risque de décharge électrique.
- b. **Évitez tout contact physique avec des surfaces reliées à la terre comme des tuyaux, des radiateurs, des fours et des réfrigérateurs par exemple.** Il y existe un risque accru de décharge électrique si votre corps est lui-même relié à la terre.
- c. **N'exposez pas les outils électriques à la pluie, ni à l'humidité.**

Le risque de décharge électrique augmente si de l'eau pénètre dans un outil électrique.

- d. **Ne tirez pas sur le cordon d'alimentation. N'utilisez jamais le cordon pour transporter, tirer ou débrancher l'outil électrique. Maintenez le cordon à l'écart de la chaleur, des substances grasses, des bords tranchants ou des pièces mobiles.** Les cordons endommagés ou emmêlés augmentent les risques de décharges électriques.
- e. **Si vous utilisez un outil électrique à l'extérieur, utilisez une rallonge homologuée pour les travaux extérieurs.** L'utilisation d'une rallonge électrique homologuée pour les travaux en extérieur réduit le risque de décharge électrique.
- f. **Si l'utilisation d'un outil électrique dans un endroit humide est inévitable, utilisez une alimentation électrique protégée par un disjoncteur différentiel à courant résiduel (DDR).** L'utilisation d'un DDR réduit le risque de décharge électrique.

3. Sécurité des personnes

- a. **Restez vigilant, surveillez ce que vous faites et faites preuve de bon sens lorsque vous utilisez un outil électrique. N'utilisez pas d'outils électriques si vous êtes fatigué ou sous l'influence de drogue, d'alcool ou de médicaments.** Tout moment d'inattention pendant l'utilisation d'un outil électrique peut engendrer de graves blessures.
- b. **Portez des équipements de protection individuelle. Portez toujours une protection oculaire.** Les équipements de protection comme les masques à poussière, les chaussures de sécurité antidérapantes, les casques ou les protections auditives utilisés à bon escient réduisent le risque de blessures.
- c. **Empêchez tout démarrage intempestif. Assurez-vous que l'interrupteur est éteint avant de raccorder l'outil à l'alimentation électrique et/ou au bloc-batterie ou avant de ramasser ou de transporter l'outil.** Le fait de transporter les outils électriques le doigt sur l'interrupteur ou d'alimenter les outils électriques dont l'interrupteur est déjà en position de marche augmente le risque d'accidents.
- d. **Retirez toutes les clés ou pinces de réglage avant de mettre l'outil en marche.** Une clé ou une pince restée fixée sur une pièce rotative de l'outil électrique peut engendrer des blessures.
- e. **Ne vous penchez pas. Gardez les pieds bien ancrés au sol et conservez votre équilibre en permanence.** Cela permet de mieux maîtriser l'outil électrique en cas de situations imprévues.
- f. **Portez des vêtements appropriés. Ne portez aucuns vêtements amples, ni bijoux. Gardez vos cheveux, vos vêtements et vos gants à l'écart des pièces mobiles.**

Les vêtements amples, les bijoux ou les cheveux longs peuvent être happés par les pièces mobiles.

- g. Si vous disposez de dispositifs pour le raccordement d'un extracteur de poussière ou d'installations pour la récupération, assurez-vous qu'ils sont correctement raccordés et utilisés.** L'utilisation de dispositifs récupérateurs de poussières réduit les risques liés aux poussières.
- h. Ne pensez pas être familiarisé avec l'outil après l'avoir utilisé à de nombreuses reprises, au point de ne plus rester vigilant et d'en oublier les consignes de sécurité.** Toute action imprudente peut engendrer de graves blessures en une fraction de seconde.
- 4. Utilisation et entretien d'un outil électrique**
- a. Respectez la capacité de l'outil. Utilisez un outil approprié, adapté au travail à réaliser.** Un outil adapté fonctionne mieux, de façon plus sûre et à la cadence pour laquelle il a été conçu.
- b. N'utilisez pas l'outil électrique si son interrupteur ne permet pas de l'allumer ou de l'éteindre.** Tout outil électrique qui ne peut plus être commandé par son interrupteur est dangereux et il doit être réparé.
- c. Débranchez la prise de la source d'alimentation et/ou retirez le bloc-batterie de l'outil électrique avant d'effectuer des réglages, de changer un accessoire ou de ranger les outils électriques.** Ces mesures de sécurité préventives réduisent le risque de démarrage accidentel de l'outil électrique.
- d. Rangez les outils électriques non utilisés hors de portée des enfants et ne laissez aucune personne ne connaissant pas ces outils ou leurs instructions d'utilisation les faire fonctionner.** Les outils électriques peuvent être dangereux entre des mains inexpérimentées.
- e. Entretenez vos outils électriques et leurs accessoires. Vérifiez que les pièces mobiles sont alignées correctement et qu'elles ne sont pas coincées. Vérifiez qu'aucune pièce n'est cassée et contrôlez l'absence de toute autre condition qui pourrait nuire au bon fonctionnement de l'outil. En cas de dommage, faites réparer l'outil électrique avant de le réutiliser.** De nombreux accidents sont provoqués par des outils électriques mal entretenus.
- f. Maintenez les organes de coupe affûtés et propres.** Des outils de coupe bien entretenus et dont le tranchant est affûté sont moins susceptibles de rester coincés et sont plus faciles à contrôler.
- g. Utilisez l'outil électrique, les accessoires et les embouts d'outils conformément à ces instructions, en tenant compte des conditions de travail et de la tâche à effectuer.** L'utilisation d'un outil électrique à des fins autres que celles pour lesquelles il a été prévu engendre des situations dangereuses.
- h. Veillez à ce que les poignées et les surfaces de préhension soient sèches et propres, sans trace d'huile ou de graisse.** Des poignées glissantes et des surfaces grasses ne permettent pas de manipuler ou de contrôler l'outil de façon sûre en cas de situation inattendue.
- 5. Utiliser et entretenir les outils fonctionnant sur batterie**
- a. N'effectuez la recharge qu'à l'aide du chargeur spécifié par le fabricant.** Un chargeur adapté pour un type de bloc-batterie peut engendrer un risque d'incendie s'il est utilisé avec un bloc-batterie différent.
- b. N'utilisez les outils électriques qu'avec les blocs-batteries qui leur sont dédiés.** L'utilisation d'autres blocs-batteries peut créer un risque de blessures et d'incendie.
- c. Lorsque le bloc-batterie n'est pas utilisé, éloignez-le des objets en métal comme les trombones, les pièces de monnaies, les clés, les clous, les vis ou d'autres petits objets métalliques qui pourraient créer une liaison entre les deux bornes.** La mise en court-circuit des bornes d'une batterie peut provoquer des brûlures ou un incendie.
- d. Dans des conditions extrêmes, du liquide peut être éjecté de la batterie. Évitez tout contact avec ce liquide. En cas de contact accidentel, rincez à l'eau. En cas de contact avec les yeux, consultez en plus un médecin.** Le liquide sortant de la batterie peut provoquer des irritations ou des brûlures.
- e. N'utilisez pas un bloc-batterie ou un outil endommagé ou modifié.** Un bloc-batterie endommagé ou modifié peut avoir un comportement imprévisible qui peut conduire à un incendie, une explosion ou à un risque de blessure.
- f. N'exposez pas le bloc-batterie ou l'outil au feu ou à des températures excessives.** L'exposition au feu ou à des températures dépassant 130 °C peut provoquer une explosion.
- g. Respectez les instructions de charge et ne rechargez pas le bloc-batterie ou l'outil en dehors de la plage de températures spécifiée dans les instructions.** Une charge mal effectuée ou à des températures hors de la plage spécifiée peut endommager le bloc-batterie et augmenter le risque d'incendie.
- 6. Révision/Réparation**
- a. Ne faites réviser/réparer votre outil électrique que par un réparateur qualifié qui n'utilise que des pièces de rechange d'origine.** Cela permet de garantir la sûreté de l'outil électrique.
- b. Ne réparez jamais des blocs-batteries endommagés.**

Les réparations sur les blocs-batteries ne doivent être effectuées que le fabricant ou l'un de ses prestataires de services agréés.

Consignes de sécurité liées aux scies à onglet

- ◆ **Les scies à onglet servent à scier le bois ou les produits dérivés du bois, elles ne peuvent pas être utilisées avec des disques abrasifs de tronçonnage prévus pour les métaux ferreux comme les barres, les tiges, les goujons, etc.** La poussière abrasive provoque le blocage des pièces mobiles comme le carter de protection inférieur par exemple. Les étincelles émises lors du tronçonnage abrasif peuvent embraser le carter inférieur, le repère de trait de coupe et les autres pièces en plastique.
 - ◆ **Utilisez des dispositifs de fixation pour maintenir l'ouvrage lorsque cela est possible. Si vous devez soutenir la pièce à la main, gardez toujours votre main à au moins 100 mm de part et d'autre de la lame de scie. N'utilisez pas cette scie pour découper des pièces trop petites pour être fixées de façon sûre ou pour être tenues à la main.** Si votre main se trouve trop près de la lame de scie, le risque de blessure par la lame est accru.
 - ◆ **L'ouvrage doit être immobile et attaché ou maintenu à la fois contre la garde et contre le plateau. En aucune façon vous ne devez amener l'ouvrage à la lame, ni effectuer de découpe à main levée.** Les ouvrages non fixés ou mobiles peuvent être projetés à haute vitesse et provoquer des blessures.
 - ◆ **Poussez la scie à travers l'ouvrage. Ne tirez pas la scie à travers l'ouvrage. Pour réaliser une coupe, soulevez la tête de la scie et tirez-la au-dessus de l'ouvrage à l'arrêt, démarrez le moteur, abaissez la tête de scie et poussez la scie à travers l'ouvrage.** Scier pendant la phase de traction a tendance à faire grimper la lame de scie sur le dessus de l'ouvrage et à violemment projeter l'ensemble de la lame vers l'opérateur.
 - ◆ **Ne croisez jamais les mains au-dessus de la ligne de coupe prévue, que ce soit devant ou derrière la lame de scie.** Le fait de soutenir l'ouvrage les mains croisées, c-à-d de tenir l'ouvrage à droite de la lame de scie avec la main gauche ou vice-versa, est très dangereux.
 - ◆ **N'avancez jamais l'une ou l'autre de vos mains derrière la garde, à plus de 100 mm de la lame quel qu'en soit le côté, pour retirer les chutes de bois ou pour une raison quelconque, lorsque la lame est en mouvement.** La distance entre la lame de scie en mouvement et votre main peut ne pas être si évidente à évaluer et vous risquez de vous blesser sévèrement.
 - ◆ **Inspectez l'ouvrage avant de le scier. Si l'ouvrage est courbe ou voilé, fixez-le face courbe contre la garde.**
- ◆ **Assurez-vous toujours qu'il n'y a aucun espace entre l'ouvrage, la garde et le plateau, le long de la ligne de coupe.** Les pièces courbes ou voilées peuvent vriller ou se déplacer et provoquer le coincement de la lame en mouvement pendant le sciage. L'ouvrage ne doit contenir aucun clou ou corps étranger.
 - ◆ **N'utilisez pas la scie tant que le plateau n'a pas été débarrassé de tous les outils, chutes de bois, etc et qu'il ne reste pas que la pièce à scier.** Les petits débris, les morceaux de bois ou les autres objets en vrac qui entrent en contact avec la lame en mouvement peuvent être projetés à haute vitesse.
 - ◆ **Ne sciez qu'une seule pièce à la fois.** Plusieurs pièces empilées ne peuvent pas être correctement attachées ou accolées et elles peuvent coincer la lame ou se décaler pendant la coupe.
 - ◆ **Assurez-vous que la scie à onglet est correctement fixée ou posée sur une surface de travail ferme et de niveau avant de l'utiliser.** Une surface de travail ferme et de niveau réduit les risques d'instabilité de la scie à onglet.
 - ◆ **Planifiez votre travail. Chaque fois que vous modifiez l'angle de biseau ou l'angle d'onglet, assurez-vous que la garde réglable est correctement placée pour soutenir l'ouvrage et qu'elle ne gêne ni la lame, ni le système de protection.** Sans mettre l'outil en marche et sans que l'ouvrage ne soit sur le plateau, déplacez la lame de scie pour simuler la procédure de coupe complète et vous assurer qu'il n'existe aucune interférence avec la garde ou risque de la scier.
 - ◆ **Installez des supports adaptés, comme les rallonges du plateau, des chevalets, etc. pour les pièces plus larges ou plus longues que le plateau de l'établi.** Les pièces plus longues ou plus larges que le plateau de la scie à onglet peuvent basculer si elles ne sont pas correctement soutenues. Le morceau coupé de la pièce ou les bouts de l'ouvrage peuvent soulever le carter inférieur ou être projetés par la lame en rotation.
 - ◆ **Ne demandez à personne de remplacer une rallonge ou un support supplémentaire.** Les supports de pièce instables peuvent provoquer le coincement de la lame ou le déplacement de la pièce pendant la découpe et vous faire entrer, vous et la personne qui vous aide, en contact avec la lame en rotation.
 - ◆ **Le morceau coupé de la pièce ne doit en aucune manière être bloqué ou comprimé contre la lame de scie en rotation.** S'il l'est, à l'aide de butées de longueur par exemple, le morceau coupé de la pièce peut se retrouver enclavé contre la lame et être violemment projeté.
 - ◆ **Utilisez toujours un système d'attache ou de serrage conçu pour correctement soutenir les matériaux ronds comme les baguettes ou les tubes.**

Les baguettes ont tendance à rouler pendant leur découpe et à faire "mordre" la lame et à attirer votre ouvrage et votre main vers la lame.

- ◆ **Laissez la lame atteindre sa pleine vitesse avant de la mettre en contact avec l'ouvrage.** Cela permet de réduire le risque de projection de la pièce.
- ◆ **Si la pièce et/ou la lame sont bloquées, éteignez la scie. Patientez le temps que toutes les pièces mobiles se soient arrêtées et débranchez la prise de la source d'alimentation électrique et/ou retirez le bloc-batterie. Intervenez ensuite pour libérer les pièces coincées.** Continuer à scier alors que l'ouvrage est bloqué peut provoquer une perte de contrôle ou endommager la scie à onglet.
- ◆ **Une fois la découpe terminée, relâchez l'interrupteur, gardez la tête de scie abaissée et attendez que la lame soit arrêtée avant de retirer la pièce coupée.** Avancer ses mains près d'une lame tournant encore par inertie est dangereux.

Consignes de sécurité supplémentaires pour les scies à onglet

- ◆ L'utilisation prévue est décrite dans ce manuel d'utilisation. L'utilisation d'un accessoire ou d'un équipement non spécifié ou l'utilisation de cet outil à d'autres fins que celles recommandées dans ce manuel d'utilisation présentent un risque de blessures et/ou de dommages matériels.
- ◆ N'utilisez pas de lame de scie fissurée, tordue, endommagée ou déformée.
- ◆ Remplacez la plaque de saignée lorsqu'elle est usée.
- ◆ N'utilisez pas de lames dont le diamètre est plus grand ou plus petit que celui recommandé. Référez-vous aux caractéristiques techniques pour savoir quelles lames choisir. N'utilisez que les lames mentionnées dans ce manuel, conformes à la norme EN 847-1.
- ◆ N'utilisez pas de lames HSS.



Avertissement ! Tout contact ou inhalation des poussières émises pendant le sciage peut nuire à la santé de l'opérateur et des personnes à proximité. Portez un masque anti-poussière spécialement conçu pour vous protéger des poussières et des fumées et veillez à ce que les personnes qui se trouvent à l'intérieur de la zone de travail ou qui y pénètrent soient également protégées.

- ◆ Ne travaillez pas avec des matériaux contenant de l'amiante. L'amiante est considérée comme étant cancérigène.
- ◆ Portez des gants pour manipuler les lames et les matériaux bruts (les lames doivent, si possible, être transportées dans un support).

- ◆ Portez des protections auditives afin de réduire le risque de perdre l'ouïe.
- ◆ Pensez à utiliser des lames spécialement conçues pour réduire le bruit ambiant.
- ◆ Portez une protection oculaire afin de réduire les risques de blessure.
- ◆ Utilisez le sac à poussière fourni lorsque vous sciez du bois.
- ◆ **Tenez l'outil électrique par les surfaces de préhension isolées prévues à cet effet pour les opérations au cours desquelles l'organe de coupe pourrait entrer en contact avec des fils électriques cachés ou son propre cordon.** Tout contact de l'organe de coupe avec un fil sous tension peut mettre les parties métalliques exposées de l'outil sous tension et provoquer un choc électrique à l'utilisateur
- ◆ Choisissez une lame adaptée à la matière à scier.
- ◆ Ne faites pas fonctionner la machine sans que le carter de protection ne soit en place. Ne faites pas fonctionner la machine si le carter de protection ne fonctionne pas ou s'il n'est pas correctement entretenu.
- ◆ Prenez soin de fixer le bras solidement pour effectuer des coupes en biseau.
- ◆ Avant chaque coupe, assurez-vous que la machine est stable.
- ◆ Veillez à garder les poignées sèches et propres, exemptes d'huile ou de graisse.
- ◆ Maintenez la zone autour de la machine propre. Ne laissez aucun matériau traîner, comme par exemple des copeaux et des chutes de bois.
- ◆ Assurez-vous du bon éclairage de la machine et de la zone de travail.
- ◆ Ne laissez pas les personnes non initiées utiliser cette machine.
- ◆ Assurez-vous que la lame est correctement installée avant chaque utilisation. Assurez-vous que la lame tourne dans le bon sens. Gardez la lame bien affûtée. Suivez les instructions pour le graissage et le changement des accessoires.
- ◆ Assurez-vous que la vitesse indiquée sur la lame de scie est au moins égale à la vitesse indiquée sur la scie.
- ◆ Assurez-vous que toutes les entretoises et les bagues d'axe utilisées sont adaptées à l'utilisation tel que spécifié par STANLEY FATMAX.
- ◆ Les réparations du système de guidage sur la ligne de coupe doivent être confiées à des réparateurs agréés ou à l'équipe d'assistance STANLEY FATMAX.
- ◆ Retirez la batterie de la machine avant d'effectuer toute opération de maintenance ou de changer la lame.

- ◆ N'effectuez jamais aucune opération de nettoyage ou de maintenance et ne retirez jamais aucune chute de bois ou autre morceau de l'ouvrage de la zone de travail, tant que la machine est en marche et que la tête de scie n'est pas à l'arrêt.
- ◆ Lorsque cela est possible, fixez toujours la machine sur un établi.
- ◆ Assurez-vous que toutes les poignées et boutons de verrouillage sont correctement serrés avant de commencer une quelconque opération.
- ◆ N'utilisez jamais la scie sans son plateau.
- ◆ Ne tentez jamais d'arrêter rapidement la machine en coinçant un outil ou autre chose contre la lame. Cela pourrait provoquer de graves accidents.
- ◆ Lisez le manuel d'utilisation avant d'utiliser la machine ou d'installer un accessoire. L'utilisation incorrecte d'un accessoire peut provoquer des dommages.
- ◆ Soulevez la lame de l'insert du plateau dans l'ouvrage avant de relâcher l'interrupteur Marche/Arrêt.
- ◆ Ne calez jamais aucun élément contre le ventilateur pour bloquer l'axe du moteur.
- ◆ Le carter de protection de votre scie se soulève automatiquement quand le bras est abaissé et il s'abaisse automatiquement sur la lame quand le bras est relevé. Le carter de protection peut être soulevé à la main pour installer ou retirer les lames de scie ou pour inspecter la scie. Ne relevez jamais le carter de protection à la main si la machine n'est pas éteinte.
- ◆ Vérifiez régulièrement que les orifices d'aération du moteur sont propres et exempts de copeaux.
- ◆ N'abîmez jamais les mentions d'avertissement figurant sur l'outil électrique.
- ◆ Ne montez jamais sur l'outil électrique. De graves blessures pourraient être occasionnées si l'outil électrique devait basculer ou en cas de contact avec la lame de la scie.
- ◆ Après une coupe, ne touchez jamais la lame de la scie avant qu'elle n'ait refroidi. La lame chauffe énormément pendant la coupe.
- ◆ Afin d'éviter les blessures dues aux projections, retirez la batterie de la scie pour empêcher tout démarrage accidentel avant de retirer les petites chutes.
- ◆ Avant l'utilisation et après toute opération de maintenance, contrôlez le bon fonctionnement du carter de protection. Ce test doit être effectué alors que la scie est éteinte et que la batterie a été retirée. Le bras doit être relevé et abaissé pour garantir que le carter de protection recouvre la lame et que cette dernière n'entre pas en contact avec le carter. Si le carter de protection ne fonctionne pas correctement, faites réparer votre outil électrique par un réparateur qualifié. Appelez le service client de STANLEY FATMAX pour trouver le prestataire de service le plus proche.

- ◆ **Cette scie à onglet a été conçue pour scier le bois, le plastique et les métaux non ferreux uniquement.** N'utilisez pas la scie pour scier des matériaux autres que ceux recommandés par le fabricant.
- ◆ Après une coupe, ne touchez jamais la lame de la scie avant qu'elle n'ait refroidi. La lame chauffe énormément pendant la coupe.



Avertissement ! La découpe de plastique, de bois recouvert de sève et d'autres matériaux peut provoquer l'accumulation de matière fondue sur les pointes et le corps de la lame de scie, augmentant ainsi le risque de surchauffe et de grippage de la lame pendant la découpe.

Sécurité des personnes

- ◆ Cet chargeur peut être utilisé par des enfants âgés de 8 ans ou plus et par des personnes aux capacités physiques, mentales ou sensorielles déficientes ou qui manquent d'expérience ou de connaissance s'ils sont supervisés ou qu'ils ont été formés à l'utilisation sûre de l'appareil et qu'ils sont conscients des risques potentiels.
- ◆ Ne laissez pas les enfants jouer avec l'appareil. Le nettoyage et la maintenance à réaliser par l'utilisateur ne doivent pas être entrepris par des enfants sans surveillance.

Risques résiduels

Les risques suivants sont inhérents à l'utilisation des scies : Malgré l'application de toutes les réglementations sur la sécurité pertinentes et la mise en œuvre de dispositifs de sécurité, certains risques résiduels ne peuvent pas être évités. Ils comprennent :

- ◆ Les blessures dues au contact avec des pièces mobiles/ en rotation.
- ◆ Les troubles de l'ouïe.
- ◆ Les risques d'accidents dus aux éléments à nu de la lame de scie en mouvement.
- ◆ Les risques de blessures dus au changement de pièces, de lames ou d'accessoires.
- ◆ Le risque de coincement des doigts au moment de l'ouverture des carters de protection.
- ◆ Les risques pour la santé dus à l'inhalation des sciures de bois, et notamment de chêne, hêtre et de MDF.
- ◆ Les blessures dues à l'utilisation prolongée d'un outil. Lorsque vous utilisez un outil quel qu'il soit pendant de longues périodes, veillez à faire des pauses régulières.

Le bruit

La valeur des émissions de bruit déclarée a été mesurée selon une méthode de test standard et elle peut être utilisée pour comparer un outil à un autre.

La valeur des émissions de bruit déclarée peut également être utilisée pour une évaluation préliminaire à l'exposition.

Avertissement ! Le bruit émis pendant l'utilisation réelle de l'outil électrique peut différer des valeurs déclarées en fonction de la façon dont l'outil est utilisé et tout particulièrement en fonction du type de pièce sciée.

Avertissement ! Portez toujours des protections auditives adaptées. Dans certaines circonstances et en fonction des durées d'utilisation, le bruit émis par ce produit peut contribuer à une perte de l'ouïe. Faites attention aux facteurs suivants qui influencent l'exposition au bruit :

- ◆ L'utilisation de lames de scie conçues pour amoindrir le bruit émis,
- ◆ L'utilisation stricte de lames de scie bien affûtées, et
- ◆ L'utilisation de lames de scie spécifiquement conçues pour amoindrir le bruit.

Étiquettes apposées sur l'outil

Les pictogrammes suivants ainsi que le code date sont apposés sur l'outil :



Avertissement ! Afin de réduire le risque de blessures, l'utilisateur doit lire le manuel d'utilisation.



Portez des lunettes de protection



Portez des protections auditives



Portez un masque anti-poussière



Ce produit ne doit pas être utilisé par des enfants de moins de 16 ans



Gardez les mains loin de la lame



Zone interdite aux mains - Éloignez vos doigts et bras de la lame de scie en mouvement



Portez des gants pour manipuler les lames de scie



Ne regardez pas directement la lampe allumée

Consignes de sécurité supplémentaires propres aux batteries et chargeurs

Avertissement ! Cet appareil ne doit être utilisé qu'avec le bloc d'alimentation électrique fourni.

Remarque : La plage de températures de fonctionnement de l'outil recommandée est comprise entre 4 °C et 40 °C.

Batteries

- ◆ Ne tentez de les ouvrir sous aucun prétexte.

- ◆ Ne mettez pas les batteries en contact avec de l'eau.
- ◆ Ne les stockez pas dans des endroits où la température peut dépasser 40 °C.
- ◆ Ne les rechargez qu'à une température ambiante comprise entre 10 °C et 40 °C.
- ◆ N'utilisez que le chargeur fourni avec l'outil.
- ◆ Au moment de jeter les batteries, respectez les instructions mentionnées à la section "Protection de l'environnement".



N'essayez pas de recharger des batteries endommagées.

Chargeurs

- ◆ N'utilisez votre chargeur Stanley Fat Max que pour recharger la batterie fournie avec l'outil. D'autres batteries pourraient exploser et provoquer des blessures et des dommages.
- ◆ **Ne tentez jamais de recharger des piles non rechargeables.**
- ◆ **Faites immédiatement remplacer les cordons endommagés.**
- ◆ N'exposez pas le chargeur à l'eau.
- ◆ N'ouvrez pas le chargeur.
- ◆ Ne sondez pas le chargeur.



Le chargeur est conçu pour être exclusivement utilisé à l'intérieur.



Lisez le manuel d'utilisation avant de l'utiliser.

Sécurité électrique



Votre chargeur dispose d'une double isolation, aucune liaison à la terre n'est donc nécessaire. Vérifiez toujours que la tension du réseau électrique correspond à la tension figurant sur la plaque signalétique. N'essayez jamais de remplacer le module de charge par une prise de courant ordinaire.

- ◆ Si le câble d'alimentation est endommagé, il doit être remplacé par le fabricant ou dans un centre d'assistance agréé Stanley FatMax afin d'éviter tout accident.

Caractéristiques

Cet outil dispose de tout ou partie des éléments suivants.

1. Interrupteur à gâchette
2. Poignée de manœuvre
3. Orifices de fixation
4. Carter de protection inférieur
5. Bouton de verrouillage de l'onglet
6. Gâche de l'onglet
7. Plaque de saignée
8. Échelle de graduation de l'onglet
9. Indicateur de l'échelle de graduation de l'onglet

10. Poignées de transport
11. Garde
12. Bouton de verrouillage du biseau
13. Rails
- 13a. Bande Velcro
14. Raccord pour l'aspiration des poussières
15. Bloc-batterie
16. Interrupteur Éclairage de travail
17. Levier de verrouillage
18. Vis de verrouillage du rail
19. Trous de fixation de la bride
20. Goupille de verrouillage en position basse

Assemblage (Fig. A)

Votre scie à ongles est pré-assemblée dans son carton.

- ◆ Ouvrez le carton et sortez la scie en utilisant les poignées de transport (10) à la base de la scie (Fig. A).
- ◆ Placez la scie sur une surface homogène et plate, comme un établi ou un plateau solide par exemple.
- ◆ Consultez le schéma de montage de la page 2 de ce manuel afin de vous familiariser avec la scie et ses différentes pièces. La section sur les réglages fait référence à ces termes et vous devez savoir reconnaître ces pièces et savoir où elles se trouvent.
- ◆ Le bouton de verrouillage de l'onglet (5) n'est pas assemblé au moment de l'expédition. Sortez le bouton de verrouillage de l'onglet (5) de l'emballage et vissez-le sur la scie, voir les figures G et J pour savoir où.
- ◆ Votre scie intègre un raccord pour l'aspiration des poussières (14) qui permet de raccorder le sac à poussière (35) fourni mais non installé ou un aspirateur du commerce (Fig. N).

Plaque de saignée (Fig. J)

La plaque de saignée (7) est fixée au plateau à l'aide de 6 vis. La hauteur de la plaque de saignée (7) n'est pas réglable.

Remarque : Si la plaque de saignée (7) est usée, endommagée ou qu'elle doit être remplacée, les réparations doivent être confiées à un réparateur agréé ou à l'équipe d'assistance STANLEY FATMAX.

Goupille de verrouillage en position basse (Fig. F)

Avertissement ! La goupille de verrouillage en position basse NE doit être utilisée QUE pour le transport ou le stockage de la scie. N'utilisez JAMAIS la goupille de verrouillage en position basse pendant une opération de coupe.

Remarque : Pour soulever, porter et soutenir la scie à ongles pour son transport, utilisez les deux poignées de transport (10) situées des deux côtés à la base de la scie (Fig. A). Pour verrouiller la tête de scie en position basse, poussez-la vers le bas, enfoncez la goupille de verrouillage en position basse (20) puis relâchez la tête de scie.

Cela permet de maintenir la tête de scie en bas en toute sécurité afin de pouvoir transporter la scie d'un endroit à un autre. Pour libérer la tête de scie, maintenez-la enfoncée et sortez la goupille.

Avertissement ! Assurez-vous toujours que l'outil est éteint et que la batterie est retirée avant de régler ou de contrôler le fonctionnement de l'outil.

Recharger la batterie (Fig. B)

La batterie doit être rechargée avant la première utilisation et chaque fois qu'elle n'apporte plus assez de puissance pour les travaux réalisés sans peine auparavant. La batterie peut chauffer pendant la charge. Ce phénomène est normal et n'indique pas un problème.

Avertissement ! Ne rechargez pas la batterie à une température ambiante inférieure à 10 °C ou supérieure à 40 °C. La température recommandée est d'environ 24 °C.







Remarque : Le chargeur ne recharge pas la batterie si la température de la cellule est inférieure à environ 10°C ou supérieure à 40°C.

La batterie doit rester dans le chargeur. Le chargeur commence automatiquement la charge dès que la température de la cellule remonte ou redescend.

Remarque : Afin de garantir des performances et une durée de vie optimales des blocs-batteries Li-Ion, rechargez-les complètement avant la première utilisation.

- ◆ Branchez le chargeur (21) dans une prise appropriée avant d'insérer le bloc-batterie (15).
- ◆ Le témoin de charge vert (21a) clignote en continu pour indiquer que le processus de charge a commencé.
- ◆ La fin de la charge est indiquée par le voyant vert (21a) restant allumé en fixe en continu. Le bloc-batterie (15) est alors complètement rechargé et il peut soit être retiré et utilisé, soit être laissé dans le chargeur (21).
- ◆ Rechargez les batteries déchargées dans un délai d'une semaine. La durée de vie de la batterie est considérablement diminuée si elle est stockée déchargée.

État des voyants du chargeur

	Charge : Voyant vert qui clignote	
	Charge complète terminée : Voyant vert allumé en fixe	
	Délai Bloc chaud/froid : Voyant vert qui clignote Voyant rouge allumé en fixe	

Remarque : Les chargeurs compatibles ne rechargent pas les blocs-batteries défectueux. Le chargeur indique un bloc-batterie défectueux en refusant de s'allumer.

Remarque : Cela peut également signifier un problème avec un chargeur. Si le chargeur indique un problème, apportez-le avec le bloc-batterie dans un centre d'assistance agréé pour les faire tester.

Laisser la batterie dans le chargeur

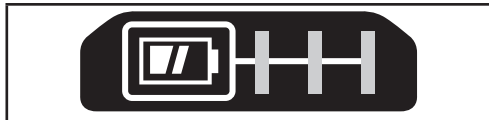
Le chargeur et le bloc-batterie peuvent rester raccordés avec le voyant allumé en continu. Le chargeur maintient le bloc-batterie complètement chargé.

Délai Bloc chaud/froid

Si le chargeur détecte que la batterie est trop chaude ou trop froide, il démarre automatiquement un délai Bloc Chaud/Froid, le voyant vert (21a) clignote en continu alors que le voyant rouge (21b) reste allumé en continu. La charge est suspendue jusqu'à ce que la batterie ait atteint une température appropriée. Le chargeur passe ensuite automatiquement en mode Charge. Cette fonctionnalité assure la durée de vie maximale de la batterie.

Témoin du niveau de charge de la batterie (Fig. C)

La batterie intègre un témoin de niveau de charge qui permet de savoir rapidement la charge restante de la batterie, comme illustré par la figure B. En appuyant sur le bouton du témoin de niveau charge (15a) vous pouvez facilement voir le niveau de charge restant dans la batterie, comme illustré par la figure B.



Installer et retirer la batterie (Fig. D, E)

- ◆ Pour installer la batterie (15), alignez-la dans le compartiment dans l'outil (22). Glissez la batterie dans le compartiment et poussez-la jusqu'à ce qu'elle s'enclenche en place.
- ◆ Pour retirer la batterie, poussez le bouton de libération de la batterie (15b) tout en tirant sur la batterie pour la sortir du compartiment, comme illustré par la figure E.

Remplacer une lame de scie ou installer une lame de scie neuve (Fig. G, H, I)

Avertissement ! Afin de réduire tout risque de blessures graves, arrêtez l'outil et retirez le bloc-batterie avant de transporter la scie, d'effectuer des réglages ou de retirer/installer tout équipement ou accessoire. Tout démarrage accidentel peut provoquer des blessures.

Retirer la lame

- ◆ Retirez le bloc-batterie (15) de la scie.

- ◆ Relevez le bras jusqu'à sa position la plus haute et soulevez le carter inférieur (4) aussi loin que possible.
- ◆ Dévissez sans la retirer la vis avant du support du carter de protection (24) jusqu'à ce que le support (25) puisse être soulevé suffisamment pour avoir accès à la vis de la lame (26). Le carter inférieur reste soulevé grâce à la position de la vis de son support.
- ◆ Appuyez sur le bouton de verrouillage de l'axe (28) tout en tournant doucement la lame de scie (29) à la main jusqu'à ce que le verrou s'enclenche.
- ◆ En gardant le bouton enfoncé, utilisez l'autre main et la clé à six pans fournie pour desserrer la vis de la lame (26). (Tournez dans le sens de aiguilles d'une montre, filetage à gauche.)
- ◆ Retirez la vis de la lame (26) avec le côté hexagonal de la clé fournie, la rondelle de la bride extérieure (30) et la lame (29). La rondelle de la bride intérieure (31) peut être laissée sur l'axe (32).

Installer la lame

- ◆ Retirez le bloc-batterie (15) de la scie.
- ◆ Bras relevé, carter inférieur (4) maintenu ouvert et support de carter (25) soulevé, placez la lame (29) sur l'axe (32) et contre la bride intérieure de la lame (31) avec les dents de la lame dirigées dans le sens de rotation tel que marqué sur la scie.
- ◆ Installez la rondelle de la bride extérieure (30) sur l'axe (32).
- ◆ Installez la vis de la lame (26) et, tout en engageant le bouton de verrouillage de l'axe (28), serrez fermement la vis (26) avec la clé fournie. (Tournez dans le sens inverse des aiguilles d'une montre, filetage à gauche).
- ◆ Ramenez le support du carter de protection (25) à sa position d'origine complètement en bas et vissez fermement la vis du support du carter de protection (24) pour maintenir le support en place.

Système de guidage sur la ligne de coupe

Avertissement ! Ne regardez pas directement la source lumineuse. De graves lésions oculaires pourraient en résulter.

Remarque : La batterie doit être rechargée et installée dans la scie à ongle.

Le système de guidage sur la ligne de coupe ne peut être allumé ou éteint qu'avec l'interrupteur de l'éclairage de travail (16).

Pour scier sur une ligne de crayon existante sur une pièce en bois, allumez le système de guidage sur la ligne de coupe à l'aide de l'interrupteur de l'éclairage de travail (16) (et pas avec l'interrupteur principal), abaissez ensuite la poignée de travail (2) pour amener la lame de scie près de l'ouvrage. L'ombre de la lame apparaît sur le bois. Cette ligne d'ombre représente la matière que la lame va retirer pendant la coupe.

Pour parfaitement aligner votre coupe avec votre ligne de crayon, alignez la ligne de crayon avec le bord de l'ombre de la lame. Gardez à l'esprit qu'il se peut que vous deviez régler les angles de l'onglet ou de biseau pour qu'ils correspondent exactement à la ligne de crayon.

Votre scie intègre une fonction Défaut batterie. L'éclairage de travail se met à clignoter quand la batterie approche la fin de son niveau de charge utile ou si la batterie devient trop chaude. Rechargez la batterie avant de continuer à scier. Consultez la procédure de charge de la section Consignes de sécurité importantes liées aux blocs-batteries pour connaître les consignes liées à la charge.

Contrôle de l'onglet (Fig. J)

Le bouton de verrouillage de l'onglet (5) et le bouton d'enclenchement de l'onglet (6) vous permettent de régler l'angle de votre scie de 47° à droite et de 47° à gauche. Le verrou d'onglet s'enclenche automatiquement à 0°, 15°, 22,5°, 31,6° et 45° à gauche comme à droite. Pour régler l'angle de la scie, déverrouillez le mécanisme de verrouillage de l'onglet en tournant le bouton de verrouillage de l'onglet (5) dans le sens inverse des aiguilles d'une montre pour déverrouiller et dans le sens des aiguilles d'une montre pour verrouiller. Tirez le bouton d'enclenchement de l'onglet (6) vers le haut et réglez l'angle voulu sur l'échelle de graduation (8). Bloquez le bouton de verrouillage de l'onglet (5) en tournant dans le sens des aiguilles d'une montre.

Bouton de verrouillage du biseau (Fig. K)

Le verrouillage du biseau vous permet de régler l'angle oblique de la scie à 48° à gauche. Pour ajuster le réglage du biseau, tournez le bouton de verrouillage du biseau (12) dans le sens inverse des aiguilles d'une montre. Pour serrer, tournez le bouton de verrouillage du biseau dans le sens des aiguilles d'une montre.

Attention ! Risque de pincement. Assurez-vous de bien serrer le bouton de verrouillage du biseau avant de régler les corrections d'avance et de vitesse.

Interrupteur à gâchette (Fig. L)

Pour mettre la scie en marche, poussez le levier de verrouillage (17) vers la gauche, puis enfoncez l'interrupteur à gâchette (1). La scie reste en marche tant que l'interrupteur reste enfoncé. Laissez la lame atteindre sa pleine vitesse avant d'entamer la coupe. Relâchez l'interrupteur pour arrêter la scie. Laissez la lame s'arrêter complètement avant de relever la tête de la scie. Il n'y a aucun moyen de verrouiller l'interrupteur en position Marche. La gâchette est équipé d'un trou (1a) qui permet d'insérer un cadenas pour consigner la scie. Votre scie est équipée d'un système de freinage de la lame électrique automatique mais la lame de la scie doit normalement s'arrêter dans les 5 secondes qui suivent le relâchement de la gâchette. Ce délai n'est pas réglable.

Si les temps d'arrêt dépassent fréquemment les 5 secondes, faites réparer l'outil dans un centre d'assistance agréé Stanley FatMax.

Assurez-vous toujours que la lame est arrêtée avant de la sortir du trait de coupe.

Extraction des poussières (Fig. M)

Avertissement ! Afin de réduire tout risque de blessures graves, éteignez l'outil et retirez le bloc-batterie avant de transporter la scie, d'effectuer des réglages ou de retirer/installer tout équipement ou accessoire. Tout démarrage accidentel peut provoquer des blessures. Votre scie intègre un raccord pour l'aspiration des poussières (14) qui permet de raccorder le sac à poussière (35) fourni mais non installé ou un aspirateur du commerce.

Pour installer le sac à poussière

- ◆ Installez le sac à poussière (35) sur le raccord (14) comme illustré par la figure M.
- ◆ Un tuyau d'aspirateur (38 - non fourni) peut être installé sur le raccord d'aspiration des poussières (14) à la place du sac à poussière (35). Cela est réalisable en installant le tuyau de l'aspirateur (38) à la place du sac à poussière (35), voir la figure M.
- ◆ Utilisez la bande Velcro (13a) pour maintenir le tuyau d'aspiration (38) loin des rails coulissant (13) pendant le fonctionnement de la scie.

Remarque : La bande Velcro (13a) n'est pas une poignée de transport et elle ne doit pas être utilisée pour déplacer ou transporter la scie.

Pour vider le sac à poussière

- ◆ Retirez le sac à poussière (35) de la scie et secouez-le doucement ou tapotez-le pour le vider.
- ◆ Refixez le sac à poussière sur le raccord (14).

Il se peut que les poussières ne sortent pas librement du sac. Cela n'affecte pas les performances de sciage mais réduit l'efficacité de la récupération des poussières de la scie. Afin de restaurer l'efficacité de la récupération des poussières de votre scie, appuyez sur le ressort à l'intérieur du sac à poussière quand vous le videz et tapotez le sac sur le bord de la poubelle ou du réceptacle à poussière.

Avertissement ! Ne faites jamais fonctionner cette scie si le sac à poussière n'est pas en place. Les poussières de bois peuvent engendrer des problèmes respiratoires.

Scier à l'aide de votre scie

Si la fonction coulissante n'est pas utilisée, assurez-vous que la tête de scie est reculée aussi loin que possible et que la vis de verrouillage du rail (18) est bien serrée. Cela permet d'empêcher la scie de glisser le long de ses rails au moment où la pièce à scier est engagée.

Remarque : NE SCIEZ PAS LES MÉTAUX FERREUX OU LES MATÉRIAUX DE MAÇONNERIE AVEC CETTE SCIE (SEULS LES MÉTAUX NON FERREUX PEUVENT ÊTRE SCIÉS AVEC CETTE SCIE). N'utilisez pas de lames abrasives.

Remarque : Consultez les informations liées à l'activation du carter et à la visibilité dans la section des réglages pour obtenir d'importantes informations sur le carter de protection inférieur avant d'effectuer une coupe.

Coupes transversales (Fig. N)

Une coupe transversale est une coupe qui traverse le grain du bois à n'importe quel angle. Une coupe transversale droite est réalisée avec le bras d'onglet positionné à zéro degré. Réglez et verrouillez le bras d'onglet à zéro, maintenez fermement le bois sur le plateau et contre la garde. Après avoir serré la vis de verrouillage du rail (18), allumez la scie en appuyant sur l'interrupteur à gâchette (1).

Lorsque la scie atteint son plein régime (après env. 1 seconde), abaissez doucement et lentement le bras pour scier à travers le bois. Laissez la lame s'arrêter complètement avant de relever le bras.

Lorsque vous sciez quelque pièce que ce soit dépassant 2 x 4 (51 x 102), utilisez un mouvement extérieur-bas-arrière avec le vis de verrouillage du rail (18) desserrée. Tirez la scie vers l'extérieur, vers vous, abaissez la tête de scie vers l'ouvrage et repoussez lentement la scie pour terminer la coupe. Ne laissez pas la lame de scie entrer en contact avec le sommet de la pièce à scier au moment de la traction. La scie pourrait se déplacer rapidement vers vous et vous blesser ou abîmer l'ouvrage.

Avertissement ! Utilisez toujours un système de fixation pour l'ouvrage pour garder le contrôle et réduire le risque d'endomager l'ouvrage et de vous blesser, si vos mains doivent être à 6" (152 mm) de la lame pendant la coupe.

Remarque ! La vis de verrouillage du rail (18) doit être desserrée pour permettre à la scie de glisser le long de ses rails.

Les coupes transversales d'onglet sont effectuées avec le bras de l'onglet réglé à un angle autre que zéro.

Cet angle est souvent de 45° pour couper des coins, mais il peut être défini à n'importe quelle valeur entre zéro et 47° à gauche ou 47° à droite. Procédez à la coupe, comme décrit ci-dessus.

Lorsque vous réalisez une coupe d'onglet sur des pièces plus larges que 2 x 6 mais plus courtes en longueur, placez toujours le côté le plus long contre la garde (Fig. O).

Pour découper en suivant une ligne de crayon existante sur une pièce en bois, faites correspondre au plus proche la ligne avec l'angle. Sciez le bois un peu plus long et mesurez la distance entre la ligne de crayon et le bord de coupe pour déterminer dans quelle direction régler l'angle avant de recouper.

Cela demande de la pratique mais il s'agit d'une technique couramment utilisée.

Coupes en biseau

Une coupe en biseau est une coupe transversale effectuée avec la lame de scie inclinée à un certain angle par rapport au bois. Afin de régler l'angle du biseau, dévissez le bouton de verrouillage du biseau (12) et déplacez la scie vers la gauche comme voulu. Une fois l'angle de biseau voulu atteint, serrez fermement le bouton de verrouillage du biseau. Les angles de biseau peuvent être réglés de 3° à 48° à gauche.

Qualité de la coupe

La régularité de la coupe dépend de nombreuses variables. Des choses comme la matière à scier, le type de lame, l'affûtage de la lame et la cadence de la coupe contribuent toutes à la qualité de la coupe. Lorsque des coupes plus uniformes sont souhaitées, notamment pour des moulures ou d'autres travaux de précision, une lame affûtée (60 dents en carbure) et une vitesse de coupe plus faible et plus régulière permettent d'atteindre le résultat souhaité.

Assurez-vous que la pièce à scier ne bouge pas et ne dévie pas durant la coupe ; fixez-la solidement en position.

Laissez toujours la lame s'arrêter complètement avant de relever le bras. Si de petites fibres de bois se détachent de l'arrière de l'ouvrage, collez un morceau de ruban de masquage sur le bois à l'endroit où la coupe doit être réalisée. Sciez à travers l'adhésif et retirez-le soigneusement une fois l'opération terminée.

En fonction des différentes opérations de sciage, consultez la liste des lames de scie recommandées pour votre scie et choisissez celle qui est le mieux adaptée à vos besoins. Consultez la section Lames de scie dans Accessoires en option.

Position du corps et des mains (Fig. O1–O4)

Le bon positionnement de votre corps et de vos mains lors de l'utilisation de la scie à onglet facilite et améliore la précision et la sécurité. Ne placez jamais vos mains près de la zone de coupe. Éloignez vos mains d'au moins 6" (152 mm) de la lame. Tenez fermement la pièce à scier contre le plateau et la garde pendant la coupe. Gardez vos mains en position tant que la gâchette n'a pas été relâchée et que la lame ne s'est pas complètement arrêtée.

EFFECTUEZ TOUJOURS DES ESSAIS À VIDE (MACHINE ÉTEINTE) AVANT DE RÉALISER VOS COUPES FINALES AFIN DE VÉRIFIER LE PARCOURS DE LA LAME. NE CROISEZ PAS LES MAINS, COMME ILLUSTRÉ PAR LA FIGURE O3.

Gardez vos deux pieds fermement ancrés au sol et conservez votre équilibre.

Lorsque vous déplacez le bras d'onglet vers la gauche ou la droite, suivez-le et tenez-vous légèrement de côté par rapport à la lame de la scie. Regardez à travers les ajours du carter pour suivre la ligne de crayon.

Fixer la pièce à scier

Avertissement ! Afin de réduire tout risque de blessures graves, éteignez l'outil et retirez le bloc-batterie avant de transporter la scie, d'effectuer des réglages ou de retirer/installer tout équipement ou accessoire. Tout démarrage accidentel peut provoquer des blessures.

Avertissement ! Une pièce attachée, équilibrée et sécurisée avant une coupe peut être déséquilibrée après avoir été sciée. Une charge déséquilibrée peut faire basculer la scie ou tout ce sur quoi la scie est fixée, comme une table ou un établi. Lorsque vous effectuez une coupe qui peut créer un déséquilibre, soutenez correctement la pièce à scier et assurez-vous que la scie est fermement bloquée à une surface stable. Vous risquez sinon d'être blessé.

Avertissement ! Le pied du dispositif de fixation doit être fixé par-dessus le plateau de la scie chaque fois que le dispositif de fixation est utilisé. Fixez toujours l'ouvrage sur le plateau de la scie et non sur une autre partie de la zone de travail. Assurez-vous que le pied du dispositif de fixation n'est pas fixé au bord du plateau de la scie.

Avertissement ! Utilisez toujours un système de fixation pour l'ouvrage pour garder le contrôle et réduire le risque d'endommager l'ouvrage et de vous blesser, si vos mains doivent être à 6" (152 mm) de la lame pendant la coupe. Si vous ne pouvez pas sécuriser l'ouvrage sur le plateau ou contre la garde à la main (forme irrégulière, etc) ou que vos mains doivent être à moins de 6" (152 mm) de la lame, vous devez utiliser une attache ou un autre moyen de fixation. Utilisez le système de fixation pour ouvrages fourni avec la scie. Pour acheter un système de fixation pour ouvrages, contactez votre revendeur local ou votre centre d'assistance Stanley FatMax.

D'autres accessoires tels que des pinces à ressort, des brides de serrage ou des brides en C peuvent être utiles en fonction de la taille et de la forme des pièces. Soyez prudent dans le choix et dans l'utilisation de ces brides. Prenez le temps d'effectuer une coupe à blanc avant la coupe réelle.

Pour installer la fixation (Fig. P)

- ◆ Insérez la fixation (37) dans le trou (19), derrière la garde. La fixation doit faire face à l'arrière de la scie à onglets. La rainure sur la tige de fixation doit être complètement insérée dans la base. Assurez-vous que cette rainure est complètement insérée dans la base de la scie à onglets. Si la rainure est visible, cela signifie que l'attache est mal fixée.

- ◆ Tournez la fixation de 180° vers l'avant de la scie à onglet.
- ◆ Desserrez le bouton pour régler la fixation vers le haut ou le bas, puis utilisez le bouton de réglage de précision pour fermement fixer l'ouvrage.

Remarque : Installez la fixation de l'autre côté du plateau pour les coupes en biseau. EFFECTUEZ TOUJOURS DES ESSAIS À VIDE (MACHINE ÉTEINTE) AVANT DE RÉALISER VOS COUPES AFIN DE VÉRIFIER LE PARCOURS DE LA LAME. ASSUREZ-VOUS QUE L'ATTACHE NE GÊNE PAS LE FONCTIONNEMENT DE LA SCIE OU CELUI DES CARTERS DE PROTECTION.

Réglages

Votre scie à onglets est intégralement réglée en usine avec précision au moment de sa fabrication. Si un nouveau réglage est nécessaire suite au transport, à la manutention ou pour toute autre raison, suivez les instructions ci-dessous. Une fois effectués, ces réglages devraient rester précis. Prenez le temps de respecter soigneusement ces directives pour conserver la précision dont est capable votre scie.

Régler l'échelle de graduation de l'onglet (Fig. Q1)

Verrouillez le bras en position basse. Déverrouillez le bouton de verrouillage de l'onglet (5) et faites tourner le bras de l'onglet jusqu'à ce que le bouton d'enclenchement de l'onglet (6) se verrouille sur la position 0°. Ne verrouillez pas le bouton de verrouillage de l'onglet. Placez une équerre contre la garde de la scie et la lame, comme illustré. (Ne touchez pas la pointe des dents de la lame avec l'équerre. Les mesures seront sinon inexactes.) Si la lame de scie n'est pas parfaitement perpendiculaire à la garde, desserrez et déplacez la garde jusqu'à ce que la lame soit perpendiculaire, tel que mesuré à l'équerre. Ne faites pour l'instant pas attention à la valeur lue sur le pointeur de l'échelle de graduation de l'onglet.

Régler le biseau perpendiculaire au plateau (Fig. Q2)

Pour régler la lame perpendiculaire au plateau, verrouillez le bras en position basse à l'aide de la goupille de verrouillage en position basse (20). Placez une équerre contre la lame en prenant soin que l'équerre ne repose pas sur les dents de la scie. Desserrez le bouton de verrouillage du biseau (5) et assurez-vous que le bras est fermement appuyé contre le 0° de la butée du biseau. Tournez la vis de réglage du biseau à 0° avec une douille 1/2" (12,7 mm) (non fournie) autant que nécessaire pour que la lame soit inclinée à 0° par rapport au plateau, tel que mesuré à l'aide d'une équerre.

Enclenchement du carter de protection et visibilité (Fig. V)

Avertissement ! Risque de pincement. Afin de réduire le risque de blessure, gardez votre pouce sous la poignée de travail lorsque vous abaissez cette dernière. Le carter inférieur se relève au fur et à mesure que la poignée de travail est abaissée, vous pourriez vous pincer. Le carter de protection inférieur (4) de votre scie est conçu pour automatiquement découvrir la lame lorsque le bras est abaissé et pour recouvrir la lame lorsque le bras est relevé. Avant chaque utilisation ou après des réglages, faites fonctionner le bras (machine éteinte) et assurez-vous que le carter s'ouvre librement et qu'il se referme complètement. Il ne doit pas entrer en contact avec la lame. Bras relevé, soulevez le carter de protection (machine éteinte) comme illustré par la figure V, puis relâchez-le. Le carter doit rapidement se refermer complètement. N'utilisez pas la scie si le carter inférieur ne se déplace pas librement et qu'il ne se referme pas instantanément. Ne fixez et n'attachez pas le carter en position ouverte lorsque vous utilisez la scie. Le carter de protection peut être soulevé à la main pour installer ou retirer les lames de scie ou pour inspecter la scie.

NE RELEVEZ JAMAIS LE CARTER DE PROTECTION INFÉRIEUR À LA MAIN, TANT QUE LA LAME N'EST PAS À L'ARRÊT.

Remarque : Certaines coupes particulières de pièces larges nécessitent de relever manuellement le carter. Consultez la section Scier de grandes pièces dans Coupes particulières. La partie avant du carter est ajourée pour permettre une bonne visibilité pendant la coupe. Bien que les ajours réduisent considérablement la projection de débris, le carter de protection comporte des ouvertures et le port de lunettes de protection est obligatoire en permanence.

Rail de guidage

Contrôlez régulièrement l'absence de jeu dans les rails (13). Les rails peuvent être nettoyés à l'aide d'un chiffon sec.

Découpe d'encadrements, de boîtes cadres ou de tout autre objet à quatre côtés (Fig. R1, R2)

Pour mieux comprendre la façon de réaliser les éléments listés ici, nous vous suggérons de faire des essais avec des projets simples en utilisant du bois de chute jusqu'à ce que vous "ressentiez" correctement votre scie.

Votre scie est l'outil parfait pour réaliser des coins à l'onglet comme illustré par la figure R1. Le schéma A de la figure R2 illustre un assemblage réalisé en utilisant le réglage du biseau pour biseauter les bords de deux planches à 45° chacun, pour réaliser un coin à 90°. Pour cet assemblage, le bras de l'onglet est verrouillé en position zéro et le réglage du biseau est verrouillé à 45°. Le bois est positionné avec le large côté plat contre le plateau et le bord étroit contre la garde.

La même coupe peut être réalisée par une coupe à onglet à droite et à gauche avec la surface large contre la garde.

Découpe de moulures d'ornement et d'autres cadres (Fig. R2)

Le schéma B de la figure R2 illustre un assemblage réalisé en réglant le bras d'onglet à 45° pour couper à l'onglet les deux planches afin de former un coin à 90°. Pour réaliser ce type d'assemblage, réglez le biseau sur zéro et le bras d'onglet sur 45°. Une fois de plus, positionnez le bois avec le large côté plat contre le plateau et le bord étroit contre la garde.

Les figures R1 et R2 ne concernent que les objets à quatre côtés. Lorsque le nombre de côtés change, les angles d'onglet et de biseau changent aussi. Le tableau ci-dessous indique les angles appropriés en fonction des différentes formes.

Exemples

Nombre de côtés	Angle de l'onglet ou du biseau
4	45°
5	36°
6	30°
7	25,7°
8	22,5°
9	20°
10	18°

Le tableau considère que tous les côtés sont de même longueur. Pour réaliser une forme qui n'apparaît pas dans le tableau, utilisez la formule suivante : 180° divisé par le nombre de côtés donne l'angle d'onglet (si le matériau est coupé verticalement) ou de biseau (s'il est coupé à plat).

Découpe à onglet combinée (Fig. R3)

Une découpe à onglet combinée est une découpe utilisant un angle d'onglet et un angle de biseau en même temps. C'est le type de coupe utilisé pour fabriquer des cadres ou des boîtes dont les côtés sont inclinés, comme illustré par la Figure R3.

Remarque : Si l'angle de coupe varie d'une coupe à l'autre, vérifiez que le bouton de verrouillage du biseau et la poignée de verrouillage de l'onglet sont bien serrées. Ces éléments doivent être resserrés après chaque réglage d'onglet ou de biseau. Le tableau à la fin de ce manuel (Tableau 1) vous aide à choisir les réglages d'onglet et de biseau appropriés pour des coupes à onglet combinées classiques. Pour utiliser le tableau, sélectionnez l'angle A souhaité (Fig. R3) pour votre projet et recherchez cet angle sur la courbe correspondante dans le tableau. A partir de ce point, suivez le tableau jusqu'au bout à la verticale pour trouver l'angle de biseau adapté et à l'horizontale pour trouver le bon angle d'onglet.

Réglez votre scie en fonction des angles prescrits et effectuez quelques coupes d'essai. Entraînez-vous à ajuster les pièces découpées jusqu'à ce que vous soyez familiarisé avec cette procédure et que vous la maîtrisiez.

Exemple : Pour fabriquer une boîte à quatre côtés avec des angles extérieurs à 26° (Angle A, Fig. R3), utilisez la courbe supérieure de droite. Trouvez la valeur 26° sur la courbe. Suivez la ligne horizontale d'intersection d'un côté ou de l'autre pour obtenir le réglage de l'angle d'onglet pour votre scie (42°). Suivez de même la ligne verticale d'intersection vers le bas ou vers le haut pour obtenir le réglage du biseau pour la scie (18°). Testez toujours les coupes sur des chutes de bois afin de vérifier les réglages de la scie.

Découpe de moulures d'embase (Fig. S)

Coupes droites à 90° :

Placez le bois contre la garde et maintenez-le en place comme illustré par la figure S. Allumez la scie, laissez la lame atteindre sa pleine vitesse et abaissez le bras sans à-coups à travers la pièce.

Découpe de moulures d'embase jusqu'à 3,5" (90 mm) de haut à la verticale contre la garde

Placez la pièce comme illustré par la figure S. Toutes les découpes doivent être réalisées l'arrière de la moulure placée contre la garde et le bas de la moulure contre le plateau.

	Coin intérieur	Coin extérieur
Côté gauche	Onglet gauche 45° Côté gauche de la coupe conservé	Onglet droit 45° Côté gauche de la coupe conservé
Côté droit	Onglet droit 45° Côté droit de la coupe conservé	Onglet gauche 45° Côté droit de la coupe conservé

Les pièces jusqu'à 3,5" (90 mm) peuvent être coupées comme indiqué ci-dessus.

Découpe de moulures en couronne

Afin de s'adapter correctement, les moulures en couronne doivent être découpées à l'onglet de façon combinée et avec une précision extrême.

Les deux surfaces plates d'une pièce de moulure en couronne sont à des angles qui, en les additionnant, créent un angle exact à 90°. La plupart, mais pas toutes les moulures en couronne disposent d'un angle arrière supérieur (la section qui repose à plat contre le plafond) de 52° et un angle arrière inférieur (la partie qui repose à plat contre le mur) de 38°.

Votre scie à onglet comporte des crans de réglage d'onglet prédéfinis à 31,6° à gauche et à droite afin de découper des moulures en couronne au bon angle. Un repère est également présent à 33,8° sur l'échelle de graduation du biseau.

Le réglage/type de biseau du tableau Découpe indique les bons réglages pour la découpe de moulures à couronne. (Les chiffres de réglage pour l'onglet et le biseau sont très précis et ne sont pas facilement paramétrables sur votre scie.) Les angles de la plupart des pièces n'étant pas exactement à 90°, il est de toute façon nécessaire d'affiner vos réglages.

Instructions pour la découpe de moulures à couronne reposant à plat en utilisant les fonctions combinées

- ◆ Posez la moulure, large surface arrière à plat sur le plateau de la scie (36) (Fig. T1).
- ◆ Les réglages ci-dessous concernent des moulures à couronne courantes à angles de 52° et 38°.

Réglage du biseau	Type de coupe
33,8°	CÔTÉ GAUCHE, COIN INTÉRIEUR : 1. Haut de la moulure contre la garde 2. Réglage onglet droit 31,62° 3. Extrémité gauche de la coupe conservée
33,8°	CÔTÉ DROIT, COIN INTÉRIEUR : 1. Bas de la moulure contre la garde 2. Réglage onglet gauche 31,62° 3. Extrémité gauche de la coupe conservée
33,8°	CÔTÉ GAUCHE, COIN EXTÉRIEUR : 1. Bas de la moulure contre la garde 2. Réglage onglet gauche 31,62° 3. Extrémité droite de la coupe conservée
33,8°	CÔTÉ DROIT, COIN EXTÉRIEUR : 1. Haut de la moulure contre la garde 2. Réglage onglet droit 31,62° 3. Extrémité droite de la coupe conservée

Remarque : Lors du réglage des angles de biseau et d'onglet pour les coupes combinées, n'oubliez pas que les angles visibles des moulures en couronne sont très précis et difficiles à régler avec précision. Du fait qu'ils peuvent facilement se décaler légèrement et que très peu de pièces disposent d'angles à 90° très précis, tous les réglages doivent être testés sur des chutes.

Méthode alternative pour découper des moulures à couronne

Placez la moulure inclinée entre la garde (11) et le plateau de la scie (36), côté supérieur de la moulure sur le plateau et côté inférieur de la moulure sur la garde, comme illustré par la figure T1.

L'avantage à procéder ainsi pour la découpe de moulures à couronne est qu'une coupe en biseau n'est pas nécessaire. Des modifications de dernières minutes peuvent être apportées à l'angle d'onglet sans affecter l'angle de biseau. De cette manière, si les coins sont à un autre angle que 90°, il est possible d'ajuster rapidement et facilement la scie en conséquence.

Instructions pour la découpe de moulures en couronne inclinées entre la garde et la base de la scie pour toutes les coupes

Cette scie peut découper des moulures en couronne emboîtées jusqu'à 9/16" (14 mm) x 3-5/8" (92 mm).

- ◆ Orientez la moulure de sorte que le bas de cette dernière (la partie apposée contre le mur une fois installée) se trouve contre la garde (11) et que le haut de cette dernière repose sur le plateau de la scie (36), comme illustré par la figure T2.
- ◆ Les "plats" courbes à l'arrière de la moulure doivent reposer à l'équerre sur la garde et le plateau de la scie (36).

	Coin intérieur	Coin extérieur
Côté gauche	Onglet droit à 45° Côté droit de la coupe conservé	Onglet gauche à 45° Côté droit de la coupe conservé
Côté droit	Onglet gauche à 45° Côté gauche de la coupe conservé	Onglet droit à 45° Côté gauche de la coupe conservé

Coupes spéciales

N'effectuez jamais aucune découpe si la pièce n'est pas maintenue en place sur le plateau et contre la garde.

Pièces voilées (Fig. U1, U2)

Pour scier des pièces voilées/courbes, positionnez-les toujours comme illustré par la figure U1 et jamais comme illustré par la figure U2. Si vous ne positionnez pas la pièce à scier correctement, vous créez le risque de coincer la lame en fin de coupe.

Découpe de pièces rondes

Les pièces rondes doivent être fixées ou sanglées contre la garde pour les empêcher de rouler. Cela est extrêmement important pour les coupes à angle.

Découpes de grandes pièces (Fig. V)

De temps à autre, vous serez confronté à une pièce de bois légèrement trop grande pour passer sous le carter de protection inférieur. Pour dégager le carter de protection au-dessus du bois, scie éteinte et avec votre main droite sur la poignée de manœuvre, placez votre pouce droit à l'extérieur de la partie supérieure du carter et faites rouler le carter vers le haut juste suffisamment pour libérer le bois, comme illustré par la figure V. Relâchez le carter de protection avant de démarrer le moteur. Le mécanisme du carter pourra alors correctement fonctionner pendant la coupe. Ne procédez ainsi qu'en cas d'absolue nécessité.

N'ATTACHEZ, NE SCOTCHEZ ET NE RETENEZ JAMAIS LE CARTER DE PROTECTION EN POSITION OUVERTE LORSQUE VOUS UTILISEZ LA SCIE.

Maintenance

Avertissement ! Afin de réduire tout risque de blessures graves, arrêtez l'outil et retirez le bloc-batterie avant de transporter la scie, d'effectuer des réglages ou de retirer/installer tout équipement ou accessoire. Tout démarrage accidentel peut provoquer des blessures.

Avertissement ! Afin de réduire le risque de blessure graves, NE TOUCHEZ PAS les zones tranchantes de la lame avec vos doigts ou vos mains pendant les opérations de maintenance. N'UTILISEZ PAS de lubrifiants ou de produits de nettoyage (notamment en spray) à proximité du carter de protection en plastique. Le polycarbonate utilisé pour le carter de protection peut être attaqué par certains produits chimiques.

- ◆ Tous les roulements sont étanches. Ils sont lubrifiés à vie et ne nécessitent aucune maintenance.
- ◆ Nettoyez régulièrement la poussière et les copeaux de bois autour ET SOUS le plateau et le plateau tournant. Même si des fentes servent à laisser passer les débris, la poussière peut s'accumuler.
- ◆ Les balais sont conçus pour permettre plusieurs années d'utilisation. S'ils devaient être remplacés, retournez l'outil dans le centre d'assistance le plus proche.

Dépannage

Problème	Cause possible	Solution
La scie ne démarre pas.	La batterie n'est pas installée.	Installez la batterie. Consultez la section Installer et retirer le bloc-batterie.
	La batterie n'est pas chargée.	Rechargez la batterie. Consultez la procédure de charge.
	Balais usés	Faites remplacer les balais dans un centre d'assistance agréé.
Les coupes faites par la scie ne sont pas satisfaisantes.	Lame émoussée.	Remplacez la lame. Consultez la section Remplacer la lame de scie ou installer une lame de scie neuve.
	Lame montée à l'envers.	Retournez la lame. Consultez la section Remplacer la lame de scie ou installer une lame de scie neuve.
	Gomme ou sciure de bois durcie sur la lame.	Retirez la lame et nettoyez-la avec de la laine d'acier et de la térébenthine ou un nettoyant pour four domestique.
	Lame mal adaptée au travail à réaliser.	Changez de type de lame.
L'éclairage de travail clignote.	La batterie n'est pas chargée	Rechargez la batterie. Consultez la procédure de charge.
La machine vibre excessivement.	La scie n'est pas fixée correctement sur son support ou l'établi.	Serrez tous les éléments de fixation. Consultez la section Installation sur un établi
	Support ou établi sur une surface irrégulière.	Repositionnez sur une surface de niveau.
	Lame de scie endommagée.	Remplacez la lame. Consultez la section Remplacer la lame de scie ou installer une lame de scie neuve.


Problème	Cause possible	Solution
Les découpes à l'onglet ne sont pas précises.	L'échelle graduée de l'onglet n'est pas correctement réglée.	Contrôlez et réglez. Consultez la section Régler l'échelle de graduation de l'onglet dans Réglages.
	La lame n'est pas perpendiculaire à la garde.	Contrôlez et réglez. Consultez la section Régler l'échelle de graduation de l'onglet dans Réglages.
	La lame n'est pas perpendiculaire au plateau.	Contrôlez et réglez la garde. Consultez Régler le biseau perpendiculaire au plateau dans Réglages.
	L'ouvrage a bougé	Sanglez l'ouvrage fermement contre la garde ou collez du papier abrasif grain 120 sur la garde à l'aide de colle au caoutchouc.
	Plaquette de saignée usée ou endommagée.	Emmenez la scie dans un centre de réparation agréé.
La matière pince la lame.	Découpe de pièce voilée.	Consultez la section Pièce voilée dans Coupes spéciales.

Batterie		SFMCB201	SFMCB202	SFMCB204	SFMCB206
Tension	V _{CC}	18	18	18	18
Capacité	Ah	1,5	2,0	4,0	6,0
Type		Li-Ion	Li-Ion	Li-Ion	Li-Ion

Chargeur		SFMCB11	SFMCB12	SFMCB14
Tension d'entrée	V _{CA}	230	230	230
Tension de sortie	V _{CC}	18	18	18
Courant	A	1,25	2	4

Niveau de pression sonore selon la norme EN 62841 :	
L _{PA} (pression sonore) 83,0 dB(A), Incertitude (K) 3 dB(A)	
L _{WA} (puissance sonore) 94,5 dB(A), Incertitude (K) 3 dB(A)	

Protection de l'environnement

 Tri sélectif. Les produits et piles/batteries marqués de ce symbole ne doivent pas être jetés avec les déchets ménagers.

Les produits et les piles/batteries contiennent des matières qui peuvent être récupérées et recyclées afin de réduire la demande en matières premières. Veuillez à recycler les produits électriques et les batteries/piles conformément aux prescriptions locales en vigueur. Pour plus d'informations, consultez le site www.2helpU.com

Caractéristiques techniques

SFMC5701 (H1)			
Tension	V		18
nominale	/min		3 800
Diamètre extérieur de la lame	mm		190
Diamètre de l'alésage	mm		16
Trait de scie maxi	mm		1,8
Poids sans batterie	kg		10
Épaisseur de la lame	mm		1,0
Onglet (positions maxi)	°		47
Biseau (positions maxi)	°		47
0° onglet	horizontal	mm	50 x 216
	vertical	mm	90 x 15
45° onglet à droite	horizontal	mm	50 x 152
	vertical	mm	90 x 15
45° onglet à gauche	horizontal	mm	50 x 152
	vertical	mm	90 x 15
45° biseau à gauche	horizontal	mm	50 x 152
	vertical	mm	50 x 15

Déclaration de conformité CE

DIRECTIVES MACHINES



SFMC5701 Scie à onglet combinée coulissante

Stanley Europe déclare que les produits décrits dans les "Caractéristiques techniques" sont conformes aux normes : EN62841-1:2015, EN62841-3-9:2015+A11:2017

Ces produits sont également conformes aux Directives 2006/42/CE, 2014/30/UE et 2011/65/UE.

Pour obtenir plus de précisions, veuillez contacter STANLEY FATMAX à l'adresse suivante ou vous reporter au dos du manuel.

Le soussigné est responsable de la compilation du dossier technique et fait cette déclaration au nom de STANLEY FATMAX.

Ed Higgins
 Directeur – Outils électriques grand public
 Stanley Europe, Egide Walschaertsstraat14-18,
 2800 Mechelen, Belgique
 08/05/2020

Garantie

Stanley Fat Max est sûr de la qualité de ses produits et offre une garantie de 12 mois à ses clients, à partir de la date d'achat. Cette garantie s'ajoute à vos droits légaux auxquels elle ne porte aucunement préjudice. Cette garantie est valable au sein des territoires des États membres de l'Union Européenne et au sein de la Zone européenne de libre-échange.

Pour prétendre à la garantie, la réclamation doit être conforme aux conditions générales de STANLEY FATMAX et vous devez fournir une preuve d'achat au vendeur ou au réparateur agréé. Les conditions générales de la garantie de 1 an de Stanley Europe ainsi que l'adresse du réparateur agréé le plus proche sont disponibles sur le site Internet www.2helpU.com ou en contactant votre agence Stanley Europe locale à l'adresse indiquée dans ce manuel.

Veillez consulter notre site Internet www.stanley.eu/3 pour enregistrer votre nouveau produit STANLEY FATMAX et pour être tenu informé des nouveaux produits et offres spéciales.

Uso previsto

La troncatrice radiale scorrevole STANLEY FATMAX SFCMS701 è stata progettata per segare solo legno, plastica e metalli non ferrosi. Questo elettrotensile è stato progettato per uso professionale e privato e per utilizzatori non professionisti.

Istruzioni di sicurezza

Avvertenze di sicurezza generali per gli elettrotensili



Avvertenza! Leggere attentamente tutte le avvertenze, istruzioni, illustrazioni e specifiche fornite con l'apparato. La mancata osservanza delle avvertenze e istruzioni seguenti potrebbe causare scossa elettrica, incendi e/o gravi lesioni personali.

Conservare tutte le avvertenze e le istruzioni per riferimenti futuri. Il termine "apparecchio elettrico" utilizzato nelle avvertenze fa riferimento sia agli apparecchi alimentati a corrente (con cavo elettrico), sia a quelli a batteria (senza cavo).

1. Sicurezza dell'area di lavoro

- Mantenere pulita e bene illuminata l'area di lavoro.** Gli ambienti disordinati o scarsamente illuminati favoriscono gli incidenti.
- Evitare di usare gli elettrotensili in ambienti esposti a rischio di esplosione, ad esempio in presenza di liquidi, gas o polveri infiammabili.**

Gli apparecchi elettrici generano scintille che possono incendiare le polveri o i fumi.

- Tenere lontani bambini e astanti mentre si usa un elettrotensile.** Eventuali distrazioni possono provocare la perdita di controllo dell'apparecchio.
- Sicurezza elettrica**
 - Le spine elettriche degli elettrotensili devono essere adatte alla presa. Non modificare la spina in alcun modo. Non utilizzare spine con adattatore con gli elettrotensili dotati di messa a terra.** Per ridurre il rischio di scossa elettrica evitare di modificare le spine e utilizzare sempre le prese appropriate.
 - Evitare il contatto fisico con superfici collegate a terra, tipo tubi, radiatori, forni e frigoriferi.** Se il corpo dell'utilizzatore è collegato a terra, il rischio di scossa elettrica aumenta.
 - Custodire gli elettrotensili al riparo dalla pioggia o dall'umidità.** Se dovesse penetrare dell'acqua all'interno dell'apparecchio, il rischio di scossa elettrica aumenta.
 - Non utilizzare il cavo in modo improprio. Non spostare, tirare o scollegare mai l'apparecchio dalla presa di corrente tirandolo dal cavo. Tenere il cavo di alimentazione lontano da fonti di calore, olio, bordi taglienti o parti in movimento.** Se il cavo è danneggiato o impigliato, il rischio di scossa elettrica aumenta.
 - Se l'elettrotensile viene adoperato all'aperto, usare esclusivamente prolunghe omologate per l'impiego all'esterno.** L'uso di un cavo di alimentazione adatto per esterni riduce il rischio di scossa elettrica.
 - Se non è possibile evitare di lavorare in una zona umida, usare un'alimentazione elettrica protetta da un dispositivo a corrente residua (RCD).** L'uso di un RCD salvavita riduce il rischio di scossa elettrica.
 - Sicurezza personale**
 - È importante concentrarsi su ciò che si sta facendo e maneggiare con giudizio l'elettrotensile. Non utilizzare l'apparecchio elettrico quando si è stanchi o sotto l'effetto di sostanze stupefacenti, alcool o medicinali.** Un solo attimo di distrazione durante l'uso di tale apparecchio potrebbe provocare gravi lesioni personali.
 - Usare l'equipaggiamento di protezione personale. Indossare sempre occhiali di protezione.** L'uso di dispositivi di protezione, quali mascherine antipolvere, scarpe antinfortunistiche antiscivolo, caschi di sicurezza o protezioni uditive, in condizioni opportune consente di ridurre le lesioni personali.
 - Impedire l'avviamento involontario. Accertarsi che l'interruttore sia nella posizione di spegnimento, prima di collegare l'elettrotensile alla rete elettrica e/o alla batteria, di prenderlo in mano o di trasportarlo.**

Per non esporsi al rischio di incidenti, non trasportare l'apparecchio elettrico tenendo le dita sull'interruttore e non collegarlo a una fonte di alimentazione elettrica con l'interruttore e in posizione di accensione.

- d. **Prima di accendere un elettrodomestico, togliere eventuali utensili o chiavi di regolazione.** Un utensile di regolazione o una chiave attaccati a una parte rotante dell'apparecchio possono provocare lesioni personali.
 - e. **Non sbilanciarsi. Mantenere sempre un appoggio e un equilibrio adeguati.** In tal modo è possibile mantenere un migliore controllo dell'apparecchio elettrico nelle situazioni impreviste.
 - f. **Vestirsi adeguatamente. Non indossare abiti larghi o gioielli. Tenere i capelli, i vestiti e i guanti lontano dalle parti mobili.** Abiti larghi, gioielli o capelli lunghi possono impigliarsi nelle parti in movimento.
 - g. **Se gli elettrodomestici sono provvisti di attacchi per il collegamento di dispositivi di aspirazione o di raccolta della polvere, assicurarsi che questi siano installati e utilizzati correttamente.** L'impiego di dispositivi per la raccolta delle polveri può ridurre i pericoli legati a queste ultime.
 - h. **Non lasciare che la familiarità acquisita dall'uso frequente degli elettrodomestici induca a cedere alla tentazione di ignorare i principi di utilizzo sicuro degli stessi.** Un'azione imprudente potrebbe provocare lesioni gravi in una frazione di secondo.
- 4. Uso e cura degli apparecchi elettrici**
- a. **Non sovraccaricare l'elettrodomestico. Utilizzare l'apparecchio elettrico adatto per il lavoro da eseguire.** L'apparecchio corretto funziona meglio e in modo più sicuro se utilizzato alla velocità per cui è stato progettato.
 - b. **Non utilizzare elettrodomestici con interruttori difettosi.** Qualsiasi apparecchio elettrico che non possa essere controllato tramite l'interruttore è pericoloso e deve essere riparato.
 - c. **Scollegare la spina dalla presa di corrente e/o il battery pack dall'elettrodomestico prima di regolarlo, sostituirne gli accessori o di riporlo.** Queste misure di sicurezza preventive riducono il rischio di azionare l'apparato accidentalmente.
 - d. **Quando non vengono usati, gli elettrodomestici devono essere custoditi fuori dalla portata dei bambini. Non consentire l'uso dell'elettrodomestico a persone inesperte o che non abbiano letto le presenti istruzioni.** Gli apparecchi elettrici sono pericolosi in mano a persone inesperte.
 - e. **Mantenere gli elettrodomestici e gli accessori. Verificare che le parti mobili siano correttamente allineate e non inceppate, che non vi siano componenti rotti e che non sussistano altre condizioni che possono compromettere il funzionamento dell'apparecchio.**

Se l'apparecchio è danneggiato, farlo riparare prima dell'uso. Molti incidenti sono provocati da apparecchi elettrici non sottoposti a una corretta manutenzione.

- f. **Mantenere affilati e puliti gli strumenti da taglio.** La manutenzione corretta degli utensili da taglio con bordi affilati riduce le probabilità di inceppamento e ne facilita il controllo.
 - g. **Utilizzare l'elettrodomestico, gli accessori e le punte in conformità alle presenti istruzioni, tenendo conto delle condizioni di lavoro e del lavoro da completare.** L'utilizzo dell'apparecchio per impieghi diversi da quelli previsti può provocare situazioni di pericolo.
 - h. **Mantenere le impugnature e le superfici di presa asciutte, pulite e senza tracce di olio o grasso.** Impugnature e superfici di presa unte non consentono di maneggiare e controllare in modo sicuro l'elettrodomestico nel caso di imprevisti.
- 5. Uso e cura degli apparecchi elettrici a batteria**
- a. **Ricaricare solo usando l'alimentatore prescritto dal fabbricante.** Una caricabatterie adatto per un solo tipo di batteria può comportare il rischio d'incendio se usato con una batteria diversa.
 - b. **Usare gli elettrodomestici con gli appositi battery pack.** L'impiego di pacchi batteria di tipo diverso potrebbe comportare il rischio di lesioni personali e di incendio.
 - c. **Quando il battery pack non viene usato, tenerlo lontano da altri oggetti metallici tipo graffette, monete, chiavi, chiodi, viti o altri oggetti metallici di piccole dimensioni, che potrebbero cortocircuitare un morsetto con l'altro.** Se i terminali della batteria vengono cortocircuitati si potrebbero causare ustioni o un incendio.
 - d. **In condizioni di sovraccarico, le batterie possono perdere liquido: evitare di toccarlo. In caso di contatto accidentale, sciacquare con abbondante acqua. Se il liquido entra a contatto con gli occhi, rivolgersi anche a un medico.** Il liquido che fuoriesce dalla batteria può causare irritazioni o ustioni.
 - e. **Non utilizzare un pacco batteria o un utensile danneggiati o modificati.** Le batterie danneggiate o modificate potrebbero manifestare un comportamento imprevedibile con la possibilità di causare un'esplosione o un incendio.
 - f. **Non esporre un pacco batteria o un utensile al fuoco o a temperature elevate.** L'esposizione al fuoco o a una temperatura superiore a 130 °C potrebbe provocare un'esplosione.
 - g. **Seguire tutte le istruzioni per la carica e non caricare il pacco batteria o l'elettrodomestico a una temperatura che non rientri nell'intervallo di valori specificato nelle istruzioni.**

Una carica effettuata in maniera scorretta o a una temperatura che non rientra nell'intervallo di valori specificato potrebbe danneggiare la batteria aumentando il rischio d'incendio.

6. Assistenza

- a. **Fare riparare l'elettrotensile esclusivamente da personale specializzato e solo usando pezzi di ricambio originali.** In questo modo viene garantita la sicurezza dell'apparecchio.
- b. **Non riparare i pacchi batteria danneggiati.** Gli interventi di riparazione sui pacchi batteria devono essere eseguiti dal costruttore o da fornitori di assistenza autorizzati.

Istruzioni di sicurezza per le troncatrici radiali

- ◆ **Le troncatrici radiali sono destinate al taglio di legno o prodotti simili e non possono essere usate con dischi da taglio abrasivi per tagliare materiale ferroso, come barre, aste, perni, ecc.** La polvere abrasiva provoca l'inceppamento delle parti in movimento, come la protezione inferiore. Le scintille prodotte dal taglio abrasivo bruciano la protezione inferiore, l'inserto della lama e le altre parti in plastica.
- ◆ **Utilizzare dei morsetti per sostenere il pezzo da lavorare. Se il pezzo viene sostenuto con la mano, mantenerla sempre a una distanza di almeno 100 mm da entrambi i lati della lama. Non utilizzare questa troncatrice per tagliare pezzi troppo piccoli per essere bloccati con i morsetti o sostenuti con le mani.** Se la mano è posizionata troppo vicino alla lama, il rischio di ferirsi è maggiore a causa del contatto con la stessa.
- ◆ **Il pezzo da lavorare deve essere fermo e fissato con i morsetti o mantenuto contro il guidapezzo e il banco. Non inserire il pezzo direttamente sotto la lama né eseguire tagli "a mano libera" in alcun modo.** I pezzi da lavorare incontrollati e mobili potrebbero essere lanciati ad alta velocità, causando possibili lesioni.
- ◆ **Spingere la troncatrice attraverso il pezzo da lavorare. Non tirarla. Per eseguire un taglio, sollevare la testa della troncatrice e posizionarla sopra al pezzo da lavorare senza tagliarlo, avviare il motore, abbassare la testa della troncatrice e spingerla attraverso il pezzo.** Se il taglio viene eseguito tirando la troncatrice, la lama potrebbe saltare sulla parte superiore del pezzo da lavorare, scagliando violentemente il gruppo della lama verso l'operatore.
- ◆ **Non incrociare mai le mani sulla linea di taglio prevista, né davanti né dietro la lama.** Sostenere il pezzo da lavorare a mani incrociate, ovvero tenere il pezzo sulla destra della lama con la mano sinistra (e viceversa) è estremamente pericoloso.
- ◆ **Non mettere le mani dietro il guidapezzo avvicinandosi a più di 100 mm da uno dei due lati della lama, per rimuovere resti di legno o per qualsiasi altro motivo, mentre la lama sta girando.** La vicinanza della lama in rotazione alla mano potrebbe non essere evidente e potrebbero verificarsi lesioni gravi.
- ◆ **Ispezionare il pezzo da lavorare prima di tagliarlo. Nel caso in cui il pezzo da lavorare sia piegato o deformato, fissarlo con i morsetti con la parte esterna del lato piegato rivolta verso il guidapezzo. Accertarsi sempre che non vi siano spazi vuoti tra il pezzo da lavorare, il guidapezzo e il banco lungo la linea di taglio.** I pezzi da lavorare piegati o deformati possono distorcersi o spostarsi, provocando un inceppamento della lama in rotazione durante il taglio. Nel pezzo da lavorare non devono essere presenti chiodi o corpi estranei.
- ◆ **Non utilizzare la troncatrice fino a quando il banco non è sgombrato da utensili, resti di legno, ecc., ad eccezione del pezzo da lavorare.** Nel caso in cui piccoli detriti, pezzi di legno sciolti o altri oggetti entrino in contatto con la lama in movimento potrebbero essere lanciati ad alta velocità.
- ◆ **Tagliare solo un pezzo alla volta.** Più pezzi impilati non possono essere adeguatamente fissati con un morsetto né sostenuti, con il rischio di rimanendo incastrati alla lama o di spostarsi durante il taglio.
- ◆ **Prima dell'uso, assicurarsi che la troncatrice radiale sia installata o posizionata su una superficie di lavoro piana e solida.** Una superficie di lavoro piana e solida riduce il rischio che la troncatrice diventi instabile.
- ◆ **Pianificare il lavoro da eseguire. Ogni volta che si modifica l'impostazione dell'angolo di taglio obliquo o di taglio smussato, assicurarsi che il guidapezzo regolabile sia regolato correttamente per sostenere il pezzo da lavorare, senza interferire con il movimento della lama o con il sistema di protezione.** Senza avviare l'utensile e senza nessun pezzo da lavorare sul banco, fare compiere alla lama della troncatrice un giro completo, simulando il taglio, per accertarsi che non vi sia alcuna interferenza e che non sussista il pericolo di tagliare il guidapezzo.
- ◆ **Nel caso in cui il pezzo da lavorare sia più lungo o più largo della superficie del banco della troncatrice, predisporre una superficie di appoggio adeguata, come una prolunga del banco, un cavalletto, ecc.** I pezzi da lavorare più lunghi o più larghi della superficie del banco della troncatrice radiale non sostenuti in modo sicuro possono rovesciarsi. Se un pezzo tagliato o il pezzo da lavorare si rovescia, potrebbe sollevare la protezione inferiore oppure essere scagliato via dalla lama in rotazione.



Avvertenza! Il contatto o l'inhalazione della polvere generata dalla segatura potrebbe nuocere alla salute dell'operatore e di eventuali astanti. Indossare una mascherina antipolvere specifica per polveri e fumi e controllare che anche le persone presenti o in arrivo nell'area di lavoro siano adeguatamente protette.

- ◆ **Non utilizzare un'altra persona al posto di una prolunga del banco o come sostegno aggiuntivo.**
Un sostegno instabile per il pezzo da lavorare può provocare l'inceppamento della lama sul pezzo oppure il pezzo potrebbe spostarsi durante l'operazione di taglio, trascinando l'operatore o l'assistente contro la lama in rotazione.
- ◆ **Non bloccare né premere in alcun modo il pezzo tagliato contro la lama in rotazione.** Se confinato, per esempio tramite l'uso dei fincorsa di lunghezza, il pezzo tagliato potrebbe incunearsi contro la lama ed essere scagliato via violentemente.
- ◆ **Utilizzare sempre un morsetto o un altro dispositivo di bloccaggio per offrire un supporto stabile alle parti cilindriche, come barre e tubi.** Poiché le barre tendono a rotolare durante il taglio, la lama potrebbe "addentarle" trascinandole verso di sé, insieme alla mano dell'operatore.
- ◆ **Lasciare che la lama raggiunga la piena velocità prima di appoggiarla sul pezzo da lavorare.** In questo modo si ridurrà il rischio che il pezzo sia scagliato via.
- ◆ **In caso di inceppamento del pezzo in lavorazione o della lama, spegnere la troncatrice radiale. Attendere l'arresto di tutte le parti in movimento e scollegare la spina dalla presa di corrente e/o rimuovere il pacco batteria. A questo punto liberare il materiale inceppato.** Proseguire con il taglio con un pezzo inceppato potrebbe causare la perdita di controllo o il danneggiamento della troncatrice.
- ◆ **Dopo il completamento dell'operazione di taglio, rilasciare l'interruttore, mantenere abbassata la testa della troncatrice e attendere che la lama si arresti prima di rimuovere il pezzo tagliato.** Avvicinarsi con la mano alla lama in movimento è pericoloso.

Regole di sicurezza aggiuntive per troncatrici radiali

- ◆ L'uso previsto è descritto in questo manuale di istruzioni. L'impiego dell'elettrotensile con accessori o dotazioni per scopi diversi da quelli raccomandati in questo manuale di istruzioni, potrebbe comportare il rischio che si verifichino lesioni alle persone e/o danni materiali.
- ◆ Non usare lame incrinates/piegate/danneggiate/deformate.
- ◆ Sostituire la tavola da taglio ove usurata.
- ◆ Non utilizzare lame di diametro maggiore o minore di quello consigliato. Fare riferimento ai dati tecnici per le corrette capacità di taglio. Utilizzare soltanto le lame specificate in questo manuale, conformi alla norma EN 847-1.
- ◆ Non usare lame in acciaio superapido (HSS).
- ◆ Non lavorare con materiali contenenti amianto. L'amianto è considerato essere cancerogeno.
- ◆ Indossare guanti quando si maneggiano lame e materiali ruvidi (le lame dovrebbero essere trasportate in un porta lame se del tutto possibile).
- ◆ Indossare protezioni alle orecchie per ridurre il rischio di perdita indotta dell'udito.
- ◆ Valutare la possibilità di usare le lame silenziate appositamente progettate.
- ◆ Indossare protezioni oculari per ridurre il rischio di lesioni personali.
- ◆ Usare il sacchetto di raccolta della polvere fornito quando si sega il legno.
- ◆ **Sostenere l'apparato con supporti aventi superfici isolanti quando si eseguono lavorazioni in cui la parte tagliente potrebbe toccare cavi elettrici nascosti o il cavo di alimentazione dell'accessorio di taglio.** Il contatto tra l'accessorio di taglio e un filo sotto tensione mette sotto tensione le parti metalliche esposte dell'elettrotensile e potrebbe esporre l'operatore a scosse elettriche.
- ◆ Selezionare la lama corretta per il materiale da tagliare.
- ◆ Non usare la macchina senza aver montato la protezione. Non far funzionare la macchina se la protezione non funziona e se non è stata sottoposta a regolare manutenzione.
- ◆ Prima di effettuare tagli inclinati, accertarsi che il braccio sia saldamente fissato.
- ◆ Prima di eseguire un taglio, assicurarsi che la macchina sia stabile.
- ◆ Mantenere le maniglie asciutte, pulite e prive di olio o grasso.
- ◆ Mantenere la zona circostante la macchina pulita e priva di materiali sciolti tipo trucioli o materiali di scarto.
- ◆ Accertarsi che la macchina e la zona di lavoro abbiano un'adeguata illuminazione sia generale, sia locale.
- ◆ Non permettere a personale non qualificato di far funzionare questa macchina.
- ◆ Verificare che la lama sia stata montata correttamente prima dell'impiego. Verificare che la lama ruoti nella direzione corretta. Mantenere la lama affilata. Seguire le istruzioni relative alla lubrificazione e alla sostituzione degli accessori.
- ◆ Assicurarsi che la velocità contrassegnata sulla lama sia almeno pari alla velocità indicata sulla lama.

- ◆ Assicurarsi che qualsiasi distanziatori o fusi ad anello siano adatti allo scopo dichiarato da STANLEY FATMAX.
- ◆ Le riparazioni al sistema di guida della linea di taglio devono essere eseguite esclusivamente da tecnici autorizzati o dall'assistenza STANLEY FATMAX.
- ◆ Prima di eseguire operazioni di manutenzione o di sostituire la lama, scollegare sempre la macchina dalla fonte di alimentazione.
- ◆ Non eseguire mai interventi di pulitura, manutenzione e non asportare materiale di scarto o altre parti del pezzo dalla zona di taglio mentre la macchina è accesa e la testa della troncatrice non si trova nella posizione di riposo.
- ◆ Se possibile, montare sempre la macchina su un banco.
- ◆ Verificare che tutti i pomelli di bloccaggio e le maniglie siano ben saldi prima di iniziare qualsiasi operazione di taglio.
- ◆ Non usare mai la troncatrice senza l'insero della tavola.
- ◆ Non cercare mai di arrestare in maniera rapida la macchina in moto, incastrando un utensile o qualsiasi altro oggetto contro la lama dato che facendolo si possono causare involontariamente incidenti gravi.
- ◆ Prima di usare o di montare un qualsiasi accessorio, consultare il manuale d'uso. L'uso non corretto di un accessorio può causare danni.
- ◆ Sollevare la lama dall'insero della tavola nel pezzo prima di rilasciare l'interruttore di accensione.
- ◆ Non incuneare oggetti contro il ventilatore per bloccare l'albero motore.
- ◆ La protezione della lama si solleva automaticamente quando il braccio viene abbassato e si abbassa sopra la lama quando il braccio viene sollevato. La protezione può essere sollevata manualmente durante l'installazione o rimozione delle lame o per l'ispezione della sega. Non sollevare mai manualmente la protezione se la macchina non è spenta.
- ◆ Controllare a intervalli regolari che le aperture di ventilazione del motore siano pulite e prive di schegge.
- ◆ Non rendere mai illeggibili gli avvisi di pericolo sull'elettrotensile.
- ◆ Non stare mai in piedi sull'elettrotensile. Si potrebbero causare o subire lesioni gravi se l'elettrotensile si capovolge oppure se si viene a contatto della lama.
- ◆ Non afferrare la lama dopo un periodo di funzionamento e prima che si sia raffreddata. La lama diventa molto calda quando è in funzione.
- ◆ Per evitare lesioni causate dal lancio di materiali, rimuovere la batteria dalla troncatrice per impedire l'avviamento accidentale e quindi eliminare tutti i materiali di piccole dimensioni.
- ◆ Prima dell'impiego e dopo ogni intervento di manutenzione, controllare la protezione della lama per accertarsi che funzioni in modo corretto.

Questo controllo deve essere eseguito con la troncatrice spenta e la batteria rimossa. Il braccio deve essere sollevato e abbassato per verificare che la protezione copra la lama e che la lama non venga a contatto della protezione. Se la protezione non funziona in modo corretto, far riparare l'elettrotensile da un tecnico specializzato. Telefonare al centro assistenza STANLEY FATMAX per ottenere l'indirizzo del tecnico autorizzato più vicino.

- ◆ **Questa troncatrice radiale è stata progettata per segare solo legno, plastica e metalli non ferrosi.** Non utilizzare la troncatrice per tagliare materiali diversi da quelli indicati dal produttore.
- ◆ Non afferrare la lama dopo un periodo di funzionamento e prima che si sia raffreddata. La lama diventa molto calda quando è in funzione.



Avvertenza! Il taglio di plastica, legno di linfa d'acero e altri materiali può causare l'accumulo del materiale sciolto sulle punte della lama e sul corpo della lama della sega, aumentando il rischio di surriscaldamento e inceppamento della lama durante il taglio.

Sicurezza altrui

- ◆ Questo caricabatterie può essere usato da bambini dagli 8 anni in su e da persone portatrici di handicap fisici, psichici o sensoriali o che non abbiano la dovuta esperienza o conoscenza, sempre che siano seguite o opportunamente istruite sull'uso sicuro e comprendano i pericoli inerenti.
- ◆ Non lasciare che i bambini giochino con l'apparecchio. Gli interventi di pulizia e manutenzione da parte dell'utilizzatore non devono essere eseguiti da bambini senza supervisione.

Rischi residui

I seguenti rischi sono inerenti all'uso delle seghe circolari: Malgrado il rispetto delle norme di sicurezza pertinenti e l'implementazione di dispositivi di sicurezza, alcuni rischi residui non possono essere evitati. Sono inclusi:

- ◆ lesioni personali causate dal contatto con parti rotanti/in movimento;
- ◆ menomazioni uditive;
- ◆ Rischio di incidenti causati dalle parti non coperte della lama rotante.
- ◆ Rischio di lesioni causate o subite durante la sostituzione di parti, lame o accessori.
- ◆ Rischio di schiacciamento delle dita nell'apertura delle protezioni.
- ◆ Pericoli per la salute causati dall'inalazione della polvere generata dal taglio del legno, in modo particolare quello di quercia e di faggio, e dell'MDF.

- ◆ lesioni personali causate dall'impiego prolungato di un apparecchio/utensile (quando si utilizza qualsiasi apparecchio/utensile per periodi prolungati, assicurarsi di fare pause regolari);

Rumorosità

Il valore dichiarato delle emissioni di rumore è stato misurato in base al metodo di test standard e può essere usato come paragone tra un attrezzo e un altro.

Il valore di emissione di rumore dichiarato può anche essere usato per una valutazione preliminare dell'esposizione.

Avvertenza! Il livello di emissione di rumore durante l'uso effettivo dell'elettrodotensile può differire dal valore dichiarato, a seconda delle modalità di utilizzo dell'elettrodotensile e specialmente del tipo di pezzo lavorato.

Avvertenza! indossare sempre protezioni adeguate per l'udito. In determinate condizioni di utilizzo prolungato, il rumore proveniente da questo prodotto potrebbe contribuire alla perdita dell'udito. Tenere in considerazione i seguenti fattori che influiscono sull'esposizione al rumore:

- ◆ utilizzare lame progettate per ridurre le emissioni acustiche;
- ◆ utilizzare solo lame ben affilate e
- ◆ utilizzare lame specificamente progettate per ridurre il rumore.

Etichette sull'apparecchio

Sull'elettrodotensile compaiono i seguenti pittogrammi insieme al codice data:



Avvertenza! Per ridurre il rischio di lesioni personali l'utilizzatore deve leggere il manuale di istruzioni.



Indossare occhiali di sicurezza



Utilizzare protezioni acustiche



Indossare una maschera anti-polvere



Il presente prodotto non deve essere usato da bambini di età inferiore ai 16 anni



Tenere le mani lontane dalla lama



Attenzione alle mani - Tenere dita e braccia lontane dalle lame



Indossare guanti quando si maneggiano le lame



Non fissare la luce di funzionamento

Istruzioni di sicurezza aggiuntive per batterie e caricabatterie

Avvertenza! Questo elettrodomestico deve essere utilizzato solo con l'alimentatore fornito.

Nota: L'intervallo di temperatura di funzionamento dell'utensile consigliata è tra 4 °C e 40 °C.

Batterie

- ◆ Non tentare mai di aprire le batterie per alcun motivo.
- ◆ Non lasciare che le batterie si bagnino.
- ◆ Non riporre le batterie in luoghi in cui la temperatura potrebbe superare 40 °C.
- ◆ Caricare solo a temperature ambientali comprese tra 10 e 40 °C.
- ◆ Caricare le batterie solo con il caricabatterie fornito con l'elettrodotensile.
- ◆ Al momento di smaltire le batterie, seguire le istruzioni riportate nella sezione "Tutela ambientale".



Non tentare di caricare batterie danneggiate.

Caricabatterie

- ◆ Usare il caricabatterie Stanley FatMax solo per caricare la batteria dell'elettrodotensile con il quale è stato fornito. Batterie diverse potrebbero scoppiare, causando lesioni alle persone e danni materiali.
- ◆ **Non tentare mai di caricare batterie non ricaricabili.**
- ◆ **Fare sostituire immediatamente i cavi di alimentazione difettosi.**
- ◆ Non lasciare che il caricabatterie si bagni.
- ◆ Non aprire il caricabatterie.
- ◆ Non collegare il caricabatterie a sonde.



Il caricabatterie è destinato solo all'uso in ambienti chiusi.



Leggere il manuale d'istruzioni prima dell'uso.

Sicurezza elettrica



Il doppio isolamento di cui è provvisto il caricabatterie rende superfluo il filo di terra. Verificare sempre che la tensione di rete corrisponda alla tensione indicata sulla targhetta dei valori nominali. Non tentare mai di sostituire il caricabatterie con una normale spina di rete.

- ◆ In caso di danneggiamento del cavo di alimentazione, è necessario farlo riparare dal produttore o presso un Centro di assistenza STANLEY FATMAX autorizzato in modo da evitare pericoli.

Caratteristiche

Questo apparecchio elettrico include alcune delle seguenti caratteristiche.

1. Grilletto di azionamento
2. Impugnatura di azionamento
3. Fori di montaggio
4. Protezione inferiore
5. Pomello di bloccaggio per tagli a quartabuono
6. Pulsante del fermo per taglio inclinato
7. Piastra scanalata
8. Scala graduata per taglio obliquo
9. Indicatore scala graduata per taglio obliquo
10. Impugnature di trasporto
11. Guidapezzo
12. Manopola di bloccaggio per taglio obliquo
13. Guide
- 13a. Cinturino in velcro
14. Porta di aspirazione polveri
15. Pacco batteria
16. Interruttore della luce di lavoro
17. Levetta di sblocco
18. Vite di bloccaggio delle guide
19. Foro di montaggio del morsetto
20. Perno di bloccaggio

Assemblaggio (Fig. A)

La troncatrice radiale è parzialmente assemblata nell'imballaggio.

- ◆ Aprire la scatola e sollevare la troncatrice utilizzando le impugnature di trasporto (10) nella base della stessa (Fig. A).
- ◆ Posizionare la troncatrice su una superficie liscia e piana, come un banco di lavoro o un tavolo robusto.
- ◆ Esaminare il diagramma di assemblaggio a pagina 2 di questo manuale per acquisire familiarità con la troncatrice e le sue varie parti. Nella sezione riguardante le regolazioni si fa riferimento a questi termini e occorre conoscere cosa sono e dove si trovano i componenti.
- ◆ La manopola di bloccaggio della troncatrice (5) non è assemblata per la spedizione. Rimuovere la manopola di bloccaggio della troncatrice (5) dall'imballaggio e avvitarla sulla troncatrice, vedere la figura G e J per la posizione.
- ◆ La troncatrice presenta una porta di aspirazione polveri (14) integrata che consente di collegare il sacchetto raccogli-polvere in dotazione, ma non assemblato (35) o l'aspirapolvere di un'officina (Fig. N).

Piastra scanalata (Fig. J)

La piastra scanalata (7) è montata al banco con 6 viti. L'altezza della piastra scanalata (7) non è regolabile.

Nota: Se la piastra scanalata (7) è usurata, danneggiata o deve essere sostituita, le riparazioni devono essere eseguite da agenti di riparazione autorizzati o dal personale di assistenza STANLEY FATMAX.

Perno di bloccaggio (Fig. F)

Avvertenza! Il perno di bloccaggio deve essere utilizzato SOLAMENTE durante il trasporto o l'immagazzinaggio della troncatrice. Non utilizzare MAI il perno di bloccaggio per alcuna operazione di taglio.

Nota: Per sollevare, trasportare e sostenere la troncatrice radiale durante il trasporto, utilizzare le due impugnature di trasporto (10) situate su entrambi i lati della base della troncatrice (Fig. A).

Per bloccare la testa della troncatrice in posizione abbassata, spingere verso l'interno il perno di bloccaggio (20) e rilasciare la testa della troncatrice. Questo manterrà la testa della troncatrice abbassata e consentirà di trasportarla in modo sicuro. Per sbloccare il dispositivo, premere verso il basso la testa della troncatrice ed estrarre il perno di bloccaggio.

Avvertenza! Assicurarsi sempre che l'utensile sia spento e che la batteria sia rimossa dallo stesso prima di regolare o controllare il funzionamento degli utensili.

Carica di una batteria (fig. B)

La batteria deve essere caricata prima dell'impiego iniziale e quando non eroga una potenza sufficiente per svolgere lavori che prima era possibile eseguire facilmente. Durante la carica, la batteria potrebbe riscaldarsi. Si tratta di un fatto normale che non indica la presenza di un problema.

Avvertenza! Non caricare la batteria a temperature ambientali inferiori a 10 °C o superiori a 40 °C. La temperatura di carica consigliata è di circa 24 °C.

Nota: il caricabatterie non carica una batteria se la temperatura delle celle è inferiore a 10 °C o superiore a 40 °C.







La batteria deve essere lasciata nel caricabatterie, che comincerà a caricarla automaticamente quando la temperatura delle celle aumenta o diminuisce.

Nota: per garantire la massima prestazione e durata dei pacchi batteria agli ioni di litio, caricare completamente il pacco batteria prima di utilizzarlo per la prima volta.

- ◆ Collegare il caricabatterie (21) a una presa di corrente adatta prima di inserire il pacco batteria (15).
- ◆ La spia verde di carica in corso (21a) lampeggia continuamente, indicando che è iniziato il processo di carica.
- ◆ Il completamento della carica sarà indicato dalla spia verde di carica in corso (21a) che rimane accesa fissa. Il pacco batteria (15) è completamente carico e può essere utilizzato subito o lasciato nel caricabatterie (21).

- ◆ Caricare le batterie scariche entro 1 settimana. La durata delle batterie si riduce parecchio se sono conservate scariche.

Modalità LED del caricabatterie

	Carica in corso: LED verde intermittente	
	Carica completa: LED verde acceso fisso	
	Ritardo per pacco caldo/ freddo: LED verde intermittente LED rosso acceso fisso	

Nota: i caricabatterie compatibili non caricheranno un pacco batteria difettoso. Il caricabatterie non si illuminerà indicando che un pacco batteria è difettoso.

Nota: questo motivo potrebbe anche indicare un problema del caricabatterie. Se il caricabatterie indica la presenza di un problema, portare il caricabatterie e il pacco batteria presso un centro di assistenza autorizzato per essere testati.

Batteria lasciata nel caricabatterie

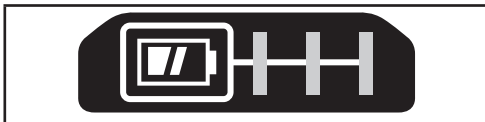
Il caricabatterie e il pacco batteria possono essere lasciati collegati con il LED sempre acceso. Il caricabatterie manterrà il pacco batteria come nuovo e completamente carico.

Ritardo per pacco caldo/freddo

Quando il caricabatterie rileva una batteria troppo calda o troppo fredda, avvia automaticamente un Ritardo per pacco batteria caldo/freddo, il LED verde (21a) lampeggia a intermittenza, mentre il LED rosso (21b) rimane acceso continuamente, sospendendo la ricarica fino a che la batteria non ha raggiunto la temperatura appropriata. Il caricabatterie quindi passa automaticamente alla modalità di carica. Questa funzione garantisce la massima durata della batteria.

Indicatore dello stato di carica della batteria (Fig. C)

La batteria include un indicatore dello stato di carica per determinare rapidamente la sua durata, come mostra la figura B. Premendo il pulsante dello stato di carica (15a) è possibile visualizzare facilmente la carica residua nella batteria, come illustrato nella figura C.



Montaggio e rimozione della batteria (fig. D, E)

- ◆ Per installare la batteria (15), allinearla all'apposito scomparto sull'elettrotensile (22). Infilare la batteria nell'apposito scomparto e premerla fino a quando si aggancia in sede.
- ◆ Per estrarre la batteria, premere il pulsante di rilascio (15b) estraendo al tempo stesso la batteria dall'apposito vano come mostrato in figura E.

Cambio della lama o installazione di una lama nuova (Figg. G, H ed I)

Avvertenza! Per ridurre il rischio di gravi lesioni personali, spegnere l'apparato e staccare la batteria prima di trasportare, eseguire qualsiasi regolazione o rimozione/installazione di dotazioni o accessori. Un avvio accidentale potrebbe provocare lesioni a persone.

Rimozione della lama

- ◆ Rimuovere il pacco batteria (15) dalla troncatrice.
- ◆ Sollevare il braccio nella posizione superiore e sollevare la protezione inferiore (4) all'altezza massima.
- ◆ Allentare, senza rimuoverla, la vite anteriore della staffa di protezione (24) fino a quando è possibile sollevare a sufficienza la staffa (25) per accedere alla vite di fissaggio della lama (26). La protezione inferiore rimarrà sollevata a causa della posizione della vite della staffa di protezione.
- ◆ Premere il pulsante di blocco dell'alberino (28) facendo ruotare con cautela la lama della troncatrice (29) a mano fino a innestare il blocco.
- ◆ Mantenendo premuto il pulsante, utilizzare l'altra mano e il lato esagonale della chiave fornita in dotazione per allentare la vite di fissaggio della lama (26). (Ruotare in senso orario, filettature a sinistra.)
- ◆ Rimuovere la vite di fissaggio della lama (26) utilizzando il lato esagonale della chiave fornita in dotazione, la rondella di bloccaggio esterna (30) e la lama (29). La rondella del morsetto interno (31) può essere lasciata sull'alberino (32).

Installazione di una lama

- ◆ Rimuovere il pacco batteria (15) dalla troncatrice.
- ◆ Con il braccio sollevato, la protezione inferiore (4) mantenuta aperta e la staffa di protezione (25) alzata, posizionare la lama (29) sull'alberino (32) e contro la rondella di bloccaggio interna (31) con i denti della lama rivolti nella direzione di rotazione marcata sulla troncatrice.
- ◆ Montare la rondella di bloccaggio esterna (30) sull'alberino (32).
- ◆ Installare la vite di fissaggio della lama (26) e, innestando il blocco dell'alberino (28), serrare saldamente la vite (26) con la chiave in dotazione (ruotare in senso anti-orario, filettature a sinistra).

- ◆ Riportare la staffa di protezione (25) nella sua posizione originale abbassata e serrare saldamente entrambe le vite della staffa di protezione (24) per mantenere la staffa in posizione.

Sistema di guida della linea di taglio

Avvertenza! Non fissare la luce di lavoro. Rischio di gravi lesioni agli occhi.

Nota: La batteria deve essere caricata e collegata alla troncatrice.

Il sistema di guida della linea di taglio può essere attivato o disattivato solo tramite l'interruttore della luce di lavoro (16). Per eseguire un taglio lungo un tratto di matita esistente su un pezzo di legno, attivare il sistema di guida della linea di taglio tramite l'interruttore della luce di zona (16) (non con l'interruttore di azionamento principale), quindi abbassare l'impugnatura di azionamento (2) per avvicinare la lama della troncatrice al pezzo di legno. Comparirà l'ombra della lama sul pezzo di legno. Questa linea d'ombra rappresenta il materiale che sarà rimosso dalla lama quando sarà eseguito il taglio. Per eseguire correttamente il taglio lungo il tratto di matita, allineare il tratto con il bordo dell'ombra della lama. Si tenga presente che potrebbe essere necessario regolare gli angoli di taglio inclinato o di taglio obliquo per seguire esattamente il tratto a matita.

La troncatrice è provvista di una funzione di allarme per batteria difettosa. La luce di lavoro inizia a lampeggiare quando la batteria è prossima all'esaurimento della propria carica utile, oppure quando si surriscalda. Prima di proseguire le applicazioni di taglio, caricare la batteria. Per le istruzioni di carica della batteria, consultare Procedura di carica nella sezione Importanti istruzioni di sicurezza per pacchi batteria.

Controllo taglio inclinato (Fig. J)

La manopola di bloccaggio per taglio inclinato (5) e il pulsante del fermo per taglio inclinato (6) permettono di inclinare la troncatrice di 47° a destra e di 47° a sinistra. Il fermo per taglio inclinato si posiziona automaticamente a 0°, 15°, 22,5°, 31,6° e 45° sia a sinistra che a destra. Per il taglio inclinato della troncatrice, sbloccare il meccanismo di bloccaggio per tagli inclinati ruotando la manopola di bloccaggio per tagli inclinati (5) in senso antiorario per sbloccare e in senso orario per bloccare. Tirare verso l'alto il pulsante di fermo per taglio inclinato (6) e impostare l'angolo di taglio inclinato desiderato sulla scala per il taglio inclinato (8). Bloccare la manopola di bloccaggio per tagli inclinati (5) ruotando in senso orario.

Manopola di bloccaggio per taglio obliquo (Fig. K)

La manopola di bloccaggio per il taglio obliquo consente di inclinare la troncatrice di 48° a sinistra. Per regolare l'impostazione del taglio obliquo, ruotare la manopola di bloccaggio per il taglio obliquo (12) in senso antiorario per allentarla.

Per serrare, girare la manopola di bloccaggio taglio obliquo in senso orario.

Attenzione! rischio di schiacciamento. Assicurarsi di stringere la manopola di bloccaggio per taglio obliquo prima di effettuare le regolazioni.

Interruttore di azionamento (Fig. L)

Per avviare la troncatrice, premere la levetta di blocco di sicurezza (17) verso sinistra, quindi premere l'interruttore di azionamento (1). La troncatrice funziona quando si preme l'interruttore. Lasciare che la lama raggiunga la massima velocità di funzionamento prima di effettuare il taglio. Per spegnere la troncatrice, rilasciare l'interruttore di azionamento. Lasciare che la lama si fermi prima di sollevare il braccio della testa troncatrice. Non sono provvisti dispositivi di fermo dell'interruttore di avviamento in posizione di accensione. L'interruttore di azionamento è dotato di un foro (1a) per l'inserimento di un lucchetto che lo blocchi.

La troncatrice non è provvista di un freno automatico della lama, ma la lama dovrebbe arrestarsi entro 5 secondi dal rilascio dell'interruttore di azionamento. Questo intervallo di tempo non è regolabile. Se il tempo di arresto supera ripetutamente 5 secondi, far sottoporre l'utensile a manutenzione presso un centro di assistenza Stanley FatMax autorizzato.

Assicurarsi sempre che la lama si sia arrestata prima di rimuoverla dalla piastra scanalata.

Aspirazione polveri (Fig. M)

Avvertenza! Per ridurre il rischio di gravi lesioni personali, spegnere l'apparato e staccare la batteria prima di trasportare, eseguire qualsiasi regolazione o rimozione/installazione di dotazioni o accessori. Un avvio accidentale potrebbe provocare lesioni a persone. La troncatrice presenta una porta di aspirazione polveri (14) integrata che consente di collegare il sacchetto raccogli-polvere in dotazione (35) o l'aspirapolvere di un'officina.

Per fissare il sacchetto raccogli-polvere

- ◆ Collegare il sacchetto raccogli-polvere (35) alla porta di aspirazione polveri (14), come illustrato nella Figura M.
- ◆ Un tubo di aspirazione (38 - non fornito in dotazione) può essere montato alla porta di aspirazione polveri (14) anziché al sacchetto raccogli-polvere (35). Questo può essere fatto montando il tubo di aspirazione (38) al posto del sacchetto raccogli-polvere (35), vedere la figura M.
- ◆ Utilizzare il cinturino in velcro (13a) per tenere il tubo di aspirazione (38) lontano dalle guide scorrevoli (13) mentre si utilizza la troncatrice.

Nota: Il cinturino in velcro (13a) non è una maniglia per il trasporto e non deve essere utilizzato per spostare o trasportare la troncatrice.

Per svuotare il sacchetto raccogli-polvere

- ◆ Rimuovere il sacchetto raccogli-polvere (35) dalla troncatrice e scuoterlo delicatamente oppure picchiettare su di esso per svuotarlo.
- ◆ Ricollegare il sacchetto raccogli-polvere alla porta di aspirazione polveri (14).

Si potrebbe notare che non tutta la polvere fuoriesce dal sacchetto. Questo non influirà sulle prestazioni di taglio, ma ridurrà l'efficacia di raccolta della polvere della troncatrice. Per ripristinare l'efficacia di raccolta della polvere della troncatrice, premere la molla all'interno del sacchetto raccogli-polvere durante il suo svuotamento e picchiettarlo sul lato del cestino della spazzatura o del contenitore della polvere.

Avvertenza! Non utilizzare mai questa troncatrice se il contenitore di raccolta delle polveri non è in sede. La polvere di legno potrebbe causare danni all'apparato respiratorio.

Esecuzione di un taglio

Se la funzione di scorrimento non viene utilizzata, assicurarsi di spingere la testa della troncatrice il più indietro possibile e di serrare la manopola di bloccaggio sulle guide (18). In questo modo è possibile impedire alla troncatrice di scorrere lungo le guide mentre si innesta il pezzo da lavorare.

Nota: NON TAGLIARE METALLI FERROSI O MURATURE CON QUESTA TRONCATRICE (I METALLI NON FERROSI POSSONO ESSERE TAGLIATI DA QUESTA TRONCATRICE). Non usare lame abrasive.

Nota: Per informazioni importanti riguardanti la protezione inferiore prima del taglio, consultare il paragrafo Attivazione della protezione e visibilità nella sezione regolazioni.

Tagli trasversali (fig. N)

Un taglio trasversale viene eseguito tagliando il pezzo di legno trasversalmente con qualsiasi angolazione. Un taglio trasversale rettilineo viene realizzato impostando l'angolo di taglio inclinato sullo zero. Settare e bloccare il braccio per il taglio inclinato sullo zero, e tenere saldamente il pezzo di legno da tagliare sul banco e contro il guida pezzo. Con la vite di bloccaggio delle guide (18) serrata, accendere la troncatrice premendo l'interruttore di azionamento (1).

Quando la troncatrice prende velocità (dopo circa 1 secondo), abbassare il braccio lentamente e con delicatezza per eseguire il taglio attraverso il pezzo di legno. Lasciare che la lama si fermi completamente prima di sollevare il braccio. Quando si esegue un taglio su un pezzo più grande di 2 x 4 (51 x 102), effettuare un movimento "fuori-giù-indietro" con la vite di bloccaggio delle guide (18) allentata. Tirare la troncatrice verso l'esterno, abbassare la testa della troncatrice verso il pezzo da lavorare e spingere indietro lentamente la troncatrice per completare il taglio. Non lasciare che la lama della troncatrice venga a contatto con la parte superiore del pezzo da lavorare durante l'estrazione.

La troncatrice potrebbe avanzare verso l'operatore, provocando possibili lesioni personali o danni al pezzo da lavorare.

Avvertenza! Servirsi sempre di un morsetto di fissaggio per mantenere il controllo e ridurre il rischio di danni al pezzo e lesioni personali se è necessario che le mani si trovino a una distanza di 6" (152 mm) della lama durante il taglio.

Nota! La vite di bloccaggio delle guide (18) deve essere allentata per consentire alla troncatrice di scorrere lungo le proprie guide.

I tagli trasversali inclinati vengono eseguiti posizionando il braccio per il taglio inclinato su un angolo qualsiasi diverso da zero.

Questo valore è spesso settato su 45° per l'esecuzione degli angoli, ma può essere impostato in qualsiasi posizione da zero a 47° a sinistra o a 47° a destra. Eseguire il taglio come descritto sopra.

Quando si esegue un taglio a quartabuono su pezzi da lavorare di larghezza superiore a 2 x 6 e più corti in lunghezza, posizionare sempre il lato più lungo contro il guida pezzo (Fig. O).

Per eseguire un taglio lungo un tratto di matita esistente su un pezzo di legno, fare corrispondere il più possibile l'angolo. Tagliare il pezzo di legno leggermente più lungo e prendere la misura dal tratto di matita al bordo tagliato per stabilire in quale direzione regolare l'angolo per il taglio inclinato ed eseguire un nuovo taglio. Questa operazione richiede un po' di pratica, ma si tratta di una tecnica usata comunemente.

Tagli di sbieco

Un taglio obliquo è un taglio trasversale eseguito con la lama della troncatrice inclinata di un certo angolo rispetto al pezzo di legno. Per impostare l'angolo per il taglio obliquo, allentare la manopola di bloccaggio per il taglio obliquo (12) e spostare la troncatrice verso sinistra nella posizione desiderata. Una volta impostato l'angolo di taglio obliquo desiderato, serrare la manopola di bloccaggio per il taglio obliquo saldamente. Gli angoli di taglio obliquo possono essere impostati da 3° a destra a 48° a sinistra.

Qualità del taglio

L'uniformità di qualsiasi taglio dipende da una serie di variabili. Fattori quali il materiale tagliato, il tipo di lama, quanto la lama è affilata e la velocità di taglio contribuiscono tutti alla qualità del taglio. Quando sono richiesti tagli particolarmente levigati per modanature e altri lavori di precisione, i migliori risultati si ottengono con una lama affilata (60 denti con punta in carburo) e con una velocità di taglio più bassa e uniforme. Assicurarsi che il materiale non si sposti e non si deformi durante il taglio; fissarlo saldamente in posizione. Lasciare sempre che la lama si fermi completamente prima di sollevare il braccio.

Qualora dei piccoli frammenti di legno dovessero spezzarsi sul retro del pezzo da lavorare, attaccare un pezzo di nastro per mascherature sul legno nel punto in cui verrà effettuato il taglio. Segare attraverso il nastro e rimuovere attentamente il nastro al termine dell'operazione.

Per le varie applicazioni di taglio consultare l'elenco delle lame raccomandate per la troncatrice e selezionare quella più adatta alle proprie esigenze. Fare riferimento a Lame per troncatrici in Accessori opzionali.

Posizione del corpo e delle mani (fig. O1–O4)

Il posizionamento corretto del corpo e delle mani durante l'utilizzo della troncatrice faciliterà il taglio, rendendolo più accurato e sicuro. Non appoggiare mai le mani vicino alla zona di taglio. Posizionare le mani a una distanza non inferiore a 6" (152 mm) dalla lama. Durante il taglio fissare saldamente il pezzo in lavorazione al banco e al guida pezzo. Tenere le mani in posizione finché non si rilascia l'interruttore e la lama non si è completamente arrestata.

PRIMA DEI TAGLI DI FINITURA, EFFETTUARE SEMPRE ALCUNE CORSE (IN ASSENZA DI ALIMENTAZIONE DI POTENZA) IN MODO DA POTER CONTROLLARE IL PERCORSO DELLA LAMA. NON INCROCIARE LE MANI, COME ILLUSTRATO IN FIGURA O3.

Tenere entrambi i piedi saldamente per terra e mantenere l'equilibrio. Mentre si sposta il braccio della troncatrice verso sinistra e verso destra, seguirlo e tenersi leggermente a lato della lama. Quando si segue un segno a matita, guardare attraverso le feritoie della protezione.

Bloccaggio del pezzo da lavorare

Avvertenza! Per ridurre il rischio di gravi lesioni personali, spegnere l'apparato e staccare la batteria prima di trasportare, eseguire qualsiasi regolazione o rimozione/installazione di dotazioni o accessori. Un avvio accidentale potrebbe provocare lesioni a persone.

Avvertenza! Un pezzo da lavorare fissato, bilanciato e sicuro prima di essere tagliato può risultare sbilanciato una volta completato il taglio. Un carico sbilanciato potrebbe far sbilanciare la troncatrice o qualsiasi supporto al quale essa possa essere fissata, come un tavolo o un banco di lavoro. Durante l'esecuzione di un taglio che potrebbe risultare sbilanciato, sostenere adeguatamente il pezzo da lavorare e assicurare che la troncatrice sia saldamente fissata a una superficie stabile. Potrebbero verificarsi lesioni personali.

Avvertenza! Il piedino di serraggio deve rimanere fissato sopra la base della troncatrice ogni volta che viene utilizzato il morsetto. Serrare sempre il pezzo da lavorare alla base della troncatrice - non a qualsiasi altra parte dell'area di lavoro. Assicurarsi che il piedino di serraggio non sia fissato sul bordo della base della troncatrice.

Avvertenza! Servirsi sempre di un morsetto di fissaggio per mantenere il controllo e ridurre il rischio di danni al pezzo e lesioni personali se è necessario che le mani si trovino a una distanza di 6" (152 mm) della lama durante il taglio. Se non è possibile tenere fermo il pezzo da lavorare sul banco e contro il guida pezzo con la mano (per via di una forma irregolare, ecc.), oppure se la mano dell'operatore dovrebbe essere posizionata a meno di 6" (152 mm) di distanza dalla lama, è necessario utilizzare un morsetto o un altro dispositivo di fissaggio.

Utilizzare il morsetto di fissaggio del materiale fornito in dotazione con la troncatrice. Per acquistare un morsetto di fissaggio del materiale, contattare il proprio rivenditore locale oppure un centro di assistenza Stanley FatMax. Altri supporti come morsetti a molla, morsetti a barra e morsetti a C potrebbero essere consigliabili per determinate dimensioni e forme di materiale. Prestare attenzione nella scelta e nel posizionamento di questi morsetti. Prendersi il tempo per effettuare una corsa in assenza di alimentazione, prima di eseguire il taglio.

Per installare un morsetto (fig. P)

- ◆ Inserire il morsetto (37) nel foro (19) dietro il guida pezzo. Il morsetto deve essere rivolto verso il retro della troncatrice. La scanalatura sull'asta del morsetto deve essere completamente inserita nella base. Assicurarsi che questa scanalatura sia completamente inserita nella base della troncatrice. Se la scanalatura è visibile, il morsetto non sarà fermo.
- ◆ Ruotare il morsetto di 180° verso la parte anteriore della troncatrice radiale.
- ◆ Allentare la manopola per regolare il morsetto in su o in giù, quindi utilizzare la manopola di regolazione fine per serrare saldamente il pezzo da lavorare.

Nota: Posizionare il morsetto sul lato opposto della base durante il taglio obliquo. PRIMA DEI TAGLI DI FINITURA, EFFETTUARE SEMPRE ALCUNE CORSE (IN ASSENZA DI ALIMENTAZIONE DI POTENZA) IN MODO DA CONTROLLARE IL PERCORSO DELLA LAMA. ASSICURARSI CHE IL MORSETTO NON INTERFERISCA CON L'AZIONE DELLA TRONCATRICE O DELLE PROTEZIONI.

Regolazioni

La troncatrice è stata accuratamente regolata in fabbrica. Qualora fosse necessario effettuare di nuovo la regolazione a seguito della spedizione e della movimentazione, o per qualsiasi altro motivo, attenersi alle istruzioni specifiche riportate di seguito.

Una volta eseguite, tali regolazioni devono mantenersi precise. Prendersi un po' di tempo per seguire attentamente queste istruzioni al fine di mantenere l'accuratezza di cui è capace la troncatrice.

Regolazione della scala per taglio inclinato (fig. Q1)

Bloccare il braccio in posizione abbassata. Sganciare la manopola di bloccaggio taglio inclinato (5) e far oscillare il braccio per taglio inclinato finché il pulsante di fermo del taglio inclinato (6) non lo blocca in posizione di taglio inclinato 0°. Non bloccare la manopola di bloccaggio taglio inclinato. Collocare una squadretta contro il guida pezzo e la lama della troncatrice, come illustrato. (Evitare il contatto della squadra con la punta dei denti della lama. Altrimenti si effettuerà una misurazione imprecisa) Se la lama della troncatrice non è esattamente perpendicolare al guida pezzo, allentare e spostare il guida pezzo del materiale fino a quando la lama non è perpendicolare al guida pezzo, come misurata con la squadra. Per il momento, non prestare attenzione al valore di lettura dell'indicatore sulla scala graduata per taglio a quartabuono.

Regolazione del taglio obliquo perpendicolare al banco (Fig. Q2)

Per allineare la lama perpendicolarmente al banco, bloccare il braccio in posizione abbassata con il perno di bloccaggio (20). Posizionare una squadra contro la lama, assicurandosi che la prima non si trovi sopra un dente. Allentare la manopola di blocco taglio obliquo (5) e assicurarsi che il braccio si trovi saldamente contro il fermo taglio obliquo a 0°. Ruotare la vite di regolazione del taglio obliquo su 0° con una chiave esagonale di 1/2" (12.7 mm) (non fornita in dotazione), il necessario affinché la lama sia posizionata sull'angolo di taglio obliquo 0° rispetto al banco, secondo la misurazione effettuata con la squadra.

Azionamento della protezione e visibilità (Fig. V)

Avvertenza! rischio di schiacciamento. Per ridurre il rischio di lesioni, mantenere il pollice sotto l'impugnatura di azionamento quando si abbassa l'impugnatura. La protezione inferiore si sposta quando l'impugnatura di azionamento viene abbassata, con il conseguente rischio di schiacciamento. La protezione inferiore (4) sulla troncatrice è stata progettata in modo da scoprire automaticamente la lama quando il braccio viene abbassato e coprirla quando viene sollevato. Prima di ciascun utilizzo o dopo aver eseguito le regolazioni, fare compiere un ciclo al braccio (in assenza di alimentazione) e assicurarsi che la protezione si apra con delicatezza e si chiuda completamente. Non dovrebbe entrare in contatto con la lama. Con il braccio alzato, sollevare la protezione (in assenza di alimentazione), come illustrato nella Figura V e rilasciare. La protezione dovrebbe chiudersi del tutto rapidamente. Non adoperare la troncatrice se la protezione non si muove liberamente e si chiude del tutto rapidamente. Non bloccare né legare la protezione in posizione aperta durante l'uso della troncatrice. La protezione può essere sollevata manualmente durante l'installazione o rimozione delle lame o per l'ispezione della sega.

NON SOLLEVARE MAI LA PROTEZIONE INFERIORE A MENO CHE LA LAMA NON VENGA ARRESTATATA.

Nota: Alcuni tagli speciali di materiale di grandi dimensioni richiederanno il sollevamento manuale della protezione. Consultare il paragrafo Taglio di materiale di grandi dimensioni nella sezione Tagli speciali.

La sezione anteriore della protezione è dotata di feritoie per consentire la visibilità durante il taglio. Sebbene le feritoie riducano drasticamente la quantità di detriti volanti, sono pur sempre delle aperture sulla protezione, pertanto si consiglia di indossare sempre occhiali di sicurezza.

Guida scorrevole

Controllare regolarmente le guide (13) per verificarne l'eventuale gioco. Le guide possono essere pulite con un panno asciutto e pulito.

Taglio di cornici per quadri, giunture a squadro e altri progetti a quattro lati (Fig. R1, R2)

Per comprendere al meglio come eseguire i lavori qui elencati si consiglia di provare a eseguire alcuni progetti semplici utilizzando legno di scarto, finché non si sviluppa una certa "sensibilità" nei confronti della troncatrice.

La troncatrice è l'utensile perfetto per eseguire angoli, come quello illustrato nella Figura R1. Il disegno A nella figura Figura R2 illustra una giuntura realizzata utilizzando la regolazione dell'angolo inclinato per inclinare i due pannelli di 45°, in modo da formare un angolo di 90°. Per questa giuntura il braccio per il taglio inclinato era bloccato in posizione zero e la regolazione del taglio obliquo era bloccata a 45°. Il legno è stato posizionato con il lato ampio e piatto contro il banco e con il bordo stretto contro il guida pezzo. Il taglio avrebbe potuto essere eseguito mediante taglio inclinato a destra o a sinistra con la superficie ampia contro il guida pezzo.

Modanature di finitura e altre intelaiature (fig. R2)

Il disegno B alla Figura R2 illustra una giunzione realizzata impostando il braccio del taglio inclinato a 45° per inclinare i due pannelli in modo da formare un angolo di 90°. Per realizzare questo tipo di giunzione, impostare la regolazione del taglio obliquo a zero e il braccio del taglio inclinato a 45°. Ancora una volta, posizionare il legno con il lato ampio e piatto contro la tavola e con il margine stretto contro il guida pezzo. Le Figure R1 e R2 si riferiscono esclusivamente a oggetti con quattro lati. Al variare del numero dei lati, variano anche l'angolo di taglio obliquo e l'angolo di taglio obliquo. La tabella seguente fornisce le impostazioni corrette degli angoli per il taglio di sagome di varie forme.

Esempi

Numero di lati	Angolo di taglio obliquo o a quartabuono
4	45°
5	36°
6	30°
7	25,7°
8	22,5°
9	20°
10	18°

Nella tabella si presume che tutti i lati siano della stessa lunghezza. In caso di forme non indicate in tabella, utilizzare la seguente formula: 180° diviso il numero di lati corrisponde all'angolo di taglio inclinato (se il materiale è tagliato in verticale) o di taglio obliquo (se il materiale è tagliato di piatto).

Tagli a quartabuono composti (fig. R3)

Un taglio a quartabuono composto è un taglio eseguito utilizzando contemporaneamente un angolo di taglio obliquo e un angolo a quartabuono. Si tratta del tipo di taglio utilizzato per la fabbricazione di cornici o strutture con lati inclinati come quella illustrata nella Figura R3.

Nota: Se l'angolo varia da taglio a taglio, controllare che la manopola di bloccaggio taglio obliquo e la manopola di bloccaggio taglio a quartabuono siano saldamente serrate. Serrare nuovamente le manopole ogniqualvolta si modifica l'angolo di taglio inclinato o obliquo. Il grafico al termine del presente manuale (Tabella 1) aiuterà nella scelta della regolazione dell'inclinazione e dell'angolazione corretta per i comuni tagli obliqui composti. Per utilizzare il grafico, scegliere l'angolo A (Fig. R3) del proprio progetto e individuare tale angolo sull'arco appropriato del grafico. Partendo da tale punto, scendere lungo la tabella seguendo una linea retta fino a trovare l'angolo obliquo corretto, e spostarsi lateralmente seguendo una linea retta trasversale, fino a trovare l'angolo inclinato corretto. Settare la troncatrice sugli angoli prescritti ed eseguire alcuni tagli di prova. Fare pratica con l'incastro dei pezzi tagliati finché non si sviluppa una certa "sensibilità" con questo procedimento e ci si sente a proprio agio nella sua esecuzione.

Esempio: Per costruire una scatola di 4 lati con angoli esterni di 26° (Angolo A, Fig. R3), utilizzare l'arco superiore di destra. Individuare il 26° sulla scala graduata dell'arco. Per ottenere l'impostazione dell'angolo di taglio a quartabuono sulla troncatrice (42°), seguire la linea orizzontale di intersezione fino all'uno o l'altro lato. Analogamente, per ottenere l'impostazione angolo di taglio obliquo della troncatrice (18°), seguire la linea verticale di intersezione fino alla sommità o al fondo.

Al fine di verificare le impostazioni troncatrice, eseguire sempre alcuni tagli di prova su pezzi di legno di scarto.

Taglio di modanature di base (fig. S)

Tagli rettilinei a 90°:

Posizionare il pezzo di legno contro il guida pezzo e tenerlo in posizione come illustrato nella Figura S. Accendere la troncatrice, lasciare che la lama raggiunga la piena velocità e abbassare con delicatezza il braccio attraverso il taglio.

Taglio di modanature di base fino a 3.5" (90 mm) di altezza in verticale contro il guida pezzo

Posizionare il materiale come mostrato nella Figura S. Tutti i tagli vengono eseguiti con la parte posteriore della sagoma contro il guida pezzo e con il fondo della sagoma contro il banco.

	Angolo interno	Angolo esterno
Lato sinistro	Angolo inclinato di 45° a sinistra Conservare il lato sinistro del taglio	Angolo inclinato di 45° a destra Conservare il lato sinistro del taglio
Lato destro	Angolo inclinato di 45° a destra Conservare il lato destro del taglio	Angolo inclinato di 45° a sinistra Conservare il lato destro del taglio

I materiali fino a 3.5" (90 mm) possono essere tagliati secondo la procedura descritta di sopra.

Taglio di modanature a corona

Per fissarle correttamente le modanature a corona devono essere tagliate con un taglio a quartabuono composto con estrema precisione.

Le due superfici piane su un determinato pezzo di modanatura a corona si trovano negli angoli che, se sommati formano un angolo di 90° esatti. La maggior parte delle modanature a corona, ma non tutte, presenta un angolo posteriore superiore (la sezione che aderisce al soffitto) di 52° e un angolo posteriore inferiore (la parte che aderisce alla parete) di 38°. La troncatrice è dotata di punti di fermo preimpostati del taglio inclinato a 31,6° a sinistra e a destra per il taglio di modanature a corona all'angolazione corretta. È inoltre presente una marcatura sulla scala di regolazione dell'inclinazione per il taglio obliquo a 33,8°.

La tabella Impostazioni per taglio obliquo/Tipo di taglio riporta le impostazioni corrette per tagliare le modanature a corona. (I valori relativi alle impostazioni per il taglio inclinato e il taglio obliquo sono molto precisi e non è sempre semplice settarli in modo accurato sulla troncatrice.) Poiché la maggior parte delle stanze non ha angoli di 90° esatti, si dovrà in ogni caso eseguire la regolazione di precisione delle impostazioni.

Istruzioni per il taglio di modanature a corona posate in piano e l'uso delle funzioni di taglio composto

- ◆ Posare la modanatura con la superficie posteriore larga appoggiata in posizione piana sul tavolo della troncatrice (36) (fig. T1).
- ◆ Le impostazioni riportate sotto si riferiscono a modanature a corona standard con angoli di 52° e 38°.

Impostazione angolazione	Tipo di taglio
33,8°	ANGOLO INTERNO, LATO SINISTRO: 1. Parte superiore della modanatura contro il guidapezzo 2. Piano di taglio inclinato settato a 31,62° a destra 3. Tenere l'estremità sinistra del taglio
33,8°	ANGOLO INTERNO, LATO DESTRO: 1. Parte inferiore della modanatura contro il guidapezzo 2. Piano di taglio inclinato settato a 31,62° a sinistra 3. Tenere l'estremità sinistra del taglio
33,8°	ANGOLO ESTERNO, LATO SINISTRO: 1. Parte inferiore della modanatura contro il guidapezzo 2. Piano di taglio inclinato settato a 31,62° a sinistra 3. Conservare l'estremità destra del taglio
33,8°	ANGOLO ESTERNO, LATO DESTRO: 1. Parte superiore della modanatura contro il guidapezzo 2. Piano di taglio inclinato settato a 31,62° a destra 3. Conservare l'estremità destra del taglio

Nota: quando si impostano gli angoli di taglio inclinato e di taglio obliquo per tutti i tagli inclinati composti, si ricordi che i valori degli angoli indicati per le modanature a corona sono molto precisi e difficili da settare in modo esatto. Poiché le modanature possono spostarsi leggermente con facilità e in pochissime stanze gli angoli sono esattamente retti, tutte le impostazioni dovrebbero prima essere provate su modanature di scarto.

Metodo alternativo per il taglio di modanature a corona

Posizionare la modanatura ad un angolo tra il guidapezzo (11) e il banco della sega (36), con il lato superiore della modanatura sul banco e il lato inferiore della modanatura sul guidapezzo, come mostrato nella figura T1.

Il vantaggio di tagliare le modanature a corona utilizzando questo metodo è che non è richiesto alcun taglio obliquo. È possibile effettuare regolazioni fini dell'angolo di taglio a quartabuono, senza influire sull'angolo di taglio obliquo. In questo modo, quando si affrontano angoli diversi da 90°, è possibile regolare la troncatrice in modo rapido e semplice per tali angoli.

Istruzioni per il taglio di modanature a corona angolate tra il guidapezzo e la base della troncatrice per tutti i tagli

Questa troncatrice può tagliare modanature a corona in posizione annidata di fino a 9/16" (14 mm) x 3-5/8" (92 mm).

- ◆ Angolare la sagoma in modo che la parte inferiore della sagoma (la parte che va contro la parete una volta installata) si trovi contro il guidapezzo (11) e la parte superiore della sagoma sia appoggiata sul banco della troncatrice (36), come mostrato in figura T2.
- ◆ Le "parti piatte" angolate sul retro della sagoma devono rimanere perpendicolari sul guidapezzo e il banco della troncatrice (36).

	Angolo interno	Angolo esterno
Lato sinistro	Taglio inclinato di 45° a destra Conservare il lato destro del taglio	Taglio inclinato di 45° a sinistra Conservare il lato destro del taglio
Lato destro	Taglio inclinato di 45° a sinistra Conservare il lato sinistro del taglio	Taglio inclinato di 45° a destra Conservare il lato sinistro del taglio

Tagli speciali

Non effettuare mai alcun taglio a meno che il materiale non sia fissato al banco e contro il guidapezzo.

Materiali piegati (fig. U1, U2)

Per praticare tagli su materiali piegati, posizionare sempre i materiali come illustrato nella Figura U1 e mai come nella Figura U2. Il posizionamento scorretto del materiale causa lo schiacciamento della lama quando il taglio è quasi completato..

Taglio di materiale cilindrico

Il materiale cilindrico deve essere fissato o tenuto saldamente contro il guidapezzo per evitare che rotoli. Tale accorgimento è estremamente importante durante l'esecuzione di tagli ad angolo.

Taglio di materiale di grandi dimensioni (fig. V)

A volte un pezzo di legno può essere troppo largo per essere posizionato sotto la protezione inferiore della lama. Per far passare la protezione sopra al pezzo di legno, con la troncatrice spenta e la mano destra sull'impugnatura di azionamento, mettere il pollice destro all'esterno della parte superiore della protezione e farla ruotare verso l'alto abbastanza da far passare sotto il pezzo di legno, come illustrato nella Figura V. Rilasciare la protezione prima di avviare il motore. Il meccanismo della protezione funzionerà correttamente durante il taglio. Fare ciò solo se necessario.

NON LEGARE, FERMARE CON NASTRO ADESIVO O SALDARE IN ALTRO MODO LA PROTEZIONE IN POSIZIONE APERTA DURANTE L'USO DELLA TRONCATRICE.

Manutenzione

Avvertenza! Per ridurre il rischio di gravi lesioni personali, spegnere l'apparato e staccare la batteria prima di trasportare, eseguire qualsiasi regolazione o rimozione/installazione di dotazioni o accessori. Un avvio accidentale potrebbe provocare lesioni a persone.

Avvertenza! Per ridurre il rischio di lesioni personali gravi, NON toccare i punti affilati sulla lama con le dita o le mani mentre si effettua qualsiasi intervento di manutenzione. NON utilizzare lubrificanti o detergenti (specialmente spray o aerosol) in prossimità della protezione in plastica. Il materiale in policarbonato di cui è fatta la protezione è soggetto all'attacco da parte di determinati agenti chimici.

- ◆ Tutti i cuscinetti sono sigillati. Sono lubrificati a vita e non necessitano di ulteriore manutenzione.
- ◆ Eliminare periodicamente tutta la polvere e i trucioli di legno attorno E SOTTO la base e il piano rotante. Anche se sono previste delle scanalature per consentire il passaggio dei detriti, si accumulerà della polvere.
- ◆ Le spazzole sono progettate per offrire diversi anni di utilizzo. In caso di necessità di sostituzione, riportare l'utensile al centro di assistenza più vicino per la riparazione.

Guida alla risoluzione dei problemi

Problema	Causa possibile	Soluzione
La troncatrice non parte.	Batteria non inserita.	Inserire la batteria. Consultare il paragrafo Installazione e rimozione del pacco batteria.
	Batteria scarica.	Caricare la batteria. Consultare il paragrafo Procedimento di carica.
	Le spazzole sono usurate.	Fare sostituire le spazzole da un centro di assistenza autorizzato.
La troncatrice esegue tagli insoddisfacenti.	La lama è smussata.	Sostituire la lama. Consultare la sezione Sostituzione o installazione di una nuova lama.
	La lama è stata montata al rovescio.	Invertire la posizione della lama. Consultare la sezione Sostituzione o installazione di una nuova lama.
	Sulla lama sono presenti tracce di gomma o bitume.	Rimuovere la lama e pulirla con paglietta d'acciaio e trementina o detergente per il forno domestico.
	La lama non è adatta per il lavoro da eseguire.	Cambiare il tipo di lama.
La luce di lavoro lampeggia.	La batteria non è carica.	Caricare la batteria. Consultare il paragrafo Procedimento di carica.
La macchina vibra eccessivamente.	La troncatrice non è montata in modo sicuro sul cavalletto o sul banco di lavoro.	Serrare tutti i dispositivi di fissaggio. Consultare il paragrafo Montaggio sul banco
	Il cavalletto o sul banco di lavoro è sistemato su un pavimento irregolare.	Riposizionarlo su una superficie liscia e piana.
	Lama danneggiata.	Sostituire la lama. Consultare la sezione Sostituzione o installazione di una nuova lama.

Problema	Causa possibile	Soluzione
La troncatrice non esegue tagli inclinati precisi.	La scala per il taglio inclinato non è regolata correttamente.	Verificare e procedere alla regolazione. Consultare il paragrafo Regolazione della scala per il taglio inclinato nella sezione Regolazioni.
	La lama non è perpendicolare al guidapezzo.	Verificare e procedere alla regolazione. Consultare il paragrafo Regolazione della scala per il taglio inclinato nella sezione Regolazioni.
	La lama non è perpendicolare al banco.	Verificare e procedere alla regolazione del guidapezzo. Consultare il paragrafo Regolazione del taglio obliquo perpendicolare al banco nella sezione Regolazioni.
	Movimento del pezzo da lavorare	Fissare il pezzo da lavorare in modo sicuro al guidapezzo oppure incollare un pezzo di carta vetrata con grana 120 al guidapezzo con del mastice.
Il materiale pizzica la lama.	La piastra scanalata è usurata o danneggiata.	Portarla in un centro di assistenza autorizzato.
	Taglio di materiale piegato.	Consultare il paragrafo Materiale piegato nella sezione Tagli speciali.

Tutela ambientale



Raccolta differenziata. I prodotti e le batterie contrassegnate con questo simbolo non devono essere smaltiti insieme ai normali rifiuti domestici.

I prodotti e le batterie contengono materiali che possono essere recuperati e riciclati, riducendo la domanda di materie prime. Riciclare i prodotti e le batterie in base alle normative locali pertinenti. Ulteriori informazioni sono disponibili all'indirizzo www.2helpU.com.

Dati tecnici

SFMC5701 (H1)			
Tensione	V	18	
Velocità	/min	3.800	
Diametro esterno della lama	mm	190	
Diametro del foro	mm	16	
Scanalatura max. del taglio	mm	1,8	
Peso senza batteria	kg	10	
Spessore della lama	mm	1,0	
Taglio obliquo (posizioni max.)	°	47	
Taglio smussato (posizioni max.)	°	47	
taglio inclinato 0 gradi	orizzontale	mm	50 x 216
	verticale	mm	90 x 15
taglio inclinato 45 gradi a destra	orizzontale	mm	50 x 152
	verticale	mm	90 x 15
taglio inclinato 45 gradi a sinistra	orizzontale	mm	50 x 152
	verticale	mm	90 x 15

taglio obliquo 45 gradi a sinistra	orizzontale	mm	50 x 152
	verticale	mm	50 x 15

Batteria		SFMCB201	SFMCB202	SFMCB204	SFMCB206
Tensione	V _{DC}	18	18	18	18
Capacità	Ah	1,5	2,0	4,0	6,0
Tipo		ioni di litio	ioni di litio	ioni di litio	ioni di litio

Caricabatterie		SFMCB11	SFMCB12	SFMCB14
Tensione in ingresso	V _{CA}	230	230	230
Tensione erogata	V _{CC}	18	18	18
Corrente	A	1,25	2	4

Livello di pressione sonora misurato in conformità alla norma EN 62841:	
L _{pa} (pressione sonora)	83,0 dB(A), Incertezza (K) 3 dB(A)
L _{wa} (potenza acustica)	94,5 dB(A), Incertezza (K) 3 dB(A)

Dichiarazione di conformità CE

DIRETTIVA MACCHINE



SFMC701 Troncatrice radiale senza filo

Stanley Europe dichiara che i prodotti descritti nei "Dati tecnici" sono conformi alle normative: EN62841-1:2015, EN62841-3-9:2015+A11:2017

Questi prodotti sono inoltre conformi alle direttive 2006/42/CE, 2014/30/UE e 2011/65/UE.

Per ulteriori informazioni, contattare STANLEY FATMAX al seguente indirizzo oppure consultare l'ultima di copertina del manuale.

Il firmatario è responsabile della compilazione del documento tecnico e rende questa dichiarazione per conto di STANLEY FATMAX.

Ed Higgins

Direttore - Consumer Power Tools
Stanley Europe, Egide Walschaertsstraat 14-18,
2800 Mechelen, Belgio
08/05/2020

Garanzia

Stanley Europe è sicura della qualità dei propri prodotti e offre ai consumatori una garanzia di 12 mesi dalla data di acquisto. Questa garanzia aggiuntiva non pregiudica in alcun modo i diritti del consumatore previsti dalla legge. La garanzia è valida sui territori degli stati membri dell'Unione Europea o dell'EFTA (Associazione europea di libero scambio). Per attivare la garanzia, il reclamo deve essere effettuato in accordo con i Termini e condizioni STANLEY FATMAX e sarà necessario presentare la prova di acquisto al venditore o all'agente di riparazione autorizzato. I Termini e condizioni della garanzia Stanley Europe di 1 anno e la sede dell'agente di riparazione autorizzato più vicino sono consultabili su Internet all'indirizzo www.2helpU.com, o contattando l'ufficio Stanley Europe di zona all'indirizzo indicato in questo manuale.

Visitare il nostro sito web www.stanley.eu/3 per registrare il prodotto STANLEY FATMAX appena acquistato e ricevere aggiornamenti sui nuovi prodotti e offerte speciali.

(Vertaling van de originele instructies)

NEREDLANDS

Bedoeld gebruik

Uw STANLEY FATMAX SFMC701 telescopische afkort- en verstekzaag is ontworpen voor het zagen van hout, kunststof en non-ferrometaal. Dit gereedschap is bedoeld voor professionele en voor niet-professionele gebruikers.

Instructies voor de veiligheid

Algemene veiligheidswaarschuwingen voor elektrisch gereedschap



Waarschuwing! Lees alle veiligheidsaarschuwingen, instructies, illustraties en specificaties die bij dit gereedschap zijn meegeleverd. Het niet opvolgen van de hieronder vermelde waarschuwingen en instructies kan leiden tot een elektrische schok, brand en/of ernstig persoonlijk letsel.

Bewaar alle waarschuwingen en instructies zodat u deze later ook kunt raadplegen. De term "elektrisch gereedschap" in de hieronder vermelde waarschuwingen verwijst naar uw (met een snoer) op de netspanning aangesloten elektrische gereedschap of naar (draadloos) elektrisch gereedschap met een accu.

1. Veiligheid op de werkplek

a. Houd uw werkomgeving schoon en opgeruimd. Op rommelige of donkere plekken kunnen gemakkelijk ongelukken gebeuren.

- b. Gebruik elektrisch gereedschap niet in een omgeving met explosiegevaar, zoals in de nabijheid van brandbare vloeistoffen, gassen of stof.** Elektrisch gereedschap veroorzaakt vonken die het stof of de dampen kunnen doen ontbranden.
- c. Houd kinderen en omstanders tijdens het gebruik van elektrisch gereedschap op afstand.** Als u wordt afgeleid, kan dat u de controle over het gereedschap doen verliezen.

2. Elektrische veiligheid

- a. De netstekker van het gereedschap moet in het stopcontact passen. Pas de stekker nooit op enigerlei wijze aan. Gebruik geen adapterstekkers met geaard elektrische gereedschap.** Niet-aangepaste stekkers en passende contactdozen verminderen het risico van een elektrische schok.
- b. Vermijd aanraking van het lichaam met geaarde oppervlakken, bijvoorbeeld leidingen, radiateurs, fornuizen en koelkasten.** Er bestaat een verhoogd risico op een elektrische schok als uw lichaam geaard is.
- c. Stel het gereedschap niet bloot aan regen en vocht.** Als er water elektrisch gereedschap binnendringt, verhoogt dit het risico van een elektrische schok.
- d. Behandel het snoer voorzichtig. Draag het elektrisch gereedschap nooit aan het snoer, trek het gereedschap nooit aan het snoer naar u toe, en trek de stekker nooit aan het snoer uit het stopcontact. Houd het snoer uit de buurt van warmte, olie, scherpe randen of bewegende onderdelen.** Beschadigde snoeren of snoeren die in de war zijn geraakt, verhogen het risico van een elektrische schok.
- e. Gebruik, wanneer u buitenshuis met elektrisch gereedschap werkt, alleen verlengsnoeren die zijn goedgekeurd voor gebruik buitenshuis.** Het gebruik van een verlengsnoer dat geschikt is voor werken buitenshuis, vermindert het risico van een elektrische schok.
- f. Als u met elektrisch gereedschap werkt op een vochtige locatie, gebruik dan een aardlekschakelaar (RCD).** Het gebruik van een aardlekschakelaar vermindert het risico van een elektrische schok.

3. Persoonlijke veiligheid

- a. Blijf alert, let goed op wat u doet en ga met verstand te werk bij het gebruik van elektrisch gereedschap. Gebruik het gereedschap niet wanneer u vermoeid bent of onder invloed van drugs, alcohol of medicatie.** Een moment van onoplettendheid tijdens het bedienen van elektrische gereedschap kan leiden tot ernstig persoonlijk letsel.
- b. Draag persoonlijke beschermende uitrusting. Draag altijd oogbescherming.**

Beschermende uitrusting, zoals een stofmasker, antislip veiligheidsschoenen, een helm, of gehoorbescherming, gebruikt in de juiste omstandigheden, zal het risico van persoonlijk letsel verminderen.

- c. Zorg ervoor dat het gereedschap niet per ongeluk kan worden ingeschakeld. Controleer dat de schakelaar in de stand Uit (Off) staat voor u het gereedschap aansluit op de stroombron en/of de accu plaatst en voor u het gereedschap oppakt en draagt.** Het dragen van elektrisch gereedschap met uw vinger op de schakelaar of het van stroom voorzien van elektrisch gereedschap waarvan de schakelaar in de stand Aan staat, kan gemakkelijk leiden tot ongelukken.
 - d. Verwijder instelgereedschap of schroefslutels voordat u het gereedschap inschakelt.** Een steekslutel of stelsluitel die in een ronddraaiend onderdeel van het elektrische gereedschap is achtergebleven, kan persoonlijk letsel veroorzaken.
 - e. Reik niet buiten uw macht. Blijf te allen tijde stevig in evenwicht en met beide voeten op de grond staan.** Dit zorgt voor betere controle van het elektrisch gereedschap in onverwachte situaties.
 - f. Draag geschikte kleding. Draag geen loszittende kleding of sieraden. Houd uw haar, kleding en handschoenen uit de buurt van bewegende onderdelen.** Loszittende kleding, sieraden of lang haar kunnen door bewegende delen worden gegrepen.
 - g. Als stofafzuigings- of stofopvangvoorzieningen kunnen worden gemonteerd, is het belangrijk dat u controleert dat ze goed zijn aangesloten en op juiste wijze worden gebruikt.** Het gebruik van stofafzuiging kan aan stof gerelateerde gevaren verminderen.
 - h. Denk niet dat u doordat u het gereedschap veel hebt gebruikt het allemaal wel weet en dat u de veiligheidsbeginselen kunt negeren.** Een onvoorzichtige actie kan in een fractie van een seconde ernstig letsel tot gevolg hebben.
- 4. Gebruik en verzorging van elektrisch gereedschap**
- a. Overbelast het gereedschap niet. Gebruik het juiste elektrisch gereedschap voor uw toepassing.** Het juiste elektrisch gereedschap voert de werkzaamheden waarvoor het is ontworpen, beter en veiliger uit.
 - b. Gebruik het elektrisch gereedschap niet wanneer de schakelaar niet goed werkt.** Ieder gereedschap dat niet met de schakelaar kan worden bediend, is gevaarlijk en moet worden gerepareerd.
 - c. Trek de stekker uit het stopcontact en/of de accu uit het elektrisch gereedschap voordat u het gereedschap instelt, toebehoren wisselt of het gereedschap opbergt.** Dergelijke preventieve veiligheidsmaatregelen verminderen het risico dat het elektrische gereedschap per ongeluk opstart.

- d. **Bewaar niet-gebruikte elektrische gereedschappen buiten bereik van kinderen. Laat het gereedschap niet gebruiken door personen die er niet vertrouwd mee zijn en deze aanwijzingen niet hebben gelezen.** Elektrisch gereedschap zijn gevaarlijk in handen van ongetrainde gebruikers.
- e. **Onderhoud elektrisch gereedschap en accessoires goed. Controleer op verkeerde uitlijning en het aanlopen van bewegende onderdelen, breuk van onderdelen en andere omstandigheden die de werking van het elektrisch gereedschap nadelig kunnen beïnvloeden. Laat het gereedschap voor gebruik repareren, als het is beschadigd.** Veel ongelukken worden veroorzaakt doordat elektrisch gereedschap niet goed is onderhouden.
- f. **Houd zaag- en snijgereedschap scherp en schoon.** Goed onderhouden gereedschap met scherpe snijranden loopt minder snel vast en is gemakkelijker onder controle te houden.
- g. **Gebruik elektrisch gereedschap, toebehoren, zaagjes en boortjes, enz., volgens deze aanwijzingen. Let daarbij op de arbeidsomstandigheden en de uit te voeren werkzaamheden.** Gebruik van het elektrische gereedschap voor werkzaamheden die anders zijn dan het bedoelde gebruik, kunnen leiden tot een gevaarlijke situatie.
- h. **Houd de handgrepen en oppervlakken die u beet pakt droog, schoon en vrij van olie en vet.** Door gladde handgrepen en oppervlakken die u beet pakt, kan veilig werken en bedienen van het gereedschap in onverwachte situaties onmogelijk worden.
5. **Gebruik en onderhoud van accugereedschap**
- a. **Laad accu's alleen op met de door de fabrikant aanbevolen lader.** Een lader die geschikt is voor het ene type accu, kan een risico van brand doen ontstaan bij gebruik met een andere accu.
- b. **Gebruik elektrisch gereedschap alleen in combinatie met specifiek vermelde accu's.** Het gebruik van andere accu's kan gevaar voor letsel en brand opleveren.
- c. **Houd de accu, wanneer u deze niet gebruikt, weg bij andere metalen objecten zoals paperclips, munten, sleutels, spijkers, schroeven of andere kleine metalen voorwerpen die een verbinding tot stand kunnen brengen tussen de ene pool en de andere.** Als kortsluiting tussen de polen van de accu's wordt gemaakt, kunnen brandwonden of brand worden veroorzaakt.
- d. **Wanneer de accu slecht wordt behandeld, kan er vloeistof uit de accu spuiten, vermijd contact met deze vloeistof. Als er per ongeluk contact ontstaat, spoel dan met water. Als de vloeistof in de ogen komt, roep dan tevens medische hulp in.** Vloeistof die uit de batterij komt, kan irritatie en brandwonden veroorzaken.
- e. **Werk niet met een accu of met gereedschap dat beschadigd is of waaraan wijzigingen zijn aangebracht.** Beschadigde of gemodificeerde accu's kunnen zich onvoorspelbaar gedragen en dat kan brand, explosie of een risico van letsel tot gevolg kan hebben.
- f. **Stel een accu of gereedschap niet bloot aan open vuur of uitzonderlijk hoge temperatuur.** Blootstelling aan vuur of een temperatuur hoger dan 130 °C kunnen de accu laten exploderen.
- g. **Volg alle instructies voor het opladen en laad de accu of het gereedschap niet op buiten het temperatuurbereik dat in de instructies wordt opgegeven.** Door op onjuiste wijze opladen of opladen bij een temperatuur buiten het opgegeven bereik kan de accu beschadigd raken en het risico van brand toenemen.
6. **Service**
- a. **Laat het gereedschap repareren door gekwalificeerd en vakkundig personeel en alleen met originele vervangende onderdelen.** Dit garandeert dat de veiligheid van het gereedschap behouden blijft.
- b. **Probeer nooit beschadigde accu's te repareren.** De reparaties aan accu's mogen alleen worden uitgevoerd door de fabrikant of door geautoriseerde servicecentra.
- Veiligheidsvoorschriften voor verstekzagen**
- ◆ **Verstekzagen zijn bedoeld voor het zagen van hout of producten die lijken op hout, zij kunnen niet worden gebruikt voor het zagen met slijpschijven van metalen zoals balken, staven, stangen, enz.** Stof dat wordt veroorzaakt door slijpwerk zorgt ervoor dat bewegende onderdelen zoals de onderste beschermkap vastlopen. Vonken die ontstaan door het slijpen van metalen zullen inbranden op de onderste beschermkap, de zaagplaatinzet en andere kunststof onderdelen.
 - ◆ **Ondersteun het werkstuk met klemmen wanneer dat maar mogelijk is. Als u het werkstuk met de hand ondersteunt, moet u uw hand altijd ten minste 100 mm van beide zijden van het zaagblad vandaan houden.** Gebruik deze zaag niet voor het zagen van stukken die te klein zijn om ze stevig vast te klemmen of met de hand vast te houden. Als u uw hand te dicht bij het zaagblad plaatst, is er een groter risico dat u zich verwondt door contact met het zaagblad.
 - ◆ **Het werkstuk moet stil liggen en worden vastgeklemd of tegen zowel de langsgleiding als de tafel worden gehouden. Voer het werkstuk niet aan tegen het zaagblad en zaag op geen enkele wijze "uit de vrije hand".** Werkstukken die niet worden vastgehouden of die bewegen, kunnen op hoge snelheid worden weggegooid, wat letsel tot gevolg heeft.
 - ◆ **Duw de zaag door het werkstuk. Trek niet de zaag door het werkstuk.**

Als u een zaagsnede wilt maken, brengt u de zaagkop omhoog en trekt u deze zonder te zagen over het werkstuk, start u de motor, drukt u de zaagkop omlaag en duwt u de zaag door het werkstuk. Zagen door aan het zaagblad te trekken zal waarschijnlijk tot gevolg hebben dat het zaagblad uit het werkstuk omhoog komt en dat zal de zaag met kracht in de richting van de gebruiker gooien.

- ◆ **Laat uw hand nooit de lijn die u wilt gaan zagen, overschrijden, niet voor en niet achter het zaagblad.** Het werkstuk ondersteunen "met gekruiste handen", dat wil zeggen, het werkstuk rechts van het zaagblad vasthouden met uw linkerhand of andersom, is heel gevaarlijk.
- ◆ **Reik niet met één van uw handen achter de langsgleiding, op een afstand van minder dan 100 mm van een van de zijden van het zaagblad, bijv. om houtresten te verwijderen, of om welke andere reden dan ook, terwijl het zaagblad draait.** U zult dan misschien niet merken hoe dicht uw hand bij het zaagblad is en u zult ernstig letsel kunnen oplopen.
- ◆ **Inspecteer uw werkstuk voordat u gaat zagen. Is het werkstuk gebogen of krom, klem het dan op een ander gedeelte dan de kromming tegen de langsgleiding. Let er altijd goed op dat er geen ruimte is tussen het werkstuk, de langsgleiding en de zaagtafel, langs de te zagen lijn.** Verbogen of kromme werkstukken kunnen draaien en verschuiven en kunnen het draaiende zaagblad tijdens het zagen doen vastlopen. Er mogen geen spijkers of andere voorwerpen in het werkstuk zitten.
- ◆ **Gebruik de zaag pas als de zaagtafel vrij is van alle andere voorwerpen dan het werkstuk, bijv. gereedschap, houtresten, enz.** Klein afval of losse stukken hout of andere voorwerpen die in aanraking komen met het draaiende zaagblad kunnen met hoge snelheid worden weggegooid.
- ◆ **Zaag slechts één werkstuk tegelijk.** Een stapel van meerdere werkstukken kan niet goed worden vastgeklemd of gesteund en kan het zaagblad laten vastlopen of kan tijdens het zagen verschuiven.
- ◆ **Controleer voordat u de verstekzaag gaat gebruiken, dat het gereedschap op een vlak, stevig werkoppervlak is gemonteerd of geplaatst.** Een vlak en stevige werkoppervlak maakt dat er minder risico is dat de verstekzaag onstabiel wordt.
- ◆ **Plan uw werkzaamheden. Controleer, iedere keer dat u de stand van de zaag of de verstekhoek wijzigt, dat de verstelbare langsgleiding goed is ingesteld zodat het werkstuk wordt ondersteund en de langsgleiding het zaagblad of het systeem van beschermkappen niet hindert.**

Verplaatst het zaagblad, zonder dat u het gereedschap op "AAN" zet en zonder werkstuk op de zaagtafel, langs een volledige gesimuleerde zaagsnede, zodat u zeker weet dat er niets in de weg zit en dat er geen gevaar is dat u in de langsgleiding zaagt.

- ◆ **Zorg voor voldoende ondersteuning, zoals een uitschuifbaar deel van de tafel, schragen, enz., voor een werkstuk dat breder of langer is dan het bovenblad van de zaagtafel.** Werkstukken die langer of breder zijn dan de verstekzaagtafel kunnen omvallen als ze niet stevig worden ondersteund. Als het afgezaagde deel of het werkstuk omvalt, kan het de onderste beschermkap omhoog brengen of kan het worden weggeslingerd door het draaiende zaagblad.
- ◆ **Gebruik niet een ander persoon in plaats van een uitschuifblad van de tafel of als extra ondersteuning.** Door een instabiele ondersteuning van het werkstuk kan het zaagblad vastlopen of kan het werkstuk tijdens het zagen verschuiven waardoor u en uw hulp tegen het draaiende zaagblad worden getrokken.
- ◆ **Het afgezaagde stuk mag niet, op welke manier dan ook, tegen het draaiende zaagblad worden geklemd of gedrukt.** Als het werkstuk niet weg kan, dat wil zeggen, doordat u lengtestoppen gebruikt, kan het afgezaagde stuk tegen het zaagblad worden gedrukt en met grote kracht worden weggeslingerd.
- ◆ **Gebruik altijd een klem of een werkstukhouder die is ontworpen voor het goed ondersteunen van rond materiaal, zoals stangen of leidingen.** Stangen hebben de neiging weg te rollen wanneer ze worden gezaagd, waardoor het zaagblad "ingrijpt" en het werkstuk samen met uw hand naar het zaagblad toetrekt.
- ◆ **Laat het zaagblad volledig op snelheid komen voordat u het in contact brengt met het werkstuk.** Hierdoor wordt het risico dat het werkstuk wordt weggeslingerd, beperkt.
- ◆ **Als het werkstuk of het zaagblad bekned geraakt, zet de verstekzaag dan uit. Wacht tot alle bewegende onderdelen tot stilstand zijn gekomen en trek de stekker uit het stopcontact en/of verwijder de accu. Maak vervolgens het vastgelopen materiaal los.** Wanneer u doorgaat met het zagen van een vastgelopen werkstuk, kan dat leiden tot verlies van controle of tot beschadiging van de verstekzaag.
- ◆ **Laat na het voltooiën van de zaagsnede de schakelaar los, houd de zaagkop omlaag en neem pas het afgezaagde deel weg wanneer het zaagblad tot stilstand is gekomen.** Het is gevaarlijk met uw hand in de buurt van het uitlopende zaagblad te komen.

Aanvullende veiligheidsinstructies voor verstekzagen

- ◆ Het bedoeld gebruik wordt beschreven in deze gebruiksaanwijzing. Het gebruik van andere accessoires of hulpstukken dan wel de uitvoering van andere handelingen met dit gereedschap dan in deze gebruikershandleiding worden aanbevolen, kan tot persoonlijk letsel en/of schade aan eigendom leiden.
- ◆ Gebruik geen gescheurde/verbogen/beschadigde/vervormde zaagbladen.
- ◆ Vervang de zaagplaat wanneer deze versleten is.
- ◆ Gebruik geen zaagbladen met een grotere of kleinere diameter dan wordt aanbevolen. Raadpleeg de technische gegevens voor de juiste afmetingen van het zaagblad. Gebruik alleen de zaagbladen die worden opgegeven in deze handleiding, en die voldoen aan EN 847-1.
- ◆ Gebruik geen HSS-zaagbladen (High Speed Steel).



Waarschuwing! Contact met of inademing van het stof dat bij zaagtoepassingen vrijkomt, kan de gezondheid van de gebruiker en omstanders schaden. Draag een stofmasker dat speciaal is ontworpen ter bescherming tegen stoffen en dampen, en let erop dat andere personen op de werkvloer of die de werkvloer betreden eveneens zijn beschermd.

- ◆ Verwerk geen materiaal dat asbest bevat. Asbest wordt beschouwd als een kankerverwekkende stof.
- ◆ Draag handschoenen wanneer u zaagbladen en ruwe materialen vasthoudt (indien mogelijk moeten zaagbladen in een houder worden vervoerd).
- ◆ Draag gehoorbescherming zodat het risico van gehoorverlies wordt verminderd.
- ◆ Overweeg het gebruik van speciaal ontworpen zaagbladen die minder geluid maken.
- ◆ Draag een veiligheidsbril om het risico op persoonlijk letsel te beperken.
- ◆ Gebruik de bijgeleverde stofzak wanneer u hout zaagt.
- ◆ **Houd het gereedschap alleen vast aan geïsoleerde oppervlakken als u een handeling uitvoert waarbij het accessoire van het zaaggereedschap in contact kan komen met verborgen bedrading of het eigen netsnoer.** Als een draad onder spanning wordt geraakt door het snijdende hulpstuk, komen onbedekte metalen onderdelen van het gereedschap onder spanning te staan en kunt u een elektrische schok krijgen.
- ◆ Selecteer het juiste zaagblad voor het materiaal dat u wilt zagen.
- ◆ Gebruik de machine niet als de beschermkap niet is aangebracht. Gebruik de machine niet als de beschermkap niet werkt of niet goed is onderhouden.
- ◆ Controleer dat de arm stevig is vastgezet wanneer u schuine zaagsneden uitvoert.

- ◆ Controleer voor iedere zaagsnede dat de machine stabiel is.
- ◆ Houd de handvatten droog, schoon en vrij van olie en vet.
- ◆ Houd de ruimte rond de machine schoon en vrij van losse materialen zoals spaanders en zaagresten.
- ◆ Zorg dat de machine en de werkruimte goed worden verlicht met centrale verlichting of verlichting op de werkplek.
- ◆ Zorg dat de machine uitsluitend wordt bediend door mensen die daarvoor zijn opgeleid.
- ◆ Controleer vóór gebruik altijd of het zaagblad correct is aangebracht. Het is belangrijk dat het zaagblad in de juiste richting draait. Houd het zaagblad scherp. Volg de instructies voor het smeren en het vervangen van accessoires.
- ◆ Controleer dat de snelheid die op het zaagblad wordt vermeld, ten minste gelijk is aan de snelheid die op de zaag wordt vermeld.
- ◆ Let erop dat eventuele tussenringen en asringen geschikt zijn voor het doel dat door STANLEY FATMAX wordt vermeld.
- ◆ Reparaties aan het geleidingssysteem mogen alleen worden uitgevoerd door geautoriseerde servicecentra of STANLEY FATMAX personeel.
- ◆ Haal de accu uit de machine voordat u onderhoudswerk uitvoert of het zaagblad verwisselt.
- ◆ Voer nooit reinigings- of onderhoudswerkzaamheden uit en verwijder geen zaagresten of andere delen van het werkstuk uit het zaaggebied wanneer de machine draait of de zaagkop niet in de ruststand staat.
- ◆ Monteer wanneer mogelijk de machine altijd op een werkbank.
- ◆ Zorg dat alle vergrendelingsknoppen en handgrepen goed vastzitten voordat u de machine in gebruik neemt.
- ◆ Gebruik de zaag nooit zonder het tafelelement.
- ◆ Probeer nooit de draaiende machine snel te stoppen door een stuk gereedschap of een ander voorwerp tegen het zaagblad te duwen. Dit kan onbedoeld leiden tot ernstige ongevallen.
- ◆ Lees de gebruikershandleiding voordat u eventuele hulpstukken gebruikt of plaatst. Onjuist gebruik van een accessoire kan schade veroorzaken.
- ◆ Til de zaag uit het tafelelement en uit het werkstuk voordat u de aan/uit-schakelaar loslaat.
- ◆ Zet niet iets vast tegen de ventilator om de motoras vast te zetten.
- ◆ De zaagbladbeschermkap op uw zaag zal automatisch omhoog gaan wanneer de arm zakt, de kap zal over het zaagblad zakken wanneer de arm wordt opgetild. U kunt de beschermkap met de hand omhoog brengen wanneer u zaagbladen monteert of verwijdt of als u de zaag wilt inspecteren. Til de kap nooit met de hand op als de machine niet is uitgeschakeld.

- ◆ Controleer zo nu en dan dat de luchtsleuven van de motor schoor zijn en dat er geen spaanders in zitten.
- ◆ Zorg dat de waarschuwingssymbolen op het elektrische gereedschap altijd goed zichtbaar blijven.
- ◆ Ga nooit op het elektrische gereedschap staan. Wanneer het elektrische gereedschap omvalt of wanneer u in aanraking komt met het zaagblad, kan dit leiden tot ernstige verwondingen.
- ◆ Pak het zaagblad na werkzaamheden niet vast voordat het is afgekoeld. Het zaagblad wordt tijdens het werken heel heet.
- ◆ Voorkom letsel door wegschietend materiaal door eerst de accu van de zaag te verwijderen en daarna klein materiaal te verwijderen.
- ◆ Controleer voor en na alle onderhoudswerkzaamheden of de beschermkap van de zaag goed werkt. Zorg ervoor dat de zaag is uitgeschakeld en de accu is verwijderd voordat u deze test uitvoert. Breng de arm omhoog en omlaag om te controleren of de beschermkap het zaagblad bedekt, maar er niet mee in aanraking komt. Laat het gereedschap repareren door een gekwalificeerd servicecentrum als de beschermkap niet goed werkt. Informeer bij de klantenservice van STANLEY FATMAX naar het dichtstbijzijnde servicecentrum.
- ◆ **Deze afkortzaag is uitsluitend ontworpen voor het zagen van hout, kunststof en non-ferrometaal.** Gebruik de zaag niet voor het zagen van andere materialen dan die de fabrikant aanbeveelt.
- ◆ Pak het zaagblad na werkzaamheden niet vast voordat het is afgekoeld. Het zaagblad wordt tijdens het werken heel heet.



Waarschuwing! Door het zagen van kunststoffen, nat hout en andere materialen kan zich gesmolten of gedroogd materiaal op de tip van het zaagblad en op het zaagblad zelf afzetten, waardoor het risico van oververhitting en van vastlopen van het zaagblad tijdens het zagen kan toenemen.

Veiligheid van anderen

- ◆ Deze lader mag worden gebruikt door kinderen van 8 jaar en ouder en personen die lichamelijk of geestelijk minder valide zijn of die geen ervaring met of kennis van dit apparaat hebben, mits zij onder toezicht staan of instructies krijgen voor een veilige manier van gebruiken van het apparaat en inzicht hebben in de mogelijke gevaren.
- ◆ Kinderen mogen niet met het apparaat spelen. Laat kinderen nooit zonder toezicht het gereedschap schoonmaken of onderhouden.

Overige risico's

De volgende risico's horen bij het gebruik van zagen:

- Zelfs bij het toepassen van de relevante veiligheidsvoorschriften en het gebruik van veiligheidsvoorzieningen zullen bepaalde risico's misschien niet kunnen worden vermeden. Dit zijn onder meer:
- ◆ Verwondingen die worden veroorzaakt door het aanraken van draaiende of bewegende onderdelen.
 - ◆ Gehoorbeschadiging.
 - ◆ Risico van ongelukken door de onbedekte delen van het ronddraaiende zaagblad.
 - ◆ Risico's op verwondingen bij het vervangen van onderdelen, bladen of accessoires.
 - ◆ Risico van het knellen van de vingers bij het openen van de beschermkappen.
 - ◆ Gezondheidsrisico's door het inademen van zaagsel dat ontstaat bij het zagen van hout, in het bijzonder eiken, beuken en MDF.
 - ◆ Verwondingen die worden veroorzaakt door langdurig gebruik van het gereedschap. Las vooral regelmatig pauzes in wanneer u gereedschap langdurig achtereen gebruikt.

Geluid

De aangegeven geluidsemissiewaarden zijn gemeten conform een standaardtestmethode en kan worden gebruikt om het gereedschap met andere gereedschappen te vergelijken. De verklaarde geluidsemissiewaarden kunnen ook worden gebruikt voor een voorlopige beoordeling van blootstelling.

Waarschuwing! De geluidsemissiewaarden tijdens werkelijk gebruik van het elektrisch gereedschap kan verschillen van de verklaarde waarde, afhankelijk van de manieren waarop het gereedschap wordt gebruikt en het werkstuk dat wordt verwerkt.

Waarschuwing! Draag altijd geschikte

gehoorbescherming. Onder bepaalde omstandigheden en bij een zekere gebruiksduur kan het lawaai van dit product leiden tot gehoorbeschadiging. Houd rekening met de volgende factoren die van invloed zijn bij de blootstelling aan lawaai:

- ◆ Gebruik zaagbladen die zo zijn ontworpen dat zij minder lawaai maken,
- ◆ Gebruik alleen goede, scherpe zaagbladen, en
- ◆ Gebruik speciaal ontworpen geluiddempende zaagbladen.

Etiketten op het gereedschap

De volgende pictogrammen worden samen met de datumcode op het gereedschap getoond:



Waarschuwing! Beperk het risico van letsel, de gebruiker moet de instructiehandleiding lezen.



Draag een veiligheidsbril of oogbescherming



Draag gehoorbescherming



Draag een stofmasker



Dit product mag niet worden gebruikt door kinderen onder de 16



Houd handen weg bij zaagblad



Geen handen zone - Houd vingers en armen uit de buurt van draaiende zaagbladen



Draag handschoenen wanneer u zaagbladen vastpakt



Kijk niet in de lamp

Aanvullende veiligheidsinstructies voor accu's en laders

Waarschuwing! Het apparaat mag alleen worden gebruikt met de meegeleverde voedingseenheid.

Opmerking: De aanbevolen bedrijfstemperatuur van het gereedschap is 4 °C tot 40 °C.

Accu's

- ◆ Probeer nooit om welke reden dan ook de accu open te maken.
- ◆ Stel de accu niet bloot aan water.
- ◆ Bewaar de accu niet op locaties waar de temperatuur kan stijgen tot boven 40 °C.
- ◆ Laad de accu's alleen op bij een omgevingstemperatuur van 10 °C en 40 °C.
- ◆ Gebruik alleen de lader die bij het apparaat is geleverd.
- ◆ Gooi versleten accu's weg volgens de instructies in het gedeelte "Het milieu beschermen".



Laad beschadigde accu's niet op.

Laders

- ◆ Gebruik de lader van Stanley FatMax alleen voor de accu's in het apparaat waarbij de lader is bijgeleverd. Andere accu's kunnen exploderen met lichamelijk letsel en schade aan eigendommen als gevolg.
- ◆ **Niet-laadbare accu's mogen nooit worden opgeladen.**
- ◆ **Een defect snoer moet direct worden vervangen.**
- ◆ Stel de lader niet bloot aan water.
- ◆ Open de lader niet.
- ◆ Prik nooit met een scherp voorwerp in de lader.



De lader is uitsluitend bestemd voor gebruik binnenshuis.



Lees voor gebruik deze gebruikershandleiding.

Elektrische veiligheid



De lader is dubbel geïsoleerd, zodat een aardeaansluiting niet nodig is. Controleer altijd dat de netspanning overeenkomt met de waarde op het typeplaatje. Probeer nooit de lader door een normale netstekker te vervangen.

- ◆ Als het netsnoer is beschadigd moet dit worden vervangen door de fabrikant of een Stanley Fatmax-servicecentrum, zodat gevaarlijke situaties worden voorkomen.

Functies

Dit gereedschap is voorzien van enkele van de volgende functies of alle volgende functies.

1. Aan/uit-schakelaar
2. Bedieningshandgreep
3. Montagegaten
4. Onderste beschermkap
5. Afkortvergrendelingsknop
6. Verstekgrendelknop
7. Zaagplaat
8. Verstekschaalverdeling
9. Indicator verstekschaalverdeling
10. Handvatten
11. Langsgeleiding
12. Vergrendelingsknop afschuinhoek
13. Rails
- 13a. Klittenband
14. Stofpoort
15. Accu
16. Werkklampschakelaar
17. Hendel voor vergrendeling in de uit-stand
18. Railvergrendelschroef
19. Klem montagegat
20. Vergrendelpen

Montage (Afb. A)

Uw afkortzaag wordt deels gemonteerd geleverd.

- ◆ Open de doos en til de zaag uit de doos met gebruik van de handvatten (10) aan de zijkant van de zaag (Afb. A).
- ◆ Plaats de zaag op een glad, vlak oppervlak, zoals een werkbank of een stevige tafel.
- ◆ Raadpleeg de montagekening op pagina 2 van deze handleiding om kennis te nemen van de zaag en alle onderdelen.

In het hoofdstuk over aanpassingen zullen deze termen worden genoemd en u moet weten welke onderdelen er zijn en waar ze zijn.

- ◆ De afkortvergrendelingsknop (5) is nog niet gemonteerd. Verwijder de afkortvergrendelingsknop (5) uit de verpakking en schroef deze op de zaag, zie afbeelding G en J voor de juiste positionering.
- ◆ Uw zaag heeft een ingebouwde stofpoort (14) waarop de meegeleverde, maar nog niet gemonteerde, stofzak (35) of een stofafzuigsysteem kan worden aangesloten (Afb. N).

Zaagplaat (Afb. J)

De zaagplaat (7) is door middel van 6 schroeven op de zaagtafel gemonteerd. De hoogte van de zaagplaat (7) is niet verstelbaar.

Opmerking: Als de zaagplaat (7) is versleten, beschadigd of moet worden vervangen, laat reparaties dan uitvoeren door een geautoriseerde reparatiemonteur of STANLEY FATMAX personeel.

Vergrendelpen (Afb. F)

Waarschuwing! De vergrendelpen mag ALLEEN worden gebruikt wanneer u de zaag draagt of opbergt. Gebruik de vergrendelpen NOOIT bij uw zaagwerkzaamheden.

Opmerking: Gebruik de twee handvatten (10) aan beide zijden van de zaag om de zaag tijdens transport te tillen, dragen en te ondersteunen (Afb. A).

U kunt de zaagkop in de neerwaartse stand vergrendelen door de zaagkop omlaag te duwen, de vergrendelpen (20) in te duwen en de zaagkop los te laten. Zo wordt de zaagkop veilig omlaag gehouden en kan de zaag veilig van de ene plaats naar de andere worden vervoerd. U kunt de zaagkop losmaken door de kop omlaag te duwen en de pen uit te trekken.

Waarschuwing! Let goed op dat de zaag altijd uit staat en dat de accu is verwijderd, voordat u aanpassingen maakt of de werking van de zaag controleert.

Een accu opladen (Afb. B)

De accu moet vóór het eerste gebruik worden opgeladen en ook zodra deze niet meer voldoende vermogen levert voor taken die eerst gemakkelijk konden worden uitgevoerd. Tijdens het opladen kan de accu warm worden. Dit is normaal en duidt niet op een probleem.

Waarschuwing! Laad de batterij niet op bij een omgevingstemperatuur van lager dan 10 °C of hoger dan 40 °C. De aanbevolen laadtemperatuur ligt op ongev. 24 °C.







Opmerking: De lader functioneert niet als de temperatuur van de accu lager is dan ongeveer 10 °C of hoger dan 40 °C.

Laat de accu in dat geval in de lader zitten. De lader wordt automatisch ingeschakeld wanneer de accu de juiste temperatuur heeft.

Opmerking: U kunt maximale prestaties en levensduur van lithium-ion-accu's garanderen door de accu's volledig op te laden voordat u ze voor het eerst in gebruik neemt.

- ◆ Steek de lader (21) in een geschikt stopcontact voordat u de accu (15) plaatst.
- ◆ Het groene laadlampje (21a) zal ononderbroken knipperen ten teken dat de laadprocedure is begonnen.
- ◆ Een volledig opgeladen accu wordt aangegeven door het groene lampje (21a) dat constant AAN blijft. De accu (15) is volledig opgeladen en kan worden gebruikt of kan in de acculader (21) blijven zitten.
- ◆ Laad lege accu's binnen 1 week op. Als u accu's leeg bewaart, loopt de levensduur van de accu's aanzienlijk terug.

Acculader LED-standen

	Bezig met opladen: Groene LED knippert	
	Geheel opgeladen: Groene LED aan	
	Hete/koude accu vertraging: Groene LED knippert Rode LED aan	

Opmerking: De geschikte lader(s) laden niet een kapotte accu op. Gaat de laadindicator niet branden, dan is dat een teken dat de accu kapot is.

Opmerking: Dit kan ook betekenen dat er iets mis is met de lader. Als de lader laat zien dat er een probleem is, laat de lader en de accu dan testen door een geautoriseerd servicecentrum.

De accu in de lader laten zitten

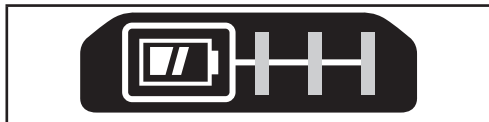
U kunt de accu voor onbepaalde tijd in de lader laten zitten terwijl het LED-lampje brandt. De lader houdt de accu volledig opgeladen.

Hot/Cold Pack Delay (Vertraging Hete/Koude Accu)

Wanneer de lader detecteert dat de accu te koud of te warm is, start de lader automatisch een vertraging hete/koude accu, de groene LED (21a) knippert, terwijl de rode LED (21b) aan blijft, het laadproces wordt uitgesteld tot de accu de juiste temperatuur heeft bereikt. De lader schakelt dan automatisch over op de accu-laadstand. Deze functie waarborgt een maximale levensduur van de accu.

Laadniveau-indicator (Afb. C)

Deze accu is voorzien van een laadniveau-indicator, zodat u snel de laadstatus van de accu kunt zien, zoals afgebeeld in afbeelding B. Door op de laadniveau-knop (15a) te drukken kunt u eenvoudig de resterende lading van de accu zien, zoals afgebeeld in afbeelding C.



De accu plaatsen en verwijderen (Afb D, E)

- ◆ Om de accu (15) te plaatsen, houd u deze op één lijn met het accuvak van het gereedschap (22). Schuif de accu in het vak en duw tot de accu op z'n plaats klikt.
- ◆ Als u de accu wilt verwijderen, drukt u op de vergrendelingsknop van de accu (15b) en trekt u tegelijkertijd de accu uit het accuvak van het gereedschap, zoals afgebeeld in afbeelding E.

Een zaagblad verwisselen of een nieuw zaagblad plaatsen (Afb. G, H, I)

Waarschuwing! Beperk het gevaar op ernstig persoonlijk letsel: zet het gereedschap uit en verwijder de accu voordat u het gereedschap verplaatst, een aanpassing uitvoert of hulpstukken of accessoires verwijdert/installeert. Wanneer het gereedschap per ongeluk wordt gestart, kan dat leiden tot letsel.

Het zaagblad verwijderen

- ◆ Verwijder de accu (15) uit de zaag.
- ◆ Breng de arm in de hoogste stand en haal de onderste beschermkap (4) zo ver mogelijk omhoog.
- ◆ Draai de voorste schroef (24) van de beschermkapbeugel los, maar verwijder de schroef niet, tot u de beugel (25) zo ver omhoog kunt brengen dat u bij de zaagbladschroef (26) kunt komen. De onderste beschermkap blijft omhoog als gevolg van de stand van de schroef van de beschermkapbeugel.
- ◆ Druk de asvergrendelingsknop (28) in terwijl uw voorzichtig het zaagblad (29) met de hand ronddraait tot de vergrendeling ingrijpt.
- ◆ Houd de knop ingedrukt en draai met uw andere hand en de inbuszijde van de meegeleverde steeksleutel de zaagbladschroef los (26). (Naar rechts draaien, linkse draad.)
- ◆ Verwijder de zaagbladschroef (26) met de inbuszijde van de meegeleverde steeksleutel, de buitenste klemring (30) en het zaagblad (29). De binnenste klemring (31) kan op de as (32) blijven zitten.

Een zaagblad plaatsen

- ◆ Verwijder de accu (15) uit de zaag.
- ◆ Plaats met de arm omhoog, de onderste beschermkap (4) geopend en de beschermkapbeugel (25) omhoog, het zaagblad (29) op de as (32) en tegen de binnenste klemring (31) met de tanden van het zaagblad wijzend in de richting van de rotatie, zoals op de zaag is gemarkeerd.
- ◆ Monteer de buitenste klemring (30) op de as (32).
- ◆ Plaats de zaagbladschroef (26) en draai de schroef (26) stevig vast met de bijgeleverde steeksleutel, terwijl u de asvergrendeling (28) vastzet (draai naar links, linkse draad).
- ◆ Breng de beschermkapbeugel (25) weer helemaal naar beneden en zet de schroef (24) van de beschermkapbeugel stevig vast, zodat de beugel op z'n plaats blijft.

Zaagsnede geleidingssysteem

Waarschuwing! Kijk niet in het werklucht. Dit kan tot ernstig oogletsel leiden.

Opmerking: De accu moet worden opgeladen en worden aangesloten op de verstekzaag..

Het zaagsnede geleidingssysteem kan worden In- of Uitgeschakeld met de werkklampschakelaar (16). U kunt langs een bestaande potloodlijn op een stuk hout zagen, schakel het geleidingssysteem in door de werkklampschakelaar (16) in te schakelen (niet met de hoofdschakelaar), en vervolgens de bedieningshendel (2) omlaag te trekken en het zaagblad dicht bij het hout brengen. De schaduw van het zaagblad verschijnt op het hout. Deze schaduwlijn geeft het materiaal weer dat het zaagblad zal verwijderen wanneer een zaagsnede wordt gemaakt.

U kunt uw zaagsnede goed op de potloodlijn plaatsen door de potloodlijn uit te lijnen met de rand van de schaduw van het zaagblad. Bedenk dat u om de potloodlijn nauwkeurig te kunnen volgen, de verstekhoek of de afschuinhoek misschien moet aanpassen.

Uw zaag is voorzien van een storingsfunctie voor de accu. Het werklucht begint te knippen wanneer de accu het einde van zijn bruikbare lading nadert, of wanneer de accu te heet is geworden. Ga pas weer verder met zagen wanneer u de accu hebt opgeladen. Raadpleeg de laadprocedure uit het hoofdstuk belangrijke veiligheidsinstructies voor alle accu's voor instructies voor het laden van de accu.

Afstellen van de verstekhoek (Afb. J)

Met de verstekvergrendelknop (5) en de verstekgrendel (6) kunt u uw zaag in een verstek van 47° rechts en 47° links afstellen. De verstekgrendel zal automatisch ingrijpen op 0°, 15°, 22,5°, 31,6° en 45°, zowel links als rechts.

Verstel de zaag door het verstekmechanisme te ontgrendelen door de verstekvergrendelingsknop (5) linksom te draaien of rechtsom om de zaag te vergrendelen. Trek de verstekgrendelknop (6) omhoog en stel de gewenste verstekhoek in op de verstekschaalverdeling (8). Vergrendel de verstekvergrendelingsknop (5) door deze rechtsom te draaien.

Vergrendelknop voor afschuinhoek (Afb. K)

Met de vergrendeling van de afschuinhoek kunt u de zaag in een verstek van 48° links. Draai de vergrendelknop (12) voor de afschuinhoek los door deze linksom te draaien als u de instelling van de afschuinhoek wilt afstellen. U kunt de vergrendelingsknop voor de afschuinhoek vastzetten door deze naar rechts te draaien.

Let op! Gevaar voor beklemming. Let goed op dat u de afschuinhoek vergrendeling goed vastzet.

Aan/Uit-schakelaar (Afb. L)

U kunt de zaag inschakelen door de hendel voor vergrendeling in de uit-stand (17) naar links te duwen en vervolgens de aan/uit-schakelaar (1) in te drukken. De zaag loopt zolang de schakelaar is ingedrukt. Laat het zaagblad volledig op bedrijfsnelheid komen voordat u de zaagsnede maakt. U kunt het gereedschap uitschakelen door de schakelaar los te laten. Haal pas de zaagkop omhoog als het zaagblad tot stilstand is gekomen. Er is geen voorziening voor het in de aan-stand vergrendelen van de schakelaar. In de aan/uit-schakelaar zit een gat (1a) waarin u een hangslot kunt steken om de zaag in de uit-stand te vergrendelen.

Uw zaag is niet voorzien van een automatische elektrische zaagbladrem, maar het zaagblad moet binnen 5 seconden nadat u de aan/uit-schakelaar hebt losgelaten, stilstaan. U kunt dit niet afstellen. Als de stoptijd herhaaldelijk langer is dan 5 seconden, laat dan het gereedschap nakijken door een geautoriseerd Stanley FatMax-servicecentrum.

Let er altijd op dat u het zaagblad pas uit de zaagsnede haalt wanneer het tot stilstand is gekomen.

Stofafzuiging (Afb. M)

Waarschuwing! Beperk het gevaar op ernstig persoonlijk letsel: zet het gereedschap uit en verwijder de accu voordat u het gereedschap verplaatst, een aanpassing uitvoert of hulpstukken of accessoires verwijderd/installeert. Wanneer het gereedschap per ongeluk wordt gestart, kan dat leiden tot letsel. Uw zaag heeft een ingebouwde stofpoort (14) waarop de meegeleverde stofzak (35) of een stofafzuigstelsel kan worden aangesloten.

De stofzak bevestigen

- ◆ Plaats de stofzak (35) op de stofpoort (14), zoals wordt getoond in Afbeelding M.
- ◆ U kunt ook een stofzuigerslang (38 - niet meegeleverd) op de stofpoort (14) aansluiten in plaats van de stofzak (35).

Dit kunt u doen door de stofzuigerslang (38) aan te sluiten in plaats van de stofzak (35), zie afbeelding M.

- ◆ Gebruik het klittenband (13a) om de stofzuigerslang (38) uit de buurt van de glijdende rails (13) te houden tijdens het gebruik van de zaag.

Opmerking: Het klittenband (13a) is geen handgreep en mag nooit worden gebruikt voor het verplaatsen van de zaag.

De stofzak leegmaken

- ◆ Neem de stofzak (35) los van de zaag en schud en klop de stofzak voorzichtig leeg.
- ◆ Bevestig de stofzak weer op de stofpoort (14).

U zult misschien merken dat niet alle stof uit de stofzak komt. Dit heeft geen gevolgen voor de prestaties van de zaagmachine maar wel voor de doelmatigheid van de stofafzuiging. U kunt de doelmatigheid van de stofverzameling van de zaag herstellen door de veer aan de binnenzijde van de stofzak in te drukken wanneer u de stofzak leegmaakt, en door de zak leeg te kloppen aan de binnenzijde van een afvalcontainer of stofreservoir.

Waarschuwing! Werk nooit met deze zaagmachine als de stofafzuiging niet is bevestigd. Houtstof kan een gevaar voor de ademhaling doen ontstaan.

Zagen met uw zaag

Als u de schuiffunctie niet gebruikt, is het belangrijk dat u de zaagkop zo ver mogelijk naar achteren duwt en dat de knop van de railvergrendeling (18) is vastgezet. Zo voorkomt u dat de zaag langs de rails verschuift wanneer het zaagblad op het werkstuk ingrijpt.

Opmerking: ZAAG GEEN FERROMETAAL OF STENEN MET DEZE ZAAG, NON-FERROMETAAL KUNT U MET DEZE ZAAG ZAGEN. Gebruik geen slijpschijven.

Opmerking: Raadpleeg Activering van de beschermkap en zichtbaarheid in het hoofdstuk Aanpassingen voor belangrijke informatie over de onderste beschermkap, voordat u gaat zagen.

Afkorten (Afb. N)

Een afkortaagsnede wordt gemaakt door hout te zagen dwars op de nerf en in een hoek. Een rechte afkortaagsnede wordt gemaakt met de verstekarm in de nul-gradenstand. Stel de verstekarm in op nul en vergrendel de arm en houd het hout stevig op de tafel en tegen de langsgleiding. Schakel de zaag in terwijl de railvergrendelingsknop (18) is vastgezet door de aan/uit-schakelaar (1) in te knijpen.

Laat, wanneer de zaag op snelheid komt (ongeveer 1 seconde), de arm gelijkmatig en langzaam zakken en zaag door het hout. Haal de arm pas omhoog als het zaagblad volledig tot stilstand is gekomen.

Maak wanneer u iets zaagt dat groter is dan 2 x 4 (51 x 102) een beweging van uit-omlaag-terug met de railvergrendelingsknop (18) losgedraaid. Trek de zaag naar buiten en naar u toe, breng de zaagkop omlaag naar het werkstuk en voltooi de zaagsnede door de zaag langzaam terug te duwen. Laat het zaagblad tijdens het naar buiten trekken niet in contact komen met de bovenzijde van het werkstuk. De zaag kan dan naar u toe komen, wat kan leiden tot persoonlijk letsel en beschadiging van het werkstuk.

Waarschuwing! Gebruik altijd een werkklem zodat u de controle behoudt en het risico van beschadiging van het werkstuk en van persoonlijk letsel wordt beperkt, als u uw handen op een afstand van minder dan 6" (152 mm) van het zaagblad moet houden tijdens het zagen.

Opmerking! De railvergrendelingsknop (18) moet los staan omdat de zaag anders niet langs de rails kan glijden.

Verstekzaagsneden worden gemaakt met de arm in een andere hoek dan nul graden.

Deze hoek is vaak 45° voor het maken van hoeken, maar kan worden ingesteld in iedere stand tussen 47° links of 47° rechts. Maak de zaagsnede zoals hierboven wordt beschreven.

Wanneer u een zaagsnede in verstek uitvoert op werkstukken die breder zijn dan 2 x 6 maar korter in lengte zijn, plaats dan altijd de langere zijde tegen de langsgleiding (Afb. O).

Wanneer u door een bestaande potloodlijn zaagt op een stuk hout, pas de hoek dan zo goed mogelijk aan. Zaag het hout iets te lang af en bepaal in welke richting u de verstekhoek moet aanpassen door de afstand tussen de potloodlijn tot de rand van de zaagsnede te meten, en zaag nogmaals. Dit zal enige oefening vragen, maar het is een veelgebruikte techniek.

Schuine zaagsneden

Een schuine zaagsnede is een afkortzaagsnede met het zaagblad in een hoek ten opzichte van het hout ingesteld. Draai voor het instellen van de schuine hoek de vergrendelknop voor schuine zaagsneden (12) los, en verplaats de zaag naar links. Draai de vergrendelknop stevig vast zodra de gewenste schuine hoek is ingesteld. De hoek voor schuin afkorten kan worden ingesteld van 3° rechts tot 48° links.

Kwaliteit van de zaagsnede

Hoe glad een zaagsnede is, hangt af van een aantal variabelen. Zaken als het materiaal dat wordt gezaagd, het type zaagblad, de scherpte van het zaagblad en de snelheid van het zagen dragen alle bij tot de kwaliteit van de zaagsnede. Wanneer een zo gelijkmatig mogelijke zaagsnede is vereist, voor mallen en ander precisiewerk, zullen een scherp zaagblad (60-tanden carbide tip) en een langzame en gelijkmatige zaagsnelheid de gewenste resultaten geven.

Zorg er vooral voor dat het materiaal niet kan bewegen of opkruipen tijdens het zagen; klem het stevig op z'n plaats vast.

Haal altijd de arm pas omhoog als het zaagblad volledig tot stilstand is gekomen. Als er nog kleine splinters hout aan de achterzijde van het werkstuk uitsteken, plak dan een stuk afdekband op het hout waar de zaagsnede wordt gemaakt. Zaag door de tape heen en verwijder de tape voorzichtig wanneer u klaar bent.

Raadpleeg voor de diverse toepassingen van de zaag de lijst van aanbevolen zaagbladen voor uw zaag en kies er een die het beste aan uw eisen voldoet. Raadpleeg Zaagbladen in het hoofdstuk Als optie verkrijgbare accessoires.

Positie van lichaam en handen (Afb. O1–O4)

Plaats uw lichaam en handen bij het bedienen van de verstekzaag in de juiste positie, dat maakt het zagen gemakkelijker, nauwkeuriger en veiliger. Blijf met uw handen uit de buurt van het zaaggebied. Plaats uw handen niet op een afstand van minder dan 6" (152 mm) van het zaagblad. Houd het werkstuk wanneer u zaagt stevig op de tafel en tegen de langsgleiding. Houd uw handen in die positie totdat de Aan/Uit-schakelaar is vrijgegeven en het zaagblad volledig tot

stilstand is gekomen.

PROBEER ALTIJD EERST ZAAGSNEDEN UIT (ZAAG UITGESCHAKELD) VOORDAT U ZE UITVOERT, ZODAT U HET PAD VAN HET ZAAGBLAD KUNT CONTROLEREN. ZET UW HANDEN NIET KRUISLINGS, ZOALS IN AFBELDING O3 WORDT GETOOND.

Houd uw voeten stevig op de vloer en bewaar goed uw evenwicht. Volg de verstekarm wanneer u deze naar links of naar rechts verplaatst, en sta iets opzij van het zaagblad. Kijk door de openingen in de beschermkap als u een potloodlijn volgt.

Het werkstuk klemmen

Waarschuwing! Beperk het gevaar op ernstig persoonlijk letsel: zet het gereedschap uit en verwijder de accu voordat u het gereedschap verplaatst, een aanpassing uitvoert of hulpstukken of accessoires verwijdert/installeert. Wanneer het gereedschap per ongeluk wordt gestart, kan dat leiden tot letsel.

Waarschuwing! Een werkstuk dat voor een zaagsnede is vastgeklemd, uitgebalanceerd en bevestigd, kan uit balans raken wanneer de zaagsnede is voltooid. Een niet-uitgebalanceerde belasting kan de zaag of alles waar de zaag op is bevestigd, zoals een tafel of een werkbank, doen kantelen. Ondersteun het werkstuk goed wanneer u een zaagsnede maakt die het werkstuk uit de balans kan brengen en zorg ervoor dat de zaag stevig met bouten is vastgezet op een stabiel oppervlak. Persoonlijk letsel kan het gevolg zijn.

Waarschuwing! De klemvoet moet steeds boven de grondplaat van de zaag vastgeklemd blijven, wanneer de klem wordt gebruikt. Klem het werkstuk altijd vast op de grondplaat van de zaag – niet op een ander onderdeel van het werkgebied. Controleer dat de klemvoet niet op de rand van de grondplaat van der zaag is geklemd.

Waarschuwing! Gebruik altijd een werkklem zodat u de controle behoudt en het risico van beschadiging van het werkstuk en van persoonlijk letsel wordt beperkt, als u uw handen op een afstand van minder dan 6" (152 mm) van het zaagblad moet houden tijdens het zagen. Als u niet met de hand het werkstuk op de tafel of tegen de langseleiding kunt vasthouden (onregelmatige vorm, enz.), of uw hand zou dan minder dan 6" (152 mm) van het zaagblad af zijn, moet u een klem of een andere voorziening gebruiken.

Gebruik de materiaalklem die bij uw zaag wordt geleverd. Als u een materiaalklem wilt kopen, neem dan contact op met uw dichtstbijzijnde leverancier of een Stanley Fatmax-servicecentrum.

Andere hulpmiddelen zoals veerklemmen, lijk-klemmen of klemschroeven kunnen waarschijnlijk goed van pas komen bij materiaal van bepaalde afmetingen en vormen. Ga voorzichtig te werk bij het kiezen en plaatsen van deze klemmen. Neem de tijd om de zaagsnede uit te proberen voordat u gaat zagen.

Een klem plaatsen (Afb. P)

- ◆ Steek de klem (37) in het gat (19) achter de langseleiding. De klem moet naar de achterzijde van de verstekzaag wijzen. De groef op de klemstang moet geheel in de grondplaat worden gestoken. Controleer dat deze groef volledig in de grondplaat van de verstekzaag is gestoken. Als de groef zichtbaar is, zit de klem niet goed vast.
- ◆ Draai de klem 180° naar de voorzijde van de verstekzaag.
- ◆ Draai de knop los zodat u de klem omhoog en omlaag kunt aanpassen, stel vervolgens de klem nauwkeurig af op het werkstuk door middel van de fijnafstellingsknop.

Opmerking: Plaats de klem op de tegenovergestelde zijde van de grondplaat bij het schuin afzagen. **PROBEER ALTIJD EERST ZAAGSNEDEN UIT (ZAAG UITGESCHAKELD) VOORDAT U ZE UITVOERT, ZODAT U HET PAD VAN HET ZAAGBLAD KUNT CONTROLEREN. CONTROLEER DAT DE KLEM NIET DE WERKING VAN DE ZAAG OF DE BESCHERMKAP VERHINDERT.**

Aanpassingen

Uw verstekzaag is in de fabriek ten tijde van de productie volledig en nauwkeurig afgesteld. Als ten gevolge van het vervoer, van werkzaamheden of een andere oorzaak een nieuwe afstelling nodig is, volg dan onderstaande instructies voor het afstellen van uw zaag.

Wanneer deze aanpassingen zijn uitgevoerd, zouden zij nauwkeurig moeten blijven. Neem nu even de tijd deze instructies nauwgezet op te volgen, zodat de nauwkeurigheid waartoe uw zaag in staat is, is gegarandeerd.

Aanpassing van de afkorthoek (Afb. Q1)

Vergrendel de arm in de omlaag-positie. Ontgrendel de verstekvergrendeling (5) en draai de verstekarm tot de verstekgrendelknop (6) wordt vergrendeld in de verstekstand voor 0°. Vergrendel de knop voor de verstekvergrendeling niet. Plaats een winkelhaak tegen de langseleiding van de zaag en het zaagblad, zoals wordt getoond. (Raak de punten van de tanden van het zaagblad niet met de winkelhaak aan. Als u dat doet zal dat leiden tot een onnauwkeurige meting.) Als het zaagblad niet haaks op de langseleiding staat, draai de langseleiding dan los en verplaats deze tot het zaagblad haaks op de langseleiding staat, dit kunt u meten met de winkelhaak. Let op dat moment niet op de uitlezing van de verstekaanwijzer.

Afschuinhoek haaks op de tafel uitlijnen (Afb. Q2)

U kunt het zaagblad haaks op het tafelblad uitlijnen door de arm in de neerwaartse positie te vergrendelen met behulp van de vergrendelpen (20). Plaats een winkelhaak tegen het zaagblad, let op dat de haak niet boven op een tand staat. Draai de vergrendelknop voor de afschuinhoek (5) los en zorg ervoor dat de arm stevig tegen de 0° afschuinstop staat. Draai de 0° stelschroef voor het afschuinen met een 1/2" (12,7 mm) dopsleutel (niet meegeleverd) tot het zaagblad op 0° staat ten opzichte van de tafel, gemeten met een winkelhaak.

Activering van de beschermkap en zichtbaarheid (Afb. V)

Waarschuwing! Gevaar voor beklemming. Beperk het risico van letsel, houd uw duim onder de bedieningshendel, wanneer u de hendel omlaag trekt. De onderste beschermkap zal omhoog bewegen wanneer u de bedieningshendel naar beneden trekt, en daardoor kunt u zich klemmen. De onderste beschermkap (4) is ontworpen voor het automatisch vrijgeven van het zaagblad wanneer de arm omlaag wordt gebracht en het bedekken van de arm wanneer de arm omhoog wordt gehaald. Laat de arm na ieder gebruik of na het uitvoeren van aanpassingen (zonder aandrijving van de zaag) een gehele cyclus doorlopen en controleer dat de beschermkap gelijkmatig opent en geheel sluit. De kap mag niet aanraking met het zaagblad komen. Haal met de arm omhoog de beschermkap omhoog (zaag uitgeschakeld), zoals wordt getoond in Afbeelding V en laat de arm weer los. De beschermkap moet snel volledig sluiten. Gebruik de zaag niet als de beschermkap niet vrij beweegt en zich niet snel sluit. Zet de beschermkap nooit vast met een klem of met iets anders, in een geopende stand, wanneer u met de zaag werkt.

U kunt de beschermkap met de hand omhoog brengen wanneer u zaagbladen monteert of verwijdert of als u de zaag wilt inspecteren.

BRENG DE ONDERSTE BESCHERMKAP NOOIT MET DE HAND OMHOOG ALS HET ZAAGBLAD NIET STILSTAAT.

Opmerking: Bij speciale zaagsneden in omvangrijk materiaal zal het nodig zijn dat u de beschermkap met de hand omhoog brengt. Raadpleeg Groot materiaal zagen in het hoofdstuk Speciale Zaagsneden.

Het voorste gedeelte van de beschermkap heeft langwerpige openingen, zodat u beter zicht hebt tijdens het zagen. De lamellen in de beschermkap verminderen het rondvliegen van houtresten aanzienlijk, maar er zitten openingen in de beschermkap daarom moet u te allen tijde een veiligheidsbril dragen.

Rails

Controleer de rails (13) regelmatig op speling of ruimte. U kunt de rails schoonmaken met een schone droge doek.

Het zagen van schilderlijsten, kleine vitrines en andere vierzijdige werkstukken (Afb. R1, R2)

Als u goed wilt begrijpen hoe u de artikelen die hier worden genoemd, kunt maken, stellen wij voor te proberen enkele eenvoudige projecten uit te voeren met afvalhout, totdat u het werken met de zaag "in uw vingers krijgt".

Uw zaag is het perfecte gereedschap voor het in verstek zagen van hoeken, zoals afgebeeld in Afbeelding R1. Tekening A in Afbeelding R2 toont een houtverbinding die is gemaakt met de afschuinafstelling voor het in verstek zagen van de randen van twee plaatjes hout in hoeken van elk 45°, voor een hoek van 90°. Voor deze verbinding is de verstekarm vergrendeld in de nulpositie en is de afschuinafstelling vergrendeld op 45°. Het hout is met de brede vlakke zijde tegen de tafel geplaatst en de smalle rand tegen de langsgleiding. Dezelfde zaagsnede kan worden gemaakt door links en rechts verstek te zagen met de brede zijde tegen de langsgleiding.

Sierlijsten en andere lijsten zagen (Afb. R2)

Tekening B in Afbeelding R2 toont een verbinding die is gemaakt door de verstekarm op 45° te plaatsen en de twee platen in verstek te zagen, zodat een hoek van 90° ontstaat. U kunt dit type verbinding maken door de afschuinaanpassing op nul te stellen en de verstekarm op 45°. Plaats het hout weer met de brede vlakke zijde op de tafel en met de smalle zijde tegen de langsgleiding. Afbeeldingen R1 en R2 zijn alleen voor voorwerpen met vier zijden. Verandert het aantal zijden, dan veranderen ook de verstekhoeken en de afschuinhoeken. Onderstaande grafiek geeft de juiste instellingen voor het zagen van een uiteenlopende reeks vormen.

Voorbeelden

Aantal zijden	Verstekhoek of afschuinhoek
4	45°
5	36°
6	30°
7	25,7°
8	22,5°
9	20°
10	18°

In de grafiek wordt ervan uitgegaan dat alle zijden een gelijke lengte hebben. Gebruik voor een vorm die niet in de grafiek wordt getoond, de volgende formule: 180° gedeeld door het aantal zijden is gelijk aan het verstek (als het materiaal verticaal wordt gezaagd) of de afschuinhoek (als het materiaal vlak wordt gezaagd).

Samengesteld verstek zagen (Afb. R3)

Een samengesteld verstek is een zaagsnede die wordt gemaakt door een verstekhoek en een afschuinhoek tegelijkertijd toe te passen. Dit is het type zaagsnede dat wordt gebruikt voor het maken van lijsten of kisten met schuine zijden, zoals afgebeeld in afbeelding R3.

Opmerking: Als de zaaghoek verandert van zaagsnede tot zaagsnede, controleer dan dat de vergrendelknop van de afschuinhoek en de handgreep voor de verstekvergrendeling stevig zijn vergrendeld. Deze moeten worden vergrendeld nadat u veranderingen hebt aangebracht in de afschuinhoek of het verstek. De tabel aan het einde van deze handleiding (Tabel 1) helpt u met het kiezen van de juiste afschuinhoek en instellingen van het verstek voor veelgebruikte samengestelde verstekzaagsneden. Selecteer de gewenste hoek A (Afb. R3) van uw project en zoek deze hoek op de bijbehorende parabool in de tabel. Volg vanaf dat punt de grafiek recht naar beneden en kijk wat de juiste afschuinhoek is en vind in een rechte lijn ook de juiste verstekhoek. Stel uw zaag af op de voorgeschreven hoeken en maak een aantal proef zaagsneden. Oefen met het in elkaar passen van de stukken totdat u deze procedure in uw vingers krijgt.

Voorbeeld: Als u een 4-zijdige kist wilt maken met buitenhoeken van 26° (Hoek A, Afb. R3), gebruik dan de parabool rechts boven. Zoek waar zich 26° bevindt op de schaalverdeling. Volg de horizontale snijdende lijn naar beide zijden voor een instelling van de verstekhoek op de zaag (42°). Volg op dezelfde wijze de verticale snijdende lijn naar de bovenzijde of de onderzijde voor de instelling van de afschuinhoek van de zaag (18°). Probeer altijd de zaagsneden uit op wat afvalhout zodat u de instellingen van de zaag kunt controleren.

Sierplinten zagen (Afb. S)

Rechte zaagsneden van 90°:

Plaats het hout tegen de langsgleiding en houd het op z'n plaats, zoals afgebeeld in Afbeelding S. Schakel de zaag in en laat het zaagblad volledig op snelheid komen, laat de arm daarna gelijkmatig zakken door de zaagsnede.

Sierplinten zagen tot 3,5" (90 mm) hoog verticaal tegen de langsgleiding

Plaats het materiaal zoals afgebeeld in afbeelding S. Alle zaagsneden moeten worden gemaakt met de achterzijde van de sierplint tegen de langsgleiding en met de onderzijde van de sierplint tegen de tafel.

	Binnenhoek	Buitenhoek
Linkerzijde	Verstek links 45° Behalve linkerzijde van zaagsnede	Verstek rechts 45° Behalve linkerzijde van zaagsnede
Rechterzijde	Verstek rechts 45° Behalve rechterzijde van zaagsnede	Verstek links 45° Behalve rechterzijde van zaagsnede

Materiaal tot 3,5" (90 mm) kan worden gezaagd zoals hierboven wordt beschreven.

Kroonlijsten zagen

Kroonlijsten passen alleen goed als zij met uiterste precisie in samengesteld verstek worden gezaagd.

De twee oppervlakken op een gegeven stuk kroonlijst hebben een hoek, die bij samenvoeging precies 90° vormt. De meeste, maar niet alle, kroonlijsten hebben een bovenhoek achter (het deel dat plat tegen het plafond past) van 52° en onderhoek achter (het deel dat tegen de wand past) van 38°. Uw verstekzaag heeft speciale vaste vooringestelde verstekpunten op 31,6° links en rechts voor het zagen van kroonlijsten in de juiste hoek. Er is ook een merkteken op de schaalverdeling voor een afschuinhoek op 33,8°.

De grafiek Afschuinhoekinstelling/Type Zaagsnede geeft de juiste instellingen voor het zagen van kroonlijsten. (De getallen voor de instellingen van verstekhoek en afschuinhoek zijn zeer precies en het is niet gemakkelijk deze nauwkeurig op uw zaag in te stellen.) Aangezien de hoeken van de meeste vertrekken niet precies 90° zijn, moet u toch uw instellingen nauwkeurig afstellen.

Instructies voor het zagen van kroonlijsten die vlak liggen en de functies voor samengesteld verstek gebruiken

- ◆ Leg de kroonlijst met de brede achterzijde vlak op de zaagtafel (36) (Afb. T1).
- ◆ De instellingen hieronder zijn voor alle standaard kroonlijsten met hoeken van 52° en 38°.

Afschuinhoek instellen	Type zaagsnede
33,8°	LINKERZIJDE, BINNENHOEK: 1. Bovenzijde van kroonlijst tegen langsgleiding 2. Verstektafel ingesteld rechts 31,62° 3. Behalve linker uiteinde van zaagsnede
33,8°	RECHTERZIJDE, BINNENHOEK: 1. Onderzijde van kroonlijst tegen langsgleiding 2. Verstektafel ingesteld links 31,62° 3. Behalve linker uiteinde van zaagsnede
33,8°	LINKERZIJDE, BUITENHOEK: 1. Onderzijde van kroonlijst tegen langsgleiding 2. Verstektafel ingesteld links 31,62° 3. Behalve rechter uiteinde van zaagsnede
33,8°	RECHTERZIJDE, BUITENHOEK: 1. Bovenzijde van kroonlijst tegen langsgleiding 2. Verstektafel ingesteld rechts 31,62° 3. Behalve rechter uiteinde van zaagsnede

Opmerking: Denk er bij het instellen van de hoeken voor afschuinen en verstek aan dat de hoeken die worden weergegeven voor kroonlijsten zeer precies zijn en moeilijk nauwkeurig zijn in te stellen. Aangezien zij gemakkelijk wat kunnen verschuiven en er maar heel weinig vertrekken zijn die precies rechte hoeken hebben, moeten alle instellingen op een stuk afvalmateriaal worden getest.

Alternatieve methode voor het zagen van kroonlijsten

Plaats de kroonlijst met een hoek tussen de langsgleiding (11) en de zaagtafel (36), met de bovenkant van de kroonlijst tegen de zaagtafel en de onderkant tegen de langsgleiding, zoals afgebeeld in afbeelding T1.

Het voordeel van het volgens deze methode zagen van kroonlijsten is dat er geen schuine zaagsnede nodig is. Er kunnen zeer kleine veranderingen in de verstekhoek worden aangebracht zonder gevolgen voor de afschuinhoek. Op deze manier kan voor andere hoeken dan hoeken van 90° de zaag snel en gemakkelijk worden aangepast.

Instructies voor het zagen van kroonlijsten onder een hoek tussen de langsgleiding en de grondplaat voor alle zaagsneden

Deze zaag kan kroonlijsten van 9/16" (14 mm) x 3-5/8" (92 mm) zagen.

- ◆ Leg de kroonlijst zo neer dat de onderzijde van de kroonlijst (het gedeelte dat tegen de wand uitkomt) tegen de langsgleiding ligt (11) en de bovenzijde van de kroonlijst op de zaagtafel (36) rust, zoals afgebeeld in afbeelding T2.

- ◆ De gehoekte "vlakke gedeelten" aan de achterzijde van de kroonlijst moeten recht tegen de langsgleiding van de zaagtafel (36) liggen.

	Binnenhoek	Buitenhoek
Linkerzijde	Verstek rechts op 45° Behalve rechterzijde van zaagsnede	Verstek links op 45° Behalve rechterzijde van zaagsnede
Rechterzijde	Verstek links op 45° Behalve linkerzijde van zaagsnede	Verstek rechts op 45° Behalve linkerzijde van zaagsnede

Speciale zaagsneden

Maak nooit een zaagsnede als het materiaal niet stevig vastligt op de tafel en tegen de langsgleiding.

Gebogen Materiaal (Afb. U1, U2)

Wanneer u gebogen materiaal zaagt, moet u het altijd plaatsen zoals wordt getoond in afbeelding U1 en nooit zoals wordt getoond in afbeelding U2. Wanneer u het materiaal niet goed plaatst zal dat ertoe leiden dat het zaagblad aan het einde vastloopt.

Rond materiaal zagen

Rond materiaal moet tegen de langsgleiding worden geklemd of gehouden zodat het niet kan weggrollen. Dit is uiterst belangrijk wanneer u zaagsnede onder een hoek maakt.

Groot materiaal zagen (Afb. V)

Zo nu en dan zult u een stuk hout willen zagen dat iets te groot is en niet onder de onderste beschermkap past. Als u de beschermkap over het hout wilt zetten, schakel dan de zaag uit en plaats uw rechterhand op de bedieningshandgreep, uw rechter duim buiten het bovengedeelte van de beschermkap en rol de beschermkap net vrij van het hout, zoals afgebeeld in Afbeelding V. Laat de beschermkap los voordat u de motor start. Het beschermingsmechanisme zal goed functioneren tijdens het zagen. Doe dit alleen wanneer het nodig is. **MAAK DE BESCHERMKAP NOOIT VAST MET TAPE OF WAT DAN OOK, WANNEER U MET DEZE ZAAG WERKT.**

Onderhoud

Waarschuwing! Beperk het gevaar op ernstig persoonlijk letsel: zet het gereedschap uit en verwijder de accu voordat u het gereedschap verplaatst, een aanpassing uitvoert of hulpstukken of accessoires verwijdert/installeert. Wanneer het gereedschap per ongeluk wordt gestart, kan dat leiden tot letsel.

Waarschuwing! Beperk het risico van ernstig persoonlijk letsel, raak NOOIT de scherpe punten van het zaagblad aan met uw vingers of handen tijdens het uitvoeren van onderhoudswerkzaamheden.

Gebruik GEEN smeermiddelen of reinigingsmiddelen (vooral niet in spuitbussen) in de buurt van de kunststof beschermkap. Het polycarbonaat materiaal dat in de beschermkap wordt gebruikt, kan door bepaalde chemicaliën worden aangetast.

- ◆ Alle lagers zijn afgesloten. Ze zijn gesmeerd voor de totale levensduur en vereisen geen onderhoud.
- ◆ Verwijder zo nu en dan alle stof- en houtdeeltjes bij EN ONDER de basisplaat en het draaiplateau. Ook al is de zaag voorzien van gaten zodat het stof er door kan, is het toch mogelijk dat stof zich ophoopt.
- ◆ De borstels zijn ontworpen voor een aantal gebruiksjaren. Als ze moeten worden vervangen, breng het gereedschap dan naar uw dichtstbijzijnde servicecentrum.

Problemen oplossen

Probleem	Mogelijke oorzaak	Oplossing
Zaag start niet.	De accu is niet geplaatst.	Plaats de accu. Raadpleeg Accu plaatsen en verwijderen.
	Accu is niet opgeladen.	Laad de accu op. Raadpleeg Oplaadprocedure.
	Koolborstels zijn versleten	Laat door een geautoriseerd servicecentrum de koolborstels vervangen.
De zaag maakt zaagsneden waarmee u niet tevreden bent.	Bot zaagblad.	Vervang zaagblad. Raadpleeg Een zaagblad verwisselen of een nieuw zaagblad plaatsen.
	Zaagblad achterstevoren gemonteerd.	Draai het zaagblad om. Raadpleeg Een zaagblad verwisselen of een nieuw zaagblad plaatsen.
	Lijm of teer op het zaagblad.	Neem het zaagblad los en reinig het met grof staalwol en terpentijn of met een ovenreiniger.
Onjuist zaagblad voor het werk dat u aan het doen bent.		Vervang het zaagblad door een zaagblad van een ander type.
	De werklamp knippert.	De accu is niet opgeladen
Machine trilt heel erg.	Zaag niet stevig gemonteerd op standaard of werkbank.	Zet alle bevestigingsmateriaal goed vast. Raadpleeg Montage op werkbank
	Standaard of werkbank staat op een ongelijke vloer.	Plaats de standaard of werkbank op een vlak, waterpas oppervlak.
	Beschadigd zaagblad.	Vervang zaagblad. Raadpleeg Een zaagblad verwisselen of een nieuw zaagblad plaatsen.

Probleem	Mogelijke oorzaak	Oplissing
Maakt geen nauwkeurige zaagsneden in verstek.	Verstekschaalverdeling is niet goed afgesteld.	Controleer en stel af. Raadpleeg Afstelling van de schaalverdeling voor verstekzagen in hoofdstuk Aanpassingen.
	Zaagblad staat niet haaks op de langseleiding.	Controleer en stel af. Raadpleeg Afstelling van de schaalverdeling voor verstekzagen in hoofdstuk Aanpassingen.
	Zaagblad staat niet haaks op de tafel.	Controleer en stel af. Raadpleeg Afschuinhoek haaks op de tafel uitlijnen in hoofdstuk Aanpassingen.
	Het werkstuk beweegt	Klem het werkstuk stevig vast op de langseleiding of lijm schuurpapier 120 met rubbercement op de langseleiding.
	Zaagplaat versleten of beschadigd.	Breng de zaag naar een erkend servicecentrum.
Materiaal klemt het zaagblad.	Gebogen materiaal zagen.	Raadpleeg Gebogen materiaal in hoofdstuk Speciale Zaagsneden.

Accu		SFMCB201	SFMCB202	SFMCB204	SFMCB206
Spanning	V _{DC}	18	18	18	18
Capaciteit	Ah	1,5	2,0	4,0	6,0
Type		Li-Ion	Li-Ion	Li-Ion	Li-Ion

Lader		SFMCB11	SFMCB12	SFMCB14
Ingangsspanning	V _{AC}	230	230	230
Uitgangsspanning	V _{DC}	18	18	18
Laadstroom	A	1,25	2	4

Geluidsrukniveau, volgens EN 62841:	
L _{DA} (geluidsdruk) 83,0 dB(A), meetonzekerheid (K) 3 dB(A)	
L _{WA} (geluidsvermogen) 94,5 dB(A), meetonzekerheid (K) 3 dB(A)	

Bescherming van het milieu



Gescheiden afvalinzameling. Producten en accu's die zijn voorzien van dit symbool mogen niet worden weggegooid bij het normale huishoudafval.

Producten en accu's bevatten materialen die kunnen worden herwonnen en gerecycled waardoor de vraag naar grondstoffen afneemt. Recycle elektrische producten en accu's volgens de ter plaatse geldende voorschriften. Nadere informatie is beschikbaar op www.2helpU.com

Technische gegevens

SFMC5701 (H1)			
Spanning	V		18
Snelheid	/min		3.800
Zaagblad buitendiameter	mm		190
Asgat diameter	mm		16
Zaagblad max. zaagplaat	mm		1,8
Gewicht zonder accu	kg		10
Dikte zaagblad	mm		1,0
Verstek (max. posities)	°		47
Afschuinen (max. posities)	°		47
0 graden verstek	horizontaal	mm	50 x 216
	verticaal	mm	90 x 15
45 graden verstek rechts	horizontaal	mm	50 x 152
	verticaal	mm	90 x 15
45 graden verstek links	horizontaal	mm	50 x 152
	verticaal	mm	90 x 15
45 graden afschuinen links	horizontaal	mm	50 x 152
	verticaal	mm	50 x 15

EG-verklaring van overeenstemming RICHTLIJN VOOR MACHINES



SFMC5701 Telescopische afkort- en verstekzaag

Stanley Europa verklaart dat deze producten die worden beschreven onder "technische gegevens" voldoen aan: EN62841-1:2015, EN62841-3-9:2015+A11:2017

Deze producten voldoen ook aan Richtlijn 2006/42/EC, 2014/30/EU en 2011/65/EU.

Neem voor meer informatie contact op met STANLEY FATMAX op het volgende adres, of kijk op de achterkant van deze handleiding.

De ondergetekende is verantwoordelijk voor de samenstelling van het technische bestand en legt deze verklaring af namens STANLEY FATMAX.

Ed Higgins
Director – Consumer Power Tools
Stanley Europe, Egide Walschaertsstraat14-18,
2800 Mechelen, België
08/05/2020

Garantie

Stanley Europe heeft vertrouwen in zijn producten en biedt consumenten een garantie van 12 maanden vanaf de datum van aankoop. Deze garantie is een aanvulling op uw wettelijke rechten en maakt op geen enkele wijze inbreuk daarop. De garantie is geldig binnen het grondgebied van de Lidstaten van de Europese Unie en de Europese Vrijhandelszone.

Voor een garantie-aanspraak moet uw aanspraak in overeenstemming zijn met de STANLEY FATMAX garantievoorwaarden en moet u een bewijs van aankoop overleggen aan de verkoper of een geautoriseerde reparatiemonteur. De garantievoorwaarden van de Stanley Europe 1-jarige garantie en het adres van een geautoriseerde reparatiemonteur bij u in de buurt, kunt u vinden op www.2helpU.com, of door contact op te nemen met het Stanley Europe kantoor bij u in de buurt, het adres staat in deze handleiding vermeld.

Bezoek onze website www.stanley.eu/3 om uw nieuwe STANLEY FATMAX product te registreren, zodat u updates over nieuwe producten en speciale aanbiedingen kunt ontvangen.

ESPAÑOL

(Traducción de las instrucciones originales)

Uso previsto

La sierra ingletadora compuesta deslizando SFMCS701 de STANLEY FATMAX ha sido diseñada para aserrar únicamente madera, plástico y metales no ferrosos. Esta herramienta está pensada para usuarios profesionales y para usuarios no profesionales.

Instrucciones de seguridad

Advertencias de seguridad generales para herramientas eléctricas



¡Advertencia! Lea todas las advertencias de seguridad, instrucciones, ilustraciones y especificaciones suministradas con la herramienta eléctrica. El incumplimiento de las advertencias e instrucciones que aparecen a continuación podría provocar una descarga eléctrica, un incendio y/o lesiones graves.

Guarde todas las advertencias e instrucciones para poder consultarlas con posterioridad. El término "herramienta eléctrica" que aparece en todas las advertencias que aparecen a continuación se refiere a la herramienta eléctrica que funciona a través de la red eléctrica (con cable) o a la herramienta eléctrica que funciona con batería (sin cable).

1. Seguridad en la zona de trabajo

- a. Mantenga limpia y bien iluminada el área de trabajo.

- Las áreas en desorden u oscuras pueden provocar accidentes.
- b. **No utilice herramientas eléctricas en atmósferas explosivas tales como aquellas en las que haya líquidos, gases o polvos inflamables.** Las herramientas eléctricas originan chispas que pueden inflamar el polvo o los gases.
- c. **Mantenga alejados a los niños y a otras personas del área de trabajo al emplear la herramienta eléctrica.** Las distracciones pueden ocasionar que pierda el control.

2. Seguridad eléctrica

- a. **El enchufe de la herramienta eléctrica debe corresponder a la toma de corriente. No modifique nunca el enchufe de ninguna forma. No utilice ningún enchufe adaptador con herramientas eléctricas conectadas a tierra (a masa).** Los enchufes no modificados y las tomas de corriente correspondientes reducirán el riesgo de descarga eléctrica.
- b. **Evite que su cuerpo toque partes conectadas a tierra como tuberías, radiadores, cocinas y refrigeradores.** Existe un mayor riesgo de descarga eléctrica si su propio cuerpo está conectado a tierra.
- c. **No exponga las herramientas eléctricas a la lluvia y evite que penetren líquidos en su interior.** Si entra agua en una herramienta eléctrica, aumenta el riesgo de descarga eléctrica.
- d. **Cuide el cable de alimentación. No use nunca el cable para transportar, tirar de la herramienta eléctrica o desenchufarla. Mantenga el cable alejado del calor, aceite, bordes afilados y piezas en movimiento.** Los cables dañados o enredados aumentan el riesgo de descarga eléctrica.
- e. **Al trabajar con la herramienta eléctrica en la intemperie utilice solamente cables de prolongación homologados para su uso en exteriores.** La utilización de un cable adecuado para el uso en exteriores reduce el riesgo de descarga eléctrica.
- f. **Si la utilización de una herramienta eléctrica en un lugar húmedo es inevitable, utilice una fuente protegida con un dispositivo diferencial residual (DDR).** El uso de un dispositivo de corriente residual reduce el riesgo de descarga eléctrica.

3. Seguridad personal

- a. **Esté atento a lo que hace y emplee la herramienta eléctrica con prudencia. No maneje una herramienta eléctrica cuando esté cansado o bajo los efectos de drogas, medicamentos o alcohol.** Un momento de desatención cuando se manejan las herramientas eléctricas puede ocasionar lesiones personales graves.
- b. **Utilice un equipo de protección personal. Utilice siempre protección ocular.**

El uso del equipo protector, como mascarillas antipolvo, calzado antideslizante, casco o protección auditiva para condiciones apropiadas, reducirá las lesiones personales.

- c. **Impida que la herramienta se ponga en marcha accidentalmente. Asegúrese de que el interruptor esté en posición de apagado antes de conectar con la fuente de alimentación y/o la batería, de levantar o transportar la herramienta.** El transportar herramientas eléctricas con el dedo puesto en el interruptor o herramientas eléctricas activadoras que tengan el interruptor encendido puede provocar accidentes.
 - d. **Retire las herramientas de ajuste o llaves fijas antes de conectar la herramienta eléctrica.** Una llave inglesa u otra llave que se deje puesta en una pieza en movimiento de la herramienta eléctrica pueden ocasionar lesiones personales.
 - e. **Sea precavido. Mantenga un equilibrio adecuado y la estabilidad constantemente.** Esto permite un mejor control de la herramienta eléctrica en situaciones inesperadas.
 - f. **Lleve puesta una vestimenta de trabajo adecuada. No se ponga ropa suelta o joyas. Mantenga el cabello, la ropa y los guantes alejados de las piezas en movimiento.** La ropa suelta, las joyas y el pelo largo pueden quedar atrapados en las piezas en movimiento.
 - g. **Siempre que sea posible utilice unos equipos de aspiración o captación de polvo, asegúrese de que estén montados y se utilicen correctamente.** El uso de equipo de recogida de polvo puede reducir los riesgos relacionados con el polvo.
 - h. **No deje que la familiaridad adquirida con el uso frecuente de las herramientas le lleve a fiarse demasiado y a descuidar las principales normas de seguridad de la herramienta.** Los descuidos pueden causar lesiones graves en una fracción de segundo.
4. **Uso y cuidado de la herramienta eléctrica**
 - a. **No sobrecargue la herramienta eléctrica. Use la herramienta eléctrica correcta para su trabajo.** La herramienta eléctrica correcta funcionará mejor y con mayor seguridad si se utiliza de acuerdo con sus características técnicas.
 - b. **No utilice herramientas eléctricas con un interruptor defectuoso.** Toda herramienta eléctrica que no pueda controlarse con el interruptor es peligrosa y debe ser reparada.
 - c. **Desconecte el conector de la herramienta eléctrica de la fuente de alimentación y la batería antes de realizar cualquier ajuste, cambiar accesorios o guardar la herramienta.** Dichas medidas de seguridad preventivas reducen el riesgo de poner en marcha accidentalmente la herramienta eléctrica.
 - d. **Guarde las herramientas eléctricas fuera del alcance de los niños y de las personas que no estén familiarizadas con su uso.** Las herramientas eléctricas son peligrosas en manos de personas no capacitadas.
 - e. **Efectúe el mantenimiento de las herramientas eléctricas y de los accesorios. Compruebe si hay desalineación o bloqueo de las piezas en movimiento, rotura de piezas y otras condiciones que puedan afectar el funcionamiento de la herramienta eléctrica. Si la herramienta eléctrica está dañada, llévela a reparar antes de utilizarla.** Muchos accidentes se ocasionan por el incorrecto mantenimiento de las herramientas eléctricas.
 - f. **Mantenga las herramientas de corte limpias y afiladas.** Hay menos probabilidad de que las herramientas para cortar con bordes afilados se bloqueen y son más fáciles de controlar.
 - g. **Utilice la herramienta eléctrica, los accesorios, los útiles de la herramienta, etc. de acuerdo con estas instrucciones, y tenga en cuenta las condiciones de trabajo y la tarea que va a realizar.** El uso de la herramienta eléctrica para operaciones que no sean las previstas puede ocasionar una situación peligrosa.
 - h. **Mantenga todas las empuñaduras y superficies de agarre secas, limpias y libres de aceite y grasa.** Las empuñaduras resbalosas y las superficies grasosas impiden el agarre y el control seguro de la herramienta en situaciones imprevistas.
 5. **Uso y cuidado de la herramienta con pilas**
 - a. **Recárguela solo con el cargador especificado por el fabricante.** Un cargador adecuado para un tipo de batería puede causar riesgos de incendio al ser utilizado con otra batería.
 - b. **Utilice las herramientas eléctricas solamente con las baterías recomendadas.** El uso de otras baterías puede suponer un riesgo de incendio y lesiones.
 - c. **Cuando no utilice la batería, manténgala alejada de objetos de metal como clips para papel, monedas, llaves, clavos, tornillos y otros pequeños objetos metálicos que pueden realizar una conexión de un terminal a otro.** Si provoca un cortocircuito entre los terminales de la batería, puede ocasionar un incendio o sufrir quemaduras.
 - d. **En caso de uso abusivo puede salir líquido de la batería, evite el contacto. Si se produce un contacto accidental, lávese con agua. Si el líquido entra en contacto con los ojos, busque atención médica de inmediato.** El líquido expulsado por la batería podrá provocar irritaciones o quemaduras.
 - e. **No utilice baterías o herramientas dañadas o modificadas.**

Las baterías dañadas o modificadas pueden presentar un funcionamiento imprevisto y causar incendio, explosión o riesgo de lesiones.

- f. **No exponga la batería o la herramienta al fuego o a temperaturas excesivas.** La exposición al fuego o a una temperatura superior a 130 °C puede causar explosión.
- g. **Siga todas las instrucciones de carga y no cargue la batería o la herramienta fuera del rango de temperatura indicado en las instrucciones.** La carga incorrecta o a temperaturas fuera del rango especificado puede dañar la batería y aumentar el riesgo de incendio.

6. Servicio

- a. **Esta herramienta eléctrica puede ser reparada solo por personal técnico autorizado que emplee exclusivamente piezas de repuesto originales.** Esto le asegurará el mantenimiento de la seguridad de la herramienta eléctrica.
- b. **No repare nunca las baterías dañadas.** La reparación de las baterías debe ser realizada únicamente por el fabricante o los proveedores de servicios autorizados.

Instrucciones de seguridad para sierras ingletadoras

- ◆ **Las sierras ingletadoras han sido diseñadas para cortar madera o sucedáneos de la madera y no pueden utilizarse con discos de corte abrasivos para cortar materiales ferrosos tales como barras, varillas, espárragos, etc.**

El polvo abrasivo hace que las piezas móviles, como el protector inferior, se atasquen. Las chispas del corte abrasivo queman el protector inferior, el inserto de entalladura y otras piezas plásticas.

- ◆ **Utilice mordazas para fijar la pieza cuando sea posible. Si sostiene la pieza de trabajo a mano, siempre tiene que mantener la mano a por lo menos 100 mm a cada lado de la hoja de la sierra. No use esta sierra para cortar piezas demasiado pequeñas para ser firmemente sujetadas o sostenidas con la mano.** Si coloca la mano demasiado cerca de la hoja de la sierra, existe mayor riesgo de lesiones por contacto con la hoja.
- ◆ **La pieza de trabajo debe estar inmóvil y sujeta o retenida contra el tope-guía y la mesa. No alimente la pieza de trabajo hacia la hoja ni corte "a mano alzada" en ningún caso.** Las piezas de trabajo sin sujeción o en movimiento pueden ser lanzadas a gran velocidad, causando lesiones.
- ◆ **Empujar la sierra a través de la pieza de trabajo. No empuje la sierra a través de la pieza de trabajo.**

Para hacer un corte, levante la cabeza de la sierra y tire de ella a lo largo de la pieza de trabajo sin cortar, arranque el motor, presione la cabeza de la sierra hacia abajo y empuje la sierra a través de la pieza de trabajo.

Es probable que el corte a tracción haga que la hoja de la sierra se suba a la parte superior de la pieza de trabajo y lance violentamente el conjunto de la hoja hacia el operador.

- ◆ **Nunca cruce la mano por encima de la línea de corte prevista, ni delante ni detrás de la hoja de la sierra.** Sostener la pieza de trabajo "con las manos cruzadas", es decir, sosteniendo la pieza de trabajo a la derecha de la hoja de la sierra con la mano izquierda o viceversa es muy peligroso.
- ◆ **No meta las manos detrás del tope-guía, a una distancia inferior a 100 mm a cada lado de la hoja de la sierra para eliminar fragmentos de madera ni por ningún otro motivo, mientras esté girando la hoja.** La proximidad de la mano a la hoja de la sierra cuando esta está girando puede no ser obvia y pueden producirse lesiones graves.
- ◆ **Inspeccione la pieza de trabajo antes de cortar.** Si la pieza está curvada o torcida, sujétela con la cara exterior curvada mirando hacia el tope-guía. **Asegúrese siempre de que no quede ningún hueco entre la pieza de trabajo, el tope-guía y la mesa a lo largo de la línea del corte.** Las piezas de trabajo dobladas o deformadas pueden girarse o desplazarse y pueden atascar la hoja de la sierra durante el corte. La pieza de trabajo no debe tener clavos ni otros objetos extraños.
- ◆ **No utilice la sierra hasta que la mesa esté libre de herramientas, fragmentos de madera, etc., excepto la pieza de trabajo.** Si los residuos pequeños, las piezas sueltas de madera u otros objetos entran en contacto con la hoja giratoria pueden ser lanzados a gran velocidad.
- ◆ **Corte una sola pieza de trabajo por vez.** Cuando se apilan varias piezas, estas no pueden sujetarse o asegurarse adecuadamente y pueden trabar la hoja o desplazarse durante el corte.
- ◆ **Antes de usar la sierra ingletadora, compruebe que esté montada o colocada sobre una superficie de trabajo firme y nivelada.** Una superficie de trabajo nivelada y firme reduce el riesgo de que la ingletadora se vuelva inestable.
- ◆ **Planifique su trabajo. Cada vez que cambie el ajuste del ángulo de bisel o de inglete, compruebe que el tope-guía ajustable esté configurado correctamente para sostener la pieza de trabajo y no interferir con la hoja ni con el sistema de protección.**

Sin encender la herramienta y sin colocar la pieza de trabajo sobre la mesa, mueva la hoja de la sierra simulando un corte completo, para comprobar que no haya ninguna interferencia o peligro de cortar el tope-guía.

- ◆ **Proporcione un apoyo adecuado, como una extensión de la mesa, un caballete de aserrar, etc., en caso de que la pieza de trabajo sea más ancha o más larga que el tablero de la mesa.** Las piezas de trabajo más largas o más anchas que la mesa de la ingletadora pueden caerse si no están bien apoyadas. Si la pieza de corte o la pieza de trabajo se cae, puede levantar el protector inferior o ser lanzada por la hoja giratoria.
- ◆ **No ponga a otra persona como sustituto de una extensión de la mesa o como apoyo adicional.** El apoyo inestable de la pieza de trabajo puede hacer que la hoja se trabe o que la pieza se desplace durante la operación de corte, atrayéndole a usted y a su ayudante hacia la hoja giratoria.
- ◆ **La pieza de corte no debe estar atascada ni apretada por ningún medio contra la hoja giratoria de la sierra.** En caso de limitaciones, por ejemplo, si usa topes de longitud, la pieza de corte puede atascarse contra la hoja y ser arrojada violentamente.
- ◆ **Use siempre una mordaza o una sujeción diseñada para fijar adecuadamente los materiales redondos tales como varillas o tubos.** Las varillas suelen girarse durante el corte, haciendo que la hoja "muera" y atraiga la pieza de trabajo junto con su mano hacia la hoja.
- ◆ **Deje que la hoja alcance la velocidad máxima antes de entrar en contacto con la pieza de trabajo.** Esto reducirá el riesgo de que la pieza de trabajo sea lanzada.
- ◆ **Si la pieza de trabajo o la hoja se atascan, apague la ingletadora. Espere a que todas las partes en movimiento se detengan y desconecte el enchufe de la fuente de alimentación y/o saque la batería. A continuación, libere el material atascado.** Si sigue cortando una pieza de trabajo atascada puede perder el control o dañar la ingletadora.
- ◆ **Después de terminar el corte, suelte el interruptor, mantenga la cabeza de la sierra hacia abajo y espere a que la hoja se detenga antes de retirar la pieza de corte.** Aproximar la mano a la hoja cuando se mueve por inercia es peligroso.

- ◆ Sustituya la placa de entalladura cuando esté gastada.
- ◆ No utilice hojas de un diámetro mayor o menor del recomendado. Para conocer la capacidad de corte exacta, consulte las especificaciones técnicas. Utilice solo las hojas especificadas en este manual, que cumplen lo dispuesto en la norma EN 847-1.
- ◆ No utilice hojas de sierra HSS (High Speed Steel, acero rápido).



¡Advertencia! El contacto o la inhalación del polvo procedente de las aplicaciones de la sierra puede suponer un peligro para la salud del usuario y de cualquier otra persona que se encuentre a su alrededor. Utilice una mascarilla diseñada específicamente para proteger contra el polvo y los vapores, y asegúrese de que las demás personas que se encuentren dentro o vayan a entrar en el área de trabajo también estén protegidas.

- ◆ No trabaje con materiales que contengan amianto. El amianto está considerado como un material cancerígeno.
- ◆ Utilice guantes para manipular las hojas de sierra y los materiales rugosos (las hojas de sierra deben transportarse en un soporte, siempre que sea posible).
- ◆ Utilice protección auditiva para reducir el riesgo de sordera inducida.
- ◆ Considere la posibilidad de utilizar hojas diseñadas especialmente para la reducción de ruido.
- ◆ Utilizar protección ocular reduce el riesgo de lesiones personales.
- ◆ Utilice la bolsa recolectora de polvo cuando asierre madera.
- ◆ **Sostenga la herramienta eléctrica por las superficies de agarre aisladas cuando realice una operación en la que el accesorio de corte pueda estar en contacto con un cable oculto o con su propio cable.** El contacto del accesorio de corte con un cable conectado a la red eléctrica podría hacer que las partes metálicas de la herramienta transmitieran esa electricidad y producir una descarga al usuario
- ◆ Seleccione la hoja adecuada para el material que vaya a cortar.
- ◆ No utilice el equipo sin el protector colocado en su posición. No utilice la máquina si el bloqueo no funciona o no se ha efectuado un mantenimiento adecuado.
- ◆ Compruebe que el brazo está fijado con seguridad cuando realice cortes biselados.
- ◆ Antes de cada corte, compruebe que la máquina esté estable.
- ◆ Mantenga las asas secas, limpias y libres de aceite y grasa.

Instrucciones de seguridad adicionales para sierras ingletadoras

- ◆ En este manual se describe el uso previsto. La utilización de accesorios o la realización de operaciones con esta herramienta distintas de las recomendadas en este manual de instrucciones puede presentar un riesgo de lesiones y/o daños materiales.
- ◆ No utilice hojas de sierra agrietadas, dobladas, dañadas o deformadas.

- ◆ Realice un mantenimiento adecuado del área que rodea al aparato y manténgala libre de materiales sueltos, por ejemplo, las astillas y los trozos desprendidos.
- ◆ Asegúrese de que el área de trabajo y en la que se encuentra la máquina disponen de iluminación general o localizada adecuada.
- ◆ No permita la utilización de esta máquina por parte de personas que no dispongan de la formación pertinente.
- ◆ Asegúrese de montar correctamente la hoja antes de utilizarla. Compruebe que la hoja gire en la dirección correcta. Mantenga la hoja afilada. Siga las instrucciones para lubricar y cambiar los accesorios.
- ◆ Compruebe que la velocidad indicada en la hoja de la sierra sea, como mínimo, igual a la velocidad indicada en la sierra.
- ◆ Compruebe que los espaciadores y las anillas del husillo sean adecuados para el uso indicado por STANLEY FATMAX.
- ◆ Las reparaciones del sistema de guía de línea de corte deberán ser realizadas por agentes de reparación autorizados o por el personal de servicios de STANLEY FATMAX.
- ◆ Extraiga la batería de la máquina antes de realizar cualquier operación de mantenimiento o cuando cambie la hoja.
- ◆ Nunca lleve a cabo la limpieza, el mantenimiento ni la extracción de trozos de material desprendidos ni de otras partes de la pieza de trabajo de la zona de corte con la máquina en funcionamiento y si la hoja no se encuentra en la posición de reposo.
- ◆ Cuando sea posible, instale la máquina en un banco.
- ◆ Asegúrese de que todos los mandos de bloqueo y empuñaduras estén apretados antes de iniciar cualquier tarea.
- ◆ No utilice nunca la sierra sin la inserción de la mesa.
- ◆ Nunca intente detener el movimiento de la máquina rápidamente mediante la colocación de una herramienta o mediante otro modo contra la hoja, ya que podrían producirse accidentes serios.
- ◆ Antes de utilizar o colocar un accesorio, consulte el manual de instrucciones. El uso inadecuado de un accesorio puede provocar daños.
- ◆ Levante la hoja del inserto de la mesa en la pieza de trabajo antes de soltar el interruptor de encendido/apagado.
- ◆ No acuñe nada contra el ventilador para sostener el árbol del motor.
- ◆ La protección de la hoja de la sierra se elevará automáticamente cuando baje el brazo; se ubicará por debajo de la hoja cuando levante el brazo. Puede levantar el protector manualmente para colocar o extraer las hojas de la sierra o para inspeccionar la sierra.

- No eleve nunca el protector de la hoja manualmente si la máquina no se encuentra apagada.
- ◆ Compruebe frecuentemente que las ranuras de ventilación del motor carecen de astillas.
- ◆ No permita que los signos de advertencia de la herramienta eléctrica se vuelvan irreconocibles.
- ◆ No se coloque nunca sobre la herramienta eléctrica. Pueden producirse lesiones graves si la herramienta eléctrica se vuelca o si se entra en contacto con la hoja de la sierra.
- ◆ No toque la hoja de la sierra después de utilizarla, hasta que se haya enfriado. La hoja de la sierra se calienta mucho durante el funcionamiento.
- ◆ Para evitar que se produzcan daños por el lanzamiento de materiales, desenchufe la sierra para evitar que se encienda accidentalmente y retire los materiales pequeños.
- ◆ Antes del uso y después del mantenimiento, es necesario comprobar el protector de la hoja para comprobar que funcione correctamente. Esta prueba debe llevarse a cabo con la sierra apagada y desenchufada. Es necesario elevar y bajar el brazo para garantizar que el protector cubre la hoja y que la hoja no entra en contacto con el protector. Si el protector no funciona correctamente, un agente de reparaciones autorizado deberá reparar la herramienta eléctrica. Llame al servicio de información al cliente de STANLEY FATMAX para más información sobre el agente de reparaciones más cercano.
- ◆ **Esta sierra ingletadora ha sido diseñada para aserrar únicamente madera, plástico y metales no ferrosos.** No utilice la sierra para cortar otros materiales distintos a los aconsejados por el fabricante.
- ◆ No toque la hoja de la sierra después de utilizarla, hasta que se haya enfriado. La hoja de la sierra se calienta mucho durante el funcionamiento.



¡Advertencia! Cortar plástico, madera recubierta de savia y otros materiales puede hacer que el material fundido se acumule en las puntas y el cuerpo de la hoja de la sierra, aumentando el riesgo de que esta se recaliente y se atasque durante el corte.

Seguridad de otras personas

- ◆ Este cargador puede ser utilizado por los niños a partir de 8 años de edad y por personas con capacidades físicas, sensoriales o mentales disminuidas, o que carezca de experiencia y conocimientos, si han recibido supervisión o formación con respecto al uso del aparato en modo seguro y comprenden los peligros que entraña su uso.
- ◆ Los niños no deben jugar con el aparato. Ningún niño deberá realizar las tareas de limpieza y mantenimiento, salvo que lo hagan bajo supervisión.

Riesgos residuales

Los siguientes riesgos son inherentes al uso de las sierras: No obstante el cumplimiento de las normas de seguridad pertinentes y del uso de dispositivos de seguridad, existen determinados riesgos residuales que no pueden evitarse.

Esto incluye:

- ◆ Lesiones producidas por el contacto con piezas móviles o giratorias.
- ◆ Deterioro auditivo.
- ◆ Riesgo de accidentes provocados por las piezas descubiertas de la hoja giratoria de la sierra.
- ◆ Riesgo de lesiones al cambiar cualquier pieza, hoja o accesorio.
- ◆ Riesgo de aplastamiento de los dedos al abrir las protecciones.
- ◆ Riesgos para la salud provocados al respirar el polvo originado al serrar madera, especialmente de roble, haya y DM.
- ◆ Lesiones producidas al usar una herramienta por un tiempo demasiado prolongado. Cuando use cualquier herramienta durante periodos prolongados, asegúrese de hacer pausas regulares.

Ruido

El valor de emisión de vibraciones declarado se ha calculado según un método de prueba estándar y puede utilizarse para comparar las herramientas entre sí.

Los valores de emisión de las vibraciones declarados también se pueden usar para una evaluación preliminar de la exposición.

¡Advertencia! Las emisiones de ruido durante el uso real de la herramienta eléctrica pueden variar con respecto al valor declarado dependiendo de los modos de usar la herramienta y, especialmente, del tipo de pieza de trabajo a mecanizar.

¡Advertencia! Lleve siempre protección acústica personal adecuada. En algunas condiciones y durante el uso, los ruidos de este producto pueden contribuir a la pérdida auditiva. Tenga en cuenta los siguientes factores que influyen en la exposición al ruido:

- ◆ Utilice hojas de sierra diseñadas para reducir las emisiones de ruido.
- ◆ Utilice solo hojas de sierra afiladas.
- ◆ Utilice solo hojas de sierra específicamente diseñadas para reducir el ruido.

Etiquetas en la herramienta

En la herramienta aparecen los pictogramas siguientes, así como el código de fecha:



¡Advertencia! Para reducir el riesgo de lesiones, el usuario debe leer el manual de instrucciones.



Utilice gafas o lentes de seguridad



Póngase protección para el oído



Utilice una mascarilla antipolvo



Los menores de 16 años no deben utilizar este producto



Mantenga las manos alejadas de la hoja



Zona prohibida para las manos - mantenga los dedos y los brazos alejados de las hojas giratorias de la sierra



Utilice guantes para manipular las hojas de la sierra



No fije la vista en la lámpara de trabajo

Instrucciones de seguridad adicionales para baterías y cargadores

¡Advertencia! El aparato solo debe utilizarse con la unidad de alimentación que se entrega con el aparato.

Nota: El intervalo de temperatura de funcionamiento recomendado de la herramienta está comprendido entre 4 °C y 40 °C.

Baterías

- ◆ Nunca trate de abrir las baterías por ningún motivo.
- ◆ No exponga la batería al agua.
- ◆ No guarde la batería en lugares donde la temperatura pueda superar los 40 °C.
- ◆ Realice la carga únicamente a una temperatura ambiente de entre 10 °C y 40 °C.
- ◆ Realice la carga únicamente con el cargador suministrado con la herramienta.
- ◆ Cuando vaya a desechar las pilas, siga las instrucciones facilitadas en la sección «Protección del medioambiente».



No intente cargar baterías dañadas.

Los cargadores

- ◆ Utilice solo el cargador de Stanley FatMax para cargar la batería de la herramienta con la que fue suministrado. En caso de intentar cargar otras baterías, estas podrían explotar, lo que podría provocar lesiones y daños personales.
- ◆ **Nunca intente cargar baterías no recargables.**
- ◆ **Sustituya los cables defectuosos inmediatamente.**
- ◆ No exponga el cargador al agua.
- ◆ No abra el cargador.

- ◆ No aplique ningún dispositivo para medir la resistencia del cargador.



Este cargador está pensado únicamente para utilizar en un lugar interior.



Lea el manual de instrucciones antes de utilizar el aparato.

Seguridad eléctrica



El cargador está provisto de doble aislamiento, por lo que no requiere una toma de tierra. Cada vez que utilice el aparato, debe comprobar que el voltaje de la red eléctrica coincide con el valor indicado en la placa de datos. No intente sustituir el cargador por un enchufe convencional para la red eléctrica.

- ◆ Si se dañara el cable de alimentación, deberá ser sustituido por el fabricante o por un centro de asistencia técnica autorizado de Stanley FatMax para evitar cualquier situación de riesgo.

Características

Esta herramienta incluye todas o algunas de las características siguientes.

1. Interruptor de accionamiento
2. Empuñadura de funcionamiento
3. Orificios de montaje
4. Protector inferior
5. Perilla de bloqueo de inglete
6. Botón de enganche de inglete
7. Placa de entalladura
8. Escala de inglete
9. Indicador de escala de inglete
10. Empuñaduras de transporte
11. Guía
12. Perilla de bloqueo del bisel
13. Rieles
- 13a. Correa con velcro
14. Orificio de salida de polvo
15. Batería
16. Interruptor de luz de trabajo
17. Palanca de desbloqueo
18. Tornillo de bloqueo de rieles
19. Orificio de montaje de fijación
20. Pasador de seguridad

Montaje (Fig. A)

La sierra ingletadora está parcialmente montada en la caja.

- ◆ Abra la caja y levante la sierra usando las asas de transporte (10) situadas en la base de la sierra (Fig. A).
- ◆ Coloque la sierra en una superficie lisa y plana, como un banco de trabajo o una mesa resistente.

- ◆ Examine el diagrama de montaje de la página 2 de este manual para familiarizarse con la sierra y sus diferentes piezas. En la sección sobre ajustes se usarán estos términos y usted debe saber de qué partes se trata y dónde se encuentran.
- ◆ La perilla de bloqueo de inglete (5) no viene montada antes el envío. Extraiga la perilla de bloqueo de inglete (5) del embalaje y enrósquela en la sierra, consulte la posición en las figuras G y J.
- ◆ La sierra tiene un orificio de salida de polvo incorporado (14) que permite conectar la bolsa de polvo suministrada (35), pero no montada, o un sistema de aspiración comercial (Fig. N).

Placa de entalladura (Fig. J)

La placa de entalladura (7) se monta en la mesa con 6 tornillos. La altura de la placa de entalladura (7) no es ajustable.

Nota: Si la placa de entalladura (7) está desgastada o dañada o se debe cambiar, las reparaciones deben ser realizadas por agentes de reparación autorizados o por el personal de servicio de STANLEY FATMAX.

Pasador de seguridad (Fig. F)

¡Advertencia! El pasador de seguridad debe utilizarse exclusivamente para transportar o guardar la sierra. No utilice NUNCA el pasador de seguridad para ninguna operación de corte.

Nota: Para levantar, transportar y sostener la sierra ingletadora durante el transporte, utilice las dos asas de transporte (10) situadas a ambos lados de la base de la sierra ingletadora (Fig. A).

Para bloquear el cabezal de la sierra en posición baja, empújelo hacia abajo, introduzca el pasador de seguridad (20) y suelte el cabezal de la sierra. De este modo, el cabezal de la sierra quedará sujeto hacia abajo de forma segura, evitando que la sierra desplace. Para soltarlo, empuje el cabezal de la sierra hacia abajo y extraiga el pasador.

¡Advertencia! Compruebe siempre que la herramienta esté apagada y que la batería haya sido extraída de la herramienta antes de ajustar o comprobar el funcionamiento de la herramienta.

Cargar la batería (Fig. B)

Es necesario cargar la batería antes del primer uso y cada vez que empiece a no tener suficiente potencia para tareas que eran fáciles de realizar anteriormente. Es posible que la batería se caliente durante la carga, esto es normal y no denota ningún problema.

Advertencia. No cargue la batería si la temperatura ambiente es inferior a 10 °C o superior a 40 °C. La temperatura de carga recomendada es de aproximadamente 24 °C.







Nota: El cargador no cargará la batería si la temperatura de esta es inferior a los 10 °C o superior a los 40 °C aproximadamente.

Deje la batería en el cargador y este empezará a cargarla automáticamente cuando la temperatura de la batería aumente o disminuya.

Nota: Para garantizar el máximo rendimiento y la máxima duración de sus baterías de iones de litio, cárguelas completamente antes de utilizarlas.

- ◆ Enchufe el cargador (21) en una toma adecuada antes de introducir la batería (15).
- ◆ La luz verde de carga (21a) parpadeará continuamente, indicando que se ha iniciado el proceso de carga.
- ◆ Se indicará que la carga ha terminado cuando la luz verde de carga (21a) quede encendida de manera continua. La batería (15) está totalmente cargada y puede sacarla, usarla o dejarla en el cargador (21).
- ◆ Cargue las pilas descargadas en el plazo de 1 semana. La vida útil de la batería disminuirá considerablemente si ésta se almacena descargada.

Modos del LED del cargador

	Cargando: LED verde intermitente	
	Totalmente cargada: LED verde fijo	
	Retardo por batería fría/ caliente: LED verde intermitente LED rojo fijo	

Nota: Los cargadores compatibles no cargan las baterías defectuosas. Si el cargador no se ilumina significa que la batería está averiada.

Nota: Esto también podría significar un problema con el cargador. Si el cargador indica un problema, lleve el cargador y la batería a un centro de reparación autorizado para que los prueben.

Dejar la batería en el cargador

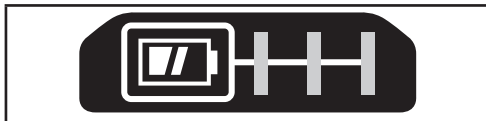
El cargador y la batería pueden permanecer conectados durante un periodo de tiempo indefinido con el indicador LED iluminado. El cargador mantendrá la batería a baja temperatura y completamente cargada.

Retardo por batería fría / caliente

Cuando el cargador detecta que la batería está demasiado caliente o demasiado fría, inicia automáticamente un retardo por batería fría/caliente, el LED verde (21a) parpadea en modo intermitente, y el LED rojo (21b) queda encendido continuamente, suspendiendo la carga hasta que la batería alcance la temperatura adecuada. El cargador cambiará automáticamente al modo de carga de batería. Esta característica le asegura la máxima vida útil de la batería.

Indicador del estado de la carga de la batería (Fig. C)

La batería incluye un indicador de estado de carga para determinar rápidamente la duración de la batería, como se muestra en la figura B. Pulsando el botón de estado de carga (15a) se puede ver fácilmente la carga que queda en la batería, como se muestra en la figura C.



Inserción y extracción de la batería (Fig. D, E)

- ◆ Para insertar la batería (15), alinéela en el alojamiento de la herramienta (22). Deslice la batería dentro del alojamiento y empujela hasta que encaje en su sitio.
- ◆ Para extraer la batería, pulse el botón de liberación de la batería (15b) y, al mismo tiempo, saque la batería del alojamiento como se muestra en la figura E.

Cambio o colocación de una nueva hoja (Fig. G, H, I)

¡Advertencia! Para disminuir el riesgo de lesiones personales graves, apague la herramienta y retire la batería antes de transportarla y de realizar ajustes o de poner o quitar acoplamientos o accesorios. El encendido accidental puede causar lesiones.

Retirar la hoja

- ◆ Extraiga la batería (15) de la sierra.
- ◆ Levante el brazo hasta la posición superior y levante el protector inferior (4) al máximo.
- ◆ Afloje el tornillo del soporte del protector delantero (24), sin sacarlo, hasta que pueda levantar el soporte (25) lo suficiente para acceder al tornillo de la hoja (26). El protector inferior se mantendrá levantado debido a la posición del tornillo del soporte del protector.
- ◆ Pulse el botón de bloqueo del husillo (28) mientras gira con cuidado la hoja de la sierra con la mano (29) hasta enganchar el bloqueo.

- ◆ Manteniendo apretado el botón, use la otra mano y el lado hexagonal de la llave suministrada para aflojar el tornillo de la hoja (26). (Gire en sentido horario, roscas a la izquierda).
- ◆ Extraiga el tornillo de la hoja (26) usando el lado hexagonal de la llave de suministrada, la arandela de fijación externa (30) y la hoja (29). La arandela de fijación interior (31) puede dejarse en el husillo (32).

Colocar una hoja

- ◆ Extraiga la batería (15) de la sierra.
- ◆ Con el brazo levantado, el protector inferior (4) abierto y el soporte del protector (25) levantado, coloque la hoja (29) en el husillo (32) y contra la brida interna de la hoja (31) con los dientes mirando hacia la dirección de rotación indicada en la sierra.
- ◆ Coloque la arandela de fijación exterior (30) en el husillo (32).
- ◆ Coloque el tornillo de la hoja (26) y, engancho el bloqueo del husillo (28), apriete bien el tornillo (26) con la llave suministrada (gire en sentido antihorario, roscas a la izquierda).
- ◆ Vuelva a colocar el soporte del protector (25) en su posición original y apriete bien el tornillo del soporte del protector (24) para sujetar el soporte.

Sistema de guía de la línea de corte

¡Advertencia! No fije la vista en la luz de trabajo. Pueden producirse daños oculares graves.

Nota: La batería debe estar cargada y conectada a la sierra ingletadora.

El sistema de guía de la línea de corte puede encenderse y apagarse solo con el interruptor de la luz de trabajo (16).

Para cortar por una línea marcada a lápiz sobre un trozo de madera, encienda el sistema de guía de línea de corte con el interruptor momentáneo (16) (no con el disparador principal), después baje la palanca de funcionamiento (2) para acercar la hoja de la sierra a la madera.

La sombra de la hoja aparecerá en la madera. Esta línea de sombra representa el material que la hoja eliminará al realizar el corte.

Para ubicar correctamente el corte sobre la línea a lápiz, alinee la línea a lápiz con el borde de la sombra de la hoja. Recuerde que quizás tenga que ajustar los ángulos de bisel o de inglete para hacer que coincidan exactamente con la línea trazada a lápiz.

La sierra está equipada con una función de fallo de batería.

La luz de trabajo comienza a parpadear cuando se está por acabar la carga útil de la batería o cuando la batería se recalienta. Cargue la batería antes de seguir con las aplicaciones de corte.

Consulte Procedimiento de carga en Instrucciones de seguridad importantes para las baterías, para ver las instrucciones de carga de la batería.

Control de inglete (Fig. J)

La perilla de bloqueo de inglete (5) y el botón de liberación de inglete (6) le permiten poner la sierra en 47° a la derecha y 47° a la izquierda. El enganche del inglete se ubica automáticamente en la posición de 0°, 15°, 22,5°, 31,6° y 45°, a la izquierda y a la derecha. Para ingletar la sierra, desbloquee el mecanismo de bloqueo del inglete girando la perilla de bloqueo del inglete (5) en sentido antihorario para desbloquearlo y en sentido horario para bloquearlo. Tire del botón de enganche de inglete (6) hacia arriba y ajuste el ángulo del inglete deseado en la escala de inglete (8). Bloquee la perilla de bloqueo del inglete (5) girándola en sentido horario.

Perilla de bloqueo de bisel (Fig. K)

El bloqueo de bisel le permite biselar con la sierra a 48° a la izquierda. Para ajustar la configuración de bisel, gire el botón de bloqueo de bisel (12) en sentido antihorario para aflojarlo. Para apretarlo, gire el perno de bloqueo del bisel en sentido de las agujas del reloj.

¡Atención! Peligro de aplastamiento. Asegúrese de apretar la perilla de bloqueo de bisel antes de ajustar las anulaciones.

Interruptor disparador (Fig. L)

Para encender la sierra, empuje la palanca de bloqueo (17) a la izquierda y después apriete el interruptor disparador (1). La sierra funciona al tener apretado el interruptor. Deje que la hoja acelere hasta alcanzar su máxima velocidad de funcionamiento antes de realizar el corte. Para apagar la sierra, suelte el interruptor. Deje que la hoja se detenga antes de levantar la cabeza de la sierra. No existe ningún dispositivo para dejar bloqueado el interruptor encendido. Se ha realizado un orificio (1a) en el activador para introducir un candado que bloquee la sierra apagada.

La sierra no está equipada con un freno eléctrico automático de la hoja, pero esta debería detenerse dentro de los 5 segundos después de soltar el interruptor de activación. Esto no es ajustable. Si el tiempo de parada excede repetidamente los 5 segundos, haga reparar la herramienta en un centro de servicio autorizado por Stanley FatMax.

Compruebe siempre que la hoja se haya detenido antes de sacarla de la placa de corte.

Extracción de polvo (Fig. M)

¡Advertencia! Para disminuir el riesgo de lesiones personales graves, apague la herramienta y retire la batería antes de transportarla y de realizar ajustes o poner o quitar acoplamientos o accesorios. El encendido accidental puede causar lesiones.

La sierra tiene un orificio de salida de polvo incorporado (14) que permite conectar la bolsa de polvo suministrada (35) o un sistema de aspiración comercial.

Colocar la bolsa de polvo

- ◆ Coloque la bolsa de polvo (35) en el orificio de salida de polvo (14) como se muestra en la Figura M.
- ◆ Se puede instalar un tubo de vacío (38 - no suministrado) en el puerto de polvo (14) en lugar del saco de polvo (35). Esto puede hacerse colocando el tubo de la aspiradora (38) en lugar de la bolsa de polvo (35), véase la figura M.
- ◆ Use la correa de velcro (13a) para mantener el tubo de la aspiradora (38) alejado de los rieles deslizantes (13) mientras utiliza la sierra.

Nota: La correa de velcro (13a) no es un asa de transporte y no debe utilizarse para desplazar o transportar la sierra.

Vaciar la bolsa de polvo

- ◆ Extraiga la bolsa para el polvo (35) de la sierra y sacúdala o golpéela suavemente para vaciarla.
- ◆ Vuelva a colocar la bolsa para el polvo en el orificio de salida de polvo (14).

Notará que no sale todo el polvo de la bolsa. Esto no afectará al procedimiento de corte, pero reducirá la eficacia de la recogida de polvo de la sierra. Para restablecer la eficacia de la recogida de polvo de la sierra, apriete el muelle interior de la bolsa de polvo cuando la vacíe y golpéela suavemente junto al cubo de la basura o contenedor de polvo.

¡Advertencia! Nunca utilice esta sierra si no tiene conectado una bolsa colector de polvo. El polvo de madera puede crear riesgos para la respiración.

Cortar con la sierra

Si no utiliza la función de deslizamiento, compruebe que la cabeza de la sierra esté lo más hacia atrás posible y que el tornillo de bloqueo del riel (18) esté apretado. Así evitará que la sierra se deslice por los rieles cuando la pieza de trabajo está encajada.

Nota: NO CORTE METALES FERROSOS NI MAMPOSTERÍA CON ESTA SIERRA (CON ESTA SIERRA SE PUEDEN CORTAR METALES NO FERROSOS). No utilice hojas abrasivas.

Nota: Antes de cortar, consulte Función y visibilidad de los protectores en la sección Ajustes, para obtener información importante sobre el protector inferior.

Cortes transversales (Fig. N)

El corte transversal se realiza cortando la madera transversalmente a la veta, con cualquier ángulo. El corte transversal recto se realiza con el brazo de inglete en posición de grado cero.

Coloque y bloquee el brazo de inglete en cero y sostenga firmemente la madera sobre la mesa y contra la guía. Con el tornillo de bloqueo del riel (18) apretado, encienda la sierra apretando el interruptor del disparador (1).

Cuando la sierra alcance la velocidad (aprox. 1 segundo), baje despacio el brazo y corte lentamente la madera. Deje que la hoja se detenga por completo antes de levantar el brazo.

Cuando corte piezas que superen los 2 x 4 (51 x 102), aplique un movimiento hacia afuera-abajo-atrás con el tornillo de bloqueo de rieles (18) aflojado. Tire de la sierra hacia fuera, hacia usted, baje la cabeza de la sierra hacia la pieza de trabajo y vuelva a empujar suavemente la sierra para completar el corte. No permita que la sierra entre en contacto con la parte superior de la pieza de trabajo mientras la saca. Puede que la sierra funcione en dirección hacia usted, causando posibles daños personales o daños en la pieza de trabajo.

¡Advertencia! Utilice siempre una fijación de trabajo para mantener el control y reducir el riesgo de daños a la pieza de trabajo y lesiones personales, si sus manos deben estar dentro de una distancia de 6" (152 mm) de la hoja durante el corte.

¡Nota! El tornillo de bloqueo de rieles (18) debe estar flojo para permitir que la sierra se deslice por los rieles.

Los cortes de inglete transversales se realizan con el brazo de inglete en algún ángulo distinto de cero.

Este ángulo se fija a menudo en 45° para realizar esquinas, aunque puede fijarse en cualquier posición desde cero hasta 47° a la izquierda o 47° a la derecha. Realice el corte como se indica arriba.

Cuando realice un corte de inglete en piezas de trabajo de más de 2 x 6 de ancho y de menor longitud, coloque siempre la parte más larga contra la guía (Fig. O).

Para cortar por una línea trazada en una pieza de madera, haga coincidir el ángulo lo más que pueda. Corte la madera un poco más larga y mida desde la línea a lápiz hasta el borde del corte para determinar en qué dirección ajustar el ángulo de inglete y vuelva a cortar. Esto requiere un poco de práctica, pero es una técnica que se usa mucho.

Cortes biselados

Un corte biselado es un corte transversal con la hoja de la sierra inclinada formando un ángulo con la madera. Para establecer el bisel, afloje la perilla de bloqueo de bisel (12), y mueva la sierra hacia la izquierda como desee. Una vez que haya establecido el ángulo de bisel, apriete bien el bloqueo de bisel. Los ángulos de bisel pueden configurarse de 3° a la derecha a 48° a la izquierda.

Calidad del corte

La homogeneidad de los cortes depende de diferentes factores.

Factores como el material a cortar, el tipo de hoja, el filo de la hoja y la velocidad de corte contribuyen a la calidad del corte. Cuando desee realizar cortes más homogéneos para trabajos de molduras y otros trabajos de precisión, obtendrá los resultados deseados con una hoja afilada (punta de carburo de 60 dientes) y una velocidad de corte lenta y uniforme. Compruebe que el material no se mueva ni se deslice mientras corta; fíjelo bien en su posición.

Deje siempre que la hoja se detenga completamente antes de levantar el brazo. Si se rompen pequeñas fibras de madera en la parte trasera de la pieza de trabajo, pegue un trozo de cinta protectora sobre la madera en donde realizará el corte. Sierra a través de la cinta y retire cuidadosamente la cinta cuando haya terminado.

Para las diferentes aplicaciones de corte, consulte la lista de hojas de sierra recomendadas para su sierra y seleccione la que mejor se adapte a sus necesidades. Consulte Hojas de sierra en Accesorios opcionales.

Posición del cuerpo y de las manos (Fig. O1–O4)

Una posición adecuada del cuerpo y las manos durante el funcionamiento de la ingletadora facilitará el corte permitiendo que este sea más preciso y seguro. No coloque nunca las manos cerca del área de corte. Coloque las manos a una distancia mínima de 6" (152 mm) de la hoja. Sostenga la pieza de trabajo firmemente contra la mesa y la guía cuando corte. Mantenga las manos en posición hasta que haya soltado el disparador y la hoja se haya detenido por completo.

REALICE SIEMPRE OPERACIONES DE PRUEBA (CON LA MÁQUINA DESCONECTADA) ANTES DE REALIZAR LOS CORTES DEFINITIVOS, PARA COMPROBAR EL TRAYECTO DE LA HOJA. NO CRUCE LAS MANOS COMO SE MUESTRA EN LA FIGURA O3.

Mantenga ambos pies con firmeza en el suelo y mantenga un equilibrio adecuado. A medida que vaya moviendo el brazo de inglete hacia la izquierda y la derecha, sígalo y permanezca ligeramente al costado de la hoja de la sierra. Mire a través de las hendiduras de la guía para seguir una línea trazada mediante un lápiz.

Fijación de la pieza de trabajo

¡Advertencia! Para disminuir el riesgo de lesiones personales graves, apague la herramienta y retire la batería antes de transportarla y de realizar ajustes o poner o quitar accionamientos o accesorios. El encendido accidental puede causar lesiones.

¡Advertencia! Una pieza de trabajo que haya sido fijada y esté equilibrada y bien firme antes de realizar un corte puede desequilibrarse tras finalizar el corte.

Una carga desequilibrada puede desequilibrar la sierra o cualquier complemento unido a la sierra, como una mesa o un banco de trabajo. Cuando realice un corte que pueda causar un desequilibrio, sujete adecuadamente la pieza de trabajo y compruebe que la sierra esté fijada en modo seguro a una superficie estable. Pueden producirse lesiones personales.

¡Advertencia! El pie de fijación deberá permanecer fijado sobre la base de la sierra cuando se utilice la fijación. Fije siempre la pieza de trabajo en la base de la sierra, y no a ninguna otra parte de la zona de trabajo. Compruebe que el pie de fijación no esté fijado en el borde de la base de la sierra.

¡Advertencia! Utilice siempre una fijación de trabajo para mantener el control y reducir el riesgo de daños a la pieza de trabajo y lesiones personales, si sus manos deben estar dentro de una distancia de 6" (152 mm) de la hoja durante el corte. Si no se puede sujetar bien la pieza de trabajo sobre la mesa y contra la guía con la mano (forma irregular, etc.), o su mano queda a menos de 6" (152 mm) de la hoja, debe utilizar una mordaza u otro dispositivo de sujeción.

Utilice la mordaza de material suministrada con la sierra. Para comprar una mordaza de material, póngase en contacto con su distribuidor local o con el centro de servicio de Stanley FatMax.

Otras ayudas como las fijaciones de anillas, las fijaciones de barras o las fijaciones en C pueden ser adecuadas para materiales de determinados tamaños y formas. Tenga cuidado al seleccionar y colocar estas mordazas. Tómese el tiempo para hacer una prueba antes de hacer el corte.

Instalar la mordaza (Fig. P)

- ◆ Introdúzcala en el orificio (19) de la mordaza (37) que se encuentra detrás de la guía. La fijación deberá orientarse hacia la parte trasera de la sierra ingletadora. La hendidura en la varilla de fijación debe introducirse completamente en la base. Compruebe que esta hendidura esté completamente introducida en la base de la sierra ingletadora. Si la hendidura está visible, la fijación no estará segura.
- ◆ Gire la fijación a 180° hacia la parte frontal de la sierra ingletadora.
- ◆ Afloje el perno para ajustar la fijación hacia arriba o hacia abajo y utilice la perilla de ajuste fine para fijar bien la pieza de trabajo.

Nota: Coloque la fijación en el lado opuesto de la base cuando bisele. REALICE SIEMPRE PRUEBAS (CON LA MÁQUINA DESCONECTADA) ANTES DE REALIZAR LOS CORTES, PARA COMPROBAR LA TRAYECTORIA DE LA HOJA. COMPRUEBE QUE LA MORDAZA NO INTERFIERA CON EL FUNCIONAMIENTO DE LA SIERRA O CON LOS PROTECTORES.

Ajustes

La sierra ingletadora se ha ajustado totalmente en fábrica, con precisión, en el momento de su fabricación. Si necesita un reajuste debido al transporte, la manipulación o cualquier otro motivo, siga las instrucciones mencionadas más abajo para ajustar la sierra.

Una vez realizados, estos ajustes deberían mantener su precisión. Tómese un poco de tiempo para seguir estas instrucciones cuidadosamente, para mantener la precisión que le puede ofrecer la sierra.

Ajuste de escala de inglete (Fig. Q1)

Fije el brazo en la posición inferior. Desbloquee la perilla de bloqueo de inglete (5) y gire el brazo de inglete hasta que el botón de liberación de inglete (6) se bloquee en la posición de inglete a 0°. No bloquee el botón de bloqueo de inglete. Coloque una escuadra contra la guía de la sierra y la hoja, como se muestra. (No toque las puntas de los dientes de la hoja con la escuadra. Si lo hace, dará lugar a una medida imprecisa.) Si la hoja de la sierra no está exactamente perpendicular a la guía, afloje y mueva la guía del material hasta que la hoja quede perpendicular a la guía, midiendo con la escuadra. No preste atención a la lectura del indicador de inglete en ese momento.

Ajuste a la mesa de la escuadra de bisel (Fig. Q2)

Para alinear la escuadra de la hoja con la mesa, bloquee el brazo en posición inferior con el pasador de seguridad (20). Coloque una escuadra contra la hoja, comprobando que la escuadra no esté en la parte superior de un diente. Afloje el perno de bloqueo de bisel (5) y compruebe que el brazo se fije firmemente frente al tope de bisel de 0°. Gire 0° el tornillo de ajuste de bisel con una llave de 1/2" (12.7 mm) (no suministrada) según sea necesario para que la hoja quede a bisel de 0° con la mesa, como medido con la escuadra.

Función y visibilidad de los protectores (Fig. V)

¡Advertencia! Peligro de aplastamiento. Para reducir el riesgo de lesiones, mantenga el pulgar debajo de la empuñadura de funcionamiento cuando baje la empuñadura. El protector inferior se mueve hacia arriba al bajar la palanca de funcionamiento, lo que puede causar aplastamientos. El protector inferior (4) de la sierra ha sido diseñado para descubrir automáticamente la hoja cuando se baja el brazo y para cubrir la hoja cuando se levanta el brazo. Antes de cada uso o de hacer los ajustes, haga girar el brazo (sin alimentación) y asegúrese de que el protector se abra sin problemas y se cierre del todo. No tiene que tocar la hoja. Con el brazo levantado, levante el protector (sin alimentación), como se muestra en la Figura V y suéltelo. El protector debe cerrarse completamente en forma rápida. No utilice la sierra si el protector no se mueve libremente y no se cierra del todo rápidamente.

Nunca sujete o bloquee el protector en posición abierta cuando la sierra está en funcionamiento. Puede levantar el protector manualmente para colocar o extraer las hojas de la sierra o para inspeccionar la sierra.

NO LEVANTE NUNCA EL PROTECTOR INFERIOR MANUALMENTE, A MENOS QUE LA HOJA ESTÉ DETENIDA.

Nota: Algunos cortes especiales de materiales grandes requieren levantar manualmente el protector. Consulte cómo cortar materiales grandes en Cortes especiales.

La sección frontal de la protección está apantallada para facilitar la visibilidad durante el corte. A pesar de que las pantallas reduzcan notablemente las partículas volátiles, el protector tiene aperturas y por ello, deberá usar siempre gafas de seguridad.

Guía de los rieles

Compruebe periódicamente que los rieles (13) no tengan juegos o huelgos. Los rieles pueden limpiarse con un paño seco y limpio.

Corte de marcos de cuadros, cajas selladas y otros proyectos cuadrilaterales (Fig. R1, R2)

Para entender mejor cómo hacer los elementos listados aquí, le sugerimos que practique con algunos proyectos simples utilizando madera de desecho hasta que desarrolle una "sensibilidad" para su sierra.

La sierra es la herramienta ideal para realizar cortes angulares, como el que se muestra en la figura R1. El dibujo A de la Figura R2 muestra una unión hecha usando el ajuste de bisel para biselar los bordes de dos tablas a 45° cada una para formar una esquina de 90°. Para esta unión, el brazo de inglete se bloquea en la posición cero y el ajuste de bisel se bloquea en 45°. La madera se posiciona con el lado plano ancho contra la mesa y el borde estrecho contra el tope-guía. El corte puede realizarse también ingleteando a la derecha y a la izquierda con la superficie ancha contra el tope-guía.

Corte de molduras y otros marcos (Fig. R2)

El dibujo B de la Figura R2 muestra una unión realizada colocando el brazo de inglete a 45° para cortar las dos tablas y formar una esquina de 90°. Para realizar este tipo de unión, coloque el ajuste de bisel en cero y el brazo de inglete a 45°. Una vez más, coloque la madera con el lado plano ancho sobre la mesa y el borde estrecho contra el tope-guía. Las Figuras R1 y R2 son solo para objetos cuadrilaterales. A medida que cambie el número de caras, también cambiarán los ángulos de inglete y bisel. El gráfico de abajo da los ángulos correctos para una variedad de formas.

Ejemplos

Número de caras	Inglete o ángulo de bisel
4	45°
5	36°
6	30°
7	25,7°
8	22,5°
9	20°
10	18°

En el gráfico se asume que todos los lados tienen la misma longitud. Para una forma no indicada en el gráfico, utilice la siguiente fórmula: 180° dividido por el número de caras equivale al inglete (si el material se corta verticalmente) o al ángulo de bisel (si el material se corta de forma horizontal).

Corte de ingletes compuestos (Fig. R3)

Un inglete compuesto es un corte realizado utilizando un ángulo de inglete y de bisel al mismo tiempo. Es el tipo de corte utilizado para realizar marcos o cajas con lados inclinados, como se muestra en la figura R3.

Nota: Si el ángulo de corte varía de un corte a otro, compruebe que la perilla de bloqueo de bisel y la perilla de bloqueo de inglete estén bien bloqueados. Estos deberán estar bloqueados tras realizar cualquier cambio en el bisel o el inglete. El gráfico al final de este manual (Tabla 1) le ayudará a elegir la configuración adecuada para el bisel y el inglete para los cortes de ingletes compuestos más comunes. Para usar el gráfico, seleccione el ángulo "A" deseado (Fig. R3) de su proyecto y localice dicho ángulo en el arco adecuado del gráfico. A partir de dicho punto, siga el gráfico en línea recta hacia abajo para encontrar el ángulo de bisel correcto y en línea recta de forma transversal para encontrar el ángulo de inglete correcto. Fije la sierra en los ángulos indicados y realice varios cortes de prueba. Practique colocando las piezas cortadas juntas hasta que desarrolle una sensibilidad para este procedimiento y se sienta cómodo haciéndolo.

Ejemplo: Para realizar una caja de 4 caras con ángulos exteriores de 26° (Ángulo A, Fig. R3), utilice el arco superior derecho. Encuentre el ángulo de 26° en la escala del arco. Siga la línea de intersección horizontal a ambos lados para obtener la configuración del ángulo de inglete en la sierra (42°). Del mismo modo, siga la línea vertical que se cruza con la parte superior o inferior para obtener la configuración del ángulo de bisel en la sierra (18°). Intente siempre realizar cortes en restos de piezas de madera para comprobar las configuraciones de la sierra.

Corte de molduras de base (Fig. S)

Cortes rectos de 90°:

Posicione la madera contra la guía y sujétela, tal y como se muestra en la figura S. Encienda la sierra, deje que la hoja alcance la máxima velocidad y baje el brazo suavemente a lo largo del corte.

Corte de molduras básicas de hasta 3,5" (90 mm) en posición vertical contra la guía

Coloque el material como se muestra en la Figura S. Todos los cortes deberán ser realizados con la parte trasera de la moldura contra la guía y con la parte inferior de la moldura contra la mesa.

	Esquina interior	Esquina exterior
Lateral izquierdo	Inglete a 45° a la izquierda Guarde el lado izquierdo del corte	Inglete a 45° a la derecha Guarde el lado izquierdo del corte
Lateral derecho	Inglete a 45° a la derecha Guarde el lado derecho del corte	Inglete a 45° a la izquierda Guarde el lado derecho del corte

El material de hasta 3,5" (90 mm) puede cortarse como se describe arriba.

Corte de molduras de corona

Para un ajuste adecuado, la moldura de corona (cornisa) debe realizarse mediante un corte compuesto de ingletes de extrema precisión.

Las dos superficies planas de una determinada pieza de moldura de corona están en ángulos que, cuando se suman, dan exactamente 90°. La mayoría, pero no todas, las molduras de corona tienen un ángulo superior trasero (la sección que encaja plana contra el techo) de 52° y un ángulo posterior inferior (la parte que se ajusta contra la pared) de 38°.

La sierra ingletadora cuenta con una serie de puntos especiales de retención de ingletes preconfigurados a 31,6° a la izquierda y a la derecha para cortes de molduras de corona en el ángulo correcto. Hay también una marca en la escala de bisel a 33,8°.

El gráfico de ajuste de bisel/tipo de corte proporciona el ajuste correcto de corte de molduras de corona. (Los números de la configuración de inglete y de bisel son muy precisos y no es fácil configurarlos en la sierra.) Como la mayoría de las habitaciones no tienen ángulos de exactamente 90°, tendrá que ajustar con precisión la configuración.

Instrucciones para corte de molduras de corona en superficies horizontales utilizando funciones compuestas

- ◆ Apoye la moldura con la superficie posterior ancha hacia abajo sobre la mesa (36) (Fig. T1).

- ◆ Los ajustes de abajo son para todas las molduras de corona estándar con ángulos de 52° y 38°.

Ajuste de bisel	Tipo de corte
33,8°	LADO IZQUIERDO, ÁNGULO INTERIOR: 1. Parte superior de la moldura contra la guía 2. Mesa de inglete configurada a la derecha a 31,62° 3. Guarde el lado izquierdo de corte
33,8°	LADO DERECHO, ÁNGULO INTERIOR: 1. Parte inferior de la moldura contra la guía 2. Mesa de inglete configurada a la izquierda a 31,62° 3. Guarde el lado izquierdo de corte
33,8°	LADO IZQUIERDO, ÁNGULO EXTERIOR: 1. Parte inferior de la moldura contra la guía 2. Mesa de inglete configurada a la izquierda a 31,62° 3. Guarde el extremo derecho de corte
33,8°	LADO DERECHO, ÁNGULO EXTERIOR: 1. Parte superior de la moldura contra la guía 2. Mesa de inglete configurada a la derecha a 31,62° 3. Guarde el extremo derecho de corte

Nota: Cuando ajuste los ángulos de inglete y de bisel en todas las ingletadoras compuestas, recuerde que los ángulos presentados para molduras de corona son muy precisos y es difícil establecerlos exactamente. Puesto que se pueden desplazar ligeramente y muy pocas habitaciones tienen las esquinas perfectamente en escuadra, deberá probar todas las configuraciones con molduras de prueba.

Método alternativo para cortar molduras de corona

Coloque la moldura en un ángulo entre la guía (11) y la mesa de la sierra (36), con la parte superior de la moldura sobre la mesa y la parte inferior de la moldura en la guía como se muestra en la figura T1.

La ventaja de cortar molduras de corona usando este método es que no se requiere biselado. Los cambios de minutos en el ángulo de inglete pueden realizarse sin que ello afecte al ángulo de bisel. De este modo, cuando se encuentran esquinas con un ángulo distinto a 90°, la sierra puede ajustarse a las mismas de forma rápida y fácil.

Instrucciones para el corte de molduras de corona angulares entre la guía y la base de la sierra para todos los cortes

Esta sierra puede cortar molduras de corona de hasta 14 mm (9/16") x 92 mm (3-5/8") empotradas.

- ◆ Coloque la moldura en ángulo, de modo que la parte inferior de la moldura (la parte que queda contra la pared cuando se instala) quede contra la guía (11) y la parte superior de la moldura quede sobre la mesa de la sierra (36), como se muestra en la figura T2.
- ◆ Las "caras" anguladas de la parte trasera de la moldura deben quedar en escuadra la guía y la mesa de la sierra (36).

	Esquina interior	Esquina exterior
Lateral izquierdo	Inglete a 45° a la derecha Guarde el lado derecho del corte	Inglete a 45° a la izquierda Guarde el lado derecho del corte
Lateral derecho	Inglete a 45° a la izquierda Guarde el lado izquierdo del corte	Inglete a 45° a la derecha Guarde el lado izquierdo del corte

Cortes especiales

No realice nunca cortes a menos que el material esté fijado en la mesa y frente a la hendidura.

Material curvado (Figs. U1 y U2)

Cuando corte un material curvado, colóquelo siempre tal y como se indica en la figura U1, y nunca como se muestra en la figura U2. Si posiciona el material de forma incorrecta, hará que pellizque la hoja cuando esté por terminar el corte.

Corte de material redondo

El material redondo debe ser fijado o sostenido firmemente a la guía para impedir que salga rodando. Esto es muy importante a la hora de realizar cortes angulares.

Corte de materiales grandes (Fig. V)

Ocasionalmente, encontrará piezas de madera demasiado grandes para colocarlas debajo del protector inferior. Para limpiar el protector encima de la madera, con la sierra apagada y con la mano derecha en la empuñadura de funcionamiento, coloque el pulgar derecho fuera de la parte superior del protector y haga girar el protector justo lo necesario para limpiar la madera, como se muestra en la Figura V. Suelte el protector antes de arrancar el motor. El mecanismo del protector funcionará correctamente durante el corte. Haga esto solo cuando sea necesario.
NUNCA ATE, UNA CON CINTA NI MANTENGA DE NINGÚN OTRO MODO EL PROTECTOR ABIERTO CUANDO TRABAJE CON LA SIERRA.

Mantenimiento

¡Advertencia! Para disminuir el riesgo de lesiones personales graves, apague la herramienta y retire la batería antes de transportarla y de realizar ajustes o de poner o quitar acoplamientos o accesorios. El encendido accidental puede causar lesiones.

¡Advertencia! Para reducir el riesgo de sufrir lesiones personales graves, no toque las puntas afiladas de la hoja con los dedos o las manos mientras realiza cualquier operación de mantenimiento. NO utilice lubricantes o limpiadores (concretamente de tipo spray o aerosoles) cerca del protector de plástico. El material de policarbonato utilizado en el protector puede ser dañado por determinados agentes químicos.

- ◆ Todos los rodamientos están sellados. Están lubricados de por vida y no necesitan ningún mantenimiento.
- ◆ Limpie periódicamente todo el polvo y las astillas de madera que se encuentren alrededor Y DEBAJO de la base y de la mesa giratoria. Aunque hay algunas ranuras que permiten el paso de los residuos, el polvo se acumula.
- ◆ Las escobillas han sido diseñadas para proporcionar varios años de uso. Si alguna vez necesitan ser cambiadas, lleve la herramienta al centro de servicio más próximo para la reparación.

Problema	Causa posible	Solución
No hace cortes de inglete precisos.	Escala de inglete no ajustada correctamente.	Controle y ajuste. Consulte Ajuste de escala de inglete en Ajustes.
	La hoja no está en escuadra con la guía.	Controle y ajuste. Consulte Ajuste de escala de inglete en Ajustes.
	La hoja no está perpendicular a la mesa.	Controle y ajuste el tope-guía. Consulte Ajuste de bisel en escuadra con la mesa en Ajustes.
	La pieza de trabajo se mueve	Fije bien la pieza a la guía o pegue un papel de lija de grano 120 en la guía con adhesivo de goma.
	Placa de entalladura gastada o dañada.	Llevar a un centro de servicio autorizado.
El material pellizca la hoja.	Corte de material curvado.	Consulte Material curvado en Cortes especiales.

Resolución de problemas

Problema	Causa posible	Solución
La sierra no arranca.	Batería no instalada.	Instale la batería. Consulte Instalar y desinstalar la batería.
	La batería no está cargada.	Cargue la batería. Consulte Procedimiento de carga.
	Escobillas gastadas	Haga sustituir las escobillas en un centro de servicio especializado.
La sierra no corta bien.	Hoja roma.	Cambie la hoja. Consulte Cambiar o instalar una hoja nueva.
	Hoja montada hacia atrás.	Cire la hoja. Consulte Cambiar o instalar una hoja nueva.
	Goma o breca en la hoja.	Saque la hoja y límpiela con lana de acero gruesa y trementina o limpiador de horno doméstico.
	Hoja incorrecta para el tipo de trabajo que está haciendo.	Cambie el tipo de hoja.
La luz de trabajo parpadea.	Batería no cargada	Cargue la batería. Consulte Procedimiento de carga.
La herramienta vibra excesivamente.	La sierra no está bien montada sobre la base o el banco de trabajo.	Apriete todo el material de montaje. Consulte Montaje en el banco
	Base o banco sobre suelo desnivelado.	Coloque sobre una superficie nivelada.
	Hoja de la sierra dañada.	Cambie la hoja. Consulte Cambiar o instalar una hoja nueva.

Protección del medioambiente



Recogida selectiva. Los productos y las baterías marcadas con este símbolo no deben eliminarse junto con los residuos domésticos normales.

Los productos y las baterías que contienen materiales que se puedan recuperar o reciclar reducen la demanda de materias primas. Recicle los productos eléctricos y las baterías de conformidad con las normas locales. Puede obtener más información en www.2helpU.com

Datos técnicos

SFMCS701 (H1)			
Voltaje	V		18
Velocidad	/min		3.800
Diámetro exterior de la hoja	mm		190
Diámetro del orificio	mm		16
Entalladura máx. hoja	mm		1,8
Peso sin batería	kg		10
Espesor de la hoja	mm		1,0
Inglete (máx. posiciones)	°		47
Bisel (máx. posiciones)	°		47
0 grados inglete	horizontal	mm	50 x 216
	vertical	mm	90 x 15
45 grados inglete derecha	horizontal	mm	50 x 152
	vertical	mm	90 x 15
45 grados inglete izquierda	horizontal	mm	50 x 152
	vertical	mm	90 x 15
45 grados bisel izquierda	horizontal	mm	50 x 152
	vertical	mm	50 x 15

Batería		SFMCB201	SFMCB202	SFMCB204	SFMCB206
Voltaje	V _{CC}	18	18	18	18
Capacidad	Ah	1,5	2,0	4,0	6,0
Tipo		iones de litio	iones de litio	iones de litio	iones de litio

Cargador		SFMCB11	SFMCB12	SFMCB14
Voltaje de entrada	V _{CA}	230	230	230
Voltaje de salida	V _{CC}	18	18	18
Corriente	A	1,25	2	4

Nivel de presión acústica de acuerdo con la directiva EN 62841:

L_{pa} (presión acústica) 83,0 dB(A), incertidumbre (K) 3 dB(A)

L_{wa} (potencia acústica) 94,5 dB(A), incertidumbre (K) 3 dB(A)

Declaración de conformidad CE
DIRECTIVA SOBRE MAQUINARIA



SFMCB701 Sierra ingletadora compuesta deslizando

Stanley Europe declara que los productos descritos en el apartado "Datos técnicos" son conformes a las normas siguientes:

EN62841-1:2015, EN62841-3-9:2015+A11:2017

Estos productos también son conformes a la Directiva 2006/42/CE, 2014/30/UE y 2011/65/UE.

Para más información, póngase en contacto con STANLEY FATMAX a través de la siguiente dirección o consulte la parte posterior del manual.

El que suscribe es responsable de la compilación del archivo técnico y realiza esta declaración en nombre de STANLEY FATMAX.

Ed Higgins
Director - Herramientas eléctricas de consumo
Stanley Europe, Egide Walschaertsstraat 14-18,
2800 Malinas, Bélgica
08/05/2020

Garantía

Stanley Europe confía en la calidad de sus productos y ofrece a los consumidores una garantía de 12 meses a partir de la fecha de compra. Esta garantía es adicional a sus derechos legales y no los menoscaba en modo alguno. La garantía es válida dentro de los territorios de los Estados Miembros de la Unión Europea y del Área de Libre Comercio Europea.

Para reclamar la garantía, la reclamación se debe presentar de conformidad con las condiciones de STANLEY FATMAX y se debe presentar el comprobante de compra al vendedor o al agente técnico autorizado. Puede consultar las condiciones de la garantía de Stanley Europe de 1 año de duración y la ubicación de su agente técnico autorizado más cercano en el sitio web www.2helpU.com o poniéndose en contacto con su oficina local de Stanley Europe en la dirección que se indica en este manual.

Visite nuestro sitio web www.stanley.eu/3 para registrar su nuevo producto STANLEY FATMAX y recibir noticias sobre nuevos productos y ofertas especiales.

(Tradução das instruções originais)

Utilização pretendida

A serra de esquadria combinada deslizando SFMCB701 da STANLEY FATMAX foi concebida para serrar apenas madeira, plástico e metais não ferrosos. Esta ferramenta destina-se a utilização profissional bem como a utilizadores privados não profissionais.

Instruções de segurança

Avisos de segurança gerais relativos a ferramentas eléctricas



Atenção! Leia todos os avisos de segurança, instruções, ilustrações e especificações fornecidos com esta ferramenta eléctrica. O não cumprimento dos seguintes avisos e instruções pode resultar em choque eléctrico, incêndio e/ou ferimentos graves.

Guarde todos os avisos e instruções para futura referência. Em todos os avisos que se seguem abaixo, o termo "ferramenta eléctrica" refere-se à sua ferramenta alimentada pela rede eléctrica (com fios) ou por uma bateria (sem fios).

- 1. Segurança na área de trabalho**
 - a. Mantenha a área de trabalho limpa e bem iluminada.** As áreas desorganizadas ou escuras são propensas a acidentes.

- b. Não trabalhe com ferramentas eléctricas em áreas com risco de explosão, nas quais se encontrem líquidos, gases ou poeiras inflamáveis.**
As ferramentas eléctricas criam faíscas que poderão inflamar estas poeiras ou vapores.
- c. Mantenha crianças e outras pessoas afastadas durante a utilização da ferramenta eléctrica.** As distrações podem levar à perda do controlo da ferramenta.
- 2. Segurança eléctrica**
- a. As fichas da ferramenta eléctrica devem caber na tomada. Nunca modifique a ficha de forma alguma. Não utilize fichas adaptadoras com ferramentas eléctricas ligadas à terra.** As fichas não modificadas e as tomadas compatíveis reduzem o risco de choque eléctrico.
- b. Evite que o corpo entre em contacto com superfícies ligadas à terra, como tubos, radiadores, fogões e frigoríficos.** Se o seu corpo estiver "ligado" à terra, o risco de choque eléctrico é maior.
- c. As ferramentas eléctricas não podem ser expostas a chuva nem humidade.** A entrada de água numa ferramenta eléctrica aumenta o risco de choque eléctrico.
- d. Manuseie o cabo com cuidado. Nunca o utilize para transportar, puxar ou desligar a ferramenta eléctrica. Mantenha o cabo afastado de fontes de calor, substâncias oleosas, arestas aguçadas ou peças móveis.** Os cabos danificados ou emaranhados aumentam o risco de choque eléctrico.
- e. Quando trabalhar com uma ferramenta eléctrica ao ar livre, utilize um cabo de extensão apropriado para esse fim.** A utilização de um cabo adequado para uso ao ar livre reduz o risco de choque eléctrico.
- f. Se for inevitável trabalhar com uma ferramenta eléctrica num local húmido, utilize um dispositivo de corrente residual (RCD).** A utilização de um DCR reduz o risco de choque eléctrico.
- 3. Segurança pessoal**
- a. Mantenha-se alerta, tenha atenção ao que está a fazer e seja cuidadoso quando trabalhar com a ferramenta eléctrica. Não utilize uma ferramenta eléctrica quando estiver cansado ou sob o efeito de drogas, álcool ou medicamentos.** Um momento de distração durante a utilização de ferramentas eléctricas poderá resultar em ferimentos graves.
- b. Utilize equipamento de protecção pessoal. Use sempre protecção ocular.** O equipamento de protecção, como, por exemplo, uma máscara contra o pó, sapatos de segurança antiderrapantes, um capacete de segurança ou uma protecção auditiva, usado nas condições apropriadas, reduz o risco de ferimentos.
- c. Evite arranques involuntários. Certifique-se de que o gatilho da ferramenta está na posição de desligado antes de ligá-la à fonte de alimentação e/ou à bateria, segurar ou transportar a ferramenta.** Se mantiver o dedo sobre o interruptor ao transportar ferramentas eléctricas ou se as ligar à fonte de alimentação com o interruptor ligado, poderá originar acidentes.
- d. Retire eventuais chaves de ajuste ou chaves de fendas antes de ligar a ferramenta eléctrica.** Uma chave de porcas ou chave de ajuste deixada numa peça móvel da ferramenta poderá resultar em ferimentos.
- e. Não tente chegar a pontos fora do alcance. Mantenha-se sempre bem posicionado e equilibrado.** Desta forma, será mais fácil controlar a ferramenta eléctrica em situações inesperadas.
- f. Use vestuário adequado. Não use roupa larga ou jóias. Mantenha o cabelo, a roupa e as luvas afastados das peças móveis.** As roupas largas, as jóias ou o cabelo comprido podem ficar presos nestas peças.
- g. Se for prevista a montagem de dispositivos de extracção e recolha de poeiras, assegure-se de que estão ligados e que são utilizados de forma correcta.** A utilização de dispositivos de extracção de partículas pode reduzir os riscos relacionados com as mesmas.
- h. Não permita que a familiaridade resultante da utilização frequente de ferramentas lhe permita ser complacente e ignorar os princípios de segurança da ferramenta.** Uma acção descuidada pode causar ferimentos graves numa fracção de segundo.
- 4. Utilização e cuidados a ter com a ferramenta**
- a. Não sobrecarregue a ferramenta eléctrica. Utilize a ferramenta eléctrica correcta para o seu trabalho.** A ferramenta eléctrica adequada irá efectuar o trabalho de um modo mais eficiente e seguro se for utilizada de acordo com a capacidade para a qual foi concebida.
- b. Não utilize a ferramenta eléctrica se o interruptor não puder ser ligado nem desligado.** Qualquer ferramenta eléctrica que não possa ser controlada através do interruptor de alimentação é perigosa e tem de ser reparada.
- c. Desligue a ficha da tomada e/ou a bateria da ferramenta eléctrica antes de proceder a ajustes, trocar acessórios ou guardar ferramentas eléctricas.** Estas medidas de segurança preventivas reduzem o risco de ligar a ferramenta eléctrica acidentalmente.
- d. Mantenha as ferramentas eléctricas que não estiverem a ser utilizadas fora do alcance das crianças. Não permita que a ferramenta eléctrica seja utilizada por pessoas não familiarizadas com a mesma ou que não tenham lido estas instruções.**

As ferramentas eléctricas são perigosas nas mãos de pessoas que não possuam as qualificações necessárias para as manusear.

- e. **Manutenção de ferramentas eléctricas e acessórios.** Verifique se as peças móveis da ferramenta eléctrica estão alinhadas e não emperram, bem como se existem peças partidas ou danificadas ou quaisquer outras condições que possam afectar o funcionamento da mesma. Se a ferramenta eléctrica estiver danificada, esta não deve ser utilizada até que seja reparada. Muitos acidentes têm como principal causa ferramentas eléctricas com uma manutenção insuficiente.
 - f. **Mantenha as ferramentas de corte afiadas e limpas.** As ferramentas de corte sujeitas a uma manutenção adequada, com arestas de corte afiadas, emperram com menos frequência e controlam-se com maior facilidade.
 - g. **Utilize a ferramenta eléctrica, acessórios e peças de ferramenta de acordo com estas instruções, considerando as condições de trabalho e a tarefa a ser executada.** A utilização da ferramenta eléctrica para fins diferentes dos previstos poderá resultar em situações perigosas.
 - h. **Mantenha os punhos e as superfícies de fixação secos, limpos e sem óleo ou graxa.** Punhos e superfícies de fixação gordurosas não permitem o funcionamento e o controlo seguros em situações inesperadas.
- 5. Utilização e cuidados a ter com a ferramenta com baterias**
- a. **Carregue apenas com o carregador especificado pelo fabricante.** Um carregador adequado para um tipo de bateria pode causar um incêndio se for utilizado com outra bateria.
 - b. **Utilize ferramentas eléctricas apenas com baterias específicas.** A utilização de outras baterias pode dar origem a risco de danos e incêndio.
 - c. **Quando não utilizar a pilha, mantenha-a afastada de outros objectos metálicos, tais como cliques para papel, moedas, chaves, pregos, parafusos ou outros pequenos objectos metálicos que permitam fazer a ligação de um terminal para outro.** O curto-circuito de terminais de bateria pode causar queimaduras ou incêndio.
 - d. **Em condições abusivas, pode derramar líquido da bateria, devendo evitar o contacto. Se tocar acidentalmente no líquido, lave bem com água. Se o líquido entrar em contacto com os olhos, consulte um médico.** O líquido derramado da bateria pode causar irritação ou queimaduras.
 - e. **Não utilize uma bateria ou ferramenta que esteja danificada ou modificada.**

As baterias danificadas ou modificadas podem dar origem a um comportamento imprevisível e resultar em incêndio, explosão ou ferimentos.

- f. **Não exponha a bateria ou a ferramenta a fogo ou temperatura excessiva.** A exposição ao fogo ou a temperatura superior a 130 °C pode causar uma explosão.
 - g. **Siga todas as instruções de carregamento. Não carregue a bateria ou a ferramenta fora da gama especificada nas instruções.** O carregamento indevido ou a temperaturas fora da gama especificada podem causar danos na bateria e aumentar o risco de incêndio.
- 6. Assistência**
- a. **A sua ferramenta eléctrica só deve ser reparada por pessoal qualificado e só devem ser colocadas peças sobressalentes originais.** Desta forma, é garantida a segurança da ferramenta eléctrica.
 - b. **Nunca repare baterias danificadas.** A reparação de baterias danificadas só deve ser efectuada pelo fabricante ou por fornecedores de serviços autorizados.

Instruções de segurança para serras de esquadria

- ◆ **As serras de esquadria são concebidas para cortar madeira ou produtos semelhantes a madeira, não podem ser utilizados com discos de corte abrasivos para cortar materiais ferrosos, como barras, hastes, pernos, etc.** As poeiras abrasivas podem fazer com que a protecção inferior fique encravada. As faiscas provenientes de corte abrasivo podem queimar o resguardo inferior, o suplemento de corte de serra e outras peças de plástico.
- ◆ **Utilize sistemas de fixação para suportar a peça de trabalho, sempre que possível. Se apoiar a peça à mão, deve sempre mantê-la a uma distância de, pelo menos, 100 mm de qualquer lado da lâmina da serra. Não utilize esta serra para cortar peças demasiado pequenas para fixar em segurança ou segurar à mão.** Se colocar a mão demasiado perto da lâmina da serra, há um maior risco de ferimentos resultantes do contacto com a lâmina.
- ◆ **A peça de trabalho deve estar presa e fixada ou presa contra a guia e a mesa. Não avance a peça na direcção da lâmina ou faça qualquer tipo de corte "à mão livre".** As peças livres ou em movimento podem ser projectadas a alta velocidade, dando origem a ferimentos.
- ◆ **Empurre a serra para dentro da peça de trabalho. Não puxe a serra quando estiver inserida dentro da peça. Para fazer um corte, levante a cabeça da serra e puxe-a sobre a peça sem corte, arranque o motor, pressione a cabeça da serra para baixo e empurre a serra para dentro da peça.**

O corte do corte tirante pode fazer com que a lâmina da serra se coloque por cima da peça e projecte com violência na direcção do operador.

- ◆ **Nunca atravesse a mão para além da linha pretendida de corte à frente ou atrás da lâmina da serra.** Segurar a peça "com as mãos cruzadas", ou seja, segurando na peça à direita da lâmina da serra com a mão esquerda ou vice-versa é muito perigoso.
- ◆ **Não se coloque por trás da guia com uma das mãos a uma distância inferior a 100 mm de um dos lados da lâmina da serra para retirar aparas de madeira ou por qualquer outro motivo enquanto a lâmina estiver a girar.** A proximidade da lâmina da serra em movimento à sua mão pode não ser óbvia e causar ferimentos graves.
- ◆ **Inspeccione a peça de trabalho antes de fazer o corte. Se a peça estiver dobrada ou distorcida, fixe-a com a face distorcida exterior na direcção da guia. Certifique-se de que não há folga entre a peça, a guia e a mesa ao longo da linha do corte.** As peças dobradas ou distorcidas podem torcer ou desviar e causar aperto na lâmina da serra rotativa durante o corte. Não deve haver pregos ou objectos estranhos na peça.
- ◆ **Só deve utilizar a serra se a mesa não apresentar ferramentas, aparas de madeiras, etc., excepto a peça.** Os resíduos pequenos ou as aparas soltas de madeira ou outros objectos que entrem em contacto com a lâmina rotativa podem ser projectados a alta velocidade.
- ◆ **Corte apenas uma peça de cada vez.** As peças múltiplas empilhadas não podem ser fixadas ou escoradas e podem dobrar na lâmina ou desviar durante o corte.
- ◆ **Certifique-se de que a serra de esquadria está montada ou colocada numa superfície nivelada e firme antes de ser utilizada.** Uma superfície de trabalho nivelada e firme reduz o risco da serra de esquadria se tornar instável.
- ◆ **Planeie o trabalho. Sempre que alterar o ângulo de bisel ou de esquadria, certifique-se de que a guia ajustável está regulada correctamente para suportar a peça e não interfere com a lâmina ou o sistema de protecção.** Sem ligar a ferramenta e sem a peça na mesa, desloque a lâmina da serra através de um corte simulado para garantir que não há interferência ou perigo de corte da guia.
- ◆ **Forneça suporte adequado como extensões de mesa, cavaletes de serrador, etc., para uma peça com largura ou comprimento ao do tempo da mesa.** As peças com largura ou comprimento superior à mesa da serra de esquadria podem ficar inclinadas se não forem devidamente suportadas. Se a peça de corte ou a peça ficar inclinada, pode levantar o resguardo inferior ou ser projectada pela lâmina rotativa.
- ◆ **Não peça a outra pessoa para substituir a extensão da mesa ou como suporte adicional.**

O suporte instável da peça pode fazer com que a lâmina fique dobrada ou a peça desvie durante a operação de corte, puxando-o a si e à pessoa que o ajudar na direcção da lâmina rotativa.

- ◆ **A peça de corte não deve ficar encravada ou pressionada de modo algum contra a lâmina da serra rotativa.** Se estiver confinada, ou seja, se utilizar batentes de comprimento, a peça de corte pode ficar entalada entre a lâmina e projectada com violência.
- ◆ **Utilize sempre um sistema de fixação para apoiar correctamente material redondo, como hastes ou tubos.** As hastes têm tendência para rolar enquanto são cortadas, fazendo com que a lâmina fique presa e puxe a peça e a sua mão na direcção da lâmina.
- ◆ **Deixe a lâmina atingir a velocidade máxima antes de colocá-la em contacto com a peça.** Isto reduz o risco de projecção da peça.
- ◆ **Se a peça ou a lâmina ficarem encravadas, desligue a serra de esquadria. Aguarde até todas as peças em movimento pararem e desligue a ficha da fonte de alimentação e/ou retire a bateria. Em seguida, utilize a ferramenta para libertar o material encravado.** A serra continua com uma peça encravada pode causar perda de controlo ou danos na serra de esquadria.
- ◆ **Quando terminar o corte, liberte o gatilho, baixe a cabeça da serra e aguarde até a lâmina parar e depois retire a peça de corte.** É perigoso aproximar a mão enquanto a lâmina estiver a girar.

Instruções de segurança adicionais para serras de esquadria

- ◆ A utilização adequada é descrita neste manual de instruções. A utilização de qualquer acessório ou a realização de qualquer operação com este equipamento que não se inclua no presente manual de instruções poderá representar um risco de ferimentos pessoais e/ou danos materiais.
- ◆ Não utilize lâminas de serra rachadas/dobradas/danificadas/deformadas.
- ◆ Substitua a placa de corte de serra quando estiver gasta.
- ◆ Não utilize lâminas com um diâmetro superior ou inferior ao recomendado. Consulte os dados técnicos para obter a classificação da lâmina. Utilize apenas as lâminas especificadas neste manual e em conformidade com a norma 847-1.
- ◆ Não utilize lâminas de serra de aço rápido (HSS).



Atenção! O contacto ou a inalação de poeiras originadas pelas aplicações da serragem poderá colocar em perigo a saúde do operador ou das pessoas presentes. Utilize uma máscara especificamente concebida para protecção contra poeiras e vapores e certifique-se de que as pessoas perto da área de trabalho também estão protegidas.

- ◆ Não trabalhe com materiais que contenham amianto. O amianto é considerado cancerígeno.
- ◆ Utilize luvas quando manusear lâminas de serra e material rugoso (sempre que possível, as lâminas de serra devem ser transportadas numa caixa adequada).
- ◆ Use protecção auricular para reduzir o risco de perda de audição induzida.
- ◆ Considere a utilização de lâminas especialmente concebidas para a redução de ruído.
- ◆ Use protecção ocular para reduzir o risco de ferimentos.
- ◆ Utilize o saco para o pó fornecido quando serrar madeira.
- ◆ **Segure a ferramenta eléctrica apenas pelas superfícies isoladas específicas para o efeito ao efectuar uma operação em que o acessório de corte possa entrar em contacto com fios ocultos ou com o próprio cabo da ferramenta.** Cortar um acessório em contacto com um cabo "electrificado" poderá expor peças metálicas do sistema eléctrico da ferramenta e provocar um choque eléctrico ao operador
- ◆ Escolha a lâmina correcta para o material que pretende cortar.
- ◆ Não utilize a máquina sem que a protecção esteja colocada. Não utilize a máquina se a protecção não funcionar ou se não estiver nas condições adequadas.
- ◆ Certifique-se de que o suporte está devidamente fixado quando realizar cortes de biselamento.
- ◆ Antes de cada corte, certifique-se de que a máquina está estável.
- ◆ Mantenha as pegas secas, limpas e sem qualquer óleo ou gordura.
- ◆ Mantenha a área que rodeia a máquina arrumada e isenta de materiais soltos, por exemplo, lascas e aparas.
- ◆ Certifique-se de que a máquina e a área de trabalho dispõem de iluminação geral ou localizada adequada.
- ◆ Não permita que esta máquina seja utilizada por pessoas não qualificadas.
- ◆ Antes da utilização, certifique-se de que a lâmina está montada correctamente. Certifique-se de que a lâmina roda na direcção correcta. Mantenha a lâmina afiada. Siga as instruções relativas à lubrificação e à troca de acessórios.
- ◆ Certifique-se de que a velocidade assinalada na lâmina da serra é, pelo menos, igual à velocidade assinalada na serra.
- ◆ Certifique-se de que os espaçadores e anéis de eixo são adequados para o fim a que se destina, tal como indicado pela STANLEY FATMAX.
- ◆ As reparações no sistema de orientação da linha de corte devem ser efectuadas por agentes de reparação autorizados ou técnicos de manutenção da STANLEY FATMAX.
- ◆ Retire a bateria da máquina antes de realizar qualquer trabalho de manutenção ou mudar a lâmina.
- ◆ Nunca efectue qualquer limpeza, manutenção, remoção de aparas ou outras partes da peça da área de corte quando a máquina estiver em funcionamento e a cabeça da lâmina não estiver na posição de descanso.
- ◆ Se possível, monte sempre a máquina numa bancada.
- ◆ Certifique-se de que todos os manípulos e botões de bloqueio estão bem apertados antes de iniciar qualquer operação.
- ◆ Nunca utilize a sua serra sem o encaixe.
- ◆ Nunca tente parar rapidamente a máquina em movimento colocando uma ferramenta ou outro objecto contra a lâmina; se o fizer, poderá causar acidentes graves.
- ◆ Consulte o manual de instruções antes de utilizar ou instalar qualquer acessório. A utilização incorrecta de um acessório pode causar danos.
- ◆ Levante a lâmina do encaixe na peça antes de libertar o interruptor para ligar/desligar.
- ◆ Não introduza nenhum objecto contra a ventoinha para fixar o eixo do motor.
- ◆ O resguardo da lâmina na serra é levantado automaticamente quando o suporte é empurrado para baixo. É rebaixado sobre a lâmina quando o suporte é levantado. O resguardo pode ser levantado com a mão durante a colocação ou remoção das lâminas de serra ou a inspecção da serra. Nunca levante a protecção da lâmina manualmente, a menos que a máquina esteja desligada.
- ◆ Verifique periodicamente se as entradas de ventilação do motor estão limpas e sem aparas.
- ◆ Nunca desfigure os sinais de aviso existentes na ferramenta eléctrica.
- ◆ Não se coloque sobre a ferramenta eléctrica. Poderão ocorrer graves lesões se a ferramenta tombar ou se entrar em contacto com a lâmina de serra.
- ◆ Após a utilização da máquina, não toque na lâmina de serra antes que esta tenha arrefecido. A lâmina de serra fica bastante quente durante o funcionamento.
- ◆ Para evitar ferimentos causados pela projecção de materiais, retire a bateria da serra para evitar o arranque accidental e, em seguida, retire materiais pequenos.
- ◆ Antes da utilização e após qualquer trabalho de manutenção, a protecção da lâmina deve ser verificada para assegurar o funcionamento adequado.

Este teste deve ser efectuado com a serra desligada e sem a bateria. O braço tem de ser levantado e baixado para garantir que a protecção cobre a lâmina e que a lâmina não entra em contacto com a protecção.

Se a protecção não funcionar correctamente, solicite a respectiva reparação a um agente de reparação qualificado. Contacte o serviço de apoio ao cliente da STANLEY FATMAX para obter o agente de assistência mais próximo.

- ◆ **Esta serra de esquadria foi concebida para serrar apenas madeira, plástico e metais não ferrosos.** Não utilize a serra para cortar materiais diferentes dos recomendados pelo fabricante.
- ◆ Após a utilização da máquina, não toque na lâmina de serra antes que esta tenha arrefecido. A lâmina de serra fica bastante quente durante o funcionamento.



Atenção! O corte de plástico, madeira com seiva e outros materiais pode causar a acumulação do material derretido nas pontas da lâmina e na lâmina da serra, aumentando o risco de sobreaquecimento da lâmina e dobragem durante o corte.

Segurança de outras pessoas

- ◆ Este carregador pode ser utilizado por crianças com 8 anos de idade ou mais e por pessoas que apresentem capacidades físicas, sensoriais ou mentais reduzidas ou que não possuam os conhecimentos e a experiência necessários, se forem vigiadas e instruídas acerca da utilização do equipamento de uma forma segura e entenderem os perigos envolvidos.
- ◆ As crianças não devem mexer no equipamento. A limpeza e manutenção não devem ser efectuadas por crianças sem supervisão.

Riscos residuais

Os seguintes riscos são inerentes à utilização das serras: Mesmo após o cumprimento dos regulamentos de segurança relevantes e a implementação de dispositivos de segurança, alguns riscos residuais não podem ser evitados. Estes incluem:

- ◆ Ferimentos causados pelo contacto com peças em rotação/movimento.
- ◆ Danos auditivos.
- ◆ Risco de acidentes causados pelas partes não protegidas da lâmina de serra em rotação.
- ◆ Risco de ferimentos durante a troca de peças, lâminas ou acessórios.
- ◆ Risco de entalar os dedos quando abrir os resguardos.
- ◆ Perigos para a saúde causados pela inalação da poeira criada ao serrar madeira, especialmente carvalho, faia e aglomerado.

- ◆ Ferimentos causados pela utilização prolongada de uma ferramenta. Quando utilizar uma ferramenta durante períodos prolongados, certifique-se de que faz pausas regularmente.

Ruído

Os valores de emissão de ruído declarados foram medidos de acordo com um método de teste padrão e pode ser utilizado para comparar ferramentas.

Os valores de emissão de ruído declarados podem ser também utilizados numa avaliação precoce à exposição.

Atenção! A emissão de ruído durante a utilização da ferramenta eléctrica pode ser diferente dos valores declarados, dependendo da maneira como a ferramenta é utilizada, em especial o tipo de peça trabalhada.

Atenção! Use sempre protecção auricular adequado. Em algumas condições e duração de utilização, o ruído produzido pelo equipamento pode causar perda auditiva. Tenha em conta os seguintes factores que influenciam a exposição ao ruído:

- ◆ Use lâminas concebidas para reduzir a emissão de ruído,
- ◆ Use apenas lâminas bem afiadas e
- ◆ Utilize lâminas de serra de redução de ruído concebidas especificamente.

Etiquetas colocadas na ferramenta

Os seguintes pictogramas, assim como o código de data, estão indicados na ferramenta:



Atenção! Para reduzir o risco de ferimentos, o utilizador deve ler o manual de instruções.



Utilize óculos ou viseiras de protecção



Use uma protecção auditiva



Utilize uma máscara anti-poeira



Este produto não deve ser utilizado por crianças com menos de 16 anos



Mantenha as mãos afastadas da lâmina



Zona sem mãos: mantenha os dedos e os braços afastados de lâminas de serra em rotação



Utilize luvas quando manusear lâminas de serra



Não olhe fixamente para a luz de funcionamento

Instruções de segurança adicionais para baterias e carregadores

Atenção! O equipamento só pode ser utilizado com a fonte de alimentação fornecida com o mesmo.

Nota: A gama de temperaturas de funcionamento da ferramenta situa-se entre 4 °C e 40 °C.

Baterias

- ◆ Nunca tente abrir a bateria, seja qual for o motivo.
- ◆ Não exponha a bateria à água.
- ◆ Não armazene em locais onde a temperatura possa exceder os 40 °C.
- ◆ Carregue apenas a temperaturas ambiente entre 10 °C e 40 °C.
- ◆ Carregue apenas com o carregador fornecido com a ferramenta.
- ◆ Quando eliminar as baterias, siga as instruções indicadas na secção "Protecção do ambiente".



Não tente carregar baterias danificadas.

Carregadores

- ◆ Utilize o carregador Stanley FatMax apenas para carregar a bateria na respectiva ferramenta. Outras baterias podem rebentar, provocando ferimentos e danos.
- ◆ **Nunca tente carregar baterias não recarregáveis.**
- ◆ **Substitua os cabos defeituosos imediatamente.**
- ◆ Não exponha o carregador à água.
- ◆ Não abra o carregador.
- ◆ Não manipule o interior do carregador.



O carregador deve ser utilizado apenas em espaços interiores.



Leia o manual de instruções antes da utilização.

Segurança eléctrica



O carregador tem um isolamento duplo, pelo que não é necessário um fio de terra. Verifique sempre se a tensão de alimentação corresponde à tensão indicada na placa sinalética. Nunca substitua a unidade do carregador por uma tomada de alimentação normal.

- ◆ Se o cabo de alimentação estiver danificado, deve ser substituído pelo fabricante ou por um centro de assistência autorizado da Stanley FatMax para evitar acidentes.

Características

Esta ferramenta inclui algumas ou todas as características seguintes.

1. Gatilho
2. Punho
3. Furos de montagem
4. Protecção inferior
5. Botão de fixação da esquadria
6. Botão do trinco de esquadria
7. Placa de corte
8. Régua de esquadria
9. Indicador da régua de esquadria
10. Pegas de transporte
11. Guia
12. Botão de fixação do bisel
13. Calhas
- 13a. Fita de velcro
14. Saída para o pó
15. Bateria
16. Interruptor da luz de trabalho
17. Alavanca de desbloqueio
18. Parafuso de bloqueio da calha
19. Furo para montagem de fixação
20. Pino de fixação

Montagem (Fig. A)

A serra de esquadria está parcialmente montada na embalagem.

- ◆ Abra a caixa e levante a serra pelas pegas de transporte (10) na base da serra (Fig. A).
- ◆ Coloque a serra sobre uma superfície macia e plana, como uma bancada ou uma mesa forte.
- ◆ Verifique o diagrama de montagem na página 2 deste manual para familiarizar-se com a serra e as várias peças. A secção sobre ajustes diz respeito a estes termos e o utilizador deve saber o que são e onde estão instaladas.
- ◆ O botão de fixação da esquadria (5) não está montado para transporte. Retire o botão de fixação da esquadria (5) da embalagem e aperte-o na serra, consulte as Figuras G e J para saber qual é a posição.
- ◆ A serra tem uma saída do pó (14) integrada que permita a ligação de um saco para o pó (35) fornecido, mas não montado, ou de um sistema de vácuo de oficina (Fig. N).

Placa de corte (Fig. J)

A placa de corte (7) é montada na mesa com 6 parafusos. A altura da placa de corte (7) não é regulável.

Nota: Se a placa de corte (7) estiver gasta, danificada ou tiver de ser substituída, as reparações devem ser efectuadas por agentes de reparação autorizados ou técnicos de assistência da STANLEY FATMAX.

Pino de fixação (Fig. F)

Atenção! O pino de fixação SÓ pode ser utilizado para o transporte ou armazenamento da serra. NUNCA utilize o pino de fixação para qualquer operação de corte.

Nota: Para levantar, transportar e apoiar a serra de esquadria durante o transporte, utilize as duas pegas de transporte (10) situadas em ambos os lados da base da serra de esquadria (Fig. A).

Para fixar a cabeça da serra na posição descendente, empurre a cabeça da serra para baixo, empurre o pino de fixação (20) e liberte a cabeça da serra. Isto permite fixar a cabeça da serra com firmeza, para que possa transportar a serra de um local para outro. Para libertá-la, pressione a cabeça da serra para baixo e pressione o pino para fora.

Atenção! Certifique-se sempre de que a ferramenta está desligada e que retirou a bateria da ferramenta antes de ajustar ou verificar o funcionamento da ferramenta.

Carregar uma bateria (Fig. B)

A bateria tem de ser carregada antes da primeira utilização e sempre que não conseguir produzir energia suficiente em trabalhos habitualmente feitos sem dificuldade. A bateria pode aquecer quando carregar; isto é normal e não indica um problema.

Atenção! Não carregue a bateria a temperaturas ambiente inferiores a 10 °C ou superiores a 40 °C. Temperatura de carregamento recomendada: aproximadamente 24 °C.



Nota: O carregador não irá carregar a bateria se a temperatura das células for inferior a 10 °C ou superior a 40 °C.





A bateria não deve ser retirada do carregador para que este comece a carregar automaticamente quando a temperatura das células aquecer ou arrefecer.

Nota: Para assegurar o máximo desempenho e vida útil das baterias de íões de lítio, carregue a bateria totalmente antes de utilizar o produto pela primeira vez.

- ◆ Ligue o carregador (21) numa tomada adequada antes de inserir a bateria (15).
- ◆ O indicador luminoso de carga (21a) verde pisca de maneira contínua, o que significa que o processo de carga foi iniciado.
- ◆ A conclusão do processo de carga é indicada pelo indicador luminoso de carga verde (21a), que permanece ligado de maneira contínua. A bateria (15) é totalmente carregada e pode ser removida nesta altura ou pode deixá-la no carregador (21).
- ◆ As baterias descarregadas devem ser carregadas no intervalo de 1 semana. A vida útil de uma bateria diminuirá muito se for guardada descarregada.

Modos do LED do carregador

	A carregar: LED verde intermitente	
--	--	---

	Totalmente carregada: LED verde fixo	
	Retardação de calor/frio: LED verde intermitente LED vermelho fixo	

Nota: O(s) carregador(es) compatível(eis) não carrega(m) uma bateria defeituosa. Se a bateria estiver defeituosa, o indicador luminoso do carregador não se acende.

Nota: Isto pode também indicar que se trata de um problema no carregador. Se o carregador indicar uma falha, leve o carregador e a bateria a um centro de assistência autorizado para que sejam submetidos a um teste.

Deixar a bateria no carregador

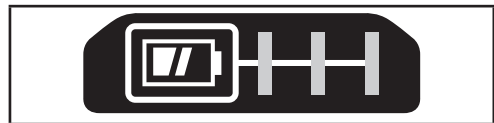
O carregador e a bateria podem permanecer ligados com o LED aceso indefinidamente. O carregador irá manter a bateria completamente carregada.

Retardação de calor/frio

Quando o carregador detecta que uma bateria está demasiado quente ou demasiado fria, inicia de imediato a retardação de calor/frio, o LED verde (21a) começa a piscar de maneira intermitente e o LED vermelho (21b) permanece aceso de maneira contínua, suspendendo o carregamento até a bateria atingir uma temperatura adequada. Em seguida, o carregador muda automaticamente para o modo de carga. Esta função assegura a duração máxima da bateria.

Indicador do estado de carga da bateria (Fig. C)

A bateria inclui um indicador do estado de carga para determinar rapidamente a duração da bateria, como indicado na Figura B. Ao pressionar o botão de estado de carga (15a), pode visualizar facilmente a carga restante na bateria, como indicado na Figura C.



Colocar e remover a bateria (Fig. D, E)

- ◆ Para colocar a bateria (15), alinhe-a com o receptáculo na ferramenta (22). Faça deslizar a bateria para dentro do receptáculo e puxe até que a bateria se encaixe devidamente.
- ◆ Para remover a bateria, pressione o botão de libertação da bateria (15b) enquanto retira a bateria do receptáculo, como indicado na Figura E.

Substituir ou instalar uma nova lâmina de serra (Fig. G, H, I)

Atenção! Para reduzir o risco de ferimentos graves, desligue a ferramenta e retire a bateria antes de transportar, efectuar quaisquer ajustes ou de retirar/instalar dispositivos complementares ou acessórios. Um arranque acidental pode causar lesões.

Remoção da lâmina

- ◆ Retire a bateria (15) da serra.
- ◆ Levante o braço para a posição superior e levante o resguardo inferior (4) o máximo possível.
- ◆ Afrouxe, mas não retire o parafuso dianteiro do suporte do resguardo (24) até ser possível levantar o suporte (25) o suficiente para aceder ao parafuso da lâmina (26). O resguardo inferior permanece levantado devido à posição do parafuso do suporte do resguardo.
- ◆ Pressione o botão de bloqueio do veio (28) enquanto roda manualmente a lâmina da serra (29) com cuidado até o engate ficar activado.
- ◆ Mantendo o botão pressionado, utilize a outra mão e o lado sextavado da chave fornecida para afrouxar o parafuso da lâmina (26). (Rode as roscas no lado esquerdo no sentido dos ponteiros do relógio.)
- ◆ Retire o parafuso da lâmina (26) utilizando o lado sextavado da chave fornecida, a anilha de fixação exterior (30) e a lâmina (29). Pode deixar a anilha de fixação interna (31) no eixo (32).

Instalar uma lâmina

- ◆ Retire a bateria (15) da serra.
- ◆ Com o braço levantado e o resguardo inferior (4) mantido aberto e o suporte do resguardo (25) levantado, insira a lâmina (29) no veio (32) e contra a anilha de fixação interior (31) com os dentes da lâmina a apontar no sentido de rotação, como indicado na serra.
- ◆ Monte a anilha de fixação exterior (30) no eixo (32).
- ◆ Coloque o parafuso da lâmina (26) e, fixando o bloqueio do eixo (28), aperte o parafuso (26) com firmeza com a chave fornecida (rode as roscas da esquerda no sentido contrário ao dos ponteiros do relógio).
- ◆ Coloque o suporte do resguardo (25) na posição original e aperte com firmeza o parafusos de suporte do resguardo (24) para fixar o suporte no respectivo local.

Sistema de orientação da linha de corte

Atenção! Não olhe fixamente para a luz de trabalho. Podem ocorrer lesões oculares graves.

Nota: A bateria deve ser carregada e ligada à serra de esquadria.

O sistema de orientação da linha de corte só pode ser ligado ou ligado com o interruptor da luz de trabalho (16).

Para cortar ao longo de um tracejado a lápis num pedaço de madeira, ligue o sistema de orientação da linha de corte utilizando o interruptor da luz de trabalho (16) (não ligue o gatilho principal) e depois puxe para baixo o punho (2) para aproximar a lâmina da serra da madeira.

O tracejado da lâmina aparece na placa de madeira. Este tracejado representa o material que a lâmina retira quando é feito um corte.

Para localizar correctamente o corte no tracejado, alinhe a linha com a extremidade da sombra da lâmina. Tenha em atenção que pode ser necessário ajustar os ângulos de esquadria ou bisel para que correspondam exactamente ao tracejado do lápis.

A serra está equipada com uma função de detecção de avarias na bateria. A luz de trabalho começa a piscar quando a carga da bateria está prestes a chegar ao fim da carga útil ou está demasiado quente. Carregue a bateria antes de continuar a efectuar trabalhos de corte. Consulte Procedimento de carregamento em Instruções importantes de segurança para baterias para obter instruções sobre o carregamento da bateria.

Controlo da esquadria (Fig. J)

O botão de fixação da esquadria (5) e o botão do trinco de esquadria (6) permite criar um ângulo de esquadria de 47° para a direita e de 47° para a esquerda. O trinco de esquadria é localizado automaticamente no ângulo de 0°, 15°, 22,5°, 31,6° e 45° tanto no lado esquerdo como direito. Para colocar a serra em esquadria, rode o botão de fixação da esquadria (5) para a direita para desbloquear o mecanismo de fixação da esquadria ou para a esquerda para bloqueá-lo. Puxe o botão do trinco de esquadria (6) para cima e regule o ângulo de esquadria pretendido na régua de esquadria (8). Rode o botão de fixação da esquadria (5) para a direita para bloqueá-lo.

Botão de bloqueio do bisel (Fig. K)

O bloqueio de bisel permite inclinar a serra num ângulo de 48° para a esquerda. Para ajustar a regulação do bisel, rode o botão de bloqueio do bisel (12) para a esquerda para soltá-lo. Para apertá-la, rode o botão de bloqueio de bisel no sentido dos ponteiros do relógio.

Cuidado! Perigo de entalamento. Aperte o botão de fixação do bisel antes de ajustar os comandos.

Gatilho (Fig. L)

Para ligar a serra, empurre a alavanca de desbloqueio (17) para a esquerda e depois pressione o gatilho (1). A serra funciona enquanto o gatilho for premido. Permita que a lâmina atinja a velocidade de funcionamento total antes de efectuar o corte. Para desligar a serra, liberte o gatilho. Aguarde até a lâmina parar antes de levantar a cabeça da serra. Não existem indicações para bloquear os gatilhos.

Está disponível um furo (1a) no gatilho para a colocação de um cadeado para bloquear a ferramenta.

A serra não está equipada com um travão automático eléctrico da lâmina, mas a lâmina da serra deve parar 5 segundos depois de premir o gatilho. Isto não é ajustável. Se o tempo de paragem for superior 5 segundos, a ferramenta deve ser reparada por um centro de assistência autorizado da Stanley FatMax.

Certifique-se de que a lâmina parou antes de retirá-la do corte.

Extracção de poeira (Fig. M)

Atenção! Para reduzir o risco de ferimentos graves, desligue a ferramenta e retire a bateria antes de transportar, efectuar quaisquer ajustes ou de retirar/instalar dispositivos complementares ou acessórios. Um arranque accidental pode causar lesões. A serra tem uma saída do pó (14) que permite ligar o saco para o pó (35) fornecido ou um sistema de vácuo de oficina.

Instalar o saco para o pó

- ◆ Instale o saco para o pó (35) na saída do pó (14) como indicado na Figura M.
- ◆ Pode ser instalado um tubo de vácuo (38, não fornecido) na saída do pó (14) em vez do saco para o pó (35). Para fazê-lo, instale o tubo de vácuo (38) em vez do saco para o pó (35), consulte a Figura M.
- ◆ Utilize a fita de velcro (13a) para manter o tubo de vácuo (38) afastado das calhas deslizantes (13) durante a utilização da serra.

Nota: A fita de velcro (13a) não é uma pega de transporte e não deve ser utilizada para mover ou transportar a serra.

Esvaziar o saco para o pó

- ◆ Retire o saco para o pó (35) da serra e agite ou bata ligeiramente no saco para esvaziá-lo.
- ◆ Volte a montar o saco para o pó na saída do pó (14). Irá verificar que não sai a totalidade da poeira do saco. Isto não afecta o desempenho de corte, mas reduz a eficácia de recolha de pó da serra. Para repor a eficácia de recolha de pó da serra, pressione a mola no interior do saco para o pó quando o esvaziar e toque na parte lateral do caixote do lixo ou do recipiente para o pó.

Atenção! Nunca utilize esta serra sem o sistema de recolha de poeira instalado. A serradura pode dar origem a problemas respiratórios.

Cortar com a serra

Se não utilizar a função de deslizamento, certifique-se de que a cabeça da serra está empurrada para trás o máximo possível e que o parafuso de bloqueio da calha (18) está apertado. Isto impede que a serra deslize ao longo das calhas à medida que a peça é encaixada.

Nota: NÃO CORTE METAIS FERROSOS OU ALVENARIA COM ESTA SERRA (PODE CORTAR METAIS NÃO FERROSOS COM ESTA SERRA. Não utilize quaisquer lâminas abrasivas.

Nota: Consulte Actuação e visibilidade do resguardo na secção Ajustes para obter informações importantes sobre o resguardo inferior antes de efectuar o corte.

Cortes transversais (Fig. N)

Um corte transversal é feito através do corte de madeira ao longo do grão em qualquer ângulo. Um corte transversal a direito é feito com o braço de esquadria na posição de grau zero. Regule e bloqueie o braço de esquadria para o valor zero, segure a placa de madeira com firmeza sobre a mesa e contra a guia. Com o parafuso de bloqueio da calha (18) apertado, ligue a serra pressionando o gatilho (1).

Quando a serra atingir a velocidade pretendida (cerca de 1 segundo), baixe o braço com cuidado e lentamente para cortar a madeira. Deixe a lâmina parar por completo antes de levantar o braço.

Quando cortar algum material com um tamanho superior a 2 x 4 (51 x 102), faça um movimento para fora/baixo/trás com o parafuso de bloqueio da calha (18) desapertado. Puxe a serra para fora na sua direcção, baixe a cabeça da serra na direcção da peça e empurre lentamente a serra para terminar o corte. Não deixe que a lâmina da serra entre em contacto com a parte superior da peça enquanto a puxa para fora. A serra pode mover-se na sua direcção, podendo causar ferimentos ou danos na peça.

Atenção! Utilize sempre um sistema de fixação de trabalho para manter o controlo e reduzir o risco de danos na peça e ferimentos, no caso de ser necessário manter as mãos a uma distância de 152 mm da lâmina durante o corte.

Nota! O botão de bloqueio das calhas (18) deve ser afrouxado para permitir que a serra deslize ao longo das calhas.

Os cortes transversais em esquadria são efectuados com o braço da esquadria num ângulo diferente de zero.

Este ângulo é, normalmente, de 45° para fazer cantos, mas pode ser regulado em qualquer local, desde zero a 47° para a esquerda ou 47° para a direita. Faça o corte, como descrito acima.

Se efectuar um corte de esquadria em peças com um tamanho superior a 2 x 6 que sejam mais curtos em comprimento, coloque sempre o lado mais comprido contra a guia (Fig. O).

Para cortar ao longo de um tracejado a lápis num pedaço de madeira, faça com que o ângulo seja o mais próximo possível. Corte a madeira com um tamanho ligeiramente maior e meça a partir do tracejado a lápis até à extremidade de corte para determinar em que direcção deve ajustar o ângulo de esquadria e corte de novo. Isto requer alguma prática, mas é uma técnica comum.

Cortes em bisel

Um corte em bisel é um corte transversal, em que a lâmina de corte está inclinada a um ângulo da madeira. Para regular o bisel, afrouxe o botão de bloqueio do bisel (12) e desloque a serra para a esquerda, conforme pretendido. Depois de regular o ângulo de bisel pretendido, aperte o bloqueio do bisel com firmeza. Os ângulos de bisel podem ser regulados de 3° para a direita até 48° para a esquerda.

Qualidade do corte

A suavidade do corte depende de vários factores. Por exemplo, o material que pretende cortar, o tipo de lâmina, se está afiada e a relação de corte contribuem todos para a qualidade do corte. Se for necessário efectuar cortes perfeitos para molduras e outros trabalhos de precisão, uma lâmina (de 60 dentes de ponta de carboneto) e um corte suave e uniforme produzem os resultados desejados.

Certifique-se de que o material não se desloca ou arrasta durante o corte; fixe-o bem no seu lugar.

Esperre sempre que a lâmina pare por completo, antes de levantar o braço. Se se formarem pequenos fragmentos de madeira na parte de trás da peça a trabalhar, cole um pedaço de fita cola na madeira onde o corte vai ser efectuado. Serre através da fita cola e retire-o depois cuidadosamente.

Para várias aplicações de corte, consulte a lista de lâminas de serra recomendadas para a sua serra e selecione a que melhor se adequa às suas necessidades. Consulte Lâminas de serra em Acessórios opcionais.

Posição do corpo e da mão (Fig. O1–O4)

O posicionamento correcto do seu corpo e das suas mãos durante o trabalho com a serra de esquadria torna o corte mais fácil, preciso e seguro. Nunca coloque as mãos perto da área de corte. Não coloque as mãos a uma distância inferior a 152 mm da lâmina. Fixe a peça com firmeza na mesa e na guia quando efectuar trabalhos de corte. Mantenha as mãos na respectiva posição, até o gatilho estar solto e a lâmina parar por completo.

FAÇA SEMPRE TESTES (SEM LIGAÇÃO À CORRENTE) ANTES DE CONCLUIR OS CORTES, PARA QUE POSSA VERIFICAR A TRAJECTÓRIA DA LÂMINA. NÃO CRUZE AS MÃOS, COMO INDICADO NA FIGURA O3.

Coloque os pés firmemente assentes no chão e mantenha o equilíbrio adequado. À medida que desloca o braço de esquadria para a esquerda ou direita, acompanhe-o e encoste-se ligeiramente na parte lateral da lâmina da serra. Quando seguir uma linha traçada a lápis, observe através dos deflectores de protecção.

Fixar a peça a trabalhar

Atenção! Para reduzir o risco de ferimentos graves, desligue a ferramenta e retire a bateria antes de transportar, efectuar quaisquer ajustes ou de retirar/installar dispositivos complementares ou acessórios. Um arranque acidental pode causar lesões.

Atenção! Uma peça que esteja fixada, equilibrada e segura antes de um corte pode tornar-se desequilibrado depois de um corte ser concluído. Uma carga não equilibrada pode fazer com que a serra fique inclinada ou qualquer acessório ao qual a serra esteja montada, tal como uma mesa ou bancada. Quando fizer um corte que possa ficar desequilibrado, apoie correctamente a peça e certifique-se de que a serra está devidamente fixada numa superfície estável. Podem ocorrer lesões pessoais.

Atenção! Quando o sistema de fixação é utilizado, o pé de fixação pode ficar demasiado fixo acima da base da serra. Fixe sempre a peça na base da serra e não a qualquer outra parte da área de trabalho. Certifique-se de que a base de fixação não está bloqueada na extremidade da base da serra.

Atenção! Utilize sempre um sistema de fixação de trabalho para manter o controlo e reduzir o risco de danos na peça e ferimentos, no caso de ser necessário manter as mãos a uma distância de 152 mm da lâmina durante o corte. Se não conseguir proteger a peça na mesa e contra a guia à mão (forma irregular, etc.) ou a sua mão estiver a uma distância inferior a 152 mm da lâmina, deve utilizar um grampo ou outro sistema de fixação.

Utilize o sistema de fixação de material fornecido com a serra. Para adquirir o sistema de fixação de material, contacte o revendedor local ou o centro de assistência da Stanley FatMax.

Outros sistemas de apoio, tais como pinças com molas, gastalhos ou grampos em forma de C, podem ser adequados para determinados tamanhos e tipos de material. Tenha cuidado quando seleccionar e instalar estes grampos. Demore o tempo necessário para um teste antes de efectuar o corte.

Instalar os grampos (Fig P)

- ◆ Insira-o no grampo (37) no furo (19) atrás da guia. O grampo deve estar virado para a parte de trás da serra de esquadria. A ranhura da haste do grampo deve estar totalmente inserida na base. Certifique-se de que esta ranhura está totalmente inserida na base da serra de esquadria. Se a ranhura for visível, significa que o grampo não está fixo.
- ◆ Rode a abraçadeira num ângulo de 180° para a frente da serra de esquadria.

- ◆ Afrouxe o botão para ajustar a abraçadeira para cima ou para baixo e depois utilize o botão de ajuste fino para fixar a peça com firmeza.

Nota: Coloque o grampo no lado oposto da base quando fizer trabalhos em bisel. EFECTUE SEMPRE TESTES (SEM LIGAÇÃO À CORRENTE) ANTES DE TERMINAR OS CORTES PARA VERIFICAR A TRAJECTÓRIA DA LÂMINA. CERTIFIQUE-SE DE QUE O GRAMPO NÃO INTERFERE COM O MOVIMENTO DA SERRA OU DOS RESGUARDOS.

Ajustes

A serra de esquadria está totalmente ajustada e de maneira precisa de origem aquando da altura de fabrico. Se for necessário ajustá-la novamente, em caso de transporte, manuseamento ou qualquer outro motivo, siga as instruções indicadas abaixo para ajustar a serra. Depois de os efectuar, estes ajustes devem permanecer precisos. Siga agora estas instruções com atenção para manter a precisão de que a serra é capaz.

Ajuste da régua de esquadria (Fig. Q1)

Bloqueie o braço na posição descendente. Desbloqueie o botão de bloqueio da esquadria (5) e rode o braço de esquadria até o botão do libertação de esquadria (6) o bloquear na posição de esquadria de 0°. Não bloqueie o botão de bloqueio de esquadria. Coloque um esquadro sobre a guia e a lâmina da serra, tal como indicado. (Não toque nas pontas dos dentes da lâmina com o esquadro. Se o fizer, a medição poderá não ser precisa.) Se a lâmina da serra não estiver totalmente perpendicular em relação à guia, desaperte e mova a guia do material até a lâmina ficar perpendicular à guia, de acordo com a medição com o esquadro. Neste momento, não preste atenção à indicação do indicador da esquadria.

Esquadro em bisel para o ajuste da tabela (Fig. Q2)

Para alinhar o esquadro da lâmina com a mesa, fixe o braço na posição descendente com o pino de fixação (20). Coloque um esquadro sobre a lâmina, certificando-se de que o esquadro não fica em cima dos dentes. Afrouxe o botão de bloqueio de bisel (5) e certifique-se de que o braço fica assente com firmeza contra o batente do bisel num ângulo de 0°. Rode o parafuso de ajuste do bisel com a chave de 12,7 mm (não fornecida) conforme necessário para que a lâmina fique a um bisel de 0° em relação à mesa, conforme medido com o esquadro.

Activação do resguardo e visibilidade (Fig. V)

Atenção! Perigo de entalamento. Para reduzir o risco de ferimentos, mantenha o polegar debaixo do punho quando puxa a pega para baixo. O resguardo inferior move-se para cima à medida que o punho é puxado para baixo, o que pode causar entalamento.

O resguardo inferior (4) que se encontra integrado na serra foi concebido para destapar automaticamente a lâmina quando o braço está rebaixado e para tapar a lâmina quando o braço está levantado. Antes de cada utilização ou depois de efectuar os ajustes, mova o braço (não ligado) e certifique-se de que o resguardo abre sem problemas e fecha-se por completo. Não deve entrar em contacto com a lâmina. Com o braço levantado, levante o resguardo (não ligado) conforme indicado na Figura V e solte-o. O resguardo deve fechar por completo e com rapidez. Não utilize a serra se o resguardo não se movimentar livremente e fechar totalmente e de imediato. Nunca fixe ou prenda o resguardo numa posição aberta quando utilizar a serra. O resguardo pode ser levantado com a mão durante a colocação ou remoção das lâminas de serra ou a inspecção da serra. **NUNCA LEVANTE O RESGUARDO INFERIOR MANUALMENTE, A NÃO SER QUE A LÂMINA ESTEJA PARADA.**

Nota: Alguns cortes especiais de material de grande dimensão requerem a elevação manual do resguardo. Consulte Cortar material grande em Cortes especiais. A parte frontal do resguardo tiver persianas para uma melhor visibilidade durante o corte. Embora as alhetas reduzam dramaticamente a expulsão de aparas, existem aberturas nos resguardos, pelo que óculos de protecção devem ser usados sempre.

Guia da calha

Verifique periodicamente as calhas (13) em termos de folgas ou obstruções. Os varões podem ser limpos com um pano limpo e seco.

Cortar molduras, tracejados e outros objectos rectangulares (Fig. R1, R2)

Para melhor compreender como criar os objectos indicados aqui, sugerimos que experimente alguns projectos simples utilizando aparas de madeira até dominar a serra. A sua serra é a ferramenta perfeita para fazer cortes angulares como indicado na Figura R1. O Esboço A na Figura R2 mostra uma união feita pela utilização do ajuste do bisel para inclinar as extremidades de duas tábuas a um ângulo de 45° cada para criar um ângulo de 90°. Para esta união, o braço de esquadria foi colocado na posição zero e o ajuste de bisel foi bloqueado num ângulo de 45°. A madeira foi colocada com o lado largo sobre a mesa e a face mais estreita contra o apoio. O corte pode ser feito cortando em ângulo à direita e à esquerda, com a superfície larga contra a guia.

Corte de molduras e outras armações (Fig. R2)

O esquema B na Figura R2 mostra uma união ao regular o braço de esquadria a um ângulo de 45° para fazer a esquadria em duas placas para formar um ângulo de 90°.

Para criar este tipo de junta, regule o ajuste de bisel para zero e o braço de esquadria para 45°. Posicione novamente a placa de madeira com o lado largo e a face mais estreita contra o apoio.

As Figuras R1 e R2 destinam-se apenas a objectos de quatro lados. Se o número de lados mudar, mudam-se também os ângulos de bisel e de esquadria. O gráfico abaixo mostra os ângulos adequados para vários tipos de formas.

Exemplos

Número de lados	Esquadria ou ângulo de bisel
4	45°
5	36°
6	30°
7	25,7°
8	22,5°
9	20°
10	18°

O gráfico presume que todos os lados têm um comprimento igual. Para obter uma forma que não esteja indicada no gráfico, utilize o seguinte sistema: 180° dividido pelo número de lados é igual ao ângulo de esquadria (se o material for cortado na vertical) ou de bisel (se o material for cortado na horizontal).

Corte de meia-esquadria composta (Fig. R3)

Uma esquadria composta é um corte feito utilizando ao mesmo tempo um ângulo de esquadria e um ângulo de inclinação. Este é o tipo de corte utilizado para fazer armações ou caixas com lados inclinados, como mostrado na Figura R3.

Nota: Se o ângulo de corte variar de corte para corte, controle se o botão de fixação de inclinação e o botão de fixação de esquadria estão bem seguros. Estes botões devem estar bem apertados, depois de fazer qualquer modificação na inclinação ou na esquadria. O gráfico indicado no final deste manual (Tabela 1) pode ajudá-lo a escolher as regulações de bisel e esquadria adequadas para cortes comuns de meia-esquadria composta. Para utilizar a tabela, seleccione o ângulo "A" (Fig. R3) pretendido para o seu projecto e coloque esse ângulo no arco adequado na tabela. A partir desse ponto siga a tabela precisamente para encontrar o ângulo correcto da inclinação e passe para o outro lado para encontrar o ângulo devido da esquadria. Coloque a sua serra nos ângulos descritos e faça uns cortes de experiência. Pratique esse corte de peças até aperfeiçoar este procedimento e sentir-se à vontade com o mesmo.

Exemplo: Para fazer uma caixa de 4 lados com ângulos exteriores de 26° (ângulo A, Fig. R3), use o arco direito superior. Procure 26° na régua do arco. Siga a linha de intersecção horizontal de cada lado, para obter a posição do ângulo de esquadria na serra (42°). Igualmente, siga a linha de intersecção vertical até ao topo ou ao fundo, para obter a posição do ângulo em bisel na serra (18°). Experimente sempre os cortes em pedaços de madeira, para verificar as posições na serra.

Corte da moldura base (Fig. S)

Cortes de 90° a direito:

Coloque a madeira sobre a guia e mantenha-a nessa posição, como indicado na Figura S. Ligue a serra, aguarde até a lâmina atingir a velocidade máxima e baixe o braço com cuidado através do corte.

Corte da moldura base até 90 mm de altura na vertical contra a guia

Coloque o material como indicado na Figura S. Todos os cortes devem ser efectuados com a parte de trás da moldura contra a guia e com a parte inferior da moldura contra a mesa.

	Ângulo interior	Ângulo exterior
Lado esquerdo	Esquadria 45° à esquerda Resguarde o lado esquerdo do corte	Esquadria 45° à direita Resguarde o lado esquerdo do corte
Lado direito	Esquadria 45° à direita Resguarde o lado direito do corte	Esquadria 45° à esquerda Resguarde o lado direito do corte

O material com um tamanho até 90 mm ser cortado de acordo com o procedimento indicado acima.

Corte de molduras de coroa

De modo a encaixar correctamente, a moldura em coroa deve ser colocada em esquadria meia-composta.

As duas superfícies planas num determinado pedaço de moldura em coroa estão numa posição de ângulo que, quando adicionadas, equivalem precisamente a 90°. A maioria, mas não todas, as molduras em coroa tem um ângulo traseiro superior (a secção que encaixa no tecto) de 52° e um ângulo traseiro inferior (a parte que encaixa na parede) de 38°.

A serra de esquadria inclui pontos de lingueta de esquadria predefinidos especiais a um ângulo de 31,6° à esquerda e à direita para o corte de moldura em coroa no ângulo adequado. Existe também uma marca na régua de bisel a 33,8°.

O gráfico Regulação do bisel/tipo de corte indica as regulações adequadas para o corte da moldura de coroa. (Os números das regulações de esquadria e bisel são muito precisos e não é fácil regulá-los com rigor na serra.)

Uma vez que a maioria das salas não têm ângulos precisos de 90°, terá de ajustar as suas regulações.

Instruções para o corte de molduras em coroa na horizontal e utilizando características compostas

- ◆ Coloque a moldura com a superfície traseira larga na horizontal na mesa da serra (36) (Fig T1).
- ◆ As regulações indicadas abaixo dizem todas respeito a molduras de coroa padrão com ângulos de 52° e 38°.

Regulação do bisel	Tipo de corte
33,8°	LADO ESQUERDO, CANTO INTERIOR: 1. Parte superior da moldura virada para a guia 2. Mesa de esquadria regulada 31,62° à direita 3. Resgarde a extremidade esquerda do corte
33,8°	LADO DIREITO, CANTO INTERIOR: 1. Parte inferior da moldura virada para a guia 2. Mesa de esquadria regulada 31,62° à esquerda 3. Resgarde a extremidade esquerda do corte
33,8°	LADO ESQUERDO, CANTO EXTERIOR: 1. Parte inferior da moldura virada para a guia 2. Mesa de esquadria regulada 31,62° à esquerda 3. Resgarde a extremidade direita do corte
33,8°	LADO DIREITO, CANTO EXTERIOR: 1. Parte superior da moldura virada para a guia 2. Mesa de esquadria regulada 31,62° à direita 3. Resgarde a extremidade direita do corte

Nota: Quando regular os ângulos de bisel e de esquadria para todas as esquadrias meio-composta, tenha em atenção que os ângulos apresentados para as molduras de coroa são muito precisas e difíceis de regular com rigor. Uma vez que podem mudar ligeiramente e com facilidade, e devido ao facto de muito poucas salas terem cantos quadrados precisos, todas as regulações devem ser testadas em molduras de refugo.

Método alternativo para corte em moldura de coroa

Coloque a moldura a um ângulo entre a guia (11) e a mesa da serra (36), com o lado superior da moldura sobre a mesa e a parte inferior da moldura sobre a guia, como indicado na Figura T1.

A vantagem de cortar molduras de coroa através deste método é o facto de não ser necessário um corte em bisel. Podem ser efectuadas pequenas alterações no ângulo de esquadria sem afectar o ângulo de bisel. Deste modo, se houver ângulos que tenham 90°, é possível ajustar a serra de maneira de maneira fácil e rápida.

Instruções para cortar molduras em coroa em ângulo entre a guia e a base da serra para todos os cortes

Esta serra tem capacidade para cortar molduras em coroa aninhadas de 14 mm x 92 mm.

- ◆ Incline a moldura de modo a que a parte inferior da moldura (a parte que fica virada para a parede quando é instalada) fica virada contra a guia (11) e a parte superior da moldura fica encostada na mesa da serra (36), como indicado na Figura T2.
- ◆ A “parte plana” em ângulo na parte de trás da moldura deve permanecer em esquadria na guia e na mesa da serra (36).

	Ângulo interior	Ângulo exterior
Lado esquerdo	Esquadria 45° à direita Resgarde o lado direito do corte	Esquadria 45° à esquerda Resgarde o lado direito do corte
Lado direito	Esquadria 45° à esquerda Resgarde o lado esquerdo do corte	Esquadria 45° à direita Resgarde o lado esquerdo do corte

Cortes especiais

Nunca faça quaisquer cortes a menos que o material esteja fixado na mesa e contra a guia.

Material dobrado (Fig. U1, U2)

Quando cortar material dobrado, posicione-o sempre conforme descrito na Figura U1 e nunca como indicado na Figura U2. Se posicionar incorrectamente o material, a lâmina pode ficar presa quando o trabalho estiver quase concluído.

Cortar material redondo

O material redondo deve ser fixado ou segurado com firmeza na guia para impedir que deslize. Isto é muito importante quando fizer cortes em ângulo.

Corte de material comprido (Fig. V)

Pode encontrar ocasionalmente pedaços de madeira um pouco maiores que se encaixem debaixo do resguardo inferior.

Para retirar o resguardo sobre a madeira, com a serra desligada e a mão direita no punho, coloque o polegar direito fora da parte superior do resguardo e rode o resguardo para cima o suficiente para retirar a madeira, como indicado na Figura V.

Liberte o resguardo antes de ligar o motor. O mecanismo do resguardo funciona correctamente durante o corte. Só deve fazê-lo quando for necessário.

NUNCA AMARRE, COLE NEM MANTENHA O RESGUARDO ABERTO QUANDO UTILIZAR ESTA SERRA.

Manutenção

Atenção! Para reduzir o risco de ferimentos graves, desligue a ferramenta e retire a bateria antes de transportar, efectuar quaisquer ajustes ou de retirar/instalar dispositivos complementares ou acessórios. Um arranque acidental pode causar lesões.

Atenção! Para reduzir o risco de ferimentos graves, não toque nas partes afiadas da lâmina com os dedos ou mãos enquanto efectua qualquer trabalho de manutenção. NÃO utilize lubrificantes ou produtos de limpeza (especialmente pulverizantes ou aerossóis) perto do resguardo de plástico. O material em policarbonato utilizado no resguardo está sujeito a ataques por determinados produtos químicos.

- ◆ Todos os mancais estão selados. Estão lubrificados de maneira permanente e não necessitam de manutenção.
- ◆ Limpe periodicamente todas as aparas de madeira e pó em torno E DEBAIXO da base e da mesa rotativa. Apesar do equipamento ter ranhuras para permitir a passagem de resíduos, pode haver acumulação de poeira.
- ◆ As escovas são concebidas para vários anos de utilização. Se for necessário substituí-las, entregue a ferramenta no centro de assistência mais próximo para reparação.

Resolução de problemas

Problema	Causa possível	Solução
A serra não funciona.	A bateria não está instalada.	Coloque a bateria. Consulte Instalar e retirar a bateria.
	A bateria não está carregada.	Carregue a bateria. Consulte Procedimento de carregamento.
	As escovas estão gastas	As escovas devem ser substituídas no centro de assistência autorizado.
A serra não faz cortes satisfatórios.	A lâmina não corta bem.	Substitua a lâmina. Consulte Substituir ou instalar uma nova lâmina de serra.
	A lâmina está montada ao contrário.	Rode a lâmina. Consulte Substituir ou instalar uma nova lâmina de serra.
	Cola ou resina na lâmina.	Retire a lâmina e limpe-a com palha de aço grossa e terebentina ou um produto de limpeza para fornos de cozinha.
	A lâmina não é adequada para este tipo de trabalho.	Mude de tipo de lâmina.
A luz de trabalho está intermitente.	A bateria não está carregada	Carregue a bateria. Consulte Procedimento de carregamento.
A máquina vibra de maneira excessiva.	A serra não está montada com firmeza no suporte ou na bancada.	Aperte todo o material de montagem. Consulte Montagem em bancada.
	O suporte ou a bancada estão sobre um piso irregular.	Volte a posicioná-la numa superfície plana e nivelada.
	A lâmina da serra está danificada.	Substitua a lâmina. Consulte Substituir ou instalar uma nova lâmina de serra.

Problema	Causa possível	Solução
Não faça cortes em esquadria precisos.	A régua de esquadria não está ajustada correctamente.	Verifique e ajuste-a. Consulte Ajuste da régua de esquadria em Ajustes.
	A lâmina não está em esquadria com a guia.	Verifique e ajuste-a. Consulte Ajuste da régua de esquadria em Ajustes.
	A lâmina não está perpendicular à mesa.	Verifique e ajuste a guia. Consulte Esquadro em bisel para o ajuste da tabela em Ajustes.
	Grampo da peça móvel	Fixe a peça com firmeza na guia ou cole uma lixa de grão 120 na guia com cola de borracha.
	A placa de corte está gasta ou danificada.	Leve-a para um centro de assistência autorizado.
O material está a dobrar a lâmina.	Cortar material dobrado.	Consulte Material dobrado em Cortes especiais.

Proteger o meio ambiente



Faça uma recolha de lixo selectiva. Os produtos e as baterias assinalados com este símbolo não devem ser eliminados em conjunto com os resíduos domésticos normais.

Os produtos e as baterias contêm materiais que podem ser recuperados ou reciclados, reduzindo assim a necessidade de matérias-primas. Recicle os produtos eléctricos e as baterias de acordo com as disposições locais. Estão disponíveis mais informações em www.2helpU.com

Dados técnicos

SFMCS701 (H1)			
Tensão	V		18
Velocidade	/min		3800
Diâmetro exterior da lâmina	mm		190
Diâmetro do furo	mm		16
Corte máx. da lâmina	mm		1,8
Peso sem bateria	kg		10
Espessura da lâmina	mm		1,0
Esquadria (posições máx.)	°		47
Bisel (posições máx.)	°		47
0 graus de esquadria	horizontal	mm	50 x 216
	vertical	mm	90 x 15
45 graus de esquadria para a direita	horizontal	mm	50 x 152
	vertical	mm	90 x 15
45 graus de esquadria para a esquerda	horizontal	mm	50 x 152
	vertical	mm	90 x 15
45 graus de bisel para a esquerda	horizontal	mm	50 x 152
	vertical	mm	50 x 15

Bateria		SFMCB201	SFMCB202	SFMCB204	SFMCB206
Tensão	V _{CC}	18	18	18	18
Capacidade	Ah	1,5	2,0	4,0	6,0
Tipo		lões de lítio	lões de lítio	lões de lítio	lões de lítio

Carregador		SFMCB11	SFMCB12	SFMCB14
Tensão de entrada	V _{CA}	230	230	230
Tensão de saída	V _{CC}	18	18	18
Corrente	A	1,25	2	4

Nível de pressão acústica de acordo com EN 62841:

L_{pa} (pressão acústica): 83,0 dB(A), variabilidade (K): 3 dB(A)

L_{wa} (potência acústica): 94,5 dB(A), variabilidade (K): 3 dB(A)

Declaração de conformidade da CE
DIRECTIVA "MÁQUINAS"



SFMC5701 Serra de esquadria composta deslizante sem fio

A Stanley Europe declara que os produtos descritos em "dados técnicos" se encontram em conformidade com as seguintes normas e directivas:

EN62841-1:2015, EN62841-3-9:2015+A11:2017

Além disso, estes produtos também se encontram em conformidade com a Directiva 2006/42/CE, 2014/30/UE e 2011/65/UE.

Para obter mais informações, contacte a STANLEY FATMAX através da morada indicada a seguir ou consulte o verso do manual.

O abaixo assinado é responsável pela compilação do ficheiro técnico e faz esta declaração em nome da STANLEY FATMAX.

Ed Higgins
Director – Ferramentas eléctricas domésticas
Stanley Europe, Egide Walschaertsstraat 14-18,
2800 Mechelen, Bélgica
08/05/2020

Garantia

A Stanley Europe confia na qualidade dos seus produtos e oferece aos clientes uma garantia de 12 meses a partir da data de compra. Esta garantia é um complemento dos seus direitos estabelecidos por lei e não os prejudica de forma alguma. A garantia é válida nos Estados-membros da União Europeia e nos países-membros da Zona Europeia de Comércio Livre.

Para accionar a garantia, esta deve estar em conformidade com os termos e condições da STANLEY FATMAX e terá de apresentar comprovativos de compra ao vendedor ou a um técnico de reparação autorizado. Os termos e condições da garantia de 1 ano da Stanley Europe e a localização do agente de reparação autorizado mais próximo pode ser obtido na Internet em www.2helpU.com ou contactando uma filial local da Stanley Europe, cuja morada está indicada neste manual.

Visite o nosso Website www.stanley.eu/3 para registar o novo produto STANLEY FATMAX e manter-se actualizado relativamente a novos produtos e ofertas especiais.

(Översättning av originalanvisningarna)

Avsedd användning

Den här kap- och geringssågen från STANLEY FATMAX SFMC5701 är endast avsedd för sågning av trä, plast och icke-järnhaltiga metaller. Verktöget är avsett för yrkesanvändare och privatkonsumenter.

Säkerhetsinstruktioner

Allmänna säkerhetsvarningar för elverktyg



Varning! Läs alla säkerhetsvarningar, instruktioner, illustrationer och specifikationer som levereras med detta elverktyg. Underlåtenhet att följa de nedanstående varningarna och instruktionerna kan resultera i elektrisk stöt, eldsvåda och/eller allvarlig personskada.

Spara alla varningar och instruktioner för framtida referens. Termen "elverktyg" i varningarna syftar på ditt starkströmsdrivna (sladdanslutna) elverktyg eller batteridrivna (sladdlösa) elverktyg.

1. **Säkerhet vid arbetsområdet**
 - a. **Se till att arbetsområdet är rent och väl belyst.** Belamrade eller mörka områden inbjuder till olyckor.
 - b. **Använd inte elverktöget i explosionsfarlig omgivning, t.ex. i närheten av brännbara vätskor, gaser eller damm.** Elektriska verktyg ge upphov till gnistor som kan antända dammet eller ångorna.
 - c. **Håll barn och andra obehöriga personer på avstånd vid arbete med elverktöget.**

Distractioner kan göra att du förlorar kontrollen.

2. Elektrisk säkerhet

- a. **Elverktøjets stickkontakt måste passa i eluttaget. Modifiera aldrig kontakten på något sätt. Använd inte några adapterkontakter med jordanslutna (jordade) elektriska verktyg.** Icke modifierade kontakter och matchande uttag minskar risken för elektrisk stöt.
- b. **Undvik kroppskontakt med jordade ytor, t.ex. rör, värmelement, spisar och kylskåp.** Det finns en ökad risk för elektrisk stöt om din kropp är jordansluten eller jordad.
- c. **Utsätt inte elverktøjet för regn eller våta omgivelningar.** Vatten som kommer in i ett elverktøj ökar risken för elektrisk stöt.
- d. **Hantera nätsladden varsamt. Använd aldrig sladden till att bära, dra eller koppla bort elverktøjet från eluttaget. Håll sladden borta från värme, olja, skarpa kanter eller rörliga delar.** Skadade eller tilltrasslade sladdar ökar risken för elektrisk stöt.
- e. **Använd en förlängningsladd som är godkänd för utomhusbruk när du arbetar med elverktøj utomhus.** Användning av en sladd som passar för utomhusanvändning minskar risken för elektrisk stöt.
- f. **Om du måste använda ett elverktøj på en fuktig plats, bör du använda en strömförsörjning med jordfelsbrytare.** Användning av en RCD minskar risken för elektrisk stöt.

3. Personlig säkerhet

- a. **Var uppmärksam, se på vad du gör och använd sunt omdöme när du använder elverktøjet. Använd inte ett elverktøj när du är trött eller påverkad av droger, alkohol eller medicinering.** Ett ögonblicks uppmärksamhet när du arbetar med elektriska verktyg kan resultera i allvarlig personskada.
- b. **Använd personlig skyddsutrustning. Använd alltid skyddsglasögon.** Skyddsutrustning såsom dammskyddsmask, halssäkra säkerhetsskor, skyddshjälm eller hörselskydd som används när förhållandena kräver det minskar personskador.
- c. **Förhindra oavsiktlig start. Se till att strömbrytaren är i fränläge innan du ansluter till strömkällan och/eller batteripaketet, lyfter upp eller bär verktyget.** Att bära elektriska verktyg med fingret på strömbrytaren eller att koppla strömmen till elektriska verktyg som har strömbrytaren på är att provocera olyckor.
- d. **Ta bort alla inställningsverktyg och skruvnycklar innan du startar elverktøjet.** En skiftnyckel eller en nyckel som sitter kvar på en roterande del av elverktøjet kan resultera i personskada.
- e. **Sträck dig inte för mycket. Ha ordentligt fotfäste och balans hela tiden.**

Detta möjliggör bättre kontroll av elverktøjet i oväntade situationer.

- f. **Bär lämpliga kläder. Bär inte lösa kläder eller smycken. Håll hår, beklädnad och handskar borta från delar i rörelse.** Lösa kläder, smycken eller långt hår kan fastna i rörliga delar.
 - g. **Om elverktøjet har dammutsugnings- och uppsamlingsutrustning kontrollera du att den är monterad och används på korrekt sätt.** Användning av dammuppsamling kan minska dammrelaterade faror.
 - h. **Bli inte vårdslös och ignorera inte säkerhetsprinciperna trots att du är van att använda verktyg.** Vårdslöst handlande kan leda till allvarlig kroppsskada på en bråkdel av en sekund.
- ## 4. Användning och skötsel av elverktøj
- a. **Överbelasta inte elverktøjet. Använd det korrekta elverktøjet för ditt arbete.** Rätt elverktøj gör arbetet bättre och säkrare vid den hastighet som det har konstruerats för.
 - b. **Använd inte elverktøjet om det inte kan startas och stängas av med strömbrytaren.** Ett elverktøj som inte kan kontrolleras med strömbrytaren är farligt och måste repareras.
 - c. **Dra stickkontakten ur vägguttaget och/eller ta ut batteriet ur elverktøjet innan inställningar görs, tillbehörsdelar byts ut eller elverktøjet ställs undan.** Sådana förebyggande säkerhetsåtgärder minskar risken att oavsiktligt starta elverktøjet.
 - d. **Förvara elverktøj utom räckhåll för barn. Låt inte personer som inte är vana vid elverktøjet eller som inte läst denna bruksanvisning använda det.** Elektriska verktyg är farliga i händerna på utbildade användare.
 - e. **Underhåll elverktøj och tillbehör. Kontrollera för feljustering eller om rörliga delar har fastnat, bristning hos delar och andra eventuella förhållanden som kan komma att påverka elverktøjet funktion. Om det är skadat, se till att elverktøjet blir reparerat före användning.** Många olyckor orsakas av dåligt underhållna elektriska verktyg.
 - f. **Håll kapverktyg vassa och rena.** Det finns mindre risk att ordentligt skötta kapningsverktyg med vassa blad fastnar och de är lättare att kontrollera.
 - g. **Använd elverktøj, tillbehör, bits m.m. enligt dessa anvisningar, samtidigt som arbetsförhållandena och det arbete som ska utföras beaktas.** Användningen av elverktøjet för andra verksamheter än de som det är avsett för skulle kunna resultera i en farlig situation.
 - h. **Se till att handtagen och greppytorna är torra och fria från olja och fett.** Håla handtag och greppytorna förhindrar säker hantering och kontroll av verktyget i oväntade situationer.

5. **Användning och skötsel av batteridrivet verktyg**
 - a. **Ladda endast med den laddare som är specificerad av tillverkaren.** En laddare som passar en batterityp kan medföra brandrisk om den används ihop med ett annat batteri.
 - b. **Använd endast de batteripaket som är speciellt avsedda för elverktyget.** Användning av andra batterier kan leda till personskador eller eldsvåda.
 - c. **När batteriet inte används ska du hålla det åtskilt från metallföremål som gem, mynt, nycklar, spik, skruvar och andra små metallföremål som kan orsaka kortslutning mellan batteriets poler.** Kortslutning av batteripolerna kan leda till brännskador eller eldsvåda.
 - d. **Under olämpliga förhållanden kan vätska spruta ut från batteriet.** Förhållanden. Vid oavsiktlig kontakt, spola med vatten. Om vätskan kommer i kontakt med ögonen, sök också läkarhjälp. Vätska som sprutar ur batteriet kan orsaka sveda och brännskador.
 - e. **Använd inte ett batteripaket eller ett verktyg som är defekt eller modifierat.** Defekta eller modifierade batterier kan fungera oförutsägbart och ge upphov till brand, explosion eller risk för kroppsskador.
 - f. **Utsätt inte batteripaketet eller verktyget för eld eller höga temperaturer.** Utsättande för eld eller temperaturer över 130 °C kan orsaka explosioner.
 - g. **Följ alla instruktioner gällande laddningen och ladda inte batteripaketet eller verktyget utanför det temperaturintervall som anges i bruksanvisningen.** Att ladda på fel sätt eller utanför det angivna temperaturområdet kan skada batteriet och höjer brandrisken.

6. Service

- a. **Låt en kvalificerad reparatör som bara använder originaldelar utföra service på elverktyget.** Detta säkerställer att elverktygets säkerhet behålls.
- b. **Gör aldrig service på skadade batteripaket.** Service av batteripaket bör endast genomföras av tillverkaren eller auktoriserade serviceverkstäder.

Säkerhetsinstruktioner för geringssågar

- ◆ **Geringssågar är avsedda för sågning av trä eller träliknande produkter, den kan inte användas med slipande klingor för att skära järnhaltiga objekt såsom balkar, stänger, stolpar etc.** Slipande damm gör att rörliga delar såsom det nedre skyddet hålls kvar. Gnistor som uppstår vid slipande skärning kommer att bränna det nedre skyddet, sågspåret och andra plastdelar.
- ◆ **Använd om möjligt klämmor för att stödja arbetsstycket.** Om du stöder arbetsstycket med handen, måste du alltid hålla den minst 100 mm från någondera sidan av sågklingan.

Använd inte denna såg för att såga stycken som är för små för att kunna spännas fast eller hållas med handen på ett säkert sätt. Om du placerar handen för nära sågklingan, består en ökad risk att du skadar dig vid kontakt med klingan.

- ◆ **Arbetsstycket måste sitta stadigt och spännas fast eller hållas både mot anslaget och bordet. Mata inte in arbetsstycket i klingan eller säga på "frihand" på något annat sätt.** Arbetsstycken om är lösa eller rör på sig kan slungas iväg med hög hastighet och leda till kroppsskador.
- ◆ **Tryck sågen genom arbetsstycket. Dra inte sågen genom arbetsstycket. För att göra ett snitt, lyft upp såghuvudet och dra ut det över arbetsstycket utan att säga, starta motorn, tryck ner såghuvudet och skjut sågen genom arbetsstycket.** Att säga i dragriktningen leder antagligen till att sågklingan hoppar upp ovanpå arbetsstycket och med stor kraft slungar kling-enheten mot användaren.
- ◆ **Låt aldrig din hand korsa den tänkta såglinjen, varken framför eller bakom sågklingan.** Att stöda arbetsstycket med "armarna i kors", d.v.s. att hålla i arbetsstycket på högra sidan av sågklingan med vänstra armen eller tvärt om, är extremt farligt.
- ◆ **Sträck dig inte, när klingan roterar, för att avlägsna träspån eller av någon annan anledning, närmare anslaget än 100 mm från någondera sida av sågklingan.** Du kan kanske inte uppskatta hur nära den roterande sågklingan din hand befinner sig och du kan skada dig allvarligt.
- ◆ **Inspektera ditt arbetsstycke innan du sågar. Om arbetsstycket är böjt eller skevt, kläm fast det med den yttre böjda sidan mot anslaget. Se alltid till att det inte finns något gap mellan arbetsstycket, anslaget och bordet längs den tänkta såglinjen.** Böjda eller skeva arbetsstycken kan vridas eller flytta på sig och kärva mot den roterande sågklingan när de sågas. Det får inte finnas några spikar eller andra främmande objekt i arbetsstycket.
- ◆ **Använd inte sågen innan bordet har tömts på alla verktyg, trärester och andra föremål förutom arbetsstycket.** Smått skräp, lösa träbitar eller andra föremål kan komma i kontakt med den roterande klingan och slungas iväg med hög hastighet.
- ◆ **Såga bara ett arbetsstycke åt gången.** Flera arbetsstycken som är staplade på varandra kan inte spännas fast eller stödas ordentligt och kan kärva vid klingan eller förflytta sig när de sågas.
- ◆ **Säkerställ före användningen att geringssågen är monterad eller placerad på en plan och stadig arbetsyta.** En plan och stadig arbetsyta minskar risken för att geringssågen ska bli instabil.

- ◆ **Planera ditt arbete. Varje gång som du ändrar fas- eller geringsvinkeln måste du se till att det justerbara anslaget är korrekt inställt, så att det stöder arbetsstycket och inte är i vägen för klingan eller anslags-systemet.** Flytta, utan att slå "PA" maskinen och utan arbetsstycke, sågklingan genom hela det tänkta snittet för att säkerställa att ingenting är i vägen och att det inte finns någon risk att såga i anslaget.
- ◆ **Använd lämpliga stöd såsom bordsförlängning, sågbockar, etc. för ett arbetsstycke som är längre eller bredare än bordet.** Arbetsstycken som är längre eller bredare än geringssågens bord kan välta om de inte stöds säkert. Om det avkapade stycket eller arbetsstycket välter, kan det lyfta upp det nedre skyddet eller slungas iväg av den roterande klingan.
- ◆ **Använd inte en annan person som ersättning för bordsförlängning eller som extra stöd.** Om arbetsstycket inte är stadigt stött kan klingan kärva eller arbetsstycket kan splittras vid sågningen och dra in dig och din medhjälpare i den roterande klingan.
- ◆ **Den avkapade delen får inte hamna i kläm eller tryckas mot den roterande sågklingan på något sätt.** Om det är trångt, t.ex. om längdbegränsningar används, kan den avkapade delen pressas mot klingan och slungas iväg med stor kraft.
- ◆ **Använd alltid en tving eller en fixtur som är utformad för att stöda runda objekt såsom stänger eller rör ordentligt.** Stänger har en tendens att rotera när de sågas, vilket gör att klingan "biter sig fast" och drar arbetsstycket tillsammans med din hand in i klingan.
- ◆ **Låt klingan uppnå full hastighet innan den vidrör arbetsstycket.** Detta minskar risken för att arbetsstycket slungas iväg.
- ◆ **Stäng av geringssågen om arbetsstycket eller klingan hamnar i kläm. Vänta tills alla rörliga delar har stannat och dra ut stickproppen från strömkällan och/eller avlägsna batteripaketet. Avlägsna sedan materialet som har fastnat.** Att fortsätta sågningen med ett arbetsstycke som sitter i kläm kan leda till att man förlorar kontrollen eller till att geringssågen skadas.
- ◆ **När snittet är klart, släpp strömbrytaren, håll ner såghuvudet och vänta tills klingan stannar innan du avlägsnar den kapade biten.** Att föra händerna i närheten av den fritt roterande klingan är farligt.

Ytterligare säkerhetsföreskrifter för geringsågar

- ◆ Avsedd användning beskrivs i denna bruksanvisning. Om andra tillbehör eller tillsatser används eller om någon annan åtgärd än de som rekommenderas i den här bruksanvisningen utförs med verktyget kan personer och/eller egendom skadas.
- ◆ Använd inte spruckna, böjda, skadade eller deformerade klingor.
- ◆ Byt sågplattan när den är sliten.
- ◆ Använd inte klingor med större eller mindre diameter än rekommenderat. För korrekt klingklassificering se tekniska data. Använd endast klingor som specificeras i denna manual som uppfyller EN 847-1.
- ◆ Använd inte sågklingor som är tillverkade av snabbstål (HSS).



Varning! Sågning ger upphov till damm som kan skada den som använder verktyget och andra i närheten vid kontakt eller inandning. Använd en specialkonstruerad ansiktsmask som skyddar mot damm och ångor och se till att personer som vistas inom eller i närheten av arbetsområdet också är skyddade.

- ◆ Arbeta aldrig med material som innehåller asbest. Asbest anses vara cancerframkallande.
- ◆ Bär handskar när du hanterar sågklingor och grova material (sågklingor ska bäras i en hållare när det är möjligt).
- ◆ Använd hörselskydd för att minska risken för hörselskador.
- ◆ Använd om möjligt specialkonstruerade och bullerdämpande klingor.
- ◆ Använd ögonskydd för att minska risken för personskador.
- ◆ Använd den medföljande dammpåsen när du sågar i trä.
- ◆ **Håll elverktyget i de isolerade greppytorna när arbete utförs där sågtillbehöret kan komma i kontakt med dolda elledningar eller dess egen sladd.** Om borret går igenom en strömförande ledning kan verktygets metalldelar bli strömförande och ge dig en elektrisk stöt
- ◆ Välj korrekt klinga för det material som ska sågas.
- ◆ Använd inte maskinen utan att montera skyddet. Använd inte maskinen om skyddet inte fungerar eller inte rätt underhållet.
- ◆ Se till att armen sitter säkert fast vid geringssågning.
- ◆ Innan varje sågning se till att maskinen är stabil.
- ◆ Håll handtagen torra, rena och fria från olja och fett.
- ◆ Håll området runt maskinen välordnat och fritt från löst material, t.ex. spån och spillbitar.
- ◆ Se till att maskinen och arbetsområdet har tillräcklig allmän- eller direktbelysning.
- ◆ Låt inte oerfarna personer använda den här maskinen.
- ◆ Kontrollera att klingan är korrekt monterad innan användning. Se till att klingan roterar i korrekt riktning. Håll klingan vass. Följ anvisningen för smörjning och byte av tillbehör.
- ◆ Se till att hastigheten som markerats på sågklingan är minst lika med den hastighet som är markerad på sågen.
- ◆ Se till att distansbrickor och spindelringar är lämpliga för det syfte som anges av STANLEY FATMAX.

- ◆ Reparation av skärlijesystemet ska utföras av en auktoriserad STANLEY FATMAX-verkstad.
- ◆ Ta bort batteriet innan något underhållsarbete utförs eller när klingan byts.
- ◆ Utför aldrig rengöring, underhåll eller borttagning av spillbitar eller andra delar av arbetsstycket inom kapområdet när maskinen är igång och såghuvudet inte är i viloläge.
- ◆ När så är möjligt montera alltid maskinen på en bänk.
- ◆ Se till att alla låsrattar och handtag är ordentligt åtdragna innan du börjar arbeta.
- ◆ Använd aldrig sågen utan bordsinlägg.
- ◆ Försök aldrig att snabbt stoppa maskinen när den roterar genom att slå ett verktyg eller liknande mot klingan eftersom det kan leda till allvarliga olyckor.
- ◆ Läs bruksanvisningen innan du använder eller monterar något tillbehör. Felaktig användning av ett tillbehör kan orsaka skador.
- ◆ Höj upp klingan från arbetsstycket innan du släpper upp strömbrytaren.
- ◆ Kila aldrig fast något mot fläkten för att hålla motoraxeln.
- ◆ Klingskyddet på dig såg kommer automatiskt att lyftas när armen förs ned, det kommer att sänkas över klingan när armen höjs. Skyddet kan lyftas för hand vid installation eller borttagning av klingor eller för inspektion av sågen. Höj aldrig klingskyddet manuellt om inte maskinen är avstängd.
- ◆ Kontrollera regelbundet att motorns luftöppningar är rena och fria från spån.
- ◆ Se alltid till att elverktygets varningsskyltar går att läsa.
- ◆ Stå aldrig på elverktyget. Elverktyget kan tippa över eller du kan komma åt sågklingan, vilket kan leda till allvarliga skador.
- ◆ Vidrör aldrig sågklingan innan den har svalnat. Sågklingan blir mycket varm under arbetet.
- ◆ Undvik att bitar kastas iväg genom att dra ut sågens nätsladd för att undvika oavsiktlig igångsättning och ta sedan bort småbitar.
- ◆ Kontrollera att klingskyddet fungerar korrekt innan användning och efter underhåll. Denna kontroll måste göras med sågen avstängd och nätsladden urdragen. Armen måste höjas och sänkas för att säkerställa att skyddet täcker klingan och att klingan inte kommer i kontakt med skyddet. Om skyddet inte fungerar på rätt sätt ska det repareras av en utbildad reparatör. Kontakta STANLEY FATMAX kundtjänst för att hitta närmaste återförsäljare.
- ◆ **Den här geringssågen är endast avsedd för sågning av trä, plast och icke-järnhaltiga metaller.** Använd inte sågen för att såga andra material än de som rekommenderas av tillverkaren.
- ◆ Vidrör aldrig sågklingan innan den har svalnat. Sågklingan blir mycket varm under arbetet.



Varning! Sågning i plast, kådigt trä eller annat material kan orsaka att smått material samlas på sågklingan och dess tänder, vilket ökar risken för att klingan överhettas och kärvar under sågningen.

Säkerhet för andra

- ◆ Denna laddare kan användas av barn från 8 år och personer med nedsatt fysisk eller psykisk förmåga eller bristande erfarenhet eller kunskap, om de övervakas eller får instruktioner om hur apparaten används och är medvetna om riskerna.
- ◆ Barn får inte leka med apparaten. Rengöring och användarunderhåll ska inte göras av barn utan övervakning.

Återstående risker

Följande risker följer med användning av sågar:

Trots att de relevanta säkerhetsbestämmelserna tillämpas och säkerhetsanordningarna används kan vissa återstående risker inte undvikas. Dessa omfattar:

- ◆ Skador orsakade av att roterande/rörliga delar vidrörs.
- ◆ Hörselnedsättning.
- ◆ Olycksrisker som orsakas av den roterande klingans oskyddade delar.
- ◆ Risk för skador som uppstår vid byte av delar, klingor eller tillbehör.
- ◆ Risk att fingrar kläms när skydden öppnas.
- ◆ Hälsofara som orsakas av inandning av damm när du sågar i trä, speciellt ek, bok och MDF.
- ◆ Skador som orsakas av långvarig användning av ett verktyg. När du använder ett verktyg under en längre bör du ta regelbundna pauser.

Buller

Det deklarerade totala vibrationsvärdet har uppmätts i enlighet med en standardtestmetod och kan användas för att jämföra olika elverktyg med varandra.

De deklarerade bullervärdena kan också användas för en preliminär bedömning av exponering.

Varning! Bullernivåvärdet under faktisk användning av elverktyget kan skilja sig från det deklarerade värdet, beroende på hur verktyget används, och särskilt vilken typ av arbetsstycke som används.

Varning! Använd alltid personliga hörselskydd. Under vissa omständigheter och vid användning kan buller från denna produkt bidra till hörselskador. Var medveten om följande faktorer som påverkar exponeringen för buller:

- ◆ Använd sågklingor som har konstruerats för avge mindre buller,
- ◆ Använd endast väl slipade sågklingor, och

- ◆ Använd specialkonstruerade sågklingor med reducerat buller.

Etiketter på verktyget

Följande symboler tillsammans med datumkod finns på verktyget:



Varning! För att minska risken för personskada, måste användaren läsa bruksanvisningen.



Använd säkerhetsglasögon eller skyddsglasögon



Bär hörselskydd



Använd dammfiltermask



Denna produkt får inte användas av barn under 16 år



Håll alltid händerna undan från bladet



Handfri zon - håll fingrar och armar borta från roterande sågklingor



Bär handskar när du hanterar sågklingor



Stirra inte in i arbetslampan

Ytterligare säkerhetsinstruktioner för batterier och laddare

Varning! Apparaten får bara användas med den strömkälla som levereras med apparaten.

Notera: Verktygets drifttemperaturområde rekommenderas vid 4 °C till 40 °C.

Batterier

- ◆ Försök aldrig öppna batteriet.
- ◆ Utsätt inte batteriet för vatten.
- ◆ Förvara inte apparaten på platser där temperaturen kan bli högre än 40 °C.
- ◆ Ladda endast vid temperaturer mellan 10 °C och 40 °C.
- ◆ Ladda endast med hjälp av laddare som medföljer verktyget.
- ◆ Följ instruktionerna som anges i avsnittet "Miljö" när du kastar batterierna.



Försök inte ladda skadade batterier.

Laddare

- ◆ Laddaren från Stanley FatMax får bara användas för att ladda batteriet i det verktyg som laddaren levererades med.

Andra batterier kan spricka och orsaka personskador och andra skador.

- ◆ **Försök aldrig att ladda ej uppladdningsbara batterier.**
- ◆ **Byt defekta sladdar omgående.**
- ◆ Utsätt inte laddaren för vatten.
- ◆ Öppna inte laddaren.
- ◆ Gör ingen åverkan på laddaren.



Adaptren är endast avsedd för användning inomhus.



Läs bruksanvisningen före användning.

Elektrisk säkerhet



Eftersom laddaren är dubbelisolerad behövs ingen jordledare. Kontrollera alltid att nätspänningen överensstämmer med spänningen på typskylten. Försök aldrig byta ut kontakten till laddaren mot en vanlig kontakt.

- ◆ Om nätsladden är skadad måste den bytas ut av tillverkaren eller ett auktoriserat STANLEY FATMAX-servicecenter för att undvika farliga situationer.

Egenskaper

Detta verktyg har en del av dessa eller alla dessa egenskaper.

1. Avtryckare
2. Drifhandtag
3. Monteringshåll
4. Nedre skydd
5. Låsraff för gering
6. Geringsslåsknapp
7. Geringsskiva
8. Geringsskala
9. Geringsskalans indikator
10. Bärgrepp
11. Anslag
12. Fasningslåsraff
13. Skenor
- 13a. Kardborreband
14. Dammutsugaröppning
15. Batteripaket
16. Omkopplare arbetsbelysning
17. Låsspak
18. Skenans låsskruv
19. Klämmonteringshåll
20. Låspinne

Montering (fig. A)

Din geringssåg är monterad i kartongen.

- ◆ Öppna lådan och lyft sågen ut med bärhandtagen (10) i sågens botten (fig. A).

- ◆ Placera sågen på ett jämnt, plant underlag såsom en arbetsbänk eller ett kraftigt bord.
- ◆ Undersök monteringschemat på sidan 2 i denna handbok för att bli bekant med sågen och dess olika delar. Avsnittet som behandlar inställningar kommer att hänvisa till dessa termer och du måste då veta vad och var dessa delar är.
- ◆ Geringsslåsknappen (5) är inte monterad vid frakten. Ta bort geringsslåsknappen (5) från förpackningen och skruva fast på sågen, se figur G och J för position.
- ◆ Din såg har en inbyggt dammsug-öppning (14) där antingen den medföljande dammpåsen (35) eller verkstadens ut sugningssystem kan anslutas (fig. N).

Sågspårsplatta (fig. J)

Sågspårsplattan (7) är monterad på bordet med 6 skruvar. Sågspårsplattans (7) höjd är inte justerbar.

Notera: Om sågspårsplattan (7) är sliten, skadad eller behöver bytas ut, bör reparationer utföras av auktoriserade reparatörer eller STANLEY FATMAX servicepersonal.

Låspinne (fig. F)

Varning! Låspinnen bör ENDAST användas när sågen bärs eller vid förvaring av sågen. Använd ALDRIG låspinnen för något sågjobb.

Notera: För att lyfta, bära och stödja geringssågen under transport använder du de två bärhandtagen (10) belägna på båda sidor om geringssågbotten (fig. A).

För att låsa såghuvudet i det nedre läget, tryck ned såghuvudet, tryck in låspinnen (20) och släpp såghuvudet. Detta kommer att på ett säkert sätt hålla ned såghuvudet vid förflyttning av sågen mellan olika platser. För att lossa tryck ned såghuvudet och dra ut pinnen.

Varning! Se alltid till att verktyget är avstängt och att batteriet tas bort från verktyget innan du justerar eller kontrollerar verktygsfunktionen.

Ladda ett batteri (fig. B)

Batteriet måste laddas innan det används för första gången och sedan varje gång som det inte ger tillräckligt hög effekt för arbeten som annars brukar gå bra. Batteriet kan bli varmt när det laddas. Det är normalt och innebär inte att något är fel.

Oarning! Ladda inte batteriet om temperaturen i luften är lägre än 10 °C eller högre än 40 °C. Den rekommenderade laddningstemperaturen är cirka 24 °C.







Notera: Laddaren laddar inte batteriet om celltemperaturen är lägre än ungefär 10 °C eller högre än 40 °C.

Batteriet får då sitta kvar i laddaren, som kommer att börja laddningen automatiskt när celltemperaturen har stigit eller sjunkit.

Notera: För att garantera maximal prestanda och livslängd för Litium-jon batteripaketet bör batteripaketet laddas fullt innan första användning.

- ◆ Koppla in laddaren (21) i lämpligt uttag innan batteripaketet (15) sätts i.
- ◆ Den gröna laddningslampan (21a) kommer att blinka kontinuerligt för att indikera att laddningsprocessen har startat.
- ◆ Det går att se när laddningen är klar genom att den gröna lampan (21a) lyser kontinuerligt. Batteripaketet (15) är fulladdat och kan nu användas eller lämnas i laddaren (21).
- ◆ Urladdade batterier bör laddas inom 1 vecka. Om batterierna inte laddas när de är urladdade försämrar batteritiden avsevärt.

Laddare LED-lägen

	Laddar: Grön LED intermittent	
	Fulladdad: Grön LED fast sken	
	Varm/kall fördröjning: Grön LED intermittent Röd LED fast sken	

Notera: Den/de kompatibla laddar(en/na) kommer inte att ladda ett felaktigt batteri. Laddaren kommer att indikera ett felaktigt batteripaket genom att vägra lysa.

Notera: Detta kan också betyda att det är problem med en laddare. Om laddaren indikerar ett problem, låt testa laddaren och batteripaketet hos ett auktoriserat servicecenter.

Lämna batteriet i laddaren

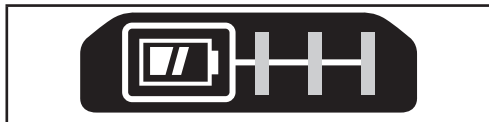
Batteriet kan sitta kvar i laddaren och laddaren kan vara ansluten till vägguttaget hur länge som helst när indikatorn lyser. Laddaren ser till att batteriet hålls fräscht och fulladdat.

Varm/kall fördröjning

När laddaren upptäcker ett batteri som är för varmt eller för kallt startar den automatiskt en varm/kall paketfördröjning, den gröna LED (21a) blinkar kontinuerligt medan den röda LED (21b) fortsätter att lysa kontinuerligt, laddningen skjuts upp tills batteriet har nått en lämplig temperatur. Laddaren växlar sedan automatiskt till paketladdningsläge. Denna funktion garanterar maximal batterilivslängd.

Batteristatus förladdningsindikator (bild C)

Batteriet har en laddningsstatusindikator för att snabbt kunna avgöra kvarvarande batterilivslängd såsom visas i bild B. Genom att trycka på knappen för laddningsstatus (15a) kan du enkelt se kvarvarande laddning i batteriet såsom visas i bild C.



Montera och ta bort batteriet (fig. D, E)

- ◆ Sätt i batteriet (15) genom att placera det i linje med kontakten på verktyget (22). Skjut in batteriet på dess plats och tryck tills batteriet snäpper på plats.
- ◆ Ta ur batteriet genom att trycka på dess låsknapp (15b) samtidigt som du drar ut batteriet från dess plats såsom visas i fig. E.

Byta ut eller installera en ny sågklinga (G, H, I)

Varning! För att minska risken för allvarlig personskada, stäng av verktyget och ta bort batteripaketet innan du gör några justeringar eller tar bort/installerar tillsatser eller tillbehör. En oavsiktlig start kan orsaka skador.

Ta bort klingan

- ◆ Demontera batteripaketet (15) från sågen.
- ◆ Lyft upp armen till det översta läget och lyft upp det nedre skyddet (4) så långt som möjligt.
- ◆ Lossa, men skruva inte bort skyddets hållarskruv (24) förrän hållaren (25) kan skjutas upp så mycket att klingskruven kan nås (26). Den nedre skyddet kommer att förbli upplyft på grund av positionen på skyddets hållarskruv.
- ◆ Tryck in spindellåsknappen (28) medan sågklingan (29) försiktigt roteras för hand tills låset aktiveras.
- ◆ Använd, medan knappen hålls intryckt, den andra handen och den medföljande nyckelns insex-sida för att lossa klingskruven (26). (Vrid medurs, vänstergånga.)
- ◆ Avlägsna klingskruven (26) med hjälp av den medföljande nyckelns insex-sida, avlägsna sedan den yttre klämbrickan (30) och bladet (29). Den inre klämbrickan (31) kan lämnas kvar på (32) spindeln.

Installera en klinga

- ◆ Demontera batteripaketet (15) från sågen.
- ◆ Med armen höjd, det nedre skyddet (4) hållet öppet och skyddets hållare (25) höjd, placera klingan (29) på spindeln (32) och emot den inre klingklämman (31) med klingans tänder riktade i den rotationsriktning som pilen på sågen markerar.
- ◆ Montera den yttre klämbrickan (30) på spindeln (32).

- ◆ Montera klingskruven (26) och aktivera spindellåset (28), dra åt skruven (26) med den medföljande nyckeln (vrid moturs, vänstergångad).
- ◆ Ställ tillbaka skyddets hållare (25) till sin originalposition och spänn de båda skruvarna (24) på skyddets hållare ordentligt för att fästa hållaren.

Skärinjesystem

Varning! Titta inte in i arbetsbelysningen. Allvarliga ögonskador kan bli följden.

Notera: Batteriet måste vara laddat och anslutet till geringssågen.

Skärinjestyrssystemet kan bara slås på eller av med arbetsbelysningens brytare (16).

För att säga längs en befintlig pennstreck på ett trästycke, tänd arbetsbelysningsystemet med tryckknappen (16) (inte med huvudavtryckaren), tryck sedan ner manöverhandtaget (2) för att flytta sågbladet närmare virket.

Skuggan från klingan kommer att visas på arbetsstycket.

Denna skugglinje motsvarar det material som klingan kommer att avlägsna när sågningen genomförs.

För att placera ditt snitt korrekt på pennstrecket, rikta in pennstrecket med kanten av klingans skugga. Kom ihåg att du kan behöva ställa in gerings- eller fasvinkeln för att kunna matcha pennstrecket exakt.

Din såg är utrustad med en batterifel-funktion.

Arbetsbelysningen börjar blinka när batteriets användbara laddning nästan är slut, eller när batteriet är för hett.

Ladda batteriet innan du fortsätter sågarbetena. Se laddningsprocedur under viktiga säkerhetsinstruktioner för att få instruktioner om batteriladdningen.

Geringsinställning (fig. J)

Geringslåshandtaget (5) och geringsutlösningsknappen (6) låter dig gera din såg till 47° höger och 47° vänster. Geringshaken kommer automatiskt att hitta lägena 0°, 15°, 22,5°, 31,6° och 45° både till vänster och höger. För att gera sågen, läs upp geringlåsmechanismen genom att vrida geringlåsknappen (5) moturs för att låsa upp och medurs för att låsas. Dra upp geringlåsknappen (6) och ställ in önskad geringsvinkel på geringskalan (8). Lås låsratten för gering (5) genom att vrida medurs.

Faslåsratt (fig. K)

Med faslåset kan du luta sågen 48° åt vänster. För att justera fasinställningen, vrid fasningsgen låsratt (12) moturs för att lossa den. För att dra åt vrid faslåsratten medurs.

Var försiktig! Risk att klämma sig. Var noga med att dra åt faslåsratten innan du justerar åsidosättningen.

Avtryckare (fig. L)

För att starta sågen, tryck låsspaken (17) åt vänster, tryck sedan in avtryckaren (1).

Sågen kommer att gå så länge som avtryckaren är intryckt. Låt sågen komma upp i full hastighet innan sågningen görs. För att stänga av sågen, släpp avtryckaren. Låt klingan stanna innan såghuvudet lyfts upp. Det finns ingen möjlighet att låsa brytaren i på-läget. Det finns ett hål (1a) på brytaren där man kan applicera ett hänglås för att låsa den i läget från. Din såg är inte utrustad med en automatisk, elektrisk klingbroms, men klingan bör stanna inom 5 sekunder efter det att avtryckaren släpps. Detta kan inte justeras. Om stopptiden upprepade gånger överstiger 5 sekunder, lämna verktyget för service hos ett auktoriserat Stanley FatMax servicecenter. Säkerställ alltid att klingan har stannat innan du avlägsnar den från sågspåret.

Dammutsugning (fig. M)

Varning! För att minska risken för allvarlig personskada, stäng av verktyget och ta bort batteripaketet innan du gör några justeringar eller tar bort/installerar tillsatser eller tillbehör. En oavsiktlig start kan orsaka skador. Din såg har en inbyggd dammport (14) där antingen den medföljande dammpåsen (35) eller verkstadens utsugningssystem kan anslutas.

Montera dammpåsen

- ◆ Fäst dammpåsen (35) på dammporten (14) såsom fig. M visar.
- ◆ Ett vakuümör (38 - medföljer ej) kan monteras på dammporten (14) snarare än dammpåsen (35). Detta kan göras genom att montera vakuümör (38) i stället för dammpåsen (35), se figur M.
- ◆ Använd kardanbandet (13a) för att hålla vakuümör (38) fritt från glidskenorna (13) när du använder sågen.

Notera: Kardanbandet (13a) är inte ett bärhandtag och bör inte användas för att flytta eller transportera sågen.

Tömma dammpåsen

- ◆ Ta bort dammpåsen (35) från sågen och skaka den försiktigt eller knacka för att tömma den.
- ◆ Sätt tillbaka dammpåsen på dammutsugsöppningen (14).

Du kommer att märka att inte allt damm tömts ut ur påsen. Detta kommer inte att påverka sågprestandan men kommer att reducera effektiviteten av dammupsamlaget. För att återställa sågens dammupsamlings-effektivitet, tryck ned fjädern på insidan av dammpåsen när du tömmer den och klappa den mot sidan av skräpkorgen eller dammbehållaren.

Varning! Använd aldrig sågen utan att dammupsamlingen är monterad. Trädamm kan leda till andningsbesvär.

Såga med din såg

Om glidfunktionen inte används, se till att såghuvudet har skjutits tillbaka så långt som möjligt och att skenans låsskruv (18) är åtdragen. Detta förhindrar att sågen glider längs dess anslag när arbetsstycket fastnar.

Notera: SKÄR INTE JÄRNHALTIGA METALLER ELLER MURBRUK MED DENNA SÅG (INGA JÄRNHALTIGA METALLER FÅR SKÄRAS MED DENNA SÅG). Använd inga slipskivor.

Notera: Se skyddsaktivering och synlighet i avsnittet Inställningar för viktig information om det nedre skyddet innan du sågar.

Batteri (bild N)

En kapning görs genom att trä sågas mot fibrernas riktning i önskad vinkel. En rak kapning genomförs med geringsarmen i positionen noll grader. Ställ in och lås geringsarmen på noll och håll fast träbiten stadigt mot bordet och mot anslaget. Lå med styrskenans låsratt (18) åtdragen på sågen genom att trycka på avtryckaren (1).

Sänk när sågen kommer upp i fart (efter ca. 1 sekund) ned armen mjukt och långsamt för att såga genom virket. Låt klingan stanna helt innan armen lyfts upp.

Om du sågar någonting som är större än 2 x 4 (51" x 102"), använd en ut-ner-tillbaka rörelse med skenans låsratt (18) öppnad. Dra ut sågen mot dig, sänk ned såghuvudet mot arbetsstycket och tryck sakta tillbaka sågen för att slutföra kapningen. Låt inte sågklingan komma i kontakt med ovasidan av arbetsstycket när den dras ut. Sågen kan köra mot dig och eventuellt orsaka personskador eller skador på arbetsstycket.

Varning! Använd alltid en skruvtving för att bibehåll kontrollen och minska risken för skador på arbetsstycket och personskador om händerna måste vara närmare än 152 mm från klingan under sågningen.

Notera! Skenans låsratt (18) måste vara öppen så att sågen kan glida längs skenorna.

Geringskapning görs med geringsarmen i någon annan vinkel än noll.

Denna vinkel är ofta 45° för att såga hörn, men kan ställas in från noll till 47° vänster eller 47° höger. Genomför sågningen på det sätt som beskrivs ovan.

När ett geringsnitt görs på ett arbetsstycke som är bredare än 51 mm x 6 och som är kortare i längd, placera alltid den längre sidan mot anslaget (fig. O).

För att såga efter ett befintligt pennstreck på ett trästycke, anpassa vinkeln så nära som möjligt. Kapa virket en aning för långt och mät från pennstreck till snittkanten för att avgöra i vilken riktning geringsvinkeln ska ändras och såga sedan på nytt. Detta kräver litet övning, men är en allmänt använd teknik.

Vinklade snitt

En faskapning är en kapning där sågbladet lutar i en vinkel i förhållande till virket. För att ställa in fasnigen, öppna fasningsens låsratt (12), och flytta sågen åt vänster såsom önskat. Spänn fasningsens låsratt ordentligt när önskad faskvinkel har ställts in.

Fasvinklar kan ställas in från 3° höger till 48° vänster.

Sågkvalitet

Alla snitts jämnhet beror på ett antal variabler. Faktorer som materialet som sågas, typ av blad, hur vasst bladet är och hur snabbt man sågar påverkar alla snittets kvalitet. När mycket jämna snitt önskas för ramar och andra precisionsarbeten, kommer en vass (60-tandad karbid) klinga och en långsammare och jämn sågning att ge önskat resultat. Se till att materialet inte rör sig under sågningen; spänn fast det ordentligt.

Låt alltid klingan stanna helt innan armen lyfts upp. Om små fibrer från trä fortfarande sticker ut från arbetsstycket, fäst en bit maskeringstejp på trät där sågningen skall ske. Såga genom tejp och ta noggrant bort tejpens när du är klar. För olika sågarbeten, se listan med sågklingor som rekommenderas för din såg och välj den som passar dina behov bäst. Se Sågklingor under Extra tillbehör.

Placering av kroppen och händer (fig. O1–O4)

Korrekt placering av kroppen och händerna när geringssågen hanteras gör sågningen enklare, mer korrekt och säkrare. Håll aldrig händerna nära sågningsområdet. Placera inte dina händer närmare än 152 mm från klingan. Håll fast arbetsstycket mot bordet och anslaget under sågningen. Håll händerna i positionerna tills strömbrytaren frigjorts och klingan stannat helt och hållet.

GÖR ALLTID TOMKÖRNINGAR (UTAN STRÖM) INNAN DEN SLUTLIGA SÅGNINGEN SÅ ATT DU KAN KONTROLLERA KLINGANS BANA. KORSA INTE HÄNDERNA SÅSOM VISAS I FIGUR O3.

Ha båda fötterna stadigt på golvet och bibehåll en korrekt balans. När du förflyttar geringsarmen åt vänster och höger, följ den och stå en aning på sidan av sågklingan. Sikta genom hålen i skydden när du följer ett pennstreck.

Spänn fast arbetsstycket

Varning! För att minska risken för allvarlig personskada, stäng av verktyget och ta bort batteripaketet innan du gör några justeringar eller tar bort/installerar tillsatser eller tillbehör. En oavsiktlig start kan orsaka skador.

Varning! Ett arbetsstycke som är fastklämt, balanserat och säkert innan sågningen kan komma i obalans efter att sågningen är klar. En obalanserad last kan tippa sågen eller något som sågen sitter fast på såsom ett bord eller en arbetsbänk. När en sågning görs som kan komma i obalans, se till att arbetsstycket har stöd och att sågen är fastskruvad i en stabil yta. Personskador kan uppstå.

Varning! Klämfoten måste förbli fastklämd ovanför basen på sågen när klämman används. Kläm alltid fast arbetsstycket i basen på sågen - inte i någon annan del av arbetsområdet.

Se till att klämfoten inte kläms fast på kanten av sågbasen.

Varning! Använd alltid en skruvtving för att bibehåll kontrollen och minska risken för skador på arbetsstycket och personsador om händerna måste vara närmare än 152 mm från klingan under sågningen. Om du inte kan hålla fast arbetsstycket på bordet och mot anslaget för hand (ojämn form, etc.), eller om din hand då skulle befinna sig närmare än 152 mm från klingan, måste en tving eller någon annan fixtur användas.

Använd skruvtvingen som följer med sågen. Kontakta din lokala återförsäljare eller ett Stanley FatMax servicecenter om du vill köpa en skruvtving.

Anda hjälpmedel såsom fjäderklämmor, stavklämmor, C-klämmor kan vara lämpliga för vissa storlekar och former på material. Var noggrann när du väljer och placerar dessa klämmor. Ta dig tid att genomföra en tomkörning innan du utför sågningen.

Att applicera en klämma/tving (fig P)

- ◆ Sätt klämman (37) i hålet (19) bakom anslaget. Klämman måste vara riktad mot baksidan av geringssågen. Spåret på klämstaven skall var hel isatt i basen. Se till att skåran är helt isatt i basen hos geringssågen. Om skåran är synlig är klämman inte fastsatt.
- ◆ Roter klämman 180° mot fronten på geringssågen.
- ◆ Lossa ratten för att justera klämman uppåt eller nedåt, använd sedan fininställningsratten för att fästa klämman på arbetsstycket.

Notera: Placera klämman på motsatt sida av basen vid fasnig. GÖR ALLTID TOMKÖRNINGAR (UTAN STRÖM) INNAN DEN SLUTLIGA SÅGNINGEN SÅ ATT DU KAN KONTROLLERA KLINGANS VÄG. SE TILL ATT KLÄMMAN INTE ÄR I VÄGEN FÖR SÅGEN ELLER SKYDDEN.

Inställningar

Din geringssåg är fullständigt och korrekt inställd på fabrik vid tillverkningen. Om omjustering krävs på grund av transport och hantering eller av någon annan anledning, följ instruktionerna nedan för att ställa in din såg.

När det är gjort bör dessa inställningar förbli korrekta. Ta dig tid att följa dessa instruktioner noggrant för att upprätthålla den precision som din såg är kapabel till.

Geringsskalinställning (fig. Q1)

Läs armen i den nedre positionen. Läs upp geringslåsratten (5) och sväng geringsarmen tills geringsutlösningsknappen (6) läser i geringspositionen 0°. Läs inte geringens låsratt. Placera en vinkelhake mot sågens anslag och klingan såsom visas. (Vidrör inte spetsen på klingans tänder med vinkelhaken. Om så görs kommer det att ge felaktigt mätvärde.)

Om sågklingan inte är exakt vinkelrät mot anslaget, lossa och flytta materialanslaget tills klingan är vinkelrät mot anslaget, mätt med vinkelhaken. Bry dig inte om avläsningen av geringspekaren i detta läge.

Justering av rät fasvinkel mot bordet (fig. Q2)

För att rikta in klingans vinkel mot bordet, lås armen i det nedre läget med låspinnen (20). Placera en vinkelhake mot klingan och se därvid till att vinkelhaken inte befinner sig ovanpå en tand. Lossa faslåsratten (5) och se till att armen är fast mot det 0° fasstoppet. Vrid inställningsskruv för 0° fasning med en 12,7 mm insexnyckel (ingår inte i leveransen) så att klingan vid mätning med vinkelhaken har 0° fasvinkel till bordet.

Skyddsaktivering och synlighet (fig. V)

Varning! Risk att klämma sig. För att minska risken för skador, håll tummen under manöverhandtaget när du drar ner handtaget. Det nedre skyddet kommer att åka upp när manöverhandtaget dras ned, vilket kan leda till att du hamnar i kläm. Det nedre skyddet (4) på din såg har konstruerats för att automatiskt avtäcka klingan när armen sänks ned och att täcka klingan när armen lyfts upp. Före användningen eller efter det att inställningar har gjorts, förflytta armen (utan ström) och säkerställ att skyddet öppnas utan att kärva och stängs helt och hållet. Det bör inte vidröra klingan. Med armen uppe, lyft upp skyddet (utan ström) och släpp det såsom figur V visar. Skyddet bör snabbt stänga helt och hållet. Använd inte sågen om skyddet inte är fritt rörligt och inte omedelbart stängs helt och hållet. Spänn eller bind aldrig fast skyddet i öppen position när sågen används. Skyddet kan lyftas för hand vid installation eller borttagning av klingor eller för inspektion av sågen.

LYFT ALDRIG DET NEDRE SKYDDET MANUELLT SÅVIDA INTE KLINGAN STOPPATS.

Notera: Vissa specialsågningar av stora arbetsstycken kräver att du lyfter upp skyddet för hand. Se såga stora arbetsstycken under specialsågningar. Fronsektionen av skyddet är gallerföret för synlighet under sågningen. Även om slitsarna dramatiskt reducerar mängden flygande skräp, finns det öppningar i skyddet och skyddsglasögon bör alltid användas.

Styrskena

Kontrollera regelbundet skenor (13) glapp eller spelrum. Skenorna kan rengöras med en torr och ren trasa.

Såga bildramar, tittlådor och andra fyrsidiga projekt (fig. R1, R2)

För att förstå hur man tillverkar de föremål som räknas upp här, föreslår vi att du först försöker dig på några enkla projekt där du använder trärester, tills du har fått en "känsla" för sågen.

Din såg är ett perfekt verktyg för geringssågning av hörn såsom det visas i figur R1. Skiss A i figur R2 visar en fog som gjorts genom att använda geringsinställningen för att såga kanterna på de båda brädorna till 45° och skapa ett hörn med 90° vinkel. För denna fog var geringsarmen låst i nollläget och fasinställningen var låst vid 45°. Brädan placerades med den breda platta sidan mot bordet och den smala kanten mot anslaget. Samma snitt kunde ha gjorts genom att geringssåga höger och vänster med den breda ytan mot anslaget.

Såga trimformning och andra ramar (fig. R2)

Skiss B i figur R2 visar en fog som gjorts med geringsarmen i 45° för att geringssåga de två brädorna så att de formar ett 90° hörn. För att göra denna typ av fog, ställ in fasinställningen på noll och geringsarmen på 45°. Placera igen brädan med den breda platta sidan mot bordet och den smala kanten mot anslaget.

Figureerna R1 och R2 är endast för fyrsidiga objekt. När antalet sidor ändras så ändras också fasvinkeln. Nedanstående tabell ger de korrekta vinklarna för en mängd olika former.

Exempel

Antal sidor	Gering eller fasvinkel
4	45°
5	36°
6	30°
7	25,7°
8	22,5°
9	20°
10	18°

Tabellen utgår ifrån att sidorna är lika långa. För en form som inte visas i tabellen, använd följande formel: 180° delat med antalet sidor är lika med gerings- (om materialet sågas vertikalt) eller fasvinkeln (om materialet sågas liggandes plant).

Såga komplicerade geringar (fig. R3)

En blandad gering är en sågning som görs med en geringsvinkel och en fasvinkel samtidigt. Denna typ av sågning används för att göra ramar eller lådor med lutande sidor såsom den som visas i figur R3.

Notera: Om sågvinkeln varierar mellan sågningarna kontrollera att faslåsratten och geringslåshandtaget är låsta. Dessa måste låsas efter att ändringar gjorts i fasvinkeln eller geringen. Tabellen som visas nedan (Tabell 1) hjälper dig att välja korrekt inställning för fasning och gering för vanliga sammansatta geringssågningar. För att använda tabellen, välj önskad vinkel "A" (fig. R3) för ditt projekt och leta reda på den vinkeln i lämplig kurva i tabellen.

Från den punkten följ tabellen rakt ned för att hitta korrekt fasvinkel och rakt över hitta korrekt geringsvinkel. Ställ in sågen enligt de beskrivna vinklarna och gör några provsågningar. Öva dig att passa ihop de sågade arbetsstyckena tills du utvecklar en känsla för denna procedur och känner att du behärskar den.

Exempel: För att göra en 4-sidig låda med 26° yttre vinklar (vinkel A, Fig. R3), använd kurvan uppe till höger. Leta reda på 26° på bågskalen. Följ den horisontella korsande linjen till någon sida för att få inställningen för geringsvinkeln för sågen (42°). På samma sätt följ den vertikala korsande linjen upp eller ned för att få inställningen för fasvinkeln för sågen (18°). Gör några provsågningar på några skräpbitar för att verifiera inställningarna på sågen.

Såga basformer (fig. S)

Raka 90° kapningar:

Placera träbiten mot anslaget och håll den på plats såsom visas i figur S. Slå på sågen, låt klingan nå full hastighet och sänk ned armen mjukt genom sågningen.

Såga golvlistor från upp till 3,5 tum (90 mm) vertikalt mot anslaget

Placera träbiten såsom visas i figur S. Alla sågningar bör göras med baksidan av formen mot anslaget och med undersidan på formen mot bordet.

	Insida hörn	Utsida hörn
Vänster sida	Gering vänster 45° Spara vänstra sidan av snittet	Gering höger 45° Spara vänstra sidan av snittet
Höger sida	Gering höger 45° Spara högra sidan av snittet	Gering vänster 45° Spara högra sidan av snittet

Material upp till 3,5 tum (90 mm) sågas såsom beskrivs ovan.

Såga taklister

För att de ska passa ordentligt, måste sammansatt gering med extrem noggrannhet användas vid tillsågningen av toppformer.

De båda plana ytorna av ett givet avsnitt taklist är vinklade så att de utgör exakt 90° när de adderas. De flesta taklister, men inte alla, har en övre bakre vinkel (den del som kommer emot taket) på 52° och en nedre bakre vinkel (den del som kommer emot väggen) på 38°.

Din geringssåg har en förinställd spärr för geringsvinkeln 31,6° höger och vänster för att såga taklister med korrekt vinkel. Det finns också en markering på fasskalan vid 33,8°.

Tabellen Fasinställning/Typ av snitt ger de korrekta inställningarna för tillsågning av taklister. (Värdena för gerings- och fasinställningarna är mycket exakta och inte så lätta att ställa in korrekt på din såg.)

Eftersom de flesta rum inte har vinklar på exakt 90°, kommer du att bli tvungen att finjustera dina inställningar i vilket fall som helst.

Instruktioner för liggande sågning av taklister med hjälp av den sammansatta funktionen

- ◆ Lägg listen med den breda baksidan platt mot sågbordet (36) (fig. T1).
- ◆ Nedanstående inställningar gäller för alla standard taklister med 52° och 38° vinklar.

Fasinställningar	Typ av snitt
33,8°	VÄNSTER SIDA, INSIDA HÖRN: 1. Ovansidan av listen mot anslaget 2. Geringsbordet inställt höger 31.62° 3. Spara vänstra änden av snittet
33,8°	HÖGER SIDA, INSIDA HÖRN: 1. Nedsidan av listen mot anslaget 2. Geringsbordet inställt vänster 31.62° 3. Spara vänstra änden av snittet
33,8°	VÄNSTER SIDA, UTSIDA HÖRN: 1. Nedsidan av listen mot anslaget 2. Geringsbordet inställt vänster 31.62° 3. Spara högra änden av snittet
33,8°	HÖGER SIDA, UTSIDA HÖRN: 1. Ovansidan av listen mot anslaget 2. Geringsbordet inställt höger 31.62° 3. Spara högra änden av snittet

Notera: När gerings- och fasvinklarna ställs in för sammansatta geringar, kom ihåg att vinklarna som anges för taklister är mycket precisa och svåra att ställa in exakt. Eftersom de kan variera en aning och mycket få rum har exakt rätvinkliga hörn, bör alla inställningar först testas på restbitar av taklisten.

Alternativ metod för sågning av taklister

Placera listen i en vinkel mellan anslaget (11) och sågbordet (36) med den övre sidan av listen på bordet och undersidan av listen på anslaget som visas i figur T1.

Fördelen med att såga taklister på detta sätt är att inget fassågning krävs. Små ändringar i geringsvinkeln kan göras utan att det påverkar fasvinkeln. På detta sätt kan sågen snabbt och lätt ställas in för hörn som avviker från 90° om sådana påträffas.

Instruktioner för sågning av taklister i vinkeln mellan anslaget och sågens bas för alla snitt

Denna såg kan såga taklist med dimensioner upp till 9/16 tum (14 mm) x 3-5/8" tum (92 mm).

- ◆ Vinkla formen så att botten på formen (den del som går mot väggen vid installation) är mot anslaget (11) och överdelen av formen vilar mot sågbordet (36) såsom visas i figur T2.
- ◆ Den vinklade "platta delen" av formen måste vila vinkelrät mot anslaget och sågbordet (36).

Om de någonsin behöver bytas ut ska du returnera verktyget till närmaste servicecenter för reparation.

	Insida hörn	Utsida hörn
Vänster sida	Gering höger på 45° Spara högra sidan av snittet	Gering vänster på 45° Spara högra sidan av snittet
Höger sida	Gering vänster på 45° Spara vänstra sidan av snittet	Gering höger på 45° Spara vänstra sidan av snittet

Specialsågningar

Gör aldrig några sågningar såvida inte materialet sitter fast på bordet och mot anslaget.

Böjt material (fig. U1, U2)

När böjt material sågas ska det alltid placeras som fig. U1 visar och aldrig som i fig. U2. Om materialet placeras på fel sätt kommer det att kärva mot klinga i slutet av sågningen.

Sågning av runt material

Runt material måste spännas fast eller hållas stadigt mot anslaget för att förhindra att det rullar. Detta är extremt viktigt vid vinkelsågningar.

Såga stora arbetsstycken (fig. V)

Emellanåt kommer du att stöta på trädelar som är för stora att passa mellan de nedre skydden. För att lyfta skyddet ovanför virket, placera med sågen avstängd och din högra hand på manöverhandtaget, din högra tumme på utsidan av skyddets övre del och skjut upp det så mycket som behövs för att virket ska passa in, såsom fig. V visar. Släpp skyddet innan du startar motorn. Skyddsmekanismen kommer att fungera korrekt vid sågningen. Gör detta endast om det är nödvändigt. SKYDDET FÅR ALDRIG BINDAS ELLER TEJPAS FAST ELLER HÅLLAS ÖPPET PÅ NÅGOT ANNAT SÄTT NÄR SÅGEN ANVÄNDS.

Underhåll

Varning! För att minska risken för allvarlig personskada, stäng av verktyget och ta bort batteripaketet innan du gör några justeringar eller tar bort/installerar tillsatser eller tillbehör. En oavsiktlig start kan orsaka skador.

Varning! För att minska risken för allvarliga personskador, vidrör INTE de vassa delarna av klingan med fingrarna eller händerna när underhåll görs. Använd INTE smörjmedel eller rengöringsmedel (särskilt spray eller aerosol) i närheten av plastskydden. Vissa kemikalier är aggressiva mot polykarbonatmaterialet som används i skyddet.

- ◆ Alla lager är tätade. De är livstidsmorda och behöver inget ytterligare underhåll.
- ◆ Rengör regelbundet allt damm och träflisor från, runt OCH UNDER basen och det roterande bordet. Även om spår finns för att tillåta att skräp passerar igenom, kommer en del damm att samlas.
- ◆ Borstarna är utformade för att ge dig flera års användning.

Felsökning

Problem	Möjlig orsak	Lösning
Sågen startar inte.	Batteriet är inte installerat.	Installera batteriet. Se Installera och ta bort batteripaketet.
	Batteriet är inte laddat.	Ladda batteriet. Se Laddningsprocedur.
	Borstarna är utslitna	Låt borstarna bytas ut på ett auktoriserat servicecenter.
Sågen gör otillfredsställande snitt.	Klingan är slö.	Byt ut klingan. Se Byta eller installera en ny sågklinga.
	Klingan är monterad fel.	Vänd på klingan. Se Byta eller installera en ny sågklinga.
	Gummi eller kåda på klingan.	Demontera klinga och rengör det med stålull och terpentin eller ugnsgrengörare.
	Fel klinga för arbetet som utförs.	Byt typ av klinga.
Arbetsbelysningen blinkar.	Batteriet är inte laddat	Ladda batteriet. Se Laddningsprocedur.
Maskinen vibrerar kraftigt.	Sågen är inte monterad stadigt på en ställning eller arbetsbänk	Spänn alla monteringsstillbehör. Se Bänkmontering
	Ställningen eller arbetsbänken står på ett ojämnt golv.	Flytta till ett plant underlag.
	Skadad sågklinga.	Byt ut klingan. Se Byta eller installera en ny sågklinga.
Gör inga ordentliga geringssnitt.	Geringsskalan är inte korrekt inställd.	Kontrollera och ställ in. Se Ställa in geringsskalan under Inställningar.
	Klingan står inte i rätt vinkel till anslaget.	Kontrollera och ställ in. Se Ställa in geringsskalan under Inställningar.
	Klingan står inte i rätt vinkel till bordet.	Kontrollera och ställ in anslaget. Se Inställning av rätt fasvinkel mot bordet under Inställningar.
	Tving för arbetsstycke	Spänn fast arbetsstycket mot anslaget eller limma fast ett sandpapper med grovlek 120 på anslaget med gummicement.
	Geringsskivan är slitna eller skadad.	Lämna in till ett auktoriserat servicecenter.
Materialet kärvar mot klingan.	Sågning av böjt material.	Se Böjt material under Specialsågningar.

Att skydda miljön



Separat insamling. Produkter och batterier märkta med denna symbol får inte kastas med de vanliga hushållssoporna.

Produkter och batterier innehåller material som kan återvinnas och återanvändas för att minska behovet av råmaterial. Återvinn elektriska produkter och batterier enligt lokala bestämmelser. Närmare information finns tillgänglig på www.2helpU.com

Tekniska specifikationer

SFMCS701 (H1)			
Spänning	V		18
Hastighet	/min		3 800
Klingans ytterdiameter	mm		190
Borrdiameter	mm		16
Klingsågspar max.	mm		1,8
Vikt utan batteri	kg		10
Tjocklek klinga	mm		1,0
Gering (max. positioner)	°		47
Fasning (max. positioner)	°		47
0 grader gering	vågrät	mm	50 x 216
	lodrät	mm	90 x 15
45 grader gering höger	vågrät	mm	50 x 152
	lodrät	mm	90 x 15
45 grader gering vänster	vågrät	mm	50 x 152
	lodrät	mm	90 x 15
45 grader fasning vänster	vågrät	mm	50 x 152
	lodrät	mm	50 x 15

Batteri		SFMCB201	SFMCB202	SFMCB204	SFMCB206
Spänning	V _{DC}	18	18	18	18
Kapacitet	Ah	1,5	2,0	4,0	6,0
Typ		Li-jon	Li-jon	Li-jon	Li-jon

Laddare		SFMCB11	SFMCB12	SFMCB14
Inspänning	V _{AC}	230	230	230
Utspanning	V _{DC}	18	18	18
Strömstyrka	A	1,25	2	4

Ljudtrycksnivå enligt EN 62841:	
L _{WA} (ljudtryck)	83,0 dB(A), osäkerhet (K) 3 dB(A)
L _{WA} (ljudeffekt)	94,5 dB(A), osäkerhet (K) 3 dB(A)

EG-försäkran om överensstämmelse

MASKINDIREKTIVET



SFMCS701 Geringssåg med glidfunktion

Stanley Europe deklarerar att dessa produkter, beskrivna under "tekniska specifikationer" uppfyller:
EN62841-1:2015, EN62841-3-9:2015+A11:2017

Dessa produkter uppfyller dessutom direktiven
2006/42/EC, 2014/30/EU and 2011/65/EU.

För mer information, kontakta STANLEY FATMAX på följande
adress eller se baksidan av manualen.

Undertecknad är ansvarig för sammanställning av den
tekniska filen och gör denna förklaring som ombud för
STANLEY FATMAX.

Ed Higgins

VD – "Motordrivna konsumentverktyg"

Stanley Europe, Egide Walschaertsstraat14-18,
2800 Mechelen, Belgien

08/05/2020

Garanti

Stanley Europe är övertygad om kvaliteten hos denna produkt och erbjuder kunder 12 månaders garanti från inköpsdatumet. Denna garanti är ett tillägg till dina lagstadgade rättigheter och påverkar inte dessa på något sätt. Garantin är giltig områden som tillhör medlemsstaterna i Europeiska unionen och det europeiska frihandelsområdet.

För yrkande under garantin måste yrkandet vara in enlighet med STANLEY FATMAX villkor och du kommer att behöva skicka in bevis på köpet till försäljaren eller en auktoriserad reparatör. Villkoren för Stanley Europas 1-åriga garanti och var du hittar din närmaste auktoriserade reparatör kan erhållas på internet på www.2helpU.com, eller genom att kontakta ditt lokala Stanley Europa-kontor på adressen som angetts i denna manual.

Besök vår webbplats www.stanley.eu/3 för att registrera din nya STANLEY FATMAX- produkt samt för att få information om nya produkter och specialerbjudanden.

Tiltenkt bruk

STANLEY FATMAX SFMCS701 gjæringsstagen, med glidende skjærehode for kombinert skjæring, er bare beregnet for å sage tre, plast og ikke-jernholdige metaller. Dette verktøyet er tiltenkt både fagarbeidere og private brukere.

Sikkerhetsinstruksjoner

Generelle sikkerhetsadvarsler for elektriske verktøy



Advarsel! Les alle sikkerhetsanvisninger, instruksjoner, illustrasjoner og spesifikasjoner som følger dette elektriske verktøyet.

Manglende overholdelse av advarslene og instruksjonene kan resultere i elektrisk sjokk, brann og/eller alvorlig skade.

Lagre alle advarsler og instruksjoner for fremtidig bruk.

Uttrykket "elektrisk verktøy" i advarslene henviser til ditt strømdrevne (med ledning) elektriske verktøy eller ditt batteridrevne (uten ledning) elektriske verktøy.

1. Sikkerhet på arbeidsområdet

- Hold arbeidsområdet rent og godt opplyst.** Rotete eller mørke områder er en invitasjon til ulykker.
- Ikke arbeid med elektroverktøy i eksplosjonsfarlige omgivelser, for eksempel der det befinner seg brennbare væsker, gass eller støv.** Elektriske verktøy skaper gnister som kan antenne støv eller gasser.
- Hold barn og andre personer unna når du bruker et elektroverktøy.** Distraksjoner kan føre til at du mister kontrollen.

2. Elektrisk sikkerhet

- Støpselet til verktøyet må passe til stikkkontakten. Aldri modifier støpselet på noen måte. Ikke bruk adaptere med jordede elektriske verktøy.** Umodifiserte støpsler og stikkontakter som passer vil redusere risikoen for elektrisk støt.
- Unngå kroppskontakt med jordede overflater som rør, radiatorer, komfyrer og kjøleskap.** Det er økt risiko for elektrisk støt dersom kroppen din er jordet.
- Ikke utsett elektroverktøy for regn eller fuktighet.** Dersom det kommer vann inn i et elektrisk verktøy vil det øke risikoen for elektrisk støt.
- Unngå uforsvarlig behandling av ledningen. Aldri bruk ledningen til å bære, trekke eller dra ut støpselet til det elektriske verktøyet. Hold ledningen borte fra varme, olje, skarpe kanter eller bevegelige deler.** Skadede eller flokede ledninger øker risikoen for elektrisk støt.
- Når du bruker et elektroverktøy utendørs, må du bruke en skjøteledning som er egnet til utendørs bruk.** Bruk av en skjøteledning beregnet for utendørs bruk reduserer risikoen for elektrisk støt.

- Hvis du ikke kan unngå å bruke elektroverktøy på et fuktig sted, må du bruke en strømforsyning som er beskyttet med jordfeilbryter (RCD).** Bruk av jordfeilbryter (RCD) reduserer risikoen for elektrisk støt.

3. Personlig sikkerhet

- Vær oppmerksom, pass på hva du gjør, og vis fornuft når du arbeider med et elektroverktøy. Ikke bruk et elektrisk verktøy dersom du er trøtt eller er påvirket av medikamenter, narkotika eller alkohol.** Ett øyeblikks uoppmerksomhet under bruk av elektriske verktøy kan føre til alvorlig personskade.
 - Bruk personlig verneutstyr. Bruk alltid vernerbriller.** Verneutstyr slik som støvmaske, skliskre vernesko, hjelm, eller hørselsvern brukt under passende forhold vil redusere personskader.
 - Forhindre utilsiktet start. Sikre at bryteren er i av-stillingen før du kobler til strømkilden og/eller batteripakken, plukker opp eller bærer verktøyet.** Å bære elektriske verktøy med fingeren på bryteren eller å sette inn støpselet mens elektriske verktøy har bryteren på øker faren for ulykker.
 - Fjern eventuelt innstillingsverktøy eller skruverktøy før du slår på elektroverktøyet.** En nøkkel som er festet til en roterende del av det elektriske verktøyet kan føre til personskade.
 - Ikke strekk deg for langt. Ha godt fotfeste og stå støtt hele tiden.** Dette fører til at du har bedre kontroll over det elektriske verktøyet ved uventede situasjoner.
 - Bruk egnede klær. Ikke ha på deg løstsittende klær eller smykker. Hold hår, antrekk og hansker borte fra bevegelige deler.** Løstsittende klær, smykker og langt hår kan bli fanget opp av bevegelige deler.
 - Hvis det kan monteres støvavsug- og oppsamlingsinnretninger, må du forvise deg om at disse er tilkoblet og brukes på riktig måte.** Bruk av støvoppsamlere kan redusere støvrelaterte farer.
- Ikke la kunnskap som du har fått fra hyppig bruk av verktøy la deg bli for selvsikker slik at du ignorerer verktøyets sikkerhetsprinsipper.** En uforsiktig handling kan føre til alvorlig personskade på brøkdelen av et sekund.

4. Bruk og vedlikehold av elektriske verktøy

- Ikke bruk makt på elektroverktøyet. Bruk det elektriske verktøyet som situasjonen krever.** Det riktige elektriske verktøyet vil gjøre jobben bedre og tryggere ved den hastigheten det ble konstruert for.
- Ikke bruk elektroverktøyet hvis du ikke kan slå det på og av med bryteren.** Ethvert elektrisk verktøy som ikke kan kontrolleres med bryteren er farlig og må repareres.

- c. **Trek støpselet ut av stikkkontakten og/eller koble fra batteripakken på elektroverktøyet før du utfører innstillinger, bytter tilbehør eller legger elektroverktøyet bort.** Slike preventive sikkerhetsforanstaltninger reduserer risikoen for å starte det elektriske verktøyet ved et uhell.
- d. **Elektroverktøy som ikke er i bruk, må oppbevares utilgjengelig for barn. Ikke la verktøyet bli brukt av personer som ikke er fortrolige med det, eller som ikke kjenner disse instruksjonene.** Elektriske verktøy er farlige i hendene på utrenede brukere.
- e. **Hold verktøy og tilbehør ved like. Kontroller om bevegelige deler er feiljustert eller fastskjært, om deler er ødelagt eller andre forhold som kan påvirke driften av verktøyet. Dersom det er skadet, få verktøyet reparert før neste bruk.** Mange ulykker forårsakes av dårlig vedlikeholdte verktøy.
- f. **Hold skjæreverktøy skarpe og rene.** Godt vedlikeholdte skjæreverktøy med skarpe skjærekanter setter seg mindre sannsynlig fast og er lettere å kontrollere.
- g. **Bruk elektroverktøy, tilbehør, bor osv. i henhold til disse instruksjonene. Ta hensyn til arbeidsforholdene og arbeidet som skal utføres.** Bruk av det elektriske verktøyet for oppgaver som er forskjellige fra de som er tiltenkt kan føre til en farlig situasjon.
- h. **Hold håndtak og gripeflater tørre, rene og frie for fett olje og fett.** Glatte håndtak og gripeområder gir utrygg håndtering og manglende kontroll over verktøyet i uventede situasjoner.
5. **Bruk og stell av batteriverktøy**
- a. **Ladningen skal bare skje med den laderen som produsenten har spesifisert.** En lader som passer for en type batteripakke kan føre til risiko for brann dersom den brukes på en annen batteripakke.
- b. **Bruk elektroverktøy bare sammen med spesifikt angitte batteripakker.** Bruk av andre batteripakker kan føre til risiko for personskade og brann.
- c. **Når batteripakken ikke er i bruk, må du oppbevare den atskilt fra andre metallgjenstander som binders, mynter, nøkler, spiker, skruer eller andre små metallgjenstander som kan opprette en forbindelse fra en terminal til en annen.** Kortslutning av batteripolene mot hverandre kan føre til brannskader eller brann.
- d. **Ved feilaktig bruk kan det komme væske ut av batteriet, unngå kontakt med den. Dersom du kommer i kontakt med den, skyll av med vann. Dersom du får væsken i øynene, søk legehjelp.** Væske som kommer ut av batteriet kan føre til irritasjon eller brannskader.
- e. **Ikke bruk en batteripakke eller verktøy som er skadet eller modifisert.** Skadede eller modifiserte batterier kan oppføre seg uforutsigbart og føre til brann, eksplosjon eller fare for personskade.
- f. **Ikke utsett en batteripakke eller et verktøy for ild eller for høy temperatur.** Ild eller temperatur over 130 °C kan føre til en eksplosjon.
- Følg alle anvisninger for lading og lad ikke batteripakken eller verktøyet ved temperaturer som avviker fra området spesifisert i bruksanvisningen.** Feilaktig lading eller lading ved temperaturer utenfor det angitte område kan skade batteriet og øker brannfaren.
6. **Service**
- a. **Elektroverktøy skal repareres av kvalifisert personell og bare med originale reservedeler.** Dette vil sikre at verktøyet sikkerhet blir ivaretatt.
- b. **Utfør aldri vedlikehold på skadede batteripakker.** Vedlikehold av batteripakker skal kun utføres av produsenten eller autoriserte serviceverksteder.

Sikkerhetsinstruksjoner for gjærsgager

- ◆ **Gjærsgager er ment for kapping av tre eller tre-lignende produkter, og kan ikke brukes med kappeskiver ment for kapping av jernholdige materialer som jernstenger, bjelker, lekter og lignende.** Slipestøv vil føre til at bevegelige deler som nedre beskyttelse kan kile seg. Gnister fra slipe-/kappeskiver vil brenne nedre beskyttelse, sporføreren og andre plastdeler.
- ◆ **Bruk klemmer/tvinger for å feste arbeidsstykket når det er praktisk. Dersom du støtter arbeidsstykket med hånden, må du alltid ha hånden minst 100 mm fra hver side av sagbladet. Ikke bruk denne sagen for å kappe biter som er for små til å klemmes fast eller holdes med hånden.** Dersom du har hånden for nært bladet, er det stor fare for personskade som følge av kontakt med bladet.
- ◆ **Arbeidsstykket skal være i ro og klemt eller holdt fast mot både anlegget og bordet. Ikke mat frem arbeidsstykket mot bladet eller sag "frihånd" på noen måte.** Arbeidsstykker som ikke er festet eller som beveger seg kan kastes løs i stor hastighet og føre til personskader.
- ◆ **Skyv sagen gjennom arbeidsstykket. Ikke trekk sagen gjennom arbeidsstykket. For å kappe, løft saghodet og trekk det ut over arbeidsstykket uten å sage, start motoren, trykk saghodet ned og skyv sagen gjennom arbeidsstykket.** Dersom du sager ved å trekke, vil det som regel føre til at sagbladet "klatrer" opp på arbeidsstykket og vil kaste bladmodulen voldsomt mot brukeren.
- ◆ **Kryss aldri hånden over den tenkte saglinjen, hverken foran eller bak sagbladet.** Støtting av arbeidsstykket med hendene "i kryss", dvs. å holde arbeidsstykket til høyre av sagbladet med venstre hånd eller omvendt er svært farlig.

- ◆ **Ikke grip bak anlegget med noen hånd nærmere enn 100 mm fra hver side av sagbladet, hverken for å fjerne treflis eller for noen annen grunn når bladet roterer.** Det er kanskje ikke opplagt hvor nært sagbladet er hånden din, og du kan få alvorlig personskade.
- ◆ **Inspiser arbeidsstykket før saging. Dersom arbeidsstykket er bøyd eller vridd, klem det fast med den utvendige bøyde siden mot anlegget. Pass alltid på at det ikke er noe mellomrom mellom arbeidsstykke, anlegg eller bord langs linjen som skal sages.** Bøyde eller vridd arbeidsstykker kan vri eller flytte seg og kan føre til at sagbladet kjører seg fast under saging. Det må ikke være spikere eller andre fremmedlegemer i arbeidsstykket.
- ◆ **Ikke bruk sagen for bordet er fritt for verktøy, trespon og annet, alt unntatt arbeidsstykket.** Smårusk eller løse stykker av treverk eller andre objekter som kan komme i kontakt med det roterende bladet kan kastes ut med stor hastighet.
- ◆ **Kapp bare ett arbeidsstykke av gangen.** Stabling av flere arbeidsstykker kan ikke klemmes eller holdes fast, og kan bevege seg eller føre til at sagen kjører seg fast ved saging.
- ◆ **Forsikre deg om at gjærsgagen er montert på et flatt, fast arbeidsunderlag for bruk.** Et flatt og fast arbeidsunderlag reduserer faren for at gjærsgagen skal bli ustabil.
- ◆ **Planlegg arbeidet. Hver gang du endrer skråvinkel eller gjæringsvinkel, pass på at det justerbare anlegget er stilt inn korrekt for å støtte arbeidsstykket, og ikke kan kolliderer med bladet eller beskyttelsessystemet.** Uten at du slår på verktøyet, og uten noe arbeidsstykke på bordet, før sagbladet gjennom et komplett, simulert kutt for å sjekke at det ikke er fare for kollisjon eller for å sage inn i anlegget.
- ◆ **Pass på tilstrekkelig støtte i form av bordforlengelse, sagbukk og lignende for arbeidsstykker som er bredere eller lenger enn bordplaten.** Arbeidsstykker som er lenger eller bredere enn gjærsgagbordet kan vippe dersom de ikke støttes opp ordentlig. Dersom stykket som kappes av eller arbeidsstykket vipper over, kan det føre til at nedre beskyttelse løftes eller kastes løs av det roterende bladet.
- ◆ **Du skal ikke bruke en annen person som erstatning for en bordforlenger eller for ekstra støtte.** Ustøttet støtte for arbeidsstykket kan føre til at bladet kjører seg fast eller til at arbeidsstykket flytter seg under saging, og kan trekke deg eller personen som hjelper til inn i det roterende bladet.
- ◆ **Stykket som kappes av skal ikke festes eller presses mot det roterende sagbladet på noen måte.**

Dersom det er begrensninger, dvs. bruk av lengdestopper, kan det avkappede stykket bli klemt mot bladet og kastes voldsomt ut.

- ◆ **Bruk alltid en klemme eller et feste som er designet for runde arbeidsstykker for stenger eller rør.** Stenger har en tendens til å rulle når de sages, som fører til at bladet "biter" og trekker arbeidsstykket og hånden din inn i bladet.
- ◆ **La bladet få full hastighet før kontakt med arbeidsstykket.** Dette vil redusere faren for at arbeidsstykket kastes løs.
- ◆ **Dersom arbeidsstykket kjøres fast, slå av gjærsgagen. Vent til alle bevegelige deler har stoppet, trekk støpselet ut av stikkkontakten og/eller ta ut batteripakken. Så kan du forsøke å løsen det fastkjørte arbeidsstykket.** Fortsatt saging med et fastkjørt arbeidsstykke kan føre til at du mister kontrollen eller til skader på gjærsgagen.
- ◆ **Etter ferdig kutt, slipp bryteren, hold saghodet nede og vent for at bladet stopper før du fjerner det avkappede stykket.** Å føre hånden nær det roterende bladet er farlig.

Ytterligere sikkerhetsinstruksjoner for gjærsgager

- ◆ Bruksområdet er beskrevet i denne bruksanvisning. Hvis du bruker annet tilbehør, kobler til annet utstyr eller bruker dette produktet til andre oppgaver enn det som er anbefalt i denne håndboken, kan det føre til fare for personskade og/eller skade på eiendom.
- ◆ Ikke bruk sprukne, bøyde, skadde eller deformerte sagblader.
- ◆ Skift ut sporføreren dersom den er slitt.
- ◆ Ikke bruk blader med større eller mindre diameter enn anbefalt. For opplysninger om riktig skjærekapasitet, se tekniske data. Bruk kun sagblader spesifisert i denne manualen, som er i samsvar med EN 847-1.
- ◆ Ikke bruk sagblader som er laget av høyhastighetsstål (HSS).



Advarsel! Kontakt med eller innånding av støv som oppstår ved saging, kan være helseskadelig for brukeren og eventuelle personer i nærheten. Bruk en støvmaske som er spesielt utformet for å verne mot støv og damp/gass, og pass på at personer som er i eller kommer inn i arbeidsområdet, også er beskyttet.

- ◆ Ikke arbeid med materialer som inneholder asbest. Asbest regnes som kreftfremkallende.
- ◆ Bruk hansker når du håndterer sagblader og grovt materiale (sagblader skal bæres i en holder når det er praktisk mulig).
- ◆ Bruk hørselvern for å redusere risikoen for hørselskade.
- ◆ Vurder å bruke spesielt konstruerte støvreduksjonsblader.

- ◆ Bruk vernebriller for å redusere risikoen for personskade.
- ◆ Bruk støvposen som følger med når du sager tre.
- ◆ **Hold det elektriske verktøyet kun i isolerte gripeoverflater når du utfører operasjoner hvor kutteutstyret kan komme i kontakt med skjulte ledninger eller egen ledning.** Hvis skjæretilbehøret kommer i kontakt med en strømførende ledning, kan frittliggende metalldele på verktøyet bli strømførende, og brukeren kan få elektrisk støt.
- ◆ Velg et blad tilpasset materialet som skal skjæres.
- ◆ Ikke bruk maskinen uten at vernet er på plass. Bruk aldri maskinen hvis ikke vernet fungerer eller er i god stand.
- ◆ Sørg for at armen er festet på sikker vis når du utfører skråvinkel kutt.
- ◆ Før kapping, pass på at maskinen står støtt.
- ◆ Hold håndtakene tørre, rene og frie for olje og fett.
- ◆ Hold området rundt maskinen i god orden og fritt for løst materiale, for eksempel spon og kapp.
- ◆ Kontroller at maskinen og arbeidsområdet får nok lys fra rombelysning eller plassbelysning.
- ◆ Ikke la personer uten opplæring bruke denne maskinen.
- ◆ Kontroller at bladet er montert riktig før bruk. Sørg for at bladet roterer i riktig retning. Hold bladet skarpt. Følg anvisningen for smøring og utskifting av tilbehør.
- ◆ Bruk kun sagblad der hastigheten markert på bladet er tilsvarende eller mer enn hastigheten markert på sagen.
- ◆ Pass på at eventuelle mellomringer og spindelringer passer for bruken, som angitt av STANLEY FATMAX.
- ◆ Reparasjoner på laseren skal utføres av godkjente serviceverksteder eller servicemedarbeidere fra STANLEY FATMAX.
- ◆ Ta batteriet av verktøyet før vedlikeholdsarbeid og når du skifter blad.
- ◆ Utfør aldri rengjøring, vedlikehold eller fjerning av kapp eller andre deler av arbeidsstykket fra skjærområdet når maskinen går og saghodet ikke er i hvilestilling.
- ◆ Verktøyet skal alltid monteres på en benk dersom det er mulig.
- ◆ Kontroller at alle låseknøtter og håndtak er strammet godt til før du starter en operasjon.
- ◆ Bruk aldri sagen uten bordinnsatsen.
- ◆ Forsøk aldri å stoppe maskinens bevegelse raskt ved å presse et verktøy eller noe annet mot bladet. Det kan skje alvorlige ulykker uforvarende på denne måten.
- ◆ Les håndboken før du bruker eller monterer tilbehør. Feil bruk av tilleggsutstyr kan forårsake skade.
- ◆ Hev bladet fra bordinnsatsen i arbeidsstykket før du slipper av/på-bryteren.
- ◆ Ikke kil noe fast mot viften for å holde motorakslen.
- ◆ Bladbeskyttelsen på sagen løftes automatisk når armen tas ned; den senkes ned over bladet når armen løftes. Beskyttelsen kan løftes for hånd når du installerer eller fjerner sagblader for inspeksjon av sagen.

- ◆ Hev aldri bladvernet manuelt hvis ikke maskinen er slått av.
- ◆ Kontroller regelmessig at motorens luftsprekker er rene og fri for spon.
- ◆ Gjør aldri advarselmerkingen på elektroverktøyet uleselig.
- ◆ Stå aldri på elektroverktøyet. Det kan oppstå alvorlig personskade hvis elektroverktøyet vipper, eller hvis du kommer i kontakt med sagbladet.
- ◆ Ikke ta i sagbladet etter arbeidet før det er blitt avkjølt. Sagbladet blir svært varmt under arbeidet.
- ◆ Unngå personskade på grunn av materialer som kastes. Ta batteriet av sagen for å unngå utilsikket start, og fjern deretter små materialbiter.
- ◆ Før bruk og etter vedlikehold må du kontrollere bladvernet for å sikre at det fungerer riktig. Denne kontrollen må utføres mens sagen er slått av og batteriet er tatt av. Armen må heves og senkes slik at du sikrer at vernet dekker bladet, og at bladet ikke kommer i kontakt med vernet. Hvis vernet ikke fungerer riktig, må elektroverktøyet repareres av et godkjent serviceverksted. Ring kundeservice hos STANLEY FATMAX for å få oppgitt nærmeste serviceverksted.
- ◆ **Denne gjærsagen er beregnet for å sage tre, plast og metaller som ikke inneholder jern.** Ikke bruk sagen for å sage andre materialer enn de som er anbefalt av leverandøren.
- ◆ Ikke ta i sagbladet etter arbeidet før det er blitt avkjølt. Sagbladet blir svært varmt under arbeidet.



Advarsel! Kutting av plast, tremateriale med mye harpiks eller andre materialer kan føre til at smeltet materiale samler seg opp på bladet og bladtennene, dette øker risikoen for at bladet blir overopphetet og bøyer seg mens du sager.

Sikkerhet for andre

- ◆ Denne laderen kan brukes av barn som er 8 år eller eldre samt av personer som har reduserte fysiske, sansemessige eller mentale evner, eller som mangler erfaring og kunnskap, hvis de har tilsyn eller har fått veiledning i bruk av apparatet på en trygg måte og forstår farene som foreligger.
- ◆ Barn skal ikke leke med apparatet. Rengjøring og brukervedlikehold skal ikke utføres av barn uten tilsyn.

Restrisikoer

Følgende risikoer er alltid tilstede ved bruk av sager: Til tross for at man følger relevante sikkerhetsbestemmelser og bruker sikkerhetsutstyr, er det bestemte restrisikoer som ikke kan unngås. Disse inkluderer:

- ◆ Personskader som forårsakes av berøring av en roterende/bevegelig del.
- ◆ Hørselskader.

- ◆ Risiko for ulykker forårsaket av delene av sagbladet som ikke er tildekket.
- ◆ Risiko for personskader som forårsakes av at en del, et blad eller tilbehør endres.
- ◆ Risiko for klemte fingre ved åpning av beskyttelsene.
- ◆ Helsefarer som skyldes innånding av støv som oppstår ved saging av tre – spesielt eik, bøk og MDF.
- ◆ Personsikader som forårsakes av langvarig bruk av et verktøy. Ved bruk av et verktøy i lengre perioder, pass på å ta regelmessige pauser.



Ikke se direkte på lampen når den er på

Ytterligere sikkerhetsinstruksjoner for batterier og ladere

Advarsel! Apparatet må bare brukes med strømforsyningsenheten som fulgte med apparatet.

Merk: Verktøyet driftstemperatur er anbefalt å være mellom 4 °C og 40 °C.

Batterier

- ◆ Forsøk aldri å åpne av noen årsak.
- ◆ Ikke utsett batteriet for vann.
- ◆ Ikke oppbevar det på steder hvor temperaturen kan komme over 40 °C.
- ◆ Lade kun ved omgivelsestemperaturer mellom 10 °C og 40 °C.
- ◆ Bruk bare laderen som følger med verktøyet.
- ◆ Følg instruksjonene i avsnittet "Miljøvern" når du skal kaste batterier.



Ikke forsøk å lade opp skadede batterier.

Ladere

- ◆ Stanley FatMax-laderen skal bare brukes til å lade batteriet i apparatet som laderen kom sammen med. Andre batterier kan sprekke og føre til personskade og materiell skade.
- ◆ **Prøv aldri å lade ikke-oppladbare batterier.**
- ◆ **Skift ut defekte ledninger umiddelbart.**
- ◆ Ikke utsett laderen for vann.
- ◆ Ikke åpne laderen.
- ◆ Ikke stikk gjenstander eller fingre ned i laderen.



Laderen er bare beregnet for bruk innendørs.



Les denne håndboken før bruk.

Elektrisk sikkerhet



Denne laderen er dobbeltisolert. Jording er derfor ikke nødvendig. Kontroller alltid at nettspenningen er i overensstemmelse med spenningen på typeskiltet. Prøv aldri å skifte ut laderen med en vanlig nettplugg.

- ◆ Hvis strømledningen blir skadet, må den skiftes av produsenten eller et autorisert Stanley Fatmax-servicesenter så man unngår fare.

Funksjoner

Dette verktøyet har følgende egenskaper og funksjoner.

1. Utløserbryter

Støy

Den oppgitte støyemisjonsverdien er blitt målt i henhold til en standard testmetode og som kan brukes til å sammenligne et verktøy med et annet.

Den oppgitte støyemisjonsverdien kan også brukes til en foreløpig vurdering av eksponering.

Advarsel! De virkelige støyverdiene under bruk av elektroverktøyet kan avvike fra de oppgitte verdiene avhengig av hvordan verktøyet brukes, og spesielt av hva slags materiale som behandles.

Advarsel! Bruk alltid riktig hørselvern. Under viss forhold og bruksvarighet kan støy fra dette produktet bidra til å miste hørselen. Vennligst vær oppmerksom på følgende faktorer som påvirker belastningen fra støy:

- ◆ Bruk sagblader som er designet for å redusere støyutvikling.
- ◆ Bruk kun godt skjerpede sagblader.
- ◆ Bruk sagblad spesielt utviklet for redusert støy.

Etiketter på verktøyet

Følgende symboler og datokode er vist på verktøyet:



Advarsel! For å redusere skaderisikoen, les bruksanvisningen.



Bruk vernebriller



Bruk hørselvern



Bruk en støvmaske



Produktet skal ikke benyttes av barn under 16 år



Hold hendene unna bladet



Ingen hender-området – hold fingre og armer unna sagblad som roterer



Benytt hansker når du håndterer sagblader

2. Betjeningshåndtak
3. Monteringshull
4. Nedre beskyttelse
5. Låseknott for gjæring
6. Gjæringslåseknapp
7. Snittplate
8. Gjæringssskala
9. Gjæringsskalaindikator
10. Bærehåndtak
11. Anlegg
12. Skråvinkel låseknapp
13. Skinner
- 13a. Borrelås
14. Støvsugertilkobling
15. Batteripakke
16. Arbeidslampebryter
17. Låsespake
18. Skinnelåseskrue
19. Monteringshull for klemme
20. Låsepinne

Montering (figur A)

Gjærsagen er delvis montert i pakken.

- ◆ Åpne boksen og løft ut sagen ved hjelp av bærehåndtakene (10) i bunnen av sagen (figur A).
- ◆ Legg sagen på en glatt, plan plate så som en arbeidsbenk eller et kraftig bord.
- ◆ Se på monteringsdiagrammet på side 2 i denne bruksanvisningen for å gjøre deg kjent med sagen og de ulike delene. Avsnittet om justeringer vil henvise til disse delene, så du må vite hva de er og hvor de er.
- ◆ Låseknott for gjæring (5) er ikke montert ved forsendelse. Ta låseknott for gjæring (5) ut av emballasjen og skru den inn på sagen, se figur G og J for posisjon.
- ◆ Sagen din har en innebygget støvport (14) som enten lar deg bruke den medfølgende - ikke monterte - støvposen (35) eller en tilkoblet verkstedstøvsuger (figur N).

Snittplate (figur J)

Snittplaten (7) er festet til bordet med 6 skruer. Snittplaten (7) er ikke justerbar.

Merk: Dersom snittplaten (7) er slitt, skadet eller må skiftes ut, skal reparasjoner utføres av autoriserte serviceverksteder eller STANLEY FATMAX servicepersonell.

Låsepinne (figur F)

Advarsel! Låsepinnen skal KUN brukes når sagen bæres eller oppbevares. Bruk ALDRI låsepinnen for kapping.

Merk: For å løfte, bære og støtte gjærsagen, bruk de to bærehåndtakene (10) på hver sin side av bunnen på gjærsagen (figur A).

For å låse saghodet i ned-stilling trykk saghodet ned, trykk låsepinne (20) inn og slipp saghodet.

Dette holder saghodet trygt nede for transport av sagen fra sted til sted. For å slippe trykk saghodet ned og dra ut pinnen.

Advarsel! Forsikre deg om at verktøyet er slått av og at batteriet er tatt ut av verktøyet før justeringer eller kontroll av verktøyet funksjoner.

Lade et batteri (figur B)

Batteriet må lades før første bruk og hver gang det ikke lenger gir nok strøm til jobber som tidligere lett ble utført. Batteriet kan bli varmt under ladning. Dette er normalt og innebærer ikke feil.

Advarsel! Ikke lad batteriet ved omgivelsestemperaturer under 10 °C eller over 40 °C. Anbefalt ladetemperatur er ca. 24 °C.




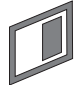


Merk: Laderen vil ikke lade et batteri hvis celleteperaturen er under ca. 10 °C eller over 40 °C.

Du bør la batteriet stå i laderen. Laderen begynner å lade automatisk når celleteperaturen blir høyere eller lavere.

Merk: For å sikre maksimum ytelse og levetid på Li-Ion batteripakker, lad batteripakken helt opp før første gangs bruk.

- ◆ Plugg inn laderen (21) i en passende stikkontakt før du setter inn batteripakken (15).
- ◆ Det grønne ladelyset (21a) blinker kontinuerlig som indikasjon på at ladeprosessen er startet.
- ◆ Fullført lading vises ved at det grønne ladelyset (21a) er PÅ kontinuerlig. Batteripakken (15) er da fullt oppladet og kan brukes, eller den kan bli stående i laderen (21).
- ◆ Lad utladede batterier innen 1 uke. Batterienes levetid vil bli mye mindre hvis de oppbevares utladet.

LED-moduser for laderen

	Lading: Blinkende grønn LED	
	Fulladet: Lysende grønn LED	
	Ventetid for varm/kald pakke: Blinkende grønn LED Lysende rød LED	

Merk: Kompatible ladere vil ikke lade en defekt batteripakke. Laderen vil indikere feil ved batteripakken ved at lyset ikke er på.

Merk: Dette kan også tyde på et problem med laderen. Dersom laderen indikerer et problem, ta med lader og batteripakke til et servicesenter for testing.

La batteriet være i laderen

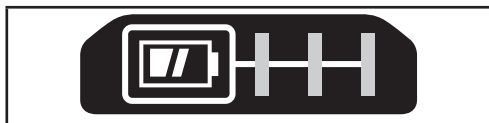
Laderen og batteripakken kan forbli tilkoblet med lysende lampe i ubegrenset tid. Laderen vil holde batteripakken klar og fulladet.

Ventetid for varm/kald pakke

Når laderen oppdager et batteri som er for varmt eller for kaldt, vil den automatisk starte ventetid for varm/kald pakke, og det grønne LED-lyset (21a) vil blinke, mens det røde LED-lyset (21b) vil lyse kontinuerlig og stoppe ladingen inntil batteriet når riktig temperatur. Laderen vil deretter automatisk skifte til lademodus for pakken. Denne funksjonen sikrer maksimal levetid på batteriet.

Batteriets ladeindikator (figur C)

Batteriet er utstyrt med en ladeindikator slik at man raskt kan se batterilevetiden som vist i figur B. Ved å trykke ladeindikatorknappen (15a) kan du enkelt se gjenværende batterilevetid som illustrert i figur C.



Sette inn og ta ut batteriet (figur D, E)

- ◆ Når du skal sette inn batteriet (15), holder du det på linje med kontakten på verktøyet (22). Skyv batteriet inn i kontakten, og skyv til det klikker på plass.
- ◆ Når du skal ta ut batteriet, trykker du på batterilåseknappen (15b) og trekker samtidig batteriet ut av kontakten som vist i figur E.

Skifte eller sette på et nytt sagblad (figur G, H, I)

Advarsel! For å redusere faren for alvorlige personskader, slå av verktøy og koble fra batteripakken før du transporterer, gjør justeringer eller tar av/setter på tilbehør eller ekstrautstyr. Utilsiktet oppstart kan føre til personskader.

Fjerne bladet

- ◆ Ta av batteripakken (15) fra sagen.
- ◆ Løft armen til øvre posisjon og løft nedre beskyttelse (4) så langt som mulig.
- ◆ Løsne, men ikke ta av fremre skruer på beskyttelsesbraketten (24) til braketten (25) kan løftes langt nok til å komme til bladskruen (26). Nedre beskyttelse vil holde seg oppe på grunn av posisjonen til skruen på beskyttelsesbraketten.
- ◆ Trykk ned spindellåsen (28) mens du forsiktig roterer bladet (29) for hånd til det går i lås.
- ◆ Hold knappen nedtrykket, bruk den andre hånden og sekskantsiden av nøkkelen som følger med for å løsne bladskruen (26). (Vri med klokka, venstregjengjet.)

- ◆ Ta av bladskruen (26) ved hjelp sekskantsiden av den medfølgende nøkkelen, ytre klemskive (30) og bladet (29). Den indre klemskiven (31) kan du la være på spindelen (32).

Installere et blad

- ◆ Ta av batteripakken (15) fra sagen.
- ◆ Med armen løftet, nedre beskyttelse (4) holdt åpen og beskyttelsesbraketten (25) løftet, sett bladet (29) på spindelen (32) og mot indre klemskive (31) med tennene på bladet pekende i rotasjonsretningen som markert på sagen.
- ◆ Monter den ytre klemskiven (30) på spindelen (32).
- ◆ Installer bladskruen (26) og engasjer spindellåsen (28), stram godt til skruen (26) med nøkkelen (vri mot klokka, venstregjenger).
- ◆ Sett beskyttelsesbraketten (25) tilbake til original fullt nede posisjon og stram godt til begge skruene (24) på beskyttelsesbraketten for å holde den på plass.

Kappelinje styresystem

Advarsel! Ikke se inn i arbeidslampe. Det kan resultere i alvorlig øyeskade.

Merk: Batteriet må være oppladet og tilkoblet gjørsagen.

Kappelinje styresystem kan bare vris På eller Av med bryteren på arbeidslampe (16).

For å sage langs en markert linje på trestykket, slå på kappelinje styresystem ved hjelp av arbeidslampebryteren (16) (ikke med hovedavtrekkeren), trekk så ned betjeningshåndtaket (2) for å føre sagbladet nært til trestykket. Skyggen av bladet vil vises på trestykket. Denne skyggelinjen viser materialet som bladet vil fjerne ved sagingen. For korrekt plassering av snittet med den avmerkede linjen, rett inn skyggelinjen med den avmerkede linjen. Du kan måtte justere gjærings- eller skråvinkel for å kunne følge streken nøyaktig.

Sagen har en funksjon for batterifeil. Kappelinje styresystem begynner å blinke når batteriet er nesten utladet, eller dersom batteriet er for varmt. Lad opp batteriet før du fortsetter sagingen. Se Ladeprosedyre under Viktige sikkerhetsanvisninger for batteripakker for anvisninger om lading av batteriet.

Gjæringskontroll (figur J)

Gjæringslåshåndtaket (5) og gjæringslåseknappen (6) lar deg stille sagen til 47° høyre og 47° venstre. Gjæringslåsen vil automatisk låse i 0°, 15°, 22,5°, 31,6° og 45° både til venstre og høyre. For å bruke gjæring på sagen, lås opp gjæringslåsemekanismen ved å vri låseknot for gjæring (5) mot klokken for å låse opp og med klokken for å låse. Trekk gjæringslåseknappen (6) opp og still inn gjæringsvinkelen som ønsket på gjæringskalaen (8). Lås låseknot for gjæring (5) ved å vri den med klokken.

Skråvinkel-låseknapp (figur K)

Skråvinkelåsen lar deg stille skråvinkel opp til 48° venstre. For å justere skråvinkelen, vri skråvinkel-låseknappen (12) mot klokken for å løsne den. For stramme til, vri skråvinkelåsen med klokka.

Forsiktig! Klypefare. Pass på å stramme skråvinkel låseknapp før å justere overstyringer.

Avtrekkerbryter (figur L)

For å slå sagen på, press låsespaken (17) til venstre og trykk deretter inn avtrekkeren (1). Sagen vil gå så lenge bryteren er presset ned. La bladet komme til full hastighet før du starter å sage. For å slå av sagen, slipp bryteren. La bladet stoppe før du løfter saghodet. Det er ingen mulighet for å låse bryteren på. Det er et hull (1a) i avtrekkerbryteren for å kunne sette inn en hengelås for låsing av sagen.

Sagen er ikke utstyrt med en automatisk elektrisk bladbrem, men sagbladet skal stoppe innen 5 sekunder etter du slipper avtrekkeren. Den kan ikke justeres. Dersom stopptiden gjentatte ganger overstiger 5 sekunder, send verktøyet til service hos et autorisert Stanley FatMax-serviceverksted. Pass alltid på at bladet er stoppet før du tar det ut av sagsporet.

Støvsuging (figur M)

Advarsel! For å redusere faren for alvorlige personskader, slå av verktøy og koble fra batteripakken før du transporterer, gjør justeringer eller tar av/setter på tilbehør eller ekstrautstyr. Utisiktet oppstart kan føre til personskader. Sagen din har en innebygget støvport (14) som enten lar deg bruke den medfølgende støvpose (35) eller en tilkoblet verkstedstøvsuger.

For å feste støvposen

- ◆ Sett støvposen (35) på støvporten (14) som vist i figur M.
- ◆ En støvsugerslange (38 - medfølger ikke) kan monteres på støvporten (14) i stedet på støvposen (35). Dette kan gjøres ved å sette inn støvsugerslangen (38) inn i stedet for støvposen (35), se figur M.
- ◆ Bruk borrelåsen (13a) for å holde støvsugerslangen (38) unna skinnene (13) ved bruk av sagen.

Merk: Borrelåsen (13a) er ikke et bærehåndtak og skal ikke brukes for å flytte eller transportere sagen.

For å tømme støvposen

- ◆ Ta av støvposen (35) fra sagen og rist eller bank støvposen forsiktig for å tømme den.
- ◆ Sett på igjen støvposen på støvporten (14).

Legg merke til at ikke alt støvet ikke vil løsne fra posen. Dette vil ikke påvirke sageeffekten, men vil redusere effektiviteten av støvoppsamlingen.

For å gjenopprette sagens støvsamlingsseffekt, trykk inn fjæren i støvposen når du tømmer den og bank den mot siden av søppelbøtten eller støvsamlere.

Advarsel! Bruk aldri denne agen uten at en støvsuger er satt på. Tre støv kan være farlig for åndedrettet.

Kapping med sagen

Dersom skyvefunksjonen ikke brukes, pass på at saghodet er skjøvet så langt tilbake som mulig og at skinnelåseknappen (18) er strammet til. Dette vil hindre at sagen sklir langs skinnen etterhvert som arbeidsstykket engasjeres.

Merk: IKKE KAPP JERNHOLDIGE METALLER ELLER MURVERK MED DENNE SAGEN (METALLER UTEN JERNINNHOLD KAN KAPPE). Ikke bruk slipeskiver.

Merk: Se Aktivering og synlighet av beskyttelse i avsnittet Justeringer I Viktig informasjon om nedre beskyttelse før du sager.

Tverrkutt (figur N)

Tverrkapping er kapping av treverket på tvers av veden, uansett vinkel. Et rett kutt gjøres med gjæringsarmen i posisjon null grader. Still inn og lås gjæringsarmen på null, og hold trestykket fast mot bordet og mot anlegget. Med skinnelåseknappen (18) strammet, slå på sagen ved å trykke inn avtrekkerbryteren (1).

Når sagen er kommet i hastighet (omtrent 1 sekund), senk armen mykt og langsomt for å kappe gjennom trestykket. La bladet stoppe helt før du løfter armen.

Ved saging av noe større enn 51mm x 102mm (2 x 4), bruk en ut-ned-tilbake bevegelse med skinnelåsen (18) løsnet.

Trekk sagen ut mot deg, senk saghodet mot arbeidsstykket, og skyv langsomt sagen tilbake for å fullføre kuttet. Ikke la sagbladet komme i direkte kontakt med toppen av arbeidsstykket når du trekker ut. Sagen kan "løpe" mot deg og føre til personskade eller skader på arbeidsstykket.

Advarsel! Bruk alltid en arbeidsklemme for å holde kontroll og redusere faren for skade på arbeidsstykket og personskader, dersom du må bevege hendene innenfor 152 mm (6") av bladet under sagingen.

Merk! Skinnelåseknappen (18) må være løsnet for å la sagen skli langs skinnene.

Tverrkutt med gjæringsvinkel gjøres med gjæringsarmen på en annen vinkel enn null.

Gjæringsvinkel er ofte 45° for å lage hjørner, men kan stilles inn hele veien fra null til 47° venstre eller 47° høyre. Foreta sagingen som beskrevet over.

Når du utfører et gjæringskutt på arbeidsstykker bredere enn 2 x 6 som er kortere av lengde, legg alltid den lengste siden mot anlegget (figur O).

For å kutte langs en trukket linje på et trestykke, tilpass vinkelen så nært som mulig.

Kapp trestykket litt for langt og mål fra den merkede linjen til kanten av kuttet, for å se hvilken vei du må justere gjæringsvinkelen for å tilpasse kuttet, og sag en gang til. Dette krever litt øvelse, men er en vanlig teknikk.

Avfasing

Et skråkutt er et tverrkutt med sagbladet hellende i en vinkel mot treverket. For å stille inn skråvinkelen, løsne knappen (12) og sett sagen til venstre så langt som ønsket. Når du har stilt inn skråvinkelen, trekk til skråvinkellåsen godt. Skråvinkler kan stilles fra 3° høyre til 48° venstre.

Kvalitet på kutt

Glatthet av kuttene avhenger av mange variabler. Som materialet som skal kappes, skarphet av bladet og sagehastighet bidrar alle til kvaliteten av snittet. Når du ønsker glatte kutt for listverk og annet presisjonsarbeider, bruk et skarpt blad (60 karbid-tenner) og en langsom, jevn sagehastighet for å få best mulig resultat. Påse at materialet ikke flytter seg eller kryper under saging; fest det godt på plass.

La alltid bladet stoppe helt før du løfter armen. Dersom små sagfliser stikker ut bakerst på arbeidsstykket fest et stykke maskeringsteip der kutten skal gjøres. Sag gjennom teipen og fjern den forsiktig når du er ferdig.

For ulike typer saging, se listen av anbefalte sagblad for sagen og velg den som best passer for ønsket bruk. Se Sagblad under Ekstra tilbehør.

Plassering av kropp og hender (figur O1–O4)

Korrekt plassering av kropp og hender ved bruk av gjærings sagen vil gjøre sagingen, enklere, mer nøyaktig og tryggere. Plasser aldri hendene i nærheten av skjærområdet. Ikke plasser hendene nærmere bladet enn 152 mm (6"). Hold arbeidsstykket fast mot bordet og anlegget under kapping. Hold hendene på plass inntil bryteren er sluppet og bladet har stoppet helt.

GJØR ALLTID EN TEST (UTEN STRØM) FØR ET VIRKELIG KUTT, SLIK AT DU KAN SJEKKE BLADETS RUTE. IKKE KRYSS HENDENE, SOM VIST I FIGUR O3.

Hold begge bena godt på bakken og hold riktig balanse. Når du beveger gjæringsarmen til venstre og høyre, følg den og stå litt til siden for bladet. Se gjennom åpningene i vernet når du følger en blyantstrek.

Klemme fast arbeidsstykket

Advarsel! For å redusere faren for alvorlige personskader, slå av verkøyt og koble fra batteripakken før du transporterer, gjør justeringer eller tar av/setter på tilbehør eller ekstrastuyt. Utsiktet oppstart kan føre til personskader.

Advarsel! Et fastklemt, balansert og sikret arbeidsstykke kan bli ubalansert etter at et kutt er utført.

En ubalansert belastning kan tippe sagen eller det som sagen er festet til, så som et bord eller arbeidsbenk. Når du gjør et kutt som kan føre til ubalanse, støtt opp arbeidsstykket godt og sikre at sagen er godt boltet til et stabilt underlag. Det kan resultere i personskade.

Advarsel! Klemfoten skal være fastklemt over basis av sagen når klemmen brukes. Klem alltid fast arbeidsstykket til basis av sagen – ikke til noen annen del av arbeidsområdet. Pass på at klemfoten ikke er klemt mot kanten av basis på sagen.

Advarsel! Bruk alltid en arbeidsklemme for å holde kontroll og redusere faren for skade på arbeidsstykket og personskader, dersom du må bevege hendene innenfor 152 mm (6") av bladet under sagingen. Dersom du ikke kan feste arbeidsstykket på bordet og mot anlegget for hånd (uregelmessig form eller annet), eller dersom hånden din kommer nærmere bladet enn 152 mm (6"), skal du bruke en klemme eller tvinge.

Bruk materialklemmen som leveres med sagen. For kjøp av materialklemmer, kontakt din lokale forhandler eller et Stanley FatMax-servicesenter.

Andre hjelpemidler som fjærklemmer, klemstenger eller C-klemmer kan være passende for visse størrelser og former på materialet. Vær nøye ved valg og bruk av slike klemmer. Bruk tid på å foreta et testløp (uten strøm) før du sager.

Installere klemme (figur P)

- ◆ Sett klemmen (37) inn i hullet (19) bak anlegget. Klemmen skal peke bakover mot bakenden av gjærings sagen. Sporet på klemstangen skal være helt innskjøvet i basisen. Pass på at sporet er fullt innskjøvet i basis på gjærings sagen. Dersom sporet er synlig vil ikke klemmen være sikret.
- ◆ Roter klemmen 180° mot fronten av gjærings sagen.
- ◆ Løsne knotten for å justere klemmen opp eller ned, og bruk finjusteringsknappen for å klemme fast arbeidsstykket.

Merk: Plasser klemmen på motsatt side av basisen ved skråsaging. GJØR ALLTID EN TEST (UTEN STRØM) FØR ET VIRKELIG KUTT, SLIK AT DU KAN SJEKKE BLADETS RUTE. SIKRE AT KLEMMEN IKKE KOMMER I VEIEN FOR FUNKSJONEN AV SAGEN ELLER ANLEGGET.

Justeringer

Gjærings sagen er helt og nøyaktig justert på fabrikken når den er produsert. Dersom en ny justering trenges grunnet forsendelsen og håndtering eller annen årsak følg anvisningene nedenfor for å justere sagen.

Når disse justeringer er gjort skal sagen forbli nøyaktig. Bruk nå litt tid for å følge anvisningene nøye, da kan du oppnå den nøyaktigheten som sagen er i stand til.

Justering av gjæringskala (figur Q1)

Lås armen i ned-posisjon. Lås opp gjæringslåsehåndtaket (5) og sving gjæringslåsen til gjæringslåsknappen (6) låser i 0° posisjon. Ikke lås gjæringslåsknappen. Sett en vinkelhake mot sagens anlegg og bladet, som vist. (Ikke berør tuppene på bladtennene med vinkelhaken. Det vil i så fall føre til uøyaktig måling.) Dersom sagbladet ikke er nøyaktig vinkelrett mot anlegget, løsne og flytt materialanlegget til bladet er vinkelrett mot anlegget, mål med en vinkelhake. Ikke bry deg med plassering av gjæringspekeren på dette tidspunkt.

Justering av skråvinkel normalt mot bordet (figur Q2)

For å rette inn bladet normalt mot bordet, lås armen i nedeposisisjon med låsepinnen (20). Sett en vinkelhake mot bladet, pass på at vinkelhaken ikke står mot tuppen på en tann. Løsne skråvinkelåseknapp (5) og sikre at armen er fast mot 0° skråvinkelstopper. Roter 0° skråvinkel justeringskrue med en 1/2" (12,7 mm) pipenøkkel (ikke vedlagt) etter behov for å få bladet til 0° skråstilling mot bordet som målt med vinkelhaken.

Aktivering og synlighet av beskyttelse (figur V)

Advarsel! Klypefare. For å redusere faren for personskade, hold tommelen under betjeningshåndtaket når du trekker håndtaket ned. Nedre beskyttelse vil bevege seg opp når betjeningshåndtaket trekkes ned, som kan føre til klyping. Nedre beskyttelse (4) på sagen er designet for automatisk å frilegge bladet når armen går ned, og for å dekke bladet når armen løftes. Før hver bruk og etter justeringer, beveg armen i full syklus (uten strøm på) og sjekk at beskyttelsen åpner og lukker seg helt. Den skal ikke komme i kontakt med bladet. Med armen oppe, løft beskyttelsen (uten strøm på) som vist i figur V og slipp den. Beskyttelsen skal lukke seg raskt. Ikke bruk sagen dersom beskyttelsen ikke beveger seg fritt og lukker seg helt. Klem eller bind aldri fast beskyttelsen i åpne posisjon ved bruk av sagen. Beskyttelsen kan løftes for hånd når du installerer eller fjerner sagblader for inspeksjon av sagen.

LØFT ALDRI NEDRE BESKYTTELSE MANUELT UTEN AT BLADET STÅR STILLE.

Merk: Noen kutt i store arbeidsstykker vil kreve at du løfter beskyttelsen manuelt. Se Saging av store materialer under Spesialkutt.

Den fremre delen av beskyttelsen har spjeld for å gi sikt under kapping. Selv om spjeldene drastisk reduserende flyvende rester, er det åpninger i beskyttelsen og vernebriller skal alltid brukes.

Skinneføring

Kontrollere skinnene (13) regelmessig for sterk og klaring. Skinnene kan rengjøres med en tørr, ren klut.

Saging av billedrammer, bokser og andre firkantede objekter (figur R1, R2)

For best forståelse av hvordan du skal best skal lage tingene nevnt her, anbefales det at du prøver med materialrester helt til du har fått "følelsen" for sagen.

Denne sagen er perfekt for gjærning av hjørner som vist i figur R1. Skisse A i figur R2 viser et hjørne laget ved å bruke skråstillingsjustering for å få kantene av to lister til 45° hver for å få et 90° hjørne. For dette kuttet er gjæringsarmen låst på null og skråvinkel er låst på 45°. Trestykket er posisjonert med den brede flate siden mot bordet, og den smale kanten mot anlegget. Samme kutt kan gjøres ved gjærning til høyre og venstre med den brede flaten mot anlegget.

Kapping av lister og andre rammer (figur R2)

Skisse B i figur R2 viser en skjøt laget ved å sette gjæringsarmen med 45° for å gjøre de to stykkene til et 90° hjørne. For å lage denne typen skjøt, sett skråvinkel til null og gjæringsarmen 45°. Trestykket er også nå posisjonert med den brede flate siden mot bordet, og den smale kanten mot anlegget.

Figur R1 og R2 er kun for firkantede objekter. Når det er et annet antall sider, må skråvinkel og gjæringsvinkel endres. Tabellen under gir deg korrekte innstillinger for saging av diverse lister.

Eksempler

Antall sider	Gjærings- eller skråvinkel
4	45°
5	36°
6	30°
7	25,7°
8	22,5°
9	20°
10	18°

Tabellen forutsetter at alle sidene har samme lengde. For former som ikke vises i tabellen, bruk følgende formel: 180° dividert på antall sider gir deg gjærningen (dersom materialet kappes vertikalt) eller skråvinkelen (dersom materialet kappes når det ligger flatt).

Saging av sammensatte gjæringer (figur R3)

En sammensatt gjærning er et kutt satt sammen av en gjæringsvinkel og en skråvinkel samtidig. Dette er den typen kutt som brukes for å lage rammer eller bokser med skråstille sider som den vist i figur R3.

Merk: Dersom kappevinkelen varierer fra kutt til kutt, kontroller at skråvinkel-låseknappen og gjæringslåseknappen er godt festet.

De skal låses etter hver endring som gjøres på gjærings- eller skråvinkel. Tabellen vist på slutten av bruksanvisningen (tabell 1) hjelper deg å sette korrekt gjæring og skråstilling for vanlige sammensatte gjæringskutt. Velg ønsket vinkel A (figur R3) for ditt prosjekt og finn den vinkelen på den aktuelle buen i tabellen. • Fra det punktet, følg tabellen rett ned for å finne korrekt skråvinkel, og rett over for å finne korrekt gjæringsvinkel. Still inn sagen til de angitte vinklene og gjør et par prøveapp. Øv deg på å sette sammen sagede stykker helt til du har fått erfaring med prosedyren og føler deg komfortabel med den.

Eksempel: For å lage en boks med 4 sider med 26° ytre vinkler (vinkel A, figur R3), bruk øvre høyre bue. Finn 26° på bueskalaen. Følg den horisontale kryssende linjen til en av sidene for å finne innstilling av gjæringsvinkel på sagen (42°). På samme måte følg den vertikalt kryssende linjen til topp eller bunn for å finne innstilling av skråvinkel på sagen (18°). Gjør alltid noen testkutt på skrapmateriale for å verifisere at innstillingene på sagen er korrekte.

Saging av gulvlister (figur S)

Rette 90° kapp:

Plasser trestykket mot anlegget og hold det på plass som vist i figur S. Slå på sagen og la bladet få full fart, senk så armen jevnt gjennom kuttet.

Saging av gulvlister 90 mm (3,5") høye vertikalt mot anlegget

Plasser materialet som vist i figur S. Alle kapp skal gjøres med baksiden av listen mot anlegget, og med bunnen av listen mot bordet.

	Innvendig hjørne	Utvendig hjørne
Venstre Side	Gjæring venstre 45° Venstre del av kappet skal brukes	Gjæring høyre 45° Venstre del av kappet skal brukes
Høyre Side	Gjæring høyre 45° Høyre del av kappet skal brukes	Gjæring venstre 45° Høyre del av kappet skal brukes

Materiale opp til 90 mm (3,5") kan kappes som beskrevet over.

Kapping av taklister

For å passe godt, må taklisten sages med sammensatt gjæring med ekstrem nøyaktighet.

De to flatene på et stykke list er nøyaktig 90° når de legges sammen. De fleste, men ikke alle, taklister har en øvre bakre vinkel (delen som ligger flatt mot taket) på 52° og en nedre bakre vinkel (som ligger flatt mot veggen) på 38°.

Din gjæringsag har en spesielt innstilt gjæringslås med låsepunkter for 31,6° venstre og høyre, for korrekt saging av taklister med korrekt vinkel. Det er også et merke på gjæringskalaen på 33,8°.

Tabellen for skråvinkelinnstilling/type kutt viser korrekte innstillinger for saging av taklister. (Tallene for gjæring og skråstilling er svært nøyaktige og ikke så lett å stille inn på sagen.) Siden de fleste rommene ikke har vinkler på nøyaktig 90°, må du finjustere innstillingene uansett.

Instruksjoner for saging av taklister som ligger flatt, og for bruk av sammensatt funksjon

- ◆ Legg listen med den brede flaten ned på sagbordet (36) (figur T1).
- ◆ Innstillingene under er for alle standard taklister med vinkler på 52° og 38°.

Skråstilling	Type kutt
33,8°	VENSTRE SIDE, INNVENDIG HJØRNE: 1. Toppen av taklisten mot anlegget 2. Gjæringsbordet stilt høyre 31,62° 3. Venstre del av kappet skal brukes
33,8°	HØYRE SIDE, INNVENDIG HJØRNE: 1. Bunnen av taklisten mot anlegget 2. Gjæringsbordet stilt venstre 31,62° 3. Venstre del av kappet skal brukes
33,8°	VENSTRE SIDE, UTVENDIG HJØRNE: 1. Bunnen av taklisten mot anlegget 2. Gjæringsbordet stilt venstre 31,62° 3. Høyre del av kappet skal brukes
33,8°	HØYRE SIDE, UTVENDIG HJØRNE: 1. Toppen av taklisten mot anlegget 2. Gjæringsbordet stilt høyre 31,62° 3. Høyre del av kappet skal brukes

Merk: Ved innstilling av skråvinkel og gjæringsvinkler, husk at vinklene i tabellen over taklister er svært nøyaktige og vanskelig å stille inn nøyaktig. Siden de lett kan flytte seg litt og svært få rom har en nøyaktig rette vinkler, bør alle innstillinger testes på skrapmaterialer.

Alternativ metode for saging av taklister

Plasser taklisten på med en vinkel mellom anlegget (11) og sagbordet (36), med toppsiden av taklisten på bordet og bunnsiden av taklisten på anlegget som vist i figur T1. Fordelen ved å kappe taklister med denne metoden er at det ikke trengs noe gjæringskutt. Mindre endringer av gjæringsvinkelen kan gjøres uten å påvirke skråvinkelen. Dersom det er andre hjørner enn 90°, kan sagen raskt og enkelt justeres for det.

Instrukser for saging av taklister med vinkling mellom anlegg og bunnplaten på sagen for alle kapp

Denne sagen kan kappe opp til 14 mm x 92 mm (9/16" x 3-5/8") taklister.

- ◆ Sett listen i vinkel slik at bunnen av listen (den delen som ligger mot veggen ved montering) er mot anlegget (11), og toppen av listen hviler mot sagbordet (36), som vist i figur T2.

- ◆ De vinklede "flatene" på baksiden av taklisten skal ligge rett an mot anlegget og sagbordet (36).

	Innvendig hjørne	Utvendig hjørne
Venstre Side	Gjæring høyre 45° Høyre del av kappet skal brukes	Gjæring venstre 45° Høyre del av kappet skal brukes
Høyre Side	Gjæring venstre 45° Venstre del av kappet skal brukes	Gjæring høyre 45° Venstre del av kappet skal brukes

Spesialkutt

Foreta aldri noen kutt uten at materialet er festet til bordet og mot anlegget.

Bøyd materiale (figur U1, U2)

Ved saging av bøyd materiale, plasser det alltid som vist i figur U1 og aldri som vist i figur U2. Plassering av materialet på feil måte vil føre til at det klemmer bladet ved slutten av snittet.

Kapping av runde materialer

Runde materialer klemmes eller holdes fast mot anlegget for å hindre at de ruller. Dette er svært viktig ved vinkelkutt.

Kapping av store materialer (figur V)

Av og til vil du få et trestykke som er litt for stort for å passe under nedre beskyttelse. For å føre beskyttelsen over trestykket, med sagen av og høyre hånd på betjeningshåndtaket, plasser høyre tommel på øvre del av beskyttelsen og rull beskyttelsen opp akkurat nok til å gå klar av trestykket, som vist i figur V. Løsne beskyttelsen for du starter motoren. Beskyttelsesmekanismen fungerer korrekt under sagingen. Gjør dette bare når det er nødvendig. **ALDRI BIND, TAPE ELLER PÅ ANNEN MÅTE HOLD BESKYTTELSEN PERMANENT ÅPEN VED BRUK AV SAGEN.**

Vedlikehold

Advarsel! For å redusere faren for alvorlige personskader, slå av verktøy og koble fra batteripakken før du transporterer, gjør justeringer eller tar av/setter på tilbehør eller ekstrautstyr. Utsiktet oppstart kan føre til personskader.

Advarsel! For å redusere faren for alvorlig personskade, IKKE berør de skarpe punktene på bladet med fingrer eller hender når du utfører vedlikehold. IKKE bruk smøremidler eller rengjøringsmidler (spesielt spray eller aerosol) i nærheten av plast-beskyttelsen. Materialet av polykarbonat som brukes i beskyttelsen vil angripes av visse kjemikalier.

- ◆ Alle lagre er forseglede. De er smurt for hele levetiden og trenger ikke vedlikehold.
- ◆ Regelmessig rengjør alt støv og treflis fra rundt OG UNDER bunnplaten og det roterende bordet. Selv om det finnes spor for å la rusk slippe igjennom, vil det likevel samle seg støv.

- ◆ Børstene er designet for å vare i mange arbeidsår. Dersom de noengang må skiftes, send verktøyet til et servicesenter for reparasjon.

Feilsøking

Problem	Mulig årsak	Løsning
Sagen starter ikke.	Batteriet er ikke installert.	Installerer batteri. Se Installere og ta av batteripakke.
	Batteriet er ikke ladet.	Lade batteriet. Se Ladeprosedyre.
	Børstene er utslitt	Få børstene skiftet på et autorisert servicesenter.
Sagen gir dårlige kutt.	Sløvt blad.	Skift ut bladet. Se Skifte eller sette på et nytt sagblad.
	Bladet er monterert feil vei.	Snu bladet. Se Skifte eller sette på et nytt sagblad.
	Gummi eller harpiks på bladet.	Ta av bladet og rengjør med grov stålull og white spirit eller kornfrynsemiddel.
	Feil blad for arbeidet som skal gjøres.	Bytt bladtype.
Arbeidslampen blinker.	Batteriet er ikke ladet	Lade batteriet. Se Ladeprosedyre.
Maskinen vibrerer for mye.	Sagen er ikke montert fast på et stativ eller en arbeidsbenk.	Stram alt monteringsutstyr (skruer). Se Montering på arbeidsbenk
	Stativ eller arbeidsbenk på et ujevnt gulv.	Flytt til et flatt, jevnt underlag.
	Skadet sagblad.	Skift ut bladet. Se Skifte eller sette på et nytt sagblad.
Kan ikke utføre nøyaktige gjæringskutt.	Gjæringskalaen er ikke korrekt justert.	Kontroller og juster. Se Justering av gjæringskala under Justeringer.
	Bladet er ikke vinkelrett på anlegget.	Kontroller og juster. Se Justering av gjæringskala under Justeringer.
	Bladet er ikke vinkelrett på bordet.	Kontroller og juster anlegget. Se Justering av skråvinkel normalt mot bordet under Justeringer.
	Arbeidsstykket beveger seg	Skru arbeidsstykket godt fast mot anlegget, eller lim fast sandpapir nr. 120 til anlegget med gummilim.
	Snittplaten er slitt eller skadet.	Lever den på et autorisert serviceverksted.
Materialet klemmer bladet.	Kapping av bøyd materiale.	Se Bøyd materiale under Spesialkutt.

Beskyttelse av miljøet



Separat avfallshåndtering. Produkter og batterier som er merket med dette symbolet skal ikke kastes sammen med vanlig husholdningsavfall.

Produkter og batterier inneholder materialer som kan gjenbrukes eller gjenvinnes for å redusere behovet for nye råmaterialer. Vennligst lever elektrisk utstyr og batterier til gjenbruk i henhold til lokale retningslinjer. Mer informasjon finner du på www.2helpU.com

Tekniske data

SFMCS701 (H1)			
Spenning	V		18
Hastighet	/min		3 800
Blad ytre diameter	mm		190
Hulldiameter	mm		16
Blad maks snittbredde	mm		1,8
Vekt uten batteri	kg		10
Bladykkelse	mm		1,0
Gjæring (maks. posisjoner)	°		47
Skråstilling (maks. posisjoner)	°		47
0 grader gjæring	horizontal	mm	50 x 216
	vertikal	mm	90 x 15
45 grader gjæring høyre	horizontal	mm	50 x 152
	vertikal	mm	90 x 15
45 grader gjæring venstre	horizontal	mm	50 x 152
	vertikal	mm	90 x 15
45 grader skråvinkel venstre	horizontal	mm	50 x 152
	vertikal	mm	50 x 15

Batteri		SFMCSB201	SFMCSB202	SFMCSB204	SFMCSB206
Spennings	V _{DC}	18	18	18	18
Kapasitet	Ah	1,5	2,0	4,0	6,0
Type		Li-ion	Li-ion	Li-ion	Li-ion

Lader		SFMCSB11	SFMCSB12	SFMCSB14
Inngangsspenning	V _{AC}	230	230	230
Utgangsspenning	V _{DC}	18	18	18
Strøm	A	1,25	2	4

Lydtrykknivå i henhold til EN 62841:	
L _{pa} (lydrykk)	83,0 dB(A), usikkerhet (K) 3 dB(A)
L _{wr} (lydefekt)	94,5 dB(A), usikkerhet (K) 3 dB(A)

EU-samsvarserklæring

MASKINERIDIREKTIV



SFMCS701 Gjæringssag m. glidende skjærehode

Stanley Europe erklærer at de produktene som er beskrevet under "tekniske data" er i samsvar med:
EN62841-1:2015, EN62841-3-9:2015+A11:2017

Disse produktene er også i samsvar med direktiv 2006/42/EC, 2014/30/EU and 2011/65/EU.

For mer informasjon, vennligst kontakt STANLEY FATMAX på følgende adresser eller se baksiden av håndboken.

Undertegnede er ansvarlig for sammenstillingen av den tekniske filen og fremsetter denne erklæringen på vegne av STANLEY FATMAX.

Ed Higgins
Director – Consumer Power Tools
Stanley Europe, Egide Walschaertsstraat14-18,
2800 Tessenenderlo, Belgia
08/05/2020

Garanti

Stanley Europe er trygg på kvaliteten av produktene sine og tilbyr en 12 måneders garanti fra kjøpsdata. Denne garantien er et tillegg og endrer ikke dine rettigheter i henhold til loven. Garantien er gyldig innen områdene tilhørende medlemslandene i den Europeiske Union (EU) og det Europeiske Frihandelsområdet (EFTA).

For å ta garantien i bruk må kravet være i samsvar med kjøpsbetingelsene fra STANLEY FATMAX og du må vise kjøpskvittering til forhandleren eller til et autorisert serviceverksted. Betingelsene for Stanley Europes 1-års garanti og adressen til din nærmeste autoriserte serviceverksted kan du finne på Internett under www.2helpU.com, eller ved å kontakte ditt lokale Stanley Europe-kontor, adressen er angitt i denne bruksanvisningen.

Besøk våre nettsider på www.stanley.eu/3 for å registrere ditt nye STANLEY FATMAX-produkt og for å få informasjon om nye produkter og spesialtilbud.

Tilsigtet anvendelse

Din kombinerede, forskydelige geringssav fra STANLEY FATMAX SFMCS701 er kun beregnet til savning i træ, plastik og ikke-jernholdigt metal. Dette værktøj er beregnet til erhvervsmæssige brugere og private ikke-erhvervsmæssige brugere.

Sikkerhedsinstruktioner

Generelle sikkerhedsadvarsler for elektrisk værktøj



Advarsel! Læs alle sikkerhedsadvarsler, instruktioner, illustrationer og specifikationer, der følger med dette elværktøj. Manglende overholdelse af de advarsler og instruktioner, der er anført nedenfor, kan medføre elektrisk stød, brand og/eller alvorlig personskade.

Gem alle advarsler og instruktioner

for fremtidig reference. Termen "elværktøj" i advarslerne refererer til dit elektroniske (ledning) eller batteribetjente (trådløse) elværktøj.

1. Sikkerhed i arbejdsområdet

- Hold arbejdsområdet rent og ordentligt oplyst.** Rodede eller mørke områder giver anledning til ulykker.
- Brug ikke elværktøj i eksplosive omgivelser, f.eks. hvor der er brændbare væsker, gasser eller støv.** Elværktøj danner gnister, der kan antænde støv eller dampe.
- Hold børn og omkringstående på afstand, når der arbejdes med elværktøj.** Distractioner kan medføre, at du mister kontrollen.

2. El-sikkerhed

- Elværktøjets stik skal passe til kontakten. Stikket må aldrig modificeres på nogen måde. Undlad at bruge adapterstik sammen med (jordforbundet) elektrisk værktøj.** Umodificerede stik og dertil passende stikkontakter reducerer risikoen for elektrisk stød.
- Undgå kropskontakt med jordforbundne overflader som f.eks. rør, radiatorer, komfurer og køleskabe.** Der er øget risiko for elektrisk stød, hvis din krop er jordforbundet.
- Udsæt ikke elværktøj for regn, og brug det ikke, hvor omgivelserne er våde.** Hvis der trænger vand ind i et elektrisk værktøj, øges risikoen for elektrisk stød.
- Pas på, at ledningen ikke beskadiges. Brug aldrig ledningen til at bære, trække værktøjet eller trække det ud af stikkontakten. Hold ledningen borte fra varme, olie, skarpe kanter og bevægelige dele.** Beskadigede eller sammenfildrede ledninger øger risikoen for elektrisk stød.

- Hvis elværktøj benyttes i det fri, skal der benyttes en forlængerledning, som er godkendt til udendørs brug.** Brug af en ledning, der er egnet til udendørs brug, reducerer risikoen for elektrisk stød.
- Brug en strømkilde med fejlstrømsrelæ, hvis det er nødvendigt at anvende elværktøj på fugtige steder.** Ved at benytte en fejlstrømsafbryder reduceres risikoen for elektrisk stød.

3. Personssikkerhed

- Vær opmærksom, hold øje med, hvad du laver, og brug elværktøjet fornuftigt. Betjen ikke værktøjet, hvis du er træt, påvirket af narkotika, alkohol eller medicin.** Et øjeblik uopmærksomhed under anvendelse af et elektrisk værktøj kan forårsage alvorlig personskade.
 - Brug personligt beskyttelsesudstyr. Bær altid beskyttelsesbriller.** Sikkerhedsudstyr, såsom støvmaske, skridsikre sikkerhedssko, sikkerhedshjelm eller høreværn, brugt når omstændighederne foreskriver det, reducerer omfanget af personskader.
 - Træf forholdsregler, så tilsigtet start ikke er mulig. Kontrollér, at afbryderkontakten står på slukket, inden værktøjet tilsluttes strømkilden og/eller batteriet, samles op eller bæres.** Når elektrisk værktøj bæres med fingeren på kontakten eller tilsluttes, når kontakten er tændt, giver det anledning til ulykker.
 - Fjern indstillingsværktøj eller skruenøgle, inden elværktøjet startes.** En skruenøgle eller anden nøgle, der bliver siddende på en roterende del af elektrisk værktøj, kan give anledning til personskade.
 - Stræk dig ikke for langt. Hold hele tiden en god fodstilling og balance.** Dette giver bedre kontrol af det elektriske værktøj, når uventede situationer opstår.
 - Brug egnet arbejdstøj. Bær ikke løst tøj eller smykker. Hold dit hår, tøj og handsker væk fra bevægelige dele.** Løstsiddende tøj, smykker eller langt hår kan blive fanget i bevægelige dele.
 - Hvis der kan monteres støvudsugnings- og opsamlingsudstyr, skal dette tilsluttes og benyttes korrekt.** Anvendelse af støvopsamlingsudstyr kan begrænse farer forårsaget af støv.
 - Lad ikke kendskab fra hyppig brug af værktøjer gøre dig uforsigtig og få dig til at ignorere principperne for værktøjssikkerhed.** En skødesløs handling kan forårsage alvorlig skade i en brøkdæl af et sekund.
- Brug og pleje af elektrisk værktøj**
 - Overbelast ikke elværktøjet. Brug det værktøj, der er bedst egnet til det arbejde, der skal udføres.** Værktøjet vil klare opgaven bedre og mere sikkert med den ydelse, som det er beregnet til.
 - Brug ikke elværktøjet, hvis afbryderkontakten er defekt.**

- Alt elektrisk værktøj, der ikke kan kontrolleres med kontakten, er farligt og skal repareres.
- c. **Træk stikket ud af stikkontakten og/eller batteriet inden indstilling, tilbehørsudskiftning eller opbevaring af elværktøjet.** Sådanne forebyggende sikkerhedsforanstaltninger mindsker risikoen for, at værktøjet startes utilsigtet.
 - d. **Opbevar ubenyttet elværktøj uden for børns rækkevidde.** Lad aldrig personer, der ikke er fortrolige med elværktøjet, eller som ikke har læst denne vejledning, benytte maskinen. El-værktøj er farligt i hænderne på personer, som ikke er instrueret i brugen deraf.
 - e. **Vedligehold elektrisk værktøj og tilbehør. Undersøg om bevægelige dele sidder skævt, binder eller er gået itu såvel som andre forhold, der kan påvirke betjeningen af elektriske værktøjer. Hvis det elektriske værktøj er beskadiget, skal det repareres før brug.** Mange ulykker er forårsaget af dårligt vedligeholdt værktøj.
 - f. **Hold skæreværktøj skarpt og rent.** Ordentligt vedligeholdt skæreværktøj med skarpe skærekanter har mindre tilbøjelighed til at binde og er lettere at styre.
 - g. **Brug elværktøjet, tilbehøret, indsatsværktøj osv. i overensstemmelse med disse instruktioner under hensyntagen til arbejdsforholdene og arbejdet, der skal udføres med værktøjet.** Brug af elektrisk værktøj til andre opgaver end dem, det er beregnet til, kan resultere i en farlig situation.
 - h. **Hold håndtag og gribeblader tørre, rene og fri for olie og fedt.** Glatte håndtag og fedtede overflader giver ikke mulighed for sikker håndtering og styring af værktøjet i uventede situationer.
5. **Brug og pleje af batteriværktøj**
 - a. **Genoplad kun med den oplader, som producenten har angivet.** En oplader, der passer til en type batteripakke, kan udgøre en risiko for brand, når den bruges til en anden type.
 - b. **Elværktøj må kun bruges med batteripakker, der er beregnet hertil.** Brugen af andre batteripakker kan medføre personskaade og brand.
 - c. **Når batteripakken ikke er i brug, skal den holdes på afstand af andre metalgenstande, f.eks. papirclips, mønter, nøgler, søm, skruer og andre små metalgenstande, som kan skabe forbindelse mellem de to poler.** Kortslutning af batteriet kan forårsage forbrændinger eller brand.
 - d. **Under grove forhold kan væske sive ud fra batteriet; undgå kontakt. Hvis der opstår kontakt ved et uheld, skyl med vand. Hvis væske kommer ind i øjnene, søg omgående lægehjælp.** Væske, der siver ud fra batteriet, kan fremkalde irritationer eller forbrændinger.
 - e. **Anvend ikke en batteripakke eller et værktøj, der er beskadiget eller ændret.** Beskadigede eller ændrede batterier kan udvise uforudsigelig adfærd og resultere i brand, eksplosion eller risiko for skader.
 - f. **Udsæt ikke en batteripakke eller et værktøj for ild eller meget varme temperaturer.** Udsættelse for ild eller temperaturer over 130 °C kan medføre en eksplosion.
 - g. **Følg alle opladningsinstruktionerne og oplad ikke batteripakken eller værktøjet uden for det temperaturområde, der er anført i instruktionerne.** Forkert opladning eller opladning ved temperaturer uden for det specificerede område kan beskadige batteriet og øge risikoen for brand.
 6. **Service**
 - a. **Lad kun kvalificerede fagfolk reparere elværktøjet og benyt kun originale reservedele.** Derved sikres det, at værktøjets driftssikkerhed opretholdes.
 - b. **Udfør aldrig service på beskadigede batteripakker.** Service på batteripakker bør kun udføres af producenten eller autoriserede serviceudbydere.

Sikkerhedsinstruktioner for geringsssave

- ◆ **Geringsssave er beregnede til at skære i træ eller trælignende produkter, de kan ikke bruges med slibende skæreskiver til skæring af jernholdige materialer såsom stænger, stolper osv.** Slibestøv får bevægelige dele såsom den nederste afskærmning til at blokere. Gnister fra slibeskæring vil brænde den nederste afskærmning, savsnitindsatsen og andre plastikdele.
- ◆ **Brug klemmer til at understøtte arbejdsemnet, når det er muligt. Hvis du understøtter arbejdsemnet med hånden, skal du altid holde din hånd i en afstand af mindst 100 mm fra begge sider af savklingen. Brug ikke denne sav til at skære stykker, som er for små til, at de kan fastgøres eller holdes med hånden.** Hvis din hånd er placeret for tæt på savklingen, er der en øget risiko for skader fra kontakt med klingens.
- ◆ **Arbejdsemnet skal være stationært og fastspændt eller holdt imod både anslaget og bordet. Før ikke arbejdsemnet ind i klingens eller skær "frihånd" på nogen måde.** Ikke fastspændte eller bevægelige arbejdsemner kan blive kastet ved høje hastigheder og forvolde skade.
- ◆ **Skub saven gennem arbejdsemnet. Træk ikke savens gennem arbejdsemnet. Du laver et snit ved at hæve savhovedet og trække det ud over arbejdsemnet uden at skære, start motoren, tryk på savhovedet ned og skub saven gennem arbejdsemnet.** Skæring med trækslag kan forårsage, at savklingen arbejder sig op på toppen af arbejdsemnet og voldsomt kaster klingesamlingen mod operatøren.

- ◆ **Kryds aldrig din hånd over den tilsigtede skærelinje enten foran eller bagved savklingen.** Understøttelse af arbejdsmøntet "krydshåndet", dvs. at holde arbejdsmøntet til højre for savklingen med din venstre hånd eller omvendt er meget farligt.
- ◆ **Ræk ikke bagved anslaget med hænderne tættere end 100 mm fra begge sider af savklingen for at fjerne affaldstræ eller af anden årsag, mens klingens roterer.** Det kan være svært at vurdere afstanden fra den roterende savklinge til din hånd, og du kan komme alvorligt til skade.
- ◆ **Inspicér dit arbejdsmønt før skæring.** Hvis arbejdsmøntet er bøjet eller er skævt, klem det med den udvendige side vendt imod anslaget. **Kontroller altid, at der ikke er et mellemrum mellem arbejdsmøntet, anslaget og bordets lands med skærelinjen.** Bøjede eller skæve arbejdsmønter kan vride eller flytte sig og kan sætte sig fast på den roterende savklinge under skæring. Der bør ikke være søm eller fremmedobjekter i arbejdsmøntet.
- ◆ **Brug ikke saven, før bordet er fri for alle værktøjer, træresten osv. bortset fra arbejdsmøntet.** Små rester eller løse træstykker eller andre genstande, der kommer i kontakt med den roterende klinge kan blive kastet med høj hastighed.
- ◆ **Skær kun et arbejdsmønt ad gangen.** Stabler med flere arbejdsmønter kan ikke klemmes eller afstives tilstrækkeligt og kan sætte sig fast på klingens under skæring.
- ◆ **Kontroller at geringssaven monteres eller placeres på en jævn, fast arbejdsflade før brug.** En stabil og fast arbejdsflade nedsætter risikoen for, at saven bliver ustabil.
- ◆ **Planlæg dit arbejde.** Hver gang du ændrer indstilling af smig- eller geringsvinkel, skal du sørge for at det indstillede anslag er indstillet korrekt til at understøtte arbejdsmøntet, og at det ikke vil forstyrre klingens eller afskærmningssystemet. Uden at dreje værktøjet "ON" og uden arbejdsmønt på bordet, flyt savklingen gennem et simuleret snit for at sikre, at der vil være nogen forstyrrelser eller fare for at skære anslaget.
- ◆ **Sørg for passende understøtning som f.eks. bordforlængere, savbukke osv. til et arbejdsmønt, som er bredere eller længere end bordpladen.** Arbejdsmønter, der er længere eller bredere end geringssavbordet kan tippe, hvis de ikke er tilstrækkeligt understøttede. Hvis det afskærne stykke eller arbejdsmøntet tipper, kan det løfte den nederste afskærmning eller blive kastet af den roterende klinge.
- ◆ **Brug ikke en anden person som en erstatning for en bordforlænger eller som ekstra understøtning.**

En ustabil understøtning af arbejdsmøntet kan medføre, at klingens binder, eller at arbejdsmøntet flytter sig under skæringen og trækker dig og din hjælper ind i den roterende klinge.

- ◆ **Det afskærne stykke må ikke klemmes eller presses på nogen måde imod den roterende savklinge.** Hvis fastholdt dvs. ved hjælp af længdestop, kan det afskærne stykke blive kilet imod klingens og kastet ud med voldsom kraft.
- ◆ **Brug altid en klemme eller et armatur beregnet til korrekt understøtning af runde materialer såsom stænger eller rør.** Stænger har en tendens til at rulle under skæring, hvilket får klingens til at "bide" og trække arbejdsmøntet sammen med din hånd ind i klingen.
- ◆ **Lad klingens opnå fuld hastighed, før den får kontakt med arbejdsmøntet.** Dette vil nedsætte risikoen for, at arbejdsmøntet kastes af.
- ◆ **Hvis arbejdsmøntet eller klingens sidder fast, sluk for geringssaven. Vent indtil alle bevægelige dele er standst, tag derefter stikket ud af stikkontaktene/eller fjern batteripakken. Tag derefter det fastklemte materiale ud.** Fortsat savning med et fastklemmt arbejdsmønt kan medføre tab af kontrol eller skade på geringssaven.
- ◆ **Når snittet er færdigt, sluk for kontakten, hold savhovedet nedad og vent, indtil klingens stopper, før det afskærne stykke fjernes.** Det kan være farligt at have hånden tæt ved klingens med efterløb.

Yderligere sikkerhedsvejledninger for geringssaven

- ◆ Den tilsigtede anvendelse er beskrevet i denne betjeningsvejledning. Brug af ekstraudstyr eller tilbehør eller udførelse af andre opgaver med dette værktøj end de, der anbefales i denne vejledning, kan medføre risiko for personskade og/eller materiel skade.
- ◆ Brug ikke revnede/bøjede/beskadigede/deformerede savklinger.
- ◆ Udskift savsnitpladen hvis den er slidt.
- ◆ Anvend ikke klinger med længere eller mindre diameter end anbefalet. For korrekt vurdering af klinger, se de tekniske data. Brug kun de klinger, der er angivet i denne manual, der opfylder EN 847-1.
- ◆ Brug ikke savklinger af hurtigstål (HS-stål).



Advarsel! Berøring af eller indånding af støvpartikler fra savarbejder kan udgøre en fare for både brugerens og eventuelle tilskuers helbred. Bær en støvmaske, der er specielt beregnet til beskyttelse mod støv og røg, og sørg for, at personer på eller på vej ind i arbejdsområdet også er beskyttet.

- ◆ Arbejd ikke med materiale, der indeholder asbest. Asbest kan være kræftfremkaldende.
- ◆ Bær handsker ved håndtering af savklinger og ru materialer (savklinger bør opbevares i en holder, hvor det er muligt).
- ◆ Bær høreværn for at reducere risikoen for påført høretab.
- ◆ Brug evt. specialudviklede støjreducerende savblade.
- ◆ Bær øjebeskyttelse for at reducere risikoen for personskade.
- ◆ Brug den medfølgende støvpose ved savning i træ.
- ◆ **Hold kun fast i elværktøjet ved hjælp af de isolerede håndtagsflader, når der skal saves i emner, hvor skæreværktøjet kan berøre skjulte ledninger eller sit eget kabel.** Hvis skæretilbehøret rammer en strømførende ledning, bliver elværktøjets blottagte dele strømførende, så brugeren får stød
- ◆ Vælg den korrekte klinge til det materiale, der skal skæres.
- ◆ Brug ikke maskinen uden påmonteret skjold. Brug ikke maskinen, hvis skjoldet ikke fungerer eller ikke er korrekt vedligeholdt.
- ◆ Sørg for at armen er sikkert fastgjort ved udførelse af smigskæringer.
- ◆ Før hvert savsnit skal det kontrolleres, at maskinen er stabil.
- ◆ Sørg for, at håndtagene er tørre, rene og fri for olie og fedt.
- ◆ Hold området omkring maskinen ryddeligt og frit for løst materiale som f.eks. spåner og afsavede stykker.
- ◆ Sørg for, at maskinen og arbejdsområdet har tilstrækkeligt generelt eller lokalt lys.
- ◆ Lad ikke uerfarne personer betjene maskinen.
- ◆ Kontroller, at savbladet er monteret korrekt før brug. Sørg for at klingens roterer i den korrekte retning. Hold klingens skarp. Følg vejledningen vedrørende smøring og udskiftning af tilbehør.
- ◆ Kontrollér, at den afmærkede hastighed på savklingen mindst svarer til den hastighed, der er afmærket på klassificeringsklingen.
- ◆ Sørg for at alle anvendte afstandsskiver og spindelringe passer til formålet som angivet af STANLEY FATMAX.
- ◆ Reparation af skærelinjestyresystemet skal udføres af autoriserede værksteder eller af et STANLEY FATMAX-værksted.
- ◆ Fjern batteriet fra maskinen, før du udfører vedligeholdelse eller udskifter klingens.
- ◆ Rengør og vedligehold ikke maskinen, og fjern ikke afsavede stumper eller andre dele af arbejdsemnet fra saveområdet, når maskinen kører, og savhovedet ikke er i hvilestilling.
- ◆ Hvis muligt monter altid maskinen på en bænk.
- ◆ Kontroller, at alle låseknapper og greb er spændt, før arbejdet påbegyndes.
- ◆ Brug aldrig saven uden bordindsatsen.
- ◆ Forsøg aldrig at stoppe maskinen hurtigt, mens den kører, ved at blokere savbladet med et værktøj eller andet; det kan forårsage alvorlige ulykker.
- ◆ Læs brugervejledningen før anvendelse eller montering af tilbehør. Ukorrekt anvendelse af tilbehør kan medføre skader.
- ◆ Hæv klingens fra bordindsatsen i arbejdsemnet, før afbryderkontakten slippes.
- ◆ Fastkil ikke noget imod blæseren for at holde motorakslen.
- ◆ Klingens beskyttelsesskærm på din sav vil automatisk blive hævet, når armen føres nedad; den vil blive sænket over hele klingens, når armen hæves. Beskyttelsesskærmen kan hæves manuelt ved af- eller påmontering af savklinger eller ved inspektion af savens. Hæv aldrig skjoldet manuelt, medmindre der er slukket for maskinen.
- ◆ Kontrollér med jævne mellemrum, at motorens ventilationshuller er rene og fri for skår.
- ◆ Gør ikke advarselsskiltene på elværktøjet ulæselige.
- ◆ Stå ikke på elværktøjet. Der kan opstå alvorlig tilskadekomst, hvis elværktøjet vælter eller ved kontakt med savbladet.
- ◆ Rør ikke ved savbladet efter arbejde, før det er kølet af. Savbladet bliver meget varmt under arbejde.
- ◆ For at undgå tilskadekomst forårsaget af materialer, der kastes ud, skal savens batteri tages ud af saven for at undgå utilsigtet start, før mindre dele fjernes.
- ◆ Savbladets skjold skal kontrolleres for korrekt funktion før brug og efter vedligeholdelse. Denne test skal udføres, mens saven er slukket og batteriet er taget ud. Armen skal hæves og sænkes, for at sikre, at skjoldet dækker klingens, og at klingens ikke rører ved skjoldet. Få elværktøjet serviceet af et kvalificeret værksted, hvis skjoldet ikke fungerer korrekt. Kontakt STANLEY FATMAX' kundeservice for at få oplyst nærmeste serviceværksted.
- ◆ **Denne gerings sav er kun beregnet til savning i træ, plastik og ikke-jernholdigt metal.** Anvend ikke saven til at skære i andre materialer end dem, der anbefales af producenten.
- ◆ Rør ikke ved savbladet efter arbejde, før det er kølet af. Savbladet bliver meget varmt under arbejde.



Advarsel! Skæring i plastik, saftigt træ og andre materialer kan forårsage, at smeltede materialer akkumuleres på klingspidserne og selve savklingen, hvilket øger risikoen for, at klingens bliver overophedet og binder under skæring.

Andres sikkerhed

- ◆ Denne oplader kan bruges af børn i en alder fra 8 år og derover og personer med nedsatte fysiske, sensoriske eller mentale evner eller manglende erfaring og viden, hvis det sker under overvågning, eller de vejledes i brugen af apparatet på en sikker måde, og de forstår de farer, som er forbundet dermed.
- ◆ Børn må ikke lege med apparatet. Rengøring og brugervedligeholdelse må ikke foretages af børn uden opsyn.

Restrisici

De følgende risici er uløseligt forbundet med brugen af save: Selv ved overholdelse af relevante sikkerhedsforskrifter og anvendelse af sikkerhedsudstyr kan visse resterende risici ikke undgås. Disse omfatter:

- ◆ Tilskadekomst forårsaget af berøring af roterende/ bevægelige dele.
- ◆ Hørenedsættelse.
- ◆ Risiko for uheld forårsaget af udklækkede dele af det roterende savblad.
- ◆ Risiko for tilskadekomst ved udskiftning af dele, klinger eller tilbehør.
- ◆ Risiko for at klemme fingre ved åbning af beskyttelsesskærme.
- ◆ Sundhedsrisici forårsaget af indånding af det støv, der udvikles ved savning i træ, især eg, bøg og MDF.
- ◆ Tilskadekomster forårsaget af langvarig brug af et værktøj. Når du bruger et værktøj i længere perioder, skal du sørge for at holde regelmæssige pauser.

Støj

De angivne støjemissionsværdier er målt iht. standardtestmetoden og kan bruges til at sammenligne ét værktøj med et andet.

De angivne støjemissionsværdier kan også anvendes i en foreløbig vurdering af eksponeringen.

Advarsel! Støjemissionerne ved faktisk brug af elværktøjet kan afvige fra de angivne værdier afhængig af måden, værktøjet anvendes på, især hvilken slags arbejdsemne, der behandles.

Advarsel! Bær altid høreværn. Under nogle forhold og varigheden af brug, kan støj fra dette produkt give høretab. Vær opmærksom på de følgende faktorer, som har indflydelse på udsættelse for støj:

- ◆ Brug savklinger, der er designet til at reducere støjstråling,
- ◆ Brug kun godt slebne savklinger og
- ◆ Brug specielt designede støjreduktionsavklinger.

Mærkatet på værktøjet

De følgende piktogrammer såvel som datokoden vises på værktøjet:



Advarsel! For at reducere risikoen for personskade bør du læse betjeningsvejledningen.



Bær sikkerhedsbriller eller beskyttelsesbriller



Bær høreværn



Bær en støvmaske



Dette produkt må ikke bruges af børn under 16 år



Hold hænderne væk fra klingens



Håndfrit område – hold fingre og arme væk fra roterende klinger



Bær handsker ved håndtering af savblade



Kig ikke ind i lampen, når den er tændt

Yderligere sikkerhedsvejledninger for batterier og ladere

Advarsel! Apparaten må kun bruges med den medfølgende strømforsyningsenhed.

Bemærk: Værktøjets driftstemperaturområde er anbefalet til 4 °C til 40 °C.

Batterier

- ◆ Forsøg aldrig at åbne den af en eller anden grund.
- ◆ Batteriet må ikke udsættes for fugt.
- ◆ Må ikke opbevares på steder, hvor temperaturen kan overstige 40 °C.
- ◆ Oplad kun ved omgivelsestemperaturer på mellem 10 °C og 40 °C.
- ◆ Oplad kun ved hjælp af den medfølgende lader.
- ◆ Følg ved bortskaffelse af batterier vejledningen i afsnittet "Miljø".



Forsøg ikke at oplade beskadigede batterier.

Opladere

- ◆ Brug kun din Stanley FatMax-lader til at oplade batteriet i det værktøj, som den blev leveret sammen med. Andre batterier kan eksplodere og forårsage personskade og materiel skade.
- ◆ **Forsøg aldrig at oplade ikke-genopladelige batterier.**
- ◆ **Udskift straks defekte ledninger.**
- ◆ Laderen må ikke udsættes for fugt.
- ◆ Laderen må ikke åbnes.
- ◆ Undersøg ikke laderen.



Laderen er kun beregnet til indendørs brug.



Læs brugervejledningen, før værktøjet tages i brug.

El-sikkerhed



Opladeren er dobbelt isoleret. Derfor er en jordledning ikke nødvendig. Kontroller altid, at netspændingen svarer til spændingen på typeskiltet. Forsøg aldrig at erstatte opladerenheden med et almindeligt netstik.

- ◆ Hvis forsyningsledningen beskadiges, skal den udskiftes af producenten eller et Stanley FatMax-værksted, så farlige situationer undgås.

Funktioner

Dette værktøj indeholder nogle eller alle funktioner.

1. Udløserkontakt
2. Driftshåndtag
3. Monteringshuller
4. Nederste beskyttelsesskærm
5. Geringsslåseknop
6. Geringslåseknop
7. Savsnitsplade
8. Geringsskala
9. Geringsskalaindikator
10. Bæregreb
11. Anslag
12. Låsegreb til smigsnit
13. Skinner
- 13a. Velcro-strop
14. Støvåbning
15. Batteripakke
16. Arbejdslyskontakt
17. Spæringskontakt
18. Skinnelåseskrue
19. Holdermonteringshuller
20. Låsestift

Samling (fig. A)

Den geringssav er delvist samlet i kartonen.

- ◆ Åbn kassen og løft saven ud ved hjælp af bæregrebene (10) i bunden af saven (fig. A).
- ◆ Anbring saven på en jævn, flad overflade som f.eks. en værktøjsbænk eller et kraftigt bord.
- ◆ Undersøg monteringsdiagrammet på side 2 i denne vejledning for at gøre dig bekendt med saven og dens forskellige dele. Afsnittet om justeringer vil henvise til disse betegnelser, og du skal vide, hvad og hvor delene er.
- ◆ Geringsslåseknappen (5) er ikke monteret ved forsendelse.

Fjern geringsslåseknappen (5) fra emballagen og skru den på saven. Se figur G og J for position.

- ◆ Din sav har en indbygget støvåbning (14), der enten giver mulighed for tilslutning af den medfølgende, men ikke monterede, støvpose (35) eller et støvsugersystem (fig. N).

Savsnitsplade (fig. J)

Savsnitspladen (7) er monteret på tabellen med 6 skruer. Højden af savsnitspladen (7) kan ikke justeres.

Bemærk: Hvis savsnitspladen (7) er slidt, beskadiget eller skal udskiftes, skal reparationer udføres af autoriserede værksteder eller STANLEY FATMAX servicepersonale.

Låsestift (fig. F)

Advarsel! Låsestiften må KUN bruges under transport af eller under opbevaring af saven. Brug ALDRIG låsestiften til nogen savning.

Bemærk: Brug de to bærehåndtag (10), der er placeret på begge sider af geringssavens fundament (fig. A), til at løfte, bære og understøtte geringssaven under transport. Du låser savhovedet i nedadvendt position ved at skubbe savhovedet nedad, skubbe låsestiften (20) ind og udløse savhovedet. Dette vil holde savhovedet sikkert nede for transport af saven fra et sted til et andet. Du udløser ved at trykke savhovedet nedad og trække stiften ud.

Advarsel! Sørg altid for, at værktøjet er slukket, og at batteriet er taget ud af værktøjet, før værktøjets funktion justeres eller kontrolleres.

Opladning af et batteri (fig. B)

Batteriet skal oplades inden ibrugtagningen, og når det ikke leverer strøm nok til opgaver, der tidligere kunne udføres ubesværet. Batteriet kan blive varmt under opladningen. Det er normalt og ikke tegn på problemer.

Advarsel! Oplad ikke batteriet ved omgivende temperaturer på under 10 °C eller over 40 °C. Den anbefalede opladningstemperatur er ca. 24 °C.

Bemærk: Opladeren oplader ikke et batteri, hvis dets temperatur er under ca. 10 °C eller over 40 °C.

Batteriet bør blive siddende i laderen, som automatisk begynder opladningen, når batteriet opvarmes/afkøles.

Bemærk: For at sikre maksimal ydeevne og levetid for li-ion batteripakker skal batteripakken lades helt op, før den anvendes første gang.

- ◆ Indsæt opladeren (21) i en passende udgang, før batteripakken (15) indsættes.
- ◆ Den grønne opladningslampe (21a) vil blinke hele tiden og angive, at opladningsprocessen er startet.
- ◆ Når opladningen er færdig, vil det blive angivet af den grønne opladningslampe (21a), som vil lyse konstant på ON.

Batteripakken (15) er fuldt opladet og kan nu anvendes eller kan efterlades i opladeren (21).

- ◆ Afladene batterier bør oplades inden for 1 uge. Batteriet levetid reduceres kraftigt, hvis batteriet opbevares i afladet tilstand.

Tilstande af LED for opladning

	Oplader: Grøn LED Intermitterende	
	Helt opladet: Grøn LED Fast	
	Varm/kold pakkeforsinkelse: Grøn LED Intermitterende Rød LED Fast	

Bemærk: Kompatible oplader(e) vil ikke oplade en defekt batteripakke. Opladeren vil angive en defekt batteripakke ved at nægte at lyse.

Bemærk: Dette kan også betyde et problem med opladeren. Hvis opladeren angiver et problem, tag opladeren og batteripakken med hen til et autoriseret servicecenter for at blive kontrolleret.

Lad batteriet blive siddende i laderen

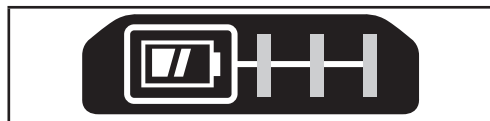
Du kan lade batteripakken sidde i laderen med tændt lysdiode, så længe det ønskes. Laderen holder batteripakken klar og fuldt opladet.

Varm/kold pakkeforsinkelse

Når opladeren registrerer et batteri, der er for varmt eller for koldt, starter den automatisk en Varm/kold pakkeforsinkelse, den grønne LED (21a) blinker intermitterende, mens den røde LED (21b) forbliver tændt kontinuerligt, og den venter med opladning, indtil batteriet har nået en passende temperatur. Opladeren skifter derefter automatisk til pakkeopladningsfunktion. Denne funktion sikrer maksimal batterilevetid.

Batteriets ladetilstandsindikator (fig. C)

Batteriet indeholder en ladetilstandsindikator for hurtigt at afgøre batterilevetidens omfang, som vist i figur B. Hvis du trykker på ladetilstandsknappen (15a), kan du nemt se den resterende opladning i batteriet, som illustreret i figur C.



Isætning og udtagning af batteriet (fig. D, E)

- ◆ Anbring batteriet (15) ud for værktøjets fatning for at isætte batteriet (22). Lad batteriet glide ind i fatningen, og skub, indtil batteriet går på plads.
- ◆ Tryk på udløserknappen (15b), og træk samtidigt batteriet ud af fatningen for at tage batteriet ud, som vist i figur E.

Udskiftning eller montering af en ny savklinge (fig. G, H, I)

Advarsel! For at mindske risikoen for alvorlige personskader, skal du slukke for værktøjet og tage batteriet ud, før du transporterer, foretager justeringer eller fjerner/installerer tilbehør. Start ved et uheld kan medføre skader.

Fjernelse af klingen

- ◆ Fjern batteripakken (15) fra saven.
- ◆ Hæv armen til den øverste position og hæv den nederste beskyttelsesskærm (4) så meget som muligt.
- ◆ Løsn, men fjern ikke den forreste skrue på afskærmningsbeslaget (24), før beslaget (25) kan hæves tilstrækkeligt, så der er adgang til klingskruen (26). Den nederste afskærmning vil forsat være hævet på grund af skruens position på afskærmningsbeslaget.
- ◆ Tryk spindellåseknappen (28) ned, mens savklingen (29) drejes forsigtigt, indtil låsen falder i hak.
- ◆ Hold knappen nede og brug den anden hånd og sekskantsiden af den leverede skruenøgle til at løsne klingskruen (26). (Drej venstre gevind med uret.)
- ◆ Fjern klingskruen (26) ved hjælp af sekskantsiden af den leverede skruenøgle, den udvendige klemeskive (30) og klinge (29). Den indvendige spændeskive (31) kan blive siddende på spindlen (32).

Installation af klinge

- ◆ Fjern batteripakken (15) fra saven.
- ◆ Med armen hævet, den nederste afskærmning (4) holdt åben, og afskærmningsbeslaget (25) hævet, anbring klingen (29) på spindlen (32) og mod den indvendige klingeholder (31) med tænderne på klingen pegende i rotationsretningen som markeret på saven.
- ◆ Saml den udvendige holdespændeskive (30) på spindlen (32).
- ◆ Installer klingskruen (26) og spænd, idet spindellåsen (28) aktiveres, skruen (26) godt fast med den leverede skruetrækker (drej venstre gevind mod uret).
- ◆ Returnér afskærmningsbeslaget (25) til dets originale helt nedad-position og spænd skruen på afskærmningsbeslaget (24) for at holde beslaget på plads.

Skærelinjestyresystem

Advarsel! Kig ikke ind i arbejdslyset. Der kan ske alvorlige øjenskader.

Bemærk: Batteriet skal oplades og tilsluttes til geringsaven.

Skærelinjestyresystemet kan kun slås til eller fra med arbejdslyskontakten (16).

Du skærer gennem en eksisterende blyantlinje på et stykke træ ved at tænde for skærelinjestyresystemet med arbejdslyskontakten (16) (ikke med hovedudløseren), og træk derefter ned på betjeningshåndtaget (2) for at bringe savklingen tæt til træet.

Klingens skygge vil blive vist på træet. Denne skyggelinje repræsenterer det materiale, som klingens vil fjerne under udførelse af et snit.

Du finder det korrekte snit til blyantlinjen ved at rette blyantlinjen ind efter kanten på klingens skygge. Husk at det kan være nødvendigt at justere gerings- eller smigvinklerne til nøjagtigt at matche blyantstregen.

Din sav er udstyret med en batteriføljefunktion. Arbejdslyset begynder at blinke, når batteriet er tæt ved at være afladet, eller når batteriet er for varmt. Oplad batteriet før du fortsætter med skæreeopgaverne. Se opladningsproceduren under Vigtige sikkerhedsinstruktioner for instruktioner om opladning af batterier.

Geringsregulering (fig. J)

Med geringslåseregret (5) og geringslåseknappen (6) kan du save i gering til 47° til højre og 47° til venstre.

Geringslåsen vil automatisk finde 0°, 15°, 22,5°, 31,6° og 45° såvel til venstre som til højre. For at gere saven skal du låse geringslåsemekanismen op ved at dreje geringslåseregret (5) mod uret for at låse den op og med uret for at låse. Træk geringlåseknappen (6) op, og indstil den ønskede geringsvinkel på geringsskalaen (8). Lås geringslåseregret (5) ved at dreje det med uret.

Smiglåseregret (fig. K)

Med smiglåsen kan du save i smig 48° til venstre. Du justerer smigindstillingen ved at dreje smiglåseregret (12) mod uret for at løsne den. Du spænder ved at dreje smiglåseregret med uret.

Forsigtig! Risiko for blokering. Sørg for at stramme låseregret til smigsnit før justering af tilsidesættelser.

Udløserkontakt (fig. L)

Du tænder for saven ved at skubbe låseregret (17) til venstre og derefter trykke på udløserkontakten (1). Saven vil køre, mens der trykkes på kontakten. Lad klingens komme op på fuld driftshastighed, før du starter. Tryk på udløserkontakten for at slå saven fra. Lad klingens stoppe før savhovedet hæves. Der findes ingen bestemmelser om at låse kontakten. Der er et hul (1a) i udløserkontakten til indsættelse af en lås til aflåsning af kontakten.

Din sav er ikke udstyret med en automatisk elektrisk klingebremse, men savklingen bør stoppe indenfor 5 sekunder efter udløseren er sluppet.

Denne er ikke justerbar. Hvis stoptiden gentagne gange overstiger 5 sekunder skal du få værktøjet servicecenter af et autoriseret Stanley FatMax servicecenter. Kontrollér altid at klingens er stoppet, før du fjerner den fra savsnittet.

Støvopsamling (fig. M)

Advarsel! For at mindske risikoen for alvorlige personskader, skal du slukke for værktøjet og tage batteriet ud, før du transporterer, foretager justeringer eller fjerner/installerer tilbehør. Start ved et uheld kan medføre skader. Din sav har en indbygget støvåbning (14), der enten giver mulighed for tilslutning af den medfølgende støvpose (35) eller et støvsugersystem.

Sådan fastgøres støvposen

- ◆ Tilpas støvposen (35) til støvåbningen (14) som vist i figur M.
- ◆ Der kan sættes et støvsugerrør (38 - medfølger ikke) på støvåbningen (14) i stedet for støvposen (35). Dette kan gøres ved at påmontere dit støvsugerrør (38) i stedet for støvposen (35), se figur M.
- ◆ Brug velcro-stroppen (13a) til at holde dit støvsugerrør (38) væk fra glideskinne (13), mens saven anvendes.

Bemærk: Velcro-stroppen (13a) er ikke et bærehåndtag og bør ikke bruges til at flytte eller transportere saven.

Sådan tømmes støvposen

- ◆ Fjern støvposen (35) fra saven, og ryst eller tryk forsigtigt på støvposen for at tømme den.
- ◆ Fastgør igen støvposen på støvåbningen (14).

Du vil måske bemærke, at ikke alt støv kommer fri af posen. Dette vil ikke påvirke skæreydelsen, men vil reducere effektiviteten af savens støvopsamling. Hvis du vil gendanne effektiviteten for din savs støvopsamling, skal du trykke på fjederen inde i støvposen, når du tømmer den og banke den på siden af skraldespanden eller støvbeholderen.

Advarsel! Betjen aldrig denne sav, med mindre en støvpose er på plads. Træstøv kan skabe fare for vejrtrækning.

Skæring med din sav

Hvis skubbefunktionen ikke anvendes, kontrollér at savhovedet er skubbet så langt tilbage som muligt, og at skinnelåseskruen (18) er strammet. Dette vil forhindre, at saven glider langs med skinnerne, når arbejdsemnet tilkøbles. **Bemærk: SKÆR IKKE JERNHOLDIGE METALLER ELLER MURVÆRK MED DENNE SAV (IKKE-JERNHOLDIGE METALLER KAN SKÆRES MED DENNE SAV).** Anvend ingen slibelameller.

Bemærk: Se Afskærmningens aktivering og sigtbarhed i afsnittet Justeringer for vigtige informationer om den nederste afskærmning før skæring.

Tværsnit (fig. N)

Et tværsnit laves ved at skære træ på tværs af åren i enhver vinkel. Et lige tværsnit laves med smigarmen ved en position på nul grader. Indstil og lås smigarmen ved nul, hold træet fast til bordet og imod anslaget. Med skinnelåseskruen (18) spændt, tænd for saven ved at trykke på udløserkontakt (1). Når saven kommer op i hastighed (ca. 1 sekund), sænk armen jævnt og sav langsomt gennem træet. Lad klingens komme til et fuldt stop, før armen hæves.

Når du skærer noget større end 2 x 4 (51 x 102), skal du bruge en ud-ned og tilbage-bevægelse med løstnet skinnelåseskrue (18). Træk saven ud imod dig, sænk savhovedet ned imod arbejdsemnet og skub langsomt saven tilbage for at afslutte snittet. Lad ikke savklingen komme i kontakt med det øverste af arbejdsemnet, når det trækkes ud. Saven kan køre imod dig og kan forårsage personskade eller beskadigelse af arbejdsemnet.

Advarsel! Brug altid en arbejdsklemme til at opretholde kontrol og reducere risikoen for beskadigelse af arbejdsemnet og personskade, hvis dine hænder skal være inden for 6" (152 mm) af klingens under snittet.

Bemærk! Skinnelåseskruen (18) skal være løs, så saven kan glide langs dens skinner.

Geringstværsnit laves med geringsarmen ved andre vinkler end nul.

Denne vinkel er tit 45° for savning af hjørner, men kan indstilles overalt fra nul til 47° venstre eller 47° højre. Lav snittet som beskrevet ovenfor.

Under udførelse af et snit på arbejdsemner, der er bredere end 2 x 6, og som er kortere i længden, anbring altid den længste side imod anslaget(O).

Når du skærer gennem en eksisterende blyantlinje på et stykke træ, sørg for at matche vinklen så tæt som muligt. Skær træet et lille stykke for langt og mål fra blyantlinjen til snitkanten for at fastlægge den retning, som geringsvinklen skal justeres efter og skær igen. Dette vil kræve nogen øvelse, men det er en almindelig anvendt teknik.

Smignisn

Et smignisn er et tværsnit lavet med savklingens hældning i en vinkel på træet. Du indstiller smig ved at løsne smiglåserebet (12), og flytte saven til venstre som ønsket. Når den ønskede smigvinkel er blevet indstillet, spænd smiglåsen godt fast. Smigvinkler kan indstilles fra 3° højre til 48° venstre.

Snitkvalitet

Ethvert snits jævnhed afhænger af en række variable. Ting som det materiale der skæres, klingetype, klingens skarphed og snithastighed bidrager alle til kvaliteten af snittet. Hvis du ønsker meget glatte snit til kantprofiler og andet præcisionsarbejde, vil en skarp (60-tandet hårdmetalskær) klinge og en langsommere, jævn snithastighed frembringe de ønskede resultater.

Kontrollér at materialet ikke bevæger sig eller kryber under skæring; fastspænd det godt på plads.

Lad altid klingens komme til et fuldt stop, før armen hæves. Hvis der stadig er små træsplinter, som stikker ud af enden på arbejdsemnet, skal der anbringes et stykke afdækningstape på træet, hvor snittet skal være. Sav gennem tapen og fjern omhyggeligt tapen efter afslutning.

For varierede skæreopgaver, se listen over anbefalede savklinger til din sav og vælg den, der passer bedst til dine behov. Se Savklinger under Valgfrit tilbehør.

Krops- og håndposition (fig. O1–O4)

Korrekt placering af din krop og hænder under arbejde med geringsarmen, vil gøre det lettere at skære mere nøjagtigt og mere sikkert. Hold hænderne på afstand af skæreamrådet. Anbring ikke dine hænder tættere end 6" (152 mm) fra klingens. Hold arbejdsemnet tæt imod bordet og anslaget under skæring. Hold dine hænder i denne position, indtil udløseren er blevet udløst, og klingens helt er helt stoppet.

FORETAG ALTID TØRKØRSLER (UDEN STRØM), FØR DU AFSLUTTER SNIT, SÅ DU KAN KONTROLLERE KLINGENS STI. KRYDS IKKE HÆNDERNE, SOM VIST I FIGUR O3.

Hold begge fødder solidt plantet på gulvet og oprethold en korrekt balance. Når du flytter geringsarmen til venstre og højre, følg den og stå lidt til siden for savklingen. Se gennem lamellerne i skjoldet, når du følger en blyantlinje.

Fastholdning af arbejdsemnet

Advarsel! For at mindske risikoen for alvorlige personskader, skal du slukke for værktøjet og tage batteriet ud, før du transporterer, foretager justeringer eller fjerner/installerer tilbehør. Start ved et uheld kan medføre skader.

Advarsel! Et arbejdsemne, der er fastspændt, afbalanceret og sikkert før et snit, kan komme ud af balance, efter snittet er afsluttet. En last ude af balance kan vippe saven eller det, saven er fastgjort til, som fx et bord eller en arbejdsbænk. Ved udførelse af et snit, der kan komme ud af balance, understøt arbejdsemnet korrekt og kontrollér, at saven er fastboltet til en stabil overflade. Det kan resultere i personskade.

Advarsel! Fastspændingsfoden skal forblive fastspændt over savfundamentet, hver gang holder anvendes. Fastspænd altid arbejdsemnet til savfundamentet – ikke til andre dele af arbejdsområdet. Kontrollér at fastspændingsfoden ikke er fastspændt på hjørnet af savfundamentet.

Advarsel! Brug altid en arbejdsklemme til at opretholde kontrol og reducere risikoen for beskadigelse af arbejdsemnet og personskade, hvis dine hænder skal være inden for 6" (152 mm) af klingens under snittet.

Hvis du ikke kan fastgøre arbejdsemnet på bordet og imod anslaget med hånden (uregelmæssig form osv.), eller din hånd vil være mindre end 6" (152 mm) fra klingens, skal du bruge en klemme eller anden fastgørelse. Brug den materialeklemme, der blev leveret sammen med din sav. Du kan købe en materialeklemme ved at kontakte din lokale forhandler eller Stanley FatMax servicecenter. Andre hjælpemidler som fx fjederholdere, stangholdere eller C-holdere kan være velegnede for bestemte materialestørrelser og -former. Vær omhyggelig med at vælge og placere disse klemmer. Tag dig tid til at foretage en tørkørsel før du udfører snittet.

Sådan installeres holderen (fig. P)

- ◆ Indsæt holderen (37) i hullet (19) bag ved anslaget. Holderen skal vende imod geringssavens bagside. Rillen på holderstangen skal være helt indsat i fundamentet. Kontrollér at rillen er helt indsat i geringssavens fundament. Hvis rillen er synlig, vil holderen ikke være sikret.
- ◆ Drej holderen 180° imod geringssavens forside.
- ◆ Løs knappen for at justere holderen op eller ned, og anvend derefter finjusteringsknappen til at fastgøre arbejdsemnet.

Bemærk: Anbring holderen på den modsatte side af fundamentet under smigskæring. FORETAG ALTID TØRKØRSLER (UDEN STRØM), FØR DU AFSLUTTER SNIT FOR AT KONTROLLERE KLINGENS STI. SØRG FOR AT HOLDEREN IKKE FORSTYRRER SAVENS ELLER BESKYTTESESKÆRMENES FUNKTIONER.

Justeringer

Din geringssav blev fuldstændigt og nøjagtigt justeret på fabrikken under produktionen. Hvis omjustering er nødvendig på grund af forsendelse og håndtering eller af anden årsag, følg instruktionerne nedenfor til at justere din sav. Når de først er foretaget, vil disse justeringer forblive nøjagtige. Tag dig lidt tid nu til at følge disse anvisninger omhyggeligt for at sikre nøjagtigheden af det, som din sav er i stand til.

Justering af geringsskala (fig. Q1)

Lås armen i nedad position. Lås geringslåsegrebet (5) op og sving geringsarmen, indtil geringslåseknappen (6) låser den i 0° geringsposition. Lås ikke geringslåsegrebet. Anbring en firkant imod savens anslag og klinge som vist. (Berør ikke savklingsens spidser med firkanten. Hvis du gør det, medfører det unøjagtige målinger.) Hvis savklingen ikke er helt vinkelret med anslaget, skal du løsne og flytte materialeanslaget, indtil klingens er vinkelret med anslaget, målt med firkanten. Vær ikke opmærksom på aflæsningen af geringsmarkøren på dette tidspunkt.

Justering af smigfirkanten i forhold til bordet (fig. Q2)

Du retter klingefirkanten til efter bordet ved at låse armen i nedadvendt position med låsestiften (20). Anbring en firkant imod klingens, idet du sikrer, at firkanten ikke sidder på toppen af en tand. Løs smiglåsegrebet (5) og kontrollér, at armen siddet fast imod 0° smigstopet. Drej 0° smigjusteringskruen med 1/2" (12,7 mm) nøgle (medfølger ikke) om nødvendigt, så klingens står i 0° smig i forhold til bordet som målt med firkanten.

Afskærmningens aktivering og sigtbarhed (fig. V)

Advarsel! Risiko for blokering. Du nedsætter risikoen for skader ved at holde tommelfingeren under betjeningshåndtaget, når du trækker håndtaget ned. Den nederste afskærmning vil bevæge sig op, når betjeningshåndtaget trækkes ned, hvilket kan forårsage blokering. Den nederste beskyttelseskærm (4) på din sav er designet til automatisk at afdække klingens, når armen køres ned og til at dække klingens, når armen hæves. Før hver brug eller efter at have foretaget justeringer, kørs armen op og ned (uden strøm) og sørg for, at afskærmningen åbner jævnt og lukker helt. Den bør ikke være i kontakt med klingens. Med armen op, hæv afskærmningen (uden strøm) som vist i figur V og udløs den. Afskærmningen bør hurtigt lukke helt. Arbejd ikke med savens, hvis afskærmningen ikke kan bevæges frit og hurtigt kan lukke helt. Fastgør eller bind aldrig afskærmningen i en åben position under betjening af savens. Beskyttelseskærmen kan hæves manuelt ved af- eller påmontering af savklinger eller ved inspektion af savens. HÆV ALDRIG DEN NEDERSTE BESKYTTESESKÆRM MANUELT MED MINDRE KLINGEN ER STOPPET.

Bemærk: Visse specielle snit af større materialer kræver, at du hæver afskærmningen manuelt. Se Skæring af større materialer under Specielle snit.

Den forreste del af beskyttelseskærmen er forsynet med en lamelbeskyttet åbning for sigtbarhed under skæring. Selv om de lamelbeskyttede åbninger reducerer flyvende fremmedlegemer, findes der åbninger i afskærmningen, og du bør derfor altid bære sikkerhedsbriller.

Skinnestyr

Kontrollér skinnerne (13) regelmæssigt for slør eller frigang. Skinnerne kan rengøres med en tør, ren klud.

Skæring af billedrammer, skyggebokse og andre firesidede projekter (fig. R1, R2)

For at få den bedste forståelse for at udføre de punkter, der er nævnt her, foreslår vi, at du prøver et par enkle projekter ved hjælp af affaldstræ, indtil du har udviklet en "formemmelse" af din sav.

Din sav er det perfekte værktøj til geringsssavning af hjørner som dem, der er vist i figur R1. Skitse A i figur R2 viser en sammenføjning lavet ved hjælp af justering af smig til udførelse af smig på kanterne af de to plader hver på 45° til frembringelse af et 90° hjørne. For denne sammenføjning er geringsarmen låst i nul position, og smigjusteringen er låst ved 45°. Træet er placeret med den brede flade side imod bordet og det snævre hjørne imod anslaget. Det samme snit kan også laves med gerings-skæring til højre og venstre med den brede overflade imod anslaget.

Skæring af kantprofiler og andre rammer (fig. R2)

Skitse B i figur R2 viser en samling, der er lavet ved at indstille geringsarmen ved 45° til at gøre de to plader sammen til at danne et 90° hjørne. Du laver denne type sammenføjning ved at indstille smigjusteringen til nul og geringsarmen til 45°. Anbring igen træet med den brede flade side imod bordet og det snævre hjørne imod anslaget.

Figureerne R1 og R2 er kun for fire-sidede genstande.

Når antallet af sider ændres, ændres også gerings- og smigvinklerne. Oversigten nedenfor angiver korrekte vinkler for mange forskellige former.

Eksempler

Antal sider	Gerings- eller smigvinkel
4	45°
5	36°
6	30°
7	25,7°
8	22,5°
9	20°
10	18°

Oversigten går ud fra, at alle siderne har samme længde. Til en form, der ikke vises i oversigten, brug følgende formel: 180° delt med antallet af sider svarer til geringen (hvis materialet skæres vertikalt) eller til smigvinkel (hvis materialet skæres fladtliggende).

Skæring af kombinerede geringsnit (fig. R3)

Et kombineret geringsnit er et snit, der laves ved brug af en geringsvinkel og en smigvinkel på same tid. Det er denne type skæring, der bruges til at lave rammer eller kasser med skrånede sider som den, der vises i figur R3.

Bemærk: Hvis skærevinklen varierer fra snit til snit, kontroller at smiglåserebet og geringslåséhåndtaget er korrekt låste. De skal være låste, efter der er foretaget nogen ændringer af smig eller gering. Skemaet i slutningen af denne vejledning (tabel 1) kan hjælpe dig med at vælge de korrekte vinkel- og geringsindstillinger til gængse dobbeltgeringsnit.

For at kunne anvende skemaet skal du vælge den ønskede vinkel A (fig. R3) til dit projekt og finde denne vinkel på den passende kurve i oversigten. Fra dette punkt følg oversigten lige ned for at finde den korrekte smigvinkel og lige over for at finde den korrekte geringsvinkel. Indstil din sav til de foreskrevne vinkler og foretag et par prøvesnit. Øv dig i at sætte de skårne stykker sammen, indtil du udvikler en fornemmelse af denne procedure og føler dig godt tilpas med den.

Eksempel: Du laver en 4-sidet kasse med 26° udvendige vinkler (vinkel A, fig. R3), ved at bruge den øverste højre bue. Find 26° på kurveskalaen. Følg den horizontale gennemskårne linje til den ene af siderne for at få geringsvinkelindstillingen på saven (42°). Følg på same måde den vertikale gennemskårne linje til toppen eller bunden for at få smigvinkelindstillingen på saven (18°). Foretag altid prøvesnit på nogle stykker affaldstræ for at kontrollere indstillingerne på saven.

Skæring af bundkantlister (fig. S)

Lige 90° snit:

Placér træet mod anslaget og hold det på plads som vist på figur S. Tænd saven, lad klingens nå fuld hastighed, og sænk armen blødt gennem snittet.

Skæring af bundkantlister op til 3,5" (90 mm) høje vertikalt imod anslaget

Placer materiale, som vist i figur S. Alle snit skal laves på kantlisterens bagside vendt imod anslaget og med bunden af kantlisterne vendt imod bordet.

	Inde i hjørnet	Uden for hjørnet
Venstre side	Venstre gering 45° Gem venstre snitside	Højre gering 45° Gem venstre snitside
Højre side	Højre gering 45° Gem højre snitside	Venstre gering 45° Gem højre snitside

Materiale op til 3,5" (90 mm) kan skæres som beskrevet ovenfor.

Skæring af kronekantprofiler

For korrekt tilpasning skal kronekantlister være kombineret geret sammen med stor nøjagtighed.

De to flade overflader på en bestemt stykke kronekantliste er i vinkler, når de lægges sammen, lige præcis 90°. De fleste, men ikke alle, kronekantlister har en vinkel bagpå for oven (det afsnit, der passer fladt mod loftet) på 52° og vinkel bagpå for neden (den del, der passer fladt mod væggen) på 38°. Din geringsav har specielt forhåndsindstillede låsepunkter ved 31,6° til venstre og højre for skæring af kronekantlister ved den korrekte vinkel. Der findes også et mærke på smigskalaen ved 33,8°.

Diagrammet over smigindstilling/skæretype viser de korrekte indstillinger for skæring af kronekantlister. (Tallene for gerings- og smigindstillingerne er meget præcise, og det er ikke let at indstille dem nøjagtigt på din sav.) Da de fleste værelser ikke har vinkler på præcis 90°, bliver du alligevel nødt til at finjustere dine indstillinger.

Instruktioner om skæring af fladtliggende kronekantlister og brug af kombinerede funktioner

- Læg kantlister med den brede bagside fladt ned på savbordet (36) (fig. T1).
- Indstillingerne nedenfor er for alle standard kronekantlister med 52° og 38° vinkler.

Smigindstilling	Skæretype
33,8°	VENSTRE SIDE, INDE I HJØRNET: 1. Toppen af kantlister mod anslaget 2. Smigbordet indstillet til højre til 31,62° 3. Gem venstre snitende
33,8°	HØJRE SIDE, INDE I HJØRNET: 1. Bunden af kantlister mod anslaget 2. Smigbordet indstillet til venstre 31,62° 3. Gem venstre snitende
33,8°	VENSTRE SIDE, UDEN FOR HJØRNET: 1. Bunden af kantlister mod anslaget 2. Smigbordet indstillet til venstre 31,62° 3. Gem høje snitende
33,8°	HØJRE SIDE, UDEN FOR HJØRNET: 1. Toppen af kantlister mod anslaget 2. Smigbordet indstillet til højre til 31,62° 3. Gem høje snitende

Bemærk: Ved indstilling af smig- og geringsvinkler for kombinerede gerings- og snit, husk at de angivne vinkler for kronekantlister er meget præcise og vanskelige at indstille nøjagtigt. Da de nemt kan flytte sig lidt, og da meget få værelser har nøjagtige firkantede hjørner, bør alle indstillinger testes på affaldskantlister.

Alternativ metode for skæring af kronekantlister

Placer kantlisten i en vinkel mellem anslaget (11) og savbordet (36), med oversiden af kantlisten på bordet og undersiden af kantlisten på anslaget, som vist på figur T1.

Fordelen ved at skære kronekantlister ved hjælp af denne metode er, at der ikke kræves et smignits. Sidste øjeblikke ændringer af geringsvinklen kan laves uden at berøre smigvinklen. Når du støder på andre hjørner end 90°, kan saven på denne måde hurtigt og let justeres til dem.

Instruktioner for skæring af kantlister vinklet mellem anslaget og savfundamentet for alle snit

Denne sav kan skære op til 9/16" (14 mm) x 3-5/8" (92 mm) indlejrede kronekantlister.

- Anbring kantlisten på skrå, så bunden på kantlisten (den del der går imod væggen, når den er installeret) vender imod anslaget (11), og det øverste af kantlisten hviler på savbordet (36), som vist i figur T2.
- De skråtstillede "flader" bag på kantlisten skal hvile kvadratisk på anslaget og savbordet (36).

	Inde i hjørnet	Uden for hjørnet
Venstre side	Højre gering ved 45° Gem højre snitside	Venstre gering ved 45° Gem højre snitside
Højre side	Venstre gering ved 45° Gem venstre snitside	Højre gering ved 45° Gem venstre snitside

Specielle snit

Lav aldrig nogen snit undtagen materialet er sikret på bordet og imod anslaget.

Bøjet materiale (fig. U1, U2)

Ved skæring i bøjet materiale, anbring det altid som vist i figur U1 og aldrig som vist i figur U2. Forkert placering af materialet vil få det til at trykke klingens tæts ved afslutningen på snittet.

Skæring af runde materialer

Runde materialer skal være fastgjort og holdt godt fast til anslaget, så de ikke ruller. Dette er meget vigtigt ved udførelse af vinkelsnit.

Skæring af lange materialer (fig. V)

En gang imellem vil du støde på et stykke træ, der er lidt for stort til at passe ind under den laveste beskyttelsesskærm. Du flytter afskærmningen over træet, med slukket sav og din højre hånd på betjeningshåndtaget ved at placere din højre tommelfinger uden for den øverste del af afskærmningen og rulle afskærmningen tilstrækkeligt op til at tage træet ud, som vist i figur V. Udløs afskærmningen, inden motoren startes. Afskærmningsmekanismen vil fungere korrekt under snittet. Gør kun dette hvis det er nødvendigt.

BIND, TAPE ELLER FASTHOLD ALDRIG BESKYTTELSSESKÆRMEN ÅBEN UNDER ARBEJDE MED DENNE SAV.

Vedligeholdelse

Advarsel! For at mindske risikoen for alvorlige personskader, skal du slukke for værktøjet og tage batteriet ud, før du transporterer, foretager justeringer eller fjerner/installerer tilbehør. Start ved et uheld kan medføre skader.

Advarsel! For at reducere risikoen for personskade, berør IKKE de skarpe punkter på klingens med fingrene eller hænder under udførelsen af nogen vedligeholdelse. Anvend IKKE smøremidler eller rensere (specielt spray eller aerosol) i nærheden af plastikbeskyttelsesskærmen. Det polykarbonat materiale, der anvendes i beskyttelsesskærmen, kan angribes af bestemte kemikalier.

- ◆ Alle lejer er forsejlet. De er smurt til hele livet og behøver ingen yderligere vedligeholdelse.
- ◆ Udrens med mellemrum al støv og alle træspåner fra rundt om OG UNDER fundamentet og rotationsbordet. Selvom der er huller, som lader snavs passere igennem, vil der blive akkumuleret noget støv.
- ◆ Børsterne er designet til at give dig flere års brug. Hvis de nogensinde har brug for udskiftning, skal du returnere værktøjet til det nærmeste servicecenter for reparation.

Yderligere informationer findes på www.2helpU.com

Tekniske data

SFMCS701 (H1)			
Spænding	V		18
Hastighed	/min.		3.800
Klinges ydre diameter	mm		190
Borediameter	mm		16
Klinges maks. savsnit	mm		1,8
Vægt uden batteri	kg		10
Klingens tykkelse	mm		1,0
Geringssnit (maks. positioner)	°		47
Skrånsnit (maks. positioner)	°		47
0 gr. gering	horisontalt	mm	50 x 216
	vertikalt	mm	90 x 15
45 gr. gering højre	horisontalt	mm	50 x 152
	vertikalt	mm	90 x 15
45 gr. gering venstre	horisontalt	mm	50 x 152
	vertikalt	mm	90 x 15
45 gr. smig venstre	horisontalt	mm	50 x 152
	vertikalt	mm	50 x 15

Batteri		SFMCB201	SFMCB202	SFMCB204	SFMCB206
Spænding	V _{DC}	18	18	18	18
Kapacitet	Ah	1,5	2,0	4,0	6,0
Type		Li-Ion	Li-Ion	Li-Ion	Li-Ion

Oplader		SFMCB11	SFMCB12	SFMCB14
Indgangsspænding	V _{AC}	230	230	230
Udgangsspænding	V _{DC}	18	18	18
Strømstyrke	A	1,25	2	4

Lydtrykniveau i henhold til EN 62841:	
L _{PA} (lydtryk)	83,0 dB(A), Usikkerhed (K) 3 dB(A)
L _{WA} (lydeffekt)	94,5 dB(A), Usikkerhed (K) 3 dB(A)

Fejlsøgning

Problem	Mulig årsag	Løsning
Saven vil ikke starte.	Batteri ikke isat.	Installér batteri. Se Installation og demontering af batteripakke.
	Batteri ikke opladet.	Oplad batteri. Se Opladningsprocedure.
	Børster slidte	Få børster udskiftet af et autoriseret servicecenter.
Sav laver utifredsstillende snit.	Slov klinger.	Udskift klinger. Se Udskiftning eller montering af en ny savklinge.
	Klinge monteret baglæns.	Drej klinger rundt. Se Udskiftning eller montering af en ny savklinge.
	Gummi eller beg på klinger.	Fjern klinger og rens dem med grov ståluld og terpentin eller husholdningsovnrrens.
	Forkert klinger til det udførte arbejde.	Udskift klingetype.
Arbejdslys blinker.	Batteriet er ikke opladet	Oplad batteri. Se Opladningsprocedure.
Maskine vibrerer for meget.	Sav ikke monteret godt nok på stativet eller arbejdsbænken.	Stram al monteringshardware. Se Montering af bæk
	Stativ eller bæk på ujævnt gulv.	Flyt til flad, jævn overflade.
	Beskadiget savklinge.	Udskift klinger. Se Udskiftning eller montering af en ny savklinge.
Laver ikke nøjagtige geringssnit.	Geringsskala ikke korrekt justeret.	Kontrollér og justér. Se Justering af geringsskala under Justeringer.
	Klinge ikke kvadratisk til anslag.	Kontrollér og justér. Se Justering af geringsskala under Justeringer.
	Klinge ikke vinkelret på bord.	Kontrollér og justér anslag. Se Smigrkant til justering af bord under Justeringer.
	Arbejdsemne bevæger sig	Fastgør arbejdsemnet godt til anslaget eller lim sandpapir med 120 korn til anslaget med gummiment.
	Savsnitplade slidt eller beskadiget.	Medbring den til autoriseret servicecenter.
Materiale blokerer klinger.	Skæring af bøjet materiale.	Se Bøjet materiale under Specielle snit.

Miljøbeskyttelse



Særskilt bortskaftelse. Produkter og batterier mærket med dette symbol må ikke bortskaftes sammen med normalt husholdningsaffald.

Produkter og batterier indeholder materialer, der kan blive gendannet eller genanvendt og således reducere efterspørgslen efter råvarer. Genbrug venligst elektriske produkter og batterier i henhold til lokale regulativer.

EF-overensstemmelseserklæring

MASKINDIREKTIV



SFMC701 Geringssav med glidende forbindelse

Stanley Europe erklærer, at produkterne beskrevet under "tekniske data" er udformet i overensstemmelse med: EN62841-1:2015, EN62841-3-9:2015+A11:2017

Disse produkter overholder også direktivet 2006/42/EF, 2014/30/EU og 2011/65/EU.

Kontakt STANLEY FATMAX på nedenstående adresse, eller se vejledningens bagside for at få flere oplysninger.

Undertegnede er ansvarlig for kompilering af den tekniske fil og udsteder denne erklæring på vegne af STANLEY FATMAX.



Ed Higgins

Direktør – Consumer Power Tools

Stanley Europe, Egide Walschaertsstraat14-18,
2800 Tessengerlo, Belgien

08/05/2020

Garanti

Stanley Europe er sikker på kvaliteten af sine produkter og giver forbrugerne en garanti på 12 måneder fra købsdatoen. Garantien er et tillæg til forbrugers lovmæssige rettigheder og påvirker ikke disse. Garantien er gyldig inden for medlemsstaterne af Den Europæiske Union og Det Europæiske Frihandelsområde.

Når du gør krav på garantien, skal kravet være i overensstemmelse med STANLEY FATMAX vilkår og betingelser, og du skal indsende dokumentation for købet til sælgeren eller til en autoriseret reparatør. Vilkår og betingelser for Stanley Europe 1 års garanti og placeringen af dit nærmeste autoriserede serviceværksted kan fås på internettet på www.2helpU.com, eller ved at kontakte dit lokale Stanley Europe kontor på den adresse, der er angivet i denne vejledning.

Besøg venligst vores websted www.stanley.eu/3 for at registrere dit nye STANLEY FATMAX-produkt og modtage opdateringer om nye produkter og specielle tilbud.

Käyttötarkoitus

Liukuva, yhdistetty STANLEY FATMAX SFMCS701 -jirisaha on suunniteltu vain puun, muovin ja ei-rautapitoisen metallin sahaamiseen. Työkalu on tarkoitettu sekä ammatti- että yksityiskäyttöön.

Turvaohjeet

Sähkötyökalun yleiset turvallisuusvaroitukset



Varoitus! Lue kaikki laitteen mukana toimitetut varoitukset, käyttöohjeet ja tekniset tiedot. Jos alla olevia varoituksia ja ohjeita ei noudateta, on olemassa sähköiskun, tulipalon ja/ tai vakavan henkilövahingon vaara.

Tallenna kaikki varoitukset ja ohjeet myöhempiä tarvetta varten. Kaikissa alla olevissa varoituksissa on käytettävä sähkötyökaluilmaus viittaa verkkovirtaan yhdistettävään tai akkukäyttöiseen työkaluun.

1. Työalueen turvallisuus

- a. **Pidä työalue puhtaana ja varmista sen hyvä valaistus.** Onnettomuuksia sattuu herkemmin epäsiistissä tai huonosti valaistussa ympäristössä.
- b. **Älä käytä sähkötyökalua räjähdysalttiissa ympäristössä, jossa on syttyvää nestettä, kaasua tai pölyä.** Sähkötyökalujen aiheuttamat kipinät voivat sytyttää pölyn tai kaasut.
- c. **Pidä lapset ja sivulliset loitolla sähkötyökalua käyttäessäsi.** Keskittymiskyvyn herpaantuminen voi aiheuttaa hallinnan menettämisen.

2. Sähköturvallisuus

- a. **Sähkötyökalun pistokkeen on sovittava pistorasiaan. Älä koskaan tee pistokkeeseen mitään muutoksia. Älä yhdistä maadoitettua sähkötyökalua jatkojohtoon.** Sähköiskun vaara vähenee, jos pistokkeisiin ei tehdä muutoksia ja ne yhdistetään vain niille tarkoitettuihin pistorasioihin.
- b. **Vältä koskettamasta maadoitettuja pintoja, kuten putkia, lämpöpattereita, liesiä tai jääkaappeja.** Voit saada sähköiskun, jos kehosi on maadoitettu.
- c. **Älä altista sähkötyökalua sateelle tai kosteudelle.** Sähkötyökaluun menevä vesi lisää sähköiskun vaaraa.
- d. **Älä käsittele virtajohtoa kovakouraisesti. Älä kannaa sähkötyökaluja sähköjohdosta tai vedä pistoketta pistorasiasta sähköjohdon avulla. Pidä sähköjohto kaukana kuumuudesta, öljystä, terävistä reunoista tai liikkuvista osista.** Vaurioituneet tai sokeutuneet johdot lisäävät sähköiskun vaaraa.
- e. **Käyttäessäsi sähkötyökalua ulkona käytä ainoastaan ulkokäyttöön soveltuvaa jatkojohtoa.**

Ulkokäyttöön tarkoitettujen sähköjohdon käyttäminen vähentää sähköiskun vaaraa.

- f. **Jos sähkötyökalua on välttämättä käytettävä kosteassa paikassa, käytä vikavirtasuojalla (RCD) suojattua virtälähdettä.** Tämä vähentää sähköiskun vaaraa.
3. **Henkilökohtainen turvallisuus**
- a. **Ole valpas, keskity työhön ja noudata tervettä järkeä sähkötyökalun käytössä. Älä käytä tätä sähkötyökalua ollessasi väsynyt tai alkoholin, huumeiden tai lääkkeiden vaikutuksen alaisena.** Keskittymisen herpaantuminen hetkeksikin sähkötyökalua käytettäessä voi aiheuttaa vakavan henkilövahingon.
- b. **Käytä henkilökohtaisia suojavarusteita. Käytä aina suojalaseja.** Hengityssuojaimen, liukumattomien turvajalkineiden, kypärän ja kuulosuojaimen käyttäminen vähentää henkilövahinkojen vaaraa.
- c. **Vältä tahatonta käynnistämistä. Varmista, että virtakytkin on OFF-asennossa, ennen kuin kytket sähkötyökalun pistorasiaan, yhdistät siihen akun, nostat sähkötyökalun käteesi tai kannat sitä.** Sähkötyökalun kantaminen sormi virtakytkimellä lisää onnettomuusvaaraa.
- d. **Irrota mahdollinen säätö- tai kiintoavain ennen kuin käynnistät sähkötyökalun.** Sähkötyökalun pyöriivään osaan jäänyt säätöavain tai väännin voi aiheuttaa henkilövahingon.
- e. **Älä kurkota. Huolehdi siitä, että sinulla on koko ajan tukeva jalansija ja hyvä tasapaino.** Näin voit hallita sähkötyökalua paremmin odottamattomissa tilanteissa.
- f. **Käytä tarkoitukseen soveltuvia vaatteita. Älä käytä löysiä vaatteita tai koruja. Pidä hiukset, vaatteet ja kädet loitolla liikkuvista osista.** Löysät vaatteet, korut tai pitkät hiukset voivat tarttua liikkuviin osiin.
- g. **Jos työkalun voi liittää polynimuriiniin, tarkista, että liitos on tehty asianmukaisesti ja että laitteita käytetään oikealla tavalla.** Pölyn ottaminen talteen voi vähentää pölyn aiheuttamia vaaroja.
- h. **Vaikka käyttäisit usein työkaluja ja sinulla olisi niistä hyvä tuntemus, älä jätä lukematta työkalun turvallisuusohjeita.** Epähuoimissa suoritettujen toimenpiteiden avulla voidaan vähentää henkilövahinkoita sekunnin murto-osassa.
4. **Sähkötyökalusta huolehtiminen**
- a. **Älä ylikuormita sähkötyökalua. Valitse käyttötarkoituksen kannalta oikea sähkötyökalu.** Sähkötyökalu toimii paremmin ja turvallisemmin, kun sitä käytetään sille suunniteltuun käyttötarkoitukseen.
- b. **Älä käytä sähkötyökalua, jota ei voida käynnistää ja pysäyttää virtakytkimestä.**

Jos sähkötyökalua ei voi hallita kytkimen avulla, se on vaarallinen ja se on korjattava.

- c. **Irrota pistotulppa pistorasiasta ja/tai akku laitteesta ennen kuin suoritat säätöjä, vaihdat tarvikkeita tai siirät sähkötyökalun varastoitavaksi.** Näin voit vähentää vahingossa käynnistymisen aiheuttaman henkilövahingon vaaraa.
- d. **Säilytä sähkötyökalut poissa lasten ulottuvilta, kun niitä ei käytetä. Älä anna sähkötyökalua sellaisen henkilön käyttöön, joka ei tunne sitä tai joka ei ole tutustunut tähän käyttöohjeeseen.** Sähkötyökalut ovat vaarallisia kouluttamattomien käyttäjien käsissä.
- e. **Varmista sähkötyökalujen ja lisävarusteiden hyvä kunto. Tarkista liikkuvat osat, niiden kiinnitys, osien eheys ja muut koneen toimintaan vaikuttavat tekijät. Jos havaitset vaurioita, korjauta sähkötyökalu ennen niiden käyttämistä.** Huonosti kunnossapidetyt sähkötyökalut aiheuttavat onnettomuuksia.
- f. **Pidä leikkausterät terävinä ja puhtaina.** Kunnossa pidettyjen leikkaavien teräviä reunoja sisältävien työkalut todennäköisyys jumiutua vähenee, ja niitä on helpompi hallita.
- g. **Käytä sähkötyökaluja, tarvikkeita, vaihtoteriä yms. näiden ohjeiden mukaisesti. Ota tällöin huomioon työolosuhteet ja suoritettava toimenpide.** Jos sähkötyökalua käytetään näiden ohjeiden vastaisesti, voi syntyä vaaratilanne.
- h. **Pidä kahvat ja kädensijat kuivina ja puhtaina öljystä ja rasvasta.** Liukkaat kahvat ja rasvaiset pinnat heikentävät laitteen hallinnan ja ohjauksen turvallisuutta odottamattomissa tilanteissa.
5. **Akkutyökalun käyttö ja huolto**
- a. **Lataa akku vain valmistajan määrittelemällä laturilla.** Laturi, joka on sopiva yhden tyyppiselle akulle, voi aiheuttaa tulipalon vaaran, jos sitä käytetään toisen tyyppisellä akulla.
- b. **Käytä sähkötyökalussa ainoastaan kyseiseen sähkötyökaluun tarkoitettua akkua.** Muun tyyppisen akun käyttö saattaa johtaa loukkaantumiseen ja tulipaloon.
- c. **Pidä irrallinen akku loitolla metalliesineistä, kuten paperiliittimistä, kolikoista, avaimista, nauloista, ruuveista tai muista pienistä metalliesineistä, jotka voivat aiheuttaa oikosulun akun navoissa.** Kennon pinteiden oikosulun voi aiheuttaa palovammoja tai tulipalon.
- d. **Väärin käytetyistä akusta voi vuotaa nestettä. Älä kosketa sitä. Jos nesteen kanssa joutuu kosketuksiin, huuhtelee vedellä. Jos nestettä joutuu silmiin, hakeudu lisäksi lääkärin hoitoon.** Akusta roiskunut neste saattaa aiheuttaa ärsytystä tai palovammoja.
- e. **Vaurioitunutta tai muokattua akkua tai laitetta ei saa käyttää.**

Vaurioituneissa tai muokatuissa akuissa voi esiintyä odottamattomia häiriöitä, jotka voivat aiheuttaa tulipaloja, räjähdysvaaroja tai henkilövahinkoja.

- f. **Akku ja laite tulee suojata tullelta sekä liian korkealta lämpötilalta.** Mikäli akku altistuu tullelta tai yli 130 °C lämpötilalle, seurauksena voi olla räjähdys.
- g. **Noudata kaikkia latausohjeita, akkua tai laitetta ei saa ladata ohjeissa annettujen lämpötilavälien ulkopuolella.** Virheellisen latauksen tai annettujen lämpötilavälien ulkopuolella lataamisen seurauksena akku voi vaurioitua ja tulipalovaara kasvaa.

6. Huolto

- a. **Korjauta sähkötyökalu koulutetulla ja ammattitaitoisella henkilöllä ja hyväksy korjauksiin vain alkuperäisiä varaosia.** Täten taataan sähkötyökalun turvallisuus.
- b. **Vaurioituneita akkuja ei saa koskaan huoltaa.** Ainoastaan valmistaja tai valtuutetut huoltoilikkeet saavat huoltaa akkuja.

Jiirisahojen turvallisuusohjeet

- ◆ **Jiirisahat on tarkoitettu puun tai puuntapaisten materiaalien leikkaamiseen, niitä ei voi käyttää laikoilla rautamateriaalin (esim. tangot, varret, tapit jne.) katkaisemiseen.** Laikoista aiheutuva pöly voi aiheuttaa osien (esim. alasuojuksen) kiinni juuttumisen. Laikoista aiheutuvat kipinäet aiheuttavat alasuojuksen, uurroslevyn ja muiden muoviosien palamisen.
- ◆ **Tue työstökappaletta pidikkeillä aina kun se on käytännössä mahdollista. Jos työstökappaletta tuetaan käsin, käsi on pidettävä vähintään 100 mm päässä sahanterän reunasta. Sahlalla ei saa leikata liian pieniä kappaleita, joita ei voida kiinnittää turvallisesti pidikkeillä tai pitää käsin paikoillaan.** Jos pidät kättä liian lähellä sahanterää, henkilövahingon vaara on suurempi terän kosketuksen vuoksi.
- ◆ **Työstökappaleen on oltava paikoillaan ja kiinnitetty pidikkeillä tai se on pidettävä sekä rajasuojaa että työtasoa vasten. Työstökappaletta ei saa syöttää terään eikä sitä saa leikata "vapaalla kädellä".** Vapaat tai liikkuvat työstökappaleet voivat sinkoutua suurella nopeudella ja aiheuttaa henkilövahinkoja.
- ◆ **Paina saha työstökappaleen läpi. Älä vedä sahaa työstökappaleen läpi. Leikkaa nostamalla sahapäättä ja vetämällä se ulos työstökappaleen yli leikkaamatta, käynnistä moottori, paina sahapää alas ja saha työstökappaleen läpi.** Vetämällä tapahtuva leikkaus aiheuttaa todennäköisesti sahanterän nousemisen työstökappaleen päälle, jolloin teräkokooppa syöksyy voimakkaasti käyttäjää kohti.
- ◆ **Älä koskaan vie kättä suunnittelun leikkauslinjan yli sahanterän etu- tai takapuolelta.**
- ◆ **Työstökappaleen tukeminen kädet ristissä (ts. pitämällä työstökappaletta sahanterän oikealla puolella vasemmalla kädellä tai päinvastoin) on erittäin vaarallista.**
- ◆ **Älä koskaan kurottele rajasuojan taakse pitämällä kättä alle 100 mm päässä sahanterän reunasta puukappaleiden poistamiseksi tai muusta syystä terän pyöriessä.** Pyörivän terän ja käden pieni etäisyys ei välttämättä ole ilmiselvää, olemassa on vakavan henkilövahingon vaara.
- ◆ **Tarkista työstökappale ennen sahaamista. Jos työstökappale on kaareva tai vääntynyt, se tulee kiinnittää ulkoinen kaareva puoli rajasuojaa kohti. Varmista aina, että työstökappaleen, rajasuojan ja työtason väliin ei jää rakoa leikkauslinjassa.** Taipuneet tai vääntyneet työstökappaleet voivat vääntyä tai siirtyä, jolloin pyörivä sahanterä voi juuttua kiinni leikkaamisen aikana. Työstökappaleessa ei saa olla nauloja tai vieraita esineitä.
- ◆ **Sahaa ei saa käyttää ennen kuin kaikki työkalut, puukappaleet jne. on poistettu työtasosta; ainoastaan työstökappale saa olla tasolla.** Pyörivään terään osuvat pienet kappaleet tai irtonaiset puuosat tai muut kohteet voivat sinkoutua suurella nopeudella.
- ◆ **Leikkaa vain yksi työstökappale kerrallaan.** Pinoon asetettuja työstökappaleita ei voida kiinnittää tai tukea asianmukaisesti, ne voivat jäädä kiinni terään tai siirtyä leikkaamisen aikana.
- ◆ **Varmista, että jiirisaha on asennettu tai sijoitettu tasaiselle ja tukevalle pinnalle ennen käyttöä.** Tasainen ja tukeva työtaso vähentää jiirisahan epävakauden riskiä.
- ◆ **Suunnittele työtoimenpiteet etukäteen. Varmista aina viisteen tai jiirikulman säätämisen yhteydessä, että säädettävä rajasuoja on asetettu tukemaan työstökappaletta oikein ja ettei se kosketa terään tai suojajärjestelmään.** Kun työkalua ei ole vielä kytketty päälle "ON"-asettoon ja työstökappaletta ei ole asetettu työtasolle, siirrä sahanterää simuloiden koko leikkausta ja varmista, ettei se osu mihinkään ja ettei rajasuojan leikkautumisvaaraa ole olemassa.
- ◆ **Varmista asianmukainen tuki (esim. pöytäjatkeet, sahapukit jne.) työstökappaleelle, joka on työtasoa leveämpi tai pitempi.** Jos työtasoa leveämpää tai pitempää työstökappaletta ei tueta asianmukaisesti, se voi kallistua. Jos leikattu kappale tai työstökappale kallistuu, se voi nostaa alasuojuksen tai se voi singota osuessaan pyörivään terään.
- ◆ **Toista henkilöä ei saa käyttää pöytäjatkeen korvikkeena tai lisätukena.** Työstökappaleen epävakaa tuki voi aiheuttaa terän kiinni juuttumisen tai työstökappaleen siirtymisen leikkauksen aikana vetäen käyttäjää ja avustajaa pyörivää terää kohti.
- ◆ **Leikattava kappale ei saa jäädä kiinni eikä sitä saa painaa mitenkään pyörivää sahanterää vasten.**

Rajoitetussa tilassa (esim. pituusrajoja käyttäessä) leikattu kappale voi jädä kiinni terää vasten ja sinkoutua suurella nopeudella.

- ◆ **Käytä aina pidikettä tai kiinnitystä, joka on suunniteltu tukemaan pyöreää materiaalia (esim. tankoja ja putkia) asianmukaisesti.** Tangot vierivät helposti leikkauksen aikana, jolloin terä "leikkaa tyhjää" ja vetää työstökappaletta ja kättäsi terää kohti.
- ◆ **Anna terän saavuttaa täysi nopeus ennen kuin kosketat työstökappaleeseen.** Tällöin työstökappaleen sinkoamisen vaara on pienempi.
- ◆ **Jos työstökappale tai terä juuttuu kiinni, kytke jirisa pois päältä. Odota, että kaikki liikkuvat osat pysähtyvät ja irrota pistoke pistorasiasta ja/tai poista akku. Vapauta sen jälkeen kiinni juuttunut materiaali.** Mikäli sahaamista jatketaan työstökappale kiinni juuttuneena, seurauksena voi olla hallinnan menetys tai jirisan vaurioituminen.
- ◆ **Vapauta kytkin leikkaamisen jälkeen, pidä sahapäätä alaspäin ja odota, että terä pysähtyy ennen leikatun kappaleen poistamista.** Käden vieminen pyörivän terän lähelle on vaarallista.

Lisäturvaohteet jirisaohille

- ◆ Tarkoitettu käyttö on kuvattu tässä käyttöohjeessa. Käytä työkalua ainoastaan sellaiseen työhön, johon se on tarkoitettu, ja käytä vain käyttöohjeessa ja tuotekuvastossa suositeltuja tarvikkeita ja lisälaitteita. Ohjeesta poikkeava käyttö voi aiheuttaa henkilö- ja/tai omaisuusvahinkoja.
- ◆ Älä käytä murtuneita, taipuneita, voittuneita tai vääntyneitä sahanteriä.
- ◆ Vaihda kulunut uirroslevy.
- ◆ Älä käytä terää, joiden halkaisija on suosituksia suurempi tai pienempi. Katso terän sopivat tyyppiarvot teknisistä tiedoista. Käytä vain ohjekirjassa ilmoitettuja teriä EN 847-1 -standardin mukaisesti.
- ◆ Älä käytä pikateräs (HSS) -sahanteriä.



Varoitus! Sahauksesta syntyvä pöly voi aiheuttaa terveyshaittoja käyttäjälle ja mahdollisille sivullisille. Käytä kasvosuojusta, joka on erityisesti tarkoitettu suojaamaan pölyltä ja höyryiltä, ja varmista, että kaikki työskentelyalueella olevat ja sinne tulevat henkilöt käyttävät suojavarusteita.

- ◆ Älä työstä materiaalia, joka sisältää asbestia. Asbesti on syöpää aiheuttava aine.
- ◆ Käytä hansikkaita, kun käsittelet sahanteriä ja karkeaa materiaalia (sahanteriä tulisi kantaa pidikkeessä, aina kun se on mahdollista).
- ◆ Käytä kuulosuojaimia kuulon heikentymisen estämiseksi.
- ◆ Harkitse erityisesti melun vähentämiseen suunniteltujen terien käyttöä.

- ◆ Käytä suojalaseja henkilövahinkovaaran välttämiseksi.
- ◆ Käytä laitteen mukana toimitettua pölypussia sahatessasi puuta.
- ◆ **Jos terä voi osua piilotettuihin sähköjohtoihin tai työkalun omaan sähköjohtoon, tartu työkalun eristettyihin tarttumapintoihin.** Työkalun kosketus jännitteisen johtimen kanssa voi tehdä myös työkalun paljaista metalliosista jännitteisiä ja aiheuttaa sähköiskun käyttäjälle.
- ◆ Valitse oikea terä leikattavalle materiaalille.
- ◆ Älä käytä konetta, jos suojuus ei ole paikoillaan. Älä käytä konetta, jos suojuus ei toimi tai jos sitä ei ole huollettu oikein.
- ◆ Varmista, että varsi on kiinnitetty kunnolla, ennen kuin suoritat viistoleikkauksia.
- ◆ Ennen sahaamista tulee varmista, että kone on vakaa.
- ◆ Kahvojen tulee olla kuivat, puhtaat ja rasvattomat.
- ◆ Pidä konetta ympäröivä alue siistinä ja puhtaana irtoneisestä materiaalista, kuten lastuista ja hukkapaloista.
- ◆ Varmista, että kone ja työskentelyalue on varustettu riittävällä yleis- tai kohdevalolla.
- ◆ Älä anna kouluttamattomien henkilöiden käyttää tätä konetta.
- ◆ Varmista aina ennen käyttöä, että terä on kiinnitetty oikein. Varmista, että terä pyörii oikeaan suuntaan. Pidä terä terävänä. Noudata voitelusta ja osien vaihdosta annettuja ohjeita.
- ◆ Varmista, että sahanteriin merkitty nopeus on vähintään yhtä suuri kuin sahaan merkitty nopeus.
- ◆ Varmista, että välilevyt ja kararenkaat sopivat STANLEY FATMAXin määrittämään käyttötarvikkeeseen.
- ◆ Leikkauslinjan ohjausjärjestelmän korjauksia saa suorittaa vain valtuutettu huoltoedustaja tai STANLEY FATMAX -huoltohenkilöstö.
- ◆ Irrota koneen akku ennen kuin suoritat mitään huoltotöitä tai kun vaihdat terää.
- ◆ Älä koskaan suorita puhdistusta, huoltoa tai hukkapalojen tai muiden työstökappaleen palojen irrottamista leikkausalueelta, kun kone on käynnissä eikä sahan pää ole lepoasennossa.
- ◆ Asenna kone aina mahdollisuuksien mukaan penkkiin.
- ◆ Varmista aina ennen käytön aloittamista, että kaikki lukitusnupit ja kahvat ovat tiukat.
- ◆ Älä koskaan käytä sahaa ilman pöytäupotetta.
- ◆ Älä koskaan yritä pysäyttää nopeassa liikkeessä olevaa konetta työkalulla tai muulla välineellä terää painamalla; tämä voi aiheuttaa vakavia onnettomuuksia.
- ◆ Lue käyttöopas huolellisesti ennen lisälaitteiden asennusta tai käyttöä. Lisävarusteen virheellinen käyttö voi aiheuttaa vahinkoja.
- ◆ Nosta terä työstökappaleen pöytäupotteesta, ennen kuin vapautat virtakytkimen.

- ◆ Älä kiilaa mitään tuuletinta vasten moottorin akselin tukemiseksi.
- ◆ Sahan teräsuojus nousee automaattisesti, kun varsi lasketaan alas, ja se laskeutuu terän päälle, kun vartta nostetaan. Suojus voidaan nostaa käsin, kun sahanteriä asennetaan tai poistetaan tai sahaa halutaan tutkia. Älä koskaan nosta teräsuojusta käsin, jollei kone ole kytketty pois päältä.
- ◆ Tarkista säännöllisesti, että moottorin ilmanvaihtoaukot ovat puhtaat ja lastuttomat.
- ◆ Älä koskaan tee sähkötyökalun varoitusmerkkejä lukukelvottomiksi.
- ◆ Älä koskaan seiso sähkötyökalun päällä. Käyttäjä voi saada vakavia vammoja, jos sähkötyökalu kaatuu, tai jos hän joutuu kosketuksiin sahanterän kanssa.
- ◆ Älä kosketa sahanterää työskentelyn jälkeen ennen kuin se on jäähtynyt. Sahanterästä tulee erittäin kuuma työstön aikana.
- ◆ Voit välttää sinkoilevista materiaaleista johtuvia vammoja irrottamalla sahan akun välttääksesi tahattoman käynnistyksen ja poistamalla sitten pienet kappaleet.
- ◆ Teränsuojus on tarkistettava aina ennen käyttöä ja aina huollon jälkeen oikean toiminnan varmistamiseksi. Tämä tarkistus on suoritettava sahan ollessa kytkettynä pois päältä ja akun ollessa irrotettuna. Vartta on kohotettava ja laskettava, jotta varmistetaan, että suojus peittää terän eikä terä kosketa suojusta. Jos suojus ei toimi oikein, korjauta sähkötyökalu ammattitaitoisella huoltoedustajalla. Selvitä lähin huoltoedustaja soittamalla STANLEY FATMAXin asiakaspalveluun.
- ◆ **Tämä jiirisaha on suunniteltu vain puun, muovin ja ei-rautapitoisen metallin sahaamiseen.** Älä käytä sahaa leikkaamaan muita materiaaleja kuin valmistajan suosittelema.
- ◆ Älä kosketa sahanterää työskentelyn jälkeen ennen kuin se on jäähtynyt. Sahanterästä tulee erittäin kuuma työstön aikana.



Varoitus! Muovin, pihkan peittämän puun ja muiden materiaalien leikkaaminen voi aiheuttaa sulaneiden materiaalien kerääntymisen terän kärkiin ja sahanterän runkoon, mikä voi lisätä terän ylikuumenemisen ja jumiumutuksen riskiä leikkauksessa.

Muiden henkilöiden turvallisuus

- ◆ Tämä laturi soveltuu yli 8-vuotiaiden lasten ja sellaisten henkilöiden käyttöön, joilla on fyysisiä tai älyllisiä rajoitteita tai aistirajoitteita, kuten myös laitteen toimintaan perehtymättömien henkilöiden käyttöön, jos heitä valvotaan tai jos he ovat saaneet laitteen turvalliseen käyttöön liittyvää opastusta ja ymmärtävät laitteen käyttöön liittyvät vaarat.

- ◆ Älä anna lasten leikkiä laitteella. Puhdistus- ja huoltotöitä ei saa jättää lapsille ilman valvontaa.

Jäännösriskit

Seuraavat riskit liittyvät sahojen käyttöön:

Turvamääräysten noudattamisesta ja turvalaitteiden käyttämisestä huolimatta tiettyjä vaaroja ei voida välttää. Näitä ovat:

- ◆ Pyöriävän tai liikkuvien osien koskettamisen aiheuttamat vahingot.
- ◆ Kuulon heikkeneminen.
- ◆ Onnettomuusriski, joka aiheutuu pyöriävän sahanterän peittämättömistä osista.
- ◆ Loukkaantumisen riski osia, teriä tai lisävarusteita vaihdettaessa.
- ◆ Sormien puristumisen riski suojuksia vaihdettaessa.
- ◆ Terveysriskit, jotka johtuvat puun sahausessa, erityisesti tammen, pyökin ja MDF-levyn, kertyvän pölyn hengittämisestä.
- ◆ Työkalun pitkäaikaisen käytön aiheuttamat vahingot. Pidä säännöllisiä taukoja työkalun pitkäaikaisen käytön aikana.

Melu

Ilmoitetut melupäästöarvot on mitattu standardin testausmenetelmän mukaisesti, ja niiden avulla voidaan vertailla työkaluja keskenään.

Ilmoitettuja melupäästöarvoja voidaan käyttää myös alustavassa altistumisen arvioinnissa.

Varoitus! Todelliset melupäästöt sähkötyökalun käytön aikana voivat poiketa ilmoitetuista arvoista työkalun käyttötavasta ja käsitellystä työstökappaleesta riippuen.

Varoitus! Käytä aina asianmukaisia kuulonsuojaimia.

Joissakin olosuhteissa ja käytön kestäessä tietyn aikaa tämä tuote voi vaikuttaa kuulon heikentymiseen. Huomioi seuraavat tekijät, jotka vaikuttavat melulle altistumiseen:

- ◆ käytä sahanteriä, jotka on suunniteltu vähentämään melua
- ◆ käytä vain hyvin teroitettuja sahanteriä
- ◆ käytä erityisesti melutason laskemiseen tarkoitettuja sahanteriä.

Työkalun tarrat

Työkalu sisältää seuraavat kuvakkeet sekä päivämääräkoodin:



Varoitus! Loukkaantumisen riskin vähentämiseksi käyttäjän on luettava tämä käyttöohje.



Käytä suojalaseja



Käytä kuulonsuojaimia



Käytä pölysuojainta



Tätä tuotetta ei ole tarkoitettu alle 16-vuotiaiden lasten käyttöön



Pidä kädet poissa terän ulottuvilta



Ei käsiä -vyöhyke – pidä sormet ja kädet poissa pyöriviltä sahanteriltä



Käytä suojakäsineitä käsitellessäsi sahanterää



Älä katso suoraan työvaloon

Sähköturvallisuus



Laturi on kaksoiseristetty, joten erillistä maadoitusta ei tarvita. Tarkista aina, että verkkojännite vastaa arvokilvessä ilmoitettua jännitettä. Älä yritä korvata laturiyksikköä tavallisella verkkopistokkeella.

- ◆ Jos virtajohto vahingoittuu, sen vaihtaminen on turvallisuussyistä jätettävä valmistajan tai valtuutetun Stanley FatMax -huoltopalvelun tehtäväksi.

Ominaisuudet

Tämä kone sisältää kaikki seuraavat ominaisuudet tai joitakin niistä.

1. Liipaisukytkin
2. Käyttökahva
3. Asennusriät
4. Alasuojus
5. Jiirin lukitusnappi
6. Jiirin lukituspainike
7. Uurroslevy
8. Kulma-asteikko
9. Kulma-asteikon ilmainen
10. Kuljetuskahvat
11. Rajasuoja
12. Viisteen lukitusnappi
13. Kiskot
- 13a. Tarrahihna
14. Pölynpoistoportti
15. Akku
16. Työvalon kytkin
17. Lukituksen vapautusvipu
18. Kiskon lukitusruuvi
19. Pidikkeen asennusreikä
20. Lukitustappi

Kokoaminen (kuva A)

Jiirisahan osat ovat esikoottuja.

- ◆ Avaa pakkaus ja nosta saha pakkauksesta käyttämällä sahan jalustassa olevia kuljetuskahvoja (10) (kuva A).
- ◆ Aseta saha tasaiselle alustalle, kuten työtasolle tai tukevalle pöydälle.
- ◆ Tarkista sahan rakenne ja sen eri osat tämän ohjekirjan sivulla 2 olevasta asennuskaaviosta. Säätöjä käsittelevä osio viittaa näihin termeihin, osat ja niiden sijainti tulee tuntea hyvin.
- ◆ Jiirin lukitusnappia (5) ei ole esiasennettu. Poista jiirin lukitusnappi (5) pakkauksesta ja ruuvaa se sahaan, katso sijainti kuvasta G ja J.
- ◆ Sahassa on sisäänrakennettu pölynpoistoportti (14), joka mahdollistaa pakkaukseen kuuluvan, mutta asentamattoman pölypussin (35) tai liikkeistä saatavan imujärjestelmän liittämisen (kuva N).

Akkua ja laturia koskevat lisäturvaohjeet

Varoitus! Laitteen kanssa tulee käyttää ainoastaan sen mukana toimitettua virtalähdettä.

Huomautus: Työkalun suositeltu käyttölämpötila on 4 °C - 40 °C.

Akut

- ◆ Älä koskaan yritä avata mistään syystä.
- ◆ Älä anna akun kastua.
- ◆ Älä säilytä akkuja tiloissa, joissa lämpötila voi nousta yli 40 °C:een.
- ◆ Lataa akku paikassa, jonka lämpötila on vähintään +10 °C ja enintään +40 °C.
- ◆ Lataa akku ainoastaan työkalun mukana toimitetulla laturilla.
- ◆ Noudata akkuja hävittäessäsi kohdassa "Ympäristönsuojelu" annettuja ohjeita.



Älä koskaan yritä ladata viollisia akkuja.

Laturit

- ◆ Käytä Stanley FatMax -laturia vain laitteen mukana toimitetun akun lataamiseen. Muut akut voivat räjähtää ja aiheuttaa henkilövahinkoja tai aineellisia vahinkoja.
- ◆ **Älä koskaan yritä ladata akkuja, joita ei ole tarkoitettu ladattaviksi.**
- ◆ **Vaihda violliset johdot välittömästi ehjiin.**
- ◆ Älä altista laturia vedelle.
- ◆ Älä avaa laturia.
- ◆ Älä työnnä mitään laturin sisään.



Laturi on tarkoitettu ainoastaan sisäkäyttöön.



Lue käyttöohjeet huolellisesti ennen laitteen käyttöä.

Uurroslevy (kuva J)

Uurroslevy (7) asennetaan pöytään 6 ruuvilla. Uurroslevyn (7) korkeutta ei voida säätää.

Huomautus: Jos uurroslevy (7) on kulunut, vaurioitunut tai sen vaihto on tarpeen, ainoastaan valtuutetut huoltoliikkeet tai STANLEY FATMAXin huoltopalvelu saa korjata sen.

Lukitustappi (kuva F)

Varoitus! Lukitustappia tulee käyttää VAIN sahaa kuljettaessa tai varastoidessa. ÄLÄ KOSKAAN käytä lukitustappia sahaustoimenpiteissä.

Huomautus: Käytä jiirisahan jalustan molemmilla puolilla olevia kuljetuskahvoja (10) jiirisahan nostamiseen, kuljettamiseen ja tukemiseen (kuva A).

Lukitse sahan pää ala-asentoon painamalla sahan päätä alaspäin, painamalla lukitustappia (20) sisään ja vapauttamalla sahan pään. Tällöin sahan pää pysyy turvallisesti alhaalla sahan kuljettamiseksi paikasta toiseen. Vapauta se painamalla sahan päätä alas ja vetämällä tappi ulos.

Varoitus! Varmista aina, että työkalu on kytketty pois päältä ja akku on irrotettu työkalusta ennen työkalun säätämistä tai toiminnan tarkistamista.

Akun lataaminen (kuva B)

Lataa akku ennen ensimmäistä käyttökertaa ja aina silloin, kun se ei enää tuota riittävästi virtaa toimintoihin, jotka aikaisemmin hoituivat helposti. Akku voi lämmetä ladattaessa. Tämä on normaalia, eikä se ole merkki mistään viasta.

Varoitus! Älä lataa akkua alle 10 °C tai yli 40 °C asteen lämpötilassa. Suositeltava latauslämpötila on 24 °C.







Huomautus: Laturi ei lataa akkua, jos akun kennon lämpötila on alle 10 °C tai yli 40 °C.

Akku tulee kuitenkin jättää laturiin. Laturi aloittaa lataamisen automaattisesti, kun kennon lämpötila nousee tai laskee riittävästi.

Huomautus: Jotta varmistat litiumioniakkujen parhaimman mahdollisen suorituskyvyn ja pitkän käyttöiän, akku tulee ladata täyteen ennen ensimmäistä käyttöä.

- ◆ Yhdistä laturi (21) sopivaan pistorasiaan ennen kuin laitat siihen akun (15).
- ◆ Vihreä latauksen merkkivalo (21a) vilkkuu jatkuvasti ilmoittaen, että latausprosessi on alkanut.
- ◆ Kun lataus on valmis, vihreä latauksen valo (21a) jää palamaan jatkuvasti. Akku (15) on täysin ladattu ja se voidaan poistaa, sitä voidaan käyttää heti tai sen voi jättää laturiin (21).
- ◆ Lataa akut viikon kuluessa tyhjentymisestä. Akkujen käyttöikä lyhenee merkittävästi, jos ne jätetään tyhjiksi pitkäksi aikaa.

Laturin LED-tilat

	Lataus käynnissä: Vilkkuva vihreä LED	
	Ladattu täyteen: Pysyvä vihreä LED	
	Akun kuuma-/kylmäviive: Vilkkuva vihreä LED Punainen vihreä LED	

Huomautus: Yhteensopiva(t) laturi(t) ei(eivät) lataa viallista akkua. Laturi ilmoittaa viallisesta akusta, kun se ei syty.

Huomautus: Tämä voi tarkoittaa myös laturivikaa. Jos laturi ilmoittaa ongelmasta, vie laturi ja akku testattavaksi valtuutettuun huoltopalveluun.

Akun jättäminen laturiin

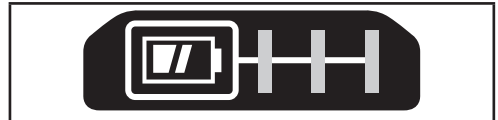
Akku voidaan jättää laturiin, kun merkkivalo palaa. Laturi pitää akun käyttövalmiina ja ladattuna.

Akun kuuma-/kylmäviive

Kun laturi tunnistaa liian kuuman tai kylmän akun, se käynnistää automaattisesti akun kuuma-/kylmäviiveen, vihreä LED-merkkivalo (21a) vilkkuu ja punainen merkkivalo LED (21b) palaa jatkuvasti, jolloin lataus keskeytyy, kunnes akku on saavuttanut oikean lämpötilan. Laturi siirtyy tämän jälkeen automaattisesti akun lataustilaan. Tämä toiminto takaa akun maksimaalisen käyttöiän.

Akun varaustilan merkkivalo (kuva C)

Akussa on varaustilan merkkivalo, joka mahdollistaa akun käyttöajan määrittämisen nopeasti kuvan B mukaisesti. Voit tarkistaa akun jäljellä olevan käyttöajan helposti painamalla varaustilan painiketta (15a) kuvan C mukaisesti.

**Akun kiinnittäminen ja irrottaminen (kuvat D, E)**

- ◆ Kiinnitä akku (15) asettamalla se samansuuntaisesti työkalussa olevaan kiinnityssyvennykseen (22). Liu'uta akkua kiinnityssyvennykseen, kunnes akku lukittuu paikalleen.
- ◆ Irrota akku painamalla akun vapautuspainiketta (15b) samalla kun vedät akkua irti liittämästä kuvan E mukaisesti.

Uuden sahanterän vaihtaminen tai asentaminen (kuvat G, H, I)

Varoitus! Vakavan henkilövahingon vaaran vähentämiseksi katkaise työkalusta virta ja poista akku ennen kuljettamista, säätämistä tai varusteiden irrottamista tai asentamista. Tahaton käynnistyminen aiheuttaa vahingon.

Terän poistaminen

- ◆ Irrota akku (15) sahasta.
- ◆ Nosta varsi yläasentoon ja nosta alasuojus (4) niin ylös kuin mahdollista.
- ◆ Löysää suojan kannattimen eturuuvia (24) sitä kuitenkaan poistamatta, kunnes kannatin (25) voidaan nostaa riittävän etäälle terän ruuviin (26) pääsemiseksi. Alasuoja jää yläasentoon suojan kannattimen ruuvin sijainnin vuoksi.
- ◆ Paina karan lukituspainiketta (28) ja kierrä samalla varoen sahanterää (29) käsin, kunnes lukko kytkeytyy päälle.
- ◆ Pidä painiketta alhaalla ja löysää terän ruuvia (26) toisella kädellä sekä käyttämällä toimitetun avaimen kuusiopuolta. (Käännä myötöpäivään, vasemmat kiertet.
- ◆ Poista terän ruuvi (26) käyttäen toimitetun avaimen kuusiopuolta, ulkoisen pidikkeen aluslaatta (30) sekä terä (29). Sisempi pidikkeen aluslaatta (31) voi olla vasemmalla karassa (32).

Terän asentaminen

- ◆ Irrota akku (15) sahasta.
- ◆ Kun varsi on ylhäällä, alasuoja (4) auki ja suojan kannatin (25) ylhäällä, aseta terä (29) karaan (32) ja sisäistä terän pidikettä (31) vasten niin, että terän hampaat osoittavat kiertosuuntaan sahan merkintöjen mukaisesti.
- ◆ Asenna ulkoinen pidikkeen aluslaatta (30) karaan (32).
- ◆ Asenna terän ruuvi (26) ja kiristä ruuvi (26) hyvin käyttämällä karan lukko (28) ja käyttämällä pakkauksen avainta (käännä vastapäivään, vasemmat kiertet).
- ◆ Palauta suojan kannatin (25) alkuperäiseen ala-asentoon ja kiristä suojan kannattimen ruuvi (24) hyvin kannattimen pitämiseksi paikoillaan.

Leikkauslinjan ohjausjärjestelmä

Varoitus! Älä katso työvaloon. Se voi aiheuttaa vakavan silmävamman.

Huomautus: Akku on ladattava ja liitettävä jiiirsahaan.

Leikkauslinjan ohjausjärjestelmä voidaan kytkeä päälle tai pois päältä vain työvalon kytkimellä (16).

Leikkaa puuhun liijykynällä merkittyä linjaa pitkin kytkemällä leikkauslinjan ohjausjärjestelmä päälle työvalon kytkimestä (16) (ei liipaisukytkimestä), vedä sitten käyttökahvaa (2) alaspäin sahanterän viemiseksi puun lähelle.

Terän varjo tulee näkyviin puukappaleeseen. Kyseinen varjon linja osoittaa kappaleen, jonka terä leikkaa pois sahaamisen aikana.

Jotta leikkaus tapahtuisi oikein kynällä merkittyä linjaa pitkin, kohdista kynällä merkitty linja terän varjon reunaan. Huomaa, että jiiiriä tai viistekulmia voi olla tarpeen säätää, jotta terä kohdistuisi tarkalleen piirrettyyn linjaan.

Saha ilmoittaa akkuvirheestä. Työvalo alkaa vilkkua, kun akkuvirta on loppumaisillaan tai akku on liian kuumaa. Vaihda akku ennen leikkaamisen jatkamista. Katso latausohjeet akun latausohjeiden kohdasta "Akkujen tärkeät turvallisuusohjeet".

Jiirin hallinta (kuva J)

Jiirin lukitusnuppi (5) ja lukituspainike (6) mahdollistavat sahan asettamisen 47° oikeaan ja 47° vasempaan kulmaan. Kulmalukitsin on automaattisesti asennossa 0°; 15°; 22,5°; 31,6 ja 45° sekä vasemmalla että oikealla. Aseta saha viistekulmaan avaamalla jiirin lukitusmekanismin kiertämällä jiirin lukitusnuppi (5) vastapäivään lukituksen avaamiseksi ja myötöpäivään sen lukitsemiseksi. Vedä jiirin lukituspainike (6) ylös ja aseta haluamasi viistekulma kulma-asteikkoon (8). Lukitse jiirin lukitusnuppi (5) kiertämällä sitä myötöpäivään.

Viisteen lukitusnuppi (kuva K)

Viisteen lukitusnupin avulla voit kallistaa sahan 48° vasempaan kulmaan. Säädä viisteasetus kääntämällä viisteen lukitusnuppi (12) vastapäivään sen löysäämiseksi. Kiristä se kiertämällä viisteen lukitusnuppi myötöpäivään.

Huomio! Puristumisvaara. Kiristä aina viisteen lukitusnuppi ennen ohitusten säätämistä.

Liipaisukytkin (kuva L)

Kytke saha päälle painamalla lukituksen vapautusvipua (17) vasemmalle, paina sitten liipaisukytkintä (1). Saha toimii kytkintä painettaessa. Anna terän saavuttaa täysi nopeus ennen sahaamista. Sammuta saha vapauttamalla kytkin. Anna terän pysähtyä ennen sahan pään nostamista. Kytkintä ei voida lukita päälle. Liipaisukytkimessä on reikä (1a) sahan lukitsemiseksi pois päältä riippulukolla.

Sahassa ei ole automaattista terän sähköjarrua, mutta sahanterä pysähtyy 5 sekunnin kuluessa liipaisukytkimen vapauttamisesta. Sitä ei voida säätää. Jos pysähtyminen kestää toistuvasti yli 5 sekuntia, anna valtuutetun Stanley FatMax -huoltopalvelun huoltaa työkalu.

Varmista aina, että terä on pysähtynyt ennen sen poistamista uurroslevystä.

Pölyn poisto (kuva M)

Varoitus! Vakavan henkilövahingon vaaran vähentämiseksi katkaise työkalusta virta ja poista akku ennen kuljettamista, säätämistä tai varusteiden irrottamista tai asentamista.

Tahaton käynnistyminen aiheuttaa vahingon. Sahassa on sisäänrakennettu pölynpoistoportti (14), joka mahdollistaa toimitetun pölypussin (35) tai liikkeistä saatavan imujärjestelmän liittämisen.

Pölypussin kiinnittäminen

- ◆ Asenna pölypussi (35) pölynpoistoporttiin (14) kuvan M mukaisesti.
- ◆ Imuputki (38 - ei kuulu pakkaukseen) voidaan asentaa pölynpoistoporttiin (14) pölypussin (35) sijaan. Tämä voidaan suorittaa asentamalla imuputki (38) paikoilleen pölypussin (35) sijaan, katso kuva M.
- ◆ Pidä imuputki (38) tarraihnan (13a) avulla kaukana liukukiskoista (13) sahan käyttämisen aikana.

Huomautus: Tarraihna (13a) ei ole kuljetuskahva eikä sitä saa käyttää sahan siirtämiseen tai kuljettamiseen.

Pölypussin tyhjentäminen

- ◆ Irrota pölypussi (35) sahasta, ravista pölypussia kevyesti tai napauta sitä sen tyhjentämiseksi.
- ◆ Asenna pölypussi takaisin pölynpoistoporttiin (14).

Kaikki pöly ei välttämättä irtoa pussista. Tämä ei vaikuta sahan suorituskykyyn, mutta sahan pölynpoistoteho heikkenee. Voit palauttaa sahan pölynpoistotohon painamalla jousen pölypussin sisään sen tyhjentämisen yhteydessä ja napauttamalla sitä roskakorin tai jäteastian sivuun.

Varoitus! Älä koskaan käytä tätä sahaa, jos pölypussi ei ole paikoillaan. Puusta syntyvä pöly voi aiheuttaa hengitysongelmia.

Sahalla leikkaaminen

Jos liukumistointoa ei käytetä, varmista, että sahanterä painetaan mahdollisimman taakse ja että kiskon lukitusruuvi (18) kiristetään. Tämä estää sahan liukumisen kiskoja pitkin työstökappaleen ollessa kytketty paikoilleen.

Huomautus: TÄLLÄ SAHALLA EI SAA LEIKATA RAUTAPITOISIA METALLEJA TAI KIVIAINEKSIA (TÄLLÄ SAHALLA VOIDAAN LEIKATA EI-RAUTAPITOISIA METALLEJA). Älä käytä hiovia teriä.

Huomautus: Katso ennen leikkaamista tärkeää tietoa alasuojasta "Säätäminen"-osion kohdasta "Suojan toiminta ja näkyvyys".

Poikkileikkaukset (kuva N)

Poikkileikkaus suoritetaan leikkaamalla puuta poikkisyin missä tahansa kulmassa. Suora poikkileikkaus suoritetaan kulmavarren ollessa nolla-asteessa. Aseta ja lukitse kulmavarsi nolla-asentoon, pidä puukappaletta tiukasti pöytä ja rajasuojaa vasten. Kun kiskon lukitusruuvi (18) on kiristetty, käännä sahaa painamalla liipaisukytkintä (1).

Kun saha saavuttaa täyden nopeuden (noin 1 sekunti), laske varsi tasaisesti ja hitaasti puun sahaamiseksi. Anna terän pysähtyä kokonaan ennen varren nostamista.

Kun leikattava kappaleen koko on yli 2 x 4 (51 x 102), käytä ulos-alas-taakse-liikettä kiskon lukitusruuvi (18) löysällä.

Vedä sahaa ulospäin itseäsi kohti, laske sahan pää alas työstökappaleeseen kohti ja paina hitaasti sahaa taaksepäin sahaustoimenpiteen suorittamiseksi. Älä anna sahanterän päästä kosketuksiin työstökappaleen yläosaan, kun vedät sitä ulospäin. Saha voi siirtyä itseesi päin ja aiheuttaa näin henkilövahinkoja tai vaurioittaa työstökappaletta.

Varoitus! Käytä aina työvalo hallinnan säilyttämiseksi ja työstökappaleen vaurioitumisvaaran ja henkilövahinkovaaran välttämiseksi, jos käsiesi on oltava 152 mm:n (6 tuuman) sisällä terästä sahausken aikana.

Huomautus! Kiskon lukitusnupin (18) on oltava löysällä, jotta saha pystyy liukumaan sen kiskoja pitkin.

Viisteiset poikkileikkaukset suoritetaan kulmavarren ollessa jossakin muussa kuin nollakulmassa.

Kulma on usein 45° kulmien toteuttamiseksi, mutta se voidaan asettaa nollasta 47° vasemmalle tai 47° oikealle. Suorita leikkaus yllä kuvatulla tavalla.

Kun jiirisahaat leveydeltään yli 2 x 6 kokoisia työstökappaleita, joiden pituus on tätä lyhyempi, aseta aina pitempi sivu rajasuojaa vasten (kuva O).

Sahaa puukappaleen viivamerkintää pitkin kohdistamalla kulma mahdollisimman tarkasti. Leikkaa puukappaletta hiukan pitemmälle ja mittaa etäisyys viivamerkinnästä leikkauksen reunaan määrittääksesi suunnan viistekulman säätämiseen uudelleen leikkausta varten. Tämä vaatii harjoittelua, mutta tekniikkaa käytetään yleisesti.

Viistoleikkaukset

Viistesahaus on poikkileikkaus, joka suoritetaan sahanterän ollessa kulmassa puukappaleeseen nähden. Aseta viistekulma löysäämällä viisteen lukitusnuppiä (12) ja siirrä sahaa vaadittu määrä vasemmalle. Kun olet asettanut haluamasi viistekulman, kiristä viisteen lukitusnuppi kireälle. Viistekulmat voidaan asettaa 3° oikealle ja 48° vasemmalle.

Sahausten laatu

Sahausten tasaisuus riippuu eri tekijöistä. Sahausten laatu riippuu esimerkiksi leikattavasta materiaalista, terän tyyppistä, terän terävyydestä sekä leikkauksenopeudesta. Kun haluat suorittaa mahdollisimman tasaisia sahauskia päällystistoihin ja muihin tarkkuustoihin, terävä (60 hampaan kovametallikärki) terä ja hitaampi ja tasainen sahausnopeus tuottavat odotetut tulokset.

Varmista, ettei materiaali siirry tai valu leikkauksen aikana, kiinnitä se hyvin paikoilleen.

Anna terän aina pysähtyä kokonaan ennen varren nostamista. Jos pieniä puukuituja tulee edelleen ulos työstökappaleen takaosasta, aseta puun leikkauskohtaan teippipala. Sahaa teipin läpi ja poista teippi varoen sahausken jälkeen.

Katso luettelosta erilaisiin leikkauksiin sahaasi suositeltavat sahanterät ja valitse niistä sopivin tarpeidesi mukaan. Katso osion "Valinnaiset lisävarusteet" kohta "Sahanterät".

Kehon ja käden asento (kuvat O1–O4)

Kehon ja käsien oikeaoppinen asento jiirisahan käytön aikana tekee sahaamisesta helpompaa, tarkempaa ja turvallisempaa. Älä koskaan aseta käsiäsi lähelle leikkausaluetta. Pidä kädet vähintään 152 mm:n (6 tuuman) päässä terästä. Pidä työstökappaletta tiukasti pöydällä ja rajasuojassa sahaamisen aikana. Pidä kätesi paikallaan, kunnes kytkin on vapautettu ja terä pysähtynyt kokonaan.

SUORITA AINA KUIVIA AJOJA (ILMAN VIRTAA) ENNEN SAHAUKSEN VIIMEISTELYÄ, JOTTA VOIT TARKISTAA TERÄN REITIN. ÄLÄ ASETA KÄSIÄ RISTIIN KUVAN O3 MUKAISESTI.

Pidä molemmat jalat vakaasti lattialla ja säilytä oikea tasapaino. Kun siirrät jiirisahaa vasemmalle ja oikealle, seuraa sitä ja seiso hiukan sahanterän vieressä. Katso suojuksen säleikön läpi seurattessasi liyykyknällä vedettyä sahauslinjaa.

Työstökappaleen kiinnittäminen

Varoitus! Vakavan henkilövahingon vaaran vähentämiseksi katkaise työkalusta virta ja poista akku ennen kuljettamista, säätämistä tai varusteiden irrottamista tai asentamista. Tahaton käynnistyminen aiheuttaa vahingon.

Varoitus! Ennen sahausta kiinnitetty, tasapainotettu ja varmistettu työstökappale voi olla epätasapainossa sahausken jälkeen. Epätasapainossa oleva kuormitus voi kallistaa sahaa tai kaikkia sahassa kiinni olevia kappaleita, kuten pöytää tai penkkiä. Kun sahaat kappaletta, joka voi mennä epätasapainoon, tue työstökappaletta oikein varmistaaksesi, että saha on tiukasti kiinni vakaassa tasossa. Vaarana on henkilövahinko.

Varoitus! Pidikkeen jalan on oltava kiinni sahan pohjan yläpuolella aina, kun pidikettä käytetään. Kiinnitä työstökappale aina sahan pohjaan – älä kiinnitä sitä mihinkään muuhun työalueen kohtaan. Varmista, ettei pidikkeen jalka ole kiinni sahan pohjan reunassa.

Varoitus! Käytä aina työvalo hallinnan säilyttämiseksi ja työstökappaleen vaurioitumisvaaran ja henkilövahinkovaaran välttämiseksi, jos käsiesi on oltava 152 mm:n (6 tuuman) sisällä terästä sahausken aikana. Jos työstökappaletta ei voida kiinnittää työtasoon ja rajasuojaa vasten käsin (epäsäännöllinen muoto, jne.), tai kätesi olisi alle 152 mm:n (6 tuuman) päässä terästä, on käytettävä pidikettä tai muuta kiinnityslaitetta.

Käytä sahan mukana toimitettua materiaalinpidikettä. Materiaalipidike on saatavilla paikalliselta jälleenmyyjältä tai Stanley FatMax -huoltopalvelusta. Muita apuvälineitä, kuten jousikirstimiä, tankokirstimiä tai C-pidikkeitä voidaan käyttää tietyin kokoisin ja muotoisiin materiaaleihin. Valitse ja aseta pidikkeet huolellisesti. Suorita koeleikkaus ennen varsinaista leikkaamista.

Pidikkeen asentaminen (kuva P)

- ◆ Aseta pidike (37) rajasuojan takana olevaan reikään (19). Pidikkeen on oltava jiirisahan takaosaan päin. Pidikkeen tangossa oleva ura tulee asettaa kokonaan pohjaan. Varmista, että ura on asetettu kokonaan jiirisahan pohjaan. Jos ura on näkyvissä, pidike ei ole tiukasti kiinni.
- ◆ Kierrä pidikettä 180° jiirisahan etuosaan päin.
- ◆ Löysää nuppia pidikkeen säätämiseksi ylös- tai alaspäin ja kiinnitä työstökappale tiukasti säätämällä hienosäädön nuppia.

Huomautus: Aseta pidike vastakkaiselle puolelle pohjaa viisteen saavuttamiseksi. SUORITA AINA KUIVIA AJOJA (ILMAN VIRTAA) ENNEN SAHAUKSEN VIIMEISTELYÄ, JOTTA VOIT TARKISTAA TERÄN REITIN. VARMISTA, ETTEI PIDIKE OL SAHAN TAI SUOJIEIN TIELLÄ.

Säätäminen

Jiirisaha säädetään kokonaan ja tarkasti tehtaalta valmistusprosessin aikana. Jos lisäsäädöt ovat tarpeen kuljetuksen tai käsittelyn tai muun syyn vuoksi, säädä saha noudattamalla alla olevia ohjeita.

Kun säädöt on suoritettu, ne jäkivät tarkoiksi. Noudata näitä ohjeita tarkoin sahan tarkkuuden säilyttämiseksi.

Kulma-asteikon säätäminen (kuva Q1)

Lukitse varsi ala-asentoon. Vapauta jiirin lukitusnuppi (5) ja käännä jiirin vartta, kunnes jiirin lukituspainike (6) lukitsee sen 0° viihasentoon. Älä lukitse viisteen lukitusnuppia. Aseta kulmaviivain sahan rajasuojaa ja terää vasten kuvan mukaisesti. (Älä koske terän hampaiden kärkiä kulmaviivaimella. Muutoin mittaustulos on epätarkka.) Jos sahanterä ei ole tarkalleen kohtisuorassa rajasuojaan nähden, löysää ja siirrä materiaalisuojaa, kunnes terä on kohtisuorassa rajasuojaan nähden viivaimella mitattuna. Älä välitä jiirin osoittimen luvusta tässä vaiheessa.

Viisteiviivin pöydän säätämiseen (kuva Q2)

Kohdistat terän viivain pöytään, lukitse varsi ala-asentoon lukitustapilla (20). Aseta viivain terää vasten ja varmista, ettei viivain ole hampaan päällä. Löysää viisteen lukitusnuppia (5) ja varmista, että varsi on tiukasti 0° viisteen pysäytintä vasten. Kierrä 0° viisteen säätöruuvia 1/2" (12,7 mm) kuusiokoloavaimella (ei kuulu pakkaukseen) tarpeen mukaan, jotta terä on 0° kulmassa pöytään kulmaviivaimen mittauksen mukaan.

Suojan toiminta ja näkyvyys (kuva V)

Varoitus! Puristumisvaara. Vältä henkilövahingot pitämällä peukaloa käyttökahvan alapuolella, kun kahvaa vedetään alaspäin. Alasuojus siirtyy ylöspäin, kun käyttökahvaa vedetään alaspäin. Tällöin on olemassa puristumisvaara. Sahan alasuojus (4) poistuu automaattisesti terän päältä, kun varsi viedään alas, ja se peittää terän, kun varsi nostetaan.

Kierrä vartta ennen jokaista käyttöä tai säätöjen jälkeen (ilman virtaa). Varmista, että suoja avautuu ongelmitta ja sulkeutuu kokonaan. Se ei saa koskettaa terää. Kun varsi on ylhäällä, nostaa suoja (ilman virtaa) kuten kuvassa V ja vapauttaa. Suojan tulee sulkeutua kokonaan nopeasti. Älä käytä sahaa, jos suoja ei liiku vapaasti ja sulje nopeasti kokonaan. Älä koskaan kiinnitä tai sido suoja auki sahan käytön aikana. Suojus voidaan nostaa käsin, kun sahanteriä asennetaan tai poistetaan tai sahaa halutaan tutkia. **ÄLÄ KOSKAAN NOSTA ALASUOJUSTA KÄSIN, ELLEI TERÄ OLE PYSÄHTYNYT.**

Huomautus: Suurien kappaleiden erityiset leikkaukset edellyttävät, että suoja nostetaan käsin. Katso kohta "Suurien materiaalien sahaus" osiosta "Erityiset sahaustoimenpiteet". Suojuksen etuosassa on säleikkö näkyvyyden parantamiseksi leikkaamisen aikana. Vaikka säleikkö vähentää huomattavasti lentävän jätteen määrää, suojuksessa on aukkoja ja suojalaseja tulee käyttää aina.

Kisko-ohjain

Tarkista kiskot (13) säännöllisesti välyksen varalta. Kiskot voidaan puhdistaa kuivalla puhtaalla liinalla.

Taulukehysten, laatikoiden ja muiden nelitahoisten esineiden leikkaaminen (kuvat R1, R2)

Suosittellemme kokeilemaan seuraavien esineiden toteuttamista ensin koekappaleisiin, kunnes olet tottunut sahan käyttöön paremmin. Tämä saha on täydellinen väline kulmien jiirisahaukseen, katso esimerkki kuvasta R1. Kohde A kuvassa R2 osoittaa liitoksen, joka on suoritettu säätämällä viistettä niin, että molempien levyjen reunat ovat 45° ja muodostavat 90° kulman. Tässä liitoksessa kulmavarsi lukittiin nolla-asentoon ja viisteen säätöarvoksi lukittiin 45°. Puukappale asetettiin laaja ja litteä puoli pöytää vasten ja kapea reuna rajasuojaa vasten. Sama leikkaus olisi voitu suorittaa myös jiirisahaamalla oikea ja vasen puoli laajan pinnan ollessa rajasuojaa vasten.

Verhoilulistojen ja muiden kehyksien sahaus (kuva R2)

Kohde B kuvassa R2 osoittaa liitoksen, joka on suoritettu asettamalla jiirin varsi 45° ja sahaamalla kaksi reunaa 90° kulman muodostamiseksi. Vastaavan liitoksen suorittamiseksi viisteen säätö on asetettava nolnaan ja jiirin varsi 45°. Puukappale asetetaan laaja ja litteä puoli pöytää vasten ja kapea reuna rajasuojaa vasten. Kuvat R1 ja R2 ovat ainoastaan nelisivuisia kohteita. Koska sivujen määrä muuttuu, muuttuvat myös jiirin kulma ja viistekulma. Alla oleva taulukko sisältää oikeat kulmat erilaisiin muotoihin.

Esimerkkejä

Sivujen lukumäärä	Jiirin kulma tai viistekulma
4	45°
5	36°
6	30°
7	25,7°
8	22,5°
9	20°
10	18°

Taulukossa odotetaan, että kaikki sivut ovat samanpituisia. Jos jotakin muotoa ei ole taulukossa, käytä seuraavaa kaaviota: 180° jaettuna sivujen lukumäärällä on jiirin kulma (jos materiaalia sahataan pystysuunnassa) tai viistekulma (jos materiaalia sahataan alustalla).

Yhdistetty jiiri- ja viistesahaus (kuva R3)

Yhdistetyssä sahauskessa käytetään jiirikulmaa ja viistekulmaa samanaikaisesti. Tätä sahaustyyppiä käytetään kehyksien tai laatikoiden sahaamiseen viistoilla sivuilla, katso esimerkki kuvasta R3.

Huomautus: Jos sahauskulma vaihtelee kappalekohtaisesti, tarkista, että viisteen lukitusnuppi ja jiirisahan lukituskahva on kiinnitetty hyvin. Ne on lukittava sen jälkeen, kun viistekulmaa tai jiirikulmaa on muutettu. Tämän ohjekirjan lopussa oleva taulukko 1 auttaa valitsemaan oikean viistekulman ja jiirisahan asetukset yleisissä yhdistelmäsahauskissa. Käytä taulukkoa valitsemalla haluamasi kulma A (kuva R3) ja määritä sen sijainti taulukon kaareissa. • Katso siitä kohdasta suoraan alas ja näet oikean viistekulman ja suoraan toisella puolella näet oikean jiirikulman. Aseta saha määritettyihin kulmiin ja suorita muutama harjoitus koekappaleisiin. Harjoittele leikattujen kappaleiden yhteen asettamista, kunnes totut menettelyyn ja osaat suorittaa sen varmuudella.

Esimerkki: Voit toteuttaa 4-puolisen laatikon 26° ulkoisilla kulmilla (kulma A, kuva R3) käyttämällä ylhäällä oikealla olevaa kaarta. Määritä 26° sijainti kaaren asteikossa. Seuraa vaakasuoraa viivaa pitkin kummallakin puolella määrittääksesi sahan jiirikulman (42°). Seuraa samalla tavoin pystysuoraa viivaa pitkin ylös tai alas määrittääksesi viistekulman sahaan (18°). Kokeile sahausta aina muutama koekappaleeseen sahan virheettömien asetusten varmistamiseksi.

Lattialistojen sahaus (kuva S)

Suorat 90°-sahaukset:

Aseta puukappale rajasuojaa vasten ja pidä sitä paikoillaan kuvan S mukaisesti. Kytke saha päälle ja anna sahan saavuttaa täysi nopeus ja laske vartta tasaisesti alas leikkauksen suorittamiseksi.

Lattialistan sahaus jopa 90 mm:n (3,5 tuuman) korkeudelle pystysuunnassa rajasuojaa vasten

Aseta materiaali kuvan S mukaisesti. Kaikki sahausket tulee suorittaa listan takaosa rajasuojaa vasten ja alaosa pöytää vasten.

	Sisäkulma	Ulkokulma
Vasen puoli	Viiste, vasen 45° Säästä leikkauksen vasen puoli	Viiste, oikea 45° Säästä leikkauksen vasen puoli
Oikea puoli	Viiste, oikea 45° Säästä leikkauksen oikea puoli	Viiste, vasen 45° Säästä leikkauksen oikea puoli

Korkeintaan 90 mm:n (3,5 tuuman) materiaalia voidaan sahata yllä kuvatulla tavalla.

Päälylistojen leikkaus

Jotta lista sopisi oikein, päälylistat tulee jiirisahata erittäin tarkasti sahausyhdistelmää käyttämällä.

Päälylistan kaksi tasapintaa ovat kulmissa, jotka muodostavat 90° kulman yhteen sovitettuina. Useimmissa päälylistoissa (ei kuitenkaan kaikissa) on ylempi takakulma (osio, joka sopii tasaisesti kattoa vasten) 52° ja alempi takakulma (osio, joka sopii tasaisesti seinää vasten) 38°. Tässä jiirisahassa on erityinen esiasetettu jiirin syvennys 31,6° vasemmalla ja oikealla päälylistojen sahaamiseksi oikeassa kulmassa. Viistoasteikolla on merkki myös arvossa 33,8°. Viisteasetus/leikkaustyyppi -taulukko sisältää oikeat asetukset päälylistojen leikkaamiseen. (Jiiri- ja viisteasetuksien luvut ovat erittäin tarkkoja ja niiden asettaminen tarkasti sahaan ei ole helppoa). Koska useimmissa huoneissa ei ole tarkalleen 90° kulmia, asetuksien hienosäätö on joka tapauksessa tarpeen.

Ohjeet päälylistojen sahaamiseen tasaisella alustalla ja yhdistelmätoimintoja käyttäen

- ◆ Aseta lista laajan takapinnan ollessa tasaisesti työtason päällä (36) (kuva T1).
- ◆ Alla olevat asetukset koskevat kaikkia standardeja päälylistoja, joiden kulmat ovat 52° ja 38°.

Jiirin asetus	Leikkaustyyppi
33,8°	VASEN PUOLI, SISÄKULMA: 1. Listan yläosa rajasuojaa vasten 2. Työtaso asetettu oikealle 31,62° 3. Säästä leikkauksen vasen puoli
33,8°	OIKEA PUOLI, SISÄKULMA: 1. Listan alaosa rajasuojaa vasten 2. Työtaso asetettu vasemmalle 31,62° 3. Säästä leikkauksen vasen puoli
33,8°	VASEN PUOLI, ULKOKULMA: 1. Listan alaosa rajasuojaa vasten 2. Työtaso asetettu vasemmalle 31,62° 3. Säästä leikkauksen oikea puoli

Jiirin asetus	Leikkaustyyppi
33,8°	OIKEA PUOLI, ULKOKULMA: 1. Listan yläosa rajasuojaa vasten 2. Työtaso asetettu oikealle 31,62° 3. Säästä leikkauksen oikea puoli

Huomautus: Kun jiiri- ja viistekulmia asetetaan yhdistettyyn jiiri- ja viistesahaukseen, huomaa, että listojen kulmat ovat erittäin tarkkoja ja niiden tarkka asetus on vaikeaa. Koska ne voivat siirtyä helposti ja harvoissa huoneissa on tarkalleen kohtisuorat kulmat, kaikkia asetuksia on testattava koekappaleisiin.

Vaihtoehtoinen tapa sahata päälylistoja

Aseta lista kulmaan rajasuojan (11) ja sahauspöydän (36) väliin listan yläpuolen ollessa pöydällä ja alapuolen ollessa rajasuojassa kuvan T1 mukaisesti.

Tämän listojen leikkaustavan etuna on, että viisteleikkausta ei tarvita. Jiirikulmaa voidaan muuttaa minuuteilla ilman, että se vaikuttaisi viistekulmaan. Kun muita kuin 90° kulmia esiintyy, saha voidaan säätää niihin nopeasti ja helposti.

Ohjeet sellaisten päälylistojen sahaukseen, jossa kulmat ovat rajasuojan ja sahan pohjan välissä kaikissa sahauskuksissa

Tämä saha voi leikata jopa 14 mm (9/16 tuuman) x 92 mm (3-5/8 tuuman) listoja.

- ◆ Aseta lista kulmaan niin, että sen alaosa (asennuksessa seinää vasten asetettava osa) on rajasuojaa (11) vasten ja listan yläosa on sahauspöytää (36) vasten kuvan T2 mukaisesti.
- ◆ Listan takaosassa olevien kulmittaisten "tasaisten osien" on oltava tiukasti rajasuojaa ja sahauspöytää (36) vasten.

	Sisäkulma	Ulkokulma
Vasen puoli	Viiste, oikea 45° Säästä leikkauksen oikea puoli	Viiste, vasen 45° Säästä leikkauksen oikea puoli
Oikea puoli	Viiste, vasen 45° Säästä leikkauksen vasen puoli	Viiste, oikea 45° Säästä leikkauksen vasen puoli

Erityiset sahaustoimenpiteet

Älä koskaan aloita sahausta, ellei materiaalia ole kiinnitetty hyvin pöytään ja rajasuojaa vasten.

Kaareva materiaali (kuvat U1, U2)

Kun sahaat taipunutta materiaalia, aseta se aina kuvan U1 mukaisesti, älä koskaan aseta sitä kuten kuvassa U2. Jos materiaali asetetaan virheellisesti, se puristaa terää leikkauksen loppupäässä.

Pyöreän materiaalin leikkaaminen

Pyöreä materiaali tulee kiinnittää tai sitä tulee pitää hyvin rajasuojaa vasten sen pyörimisen estämiseksi.

Tämä on erityisen tärkeää kulmikkaita sahaustoimenpiteitä suorittaessa.

Suuren materiaalien sahaus (kuva V)

Joskus sahattava puukappale voi olla liian suuri alasuojuksen alle. Jotta suoja voitaisiin nostaa pois puusta sahan ollessa pois päältä ja oikean käden ollessa käyttökahvassa, aseta oikea peukalo suojan yläosan ulkopuolelle ja vieritä suojaa ylöspäin riittävästi niin, että se poistuu puukappaleesta kuten kuvassa V. Vapauta suojus ennen moottorin käynnistämistä. Suojamekanismi toimii virheettömästi sahausken aikana. Suorita tämä ainoastaan tarvittaessa.

ÄLÄ KOSKAAN SIDO, TEIPPAA TAI PIDÄ MUULLA TAVALLA SUOJUSTA AUKKI SAHAN KÄYTÖN AIKANA.

Huolto

Varoitus! Vakavan henkilövahingon vaaran vähentämiseksi katkaise työkalusta virta ja poista akku ennen kuljettamista, säätämistä tai varusteiden irrottamista tai asentamista. Tahaton käynnistyminen aiheuttaa vahingon.

Varoitus! Vakavan henkilövahingon välttämiseksi terän teräviin osiin EI SAA koskea sormilla tai käsillä huollon aikana. ÄLÄ käytä voiteluaineita tai puhdistusaineita (erityisesti suihkeita tai aerosoleja) muovisen suojan läheisyydessä. Jotkin kemikaalit voivat vaikuttaa suojan polykarbonaattimateriaaliin.

- ◆ Kaikki laakerit on tiivistetty. Niissä on elinikäinen voitelu eivätkä ne vaadi huoltoa.
- ◆ Puhdista pöly ja puulastut säännöllisesti pohjan ja pyörivän pöydän ympäriltä JA ALTA. Vaikka laitteessa on aukkoja jäämien poistumista varten, pölyä kertyy jossakin määrin.
- ◆ Harjat kestävät useiden vuosien ajan. Jos niiden vaihto on jossakin vaiheessa tarpeen, vie työkalu lähimpään huoltopalveluun korjattavaksi.

Vianmääritys

Ongelma	Mahdollinen syy	Ratkaisu
Saha ei käynnisty.	Akkua ei ole asennettu.	Asenna akku. Katso kohta "Akun asentaminen ja irrotus".
	Akkua ei ole latautunut.	Lataa akku. Katso kohta "Lataaminen".
	Harjat ovat kuluneet.	Anna valtuutetun huoltopalvelun vaihtaa harjat.
Heikot sahaustulokset.	Tylsä terä.	Vaihda terä. Katso kohta "Uuden sahanterän vaihtaminen tai asentaminen".
	Terä asennettu taaksepäin.	Käännä terä. Katso kohta "Uuden sahanterän vaihtaminen tai asentaminen".
	Terässä pihkaa.	Irrota terä ja puhdista se karkealla teräsvillalla ja tärpätillä tai uunin puhdistusaineella.
	Vääränlainen terä työtoimenpiteisiin.	Vaihda terämällä.

Ongelma	Mahdollinen syy	Ratkaisu
Työvalo vilkkuu.	Akkua ei ole ladattu	Lataa akku. Katso kohta "Lataaminen".
Kone tärisee liikaa.	Saha ei ole asennettu tiukasti telineeseen tai työalustaan.	Kiristä kaikki kiinnitysosat. Katso kohta "Penkkiin asentaminen".
	Teline tai työalusta on epätasaisella alustalla.	Aseta se tasaiselle alustalle.
	Sahanterä on vaurioitunut.	Vaihda terä. Katso kohta "Uuden sahanterän vaihtaminen tai asentaminen".
Kulmasahaukset ovat epätarkkoja.	Kulma-asteikko on säädetty virheellisesti.	Tarkista ja säädä. Katso osion "Säätäminen" kohta "Kulma-asteikon säätäminen".
	Terä ei ole kohtisuorassa rajasuojaan.	Tarkista ja säädä. Katso osion "Säätäminen" kohta "Kulma-asteikon säätäminen".
	Terä ei ole kohtisuorassa työalustaan.	Tarkista ja säädä rajasuojaa. Katso osion "Säätäminen" kohta "Viisteiväin pöydän säätämiseen".
	Työstökappale liikkuu.	Kiinnitä työstökappale hyvin rajasuojaan tai liimaa rajasuojaan karkeudeltaan 120 hiekkapaperia käyttäen kumimenttiä.
	Uurroslevy on kulunut tai vaurioitunut.	Vie se valtuutettuun huoltoilikeeseen.
Materiaali tarttuu terään.	Kaarevan materiaalin leikkaaminen.	Katso osion "Erityiset sahaustoimenpiteet" kohta "Kaareva materiaali".

Ympäristön suojeleminen



Toimita tämä laite kierrätykseen. Tällä symbolilla merkityjä tuotteita ja akkuja ei saa hävittää tavallisen kotitalousjätteen mukana.

Tuotteissa ja akuissa on materiaaleja, jotka voidaan kerätä tai kierrättää uudelleen käyttöä varten. Kierrätä sähkölaitteet ja akut paikallisten määräysten mukaisesti. Lisätietoa on saatavilla osoitteessa www.2helpU.com

Tekniset tiedot

SFMCS701 (H1)			
Jännite	V		18
Nopeus	/min		3 800
Terän ulkoinen läpimitta	mm		190
Reiän halkaisija	mm		16
Terän lovi korkeintaan	mm		1,8
Paino ilman akkua	kg		10
Terän paksuus	mm		1,0
Viistetytys (maks. asennot)	°		47
Viistekulma (maks. asennot)	°		47
0 asteen jirikulma	vaakasuunnassa	mm	50 x 216
	pystysuunnassa	mm	90 x 15

45 asteen jiiirikulma oikealle	vaakasuunnassa	mm	50 x 152
	pystysuunnassa	mm	90 x 15
45 asteen jiiirikulma vasemmalle	vaakasuunnassa	mm	50 x 152
	pystysuunnassa	mm	90 x 15
45 asteen viistekulma vasemmalle	vaakasuunnassa	mm	50 x 152
	pystysuunnassa	mm	50 x 15

Akku		SFMCB201	SFMCB202	SFMCB204	SFMCB206
Jännite	V_{DC}	18	18	18	18
Teho	Ah	1,5	2,0	4,0	6,0
Tyyppi		Litiumioni	Litiumioni	Litiumioni	Litiumioni

Laturi		SFMCB11	SFMCB12	SFMCB14
Tulojännite	V_{AC}	230	230	230
Lähtöjännite	V_{DC}	18	18	18
Virta	A	1,25	2	4

Äänenpainetaso standardin EN 62841 mukaisesti:

L_{pA} (äänenpaine) 83,0 dB(A), epävarmuus (K) 3 dB(A)

L_{WA} (äänitehotaso) 94,5 dB(A), epävarmuus (K) 3 dB(A)

EU-vaatimustenmukaisuusvakuutus

KONEDIREKTIIVI



SFMC701 Langatan katkaisu- ja jiiirisaha liu'ulla Stanley Europe vakuuttaa, että nämä tuotteet täyttävät seuraavat määräykset:

EN62841-1:2015, EN62841-3-9:2015+A11:2017

Nämä tuotteet täyttävät myös direktiivien 2006/42/EY, 2014/30/EY ja 2011/65/EY.

Lisätietoja saa ottamalla STANLEY FATMAX seuraavassa osoitteessa. Tiedot ovat myös käyttöoppaan takakannessa.

Allekirjoittaja vastaa teknisistä tiedoista ja antaa tämän vakuutuksen seuraavan yhtiön puolesta:
STANLEY FATMAX.

Ed Higgins

Johtaja – Sähkötyökalut kuluttajille
Stanley Europe, Egide Walschaertsstraat 14-18,
2800 Mechelen, Belgia

08/05/2020

Takuu

Stanley Europe on vakuuttanut tuotteidensa korkeasta laadusta ja tarjoaa kuluttajille 12 kuukauden takuun, joka astuu voimaan ostopäivänä. Takuu on lisäys kuluttajan laillisiin oikeuksiin eikä vaikuta niihin. Tämä takuu on voimassa kaikissa EU- ja ETA-maissa.

Edellytyksenä takuun saamiselle on, että STANLEY FATMAX -ehdot ja että ostaja toimittaa ostotositteen jälleenmyyjälle tai valtuutetulle huoltoilikeelle. Stanley European yhden vuoden takuun ehdot ja lähimmän valtuutetun korjauspalvelun yhteystiedot ovat saatavilla osoitteessa www.2helpU.com tai ottamalla yhteyttä paikalliseen Stanley Europe -toimipisteeseen tässä ohjekirjassa ilmoitettuun osoitteisiin. Käy verkkosivuillemme osoitteessa www.stanley.eu/3 ja rekisteröi uusi STANLEY FATMAX -tuotteesi saadaksesi tietoa uusista tuotteista ja erikoistarjouksista.

(Μετάφραση των πρωτότυπων οδηγιών)

ΕΛΛΗΝΙΚΑ

Προβλεπόμενη χρήση

Το συρόμενο σύνθετο φαλσποπίριο STANLEY FATMAX SFMC701 είναι σχεδιασμένο για την κοπή μόνο ξύλου, πλαστικών και μη σιδηρούχων μετάλλων. Αυτό το εργαλείο προορίζεται για επαγγελματική και ιδιωτική, μη επαγγελματική χρήση.

Οδηγίες ασφαλείας

Γενικές προειδοποιήσεις ασφαλείας για ηλεκτρικά εργαλεία



Προειδοποίηση! Διαβάστε όλες τις προειδοποιήσεις ασφαλείας, τις οδηγίες, τις απεικονίσεις και τις προδιαγραφές που συνοδεύουν το ηλεκτρικό εργαλείο. Η μη τήρηση των προειδοποιήσεων και των οδηγιών που αναφέρονται παρακάτω μπορεί να έχει ως αποτέλεσμα ηλεκτροπληξία, πυρκαγιά και/ή σοβαρή σωματική βλάβη.

Φυλάξτε όλες τις προειδοποιήσεις και τις οδηγίες για μελλοντική αναφορά. Ο χαρακτηρισμός "ηλεκτρικό εργαλείο" που χρησιμοποιείται σε όλες τις παρακάτω προειδοποιήσεις αφορά είτε το εργαλείο που συνδέεται στην πρίζα (με καλώδιο) είτε το εργαλείο που λειτουργεί με μπαταρία (χωρίς καλώδιο).

1. Ασφάλεια χώρου εργασίας

- Διατηρείτε το χώρο που εργάζεστε καθαρό και καλά φωτισμένο.** Οι ατακτοποιητοί ή σκοτεινοί χώροι γίνονται αιτίες ατυχημάτων.
- Μη χρησιμοποιείτε ηλεκτρικά εργαλεία σε περιβάλλον όπου υπάρχει κίνδυνος έκρηξης, όπως παρουσία εύφλεκτων υγρών, αερίων ή σκόνης.**

Τα ηλεκτρικά εργαλεία παράγουν σπινθήρες που μπορεί να προκαλέσουν ανάφλεξη της σκόνης ή των αναθυμιάσεων.

- γ. Όταν χρησιμοποιείτε ηλεκτρικό εργαλείο, κρατάτε τα παιδιά και άλλα άτομα μακριά. Παράγοντες που αποσπούν την προσοχή μπορεί να σας κάνουν να χάσετε τον έλεγχο.

2. Ασφαλής χρήση ηλεκτρικού ρεύματος

- α. Τα φως των ηλεκτρικών εργαλείων πρέπει να ταιριάζουν στην πρίζα. Δεν επιτρέπεται με κανέναν τρόπο η μετασκευή του φως. Μη χρησιμοποιείτε φως προσαρμογής με γειωμένα ηλεκτρικά εργαλεία. Τα φως που δεν έχουν υποστεί τροποποιήσεις και οι κατάλληλες πρίζες μειώνουν τον κίνδυνο ηλεκτροπληξίας.
- β. Αποφεύγετε την επαφή του σώματός σας με γειωμένες επιφάνειες, όπως σωλήνες, καλοριφέρ, κουζίνες και ψυγεία. Υπάρχει αυξημένος κίνδυνος ηλεκτροπληξίας αν το σώμα σας γειωθεί.
- γ. Μην εκθέτετε τα ηλεκτρικά εργαλεία σε βροχή ή υγρασία. Η εισχώρηση νερού σε ηλεκτρικό εργαλείο αυξάνει τον κίνδυνο ηλεκτροπληξίας.
- δ. Μην κακομεταχειρίζεστε το καλώδιο. Μη χρησιμοποιείτε ποτέ το καλώδιο για να μεταφέρετε το εργαλείο, να το τραβήξετε ή να το αποσυνδέσετε από την πρίζα. Κρατάτε το καλώδιο μακριά από θερμότητα, λάδια, αιχμηρά άκρα ή κινούμενα μέρη. Τυχόν χαλασμένα ή μπερδεμένα καλώδια αυξάνουν τον κίνδυνο ηλεκτροπληξίας.
- ε. Όταν χρησιμοποιείτε ηλεκτρικό εργαλείο σε εξωτερικούς χώρους, να χρησιμοποιείτε πάντοτε καλώδιο πρόεκτασης κατάλληλο για χρήση σε εξωτερικούς χώρους. Η χρήση καλωδίου κατάλληλου για εργασία σε εξωτερικούς χώρους μειώνει τον κίνδυνο ηλεκτροπληξίας.
- στ. Εάν είναι αναπόφευκτη η χρήση ενός ηλεκτρικού εργαλείου σε συνθήκες υγρασίας, χρησιμοποιήστε μια διάταξη προστασίας από ρεύμα διαρροής (RCD). Η χρήση μιας διάταξης RCD μειώνει τον κίνδυνο ηλεκτροπληξίας.

3. Ατομική ασφάλεια

- α. Όταν χρησιμοποιείτε ηλεκτρικό εργαλείο, να είστε σε εγρήγορση, να συγκεντρώνετε στην εργασία που κάνετε και να επιστρατεύετε την κοινή λογική. Μη χρησιμοποιείτε ηλεκτρικό εργαλείο όταν είστε κουρασμένοι ή υπό την επήρεια ναρκωτικών ουσιών, οινοπνεύματος ή φαρμακευτικής αγωγής. Μια στιγμή απροσεξίας κατά τη χρήση ηλεκτρικών εργαλείων μπορεί να προκαλέσει σοβαρό τραυματισμό.
- β. Να χρησιμοποιείτε ατομικό εξοπλισμό προστασίας. Πάντα να φοράτε προστασία ματιών.

Ο εξοπλισμός προστασίας, όπως μάσκα κατά της σκόνης, αντιοιολιθητικά παπούτσια ασφαλείας, κράνος ή προστασία ακοής, όταν χρησιμοποιείται για τις κατάλληλες συνθήκες, θα μειώσει τους τραυματισμούς και τις σωματικές βλάβες.

- γ. Αποτρέψτε την ακούσια ενεργοποίηση. Βεβαιωθείτε ότι ο διακόπτης βρίσκεται στη θέση απενεργοποίησης πριν συνδέσετε το εργαλείο στην πηγή ρεύματος και/ή πριν τοποθετήσετε το πακέτο μπαταρίας, πριν πάρετε στα χέρια σας και πριν μεταφέρετε το εργαλείο. Η μεταφορά ηλεκτρικών εργαλείων με το δάκτυλο στο διακόπτη ή η σύνδεση εργαλείων στην πηγή ρεύματος με το διακόπτη στη θέση ενεργοποίησης ενέχουν κίνδυνο ατυχήματος.
- δ. Πριν θέσετε το ηλεκτρικό εργαλείο σε λειτουργία, αφαιρέστε τυχόν εργαλεία ή κλειδιά ρύθμισης. Αν ένα μηχανικό κλειδί ή κλειδί ρύθμισης ξεχαστεί συνδεδεμένο σε περιστρεφόμενο εξάρτημα του ηλεκτρικού εργαλείου, αυτό μπορεί να έχει ως αποτέλεσμα τραυματισμό ατόμων.
- ε. Μην τεντώνετε. Διατηρείτε πάντα σταθερή στήριξη στα πόδια σας και καλή ισορροπία. Έτσι μπορείτε να έχετε καλύτερο έλεγχο του ηλεκτρικού εργαλείου σε μη αναμενόμενες καταστάσεις.
- στ. Φοράτε κατάλληλη ενδυμασία εργασίας. Μη φοράτε ρούχα με φαρδιά εφαρμογή ή κοσμήματα. Κρατάτε τα μαλλιά, τα ρούχα και τα γάντια σας μακριά από κινούμενα μέρη. Τα χαλαρά ρούχα, τα κοσμήματα και τα μακριά μαλλιά μπορούν να πιαστούν σε κινούμενα μέρη.
- ζ. Αν παρέχονται διατάξεις για τη σύνδεση συστημάτων απομάκρυνσης και συλλογής της σκόνης, βεβαιωθείτε ότι αυτές είναι συνδεδεμένες και χρησιμοποιούνται κατάλληλα. Η χρήση διατάξεων συλλογής της σκόνης μπορεί να μειώσει τους κινδύνους που προέρχονται από τη σκόνη.
- η. Μην αφήνετε την εξοικείωση που έχετε αποκτήσει από τη συχνή χρήση εργαλείων να σας επιτρέψει να εφησυχάσετε ώστε να αγνοείτε τις αρχές ασφαλούς χρήσης των εργαλείων. Μια απρόσεκτη ενέργεια μπορεί να προκαλέσει βαρύ τραυματισμό μέσα σε κλάσματα του δευτερολέπτου.

4. Χρήση και φροντίδα ηλεκτρικών εργαλείων

- α. Μην υπερφορτώνετε το ηλεκτρικό εργαλείο. Χρησιμοποιείτε το σωστό ηλεκτρικό εργαλείο για την εφαρμογή. Το σωστό ηλεκτρικό εργαλείο θα εκτελέσει την εργασία καλύτερα και ασφαλέστερα, με την ένταση χρήσης για την οποία σχεδιάστηκε.
- β. Μη χρησιμοποιήσετε ηλεκτρικό εργαλείο αν ο διακόπτης του δεν μπορεί να το ενεργοποιεί και απενεργοποιεί. Οποιοδήποτε εργαλείο δεν μπορεί να ελεγχθεί μέσω του διακόπτη του, είναι επικίνδυνο και πρέπει να επισκευαστεί.

- γ. Αποσυνδέστε το φως από την πηγή ρεύματος και/ή το πακέτο μπαταρίας από το ηλεκτρικό εργαλείο, πριν διεξαγάγετε οποιαδήποτε ρύθμιση, αλλαγή εξαρτήματος ή όταν πρόκειται να αποθηκεύσετε το ηλεκτρικό εργαλείο. Τέτοια προληπτικά μέτρα ασφαλείας μειώνουν το κίνδυνο αθέλητης εκκίνησης του ηλεκτρικού εργαλείου.
- δ. **Να φυλάσσετε μακριά από παιδιά τα ηλεκτρικά εργαλεία που δεν χρησιμοποιείτε. Μην αφήνετε να χρησιμοποιήσουν ηλεκτρικό εργαλείο άτομα που δεν είναι εξοικειωμένα με αυτό ή άτομα που δεν έχουν διαβάσει αυτές τις οδηγίες χρήσης.** Τα ηλεκτρικά εργαλεία είναι επικίνδυνα στα χέρια μη εκπαιδευμένων χρηστών.
- ε. **Συντηρείτε τα ηλεκτρικά εργαλεία και τα αξεσουάρ. Ελέγχετε για προβλήματα ευθυγράμμισης ή για μάγκωμα των κινούμενων εξαρτημάτων, θραύση εξαρτημάτων, καθώς και για οποιοδήποτε άλλο πρόβλημα μπορεί να επηρεάσει τη λειτουργία των ηλεκτρικών εργαλείων. Αν το ηλεκτρικό εργαλείο έχει υποστεί ζημιά, φροντίστε να επισκευαστεί πριν το χρησιμοποιήσετε.** Η ανεπαρκής συντήρηση των ηλεκτρικών εργαλείων αποτελεί αιτία πολλών ατυχημάτων.
- στ. **Διατηρείτε τα κοπτικά εργαλεία κοφτερά και καθαρά.** Τα κατάλληλα συντηρημένα εργαλεία κοπής με αιχμηρά άκρα κοπής έχουν μικρότερες πιθανότητες να μαγκώσουν και ελέγχονται ευκολότερα.
- ζ. **Να χρησιμοποιείτε το ηλεκτρικό εργαλείο, τα αξεσουάρ και τις μύτες των εργαλείων κλπ. σύμφωνα με τις παρούσες οδηγίες, λαμβάνοντας υπόψη σας τις συνθήκες εργασίας και την εργασία που θέλετε να εκτελέσετε.** Η χρήση του ηλεκτρικού εργαλείου για εργασίες διαφορετικές από τις προβλεπόμενες θα μπορούσε να οδηγήσει σε επικίνδυνη κατάσταση.
- η. **Διατηρείτε τις λαβές και τις επιφάνειες κρατήματος στεγνές, καθαρές και απαλλαγμένες από λάδι και γράσο.** Οι ολισθηρές λαβές και οι λερωμένες με γράσο επιφάνειες δεν επιτρέπουν τον ασφαλή χειρισμό και έλεγχο του εργαλείου σε μη αναμενόμενες καταστάσεις.
5. **Χρήση και φροντίδα εργαλείων μπαταρίας**
- α. **Να επαναφορτίζετε μόνο με το φορτιστή που καθορίζει ο κατασκευαστής.** Ένας φορτιστής που είναι κατάλληλος για ένα τύπο πακέτου μπαταρίας μπορεί να δημιουργήσει κίνδυνο πυρκαγιάς όταν χρησιμοποιείται με άλλο πακέτο μπαταρίας.
- β. **Χρησιμοποιείτε τα ηλεκτρικά εργαλεία αποκλειστικά και μόνο με τα καθοριζόμενα πακέτα μπαταρίας.** Η χρήση άλλων πακέτων μπαταρίας μπορεί να προκαλέσει κίνδυνο τραυματισμού και πυρκαγιάς.
- γ. **Όταν το πακέτο μπαταρίας δεν χρησιμοποιείται, κρατάτε το μακριά από άλλα μεταλλικά αντικείμενα, όπως συνδετήρες, κέρματα, κλειδιά, καρφιά, βίδες ή άλλα μικρά μεταλλικά αντικείμενα που μπορούν να βραχυκυκλώσουν τους δύο ακροδέκτες του.** Εάν βραχυκυκλώσουν οι πόλοι της μπαταρίας μπορεί να προκληθούν εγκαύματα ή πυρκαγιά.
- δ. **Αν οι μπαταρίες υποστούν κακομεταχείριση, μπορεί να διαρρεύσει υγρό. Αποφύγετε την επαφή. Αν κατά λάθος έρθετε σε επαφή, ξεπλύνετε με νερό. Αν το υγρό έρθει σε επαφή με τα μάτια, ζητήστε επιπλέον και ιατρική βοήθεια.** Το υγρό που εξέρχεται από τη μπαταρία μπορεί να προκαλέσει ερεθισμούς ή εγκαύματα.
- ε. **Μην χρησιμοποιήσετε πακέτο μπαταρίας ή εργαλείο που έχει υποστεί ζημιά ή τροποποίηση.** Οι μπαταρίες που έχουν υποστεί ζημιά ή τροποποίηση μπορεί να έχουν απρόβλεπτη συμπεριφορά, με αποτέλεσμα φωτιά, έκρηξη ή κίνδυνο τραυματισμού.
- στ. **Μην εκθέσετε ένα πακέτο μπαταρίας ή εργαλείο σε φωτιά ή υπερβολική θερμοκρασία.** Η έκθεση σε φωτιά ή σε θερμοκρασία πάνω από 130 °C μπορεί να προκαλέσει έκρηξη.
- ζ. **Τηρείτε όλες τις οδηγίες φόρτισης και μη φορτίζετε το πακέτο μπαταρίας ή το εργαλείο εκτός των ορίων θερμοκρασίας που ορίζονται στις προδιαγραφές.** Η ακατάλληλη φόρτιση ή η φόρτιση σε θερμοκρασίες εκτός των προβλεπόμενων ορίων μπορεί να προενηύσει ζημιά στην μπαταρία και να αυξήσει τον κίνδυνο φωτιάς.
6. **Σέρβις**
- α. **Το σέρβις του ηλεκτρικού σας εργαλείου πρέπει να αναλαμβάνει έμπειροι τεχνικοί που χρησιμοποιεί μόνο γνήσια ανταλλακτικά.** Έτσι θα εξασφαλίσετε τη διατήρηση της ασφάλειας του ηλεκτρικού εργαλείου.
- β. **Ποτέ μην κάνετε σέρβις σε πακέτα μπαταρίας που έχουν υποστεί ζημιά.** Το σέρβις των πακέτων μπαταρίας πρέπει να γίνεται μόνο από τον κατασκευαστή ή από εξουσιοδοτημένους παρόχους σέρβις.
- Οδηγίες ασφαλείας για φालτσοπρίονα**
- ◆ Τα φάλτσοπρίονα προορίζονται για κοπή ξύλου ή προϊόντων παρόμοιων με ξύλο και δεν μπορούν να χρησιμοποιηθούν με λειαντικούς τροχούς κοπής για την κοπή σιδηρούχων υλικών όπως σιδερένιοι οπλισμοί, ράβδων, μπουζινιών κλπ. Η σκόνη από τη λείανση προκαλεί το κόλλημα κινούμενων εξαρτημάτων όπως είναι ο κάτω προφυλακτήρας. Οι σπινθηρές από την κοπή με λείανση θα κάψουν τον κάτω προφυλακτήρα, το ένθετο εντομής κοπής και άλλα πλαστικά εξαρτήματα.
 - ◆ **Να χρησιμοποιείτε σφικτήρες για την υποστήριξη του αντικείμενου εργασίας, όταν αυτό είναι εφικτό.**

- Αν υποστηρίζετε το αντικείμενο εργασίας με το χέρι, πρέπει να κρατάτε το χέρι σας τουλάχιστον 100 mm από οποιαδήποτε πλευρά της λεπίδας πριονιού. **Μη χρησιμοποιείτε αυτό το πριόνι για να κόψετε τεμάχια που είναι πολύ μικρά για να στερεωθούν ή να κρατηθούν με το χέρι με ασφάλεια.** Αν τοποθετήσετε το χέρι σας πολύ κοντά στη λεπίδα πριονιού, υπάρχει αυξημένος κίνδυνος τραυματισμού από την επαφή με τη λεπίδα.
- ◆ Το αντικείμενο εργασίας πρέπει να είναι ακίνητο και συσφιγμένο ή να συγκρατείται σε σφιχτή επαφή τόσο με τον οδηγό όσο και με το τραπέζι. Μην προωθείτε το αντικείμενο εργασίας προς τη λεπίδα ούτε να κόβετε με οποιουδήποτε είδους "ελεύθερη κίνηση με το χέρι". Τα αντικείμενα εργασίας που δεν συγκρατούνται ή που κινούνται θα μπορούσαν να εκτιναχθούν με υψηλή ταχύτητα, προκαλώντας τραυματισμό.
 - ◆ Σπρώχνετε το πριόνι ώστε να διασχίσει το αντικείμενο εργασίας. Μην τραβάτε το πριόνι για να διασχίσει το αντικείμενο εργασίας. Για να πραγματοποιήσετε μια κοπή, ανυψώστε την κεφαλή πριονιού και τραβήξτε την έξω, πάνω από το αντικείμενο εργασίας χωρίς να κόψετε, θέστε σε λειτουργία το μοτέρ, πιάστε την κεφαλή πριονιού προς τα κάτω και σπρώξτε το πριόνι ώστε να διασχίσει το αντικείμενο εργασίας. Η κοπή κατά την κίνηση έλξης πιθανότατα θα κάνει το πριόνι να αναρριχηθεί πάνω στο αντικείμενο εργασίας και να εκτινάξει βίαια το συγκρότημα λεπίδας προς το χειριστή.
 - ◆ Ποτέ μη διασταυρώνετε τα χέρια σας πάνω από την επιθυμητή γραμμή κοπής είτε μπροστά είτε πίσω από τη λεπίδα πριονιού. Η υποστήριξη του αντικείμενου εργασίας με "τα χέρια σταυρωμένα" δηλ. κρατώντας το αντικείμενο εργασίας προς τα δεξιά της λωρίδας πριονιού με το αριστερό χέρι ή αντίστροφα, είναι πολύ επικίνδυνη πρακτική.
 - ◆ Όσο περιστρέφεται η λεπίδα, μην τοποθετείτε κανένα από τα χέρια σας στην περιοχή πίσω από τον οδηγό πιο κοντά από 100 mm από οποιαδήποτε πλευρά της λεπίδας πριονιού, για εργασίες όπως αφαίρεση υπολειμμάτων ξύλου ή για οποιονδήποτε άλλο λόγο. Η εγγύτητα της περιστρεφόμενης λεπίδας πριονιού με το χέρι σας μπορεί να μην είναι εμφανής και μπορεί να τραυματιστείτε σοβαρά.
 - ◆ Επιθεωρήστε το αντικείμενο εργασίας πριν την κοπή του. Αν το αντικείμενο εργασίας είναι κυρτωμένο ή παραμορφωμένο, συσφίξτε το με την εξωτερική κυρτωμένη πλευρά προς τον οδηγό. Πάντα να βεβαιώνετε ότι δεν υπάρχει διάκενο μεταξύ του αντικείμενου εργασίας, του οδηγού και του τραpezιού κατά μήκος της γραμμής κοπής.

Τα κυρτωμένα ή παραμορφωμένα αντικείμενα εργασίας μπορεί να περιστραφούν ή να μετακινηθούν προκαλώντας μάγκωμα στην περιστρεφόμενη λεπίδα πριονιού κατά την κοπή. Δεν πρέπει να υπάρχουν καρφιά ή ξένα αντικείμενα στο αντικείμενο εργασίας.

- ◆ **Μη χρησιμοποιήσετε το πριόνι έως ότου το τραπέζι έχει καθαριστεί από όλα τα εργαλεία, υπολείμματα ξύλου κλπ. εκτός από το αντικείμενο εργασίας.** Τα μικρά υπολείμματα ή χαλαρά κομμάτια ξύλου ή άλλα αντικείμενα, αν έρθουν σε επαφή με την περιστρεφόμενη λεπίδα, μπορεί να εκτιναχτούν με υψηλή ταχύτητα.
- ◆ **Κόβετε μόνο ένα αντικείμενο εργασίας τη φορά.** Τα στοίβαγμένα πολλαπλά αντικείμενα εργασίας δεν μπορούν να συσφιχτούν ή να στηριχτούν ικανοποιητικά και μπορεί να μαγκώσουν στη λεπίδα ή να μετακινηθούν κατά τη διάρκεια της κοπής.
- ◆ **Βεβαιωθείτε πριν τη χρήση ότι το φάλτσοπριόνι έχει στερεωθεί ή τοποθετηθεί, πάνω σε οριζόντια, σταθερή επιφάνεια εργασίας.** Μια οριζόντια και σταθερή επιφάνεια εργασίας μειώνει τον κίνδυνο απώλειας της ευστάθειας του φάλτσοπριονιού.
- ◆ **Σχεδιάστε εκ των προτέρων την εργασία σας.** Κάθε φορά που αλλάζετε τη ρύθμιση γωνίας φάλτσοκοπής ή λοξής κοπής, να βεβαιώνετε ότι ο ρυθμιζόμενος οδηγός έχει ρυθμιστεί σωστά ώστε να υποστηρίζει το αντικείμενο εργασίας και να μην εμποδίζει ούτε τη λεπίδα ούτε το σύστημα προφύλαξης. Χωρίς να ενεργοποιήσετε το εργαλείο και χωρίς αντικείμενο εργασίας στο τραπέζι, κινήστε τη λεπίδα πριονιού σε μια πλήρη προσομοιωμένη κοπή για να βεβαιωθείτε ότι δεν θα υπάρξει επαφή με τον οδηγό ή κίνδυνος κοπής του.
- ◆ **Παρέχετε επαρκή υποστήριξη όπως επεκτάσεις τραpezιού, στηρίγματα πριονιού κλπ. για ένα αντικείμενο εργασίας που έχει πλάτος ή μήκος μεγαλύτερο από την επιφάνεια του τραpezιού.** Τα αντικείμενα εργασίας που έχουν πλάτος ή μήκος μεγαλύτερο από το τραπέζι του φάλτσοπριονιού μπορεί να πάρουν κλίση αν δεν υποστηρίζονται κατάλληλα. Αν πάρει κλίση το κομμένο τμήμα ή το αντικείμενο εργασίας, μπορεί να ανυψώσει τον κάτω προφυλακτήρα ή να εκτιναχτεί από την περιστρεφόμενη λεπίδα.
- ◆ **Μη χρησιμοποιείτε δεύτερο άτομο ως υποκατάστατο μιας επέκτασης τραpezιού ή για πρόσθετη στήριξη.** Η ασταθής υποστήριξη του αντικείμενου εργασίας μπορεί να κάνει τη λεπίδα να μαγκώσει ή το αντικείμενο εργασίας να μετακινηθεί κατά τη διάρκεια της εργασίας κοπής, τραβώντας και εσάς και το βοηθό σας προς την περιστρεφόμενη λεπίδα.
- ◆ **Το κομμένο τμήμα δεν πρέπει να σφηνωθεί ή να πιεστεί με οποιοδήποτε μέσο προς την περιστρεφόμενη λεπίδα πριονιού.** Αν περιοριστεί, π.χ. με χρήση στοπ μήκους, το κομμένο τμήμα θα μπορούσε να σφηνώσει στη λεπίδα και να εκτιναχτεί βίαια.

- ♦ Πάντα να χρησιμοποιείτε σφινκτήρα ή διάταξη που έχει σχεδιαστεί για να υποστηρίζει κατάλληλα τα στρογγυλά υλικά όπως ράβδους ή σωληνώσεις. Η ράβδοι έχουν την τάση να κυλούν ενώ κόβονται, προκαλώντας μάγκωμα της λεπίδας και τράβηγμα του αντικείμενου εργασίας μαζί με το χέρι σας προς τη λεπίδα.
- ♦ Αφήστε τη λεπίδα να επιτύχει την πλήρη της ταχύτητα πριν τη φέρετε σε επαφή με το αντικείμενο εργασίας. Με αυτόν τον τρόπο θα μειωθεί ο κίνδυνος εκτίναξης του αντικείμενου εργασίας.
- ♦ Αν σφηνώσει το αντικείμενο εργασίας ή η λεπίδα, απενεργοποιήστε το φάλτσοπρίονο. Περιμένετε να σταματήσουν όλα τα κινούμενα μέρη και αποσυνδέστε το φως από την πηγή ρεύματος και/ή αφαιρέστε το πακέτο μπαταρίας. Κατόπιν εργασείτε για την απελευθέρωση του σφηνωμένου υλικού. Η συνέχιση της κοπής με σφηνωμένο αντικείμενο εργασίας θα μπορούσε να προκαλέσει απώλεια του ελέγχου ή ζημιά στο φάλτσοπρίονο.
- ♦ Αφού ολοκληρώσετε την κοπή, ελευθερώστε το διακόπτη, κρατήστε την κεφαλή πριονιού κάτω και περιμένετε να σταματήσει η λεπίδα πριν αφαιρέσετε το κομμένο τεμάχιο. Είναι επικίνδυνο να πλησιάσετε το χέρι σας στη λεπίδα που δεν έχει σταματήσει ακόμα να κινείται.

Συμπληρωματικές οδηγίες ασφαλείας για φάλτσοπρίονα

- ♦ Η προβλεπόμενη χρήση περιγράφεται στο παρόν εγχειρίδιο οδηγιών. Η χρήση οποιουδήποτε αξεσουάρ ή προσαρτήματος ή η εκτέλεση με αυτό το εργαλείο οποιασδήποτε άλλης εργασίας πέραν από αυτές που συνιστώνται στο παρόν εγχειρίδιο οδηγιών ενδέχεται να εγκυμονεί κίνδυνο τραυματισμού και/ή υλικών ζημιών.
- ♦ Μη χρησιμοποιείτε λεπίδες που παρουσιάζουν ρωγμές/ λύνισμα/ ζημιές/ παραμορφώσεις.
- ♦ Αντικαταστήστε την πλάκα εντομής όταν φθαρεί.
- ♦ Μη χρησιμοποιείτε λεπίδες μεγαλύτερης ή μικρότερης διαμέτρου από τη συνιστώμενη. Για τη σωστή διαβάθμιση της λεπίδας ανατρέξτε στα τεχνικά χαρακτηριστικά. Χρησιμοποιείτε μόνο τις λεπίδες που προβλέπονται στο παρόν εγχειρίδιο οδηγιών, σε συμμόρφωση με το πρότυπο EN 847-1.
- ♦ Μη χρησιμοποιείτε λεπίδες πριονιού από ταχυχάλυβα (HSS).



Προειδοποίηση! Η επαφή με τα διάφορα είδη σκόνης που δημιουργούν οι εφαρμογές κοπής με πρίονι ή η εισπνοή της σκόνης αυτής μπορεί να ενέχει κίνδυνο για την υγεία του χειριστή και των ατόμων που ενδεχομένως παρευρίσκονται.

Φορέστε μάσκα σκόνης ειδικά σχεδιασμένη για προστασία έναντι της σκόνης και των αναθυμιάσεων και βεβαιωθείτε ότι τα άτομα που βρίσκονται ή εισέρχονται στο χώρο εργασίας είναι επίσης προστατευμένα.

- ♦ Μη εργάζεστε με υλικά τα οποία περιέχουν αμιάντο. Ο αμιάντος θεωρείται καρκινογόνος.
- ♦ Φοράτε γάντια όταν χειρίζεστε λεπίδες πριονιού και τραχιά υλικά (οι λεπίδες πρέπει να μεταφέρονται σε θέση όπου είναι πρακτικό).
- ♦ Φοράτε προστασία ακοής για να μειώσετε τον κίνδυνο πρόκλησης βλάβης της ακοής.
- ♦ Εξετάστε το ενδεχόμενο χρήσης λεπίδων ειδικά σχεδιασμένων για μείωση του θορύβου.
- ♦ Φοράτε προστασία ματιών για να μειώσετε τον κίνδυνο τραυματισμού.
- ♦ Χρησιμοποιείτε την παρεχόμενη σακούλα συλλογής σκόνης όταν πριονίζετε ξύλο.
- ♦ Κρατάτε το ηλεκτρικό εργαλείο από μονωμένες επιφάνειες λαβής όταν εκτελείτε μια εργασία όπου το αξεσουάρ κοπής μπορεί να έρθει σε επαφή με αθέατα καλώδια ή με το ίδιο του το καλώδιο. Ένα εξάρτημα κοπής το οποίο έρχεται σε επαφή με ηλεκτροφόρο καλώδιο μπορεί να καταστήσει και τα εκτεθειμένα μεταλλικά μέρη του ηλεκτρικού εργαλείου ηλεκτροφόρα και να προκαλέσει ηλεκτροπληξία στο χειριστή του
- ♦ Επιλέξτε τη σωστή λεπίδα για το υλικό που πρόκειται να κόψετε.
- ♦ Μη χρησιμοποιήσετε το μηχάνημα χωρίς τον προφυλακτήρα στη θέση του. Μη χρησιμοποιήσετε το μηχάνημα εάν ο προφυλακτήρας δεν λειτουργεί σωστά ή δεν έχει συντηρηθεί σωστά.
- ♦ Βεβαιωθείτε ότι ο βραχίονας είναι καλά στερεωμένος όταν εκτελείτε φάλτσοκοπές.
- ♦ Πριν από κάθε κοπή, βεβαιωθείτε ότι το μηχάνημα είναι σταθερό.
- ♦ Διατηρείτε τις λαβές στεγνές, καθαρές, χωρίς λάδι και γράσο.
- ♦ Διατηρήστε το χώρο που περιβάλλει το μηχάνημα σε καλή κατάσταση και ελεύθερο από υλικά όπως πριονίδια και υπολείμματα κοπής.
- ♦ Εξασφαλίστε ότι το μηχάνημα και ο χώρος εργασίας διαθέτουν επαρκή γενικό και τοπικό φωτισμό.
- ♦ Μην επιτρέπετε σε άτομα χωρίς κατάλληλη εκπαίδευση να χρησιμοποιούν το μηχάνημα.
- ♦ Εξασφαλίστε ότι η λεπίδα έχει τοποθετηθεί σωστά πριν από τη χρήση. Βεβαιωθείτε ότι η λεπίδα περιστρέφεται στη σωστή κατεύθυνση. Διατηρείτε τη λεπίδα κοφτερή. Ακολουθήστε τις οδηγίες σε ό,τι αφορά τη λίπανση και την αλλαγή των εξαρτημάτων.
- ♦ Βεβαιωθείτε ότι η ταχύτητα που αναφέρεται πάνω στη λεπίδα πριονιού είναι τουλάχιστον ίση με την ταχύτητα που αναφέρεται πάνω στο πρίονι.

- ◆ Διασφαλίστε ότι τυχόν αποστάτες και δακτύλιοι άξονα που χρησιμοποιούνται είναι κατάλληλοι για το σκοπό αυτό, όπως δηλώνεται από τη STANLEY FATMAX.
- ◆ Οι επισκευές στο σύστημα καθοδήγησης στη γραμμή κοπής θα πρέπει να γίνονται από εξουσιοδοτημένα κέντρα επισκευών ή από το προσωπικό σέρβις της STANLEY FATMAX.
- ◆ Αφαιρέστε την μπαταρία από το μηχάνημα πριν εκτελέσετε οποιαδήποτε συντήρηση ή όταν αλλάζετε τη λεπίδα.
- ◆ Ποτέ μην πραγματοποιείτε οποιαδήποτε εργασία καθαρισμού, συντήρησης, αφαίρεσης υπολειμμάτων κοπής ή άλλων τμημάτων του αντικειμένου εργασίας από την περιοχή κοπής, όταν το μηχάνημα είναι σε λειτουργία και η κεφαλή κοπής δεν βρίσκεται στη θέση ηρεμίας.
- ◆ Όταν είναι δυνατόν, πάντα στερεώστε το μηχάνημα σε πάγκο.
- ◆ Βεβαιωθείτε ότι όλα τα περιστροφικά κουμπιά και οι λαβές ασφάλισης έχουν σφιχτεί, πριν ξεκινήσετε οποιαδήποτε εργασία.
- ◆ Ποτέ μη χρησιμοποιήσετε το πριόνι σας χωρίς το ένθετο τραπέζιου.
- ◆ Ποτέ μην αποπειραθείτε να σταματήσετε απότομα ένα μηχάνημα σε κίνηση παρεμβάλλοντας ένα εργαλείο ή άλλο μέσο στη λεπίδα. Μ' αυτόν τον τρόπο, μπορούν να προκληθούν ακούσια σοβαρά ατυχήματα.
- ◆ Πριν χρησιμοποιήσετε ή τοποθετήσετε οποιοδήποτε αξεσουάρ συμβουλευτείτε το εγχειρίδιο οδηγιών. Η ακατάλληλη χρήση ενός αξεσουάρ μπορεί να προκαλέσει ζημιά.
- ◆ Ανυψώστε τη λεπίδα από το ένθετο τραπέζιου στο αντικείμενο εργασίας πριν ελευθερώσετε τον διακόπτη ενεργοποίησης/απενεργοποίησης.
- ◆ Μη σφηνώνετε οτιδήποτε στον ανεμιστήρα για να συγκρατήσετε τον άξονα του μοτέ.
- ◆ Ο προφυλακτήρας της λεπίδας στο πριόνι σας θα ανυψωθεί αυτόματα όταν κατεβάσετε το βραχίονα. Θα χαμηλώσει πάνω από τη λεπίδα όταν ανυψωθεί ο βραχίονας. Ο προφυλακτήρας μπορεί να ανυψωθεί με το χέρι όταν εγκαθιστάτε ή αφαιρείτε λεπίδες πριονιού ή για έλεγχο του πριονιού. Ποτέ μην ανυψώνετε με το χέρι τον προφυλακτήρα λεπίδας, εάν το μηχάνημα δεν είναι απενεργοποιημένο.
- ◆ Περιοδικά ελέγχετε ότι τα ανοίγματα αερισμού του μοτέ είναι καθαρά και απαλλαγμένα από πριονίδια.
- ◆ Ποτέ μην καθιστάτε τα προειδοποιητικά σήματα στο ηλεκτρικό εργαλείο μη αναγνωρίσιμα.
- ◆ Ποτέ μη στέκεστε πάνω στο ηλεκτρικό εργαλείο. Μπορεί να προκληθούν σοβαροί τραυματισμοί, σε περίπτωση ανατροπής του ηλεκτρικού εργαλείου ή σε περίπτωση επαφής με τη λεπίδα πριονιού.
- ◆ Μην αγγίζετε τη λεπίδα πριονιού μετά την εργασία, προτού αυτή κρυώσει.

- Η λεπίδα πριονιού θερμαίνεται πολύ κατά την εργασία.
- ◆ Για την αποφυγή τραυματισμών από υλικά που εκσφενδονίζονται, αφαιρέστε την μπαταρία από το πριόνι για την αποφυγή αθέλητης θέσης σε λειτουργία και, στη συνέχεια, αφαιρέστε τα μικρά υλικά.
 - ◆ Πριν από τη χρήση και μετά από οποιαδήποτε συντήρηση, ο προφυλακτήρας λεπίδας πρέπει να ελέγχεται για να εξασφαλίζεται η σωστή λειτουργία του. Αυτός ο έλεγχος πρέπει να πραγματοποιηθεί με το πριόνι απενεργοποιημένο και με την μπαταρία να έχει αφαιρεθεί. Ο βραχίονας πρέπει να ανυψωθεί και να χαμηλωθεί για να εξασφαλιστεί ότι ο προφυλακτήρας καλύπτει τη λεπίδα και ότι η λεπίδα δεν έρχεται σε επαφή με τον προφυλακτήρα. Εάν ο προφυλακτήρας δεν λειτουργήσει σωστά, αναθέστε το σέρβις του ηλεκτρικού σας εργαλείου σε έναν ειδικευμένο τεχνικό επισκευών. Καλέστε τις υπηρεσίες εξυπηρέτησης πελατών της STANLEY FATMAX για τον πλησιέστερό σας εκπρόσωπο σέρβις.
 - ◆ **Αυτό το φαλτσοπριόνιο είναι σχεδιασμένο μόνο για το πριόνισμα ξύλου, πλαστικών και μη σιδηρούχων μετάλλων.** Μη χρησιμοποιείτε το πριόνι για να κόβετε άλλα υλικά από αυτά που συνιστά ο κατασκευαστής.
 - ◆ Μην αγγίζετε τη λεπίδα πριονιού μετά την εργασία, προτού αυτή κρυώσει. Η λεπίδα πριονιού θερμαίνεται πολύ κατά την εργασία.



Προειδοποίηση! Η κοπή πλαστικών, ξύλου που καλύπτεται από φυτικό χυμό και άλλων υλικών μπορεί να προκαλέσει τη συσσώρευση λιωμένου υλικού στις μύτες της λεπίδας και στον κορμό της λεπίδας πριονιού, αυξανοντας τον κίνδυνο υπερθέρμανσης και μαγκώματος της λεπίδας κατά τη διάρκεια της κοπής.

Ασφάλεια τρίτων

- ◆ Αυτός ο φορτιστής μπορεί να χρησιμοποιηθεί από παιδιά ηλικίας 8 ετών και άνω καθώς και από άτομα με μειωμένες σωματικές, αισθητηριακές ή διανοητικές ικανότητες ή άτομα χωρίς εμπειρία και γνώσεις, μόνο εφόσον επιτηρούνται ή τους έχουν δοθεί οδηγίες σχετικά με την ασφαλή χρήση της συσκευής και έχουν κατανοήσει τους πιθανούς κινδύνους.
- ◆ Τα παιδιά δεν πρέπει να παίζουν με τη συσκευή. Ο καθαρισμός και η συντήρηση από το χρήστη δεν πρέπει να γίνονται από παιδιά χωρίς επίβλεψη.

Υπολειπόμενοι κίνδυνοι

Οι κίνδυνοι που ακολουθούν είναι εγγενείς στη χρήση πριονιών:
Παρά την εφαρμογή των σχετικών κανονισμών ασφαλείας και τη χρήση διατάξεων ασφαλείας, ορισμένοι υπολειπόμενοι κίνδυνοι δεν είναι δυνατόν να αποφευχθούν. Σε αυτούς περιλαμβάνονται:

- ♦ Τραυματισμοί από επαφή με οποιαδήποτε περιστρεφόμενα/ κινούμενα μέρη.
- ♦ Βλάβη της ακοής.
- ♦ Κίνδυνος ατυχημάτων που προκαλούνται από τα ακάλυπτα εξαρτήματα της περιστρεφόμενης λεπίδας πριονιού.
- ♦ Κίνδυνος τραυματισμού κατά την αλλαγή οποιωνδήποτε εξαρτημάτων, λεπίδων ή αξεσουάρ.
- ♦ Κίνδυνος σύνθλιψης των δακτύλων κατά το άνοιγμα των προφυλακτήρων.
- ♦ Κίνδυνοι στην υγεία που προκαλούνται από την εισπνοή σκόνης που παράγεται κατά το πριόνισμα του ξύλου, ειδικά της δρυός, της οξιάς και του MDF.
- ♦ Σωματικές βλάβες από παρατεταμένη χρήση εργαλείου. Όταν χρησιμοποιείτε οποιοδήποτε εργαλείο για παρατεταμένα χρονικά διαστήματα, να μην παραλείπετε με κανένα τρόπο να κάνετε τακτικά διαλείμματα.



Φοράτε μάσκα προστασίας από σκόνη



Αυτό το προϊόν δεν πρέπει να χρησιμοποιείται από παιδιά κάτω των 16 ετών



Κρατάτε τα χέρια μακριά από τη λεπίδα



Απαγορευμένη περιοχή για τα χέρια - Κρατάτε τα δάχτυλα και τα χέρια σας μακριά από περιστρεφόμενες λεπίδες πριονιού



Φοράτε γάντια κατά το χειρισμό λεπίδων πριονιού



Μην κοιτάζετε απευθείας στη λάμπα λειτουργίας

Θόρυβος

Οι δηλωμένες τιμές εκπομπών θορύβου έχουν μετρηθεί σύμφωνα με μια τυποποιημένη μέθοδο δοκιμής και μπορεί να χρησιμοποιηθεί για τη σύγκριση ενός εργαλείου με ένα άλλο. Οι δηλωμένες τιμές εκπομπών θορύβου μπορούν επίσης να χρησιμοποιηθούν σε έναν προκαταρκτικό προσδιορισμό της έκθεσης.

Προειδοποίηση! Κατά τη χρήση στην πράξη του ηλεκτρικού εργαλείου, οι εκπομπές θορύβου μπορεί να διαφέρουν από τις δηλωμένες τιμές ανάλογα με τους τρόπους χρήσης του εργαλείου και ειδικά με το είδος του αντικειμένου εργασίας.

Προειδοποίηση! Πάντα φοράτε κατάλληλη ατομική προστασία ακοής. Υπό ορισμένες συνθήκες και διάρκεια χρήσης, ο θόρυβος από το προϊόν μπορεί να συμβάλει σε απώλεια ακοής. Λαμβάνετε υπόψη σας τους εξής παράγοντες που επηρεάζουν την έκθεση στο θόρυβο:

- ♦ Χρησιμοποιείτε λεπίδες πριονιού σχεδιασμένες να μειώνουν τον εκπεμπόμενο θόρυβο,
- ♦ Χρησιμοποιείτε μόνο καλά τροχισμένες λεπίδες πριονιού, και
- ♦ Χρησιμοποιείτε ειδικά σχεδιασμένες λεπίδες πριονιού με ιδιότητες μείωσης θορύβου.

Ετικέτες πάνω στο εργαλείο

Τα εικονογράμματα που ακολουθούν μαζί με τον ο κωδικό ημερομηνίας εμφανίζονται πάνω στο εργαλείο:



Προειδοποίηση! Για να μειωθεί ο κίνδυνος τραυματισμού, ο χρήστης πρέπει να διαβάσει το εγχειρίδιο οδηγιών.



Φοράτε γυαλιά ασφαλείας ή προστατευτικά γυαλιά



Φοράτε προστασία αναπνοής



Ο φορτιστής προορίζεται για χρήση σε εσωτερικούς χώρους μόνο.

Συμπληρωματικές οδηγίες ασφαλείας για τις μπαταρίες και τους φορτιστές

Προειδοποίηση! Η συσκευή πρέπει να χρησιμοποιείται μόνο με τη μονάδα τροφοδοσίας που παρέχεται με τη συσκευή.

Σημείωση: Το συνιστώμενο εύρος θερμοκρασιών λειτουργίας του εργαλείου είναι 4 °C έως 40 °C.

Μπαταρίες

- ♦ Ποτέ μην επιχειρήσετε να τις ανοίξετε, για κανένα λόγο.
- ♦ Μην εκθέτετε την μπαταρία σε νερό.
- ♦ Μην αποθηκεύετε σε θέσεις όπου η θερμοκρασία ενδέχεται να υπερβεί τους 40 °C.
- ♦ Η φόρτιση πρέπει να γίνεται μόνο σε θερμοκρασίες περιβάλλοντος μεταξύ 10 °C και 40 °C.
- ♦ Φορτίζετε μόνο με χρήση του φορτιστή που παρέχεται με το εργαλείο.
- ♦ Όταν απορρίπτετε μπαταρίες, ακολουθείτε τις οδηγίες στην ενότητα "Προστασία του περιβάλλοντος".



Μην επιχειρήσετε να φορτίσετε μπαταρίες που έχουν υποστεί ζημιά.

Φορτιστές

- ♦ Ο φορτιστής Stanley FatMax πρέπει να χρησιμοποιείται αποκλειστικά και μόνο για τη φόρτιση της μπαταρίας του εργαλείου το οποίο συνοδεύει. Αν χρησιμοποιηθεί για άλλες μπαταρίες, αυτές μπορεί να εκραγούν, προκαλώντας τραυματισμό και ζημιές.
- ♦ **Μην επιχειρείτε να φορτίσετε μη επαναφορτιζόμενες μπαταρίες.**
- ♦ **Φροντίζετε να αντικαθίστανται άμεσα τα καλώδια που παρουσιάζουν βλάβη.**
- ♦ Μην εκθέτετε το φορτιστή σε νερό.
- ♦ Μην ανοίγετε το φορτιστή.
- ♦ Μην επεμβαίνετε στο φορτιστή.



Διαβάστε αυτό το εγχειρίδιο οδηγιών πριν από τη χρήση.

Ασφαλής χρήση ηλεκτρικού ρεύματος



Ο φορτιστής σας φέρει διπλή μόνωση, επομένως δεν απαιτείται σύρμα γείωσης. Ελέγχετε πάντα αν η τάση τροφοδοσίας αντιστοιχεί σε αυτήν που αναγράφεται στην πινακίδα χαρακτηριστικών. Ποτέ μην επιχειρήσετε να αντικαταστήσετε τη μονάδα φορτιστή με έναν κανονικό ρευματολήπτη.

- ◆ Αν το καλώδιο ρεύματος έχει υποστεί ζημιά, πρέπει να αντικατασταθεί από τον κατασκευαστή ή εξουσιοδοτημένο κέντρο σέρβις Stanley FatMax, για την αποφυγή κινδύνου.

Χαρακτηριστικά

Στο εργαλείο αυτό διατίθενται ορισμένα ή όλα τα παρακάτω χαρακτηριστικά.

1. Διακόπτης σκανδάλης
2. Λαβή χειρισμού
3. Οπές στερέωσης
4. Κάτω προφυλακτήρας
5. Περιστροφικό κουμπί ασφάλισης λοξής κοπής
6. Κουμπί μανδάλωσης λοξής κοπής
7. Πλάκα εντομής
8. Κλίμακα γωνίας λοξής κοπής
9. Δείκτης κλίμακα γωνίας λοξής κοπής
10. Λαβές μεταφοράς
11. Οδηγός
12. Περιστροφικό κουμπί ασφάλισης φαλτοσκοπής
13. Ράγες
- 13a. Ταινία Velcro
14. Στόμιο εξαγωγής σκόνης
15. Πακέτο μπαταρίας
16. Διακόπτης φωτισμού εργασίας
17. Μοχλός ασφαλείας
18. Βίδα ασφάλισης για τις ράγες
19. Οπή για στερέωση σφικτήρα
20. Πείρος ασφάλισης στην κάτω θέση

Συναρμολόγηση (Εικ. Α)

Το φαλτοσπρίονό σας βρίσκεται στο χαρτοκιβώτιο εν μέρει συναρμολογημένο.

- ◆ Ανοίξτε το κουτί και ανυψώστε το πριόνι και αφαιρέστε το χρησιμοποιώντας τις λαβές μεταφοράς (10) στη βάση του πριονιού (Εικ. Α).
- ◆ Τοποθετήστε το πριόνι πάνω σε μια επίπεδη, οριζόντια επιφάνεια όπως σε έναν πάγκο εργασίας ή ένα ανθεκτικό τραπέζι.

- ◆ Μελετήστε το Διάγραμμα Συναρμολόγησης στη σελίδα 2 στο παρόν εγχειρίδιο για να εξοικειωθείτε με το πριόνι και τα διάφορα εξαρτήματά του. Το τμήμα σχετικά με τις ρυθμίσεις θα αναφέρεται σε αυτούς τους όρους και πρέπει να γνωρίζετε ποια και πού είναι αυτά τα εξαρτήματα.
- ◆ Το περιστροφικό κουμπί ασφάλισης λοξής κοπής (5) δεν έχει τοποθετηθεί για τη μεταφορά του εργαλείου. Αφαιρέστε το περιστροφικό κουμπί ασφάλισης λοξής κοπής (5) από τη συσκευασία και βιδώστε το πάνω στο πριόνι, δείτε την εικόνα G και J σχετικά με τη θέση.
- ◆ Το πριόνι σας διαθέτει ενσωματωμένο στόμιο εξαγωγής σκόνης (14) το οποίο επιτρέπει να συνδεθεί είτε η παρεχόμενη, αλλά μη τοποθετημένη, σακούλα συλλογής σκόνης (35) είτε σύστημα αναρρόφησης συνεργείου (Εικ. Ν).

Πλάκα εντομής (Εικ. J)

Η πλάκα εντομής (7) έχει στερεωθεί στο τραπέζι με 6 βίδες. Το ύψος της πλάκας εντομής (7) δεν είναι ρυθμιζόμενο.

Σημείωση: Αν η πλάκα εντομής (7) έχει φθαρεί, υποστεί ζημιά ή χρειάζεται αντικατάσταση, οι σχετικές επισκευές πρέπει να γίνουν από εξουσιοδοτημένο εκπρόσωπο επισκευών ή από προσωπικό σέρβις της STANLEY FATMAX.

Πείρος ασφάλισης στην κάτω θέση (Εικ. F)

Προειδοποίηση! Ο πείρος ασφάλισης στην κάτω θέση πρέπει να χρησιμοποιείται ΜΟΝΟ όταν μεταφέρετε ή αποθηκεύετε το πριόνι. ΠΟΤΕ μη χρησιμοποιήσετε τον πείρο κάτω ασφάλισης για οποιαδήποτε εργασία κοπής.

Σημείωση: Για να ανυψώσετε, μεταφέρετε και υποστηρίξετε το πριόνι κατά τη μεταφορά, χρησιμοποιήστε τις δύο λαβές μεταφοράς (10) που βρίσκονται στις δύο πλευρές της βάσης του φαλτοσπριονιού (Εικ. Α).

Για να ασφαλίσετε την κεφαλή του πριονιού στην κάτω θέση, στρώστε κάτω την κεφαλή πριονιού, στρώστε μέσα τον πείρο (20) ασφάλισης στην κάτω θέση και κατόπιν ελευθερώστε την κεφαλή πριονιού. Με τον τρόπο αυτό η κεφαλή του πριονιού θα συγκρατηθεί με ασφαλεία στην κάτω θέση για μεταφορά του πριονιού από μια θέση σε άλλη. Για να απελευθερώσετε την κεφαλή του πριονιού, πιέστε την προς τα κάτω και τραβήξτε έξω τον πείρο.

Προειδοποίηση! Πάντα να βεβαιώνετε ότι το εργαλείο είναι απενεργοποιημένο και η μπαταρία έχει αφαιρεθεί από το εργαλείο πριν από τη ρύθμιση ή τον έλεγχο της λειτουργίας του εργαλείου.

Φόρτιση μιας μπαταρίας (εικ. Β)

Η μπαταρία πρέπει να φορτίζεται πριν από την πρώτη χρήση και όποτε αδυνατεί να παρέχει επαρκή ισχύ σε εργασίες που παλιά ήταν εύκολη η εκτέλεσή τους. Η μπαταρία μπορεί να θερμαίνεται κατά τη φόρτιση.

Κάτι τέτοιο είναι φυσιολογικό και δεν υποδηλώνει πρόβλημα. **Προειδοποίηση!** Μη φορτίζετε την μπαταρία σε θερμοκρασίες περιβάλλοντος κάτω από 10 °C ή πάνω από 40 °C. Η συνιστώμενη θερμοκρασία φόρτισης είναι περίπου 24 °C.




Σημείωση: Ο φορτιστής δεν θα φορτίσει μια μπαταρία με θερμοκρασία κυψέλης κάτω από περίπου 10 °C ή πάνω από 40 °C.

Η μπαταρία θα πρέπει να μείνει στο φορτιστή και αυτός θα αρχίσει να τη φορτίζει αυτόματα μόλις η θερμοκρασία κυψέλης αυξηθεί ή μειωθεί αντίστοιχα.

Σημείωση: Για να εξασφαλίσετε μέγιστη απόδοση και μέγιστη ωφέλιμη ζωή των πακέτων μπαταρίας ιόντων λιθίου, φορτίστε πλήρως το πακέτο μπαταρίας πριν την πρώτη χρήση.

- ◆ Συνδέστε τον φορτιστή (21) σε κατάλληλη πρίζα πριν εισάγετε το πακέτο μπαταρίας (15).
- ◆ Η πράσινη λυχνία φόρτισης (21a) θα αναβοσβήνει συνεχώς υποδηλώνοντας ότι έχει αρχίσει η διαδικασία φόρτισης.
- ◆ Η φόρτιση έχει ολοκληρωθεί όταν η πράσινη λυχνία φόρτισης (21a) παραμένει μόνιμα αναμμένη. Τότε το πακέτο μπαταρίας (15) είναι πλήρως φορτισμένο και μπορείτε να το χρησιμοποιήσετε άμεσα ή να το αφήσετε τοποθετημένο στον φορτιστή (21).
- ◆ Φορτίζετε τις αποφορτισμένες μπαταρίες εντός 1 εβδομάδας. Η διάρκεια ζωής μιας μπαταρίας μειώνεται σημαντικά αν αποθηκευτεί σε αποφορτισμένη κατάσταση.

Λειτουργίες φορτιστή LED

	Σε φόρτιση: Πράσινη LED Αναβοσβήνει	
	Φόρτιση ολοκληρώθηκε: Πράσινη LED Σταθερή	
	Καθυστέρηση θερμού/ψυχρού πακέτου: Πράσινη LED Αναβοσβήνει Κόκκινη LED Σταθερή	

Σημείωση: Ο/Οι συμβατός(-οι) φορτιστής(-ές) δεν θα φορτίσουν ένα πακέτο μπαταρίας που παρουσιάζει βλάβη. Ο φορτιστής θα υποδείξει ότι υπάρχει βλάβη στο πακέτο μπαταρίας με το να μην ανάψει ενδεικτική λυχνία.

Σημείωση: Αυτό θα μπορούσε να σημαίνει και πρόβλημα με τον φορτιστή. Αν ο φορτιστής υποδηλώνει πρόβλημα, δώστε τον φορτιστή και το πακέτο μπαταρίας για έλεγχο σε εξουσιοδοτημένο κέντρο σέρβις.

Παραμονή της μπαταρίας στο φορτιστή

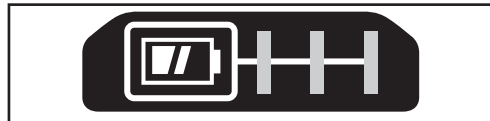
Ο φορτιστής και το πακέτο μπαταρίας μπορούν να παραμείνουν συνδεδεμένα επ' αόριστον με τη λυχνία LED αναμμένη. Ο φορτιστής θα διατηρήσει το πακέτο μπαταρίας πλήρως φορτισμένο.

Καθυστέρηση θερμού/ψυχρού πακέτου μπαταρίας

Αν ο φορτιστής ανιχνεύσει ότι μια μπαταρία βρίσκεται σε πολύ υψηλή ή πολύ χαμηλή θερμοκρασία, τότε ξεκινά αυτόματα μια Καθυστέρηση θερμού/ψυχρού πακέτου, η πράσινη LED (21a) αναβοσβήνει, ενώ η κόκκινη LED (21b) παραμένει αναμμένη συνεχώς, και η φόρτιση αναστέλλεται έως ότου η μπαταρία αποκτήσει κατάλληλη θερμοκρασία. Κατόπιν, ο φορτιστής αρχίζει αυτόματα τη φόρτιση του πακέτου. Αυτή η λειτουργία διασφαλίζει τη μέγιστη διάρκεια ζωής της μπαταρίας.

Ένδειξη κατάστασης φόρτισης μπαταρίας (Εικ. C)

Η μπαταρία περιλαμβάνει μια ένδειξη κατάστασης φόρτισης για να μπορείτε να εκτιμάτε εύκολα τη διάρκεια ζωής της μπαταρίας, όπως δείχνει η εικόνα Β. Πατώντας το κουμπί κατάστασης φόρτισης (15a) μπορείτε να δείτε εύκολα τη φόρτιση που απομένει στην μπαταρία, όπως παρουσιάζεται στην εικόνα C.



Τοποθέτηση και αφαίρεση της μπαταρίας (εικ. D, E)

- ◆ Για να τοποθετήσετε τη μπαταρία (15), ευθυγραμμίστε την με την υποδοχή στο εργαλείο (22). Τοποθετήστε την μπαταρία μέσα στην υποδοχή και σπρώξτε την μέχρι να ασφαλίσει στη θέση της.
- ◆ Για να αφαιρέσετε την μπαταρία, πατήστε το κουμπί απελευθέρωσης μπαταρίας (15b) και ταυτόχρονα τραβήξτε την μπαταρία έξω από την υποδοχή όπως δείχνει η εικόνα E.

Αλλαγή ή εγκατάσταση νέας λεπίδας πριονιού (Εικ. G, H, I)

Προειδοποίηση! Για να μειώσετε τον κίνδυνο σοβαρού τραυματισμού, απενεργοποιήστε το εργαλείο και αφαιρέστε το πακέτο μπαταρίας πριν το μεταφέρετε, κάνετε οποιοσδήποτε ρυθμίσεις ή πριν αφαιρέσετε/τοποθετήσετε προσαρτήματα ή παρελκόμενα. Τυχόν αθέλητη εκκίνηση μπορεί να προκαλέσει τραυματισμό.

Αφαίρεση της λεπίδας

- ◆ Αφαιρέστε το πακέτο μπαταρίας (15) από το πριόνι.
- ◆ Ανυψώστε τον βραχίονα στην πάνω θέση και ανυψώστε τον κάτω προφυλακτήρα (4) όσο το δυνατόν περισσότερο.

- ◆ Λασκάρετε, αλλά μην αφαιρέσετε την μπροστινή βίδα (24) του στηρίγματος προφυλακτήρα έως ότου το στηρίγμα (25) μπορεί να ανυψωθεί αρκετά για να παρέχει πρόσβαση στη βίδα της λεπίδας (26). Ο κάτω προφυλακτήρας θα παραμείνει ανυψωμένος λόγω της θέσης της βίδας του στηρίγματος προφυλακτήρα.
- ◆ Πιέστε το κουμπί ασφάλισης άξονα (28) ενώ περιστρέψετε προσεκτικά τη λεπίδα πριονιού (29) με το χέρι έως ότου συμπλεχτεί η ασφάλιση.
- ◆ Κρατώντας το κουμπί πατημένο, χρησιμοποιήστε το άλλο χέρι και την πλευρά κλειδιού Άλεν του παρεχόμενου κλειδιού για να λασκάρετε τη βίδα (26) της λεπίδας. (Περιστρέψτε δεξιόστροφα, τα σπειρώματα είναι αριστερόστροφα.)
- ◆ Αφαιρέστε τη βίδα (26) της λεπίδας χρησιμοποιώντας την πλευρά κλειδιού Άλεν του παρεχόμενου κλειδιού, την εξωτερική ροδέλα σύσφιξης (30) και τη λεπίδα (29). Μπορείτε να αφήσετε πάνω στον άξονα (32) την εσωτερική ροδέλα σύσφιξης (31).

Εγκατάσταση μιας λεπίδας

- ◆ Αφαιρέστε το πακέτο μπαταρίας (15) από το πριόνι.
- ◆ Με τον βραχίονα ανυψωμένο, κρατώντας τον κάτω προφυλακτήρα (4) ανοικτό και το στηρίγμα προφυλακτήρα (25) ανυψωμένο, τοποθετήστε τη λεπίδα (29) πάνω στον άξονα (32) και σε επαφή με την εσωτερική ροδέλα σύσφιξης (31), με τα δόντια της λεπίδας να δείχνουν στην κατεύθυνση περιστροφής όπως αυτή επισημαίνεται πάνω στο πριόνι.
- ◆ Τοποθετήστε την εξωτερική ροδέλα σύσφιξης (30) πάνω στον άξονα (32).
- ◆ Τοποθετήστε τη βίδα (26) της λεπίδας και αφού συμπλέξετε την ασφάλιση άξονα (28), σφίξτε τη βίδα (26) καλά με το παρεχόμενο κλειδί (περιστρέψτε αριστερόστροφα, αφού το σπείρωμα είναι αριστερόστροφο).
- ◆ Επαναφέρετε το στηρίγμα προφυλακτήρα (25) στην αρχική του τελείως κάτω θέση και σφίξτε καλά τη βίδα στηρίγματος προφυλακτήρα (24) για να συγκρατήσετε το στηρίγμα στη θέση του.

Σύστημα καθοδήγησης στη γραμμή κοπής

Προειδοποίηση! Μην κοιτάζετε μέσα στο φως εργασίας. Θα μπορούσε να προκύψει σοβαρή βλάβη των ματιών.

Σημείωση: Η μπαταρία πρέπει να είναι φορτισμένη και συνδεδεμένη στο φάλτσοπριόνι.

Το σύστημα καθοδήγησης στη γραμμή κοπής μπορεί να ενεργοποιηθεί ή απενεργοποιηθεί μόνο από τον διακόπτη φωτισμού εργασίας (16).

Για να κόψετε κατά μήκος μιας υπάρχουσας γραμμής μολυβιού που έχετε χαράξει πάνω σε ένα τεμάχιο ξύλου, ενεργοποιήστε το σύστημα καθοδήγησης στη γραμμή κοπής χρησιμοποιώντας τον διακόπτη φωτισμού εργασίας (16) (όχι με τον κύριο διακόπτη σκανδάλης) και κατόπιν τραβήξτε προς τα κάτω τη λαβή χειρισμού (2) για να φέρετε τη λεπίδα πριονιού κοντά στο ξύλο.

Η σκιά της λεπίδας θα εμφανιστεί πάνω στο ξύλο. Αυτή η γραμμή σκιάς υποδεικνύει το υλικό που θα αφαιρέσει η λεπίδα όταν πραγματοποιεί κοπή.

Για να τοποθετήσετε σωστά την κοπή σας πάνω στη γραμμή μολυβιού, ευθυγραμμίστε τη γραμμή μολυβιού με το άκρο της σκιάς της λεπίδας. Να έχετε υπόψη σας ότι μπορεί να χρειαστεί να ρυθμίσετε τις γωνίες λοξής κοπής ή φάλτσοκοπής ώστε να ταιριάζετε ακριβώς τη γραμμή μολυβιού.

Το πριόνι σας είναι εξοπλισμένο με λειτουργία ανίχνευσης βλάβης της μπαταρίας. Ο φωτισμός εργασίας αρχίζει να αναβοσβήνει όταν η μπαταρία πλησιάζει το τέλος της ωφέλιμης φόρτισης της ή όταν έχει υπερθερμανθεί η μπαταρία. Φορτίστε την μπαταρία πριν συνεχίσετε με τις εφαρμογές κοπής. Για οδηγίες φόρτισης μπαταρίας ανατρέξτε στη διαδικασία φόρτισης στην ενότητα Σημαντικές οδηγίες ασφαλείας για πακέτα μπαταρίας.

Ρύθμιση γωνίας λοξής κοπής (Εικ. J)

Το περιστροφικό κουμπί ασφάλισης λοξής κοπής (5) και το κουμπί μανδάλωσης λοξής κοπής (6) σας επιτρέπουν να ρυθμίσετε τη γωνία λοξής κοπής του πριονιού σας έως 47° δεξιά και 47° αριστερά. Η μανδάλωση γωνίας λοξής κοπής θα ρυθμίσει αυτόματα τη γωνία σε 0°, 15°, 22,5°, 31,6° και 45° τόσο αριστερά όσο και δεξιά. Για να ρυθμίσετε γωνία λοξής κοπής στο πριόνι, απασφαλίστε τον μηχανισμό ασφάλισης λοξής κοπής περιστρέφοντας το περιστροφικό κουμπί ασφάλισης λοξής κοπής (5) αριστερόστροφα για απασφάλιση και δεξιόστροφα για ασφάλιση. Τραβήξτε το κουμπί μανδάλωσης λοξής κοπής (6) προς τα πάνω, και ρυθμίστε την επιθυμητή γωνία λοξής κοπής πάνω στην κλίμακα λοξής κοπής (8). Ασφαλίστε το περιστροφικό κουμπί ασφάλισης λοξής κοπής (5) περιστρέφοντάς το δεξιόστροφα.

Περιστροφικό κουμπί ασφάλισης φάλτσοκοπής (Εικ. Κ)

Η ασφάλιση φάλτσοκοπής σας επιτρέπει να ρυθμίσετε τη γωνία φάλτσοκοπής του πριονιού έως 48° αριστερά. Για να προσαρμόσετε τη ρύθμιση της φάλτσοκοπής, περιστρέψτε το περιστροφικό κουμπί ασφάλισης φάλτσοκοπής (12) αριστερόστροφα για να το λασκάρετε. Για σύσφιξη, περιστρέψτε δεξιόστροφα το περιστροφικό κουμπί ασφάλισης φάλτσοκοπής.

Προσοχή! Κίνδυνος εμπλοκής. Βεβαιωθείτε να συσφίξετε το περιστροφικό κουμπί ασφάλισης φάλτσοκοπής πριν τη ρύθμιση παρακάμψεων.

Διακόπτης σκανδάλης (Εικ. L)

Για να ενεργοποιήσετε το πριόνι, ωθήστε αριστερά τον μοχλό ασφαλείας (17) και κατόπιν πιέστε το διακόπτη σκανδάλης (1). Το πριόνι θα λειτουργεί όσο κρατάτε πατημένο το διακόπτη. Επιτρέψτε στη λεπίδα να επιτύχει πλήρη ταχύτητα περιστροφής πριν πραγματοποιήσετε την κοπή. Για να απενεργοποιήσετε το πριόνι, ελευθερώστε το διακόπτη. Αφήστε τη λεπίδα να σταματήσει να κινείται πριν ανυψώσετε την κεφαλή του πριονιού. Δεν υπάρχει πρόβλεψη για ασφάλιση του διακόπτη στην ενεργοποιημένη κατάσταση. Στη σκανδάλη έχει προβλεφθεί μια οπή (1a) για την εισαγωγή λουκέτου που θα κλειδώνει το διακόπτη στην απενεργοποιημένη κατάσταση.

Το πριόνι σας δεν είναι εξοπλισμένο με αυτόματο ηλεκτρικό φρένο λεπίδας, αλλά η λεπίδα πριονιού θα πρέπει να σταματά σε 5 δευτερόλεπτα από την απελευθέρωση του διακόπτη σκανδάλης. Αυτό δεν μπορεί να ρυθμιστεί. Αν ο χρόνος σταματήματος υπερβαίνει επανειλημμένα τα 5 δευτερόλεπτα, παραδώστε το εργαλείο για σέρβις σε εξουσιοδοτημένο κέντρο σέρβις της Stanley FatMax.

Πάντα να βεβαιώνετε ότι η λεπίδα έχει σταματήσει, πριν την απομακρύνετε από την εντομή κοπής.

Εξαγωγή σκόνης (Εικ. M)

Προειδοποίηση! Για να μειώσετε τον κίνδυνο σοβαρού τραυματισμού, απενεργοποιήστε το εργαλείο και αφαιρέστε το πακέτο μπαταρίας πριν το μεταφέρετε, κάνετε οποιεσδήποτε ρυθμίσεις ή πριν αφαιρέσετε/τοποθετήσετε προσαρτήματα ή παρελκόμενα. Τυχόν αθέλητη εκκίνηση μπορεί να προκαλέσει τραυματισμό. Το πριόνι διαθέτει ενσωματωμένο στόμιο εξαγωγής σκόνης (14) το οποίο επιτρέπει να συνδεθεί είτε η παρεχόμενη σακούλα συλλογής σκόνης (35) είτε ένα σύστημα αναρρόφησης συνεργείου.

Για να συνδέσετε τη σακούλα συλλογής σκόνης

- Τοποθετήστε τη σακούλα συλλογής σκόνης (35) στο στόμιο εξαγωγής σκόνης (14) όπως δείχνει η Εικόνα M.
- Μπορείτε να τοποθετήσετε ένα σωλήνα αναρρόφησης (38) - δεν παρέχεται) στο στόμιο εξαγωγής σκόνης (14) αντί για τη σακούλα συλλογής σκόνης (35). Αυτό μπορείτε να το κάνετε απλά εφαρμόζοντας τον δικό σας σωλήνα αναρρόφησης (38) στη θέση της σακούλας συλλογής σκόνης (35), βλ. εικόνα M.
- Χρησιμοποιήστε την ταινία Velcro (13a) για να συγκρατήσετε τον σωλήνα αναρρόφησης (38) του εξοπλισμού σας μακριά από τις ράγες ολίσθησης (13) κατά τη χρήση του πριονιού.

Σημείωση: Η ταινία Velcro (13a) δεν είναι λαβή μεταφοράς και δεν πρέπει σε καμία περίπτωση να χρησιμοποιηθεί για τη μετακίνηση ή μεταφορά του πριονιού.

Για να αδειάσετε τη σακούλα συλλογής σκόνης

- Αφαιρέστε τη σακούλα συλλογής σκόνης (35) από το πριόνι και ανακινήστε την προσεκτικά ή χτυπήστε την ελαφρά για να την αδειάσετε.
- Συνδέστε πάλι τη σακούλα συλλογής σκόνης στο στόμιο εξαγωγής σκόνης (14).

Μπορεί να παρατηρήσετε ότι δεν θα απομακρυνθεί όλη η σκόνη από τη σακούλα. Αυτό δεν θα επηρεάσει την απόδοση κοπής αλλά θα μειώσει την αποτελεσματικότητα συλλογής σκόνης του πριονιού. Για να αποκαταστήτε την αποτελεσματικότητα συλλογής σκόνης του πριονιού σας, πιέστε το ελατήριο μέσα στη σακούλα συλλογής σκόνης όταν την αδειάζετε και χτυπήστε την ελαφρά στο πλάι του κάδου απορριμάτων ή του δοχείου υποδοχής της σκόνης.

Προειδοποίηση! Ποτέ μη θέσετε σε λειτουργία αυτό το πριόνι χωρίς τη σακούλα συλλογής σκόνης στη θέση της. Η σκόνη του ξύλου μπορεί να δημιουργήσει κίνδυνο για την εισπνοή.

Κοπή με το πριόνι

Αν δεν χρησιμοποιείται η δυνατότητα ολίσθησης, βεβαιωθείτε ότι η κεφαλή πριονιού έχει σπρωχτεί όσο το δυνατόν προς τα πίσω και ότι είναι σφιγμένη η βίδα ασφαλίσης στις ράγες (18). Έτσι θα αποτραπεί η ολίσθηση του πριονιού κατά μήκος των ραγών του καθώς η λεπίδα συναντά το αντικείμενο εργασίας.

Σημείωση: ΜΗΝ ΚΟΨΕΤΕ ΣΙΔΗΡΟΥΧΑ ΜΕΤΑΛΛΑ Ή ΕΙΔΗ ΤΟΙΧΟΠΟΙΑΣ ΜΕ ΑΥΤΟ ΤΟ ΠΡΙΟΝΙ (ΜΠΟΡΕΙΤΕ ΝΑ ΚΟΨΕΤΕ ΜΗ ΣΙΔΗΡΟΥΧΑ ΜΕΤΑΛΛΑ ΜΕ ΑΥΤΟ ΤΟ ΠΡΙΟΝΙ). Μη χρησιμοποιήσετε κανέναν είδους λεπίδα λείανσης.

Σημείωση: Πριν πραγματοποιήσετε κοπή, ανατρέξτε στο τμήμα Χρήση του προφυλακτήρα και ορατότητα στην ενότητα Ρυθμίσεις, για σημαντικές πληροφορίες σχετικά με τον κάτω προφυλακτήρα.

Εγκάρσιες κοπές (εικ. N)

Μια εγκάρσια κοπή γίνεται με κοπή του ξύλου κάθετα στα νερά του υπό οποιαδήποτε γωνία. Μια ίσια εγκάρσια κοπή γίνεται με το βραχίονα λοξής κοπής στη θέση των μηδέν μοιρών. Ρυθμίστε και ασφαλίστε το βραχίονα λοξής κοπής στο μηδέν και συγκρατήστε το ξύλο σταθερά πάνω στο τραπέζι και σε επαφή με τον οδηγό. Με σφιγμένη τη βίδα ασφαλίσης στις ράγες (18), ενεργοποιήστε το πριόνι πιέζοντας τον διακόπτη σκανδάλης (1).

Όταν το πριόνι επιτύχει την ταχύτητα λειτουργίας του (περίπου σε 1 δευτερόλεπτο), χαμηλώστε το βραχίονα ομαλά και αργά για να κόψετε δια μέσου του ξύλου. Αφήστε τη λεπίδα να σταματήσει τελείως πριν ανυψώσετε το βραχίονα. Όταν κόβετε οτιδήποτε μεγαλύτερο από 2 x 4 ίντσες (51 x 102 χιλιοστά), χρησιμοποιήστε μια κίνηση προς τα έξω-κάτω-πίσω με τη βίδα ασφαλίσης στις ράγες (18) λασκαρισμένη.

Τραβήξτε το πριόνι έξω, προς το μέρος σας, χαμηλώστε την κεφαλή πριονιού προς το αντικείμενο εργασίας και αργά στρώστε το πριόνι πίσω για να ολοκληρώσετε την κοπή. Μην επιτρέψετε στη λεπίδα πριονιού να έρθει σε επαφή με το πάνω μέρος του αντικείμενου εργασίας ενώ την τραβάτε έξω. Το πριόνι μπορεί να κινηθεί προς το μέρος σας, ενδεχομένως προκαλώντας τραυματισμό σας ή ζημιά στο αντικείμενο εργασίας.

Προειδοποίηση! Πάντα χρησιμοποιείτε ένα σφικτήρα εργασίας για να διατηρείτε τον έλεγχο και να μειώνετε τον κίνδυνο πρόκλησης ζημιάς στο αντικείμενο εργασίας και τραυματισμού, αν τα χέρια σας απαιτείται να βρίσκονται εντός 6" (152 mm) από τη λεπίδα κατά τη διάρκεια της κοπής. **Σημείωση!** Η βίδα ασφάλισης στις ράγες (18) πρέπει να είναι λασκαρισμένη για να επιτρέπει στο πριόνι να ολισθήσει κατά μήκος των ραγών του.

Οι λοξές εγκάρσιες κοπές γίνονται με το βραχίονα λοξής κοπής σε κάποια γωνία εκτός του μηδένος. Αυτή η γωνία συχνά είναι 45° για κατασκευή γωνιών, αλλά μπορεί να ρυθμιστεί σε οποιαδήποτε τιμή από μηδέν έως 47° αριστερά ή 47° δεξιά. Πραγματοποιήστε την κοπή όπως περιγράφεται παραπάνω.

Όταν εκτελείτε μια λοξή κοπή σε σχετικά μικρού μήκους αντικείμενα εργασίας με πλάτος μεγαλύτερο από 2 x 6, πάντα να τοποθετείτε τη μακρύτερη πλευρά σε επαφή με τον οδηγό (Εικ. 0).

Για να επιτύχετε κοπή μέσω υπάρχουσας γραμμής μολυβιού σε ένα κομμάτι ξύλου, ρυθμίστε τη γωνία ώστε να συμφωνεί όσο το δυνατόν περισσότερο. Κόψτε το ξύλο λίγο μακρύτερο από ότι χρειάζεται και μετρήστε από τη γραμμή μολυβιού ως την κομμένη άκρη για να προσδιορίσετε προς ποια πλευρά πρέπει να ρυθμίσετε τη γωνία λοξής κοπής και κόψτε πάλι. Για το σκοπό αυτόν θα χρειαστεί ορισμένη εξάσκηση, αλλά είναι μια τεχνική που χρησιμοποιείται συχνά.

ΦΑΛΤΣΟΚΟΠΕΣ

Μια φαλτσκοπή είναι μια εγκάρσια κοπή που γίνεται με τη λεπίδα πριονιού σε κλίση ως προς το ξύλο. Για να ρυθμίσετε τη φαλτσκοπή, λασκάρτε το περιστροφικό κομπί ασφάλισης φαλτσκοπής (12) και μετακινήστε το πριόνι προς τα αριστερά όπως χρειάζεται. Αφού έχετε ρυθμίσει την επιθυμητή γωνία φαλτσκοπής, σφίξτε καλά την ασφάλιση φαλτσκοπής. Οι γωνίες φαλτσκοπής μπορούν να ρυθμιστούν από 3° δεξιά έως 48° αριστερά.

Ποιότητα της κοπής

Η ομαλότητα οποιασδήποτε κοπής εξαρτάται από έναν αριθμό μεταβλητών. Παράγοντες όπως το είδος του υλικού που κόβεται, ο τύπος της λεπίδας, η αιχμηρότητα της λεπίδας και η ταχύτητα κοπής, όλοι συμβάλλουν στην ποιότητα της κοπής.

Όταν απαιτούνται οι πιο ομαλές κοπές, για δημιουργία κορνιζών και για άλλες εργασίες ακριβείας, θα έχετε τα επιθυμητά αποτελέσματα αν χρησιμοποιήσετε μια αιχμηρή λεπίδα (60 δοντιών με μύτη καρβιδίου) και έναν πιο αργό, ομοιόμορφο ρυθμό κοπής.

Βεβαιωθείτε ότι το υλικό δεν κινείται ή ολισθαίνει κατά την κοπή. Συσφίξτε το καλά στη θέση του.

Αφήνετε πάντα τη λεπίδα να σταματήσει τελείως πριν ανυψώσετε το βραχίονα. Αν στην πίσω πλευρά του αντικείμενου εργασίας εξακολουθούν να αποσχίζονται μικρές ίνες ξύλου, κολλήστε ένα κομμάτι κολλητικής χαρτοταινίας στο ξύλο εκεί που θα γίνει η κοπή. Εκτελέστε την κοπή μέσα από την ταινία και αφαιρέστε προσεκτικά την ταινία όταν τελειώσετε.

Για τις διάφορες εφαρμογές κοπής, ανατρέξτε στη λίστα των συνιστώμενων λεπίδων πριονιού ειδικά για το πριόνι σας και επιλέξτε αυτή που ταιριάζει καλύτερα στις ανάγκες σας. Ανατρέξτε στο τμήμα Λεπίδες πριονιού στην ενότητα Προαιρετικά αξεσουάρ.

Θέση σώματος και χεριών (εικ. 01–04)

Η σωστή τοποθέτηση του σώματος και των χεριών σας όταν χρησιμοποιείτε το φαλτσοπριόνι θα διευκολύνει να γίνει η κοπή με μεγαλύτερη ακρίβεια και ασφάλεια. Ποτέ μην τοποθετείτε τα χέρια σας κοντά στην περιοχή κοπής. Μην τοποθετήσετε τα χέρια σας πιο κοντά από 6" (152 mm) από τη λεπίδα. Κρατάτε το αντικείμενο εργασίας σφικτά σε επαφή με το τραπέζι και τον οδηγό όταν κόβετε. Κρατάτε τα χέρια σας στη θέση τους έως ότου έχει ελευθερωθεί η σκανδάλη και έχει σταματήσει τελείως η κίνηση της λεπίδας.

ΠΑΝΤΑ ΝΑ ΚΑΝΕΤΕ ΔΟΚΙΜΕΣ ΜΕ ΑΠΕΝΕΡΓΟΠΟΙΗΜΕΝΟ ΠΡΙΟΝΙ (ΧΩΡΙΣ ΤΡΟΦΟΔΟΣΙΑ ΡΕΥΜΑΤΟΣ) ΠΡΙΝ ΤΙΣ ΤΕΛΙΚΕΣ ΚΟΠΕΣ ΩΣΤΕ ΝΑ ΜΠΟΡΕΙΤΕ ΝΑ ΕΛΕΓΞΕΤΕ ΤΗ ΔΙΑΔΡΟΜΗ ΤΗΣ ΛΕΠΙΔΑΣ. ΜΗ ΔΙΑΣΤΑΥΡΩΝΕΤΕ ΤΑ ΧΕΡΙΑ, ΟΠΩΣ ΔΕΙΧΝΕΙ Η ΕΙΚΟΝΑ 03.

Κρατάτε το πόδια σταθερά στο δάπεδο και διατηρείτε σωστή ισορροπία. Καθώς μετακινείτε το βραχίονα λοξής κοπής αριστερά και δεξιά, ακολουθήστε τον και σταθείτε ελαφρά προς το πλάι της λεπίδας πριονιού. Κοιτάτε μέσα από τις περσίδες του προφυλακτήρα, όταν ακολουθείτε μια γραμμή μολυβιού.

Σύσφιξη του αντικείμενου εργασίας

Προειδοποίηση! Για να μειώσετε τον κίνδυνο σοβαρού τραυματισμού, απενεργοποιήστε το εργαλείο και αφαιρέστε το πακέτο μπαταρίας πριν το μεταφέρετε, κάνετε οποιοσδήποτε ρυθμίσεις ή πριν αφαιρέσετε/τοποθετήσετε προσαρτήματα ή παρελκόμενα. Τυχόν αθέλητη εκκίνηση μπορεί να προκαλέσει τραυματισμό.

Προειδοποίηση! Ένα αντικείμενο εργασίας που είναι συσφιγμένο, ισορροπημένο και στερεωμένο πριν από μια κοπή, μπορεί να μην είναι πλέον ισορροπημένο αφού ολοκληρωθεί η κοπή.

Ένα μη ισορροπημένο φορτίο μπορεί να προκαλέσει ανατροπή του πριονιού ή οποιοδήποτε αντικείμενο στο οποίο είναι συνδεδεμένο το πριόνι, όπως τραπέζιού ή πάγκου εργασίας. Όταν πραγματοποιείτε μια κοπή όπου μπορεί να δημιουργηθεί πρόβλημα ισορροπίας, υποστηρίξτε κατάλληλα το αντικείμενο εργασίας και βεβαιωθείτε ότι το πριόνι είναι σταθερά στερεωμένο με μπουλόνια σε σταθερή επιφάνεια. Μπορεί να προκύψει τραυματισμός.

Προειδοποίηση! Το πέλαμα σύσφιξης πρέπει να παραμείνει συσφιγμένο πάνω από τη βάση του πριονιού όταν χρησιμοποιείται ο σφιγκτήρας. Πάντα συσφίγγετε το αντικείμενο εργασίας στη βάση του πριονιού – όχι σε οποιοδήποτε άλλο μέρος της περιοχής εργασίας. Βεβαιωθείτε ότι το πέλαμα σύσφιξης δεν είναι συσφιγμένο στο άκρο της βάσης του πριονιού.

Προειδοποίηση! Πάντα χρησιμοποιείτε ένα σφιγκτήρα εργασίας για να διατηρείτε τον έλεγχο και να μειώνετε τον κίνδυνο πρόκλησης ζημιάς στο αντικείμενο εργασίας και τραυματισμού, αν τα χέρια σας απαιτείται να βρίσκονται εντός 6" (152 mm) από τη λεπίδα κατά τη διάρκεια της κοπής. Αν δεν μπορείτε να στερεώσετε το αντικείμενο εργασίας πάνω στο τραπέζι και να το διατηρείτε σε επαφή με τον οδηγό με το χέρι (ακανόνιστο σχήμα κλπ.), ή αν το χέρι σας μπορεί να πλησιάσει πιο κοντά από 6" (152 mm) από τη λεπίδα, τότε πρέπει να χρησιμοποιηθεί ένας σφιγκτήρας ή άλλη διάταξη. Χρησιμοποιείτε το σφιγκτήρα υλικού που συνοδεύει το πριόνι σας. Για να προμηθευτείτε ένα σφιγκτήρα υλικού, επικοινωνήστε με τον τοπικό σας αντιπρόσωπο ή κέντρο σέρβις της Stanley FatMax.

Άλλα βοηθήματα, όπως σφιγκτήρες με ελατήριο, σφιγκτήρες ράβδου ή σφιγκτήρες σχήματος C μπορεί να είναι κατάλληλα για ορισμένα μεγέθη και σχήματα υλικών. Να προσέχετε στην επιλογή και τοποθέτηση αυτών των σφιγκτήρων. Αφιερώστε χρόνο για να κάνετε μια δοκιμαστική εικονική κοπή πριν πραγματοποιήσετε την κοπή.

Για να εγκαταστήσετε το σφιγκτήρα (εικ. P)

- ◆ Εισάγετε τον σφιγκτήρα (37) στην οπή (19) πίσω από τον οδηγό. Ο σφιγκτήρας θα πρέπει να κοιτάζει προς το πίσω μέρος του φαλτσοπριονίου. Η αυλάκωση στη ράβδο του σφιγκτήρα θα πρέπει να εισαχθεί πλήρως στη βάση. Βεβαιωθείτε ότι η αυλάκωση έχει εισαχθεί πλήρως στη βάση του φαλτσοπριονίου. Αν είναι ορατή η αυλάκωση, ο σφιγκτήρας δεν θα είναι σταθερά στερεωμένος.
- ◆ Περιστρέψτε τον σφιγκτήρα 180° προς το μπροστινό μέρος του φαλτσοπριονίου.
- ◆ Λασκάρετε το περιστροφικό κουμπί για να ρυθμίσετε τον σφιγκτήρα προς τα πάνω ή κάτω και κατόπιν χρησιμοποιήστε το περιστροφικό κουμπί μικρορρυθμίσης για να συσφίξετε σταθερά το αντικείμενο εργασίας.

Σημείωση: Τοποθετήστε το σφιγκτήρα στην αντίθετη πλευρά της βάσης όταν εκτελείτε φαλτσοκοπή.

ΠΑΝΤΑ ΝΑ ΚΑΝΕΤΕ ΔΟΚΙΜΕΣ ΜΕ ΑΠΕΝΕΡΓΟΠΟΙΗΜΕΝΟ ΠΡΙΟΝΙ (ΧΩΡΙΣ ΤΡΟΦΟΔΟΣΙΑ) ΠΡΙΝ ΤΙΣ ΤΕΛΙΚΕΣ ΚΟΠΕΣ, ΩΣΤΕ ΝΑ ΕΛΕΓΧΕΤΕ ΤΗ ΔΙΑΔΡΟΜΗ ΤΗΣ ΛΕΠΙΔΑΣ. ΒΕΒΑΙΩΘΕΙΤΕ ΟΤΙ Ο ΣΦΙΓΚΤΗΡΑΣ ΔΕΝ ΕΜΠΟΔΙΖΕΙ ΤΗ ΛΕΙΤΟΥΡΓΙΑ ΤΟΥ ΠΡΙΟΝΙΟΥ Ή ΤΩΝ ΠΡΟΦΥΛΑΚΤΗΡΩΝ.

ΡΥΘΜΙΣΕΙΣ

Το φαλτσοπριόνι σας έχει ρυθμιστεί πλήρως και με ακρίβεια στο εργοστάσιο κατά την κατασκευή του. Αν χρειαστεί επαναρρύθμιση λόγω μεταφοράς και χειρισμών ή για οποιοδήποτε άλλο λόγο, ακολουθήστε τις πιο κάτω οδηγίες για να ρυθμίσετε το πριόνι σας.

Όταν γίνει αυτό, οι ρυθμίσεις αυτές θα πρέπει να παραμείνουν ακριβείς. Τώρα αφιερώστε λίγο χρόνο για να ακολουθήσετε προσεκτικά αυτές τις οδηγίες ώστε να διατηρήσετε την ακρίβεια για την οποία είναι ικανό το πριόνι σας.

Ρύθμιση κλίμακας λοξής κοπής (εικ. Q1)

Ασφαλίστε τον βραχίονα στην κάτω θέση. Απασφαλίστε το περιστροφικό κουμπί ασφάλισης λοξής κοπής (5) και στρίψτε τον βραχίονα λοξής κοπής έως ότου το κουμπί μανδάλωσης λοξής κοπής (6) ασφαλίσει στη θέση γωνίας λοξής κοπής 0°. Μην ασφαλίσετε το περιστροφικό κουμπί ασφάλισης λοξής κοπής. Τοποθετήστε μια γωνία σε επαφή με τον οδηγό και τη λεπίδα του πριονιού, όπως δείχνει η εικόνα. (Μην αγγίξετε τις μύτες των δοντιών της λεπίδας με τη γωνία. Αν το κάνετε αυτό θα επηρεαστεί αρνητικά η ακρίβεια της μέτρησης.) Αν η λεπίδα πριονιού δεν είναι ακριβώς κάθετη στον οδηγό, λασκάρετε και μετακινήστε τον οδηγό υλικού έως ότου η λεπίδα είναι κάθετη στον οδηγό, όπως αυτό διαπιστώνεται με χρήση γωνιάς. Προς το παρόν, μη δώσετε σημασία στην ένδειξη του δείκτη γωνίας λοξής κοπής.

Ρύθμιση καθετότητας φαλτσοκοπής ως προς το τραπέζι (Εικ. Q2)

Για να ευθυγραμμίσετε τη λεπίδα σε ορθή γωνία ως προς το τραπέζι, ασφαλίστε τον βραχίονα στην κάτω θέση χρησιμοποιώντας τον πείρο ασφάλισης στην κάτω θέση (20). Τοποθετήστε μια γωνία σε επαφή με τη λεπίδα και βεβαιωθείτε ότι η γωνία δεν βρίσκεται πάνω σε δόντι. Λασκάρετε το περιστροφικό κουμπί ασφάλισης φαλτσοκοπής (5) και βεβαιωθείτε ότι ο βραχίονας είναι σε σταθερή επαφή με το стоп φαλτσοκοπής 0°. Περιστρέψτε τη βίδα ρύθμισης 0° φαλτσοκοπής με το καρυδάκι 1/2" (12,7 mm) (δεν παρέχεται) όπως χρειάζεται έτσι ώστε η λεπίδα να είναι σε γωνία φαλτσοκοπής 0° ως προς το τραπέζι, όπως αυτό προσδιορίζεται με τη γωνία.

Χρήση του προφυλακτήρα και ορατότητα (Εικ. V)

Προειδοποίηση! Κίνδυνος εμπλοκής. Για να μειώσετε τον κίνδυνο τραυματισμού, διατηρείτε τον αντίχειρα κάτω από τη λαβή χειρισμού όταν τραβάτε τη λαβή προς τα κάτω.

Ο κάτω προφυλακτήρας θα κινηθεί προς τα πάνω καθώς τραβάτε τη λαβή χειρισμού προς τα κάτω, κάτι που θα μπορούσε να προκαλέσει εμπλοκή. Ο κάτω προφυλακτήρας (4) του πριονιού σας έχει σχεδιαστεί ώστε να αποκαλύπτει αυτόματα τη λεπίδα όταν κατεβάζετε το βραχίονα και να καλύπτει τη λεπίδα όταν ανυψώνετε το βραχίονα. Πριν από κάθε χρήση, ή μετά από την πραγματοποίηση ρυθμίσεων, ανοίξτε και κλείστε τον προφυλακτήρα (χωρίς να υπάρχει τροφοδοσία με ρεύμα) για να βεβαιωθείτε ότι ο προφυλακτήρας ανοίγει ομαλά και κλείνει πλήρως. Δεν θα πρέπει να έρχεται σε επαφή με τη λεπίδα. Με το βραχίονα επάνω, ανυψώστε τον προφυλακτήρα (χωρίς να υπάρχει τροφοδοσία με ρεύμα) όπως δείχνει η Εικόνα V και ελευθερώστε τον. Ο προφυλακτήρας θα πρέπει να κλείσει πολύ γρήγορα. Μη χρησιμοποιήσετε το πριόνι αν ο κάτω προφυλακτήρας δεν κινείται ελεύθερα και δεν κλείνει πλήρως και πολύ γρήγορα. Σε καμία περίπτωση μη συσφίξετε ή δέσετε τον προφυλακτήρα σε ανοικτή θέση όταν χρησιμοποιείτε το πριόνι. Ο προφυλακτήρας μπορεί να ανυψωθεί με το χέρι όταν εγκαθιστάτε ή αφαιρείτε λεπίδες πριονιού ή για έλεγχο του πριονιού. ΣΕ ΚΑΜΙΑ ΠΕΡΙΠΤΩΣΗ ΜΗΝ ΑΝΥΨΩΣΕΤΕ ΤΟΝ ΚΑΤΩ ΠΡΟΦΥΛΑΚΤΗΡΑ ΜΕ ΤΟ ΧΕΡΙ ΑΝ ΔΕΝ ΕΧΕΙ ΣΤΑΜΑΤΗΣΕΙ ΤΕΛΕΙΩΣ ΝΑ ΚΙΝΕΙΤΑΙ Η ΛΕΠΙΔΑ.

Σημείωση: Για ορισμένες ειδικές κοπές μεγάλων υλικών θα χρειαστεί να ανυψώσετε τον προφυλακτήρα με το χέρι. Ανατρέξτε στο τμήμα Κοπή μεγάλων υλικών στην ενότητα Ειδικές κοπές. Το μπροστινό τμήμα του προφυλακτήρα διαθέτει περσίδες για καλύτερη ορατότητα κατά την κοπή. Παρόλο που οι περσίδες περιορίζουν δραματικά τα εκτινασσόμενα σωματίδια, δεν παύουν να αποτελούν ανοίγματα στον προφυλακτήρα και γι' αυτό πρέπει πάντα να φοράτε γυαλιά ασφαλείας.

Οδηγός με ράγες

Ελέγχετε περιοδικά τις ράγες (13) για τυχόν τζόγο ή διάκενο. Μπορείτε να καθαρίζετε τις ράγες με ένα στεγνό και καθαρό πανί.

Κοπή κορνιζών φωτογραφιών, κουτιών διοράματος και άλλων κατασκευών με τέσσερις πλευρές (Εικ. R1, R2)

Για να κατανοήσετε καλύτερα πώς να κατασκευάσετε τα είδη που αναφέρονται εδώ, συνιστούμε να δοκιμάσετε μερικές απλές κατασκευές χρησιμοποιώντας άχρηστο ξύλο έως ότου αναπτύξετε μια "αίσθηση" για το πριόνι σας. Το πριόνι σας είναι το τέλειο εργαλείο για λοξή κοπή γωνιών όπως αυτών που φαίνονται στην Εικόνα R1. Το σχέδιο A στην Εικόνα R2 δείχνει μια ένωση που έγινε με χρήση της ρύθμισης φάλτσογωνιάς για φάλτσοκοπή των άκρων των δύο σανίδων σε γωνία 45° ώστε να παραχθεί μια γωνία 90°.

Για αυτή την ένωση, ο βραχίονας λοξής κοπής ήταν ασφαλισμένος στη θέση μηδέν και η ρύθμιση γωνίας φάλτσοκοπής ήταν ασφαλισμένη στις 45°. Το ξύλο τοποθετήθηκε με την πλατιά επίπεδη πλευρά σε επαφή με το τραπέζι και τη στενή ακμή σε επαφή με τον οδηγό. Η ίδια κοπή μπορεί να γίνει με λοξή κοπή δεξιά και αριστερά με την πλατιά επιφάνεια σε επαφή με τον οδηγό.

Κοπή κορνιζών φινιρίσματος και άλλων πλαισίων (Εικ. R2)

Το σχήμα B στην Εικόνα R2 δείχνει μια ένωση που έγινε με ρύθμιση του βραχίονα λοξής κοπής σε 45° για να κοπούν λοξά οι δύο σανίδες ώστε να σχηματιστεί γωνία 90°. Για να πραγματοποιήσετε αυτόν τον τύπο της ένωσης, ρυθμίστε τη γωνία φάλτσοκοπής σε μηδέν και το βραχίονα λοξής κοπής σε 45°. Και πάλι το ξύλο τοποθετείται με την πλατιά πλευρά σε επαφή με το τραπέζι και τη στενή ακμή σε επαφή με τον οδηγό.

Οι εικόνες R1 και R2 αφορούν μόνο αντικείμενα με τέσσερις πλευρές. Όταν αλλάζει ο αριθμός των πλευρών, αλλάζουν και οι γωνίες λοξής κοπής και φάλτσοκοπής. Ο πιο κάτω πίνακας αναφέρει τις σωστές ρυθμίσεις γωνίας για διάφορα σχήματα.

Παραδείγματα

Αριθμός πλευρών	Γωνία λοξής ή φάλτσας κοπής
4	45°
5	36°
6	30°
7	25,7°
8	22,5°
9	20°
10	18°

Για τη δημιουργία του πίνακα έγινε η υπόθεση ότι όλες οι πλευρές είναι ίσου μήκους. Για κάποιο σχήμα που δεν αναφέρεται στον πίνακα, χρησιμοποιήστε τον εξής υπολογιστικό τύπο: Αν διαιρέσετε το 180° με τον αριθμό των πλευρών έχετε τη γωνία λοξής κοπής (αν το υλικό κόβεται κάθετα) ή φάλτσοκοπής (αν το υλικό κόβεται ενώ στηρίζεται στην πλατιά του επιφάνεια).

Πραγματοποίηση σύνθετων λοξών κοπών (Εικ. R3)

Μια σύνθετη λοξή κοπή είναι μια κοπή που γίνεται με ταυτόχρονη χρήση γωνιάς λοξής κοπής και γωνιάς φάλτσοκοπής. Αυτός είναι ο τύπος της κοπής που χρησιμοποιείται για τη δημιουργία πλαισίων ή κιβωτιών με κεκλιμένες πλευρές όπως αυτό που φαίνεται στην εικόνα R3. **Σημείωση:** Αν η γωνία κοπής διαφέρει από κοπή σε κοπή, ελέγξτε ότι έχουν ασφαλιστεί καλά το περιστροφικό κουμπι ασφαλίσης φάλτσοκοπής και το περιστροφικό κουμπι ασφαλίσης λοξής κοπής.

Αυτά πρέπει να ασφαλιζονται μετά την πραγματοποίηση οποιασδήποτε ρύθμισης γωνίας φάλσσοκοπής ή λοξής κοπής. Το διάγραμμα στο τέλος αυτού του εγχειριδίου (Πίνακας 1) θα σας βοηθήσει να επιλέξετε τις σωστές ρυθμίσεις γωνίας φάλσσοκοπής και λοξής κοπής για συνθησιμένες σύνθετες λοξές κοπές. Για να χρησιμοποιήσετε το διάγραμμα, επιλέξτε την επιθυμητή γωνία A (Εικ. R3) για την κατασκευή σας και εντοπίστε τη γωνία αυτή στο κατάλληλο τόξο στο διάγραμμα. Από το σημείο αυτό ακολουθήστε το διάγραμμα ευθεία προς τα κάτω για να βρείτε τη σωστή γωνία φάλσσοκοπής και ευθεία οριζόντια για να βρείτε τη σωστή γωνία λοξής κοπής. Ρυθμίστε το πριόνι σας στις προβλεπόμενες γωνίες και κάνετε λίγες δοκιμαστικές κοπές. Εξασκηθείτε στη συναρμογή των κομμένων τμημάτων έως ότου αναπτύξετε μια αίσθηση για αυτή τη διαδικασία και αισθανεστε άνετα να την πραγματοποιείτε.

Παράδειγμα: Για να κατασκευάσετε ένα 4πλευρο κιβώτιο με εξωτερικές γωνίες 26° (γωνία A, Εικ. R3), χρησιμοποιήστε το πάνω δεξιά τόξο. Βρείτε τις 26° πάνω στην κλίμακα του τόξου. Ακολουθήστε την οριζόντια τέμνουσα γραμμή προς οποιαδήποτε από τις δύο πλευρές για να βρείτε τη ρύθμιση γωνίας λοξής κοπής για το πριόνι (42°). Παρομοίως, ακολουθήστε την κάθετη τέμνουσα γραμμή προς το πάνω ή το κάτω μέρος για να αποκτήσετε τη ρύθμιση γωνίας φάλσσοκοπής για το πριόνι (18°). Δοκιμάζετε πάντα τις κοπές σε λίγα κομμάτια άχρηστού ξύλου για να επαληθεύσετε τις ρυθμίσεις του πριονιού.

Κοπή σοβατεπί (εικ. S)

Ευθείες κοπές 90°:

Τοποθετήστε το ξύλο σε επαφή με τον οδηγό και συγκρατήστε το στη θέση του όπως δείχνει η Εικόνα S. Ενεργοποιήστε το πριόνι, αφήστε τη λεπίδα να φθάσει σε πλήρη ταχύτητα και χαμηλώστε τον βραχιόνα ομαλά σε όλη την κοπή.

Κοπή σοβατεπί ύψους έως 3.5" (90 mm) σε επαφή κάθετα με τον οδηγό

Τοποθετήστε το υλικό όπως δείχνει η Εικόνα S. Όλες οι κοπές θα πρέπει να γίνονται με την πίσω πλευρά του σοβατεπί σε επαφή με τον οδηγό και με το κάτω μέρος του σοβατεπί σε επαφή με το τραπέζι.

	Εσωτερική γωνία	Εξωτερική γωνία
Αριστερή πλευρά	Λοξή κοπή αριστερά 45° Φυλάξτε την αριστερή πλευρά της κοπής	Λοξή κοπή δεξιά 45° Φυλάξτε την αριστερή πλευρά της κοπής
Δεξιά πλευρά	Λοξή κοπή δεξιά 45° Φυλάξτε τη δεξιά πλευρά της κοπής	Λοξή κοπή αριστερά 45° Φυλάξτε τη δεξιά πλευρά της κοπής

Με τη διαδικασία που περιγράφηκε πιο πάνω μπορεί να κοπεί υλικό έως 3.5" (90 mm).

Κοπή κορνίζας οροφής

Για να εφαρμόσει σωστά, η κορνίζα οροφής πρέπει να κοπεί με σύνθετες λοξές κοπές εξαιρετικής ακριβείας.

Οι δύο επίπεδες επιφάνειες σε ένα τμήμα κορνίζας οροφής είναι σε γωνίες οι οποίες, αν προστεθούν δίνουν ακριβώς 90°. Οι περισσότερες, αλλά όχι όλες οι κορνίζες οροφής έχουν μια πάνω πίσω γωνία (το τμήμα που εφάπτεται στην οροφή) μεγέθους 52° και κάτω πίσω γωνία (το τμήμα που εφάπτεται στον τοίχο) μεγέθους 38°.

Το φάλσσοπριόνι σας έχει ειδικά προρρυθμισμένα σημεία ασφάλισης στις 31,6° αριστερά και δεξιά για την κοπή κορνίζας οροφής στη σωστή γωνία. Επίσης υπάρχει σημάδι στην κλίμακα φάλσσοκοπής στις 33,8°.

Ο πίνακας Ρύθμιση φάλσσοκοπής/Τύπος κοπής δίνει τις σωστές ρυθμίσεις για την κοπή κορνίζας οροφής. (Οι αριθμοί για της ρυθμίσεις λοξής κοπής και φάλσσοκοπής είναι πολύ ακριβείς και δεν είναι εύκολο να ρυθμιστούν με ακρίβεια στο πριόνι σας.) Επειδή τα περισσότερα δωμάτια δεν έχουν γωνίες ακριβώς 90°, θα χρειαστεί ούτως ή άλλως να προσαρμόσετε τις ρυθμίσεις σας με λεπτομέρεια.

Οδηγίες κοπής κορνίζας οροφής με την επίπεδη πλευρά στο τραπέζι και με χρήση των δυνατοτήτων σύνθετης κοπής

- Τοποθετήστε την κορνίζα με την πλατιά πίσω επιφάνεια να εφάπτεται πλήρως με την επιφάνεια του τραπεζιού του πριονιού (36) (εικ. T1).
- Οι παρακάτω ρυθμίσεις είναι για όλες τις συνήεις κορνίζες οροφής με γωνίες 52° και 38°.

Ρύθμιση φάλσσοκοπής	Τύπος κοπής
33,8°	ΑΡΙΣΤΕΡΗ ΠΛΕΥΡΑ, ΕΣΩΤΕΡΙΚΗ ΓΩΝΙΑ: 1. Πάνω μέρος της κορνίζας σε επαφή με τον οδηγό 2. Τραπέζι λοξής κοπής ρυθμισμένο δεξιά στις 31,62° 3. Φυλάξτε το αριστερό άκρο της κοπής
33,8°	ΔΕΞΙΑ ΠΛΕΥΡΑ, ΕΣΩΤΕΡΙΚΗ ΓΩΝΙΑ: 1. Κάτω μέρος της κορνίζας σε επαφή με τον οδηγό 2. Τραπέζι λοξής κοπής ρυθμισμένο αριστερά στις 31,62° 3. Φυλάξτε το αριστερό άκρο της κοπής
33,8°	ΑΡΙΣΤΕΡΗ ΠΛΕΥΡΑ, ΕΞΩΤΕΡΙΚΗ ΓΩΝΙΑ: 1. Κάτω μέρος της κορνίζας σε επαφή με τον οδηγό 2. Τραπέζι λοξής κοπής ρυθμισμένο αριστερά στις 31,62° 3. Φυλάξτε το δεξιά άκρο της κοπής
33,8°	ΔΕΞΙΑ ΠΛΕΥΡΑ, ΕΞΩΤΕΡΙΚΗ ΓΩΝΙΑ: 1. Πάνω μέρος της κορνίζας σε επαφή με τον οδηγό 2. Τραπέζι λοξής κοπής ρυθμισμένο δεξιά στις 31,62° 3. Φυλάξτε το δεξιά άκρο της κοπής

Σημείωση: Όταν ρυθμίζετε τις γωνίες φάλτσας και λοξής κοπής για όλες τις σύνθετες λοξές κοπές, να θυμάστε ότι οι γωνίες που παρουσιάζονται για κορνίζες οροφής είναι πολύ ακριβείς και είναι δύσκολο να ρυθμιστούν ακριβώς. Επειδή μπορούν να μετακινηθούν ελαφρά και πολύ λίγα δωμάτια έχουν ακριβώς ορθογώνιες γωνίες, πρέπει να δοκιμάσετε όλες τις ρυθμίσεις σε άχρηστα κομμάτια κορνίζας.

Εναλλακτική μέθοδος κοπής κορνίζας οροφής

Τοποθετήστε την κορνίζα υπό γωνία ανάμεσα στον οδηγό (11) και στο τραπέζι (36) της λεπίδας πριονιού, με την πάνω πλευρά της κορνίζας πάνω στο τραπέζι και την κάτω πλευρά της λεπίδας πάνω στον οδηγό όπως δείχνει η εικόνα T1. Το πλεονέκτημα στην κοπή κορνίζας οροφής με αυτή τη μέθοδο είναι ότι δεν χρειάζεται φαλτασοκοπή. Πολύ μικρές αλλαγές στη γωνία λοξής κοπής μπορούν να γίνουν χωρίς να επηρεαστεί η γωνία φαλτασοκοπής. Με αυτό τον τρόπο, όταν αντιμετωπίζετε γωνίες άλλες από 90°, το πριόνι μπορεί να ρυθμιστεί γρήγορα και εύκολα για τις γωνίες αυτές.

Οδηγίες κοπής κορνίζας οροφής σε γωνία ανάμεσα στον οδηγό και τη βάση του τραπέζιού για όλες τις κοπές

Αυτό το πριόνι μπορεί να κόψει έως 9/16" (14 mm) x 3-5/8" (92 mm) κορνίζας οροφής.

- ◆ Δώστε στο υλικό της κορνίζας γωνία τέτοια ώστε το κάτω μέρος του (το μέρος που στηρίζεται στον τοίχο όταν εγκατασταθεί η κορνίζα) να είναι σε επαφή με τον οδηγό (11) και το πάνω μέρος της κορνίζας να εδράζεται πάνω στο τραπέζι πριονιού (36), όπως δείχνει η εικόνα T2.
- ◆ Τα υπό γωνία "επίπεδα" τμήματα στο πίσω μέρος της κορνίζας πρέπει να εδράζονται τέλεια στον οδηγό και στο τραπέζι πριονιού (36).

	Εσωτερική γωνία	Εξωτερική γωνία
Αριστερή πλευρά	Λοξή κοπή δεξιά στις 45° Φυλάξτε τη δεξιά πλευρά της κοπής	Λοξή κοπή αριστερά στις 45° Φυλάξτε τη δεξιά πλευρά της κοπής
Δεξιά πλευρά	Λοξή κοπή αριστερά στις 45° Φυλάξτε την αριστερή πλευρά της κοπής	Λοξή κοπή δεξιά στις 45° Φυλάξτε την αριστερή πλευρά της κοπής

Ειδικές κοπές

Ποτέ μην πραγματοποιήσετε οποιαδήποτε κοπή αν το υλικό δεν είναι στερεωμένο πάνω στο τραπέζι και σε επαφή με τον οδηγό.

Κυρτωμένο υλικό (εικ. U1, U2)

Όταν κόβετε κυρτωμένο υλικό πάντα ρυθμίζετε τη θέση του όπως φαίνεται στην εικόνα U1 και σε καμία περίπτωση όπως δείχνει η εικόνα U2. Η λανθασμένη τοποθέτηση του υλικού θα προκαλέσει την ενσφύνωση της λεπίδας όταν πλησιάζει η ολοκλήρωση της κοπής.

Κοπή στρογγυλών υλικών

Τα στρογγυλά υλικά πρέπει να συσφιγγονται ή να συγκρατούνται σταθερά ως προς τον οδηγό για να αποτραπεί η κύλισή τους. Αυτό είναι εξαιρετικά σημαντικό κατά την πραγματοποίηση κοπών υπό γωνία.

Κοπή μεγάλων υλικών (εικ. V)

Κατά καιρούς θα αντιμετωπίζετε κάποιο κομμάτι ξύλου που θα είναι πολύ μεγάλο για να χωρέσει κάτω από τον κάτω προφυλακτήρα. Για να περάσετε τον προφυλακτήρα πάνω από το ξύλο, με το πριόνι απενεργοποιημένο και με το δεξιό σας χέρι πάνω στη λαβή χειρισμού, τοποθετήστε το δεξιό σας αντίχειρα έξω από το πάνω τμήμα του προφυλακτήρα και ανεβάστε τον προφυλακτήρα μόνον όσο αρκεί για να περάσετε το ξύλο, όπως δείχνει η εικόνα V. Ελευθερώστε τον προφυλακτήρα πριν θέσετε σε λειτουργία το μοτέρ. Ο μηχανισμός του προφυλακτήρα θα λειτουργεί κανονικά κατά τη διάρκεια της κοπής. Αυτό πρέπει να το κάνετε μόνον όταν είναι απαραίτητο.

ΣΕ ΚΑΜΙΑ ΠΕΡΙΠΤΩΣΗ ΜΗ ΔΕΣΕΤΕ, ΚΟΛΛΗΣΕΤΕ ΜΕ ΤΑΙΝΙΑ Η ΣΥΓΚΡΑΤΗΣΕΤΕ ΜΕ ΟΠΟΙΟΝΔΗΠΟΤΕ ΑΛΛΟ ΤΡΟΠΟ ΤΟΝ ΠΡΟΦΥΛΑΚΤΗΡΑ ΣΕ ΑΝΟΙΚΤΗ ΘΕΣΗ ΚΑΤΑ ΤΗ ΧΡΗΣΗ ΤΟΥ ΠΡΙΟΝΙΟΥ ΑΥΤΟΥ.

Συντήρηση

Προειδοποίηση! Για να μειώσετε τον κίνδυνο σοβαρού τραυματισμού, απενεργοποιήστε το εργαλείο και αφαιρέστε το πακέτο μπαταρίας πριν το μεταφέρετε, κάνετε οποιοσδήποτε ρυθμίσεις ή πριν αφαιρέσετε/τοποθετήσετε προσαρτήματα ή παρελκόμενα. Τυχόν αθέλητη εκκίνηση μπορεί να προκαλέσει τραυματισμό.

Προειδοποίηση! Για να μειώσετε τον κίνδυνο σοβαρού τραυματισμού, ΜΗΝ αγγίζετε τις αιχμηρές μύτες της λεπίδας με γυμνά δάκτυλα ή χέρια ενώ εκτελείτε οποιαδήποτε συντήρηση. ΜΗ χρησιμοποιείτε λιπαντικά ή καθαριστικά (ειδικά σπρέι ή αεροζόλ) σε γεινίαση με τον πλαστικό προφυλακτήρα. Το πολυκαρβονικό υλικό που χρησιμοποιείται στον προφυλακτήρα επηρεάζεται από ορισμένα χημικά.

- ◆ Όλα τα έδρανα είναι σφραγισμένα. Έχουν λιπανθεί για όλη τη διάρκεια ζωής τους και δεν χρειάζονται άλλη συντήρηση.
- ◆ Περιοδικά καθαρίζετε όλη τη σκόνη και τα πριονίδια από γύρω ΚΑΙ ΚΑΤΩ από τη βάση και το περιστροφικό τραπέζι. Παρόλο που έχουν προβλεφθεί σχισμές για να μπορούν να φύγουν να υπολειμματα, θα συσσωρευτεί κάποια ποσότητα σκόνης.
- ◆ Οι ψήκτρες έχουν σχεδιαστεί ώστε να σας παρέχουν αρκετά χρόνια χρήσης. Αν ποτέ χρειαστούν αντικατάσταση, παραδώστε το εργαλείο στο πλησιέστερο κέντρο σέρβις για επισκευή.

Αντιμετώπιση προβλημάτων

Πρόβλημα	Πιθανή αιτία	Λύση
Το πριόνι δεν τίθεται σε λειτουργία.	Δεν έχει εγκατασταθεί μπαταρία.	Εγκαταστήστε μπαταρία. Ανατρέξτε στην ενότητα Εγκατάσταση και αφαίρεση πακέτου μπαταρίας.
	Η μπαταρία δεν είναι φορτισμένη.	Φορτίστε την μπαταρία. Ανατρέξτε στη Διαδικασία φόρτισης.
	Οι ψήκτρες είναι φθαρμένες	Αναθέστε την αντικατάσταση των ψηκτρών σε εξουσιοδοτημένο κέντρο σέρβις.
Το πριόνι πραγματοποιεί μη ικανοποιητικές κοπές.	Στομαωμένη λεπίδα.	Αντικαταστήστε τη λεπίδα. Ανατρέξτε στην ενότητα Αλλαγή ή εγκατάσταση νέας λεπίδας πριονιού.
	Η λεπίδα έχει τοποθετηθεί ανάποδα.	Γυρίστε τη λεπίδα από την άλλη πλευρά. Ανατρέξτε στην ενότητα Αλλαγή ή εγκατάσταση νέας λεπίδας πριονιού.
	Ρετσίνοι ή πίσσα πάνω στη λεπίδα.	Αφαιρέστε τη λεπίδα και καθαρίστε τη με χονδρό σύρμα τριψίματος και νεφτί ή οικιακό καθαριστικό φούρνου.
	Λανθασμένη λεπίδα για την εκτελούμενη εργασία.	Αλλάξτε τύπο λεπίδας.
Το φως εργασίας αναβοβλινεί.	Η μπαταρία δεν είναι φορτισμένη	Φορτίστε την μπαταρία. Ανατρέξτε στη Διαδικασία φόρτισης.
Το μηχανήμα δονείται υπερβολικά.	Το πριόνι δεν έχει στερεωθεί καλά στη βάση ή στον πάγκο εργασίας.	Σφίξτε όλα τα εξαρτήματα στερέωσης. Ανατρέξτε στη Στερέωση σε πάγκο.
	Η βάση ή ο πάγκος είναι σε ανομοιόμορφο δάπεδο.	Τοποθετήστε σε επίπεδη και οριζόντια επιφάνεια.
	Έχει υποστεί ζημιά η λεπίδα πριονιού.	Αντικαταστήστε τη λεπίδα. Ανατρέξτε στην ενότητα Αλλαγή ή εγκατάσταση νέας λεπίδας πριονιού.
Δεν επιτυγχάνονται ακριβείς λοξές κοπές.	Η κλίμακα λοξής κοπής δεν έχει ρυθμιστεί σωστά.	Ελέγξτε και ρυθμίστε. Ανατρέξτε στη Ρύθμιση κλίμακας λοξής κοπής στην ενότητα Ρυθμίσεις.
	Η λεπίδα δεν είναι γωνιασμένη με τον οδηγό.	Ελέγξτε και ρυθμίστε. Ανατρέξτε στη Ρύθμιση κλίμακας λοξής κοπής στην ενότητα Ρυθμίσεις.
	Η λεπίδα δεν είναι κάθετη στο τραπέζι.	Ελέγξτε και ρυθμίστε τον οδηγό. Ανατρέξτε στη Ρύθμιση καθετότητας λεπίδας ως προς το τραπέζι στην ενότητα Ρυθμίσεις.
	Το αντικείμενο εργασίας κινείται	Στερεώστε το αντικείμενο εργασίας σταθερά με σύσφιξη ως προς τον οδηγό ή κολλήστε γυαλόχαρτο νοούμερο 120 στον οδηγό χρησιμοποιώντας κόλλα.
	Πλάκα εντομής φθαρμένη ή έχει ζημιά.	Παραδώστε το μηχανήμα σε εξουσιοδοτημένο κέντρο σέρβις.
Η λεπίδα σφηνώνει από υλικό.	Κοπή κυρτωμένου υλικού.	Ανατρέξτε στο τμήμα Κυρτωμένο υλικό στην ενότητα Ειδικές κοπές.

Τα προϊόντα και οι μπαταρίες περιέχουν υλικά που μπορούν να ανακτηθούν ή να ανακυκλωθούν ώστε να μειωθούν οι ανάγκες για πρώτες ύλες. Παρακαλούμε να ανακυκλώνετε τα ηλεκτρικά προϊόντα και τις μπαταρίες σύμφωνα με τους τοπικούς κανονισμούς. Περισσότερες πληροφορίες διατίθενται στον ιστότοπο www.2helpU.com

Τεχνικά χαρακτηριστικά

SFMC5701 (H1)			
Τάση	V		18
Ταχύτητα	/λεπτό		3.800
Εξωτερική διάμετρος λεπίδας	mm		190
Διάμετρος οπής	mm		16
Μέγ. εντομή λεπίδας	mm		1,8
Βάρος χωρίς μπαταρία	kg		10
Πάχος λεπίδας	mm		1,0
Λοξή κοπή (μέγ. γωνία)	°		47
Φαλτσκοπή (μέγ. γωνία)	°		47
λοξή κοπή 0 μοιρών	οριζόντια	mm	50 x 216
	κάθετα	mm	90 x 15
λοξή κοπή 45 μοιρών δεξιά	οριζόντια	mm	50 x 152
	κάθετα	mm	90 x 15
λοξή κοπή 45 μοιρών αριστερά	οριζόντια	mm	50 x 152
	κάθετα	mm	90 x 15
φαλτσκοπή 45 μοιρών αριστερά	οριζόντια	mm	50 x 152
	κάθετα	mm	50 x 15

Μπαταρία		SFMCB201	SFMCB202	SFMCB204	SFMCB206
Τάση	V_{DC}	18	18	18	18
Χωρητικότητα	Ah	1,5	2,0	4,0	6,0
Τύπος		Ιόντων λιθίου	Ιόντων λιθίου	Ιόντων λιθίου	Ιόντων λιθίου

Φορτιστής		SFMCB11	SFMCB12	SFMCB14
Τάση εισόδου	V_{AC}	230	230	230
Τάση εξόδου	V_{DC}	18	18	18
Ρεύμα	A	1,25	2	4

Στάθμη ηχητικής πίεσης κατά EN 62841:

 L_{pA} (ηχητική πίεση) 83,0 dB(A), Αβεβαιότητα (Κ) 3 dB(A)
 L_{WA} (ηχητική ισχύς) 94,5 dB(A), Αβεβαιότητα (Κ) 3 dB(A)

Προστασία του περιβάλλοντος



Χωριστή συλλογή. Τα προϊόντα και οι μπαταρίες που επισημαίνονται με αυτό το σύμβολο δεν πρέπει να απορρίπτονται μαζί με τα κανονικά οικιακά απορρίμματα.

Δήλωση συμμόρφωσης ΕΚ ΟΔΗΓΙΑ ΠΕΡΙ ΜΗΧΑΝΗΜΑΤΩΝ



SFMC5701 Συρόμενο σύνθετο φαλτσοπρίοιο μπαταρίας

Η Stanley Europe δηλώνει ότι αυτά τα προϊόντα που περιγράφονται στα "τεχνικά χαρακτηριστικά" συμμορφώνονται με τα εξής:
EN62841-1:2015, EN62841-3-9:2015+A11:2017

Αυτά τα προϊόντα συμμορφώνονται επίσης με την Οδηγία 2006/42/ΕΚ, 2014/30/ΕΕ και 2011/65/ΕΕ.

Για περισσότερες πληροφορίες, παρακαλείστε να επικοινωνήσετε με την STANLEY FATMAX στην παρακάτω διεύθυνση ή να ανατρέξετε στο πίσω μέρος του εγχειριδίου.

Ο κάτωθι υπογεγραμμένος είναι υπεύθυνος για την κατάρτιση του τεχνικού φακέλου και δηλώνει τα παρόντα εκ μέρους της STANLEY FATMAX.

Ed Higgins

Διευθυντής - Ηλεκτρικά εργαλεία καταναλωτών
Stanley Europe, Egide Walschaertsstraat14-18,
2800 Mechelen, Belgium (Βέλγιο)
08/05/2020

Εγγύηση

Η Stanley Europe είναι σίγουρη για την ποιότητα των προϊόντων της και προσφέρει στους καταναλωτές εγγύηση 12 μηνών από την ημερομηνία αγοράς. Αυτή η εγγύηση συμπληρώνει και με κανένα τρόπο δεν παραβιάζει τα νόμιμα δικαιώματά σας. Η εγγύηση ισχύει εντός της επικράτειας των χωρών μελών της Ευρωπαϊκής Ένωσης και της Ευρωπαϊκής Ζώνης Ελεύθερων Συναλλαγών.

Για να υποβάλετε αξίωση βάσει της εγγύησης, η αξίωση θα πρέπει να είναι σύμφωνη με τους Όρους και τις Προϋποθέσεις της STANLEY FATMAX και θα χρειαστεί να υποβάλετε απόδειξη αγοράς στον πωλητή ή σε εξουσιοδοτημένο αντιπρόσωπο επισκευών. Μπορείτε να αποκτήσετε τους Όρους και προϋποθέσεις της εγγύησης Stanley Europe 1 έτους και να μάθετε την τοποθεσία του πλησιέστερου εξουσιοδοτημένου αντιπροσώπου επισκευών στο Internet στο www.2helpU.com, ή επικοινωνώντας με το τοπικό σας γραφείο Stanley Europe στη διεύθυνση που υποδεικνύεται στο παρόν εγχειρίδιο.

Επισκεφθείτε τον ιστότοπό μας www.stanley.eu/3 για να καταχωρίσετε το καινούργιο προϊόν STANLEY FATMAX που αποκτήσατε και για να λαμβάνετε ενημερώσεις σχετικά με νέα προϊόντα και ειδικές προσφορές.

België/Belgique	Stanley Fat Max E. Walschaertstraat 14-16 2800 Mechelen Belgium	De. Tel. +32 70 220 065 Fr. Tel. +32 70 220 066 Fax +32 15 473 799 www.stanleytools.eu Enduser.be@SBDinc.com
Danmark	Stanley Fat Max Farveland 1B 2600 Glostrup	Tel. 70 20 15 10 Fax 70 22 49 10 www.stanleyworks.dk
Deutschland	Stanley Fat Max Richard Klinger Str. 11, D - 65510 Idstein	Tel. 06126 21-1 Fax 06126 21-2770
Ελλάδα	Stanley Fat Max. Στράβωνος 7 & Λεωφ. Βουλιαγμένης 159 Γλυφάδα 166 74 - Αθήνα	Τηλ. +30 210 8981-616 Φαξ +30 210 8983-285 www.stanleyworks.gr
España	Stanley Fat Max. Parc de Negocis "Mas Blau" Edificio Muntadas, c/Bergadá, 1, Of. A6 08820 El Prat de Llobregat (Barcelona)	Tel. 934 797 400 Fax 934 797 419 respuesta.postventa@sbdinc.com www.stanleyworks.es
France	Stanley Fat Max 5 allée des Hêtres B.P. 30084 69579 Limonest Cédex	Tel. 04 72 20 39 20 Fax 04 72 20 39 00 www.stanleyouillage.fr
Helvetia	Stanley Fat Max In der Luberzen 40 8902 Urdorf	Tel. 01 730 67 47 Fax 01 730 70 67 www.stanleyworks.de
Italia	Stanley Fat Max EnergyPark-Building 03 sud, Via Monza 7/A 20871 Vimercate (MB)	Tel. 039-9590200 Fax 039-9590313 www.stanley.it
Nederland	Stanley Fat Max Joulehof 12, 4600 RG Bergen op Zoom	Tel. +31 164 283 065 Fax +31 164 283 200 Enduser.NL@SBDinc.com
Norge	Stanley Fat Max Postboks 4613, Nydalen 0405 Oslo	Tlf. 45 25 13 00 Fax 45 25 08 00
Österreich	Stanley Fat Max Oberlaaerstraße 248, A-1230 Wien	Tel. 01 66116-0 Fax 01 66116-614 www.stanleyworks.de
Portugal	Stanley Fat Max Centro de Escritórios de Sintra Avenida Almirante Gago Coutinho, 132/134, Edifício 142710-418 Sintra 2710-418 Lisboa	Tel. 214667500 Fax 214667575 resposta.posvenda@sbdinc.com
Suomi	Stanley Fat Max Tekniikantie 12, 02150 Espoo	Puh. 010 400 430 Faksi 0800 411 340 www.stanleyworks.fi
Sverige	Stanley Fat Max Box 94, 431 22 Mölndal	Tel. 031-68 61 00 Fax 031-68 60 08
Türkiye	Stanley Fat Max KALE Hırdavat ve Makina A.Ş. Defterdar Mah. Savaklar Cad. No:15 Edirnekapı / Eyüp / İSTANBUL 34050	Puh. 0212 533 52 55 Faks 0212 533 10 05 www.stanleyworks.fi
United Kingdom	Stanley Fat Max 270 Bath Road Slough, Berkshire SL1 4DX	Tel. +44 (0)1753 511234 Fax +44 (0)1753 551155 www.stanleytools.co.uk
Middle East & Africa	Stanley Fat Max P.O.Box - 17164 Jebel Ali (South Zone), Dubai, UAE	Tel. +971 4 8127400 Fax +971 4 8127036 www.stanleyworks.ae