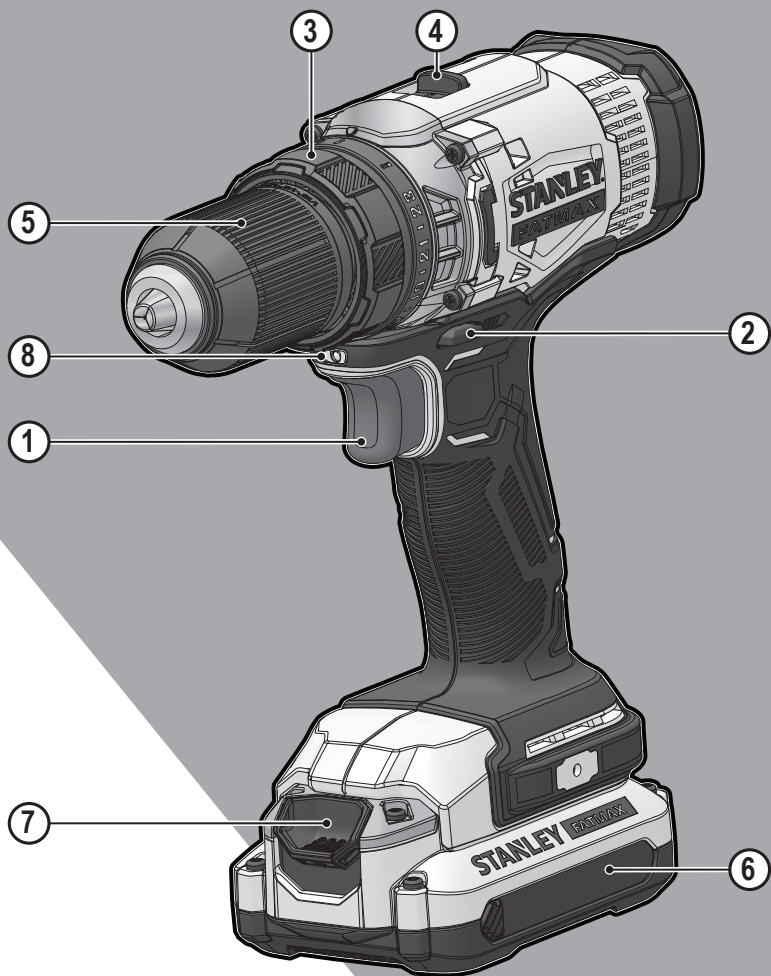


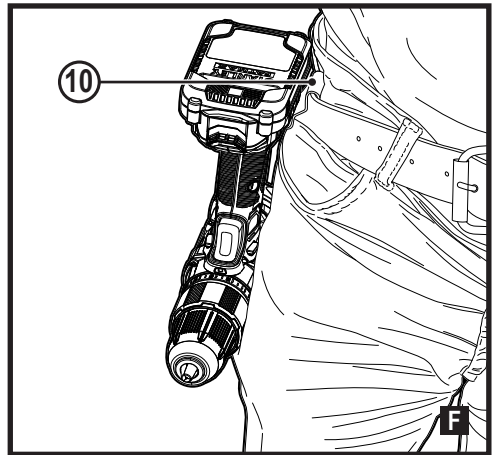
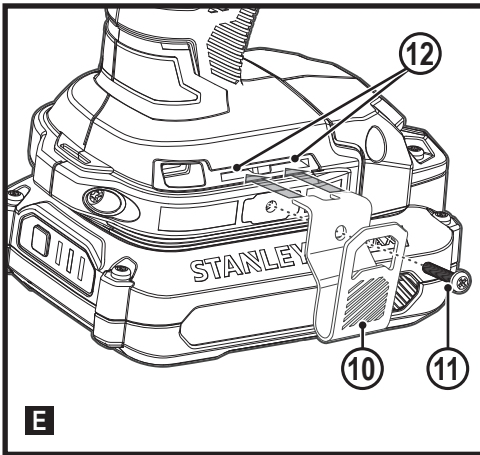
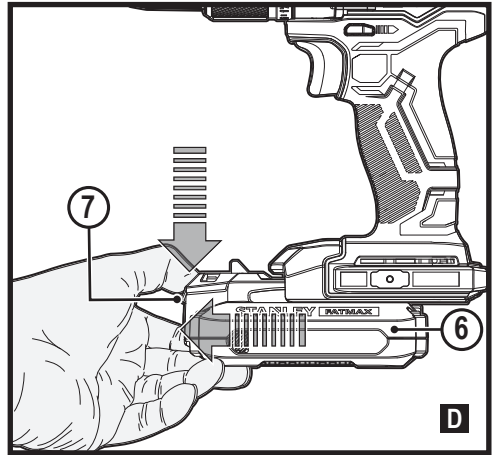
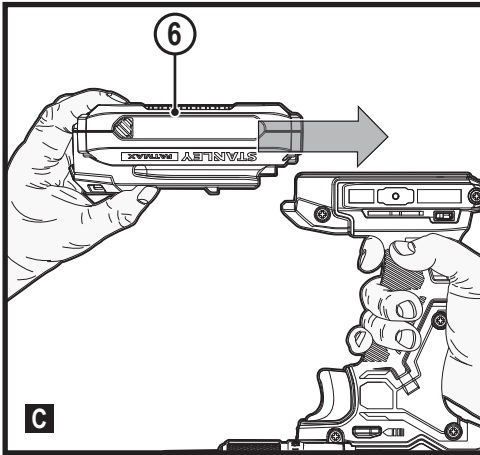
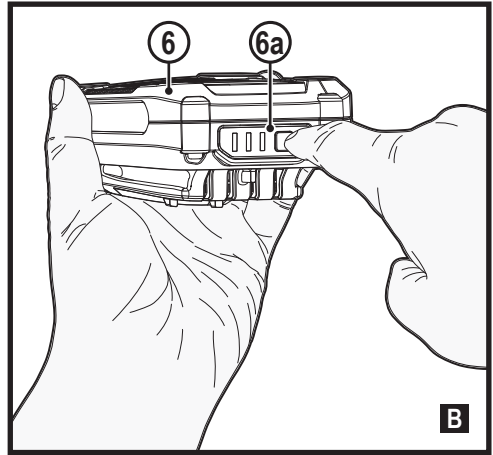
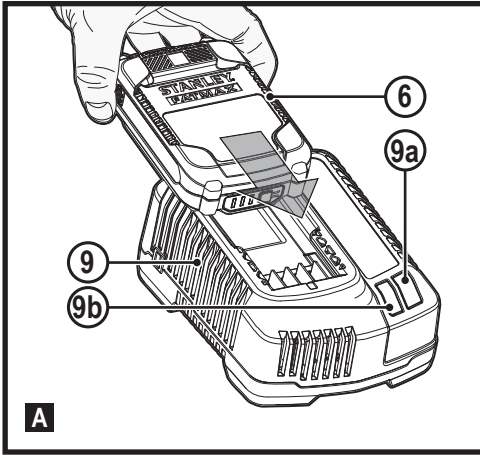
# STANLEY<sup>®</sup> FATMAX<sup>®</sup> V20 LITHIUM ION

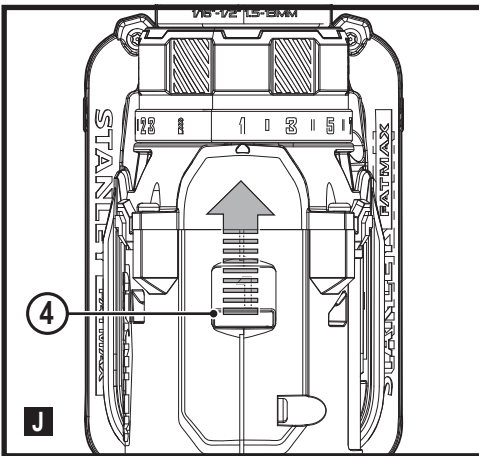
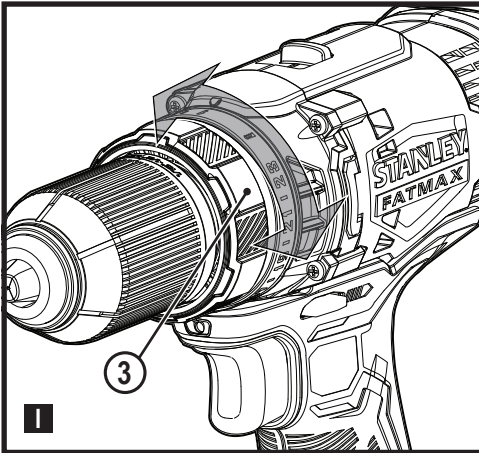
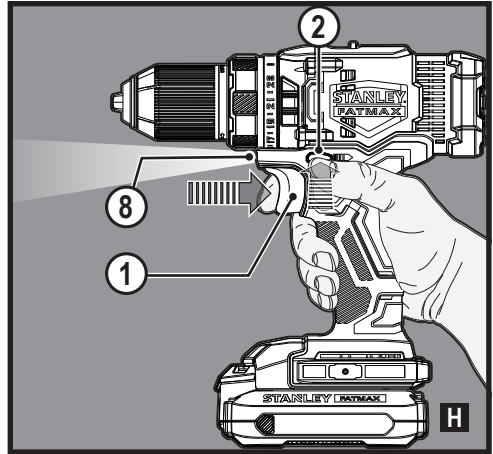
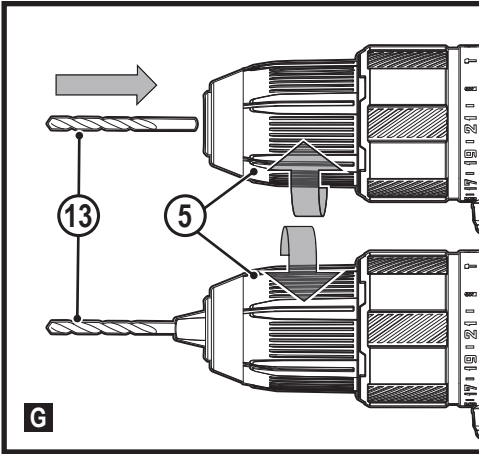


[www.stanley.eu](http://www.stanley.eu)

SFMCD700

|  |    |
|--|----|
| English ( <b>original instructions</b> )                             | 4  |
| Deutsch ( <i>übersetzt von den originalanweisungen</i> )             | 12 |
| Français ( <i>traduction de la notice d'instructions originale</i> ) | 20 |
| Italiano ( <i>tradotto dalle istruzioni originali</i> )              | 28 |
| Nederlands ( <i>vertaald vanuit de originele instructies</i> )       | 36 |
| Español ( <i>traducido de las instrucciones originales</i> )         | 44 |
| Português ( <i>traduzido das instruções originais</i> )              | 52 |
| Svenska ( <i>översatt från de ursprungliga instruktionerna</i> )     | 60 |
| Norsk ( <i>oversatt fra de originale instruksjonene</i> )            | 67 |
| Dansk ( <i>oversat fra original brugsvejledning</i> )                | 74 |
| Suomi ( <i>käännetty alkuperäisestä käyttöohjeesta</i> )             | 81 |
| Ελληνικά ( <i>μετάφραση από τις πρωτότυπες οδηγίες</i> )             | 88 |





**Intended use**

Your STANLEY FATMAX SFMCD700 drill/screwdriver has been designed for screwdriving applications and for drilling in wood, metal and plastics. This appliance is intended for professional and private, non professional users.

**Safety instructions**

**General power tool safety warnings**



**Warning! Read all safety warnings, instructions, illustrations and specifications provided with this power tool.** Failure to follow the warnings and instructions listed below may result in electric shock, fire and/or serious injury..

**Save all warnings and instructions for future reference.**

The term "power tool" in all of the warnings listed below refers to your mains operated (corded) power tool or battery operated (cordless) power tool.

1. **Work area safety**
  - a. **Keep work area clean and well lit.** Cluttered or dark areas invite accidents.
  - b. **Do not operate power tools in explosive atmospheres, such as in the presence of flammable liquids, gases or dust.** Power tools create sparks which may ignite the dust or fumes.
  - c. **Keep children and bystanders away while operating a power tool.** Distractions can cause you to lose control.
  
2. **Electrical safety**
  - a. **Power tool plugs must match the outlet. Never modify the plug in any way.**

- Do not use any adapter plugs with earthed (grounded) power tools.** Unmodified plugs and matching outlets will reduce risk of electric shock.
- b. **Avoid body contact with earthed or grounded surfaces such as pipes, radiators, ranges and refrigerators.** There is an increased risk of electric shock if your body is earthed or grounded.
  - c. **Do not expose power tools to rain or wet conditions.** Water entering a power tool will increase the risk of electric shock.
  - d. **Do not abuse the cord. Never use the cord for carrying, pulling or unplugging the power tool. Keep cord away from heat, oil, sharp edges or moving parts.** Damaged or entangled cords increase the risk of electric shock.
  - e. **When operating a power tool outdoors, use an extension cord suitable for outdoor use.** Use of a cord suitable for outdoor use reduces the risk of electric shock.
  - f. **If operating a power tool in a damp location is unavoidable, use a residual current device (RCD) protected supply.** Use of an RCD reduces the risk of electric shock.
3. **Personal safety**
    - a. **Stay alert, watch what you are doing and use common sense when operating a power tool.**  
Do not use a power tool while you are tired or under the influence of drugs, alcohol or medication. A moment of inattention while operating power tools may result in serious personal injury.
    - b. **Use personal protective equipment. Always wear eye protection.** Protective equipment such as dust mask, non-skid safety shoes, hard hat, or hearing protection used for appropriate conditions will reduce personal injuries.
    - c. **Prevent unintentional starting. Ensure the switch is in the off-position before connecting to power source and/or battery pack, picking up or carrying the tool.** Carrying power tools with your finger on the switch or energising power tools that have the switch on invites accidents.
    - d. **Remove any adjusting key or wrench before turning the power tool on.** A wrench or a key left attached to a rotating part of the power tool may result in personal injury.
    - e. **Do not overreach. Keep proper footing and balance at all times.** This enables better control of the power tool in unexpected situations.
    - f. **Dress properly. Do not wear loose clothing or jewellery. Keep your hair, clothing and gloves away from moving parts.** Loose clothes, jewellery or long hair can be caught in moving parts.
    - g. **If devices are provided for the connection of dust extraction and collection facilities, ensure these are connected and properly used.** Use of dust collection can reduce dust-related hazards.
    - h. **Do not let familiarity gained from frequent use of tools allow you to become complacent and ignore tool safety principles.** A careless action can cause severe injury within a fraction of a second.
  4. **Power tool use and care**
    - a. **Do not force the power tool. Use the correct power tool for your application.**  
The correct power tool will do the job better and safer at the rate for which it was designed.
    - b. **Do not use the power tool if the switch does not turn it on and off.** Any power tool that cannot be controlled with the switch is dangerous and must be repaired.
    - c. **Disconnect the plug from the power source and/or the battery pack from the power tool before making any adjustments, changing accessories, or storing power tools.** Such preventive safety measures reduce the risk of starting the power tool accidentally.
    - d. **Store idle power tools out of the reach of children and do not allow persons unfamiliar with the power tool or these instructions to operate the power tool.**  
Power tools are dangerous in the hands of untrained users.
    - e. **Maintain power tools and accessories. Check for misalignment or binding of moving parts, breakage of parts and any other condition that may affect the power tools operation. If damaged, have the power tool repaired before use.** Many accidents are caused by poorly maintained power tools.
    - f. **Keep cutting tools sharp and clean.** Properly maintained cutting tools with sharp cutting edges are less likely to bind and are easier to control.
    - g. **Use the power tool, accessories and tool bits etc. in accordance with these instructions, taking into account the working conditions and the work to be performed.**  
Use of the power tool for operations different from those intended could result in a hazardous situation.
    - h. **Keep handles and grasping surfaces dry, clean and free from oil and grease.** Slippery handles and grasping surfaces do not allow for safe handling and control of the tool in unexpected situations.
  5. **Battery tool use and care**
    - a. **Recharge only with the charger specified by the manufacturer.** A charger that is suitable for one type of battery pack may create a risk of fire when used with another battery pack.

- b. **Use power tools only with specifically designated battery packs.** Use of any other battery packs may create a risk of injury and fire.
- c. **When battery pack is not in use, keep it away from other metal objects, like paper clips, coins, keys, nails, screws, or other small metal objects, that can make a connection from one terminal to another.** Shorting the battery terminals together may cause burns or a fire.
- d. **Under abusive conditions, liquid may be ejected from the battery; avoid contact. If contact accidentally occurs, flush with water. If liquid contacts eyes, additionally seek medical help.** Liquid ejected from the battery may cause irritation or burns.
- e. **Do not use a battery pack or tool that is damaged or modified.** Damaged or modified batteries may exhibit unpredictable behaviour resulting in fire, explosion or risk of injury.
- f. **Do not expose a battery pack or tool to fire or excessive temperature.** Exposure to fire or temperature above 130 °C may cause explosion.  
**Note:** The temperature „130 °C“ can be replaced by the temperature „265 °F“.
- g. **Follow all charging instructions and do not charge the battery pack or tool outside the temperature range specified in the instructions.** Charging improperly or at temperatures outside the specified range may damage the battery and increase the risk of fire.

## 6. Service

- a. **Have your power tool serviced by a qualified repair person using only identical replacement parts. This will ensure that the safety of the power tool is maintained.**
- b. **Never service damaged BATTERY packs. Service of BATTERY packs should only be performed by the manufacturer or authorized service providers.**

## Additional power tool safety warnings



**Warning!** Additional safety warnings for screwdrivers.

- ◆ **Hold the power tool by insulated gripping surfaces, when performing an operation where the cutting accessory may contact hidden wiring.** Cutting accessory contacting a "live" wire may make exposed metal parts of the power tool "live" and could give the operator an electric shock.
- ◆ **Wear ear protectors with impact drilling.** Exposure to noise can cause hearing loss.
- ◆ **Use auxiliary handles supplied with the tool.** Loss of control can cause personal injury.
- ◆ **Brace the tool properly before use.** This tool produces a high output torque and without

properly bracing the tool during operation, loss of control may occur resulting in personal injury.

## Safety instructions when using long drill bits

- ◆ **Never operate at higher speed than the maximum speed rating of the drill bit.** At higher speeds, the bit is likely to bend if allowed to rotate freely without contacting the workpiece, resulting in personal injury.
- ◆ **Always start drilling at low speed and with the bit tip in contact with the workpiece.** At higher speeds, the bit is likely to bend if allowed to rotate freely without contacting the workpiece, resulting in personal injury.
- ◆ **Apply pressure only in direct line with the bit and do not apply excessive pressure.** Bits can bend causing breakage or loss of control, resulting in personal injury.
- ◆ **Use clamps or another practical way to secure and support the work piece to a stable platform.** Holding the work by hand or against your body leaves it unstable and may lead to loss of control.
- ◆ **Before driving fasteners into walls, floors or ceilings, check for the location of wiring and pipes.**
- ◆ **The intended use is described in this instruction manual.**
- ◆ **The use of any accessory or attachment or performance of any operation with this tool other than those recommended in this instruction manual may present a risk of personal injury and/or damage to property.**

## Safety of others

- ◆ This tool is not intended for use by persons (including children) with reduced physical, sensory or mental capabilities, or lack of experience and knowledge, unless they have been given supervision or instruction concerning use of the appliance by a person responsible for their safety.
- ◆ Children should be supervised to ensure that they do not play with the appliance.

## Residual risks

Additional residual risks may arise when using the tool which may not be included in the enclosed safety warnings. These risks can arise from misuse, prolonged use etc.

Even with the application of the relevant safety regulations and the implementation of safety devices, certain residual risks can not be avoided. These include:

- ◆ Injuries caused by touching any rotating/moving parts.
- ◆ Injuries caused when changing any parts, blades or accessories.
- ◆ Injuries caused by prolonged use of a tool. When using any tool for prolonged periods ensure you take regular breaks.
- ◆ Impairment of hearing.

- ◆ Health hazards caused by breathing dust developed when using your tool (example:- working with wood, especially oak, beech and MDF.)

### Vibration

The declared vibration emission values stated in the technical data and the declaration of conformity have been measured in accordance with a standard test method provided by EN62841 and may be used for comparing one tool with another.

The declared vibration emission value may also be used in a preliminary assessment of exposure.

**Warning!** The vibration emission value during actual use of the power tool can differ from the declared value depending on the ways in which the tool is used. The vibration level may increase above the level stated.

When assessing vibration exposure to determine safety measures required by 2002/44/EC to protect persons regularly using power tools in employment, an estimation of vibration exposure should consider, the actual conditions of use and the way the tool is used, including taking account of all parts of the operating cycle such as the times when the tool is switched off and when it is running idle in addition to the trigger time.

### Labels on tool

The following symbols are shown on the tool along with the date code:



**Warning!** To reduce the risk of injury, the user must read the instruction manual.



Wear ear protectors with impact drills.  
Exposure to noise can cause hearing loss



Do not stare at operating lamp

### Additional safety instructions for batteries and chargers

#### Batteries

- ◆ Never attempt to open for any reason.
- ◆ Do not expose the battery to water.
- ◆ Do not store in locations where the temperature may exceed 40 °C.
- ◆ Charge only at ambient temperatures between 10 °C and 40 °C.
- ◆ Charge only using the charger provided with the tool.
- ◆ When disposing of batteries, follow the instructions given in the section "Protecting the environment".

#### Chargers

- ◆ Use your STANLEY FATMAX charger only to charge the battery in the tool with which it was supplied. Other

batteries could burst, causing personal injury and damage.

- ◆ Never attempt to charge non-rechargeable batteries.
- ◆ Have defective cords replaced immediately.
- ◆ Do not expose the charger to water.
- ◆ Do not open the charger.
- ◆ Do not probe the charger.



The charger is intended for indoor use only.



Read the instruction manual before use.



Do not attempt to charge damaged batteries.

### Electrical safety



Your charger is double insulated; therefore no earth wire is required. Always check that the mains voltage corresponds to the voltage on the rating plate. Never attempt to replace the charger unit with a regular mains plug.

- ◆ If the supply cord is damaged, it must be replaced by the manufacturer or an authorised STANLEY FATMAX Service Centre in order to avoid a hazard.



**Warning!** Never attempt to replace the charger unit with a regular mains plug.

### Features

This appliance includes some or all of the following features.

1. Trigger Switch
2. Forward/Reverse Button
3. Torque Adjust Collar
4. Dual Range Gear Selector
5. Keyless Chuck
6. Battery
7. Battery Release Button
8. LED Work Light

### Use

**Warning!** Let the tool work at its own pace.

Do not overload.

### Charging the battery (Fig. A)

The battery needs to be charged before first use and whenever it fails to produce sufficient power on jobs that were easily done before.

The battery may become warm while charging; this is normal and does not indicate a problem.

**Warning!** Do not charge the battery at ambient temperatures below 10 °C or above 40 °C. Recommended charging









temperature: approx. 24 °C.

**Note: The charger will not charge a battery if the cell temperature is below approximately 10 °C or above 40 °C. The battery should be left in the charger and the charger will begin to charge automatically when the cell temperature warms up or cools down.**

**Note:** To ensure maximum performance and life of lithium-ion battery packs, charge the battery pack fully before first use.

- ◆ Plug the charger (9) into an appropriate outlet before inserting battery pack (6).
- ◆ The green charging light (9a) will blink continuously indicating that the charging process has started.
- ◆ The completion of charge will be indicated by the green charging light (9a) remaining ON continuously. The battery pack (6) is fully charged and may be removed and used at this time or left in the charger (9).
- ◆ Charge discharged batteries within 1 week. Battery life will be greatly diminished if stored in a discharged state.

**Charger LED Modes**

|  |  |  |
|--|--|--|
|  | <b>Charging:</b><br>Green LED Intermittent                             |   |
|  | <b>Fully Charged:</b><br>Green LED Solid                               |   |
|  | <b>Hot/Cold Pack Delay:</b><br>Green LED Intermittent<br>Red LED Solid |  |

**Note:** The compatible charger(s) will not charge a faulty battery pack. The charger will indicate a faulty battery pack by refusing to light.

**Note:** This could also mean a problem with a charger. If the charger indicates a problem, take the charger and battery pack to be tested at an authorized service centre.

**Leaving the battery in the charger**

The charger and battery pack can be left connected with the LED glowing indefinitely. The charger will keep the battery pack fresh and fully charged.

**Hot/Cold Pack Delay**

When the charger detects a battery that is too hot or too cold, it automatically starts a Hot/Cold Pack Delay, the green LED (9a) will flash intermittently, while the red LED (9b) will remain on continuously, suspending charging until the battery has reached an appropriate temperature.

The charger then automatically switches to the pack charging mode. This feature ensures maximum battery life.

**Battery state of charge indicator (Fig. B)**

The battery includes a state of charge indicator to quickly determine the extent of battery life as shown in figure B. By pressing the state of charge button (6a) you can easily view the charge remaining in the battery as illustrated in figure B.



**Installing and Removing the Battery Pack from the tool**

**Warning!** Make certain the lock-off button is engaged to prevent switch actuation before removing or installing battery.

**To install battery pack (Fig. C)**

- ◆ Insert battery pack firmly into tool until an audible click is heard as shown in figure C. Ensure battery pack is fully seated and fully latched into position.

**To remove battery pack (Fig. D)**

- ◆ Depress the battery release button (7) as shown in figure D and pull battery pack out of tool.

**Belt hook (Optional extra) (Fig. E, F)**

**Warning!** To reduce the risk of serious personal injury, place the forward/reverse button in the lock-off position or turn tool off and disconnect battery pack before making any adjustments or removing/installing attachments or accessories. An accidental start-up can cause injury.

**Warning!** To reduce the risk of serious personal injury, ONLY use the tool's belt hook (10) to hang the tool from a work belt. DO NOT use the belt hook (10) for tethering or securing the tool to a person or object during use. DO NOT suspend tool overhead or suspend objects from the belt hook.

**Warning!** To reduce the risk of serious personal injury, ensure the screw (11) holding the belt hook is secure.

**Note:** When attaching or replacing the belt hook (10), use only the screw (11) that is provided. Be sure to securely tighten the screw.

The belt hook (10) can be attached by sliding into the slots (12) on either side of the tool using only the screw (11) provided, to accommodate left- or right- handed users. If the hook is not desired at all, it can be removed from the tool.

To move the belt hook, remove the screw (11) that holds the



belt hook (10) in place then reassemble on the opposite side. Be sure to securely tighten the screw (11).

**Note:** Various trackwall hooks and storage configurations are available.

Please visit our website [www.stanley.eu/3](http://www.stanley.eu/3) for further information.

### Keyless chuck (Fig. G)



**Warning!** Make certain the battery pack is removed to prevent tool actuation before installing or removing accessories.

To insert a drill bit or other accessory:

- ◆ Grasp the chuck (5) and rotate it in the counterclockwise direction, as viewed from the chuck end.
- ◆ Insert the bit or other accessory (13) fully into the chuck, and tighten securely by rotating the chuck in the clockwise direction as viewed from the chuck end.



**Warning!** Do not attempt to tighten or loosen drill bits (or any other accessory) by gripping the front part of the chuck and turning the tool on.

Damage to the chuck and personal injury may occur when changing accessories.

### Trigger switch & forward/reverse button (Fig H)

- ◆ The drill is turned ON and OFF by pulling and releasing the trigger switch (1) shown in figure H. The farther the trigger is depressed, the higher the speed of the drill.
- ◆ A forward/reverse control button (2) determines the rotational direction of the tool and also serves as a lock off button.
- ◆ To select forward rotation, release the trigger switch and depress the forward/reverse control button on the right side of the tool.
- ◆ To select reverse, depress the forward/reverse control button on the left side of the tool.
- ◆ The center position of the control button locks the tool in the off position. When changing the position of the control button, be sure the trigger is released.

### Adjusting torque control (Fig I)

This tool is fitted with a torque adjustment collar (3) to select the operating mode and to set the torque for tightening screws. Large screws and hard workpiece materials require a higher torque setting than small screws and soft workpiece materials.

- ◆ For drilling in wood, metal and plastics, set the collar (3) to the drilling position symbol.
- ◆ For screwdriving, set the collar to the desired setting. If you do not yet know the appropriate setting, proceed as follows:
  - ◆ Set the collar to the lowest torque setting.
  - ◆ Tighten the first screw.
  - ◆ If the clutch ratchets before the desired result is achieved, increase the collar setting and continue

tightening the screw.

- ◆ Repeat until you reach the correct setting.
- ◆ Use this setting for the remaining screws.

### Dual range switch (Fig J)

The dual range feature of your drill allows you to shift gears for greater versatility.

- ◆ To select low speed, high torque setting (position 1), turn tool off and permit to stop. Slide gear shifter button (4) away from the chuck.
- ◆ To select the high speed, low torque setting (position 2), turn tool off and permit to stop. Slide gear shifter button back toward the chuck.

**Note:** Do not change gears when tool is running. If you are having trouble changing gears, make sure that the dual range gear button is either completely pushed forward or completely pushed back.

### Screw driving

- ◆ For driving fasteners, the forward/reverse button should be pushed to the left.
- ◆ Use reverse (button pushed to the right) for removing fasteners.

**Note:** When moving from forward to reverse, or vice versa, always release the trigger switch first.

### Drilling

- ◆ Use sharp drill bits only.
- ◆ Support and secure work properly, as instructed in the Safety Instructions.
- ◆ Use appropriate and required safety equipment, as instructed in the Safety Instructions.
- ◆ Secure and maintain work area, as instructed in the Safety Instructions.
- ◆ Run the drill very slowly, using light pressure, until the hole is started enough to keep the drill bit from slipping out of it.
- ◆ Apply pressure in a straight line with the bit. Use enough pressure to keep the bit biting but not so much as to stall the motor or deflect the bit.
- ◆ Hold the drill firmly with two hands, one hand on the handle, and the other gripping the bottom around the battery area or the auxiliary handle if provided.
- ◆ **DO NOT CLICK THE TRIGGER OF A STALLED DRILL OFF AND ON IN AN ATTEMPT TO START IT. DAMAGE TO THE DRILL CAN RESULT.**
- ◆ Minimize stalling on breakthrough by reducing pressure and slowly drilling through the last part of the hole.
- ◆ Keep the motor running while pulling the bit out of a drilled hole. This will help reduce jamming.
- ◆ Make sure switch turns drill on and off.

### Drilling in wood

Holes in wood can be made with the same twist drill bits used for metal or with spade bits.

These bits should be sharp and should be pulled out frequently when drilling to clear chips from the flutes.

### Drilling in metal

Use a cutting lubricant when drilling metals.

The exceptions are cast iron and brass which should be drilled dry. The cutting lubricants that work best are sulphurized cutting oil.

### LED work light (Fig H)

When drill is activated by pulling the trigger switch (1), the integrated LED work light (8) will automatically illuminate the work area.

**Note:** The work light is for lighting the immediate work surface and is not intended to be used as a flashlight.

### Troubleshooting

| Problem  | Possible cause   | Possible solution   |
|--|--|---|
| Unit will not start.                           | Battery pack not installed properly. Battery pack not charged.   | Check battery pack installation. Check battery pack charging requirements   |
| Unit starts immediately upon inserting battery | The switch has been left in the "on" position.   | The switch must be moved to "off" to prevent the tool from immediately starting when battery is inserted.   |
| Battery pack will not charge.                  | Battery pack not inserted into charger. Charger not plugged in. Surrounding air temperature too hot or too cold.   | Insert battery pack into charger until LED lights. Plug charger into a working outlet. Move charger and battery pack to a surrounding air temperature of above 40 degrees F (45°C) or below 105 degrees F (+40.5°C) |
| Unit shuts off abruptly.                       | Battery pack has reached its maximum thermal limit. Out of charge. (To maximize the life of the battery pack it is designed to shut off abruptly when the charge is depleted | Allow battery pack to cool down.<br><br>Place on charger and allow to charge.   |

### Maintenance

Your STANLEY FATMAX tool has been designed to operate over a long period of time with a minimum of maintenance. Continuous satisfactory operation depends upon proper tool care and regular cleaning.

Your charger does not require any maintenance apart from regular cleaning.



**Warning!** Before performing any maintenance on the tool, remove the battery from the tool. Unplug the charger before cleaning it.

- ◆ Regularly clean the ventilation slots in your tool and charger using a soft brush or dry cloth.
- ◆ Regularly clean the motor housing using a damp cloth.
- ◆ Do not use any abrasive or solvent-based cleaner.

### Protecting the environment



Separate collection. Products and batteries marked with this symbol must not be disposed of with normal household waste.

Products and batteries contain materials that can be recovered or recycled reducing the demand for raw materials. Please recycle electrical products and batteries according to local provisions. Further information is available at [www.2helpU.com](http://www.2helpU.com)

### Technical data

|                              |                   | SFMC D700    |
|------------------------------|-------------------|--------------|
| <b>Voltage</b>               | V <sub>DC</sub>   | 18V          |
| <b>No-load speed</b>         | Min <sup>-1</sup> | 0-350/0-1500 |
| <b>Max. torque</b>           | Nm                | 60           |
| <b>Chuck capacity</b>        | mm                | 13           |
| <b>Max Drilling capacity</b> |                   |              |
| <b>Steel/wood/masonry</b>    | mm                | 13/35/13     |
| <b>Weight</b>                | kg                | 1.2          |

| Charger        |                 | SFMCB11 | SFMCB12 | SFMCB14 |
|----------------|-----------------|---------|---------|---------|
| Input Voltage  | V <sub>AC</sub> | 230     | 230     | 230     |
| Output Voltage | V <sub>DC</sub> | 18      | 18      | 18      |
| Current        | A               | 1.25    | 2       | 4       |

| Battery         |                 | SFMCB201 | SFMCB202 | SFMCB204 | SFMCB206 |
|-----------------|-----------------|----------|----------|----------|----------|
| <b>Voltage</b>  | V <sub>DC</sub> | 18       | 18       | 18       | 18       |
| <b>Capacity</b> | Ah              | 1.5      | 2.0      | 4.0      | 6.0      |
| <b>Type</b>     |                 | Li-Ion   | Li-Ion   | Li-Ion   | Li-Ion   |

| Level of sound pressure according to EN62841:                         |
|---|
| Sound pressure (L <sub>pa</sub> ) 70.0 dB(A), uncertainty (K) 5 dB(A) |
| Sound power (L <sub>WA</sub> ) 81.0 dB(A), uncertainty (K) 5 dB(A)    |

| Vibration total values (tri-ax vector sum) according to EN62841:                                    |
|---|
| Drilling into metal (a <sub>h,d</sub> ) 1.2 m/s <sup>2</sup> , uncertainty (K) 1.5 m/s <sup>2</sup> |

**Declaration of conformity  
The Supply of Machinery (Safety)  
Regulations 2008**



SFMCD700 - Drill

Stanley Fat Max declares that these products described under "technical data" are in compliance with:

EN62841-1:2015, EN62841-2-1:2018+A11:2019.

These products conform to the following UK Regulations:  
The Supply of Machinery (Safety) Regulations, 2008, S.I.  
2008/1597 (as amended).

Electromagnetic Compatibility Regulations, 2016,  
S.I.2016/1091 (as amended).

The Restriction of the Use of Certain Hazardous Substances  
in Electrical and Electronic Equipment Regulations 2012, S.I.  
2012/3032 (as amended).

For more information, please contact Stanley Fat Max at the  
following address or refer to the back of the manual.

The undersigned is responsible for compilation of the  
technical file and makes this declaration on behalf of  
Stanley Fat Max.

Karl Evans  
Vice President Professional Power Tools  
Stanley Fat Max UK, 270 Bath Road, Slough  
Berkshire, SL1 4DX  
United Kingdom  
14/10/2021

**EC declaration of conformity**

MACHINERY DIRECTIVE



SFMCD700 - Drill

Stanley Fat Max declares that these products described under "technical data" are in compliance with:

2006/42/EC, EN62841-1:2015, EN62841-2-1:2018+A11:2019.

These products also comply with directives, 2014/30/EU and  
2011/65/EU.

For more information, please contact Stanley Fat Max at the  
following address or refer to the back of the manual.  
The undersigned is responsible for compilation of the technical  
file and makes this declaration on behalf of Stanley Fat Max.

Patrick Diepenbach  
General Manager, Benelux  
Stanley Fat Max,  
Egide Walschaertsstraat 14-18  
2800 Mechelen, Belgium  
14/10/2021

**Guarantee**

STANLEY FATMAX is confident of the quality of its products  
and offers consumers a 12 month guarantee from the date  
of purchase. This guarantee is in addition to and in no way  
prejudices your statutory rights.

The guarantee is valid within the territories of the Member  
States of the European Union  
and the European Free Trade Area.

To claim on the guarantee, the claim must be in accordance  
with STANLEY FATMAX Terms and Conditions and you will  
need to submit proof of purchase to the seller or an authorised  
repair agent. Terms and conditions of the STANLEY FATMAX  
1 year guarantee and the location of your nearest authorised  
repair agent can be obtained on the Internet at [www.2helpU.com](http://www.2helpU.com),  
or by contacting your local STANLEY FATMAX office at  
the address indicated in this manual.

Please visit our website [www.stanley.eu/3](http://www.stanley.eu/3) to register  
your new STANLEY FATMAX product and receive updates  
on new products and special offers. agent in the STANLEY  
FATMAX catalogue or contact your local Stanley office at  
the address indicated in this manual. A list of authorised  
STANLEY FATMAX repair agents and full details of our after  
sales service is available on the internet at:  
[www.stanley.eu/3](http://www.stanley.eu/3)

## Verwendungszweck

Ihr STANLEY FATMAX Akku-Bohrschrauber SFMCD700 ist für Schraub- und Bohrarbeiten in Holz, Metall und Kunststoff ausgelegt. Dieses Gerät ist zum gewerblichen und privaten Einsatz vorgesehen.

## Sicherheitshinweise

### Allgemeine Sicherheitswarnhinweise für Elektrowerkzeuge



**Warnung! Beachten Sie alle Sicherheitshinweise, Anweisungen, Darstellungen und Daten, die Sie mit dem Gerät erhalten.** Das Nichtbeachten der unten aufgeführten Warnhinweise und Anweisungen kann zu elektrischem Schlag, Brand und/oder schweren Verletzungen führen.

### Bewahren Sie alle Warnhinweise und alle Anweisungen auf.

Der Begriff „Elektrowerkzeug“ in den Warnhinweisen bezieht sich auf Ihr netzbetriebenes Elektrowerkzeug (mit Kabel) oder auf Ihr akkubetriebenes (kabelloses) Elektrowerkzeug.

#### 1. Sicherheit im Arbeitsbereich

- Halten Sie den Arbeitsbereich sauber und gut ausgeleuchtet.** Unaufgeräumte oder dunkle Bereiche begünstigen Unfälle.
- Verwenden Sie die Geräte nicht in Umgebungen, in denen Explosionsgefahr z. B. aufgrund von brennbaren Flüssigkeiten, Gasen oder Staub besteht.** Elektrowerkzeuge erzeugen Funken, die den Staub oder die Dämpfe entzünden können.
- Halten Sie Kinder und andere Personen während der Benutzung eines Geräts fern.** Ablenkung kann dazu führen, dass Sie die Kontrolle über das Gerät verlieren.

#### 2. Elektrische Sicherheit

- Der Netzstecker des Geräts muss in die Steckdose passen. Ändern Sie niemals den Stecker in irgendeiner Form.** Verwenden Sie keinerlei Adapterstecker an geerdeten Elektrogeräten. Unveränderte Stecker und passende Steckdosen mindern die Gefahr eines elektrischen Schlages.
- Vermeiden Sie Körperkontakt mit geerdeten Oberflächen von Rohren, Heizungen, Herden und Kühlschränken.** Es besteht eine erhöhte Gefahr für einen elektrischen Schlag, wenn Ihr Körper geerdet ist.
- Halten Sie Geräte von Regen und Feuchtigkeit fern.** Wenn Wasser in das Elektrogerät eindringt, erhöht sich die Gefahr eines elektrischen Schlages.

- Verwenden Sie das Kabel ordnungsgemäß. Verwenden Sie niemals das Kabel, um das Elektrogerät zu tragen oder durch Ziehen vom Netz zu trennen. Halten Sie das Kabel fern von Hitze, Öl, scharfen Kanten oder beweglichen Teilen.** Beschädigte oder verhedderte Kabel erhöhen die Gefahr eines elektrischen Schlages.
- Verwenden Sie nur für den Außenbereich zugelassene Verlängerungskabel, wenn Sie mit dem Gerät im Freien arbeiten.** Die Verwendung von für den Außeneinsatz geeigneten Kabeln mindert die Gefahr eines elektrischen Schlages.
- Wenn das Gerät in einer feuchten Umgebung verwendet werden muss, schließen Sie es unbedingt an eine Steckdose mit Fehlerstromschutzschalter (RCD).** Der Einsatz eines Fehlerstromschutzschalters mindert die Gefahr eines elektrischen Schlages.

#### 3. Persönliche Sicherheit

- Verwenden Sie das Gerät aufmerksam und vernünftig. Benutzen Sie kein Elektrowerkzeug, wenn Sie müde sind oder unter dem Einfluss von Drogen, Alkohol oder Medikamenten stehen.** Ein Moment der Unachtsamkeit beim Betrieb eines Elektrogeräts kann zu schweren Verletzungen führen.
- Tragen Sie persönliche Schutzausrüstung. Tragen Sie immer einen Augenschutz.** Das Tragen persönlicher Schutzausrüstung, wie Staubmaske, rutschfeste Sicherheitsschuhe, Schutzhelm oder Gehörschutz, je nach Art und Einsatz des Elektrowerkzeuges, verringert das Risiko von Verletzungen.
- Vermeiden Sie eine unbeabsichtigte Inbetriebnahme. Vergewissern Sie sich, dass der Schalter in der AUS-Position ist, bevor Sie das Gerät an die Stromversorgung und/oder an den Akku anschließen oder wenn Sie das Gerät aufnehmen oder tragen.** Wenn Sie beim Tragen des Elektrowerkzeuges den Finger am Schalter haben oder das Gerät eingeschaltet an die Stromversorgung anschließen, kann dies zu Unfällen führen.
- Entfernen Sie alle Einstellschlüssel oder Werkzeuge, bevor Sie das Elektrogerät einschalten.** Werkzeuge oder Schlüssel, die an rotierenden Teilen des Elektrogerätes angebracht sind, können zu Verletzungen führen.
- Vermeiden Sie eine anormale Körperhaltung. Sorgen Sie für einen sicheren Stand und halten Sie jederzeit das Gleichgewicht.** Dadurch können Sie das Elektrowerkzeug in unerwarteten Situationen besser kontrollieren.

- f. **Tragen Sie geeignete Kleidung. Tragen Sie keine weite Kleidung und keinen Schmuck. Halten Sie Ihre Haare und Kleidung von beweglichen Teilen fern.** Lose sitzende Kleidung, Schmuck oder lange Haare können sich in den beweglichen Teilen verfangen.
- g. **Falls Staubabsaug- und -fangvorrichtungen vorhanden sind, vergewissern Sie sich, dass diese angeschlossen sind und richtig verwendet werden.** Der Einsatz von Staubsaugern kann staubbedingte Gefahren mindern.
- h. **Vermeiden Sie, durch die häufige Nutzung des Werkzeugs in einen Trott zu verfallen und Prinzipien für die Werkzeugsicherheit zu ignorieren.** Eine unachtsame Aktion kann im Bruchteil einer Sekunde zu schweren Verletzungen führen.
4. **Gebrauch und Pflege von Elektrowerkzeugen**
- a. **Überlasten Sie das Gerät nicht. Verwenden Sie das für Ihre Arbeit passende Elektrogerät.** Das richtige Gerät wird die Aufgabe besser und sicherer erledigen, wenn es bestimmungsgemäß verwendet wird.
- b. **Verwenden Sie das Gerät nicht, wenn der Ein-/Ausschalter nicht funktioniert.** Ein Elektrowerkzeug, das sich nicht mehr ein- oder ausschalten lässt, ist gefährlich und muss repariert werden.
- c. **Trennen Sie den Stecker vom Netz und/oder entfernen Sie die Akkus, falls abnehmbar, vom Elektrogerät, bevor Sie Einstellungen am Gerät vornehmen, Zubehör wechseln oder es aufbewahren.** Diese Vorbeugemaßnahmen mindern die Gefahr, dass das Elektrogerät unbeabsichtigt startet.
- d. **Bewahren Sie unbenutzte Geräte außerhalb der Reichweite von Kindern auf. Lassen Sie Geräte nicht von Personen benutzen, die damit nicht vertraut sind oder diese Anweisungen nicht gelesen haben.** Elektrogeräte sind in den Händen nicht geschulter Personen gefährlich.
- e. **Pflegen Sie Elektrowerkzeuge und Zubehör. Prüfen Sie, ob bewegliche Teile verzogen oder ausgeschlagen, ob Teile gebrochen oder in einem Zustand sind, der den Betrieb des Elektrogerätes beeinträchtigen kann. Bei Beschädigungen lassen Sie das Elektrogerät reparieren, bevor Sie es verwenden.** Viele Unfälle entstehen wegen mangelnder Wartung der Elektrogeräte.
- f. **Halten Sie Schneidwerkzeuge scharf und sauber.** Richtig gewartete Schneidwerkzeuge mit scharfen Klingen blockieren seltener und sind leichter unter Kontrolle zu halten.
- g. **Verwenden Sie Geräte, Zubehör, Einsätze usw. entsprechend diesen Anweisungen, und berücksichtigen Sie dabei die Arbeitsbedingungen und die auszuführende Arbeit.**
- Wenn Sie das Elektrogerät für Aufgaben verwenden, die nicht bestimmungsgemäß sind, kann dies zu gefährlichen Situationen führen.
- h. **Halten Sie die Griffe trocken, sauber und frei von Öl und Fett.** Rutschige Griffe und Oberflächen unterbinden die sichere Bedienbarkeit und Kontrolle über das Werkzeug in unerwarteten Situationen.
5. **Gebrauch und Pflege von Akkuvwerkzeugen**
- a. **Laden Sie die Akkus nur in Ladegeräten auf, die vom Hersteller angegeben wurden.** Für ein Ladegerät, das nur für eine bestimmte Akkuart geeignet ist, besteht Brandgefahr, wenn es mit anderen Akkus verwendet wird.
- b. **Verwenden Sie nur die für das jeweilige Gerät vorgesehenen Akkus.** Die Verwendung anderer Akkus kann zu Verletzungen oder Bränden führen.
- c. **Bewahren Sie den Akku bei Nichtbenutzung nicht in der Nähe metallischer Objekte wie Büroklammern, Münzen, Schlüsseln, Nägeln oder Schrauben auf, da diese eine Verbindung zwischen beiden Polen des Akkus herstellen können.** Durch den dadurch entstehenden Kurzschluss kann der Akku in Brand geraten.
- d. **Bei falscher Anwendung kann Flüssigkeit aus dem Akku austreten. Vermeiden Sie den Kontakt damit. Bei unbeabsichtigtem Kontakt mit Wasser abspülen. Gelangt die Flüssigkeit in die Augen, ziehen Sie außerdem ärztliche Hilfe hinzu.** Austretende Akkuflüssigkeit kann zu Hautreizungen oder Verbrennungen führen.
- e. **Verwenden Sie kein Akkupack oder Werkzeug, das beschädigt ist oder modifiziert wurde.** Beschädigte oder modifizierte Akkus können unvorhersehbare Reaktionen auslösen und zu Bränden, Explosionen oder Verletzungen führen.
- f. **Setzen Sie das Akkupack oder Werkzeug keinem Feuer oder übermäßig hohen Temperaturen aus.** Die Belastung durch Feuer oder Temperaturen über 130 °C kann zur Explosion führen.
- g. **Befolgen Sie alle Ladeanweisungen und laden Sie das Akkupack oder Werkzeug nicht außerhalb des in den Anweisungen festgelegten Temperaturbereichs auf.** Ein unsachgemäßer Ladevorgang oder Temperaturen außerhalb des festgelegten Bereichs können den Akku schädigen und die Brandgefahr erhöhen.
6. **Service**
- a. **Lassen Sie das Gerät nur von qualifiziertem Fachpersonal und nur mit Originalersatzteilen reparieren. Damit wird sichergestellt, dass die Sicherheit des Gerätes erhalten bleibt.**

- b. Führen Sie niemals Wartungsarbeiten an beschädigten Akkus durch. Die Wartung von Akkupacks darf nur vom Hersteller selbst oder autorisierten Dienstleistern durchgeführt werden.

### Zusätzliche Sicherheitswarnungen für das Gerät



**Warnung!** Zusätzliche Sicherheitswarnungen für Bohrschrauber

- ◆ **Halten Sie das Gerät an den isolierten Griffflächen fest, wenn Sie Arbeiten ausführen, bei denen verdeckte Kabel durch Werkzeuge beschädigt werden könnten.** Der Kontakt mit stromführenden Leitungen kann auch offen liegende Metallteile am Gerät unter Strom setzen und zu einem Stromschlag führen.
- ◆ **Tragen Sie bei der Arbeit mit einem Schlagbohrer einen Gehörschutz.** Lärm kann Gehörschäden verursachen.
- ◆ **Verwenden Sie die mitgelieferten Zusatzgriffe.** Der Verlust der Kontrolle kann Verletzungen verursachen.
- ◆ **Verspannen Sie das Werkzeug vor Gebrauch ordnungsgemäß.** Dieses Werkzeug erzeugt ein hohes Ausgangsdrehmoment. Wenn das Werkzeug während des Betriebs nicht ordnungsgemäß verspannt wird, kann es zu einem Kontrollverlust und dadurch zu Verletzungen kommen.

### Sicherheitsvorschriften bei Verwendung langer Bohrerbits

- ◆ **Die Arbeitsgeschwindigkeit darf keinesfalls die maximale Drehzahl des Bohreinsatzes überschreiten.** Bei höheren Geschwindigkeiten neigt der Bohreinsatz dazu, sich zu verbiegen, wenn er sich frei drehen kann, ohne das Werkstück zu berühren, was zu Verletzungen führen kann.
- ◆ **Beginnen Sie immer mit niedriger Geschwindigkeit und mit der Bitspitze in Kontakt mit dem Werkstück.** Bei höheren Geschwindigkeiten neigt der Bohreinsatz dazu, sich zu verbiegen, wenn er sich frei drehen kann, ohne das Werkstück zu berühren, was zu Verletzungen führen kann.
- ◆ **Üben Sie Druck nur in direkter Linie mit dem Bit und nicht übermäßig stark aus.** Bits können sich verbiegen und brechen, was zu Kontrollverlust und Verletzungen führen kann.
- ◆ **Sichern Sie das Werkstück zum Beispiel mit Einspannvorrichtungen auf einer stabilen Plattform.** Das Werkstück ist instabil, wenn es mit der Hand oder dem Körper abgestützt wird, was zum Verlust der Kontrolle führen kann.
- ◆ **Bevor Sie Befestigungsgegenstände in Wänden, Fußböden oder Decken einsetzen, prüfen Sie diese Stellen auf dahinter liegende Kabel oder Rohre.**

- ◆ **Die bestimmungsgemäße Verwendung ist in dieser Betriebsanleitung beschrieben.**
- ◆ **Die Verwendung von Zubehör oder Anbauteilen, die nicht in dieser Anleitung empfohlen sind, sowie die Bedienung des Geräts in Abweichung von den in dieser Anleitung beschriebenen Verfahren kann zu Verletzungen und/oder Sachschäden führen.**

### Sicherheit von Anderen

- ◆ Dieses Gerät darf nicht von Personen (einschließlich Kindern) mit eingeschränkten körperlichen, sensorischen oder geistigen Fähigkeiten oder mangelnder Erfahrung und Wissen in Bezug auf dessen Gebrauch bedient werden, es sei denn, sie werden bei der Verwendung des Geräts von einer erfahrenen Person beaufsichtigt oder angeleitet.
- ◆ Lassen Sie nicht zu, dass Kinder mit dem Gerät spielen.

### Restrisiken

Zusätzliche Restrisiken können auftreten, wenn das Werkzeug verwendet wird, das möglicherweise nicht in den Sicherheitswarnungen enthalten ist. Diese Risiken bestehen beispielsweise bei Missbrauch oder längerem Gebrauch. Auch bei der Einhaltung der entsprechenden Sicherheitsvorschriften und der Verwendung aller Sicherheitsgeräte bestehen weiterhin bestimmte Restrisiken. Diese sind:

- Verletzungen, die durch das Berühren von sich drehenden/bewegenden Teilen verursacht werden.
- Verletzungen, die durch das Austauschen von Teilen, Messern oder Zubehör verursacht werden.
- Verletzungen, die durch längeren Gebrauch eines Geräts verursacht werden. Bei der längeren Verwendung eines Werkzeugs ist sicherzustellen, dass regelmäßig Pausen eingelegt werden.
- Schwerhörigkeit.
- Gesundheitsrisiken durch das Einatmen von Staub beim Gebrauch des Geräts (beispielsweise bei Holzarbeiten, insbesondere Eiche, Buche und Pressspan).

### Schwingung

Die in den Abschnitten „Technische Daten“ und „EU-Konformitätserklärung“ angegebenen Werte für die Vibrationsemission wurden mit einer Standard-Prüfmethode nach EN62841 ermittelt und können zum Vergleich verschiedener Geräte herangezogen werden.

Die erklärten Schwingungsemissionswerte können auch in einer vorläufigen Expositionsbewertung verwendet werden.

**Warnung!** Der Schwingungsemissionswert während der tatsächlichen Verwendung des Elektrowerkzeugs kann in Abhängigkeit von den Arten, auf die das Werkzeug verwendet wird, vom erklärten Wert abweichen. Das Schwingungsniveau kann das angegebene Niveau übersteigen.

Bei der Bewertung der Schwingungsexposition zur Festlegung der durch die Richtlinie 2002/44/EG erforderlichen



Sicherheitsmaßnahmen zum Schutz von Personen, die bei ihrer Beschäftigung regelmäßig Elektrowerkzeuge verwenden, muss eine Schätzung der Schwingungsexposition die tatsächlichen Nutzungsbedingungen und die Art berücksichtigen, auf die das Werkzeug verwendet wird, einschließlich der Beachtung aller Teile des Betriebszyklus, wie die Male, die das Werkzeug ausgeschaltet wird und wenn es im Ruhemodus läuft zusätzlich zur Auslösezeit.

### Etiketten am Werkzeug

Die folgenden Bildsymbole werden zusammen mit dem Datumscode werden auf dem Werkzeug ausgewiesen:



**Warnung!** Zur Reduzierung der Verletzungsgefahr muss der Nutzer die Betriebsanleitung lesen.



Tragen Sie bei der Arbeit mit Schlagschraubern einen Gehörschutz. Lärm kann Gehörschäden verursachen.



Starren Sie nicht auf die Operationslampe

### Zusätzliche Sicherheitshinweise für Akkus und Ladegeräte

#### Akkus

- Keinesfalls versuchen, den Akku zu öffnen.
- Achten Sie darauf, dass der Akku nicht mit Wasser in Berührung kommt.
- Nicht bei Temperaturen über 40 °C lagern.
- Laden Sie den Akku nur bei Umgebungstemperaturen von 10 °C bis 40 °C.
- Verwenden Sie ausschließlich das mitgelieferte Ladegerät.
- Bei der Entsorgung von Akkus oder Batterien die Hinweise im Abschnitt „Umweltschutz“ beachten.

#### Ladegeräte

- Verwenden Sie das STANLEY FATMAX Ladegerät nur für den Akku des Werkzeugs, mit dem es geliefert wurde. Andere Akkus könnten platzen und Sachschäden oder Verletzungen verursachen.
- Versuchen Sie keinesfalls, nicht aufladbare Batterien zu laden.
- Lassen Sie beschädigte Kabel sofort austauschen.
- Achten Sie darauf, dass das Ladegerät nicht mit Wasser in Berührung kommt.
- Versuchen Sie nicht, das Ladegerät zu öffnen.
- Nehmen Sie am Ladegerät keine Veränderungen vor.



Das Ladegerät darf nur im Innenbereich verwendet werden.



Vor Gebrauch die Anleitung lesen.



Versuchen Sie nie, beschädigte Akkus aufzuladen.

### Elektrische Sicherheit



Das Ladegerät ist schutzisoliert, daher ist keine Erdleitung erforderlich. Stellen Sie sicher, dass die Netzspannung der auf dem Typenschild des Geräts angegebenen Spannung entspricht. Ersetzen Sie das Ladegerät keinesfalls durch ein normales Netzkabel.

- Bei einer Beschädigung des Netzkabels muss dieses durch den Hersteller oder eine STANLEY FATMAX Vertragswerkstatt ausgetauscht werden, um mögliche Gefahren zu vermeiden.



**Warnung!** Ersetzen Sie das Ladegerät keinesfalls durch ein normales Netzkabel.

### Merkmale

Dieses Gerät verfügt über einige oder alle der folgenden Merkmale:

1. Auslöseschalter
2. Rechts-/Links-Schalter
3. Drehmomentvorwahl
4. Zweiganggetriebewähler
5. Schnellspannfutter
6. Akku
7. Akku-Löseknopf
8. LED-Arbeitsleuchte

### Verwendung

**Warnung!** Lassen Sie das Werkzeug die Geschwindigkeit selbst bestimmen.

Nicht überlasten.

### Laden des Akkus (Abb. A)

Der Akku muss vor erstmaliger Benutzung und immer dann aufgeladen werden, wenn das Gerät nicht mehr die volle Leistung bringt.

Während des Ladevorgangs kann der Akku warm werden. Das ist normal.

**Warnung!** Laden Sie den Akku nicht, wenn die Umgebungstemperatur unter 10 °C oder über 40 °C liegt. Empfohlene Ladetemperatur: ca. 24 °C.

**Hinweis: Ein Akku, bei dem die Temperatur der Batteriezellen unter ca. 10 °C oder über 40 °C liegt, wird vom Ladegerät nicht geladen.**

**Lassen Sie in diesem Fall den Akku im Ladegerät. Das Ladegerät beginnt automatisch mit dem Ladevorgang, sobald sich die Zellen erwärmt bzw. abgekühlt haben.**

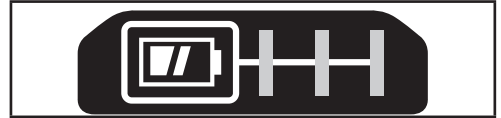
**Hinweis:** Um die maximale Leistung und Lebensdauer der Li-Ionen-Akkus zu gewährleisten, laden Sie das Akkupack vor der ersten Verwendung vollständig auf.



- Setzen Sie das Ladegerät (9) in eine geeignete Steckdose ein, bevor Sie den Akku (6) einsetzen.
- Die grüne Leuchte (Aufladen) (9a) blinkt dauerhaft und zeigt dadurch an, dass der Ladevorgang begonnen wurde.
- Der Abschluss des Ladevorgangs wird dadurch angezeigt, dass das grüne Licht (9a) dauerhaft leuchtet. Der Akku (6) ist vollständig aufgeladen und kann jetzt entnommen oder verwendet oder in der Ladestation gelassen werden.
- Ein entladener Akku sollte innerhalb einer Woche wieder aufgeladen werden. Die Lebensdauer des Akkus sinkt drastisch, wenn dieser in entladene Zustand aufbewahrt wird.

**Akkuladestandsanzeige (Abb. B)**

Der Akku besitzt eine Ladestandsanzeige, mit der die Lebensdauer der Batterie wie in Abbildung B dargestellt schnell ermittelt werden kann. Durch Drücken der Ladezustands-Taste (6a) können Sie die im Akku verbleibende Ladung wie in Abbildung B dargestellt anzeigen.



**Anbringen und Entfernen des Akkus**



**Warnung!** Der Verriegelungsknopf muss eingerastet sein, damit keine unbeabsichtigte Bedienung des Ein-/Aus-Schalters vor dem Anbringen bzw. Entfernen des Akkus erfolgen kann.

**Anbringen des Akkus (Abb. C)**

- Setzen Sie den Akku fest in das Werkzeug ein, bis ein Klicken zu hören ist, wie in Abbildung C gezeigt wird. Achten Sie darauf, dass der Akku vollständig eingesetzt und eingerastet ist.

**Entfernen des Akkus (Abb. D)**

- Drücken Sie den Akku-Löseknopf (7) wie in Abbildung D gezeigt und ziehen Sie den Akku aus dem Werkzeug.

**Gürtelhaken (Optionales Zubehör) (Abb. E, F)**



**Warnung!** Um die Gefahr schwerer Verletzungen zu mindern, stellen Sie den Rechts-/Links-Schalter in die Verriegelungsposition oder schalten Sie das Gerät aus und entfernen Sie den Akku, bevor Sie Einstellungen vornehmen oder Anbaugeräte oder Zubehör anbringen oder entfernen. Ungewolltes Anlaufen kann Verletzungen verursachen.



**Warnung!** Zur Vermeidung von schweren Verletzungen darf der Gürtelhaken (10) des Werkzeugs NUR verwendet werden, um das Werkzeug an einen Arbeitsgürtel zu hängen. NICHT den Gürtelhaken verwenden, um das Werkzeug während der Benutzung an einer Person oder einem Objekt festzubinden oder auf andere Weise zu befestigen. Das Werkzeug NICHT über Kopf aufhängen oder Gegenstände vom Gürtelhaken herunterhängen lassen.



**Warnung!** Stellen Sie zur Vermeidung von schweren Verletzungen sicher, dass die Schraube (11), die den Gürtelhaken hält, sicher ist.

**Hinweis:** Verwenden Sie beim Befestigen oder Austauschen des Gürtelhakens (10) nur die mitgelieferte Schraube (11). Stellen Sie sicher, dass die Schraube gut festgezogen ist. Der Gürtelhaken (10) kann an jeder Werkzeugseite einfach mit Hilfe der vorgesehenen Schraube (11) befestigt werden, indem er in die seitlichen Schlitze (12) geschoben wird, damit

**LED-Modi des Ladegeräts**

|  |   |  |
|--|---|--|
|  | <b>Laden:</b><br>Grüne LED - mit Unterbrechungen  |  |
|  | <b>Vollständig aufgeladen:</b><br>Grüne LED - dauerhaft   |  |
|  | <b>Verzögerung heißer/kalter Akku:</b><br>Grüne LED - mit Unterbrechungen<br>Rote LED - dauerhaft |  |

**Hinweis:** Diese/s kompatible/n Ladegerät/e lädt keine defekten Akkus auf. Das Ladegerät zeigt einen defekten Akku dadurch an, dass es nicht leuchtet.

**Hinweis:** Dies kann auch auf ein Problem mit dem Ladegerät hinweisen. Wenn das Ladegerät auf ein Problem hinweist, bringen Sie es zusammen mit dem Akku zur Überprüfung zu einer autorisierten Servicestelle.

**Belassen des Akkus im Ladegerät**

Sie können den Akku auf im Ladegerät belassen. In diesem Fall leuchtet die LED-Anzeige dauerhaft. Das Ladegerät hält den Akku in einem vollständig geladenen Zustand.

**Verzögerung heißer/kalter Akku**

Wenn das Ladegerät einen zu heißen oder zu kalten Akku erkennt, startet es automatisch die Verzögerung heißer/kalter Akku. Die grüne LED (9a) blinkt dann mit Unterbrechungen, während die rote LED (9b) kontinuierlich leuchtet und den Ladevorgang bis zum Ende des Ladevorgangs unterbricht, bis der Akku eine angemessene Temperatur erreicht hat. Das Ladegerät schaltet dann automatisch in den Lademodus. Diese Funktion gewährleistet eine maximale Lebensdauer des Akkus.

das Werkzeug für Links- oder Rechtshänder verwendbar ist. Wenn der Haken gar nicht verwendet werden soll, kann er vom Werkzeug abgenommen werden. Um die Position des Gürtelhakens (10) zu ändern, entfernen Sie die Schraube (11), durch die er befestigt ist, und montieren Sie ihn dann an der gegenüberliegenden Seite.

Stellen Sie sicher, dass die Schraube (11) gut festgezogen ist.

**Hinweis:** Verschiedene Trackwall-Haken und Aufbewahrungskonfigurationen sind verfügbar.

Weitere Informationen finden Sie auf unserer Website unter [www.stanleytools.eu/3](http://www.stanleytools.eu/3).

### Schnellspannfutter (Abb. G)



**Warnung!** Der Akku muss entfernt worden sein, damit keine unbeabsichtigte Bedienung des Geräts vor dem Installieren bzw. Entfernen von Zubehörteilen erfolgen kann.

Einsetzen eines Bohrbits oder eines anderen Zubehörteils:

- Umfassen Sie das Spannfutter (5) und drehen Sie es gegen den Uhrzeigersinn (vom Ende des Bohrfutters aus gesehen).
- Setzen Sie den Bohreinsatz oder ein anderes Zubehörteil (13) ordnungsgemäß in das Spannfutter ein, und ziehen Sie das Spannfutter durch Drehen im Uhrzeigersinn (mit Blickrichtung vom Spannfutter) wieder fest.



**Warnung!** Versuchen Sie nicht, Bohrvorsätze (oder anderes Zubehör) einzusetzen, indem Sie das Spannfutter vorne fassen und das Gerät einschalten.

Dabei kann das Spannfutter beschädigt werden und es kann zu schweren Verletzungen kommen.

### Auslöseschalter & Rechts-/Links-Schalter - (Abb. H)

- Der Bohrer wird durch Ziehen und Loslassen des Auslöseschalters (1), der in Abbildung H gezeigt wird, EIN und AUS geschaltet. Je tiefer er eingedrückt wird, desto höher wird die Drehzahl der Bohrmaschine.
- Ein Regler für Rechts- oder Linksdrehung (2) bestimmt die Drehrichtung des Werkzeugs und dient auch als Verriegelungsschalter.
- Für Rechtsdrehung (vorwärts) lassen Sie den Auslöseschalter los und drücken Sie den Drehrichtungsknopf an der rechten Seite des Werkzeugs.
- Für Linksdrehung (rückwärts) lassen Sie den Drückerschalter los und drücken Sie den Drehrichtungsknopf an der linken Seite des Werkzeugs.
- In der mittleren Stellung des Reglers ist das Werkzeug in der AUS-Stellung verriegelt. Achten Sie darauf, dass der Auslöseschalter entriegelt ist, wenn Sie diesen Regler verstellen.

### Einstellen der Drehmomentregelung (Abb. I)

Dieses Gerät verfügt über eine Drehmomentvorwahl (3) zur Auswahl des Betriebsmodus und des Drehmoments zum

Festziehen von Schrauben. Für große Schrauben und härtere Werkstücke muss ein größeres Drehmoment eingestellt werden als für kleine Schrauben und weiche Werkstücke.

- Um Bohrungen in Holz, Metall oder Kunststoff vorzunehmen, stellen Sie an der Drehmomentvorwahl (3) das Symbol zum Bohren ein.
- Zum Ausführen von Schraubarbeiten stellen Sie an der Drehmomentvorwahl die gewünschte Position ein. Sollten Ihnen die jeweils erforderlichen Einstellungen noch nicht bekannt sein, gehen Sie wie folgt vor:
  - ◆ Stellen Sie das niedrigste Drehmoment ein.
  - ◆ Ziehen Sie mit dieser Einstellung die erste Schraube fest.
  - ◆ Wenn die Einstellung nicht zum gewünschten Ergebnis führt, erhöhen Sie die Drehmenteinstellung, und fahren Sie fort.
  - ◆ Wiederholen Sie diesen Vorgang, bis Sie die richtige Einstellung gefunden haben.
  - ◆ Verwenden Sie die Einstellung auch für die übrigen Schrauben.

### Zweigangetriebeschalter (Abb. J)

Das Zweigangetriebe an Ihrem Bohrer ermöglicht den Gangwechsel für eine größere Anpassungsfähigkeit.

- Zur Auswahl der niedrigen Geschwindigkeit mit hohem Drehmoment (Position 1) schalten Sie das Gerät aus und lassen es auslaufen. Schieben Sie den Gangschalterknopf (4) zurück, d.h. vom Spannfutter weg.
- Zur Auswahl der hohen Geschwindigkeit mit niedrigem Drehmoment (Position 2) schalten Sie das Gerät aus und lassen es auslaufen. Schieben Sie den Gangschalterknopf wieder nach vorne zum Spannfutter.

**Hinweis:** Ändern Sie nicht den Gang, während das Gerät sich dreht. Bei Problemen beim Gangwechsel prüfen Sie, dass der Zweigangetriebewähler entweder komplett nach vorne oder hinten geschoben ist.

### Festziehen von Schrauben

- Zum Festziehen von Befestigungsmitteln muss der Rechts-/Links-Schalter nach links geschoben sein.
- Verwenden Sie zum Entfernen von Befestigungsmitteln den Links-Schalter (Schalter nach rechts geschoben).

**Hinweis:** Wenn Sie die Drehrichtung von Rechts nach Links oder umgekehrt ändern wollen, immer zuerst den Auslöseschalter lösen.

### Bohren

- Verwenden Sie nur scharfe Bohreinsätze.
- Unterstützen und sichern Sie Werkstücke angemessen, wie in den Sicherheitshinweisen beschrieben.
- Verwenden Sie die richtige und erforderliche Sicherheitsausrüstung, wie in den Sicherheitshinweisen beschrieben.

- Sichern Sie den Arbeitsbereich und halten Sie ihn aufgeräumt, wie in den Sicherheitshinweisen beschrieben.
- Lassen Sie den Bohrer sehr langsam und nur mit leichtem Druck laufen, bis das Loch groß genug ist, dass der Bohreinsatz nicht mehr herausrutschen kann.
- Üben Sie nur parallel zum Bohreinsatz Druck aus. Der ausgeübte Druck darf nicht größer sein als für den Bohrvorgang erforderlich. Bei zu hohem Druck blockiert der Motor oder der Bohreinsatz wird beschädigt.
- Halten Sie den Bohrer mit beiden Händen fest; dabei sollte eine Hand auf dem Griff und die andere am Unterteil um den Akkubereich oder, falls vorhanden, am Zusatzhandgriff liegen.
- **WENN DER BOHRER BLOCKIERT IST, VERSUCHEN SIE NICHT, IHN DURCH WIEDERHOLTES BETÄTIGEN DES EIN-/AUSSCHALTERS WIEDER ZUM LAUFEN ZU BRINGEN. DER BOHREINSATZ KANN DADURCH BESCHÄDIGT WERDEN.**
- Verringern Sie im letzten Teil des Bohrlochs den Druck und die Geschwindigkeit, um ein Blockieren beim Durchbohren zu vermeiden.
- Lassen Sie den Motor an, während Sie den Bohrer aus einem gebohrten Loch ziehen. Dadurch wird verhindert, dass der Bohreinsatz einklemmt.
- Stellen Sie sicher, dass sich der Bohrer über den Schalter ein- und ausschalten lässt.

**In Holz bohren**

Holz kann entweder mit denselben Spiralbohreinsätzen bearbeitet werden, die auch für Metall verwendet werden, oder mit Spitzbohrern. Die Bohreinsätze sollten spitz sein und regelmäßig entnommen werden, um das Gerät von Spänen zu säubern.

**In Metall bohren**

Verwenden Sie beim Bohren in Metall ein Schneidöl. Ausnahmen sind Gusseisen und Messing, die trocken gebohrt werden müssen. Der beste Schmierstoff ist schwefelhaltiges Schneidöl.

**LED-Arbeitsleuchte (Abb. H)**

Wenn der Bohrer wird durch Ziehen des Auslöseschalters (1) aktiviert wurde, beleuchtet die integrierte LED-Arbeitsleuchte (8) automatisch den Arbeitsbereich.

**Hinweis:** Die Arbeitsleuchte soll die unmittelbare Arbeitsfläche ausleuchten und ist nicht dazu bestimmt, als Taschenlampe zu fungieren.

**Fehlerbehebung**

| Problem  | Mögliche Ursache   | Mögliche Lösung   |
|--|--|---|
| Gerät startet nicht.                               | Akku wurde nicht ordnungsgemäß angebracht.<br><br>Akku nicht geladen.  | Prüfen Sie, ob der Akku richtig angebracht wurde.<br><br>Prüfen Sie die erforderliche Ladekapazität.  |
| Gerät läuft sofort nach dem Einsetzen des Akkus an | Der Schalter wurde in der Position "Ein" gelassen.   | Der Schalter muss in die Position "Aus" gestellt werden, damit das Gerät nicht sofort anläuft, wenn der Akku eingesetzt wird.   |
| Akku lädt nicht.                                   | Akku befindet sich nicht im Ladegerät.<br><br>Das Ladegerät ist nicht mit dem Stromnetz verbunden.<br><br>Umgebungstemperatur zu hoch oder zu niedrig.   | Führen Sie den Akku in das Ladegerät ein, bis die LED leuchtet.<br><br>Stecken Sie den Stecker des Ladegeräts in eine aktive Steckdose.<br><br>Bringen Sie das Ladegerät und den Akku an einen Ort, der eine Umgebungstemperatur von über 4,5 °C und unter +40,5 °C aufweist. |
| Das Gerät schaltet sich unerwartet aus.            | Der Akku hat seine thermische Belastungsgrenze erreicht.<br><br>Akku ist entladen. Um die Lebensdauer des Akkus zu maximieren, wurde er so konzipiert, dass er sich sofort abschaltet, wenn die Ladung aufgebraucht ist. | Lassen Sie den Akku abkühlen.<br><br>Bringen Sie ihn am Ladegerät an, so dass er aufgeladen wird.   |

**Wartung**

Ihr STANLEY FATMAX-Gerät wurde im Hinblick auf eine lange Lebensdauer und einen möglichst geringen Wartungsaufwand entwickelt. Ein kontinuierlicher, zufriedenstellender Betrieb hängt von der richtigen Pflege des Gerätes und seiner regelmäßigen Reinigung ab.

Ihr Ladegerät braucht neben der normalen Reinigung keine Wartung.



**Warnung!** Entfernen Sie vor jeglichen Wartungsarbeiten am Gerät den Akku aus dem Gerät. Ziehen Sie das Ladegerät aus der Netzsteckdose, bevor Sie es reinigen.

- Reinigen Sie regelmäßig die Lüftungsschlitze des Gerätes und des Ladegeräts mit einer weichen Bürste oder einem trockenen Tuch.
- Reinigen Sie das Motorgehäuse regelmäßig mit einem feuchten Tuch.
- Verwenden Sie keine scheuerndes oder lösungsmittelbasiertes Reinigungsmittel.

## Umweltschutz



Abfalltrennung. Produkte und Akkus mit diesem Symbol dürfen nicht mit dem normalen Hausmüll entsorgt werden.

Produkte und Batterien enthalten Materialien, die zurückgewonnen oder recycelt werden können und die Nachfrage nach Rohstoffen reduzieren.

Bitte recyceln Sie Elektroprodukte und Batterien gemäß den lokalen Bestimmungen. Weitere Informationen finden Sie auf [www.2helpU.com](http://www.2helpU.com).

## Technische Daten

|                      |            | SFMC700      |
|----------------------|------------|--------------|
| Spannung             | $V_{DC}$   | 18V          |
| Leerlaufdrehzahl     | $Min^{-1}$ | 0-350/0-1500 |
| Max. Drehmoment      | Nm         | 50           |
| Bohrfutterspannweite | mm         | 13           |
| Maximale Bohrtiefe   |            |              |
| Stahl/Holz/Mauerwerk | mm         | 13/35/13     |
| Gewicht              | kg         | 1,2          |

| Ladegerät        |          | SFMCB11 | SFMCB12 | SFMCB14 |
|------------------|----------|---------|---------|---------|
| Eingangsspannung | $V_{AC}$ | 230     | 230     | 230     |
| Ausgangsspannung | $V_{DC}$ | 18      | 18      | 18      |
| Stromstärke      | A        | 1,25    | 2       | 4       |

| Akku      |          | SFMCB201 | SFMCB202 | SFMCB204 | SFMCB206 |
|-----------|----------|----------|----------|----------|----------|
| Spannung  | $V_{DC}$ | 18       | 18       | 18       | 18       |
| Kapazität | Ah       | 1,5      | 2,0      | 4,0      | 6,0      |
| Typ       |          | Li-Ion   | Li-Ion   | Li-Ion   | Li-Ion   |

| Schalldruckpegel gemäß EN62841:  |
|--|
| Schalldruck ( $L_{pA}$ ) 70,0 dB(A), Unsicherheitsfaktor (K) 5 dB(A)   |
| Schalleistung ( $L_{WA}$ ) 81,0 dB(A), Unsicherheitsfaktor (K) 5 dB(A) |

| Gesamtvibration (Triax-Vektorsumme) gemäß EN62841:                           |
|--|
| Metallbohren ( $a_{h,D}$ ) 1,2 $m/s^2$ , Unsicherheitsfaktor (K) 1,5 $m/s^2$ |

## EG-Konformitätserklärung MASCHINENRICHTLINIE



SFMC700 - Bohrer

STANLEY Europe erklärt, dass diese unter „Technische Daten“ beschriebenen Geräte übereinstimmen mit: EN62841-1:2015, EN62841-2-1:2018+A11:2019.

Diese Produkte entsprechen außerdem den Richtlinien 2006/42/EC, 2014/30/EU und 2011/65/EU. Für weitere Informationen wenden Sie sich bitte an STANLEY Europe unter der folgenden Adresse oder schauen Sie auf der Rückseite dieser Betriebsanleitung nach.

Weitere Informationen erhalten Sie von STANLEY FATMAX unter der folgenden Adresse. Diese befindet sich auch auf der Rückseite dieser Anleitung.

Der Unterzeichnete ist verantwortlich für die Zusammenstellung des technischen Dossiers und gibt diese Erklärung im Namen von STANLEY FATMAX ab.

*Patrick Diepenbach*

Patrick Diepenbach  
General Manager, Benelux

Stanley Europe,  
Egide Walschaertsstraat 14-18,  
2800 Mechelen, Belgien.

14/10/2021

## Garantie

STANLEY FATMAX vertraut auf die Qualität der eigenen Geräte und bietet dem Käufer eine außergewöhnliche Garantie von 12 Monaten ab Kaufdatum. Diese Garantie ist ergänzend und beeinträchtigt keinesfalls ihre gesetzlichen Ansprüche. Diese Garantie gilt innerhalb der Staatsgebiete der Mitgliedstaaten der Europäischen Union und der Europäischen Freihandelszone.

Zur Inanspruchnahme dieser Garantie muss sie den allgemeinen Geschäftsbedingungen von STANLEY FATMAX entsprechen und dem Verkäufer bzw. der Vertragswerkstatt ist ein Kaufnachweis vorzulegen. Die Bedingungen für die STANLEY FATMAX-Garantie von 1 Jahr und den Standort Ihrer nächstgelegenen Vertragswerkstatt finden Sie im Internet unter [www.2helpU.com](http://www.2helpU.com) oder indem Sie sich an die lokale STANLEY FATMAX-Niederlassung wenden, deren Adresse Sie in dieser Anleitung finden.

Ihr neues STANLEY FATMAX-Produkt können Sie auf unserer Website unter [www.stanleytools.eu/3](http://www.stanleytools.eu/3) registrieren. Dort erhalten Sie auch Informationen über neue Produkte und Sonderangebote.

## Utilisation prévue

Votre perceuse/visseuse STANLEY FATMAX SFMCD700 a été conçue pour visser et percer le bois, le métal et le plastique. Cet appareil est prévu pour les utilisateurs professionnels et non professionnels.

## Consignes de sécurité

### Avertissements de sécurité générale propres aux outils électriques



**Avertissement ! Lisez toutes les avertissements sur la sécurité, toutes les instructions, les illustrations et les spécifications fournies avec cet outil électrique.** Le non-respect des avertissements et des instructions listés ci-dessous peut entraîner des décharges électriques, des incendies et/ou de graves blessures.

**Conservez tous les avertissements et toutes les instructions afin de pouvoir vous y référer dans le futur.** Le terme "outil électrique" mentionné dans tous les avertissements listés ci-dessous fait référence à vos outils électriques branchés sur secteur (avec câble) ou fonctionnant sur pile ou batterie (sans fil).

#### 1. Sécurité de la zone de travail

- a. **Gardez la zone de travail propre et bien éclairée.** Les zones sombres ou encombrées sont propices aux accidents.
- b. **N'utilisez pas d'outils électriques dans un environnement présentant des risques d'explosion ou en présence de liquides, gaz ou poussières inflammables.** Les outils électriques créent des étincelles qui peuvent enflammer les poussières et les fumées.
- c. **Maintenez les enfants et les autres personnes à l'écart lorsque les outils électriques sont en marche.** Toute distraction peut vous faire perdre le contrôle de l'outil.

#### 2. Sécurité électrique

- a. **Les prises des outils électriques doivent correspondre à la prise de courant murale. Ne modifiez jamais la prise d'aucune sorte.**  
**N'utilisez aucun adaptateur avec des outils électriques reliés à la terre.** L'utilisation de prises d'origine et de prises murales appropriées permet de réduire le risque de décharge électrique.
- b. **Évitez tout contact physique avec des surfaces reliées à la terre comme des tuyaux, des radiateurs, des fours et des réfrigérateurs par exemple.** Il y a sinon un risque accru de décharge électrique si votre corps est lui-même relié à la terre.

- c. **N'exposez pas les outils électriques à la pluie, ni à l'humidité.** Le risque de décharge électrique augmente si de l'eau pénètre dans un outil électrique.
- d. **Ne tirez pas sur le cordon d'alimentation. N'utilisez jamais le cordon pour transporter, tirer ou débrancher l'outil électrique. Maintenez le cordon à l'écart de la chaleur, des substances grasses, des bords tranchants ou des pièces mobiles.** Les cordons endommagés ou emmêlés augmentent les risques de décharges électriques.
- e. **Si vous utilisez un outil électrique à l'extérieur, utilisez une rallonge homologuée pour les travaux extérieurs.** L'utilisation d'une rallonge électrique homologuée pour les travaux en extérieur réduit le risque de décharge électrique.
- f. **Si l'utilisation d'un outil électrique dans un endroit humide est inévitable, utilisez une alimentation électrique protégée par un disjoncteur différentiel à courant résiduel (DDR).** L'utilisation d'un DDR réduit le risque de décharge électrique.

#### 3. Sécurité des personnes

- a. **Restez vigilant, surveillez ce que vous faites et faites preuve de bon sens lorsque vous utilisez un outil électrique.**  
**N'utilisez pas d'outils électriques si vous êtes fatigué ou sous l'influence de drogue, d'alcool ou de médicaments.** Tout moment d'inattention pendant l'utilisation d'un outil électrique peut engendrer de graves blessures.
- b. **Portez des équipements de protection individuelle. Portez toujours une protection oculaire.** Les équipements de protection comme les masques à poussière, les chaussures de sécurité antidérapantes, les casques ou les protections auditives utilisés à bon escient réduisent le risque de blessures.
- c. **Empêchez tout démarrage intempestif. Assurez-vous que l'interrupteur est en position Arrêt avant de raccorder l'outil à l'alimentation électrique et/ou au bloc-batterie ou avant de ramasser ou de transporter l'outil.** Le fait de transporter les outils électriques du doigt sur l'interrupteur ou d'alimenter les outils électriques dont l'interrupteur est déjà en position de marche augmente le risque d'accidents.
- d. **Retirez toutes les clés ou pinces de réglage avant de mettre l'outil en marche.** Une clé ou une pince restée fixée sur une pièce rotative de l'outil électrique peut engendrer des blessures.
- e. **Ne vous penchez pas. Gardez les pieds bien ancrés au sol et conservez votre équilibre en permanence.** Cela permet de mieux maîtriser l'outil électrique en cas de situations imprévues.

- f. **Portez des vêtements appropriés. Ne portez aucuns vêtements amples, ni bijoux. Gardez vos cheveux et vos vêtements à l'écart des pièces mobiles.** Les vêtements amples, les bijoux ou les cheveux longs peuvent être happés par les pièces mobiles.
- g. **Si vous disposez de dispositifs pour l'extraction et la récupération des poussières, veillez à ce qu'ils soient correctement raccordés et utilisés.** L'utilisation de dispositifs récupérateurs de poussières réduit les risques liés aux poussières.
- h. **Ne pensez pas être à ce point familiarisé avec l'outil après l'avoir utilisé à de nombreuses reprises, au point de ne plus rester vigilant et d'en oublier les consignes de sécurité.** Toute action imprudente peut engendrer de graves blessures en une fraction de seconde.
4. **Utilisation et entretien d'un outil électrique**
- a. **Ne sur-sollicitez pas l'outil électrique. Utilisez un outil approprié, adapté au travail à réaliser.** Un outil adapté fonctionne mieux, de façon plus sûre et à la cadence pour laquelle il a été conçu.
- b. **N'utilisez pas l'outil électrique si l'interrupteur ne permet plus de le mettre en marche et de l'éteindre.** Tout outil électrique qui ne peut plus être commandé par son interrupteur est dangereux et il doit être réparé.
- c. **Débranchez la source d'alimentation électrique et/ou retirez le bloc-batterie de l'outil électrique s'il est amovible, avant d'effectuer tout réglage, de changer un accessoire ou de ranger l'outil électrique.** Ces mesures de sécurité préventives réduisent le risque de démarrage accidentel de l'outil électrique.
- d. **Rangez les outils électriques non utilisés hors de portée des enfants et ne laissez aucune personne ne connaissant pas ces outils ou leurs instructions d'utilisation les faire fonctionner.** Les outils électriques peuvent être dangereux entre des mains inexpérimentées.
- e. **Entretenez vos outils électriques et leurs accessoires. Vérifiez que les pièces mobiles sont alignées correctement et qu'elles ne sont pas coincées. Vérifiez qu'aucune pièce n'est cassée et contrôlez l'absence de toute autre condition qui pourrait nuire au bon fonctionnement de l'outil. En cas de dommage, faites réparer l'outil électrique avant de le réutiliser.** De nombreux accidents sont provoqués par des outils électriques mal entretenus.
- f. **Maintenez les outils de coupe affûtés et propres.** Des outils de coupe bien entretenus et dont le tranchant est affûté sont moins susceptibles de rester coincés et sont plus faciles à contrôler.
- g. **Utilisez l'outil électrique, les accessoires et les embouts d'outils conformément à ces instructions, en tenant compte des conditions de travail et de la tâche à effectuer.** L'utilisation d'un outil électrique à des fins autres que celles pour lesquelles il a été prévu engendre des situations dangereuses.
- h. **Maintenez toutes les poignées et surfaces de préhension sèches, propres et exemptes d'huile et de graisse.** Des poignées et des surfaces de préhension glissantes ne permettent pas de manipuler et de contrôler l'outil correctement en cas de situations inattendues.
5. **Utiliser et entretenir les outils fonctionnant sur batterie**
- a. **N'effectuez la recharge qu'à l'aide du chargeur spécifié par le fabricant.** Un chargeur adapté pour un type de bloc-batterie peut engendrer un risque d'incendie s'il est utilisé avec un bloc-batterie différent.
- b. **N'utilisez l'outil électrique qu'avec les blocs-batteries spécifiquement prévus.** L'utilisation d'un autre bloc-batterie peut créer un risque de blessures et d'incendie.
- c. **Quand le bloc-batterie n'est pas utilisé, éloignez-le d'objets en métal comme des agrafes, des pièces, des clés, des clous, des vis ou autres petits objets qui pourraient établir une connexion d'une borne à l'autre.** La mise en court-circuit des bornes d'une batterie peut provoquer des brûlures ou un incendie.
- d. **Dans des conditions extrêmes, du liquide peut être éjecté de la batterie. Évitez tout contact. En cas de contact accidentel, rincez à l'eau. En cas de contact avec les yeux, consultez en plus un médecin.** Le liquide sortant de la batterie peut provoquer des irritations ou des brûlures.
- e. **N'utilisez jamais un bloc-batterie ou un outil qui est endommagé ou qui a été modifié.** Les batteries endommagées ou modifiées peuvent avoir un comportement imprévisible qui peut conduire à un incendie, une explosion ou à un risque de blessure.
- f. **N'exposez pas le bloc-batterie ou l'outil au feu ou à des températures excessives.** L'exposition au feu ou à des températures dépassant 130 °C peut provoquer une explosion.
- g. **Respectez toutes les consignes de mise en charge et ne rechargez pas le bloc-batterie ou l'outil en dehors de la plage de températures spécifiée dans les instructions.** Une mise en charge mal effectuée ou à des températures hors de la plage spécifiée peut endommager le bloc-batterie et augmenter le risque d'incendie.



## 6. Révision/Réparation

- a. Faites réviser/réparer votre outil électrique par une personne qualifiée, n'utilisant que des pièces de rechange d'origine. Cela permet de garantir la sûreté de l'outil électrique.
- b. Ne réparez jamais un bloc-batterie endommagé. Les réparations sur les blocs-batteries ne doivent être effectuées que par le fabricant ou l'un de ses prestataires de services agréés.

## Consignes de sécurité pour toutes les opérations

- Ne tenez l'outil électrique que par ses surfaces de préhension isolées lorsque vous intervenez là où l'accessoire de coupe peut entrer en contact avec des fils cachés. Tout contact de l'accessoire de coupe avec un fil sous tension peut mettre les parties métalliques exposées de l'outil sous tension et provoquer une décharge électrique à l'utilisateur.
- Portez des protections auditives pour le perçage à percussion. L'exposition au bruit peut provoquer la perte de l'ouïe.
- Utilisez les poignées auxiliaires livrées avec l'outil. La perte de contrôle peut provoquer des blessures.
- Tenez correctement l'outil avant de l'utiliser. Cet outil génère un couple élevé et s'il n'est pas correctement tenu, une perte de contrôle pouvant provoquer des blessures est possible.

## Consignes de sécurité pour l'utilisation de mèches longues

- Ne les utilisez jamais à une vitesse supérieure à leur vitesse nominale maximum. À grande vitesse, la mèche peut plier si elle tourne dans le vide, sans être en contact avec l'ouvrage et des blessures sont possibles.
- Commencez toujours à percer à faible vitesse alors que la pointe de la mèche est en contact avec l'ouvrage. À grande vitesse, la mèche peut plier si elle tourne dans le vide, sans être en contact avec l'ouvrage et des blessures sont possibles.
- N'exercez qu'une faible pression, toujours perpendiculaire sur la mèche. Les mèches peuvent plier et casser provoquant une perte de contrôle et des blessures.
- Portez des protections auditives pour le perçage à percussion. L'exposition au bruit peut provoquer la perte de l'ouïe.
- Utilisez les poignées auxiliaires livrées avec l'outil. La perte de contrôle peut provoquer des blessures.
- Utilisez des colliers de serrage ou tout autre moyen pratique pour fixer et soutenir l'ouvrage sur une plateforme stable. Tenir l'ouvrage à la main ou contre votre corps le rend instable et peut conduire à une perte de contrôle.

- Avant de visser des fixations dans les murs, les planchers ou les plafonds, vérifiez l'emplacement des fils et des canalisations.
- L'utilisation prévue est décrite dans ce manuel d'utilisation.
- L'utilisation d'un accessoire ou d'un équipement non spécifié ou l'utilisation de cet outil à d'autres fins que celles recommandées dans ce manuel d'utilisation présentent un risque de blessures et/ou de dégâts matériels.

## Sécurité des personnes

- Cet outil n'est pas prévu pour être utilisé par des personnes (y compris des enfants) ayant des capacités mentales, sensorielles ou physiques réduites, ou celles manquant d'expérience et de connaissances, à moins qu'elles ne soient supervisées ou qu'elles n'aient été formées à l'utilisation de l'outil par une personne responsable de leur sécurité.
- Les enfants doivent être surveillés afin de garantir qu'ils ne jouent pas avec l'appareil.

## Risques résiduels

Certains risques résiduels autres que ceux mentionnés dans les avertissements sur la sécurité peuvent survenir en utilisant l'outil. Ces risques peuvent survenir si l'appareil est mal utilisé, en cas d'utilisation prolongée, etc. Malgré le respect des normes de sécurité correspondantes et la présence de dispositifs de sécurité, les risques résiduels suivants ne peuvent être évités. Ils comprennent :

- Les blessures dues au contact avec des pièces mobiles/ en rotation.
- Les blessures dues au changement de pièces, de lame ou d'accessoires.
- Les blessures dues à l'utilisation prolongée d'un outil. Lorsque vous utilisez un outil quel qu'il soit pendant de longues périodes, veillez à faire des pauses régulières.
- Les troubles de l'ouïe.
- Les risques pour la santé dus à l'inhalation des poussières émises pendant l'utilisation de l'outil (exemple : travail avec du bois, surtout le chêne, le hêtre et les panneaux en MDF).

## Vibrations

La valeur des vibrations émises déclarée dans les caractéristiques techniques et la déclaration de conformité a été mesurée conformément à une méthode de test standard établie par la norme EN62841 et elle peut être utilisée pour comparer un outil à un autre.

La valeur des vibrations émises déclarée peut aussi être utilisée pour une évaluation préliminaire à l'exposition.



**Avertissement !** En fonction de la manière dont l'outil est utilisé, la valeur réelle des vibrations émises pendant son utilisation peut différer de la valeur déclarée. Le niveau des vibrations peut dépasser le niveau déclaré.

Quand l'exposition aux vibrations est évaluée afin de déterminer les mesures de sécurité requises par la norme 2002/44/CE pour protéger les personnes utilisant régulièrement des outils électriques, cette estimation doit tenir compte des conditions réelles d'utilisation et de la façon dont l'outil est utilisé. Il faut également tenir compte de toutes les composantes du cycle de fonctionnement comme la durée pendant laquelle l'outil est arrêté et quand il fonctionne au ralenti, ainsi que la durée du déclenchement.

### Étiquettes apposées sur l'outil

Les pictogrammes suivants ainsi que le code date sont apposés sur l'outil :



**Avertissement !** Afin de réduire le risque de blessures, l'utilisateur doit lire le manuel d'utilisation.



Portez des protections auditives lorsque vous utilisez une perceuse à percussion. L'exposition au bruit peut provoquer la perte de l'ouïe.



Ne regardez pas la lampe en fonctionnement

### Consignes de sécurité supplémentaires propres aux batteries et chargeurs

#### Batteries

- Ne tentez de les ouvrir sous aucun prétexte.
- N'exposez pas la batterie à l'eau.
- Ne la rangez pas dans des endroits où la température peut dépasser 40 °C.
- Ne procédez à la charge qu'à une température ambiante comprise entre 10 °C et 40 °C.
- N'utilisez que le chargeur fourni avec l'outil.
- Pour la mise au rebut des batteries, respectez les instructions mentionnées à la section "Protection de l'environnement".

#### Chargeurs

- N'utilisez votre chargeur STANLEY FATMAX que pour recharger la batterie fournie avec l'outil. D'autres batteries pourraient exploser et provoquer des blessures et des dommages.
- Ne tentez jamais de recharger des piles non rechargeables.
- Faites immédiatement remplacer les cordons endommagés.
- N'exposez pas le chargeur à l'eau.

- N'ouvrez pas le chargeur.
- Ne sondez pas le chargeur.



Le chargeur est conçu pour être exclusivement utilisé à l'intérieur.



Lisez le manuel d'utilisation avant de l'utiliser.



N'essayez pas de recharger des batteries endommagées.

### Sécurité électrique



Votre chargeur dispose d'une double isolation, aucune liaison à la terre n'est donc nécessaire. Vérifiez toujours que la tension du réseau électrique correspond à la tension figurant sur la plaque signalétique. N'essayez jamais de remplacer le module de charge par une prise de courant ordinaire.

- Si le câble d'alimentation est endommagé, il doit être remplacé par le fabricant ou par un centre d'assistance agréé STANLEY FATMAX afin d'éviter les risques éventuels.



**Avertissement !** N'essayez jamais de remplacer le module de charge par une prise de courant ordinaire.

### Caractéristiques

Cet appareil présente tout ou partie des caractéristiques suivantes.

1. Interrupteur à gâchette
2. Bouton de sélection du sens de rotation
3. Bague de réglage du couple
4. Sélecteur de vitesse à double plage
5. Mandrin sans clé
6. Batterie
7. Bouton de libération de la batterie
8. Éclairage de travail à LED

### Utilisation



**Avertissement !** Laissez l'outil fonctionner à son propre rythme.

Ne le poussez pas au-delà de sa capacité.

### Recharger la batterie (Fig. A)

La batterie doit être rechargée avant la première utilisation et chaque fois qu'elle n'apporte plus assez de puissance pour les travaux réalisés sans peine auparavant.

La batterie peut chauffer pendant la charge. Ce phénomène est normal et n'indique pas un problème.



**Avvertissement !** Ne rechargez pas la batterie à une température ambiante inférieure à 10 °C ou supérieure à 40 °C. La température recommandée est d'environ 24 °C.




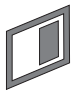


**Remarque :** Le chargeur ne recharge pas la batterie si la température de la cellule est inférieure à environ 10 °C ou supérieure à 40 °C.

La batterie doit rester dans le chargeur. Le chargeur commence automatiquement la charge dès que la température de la cellule remonte ou redescend.

**Remarque :** Afin de garantir des performances et une durée de vie optimales des blocs-batteries Li-Ion, rechargez-les complètement avant la première utilisation.

- Branchez le chargeur (9) dans une prise appropriée avant d'insérer le bloc-batterie (6).
- Le témoin de charge (9a) vert clignote en continu pour indiquer que le processus de charge a commencé.
- La fin de la charge est indiquée par le voyant vert (9a) restant allumé en continu. Le bloc-batterie (6) est alors complètement rechargé et il peut soit être retiré et utilisé, soit être laissé dans le chargeur.
- Rechargez les batteries déchargées dans un délai d'une semaine. La durée de vie de la batterie est considérablement diminuée si elle est stockée déchargée.

### État des voyants du chargeur

|  |  |   |
|--|--|---|
|    | <b>Charge :</b><br>Voyant vert qui clignote  |    |
|   | <b>Charge complète terminée :</b><br>Voyant vert allumé en fixe                            |   |
|  | <b>Délai Bloc chaud/froid :</b><br>Voyant vert qui clignote<br>Voyant rouge allumé en fixe |  |

**Remarque :** Les chargeurs compatibles ne rechargent pas les blocs-batteries défectueux. Le chargeur indique un bloc-batterie défectueux en refusant de s'allumer.

**Remarque :** Cela peut également signifier un problème avec un chargeur. Si le chargeur indique un problème, apportez-le avec le bloc-batterie dans un centre d'assistance agréé pour les faire tester.

### Laisser la batterie dans le chargeur

Le chargeur et le bloc-batterie peuvent rester raccordés avec le voyant allumé en continu. Le chargeur maintient le bloc-batterie complètement chargé.

### Délai Bloc chaud/froid

Si le chargeur détecte que la batterie est trop chaude ou trop froide, il démarre automatiquement un délai Bloc Chaud/Froid, le voyant vert (9a) clignote en continu alors que le voyant rouge (9b) reste allumé en continu. La charge est suspendue jusqu'à ce que la batterie ait atteint une température appropriée. Le chargeur passe ensuite automatiquement en mode Charge. Cette fonctionnalité assure la durée de vie maximale de la batterie.

### Témoin du niveau de charge de la batterie (Fig. B)

La batterie intègre un témoin de niveau de charge qui permet de savoir rapidement la charge restante de la batterie, comme illustré par la figure B. En appuyant sur le bouton du témoin de niveau charge (6a) vous pouvez facilement voir le niveau de charge restant dans la batterie, comme illustré par la figure B.



### Insérer et retirer le bloc-batterie de l'outil



**Avvertissement !** Avant de retirer ou d'installer la batterie, assurez-vous que le bouton de verrouillage est enclenché afin d'empêcher le déclenchement de l'interrupteur.

### Pour installer le bloc-batterie (Fig. C)

- Insérez le bloc-batterie fermement dans l'outil jusqu'à entendre un clic comme illustré par la figure C. Assurez-vous que le bloc-batterie est bien en place et parfaitement verrouillé.

### Pour retirer le bloc-batterie (Fig. D)

- Appuyez sur le bouton de libération de la batterie (7) comme illustré par la figure D et tirez sur le bloc-batterie pour le sortir de l'outil.

### Crochet pour ceinture (accessoire en option) (Fig. E, F)



**Avvertissement !** Afin de réduire tout risque de blessures graves, placez le bouton de réglage du sens de rotation sur la position Verrouillé ou éteigné l'outil et retirez le bloc-batterie avant d'effectuer tout réglage ou avant de retirer/installer tout équipement ou accessoire. Tout démarrage accidentel peut provoquer des blessures.



**Avvertissement !** Afin de réduire le risque de blessures graves, n'utilisez le crochet de ceinture (10) QUE pour suspendre l'outil à une ceinture de travail. N'utilisez PAS le crochet de ceinture pour attacher ou fixer l'outil sur une personne ou un objet pendant l'utilisation. NE suspendez PAS l'outil au-dessus de votre tête et NE suspendez AUCUN objet par le crochet de ceinture.



**Avertissement !** Afin de réduire le risque de blessures graves, assurez-vous que la vis (11) qui retient le crochet de ceinture est bien fixée.

**Remarque :** Pour fixer ou déplacer le crochet de ceinture (10), n'utilisez que la vis (11) fournie. Assurez-vous de bien serrer la vis.

Le crochet de ceinture (10) peut être attaché d'un côté ou de l'autre de l'outil en le glissant dans les fentes (12) et en utilisant la vis fournie (11) uniquement, afin de convenir aux utilisateurs droitiers ou gauchers. Si le crochet n'est pas nécessaire, il peut être retiré de l'outil. Pour déplacer le crochet de ceinture (10), retirez la vis (11) qui le retient en place, puis remontez-le de l'autre côté.

Assurez-vous de bien serrer la vis (11).

**Remarque :** Il existe différents crochets pour rails muraux et configurations de rangement.

Visitez notre site Internet [www.stanleytools.eu/3](http://www.stanleytools.eu/3) pour avoir plus de précisions.

### Mandrin sans clé (Fig. G)



**Avertissement !** Avant d'installer ou de retirer des accessoires, assurez-vous que le bloc-batterie a été retiré afin d'empêcher toute mise en marche accidentelle de l'outil.

Pour insérer une mèche ou un autre accessoire :

- Attrapez le mandrin (5) et tournez-le dans le sens inverse des aiguilles d'une montre, vu depuis l'extrémité du mandrin.
- Insérez l'embout ou tout autre accessoire (13) complètement dans le mandrin puis fixez-le fermement en le tournant le mandrin dans le sens des aiguilles d'une montre, vu depuis l'extrémité du mandrin.



**Avertissement !** Ne tentez pas de serrer ou de desserrer des mèches (ou tout autre accessoire) en saisissant la partie avant du mandrin et en mettant l'outil en marche.

Cela pourrait endommager le mandrin et provoquer des blessures.

### Interrupteur à gâchette et bouton de sélection du sens de rotation (Fig. H)

- La perceuse est allumée et éteinte en appuyant et en relâchant l'interrupteur à gâchette (1) illustré par la figure H. Plus la gâchette est enfoncée, plus la vitesse de la perceuse est élevée.
- Un bouton de sélection du sens de rotation (2) sert à choisir le sens de rotation de l'outil mais il sert aussi de bouton de verrouillage.
- Pour sélectionner un sens de rotation en marche avant, relâchez la gâchette et enfoncez le bouton de sélection du sens de rotation sur le côté droit de l'outil.

- Pour sélectionner le sens de rotation en marche arrière, appuyez sur le bouton de sélection du sens de rotation sur le côté gauche de l'outil.
- La position centrale du bouton de sélection permet de verrouiller l'outil à l'arrêt. Avant de changer la position du bouton de sélection, assurez-vous que la gâchette est bien relâchée.

### Régler la sélection du couple (Fig. I)

Cet outil est équipé d'une bague de réglage du couple (3) qui permet de sélectionner le mode de fonctionnement et de définir le couple pour le serrage des vis. Les grandes vis et les matières dures nécessitent un couple de serrage plus élevé que les petites vis et les matières tendres.

- Pour percer du bois, du métal et du plastique, réglez la bague (3) sur le symbole de perçage.
- Pour visser, réglez la bague dans la position désirée. Si vous ne connaissez pas encore le réglage approprié, procédez comme suit :
  - ◆ Réglez la bague sur le couple le plus faible.
  - ◆ Serrez la première vis.
  - ◆ Si l'embrayage cliquette avant d'obtenir le résultat désiré, augmentez le réglage de la bague et continuez le serrage de la vis.
  - ◆ Recommencez jusqu'à avoir atteint le bon réglage.
  - ◆ Utilisez ce réglage pour les vis restantes.

### Interrupteur à deux plages de vitesse (Fig. J)

La fonction Deux plages de vitesse de votre perceuse vous permet de changer de vitesse pour augmenter la polyvalence de l'outil.

- Pour sélectionner une vitesse lente et un couple élevé, (position 1), éteignez l'outil et laissez-le s'arrêter. Faites glisser le sélecteur de vitesse vers l'arrière (4) loin du mandrin.
- Pour sélectionner une vitesse rapide et un couple faible (position 2), éteignez l'outil et attendez qu'il s'arrête. Faites glisser le sélecteur de vitesse vers l'avant (vers le mandrin).

**Remarque :** Ne changez pas de vitesse lorsque l'outil est en marche. En cas de problème pour changer de vitesse, assurez-vous que le sélecteur de vitesse est bien complètement poussé vers l'avant ou vers l'arrière.

### Serrer des vis

- Pour visser des fixations, le bouton de sélection du sens de rotation doit être poussé vers la gauche.
- Utilisez le sens inverse (bouton poussé vers la droite) pour retirer les fixations.

**Remarque :** Relâchez toujours l'interrupteur à gâchette avant de déplacer le bouton.

### Perçer

- N'utilisez que des mèches bien aiguisées.
- Soutenez et fixez l'ouvrage correctement, comme indiqué dans les consignes de sécurité.

- Utilisez les équipements de protection nécessaires appropriés, tels que mentionnés dans les consignes de sécurité.
- Sécurisez et entretenez la zone de travail correctement, comme indiqué dans les consignes de sécurité.
- Commencez par utiliser la perceuse très lentement, avec peu de pression, jusqu'à ce que le trou soit suffisamment formé pour que la mèche n'en sorte plus.
- Appliquez une pression perpendiculaire sur la mèche. Exercez suffisamment de pression pour que la mèche avance, mais ne poussez pas de manière excessive afin d'éviter que le moteur ne cale ou que la mèche ne dévie.
- Tenez fermement la perceuse à deux mains, une main sur la poignée et l'autre main encerclant le bas de l'outil dans la zone de la batterie ou sur la poignée auxiliaire si votre outil en a une.
- N'ACTIONNEZ PAS LA GÂCHETTE D'UNE PERCEUSE QUI A CALÉ POUR TENTER DE LA DÉMARRER. VOUS POURRIEZ ENDOMMAGER LA PERCEUSE.
- Évitez les calages pendant les percées en réduisant la pression et en perçant doucement la dernière partie du trou.
- Laissez le moteur tourner en sortant la mèche du trou. Cela permet d'éviter qu'elle se coince.
- Assurez-vous que l'interrupteur allume et éteint bien la perceuse correctement.

### Percer le bois

Le bois peut être percé avec les mêmes forets hélicoïdaux utilisés pour le métal ou avec des mèches plates. Ces forets doivent être aiguisés et fréquemment sortis du trou pendant le perçage afin de supprimer les copeaux des cannelures.

### Percer le métal

Utilisez un lubrifiant de coupe pour percer les métaux. La fonte et le laiton doivent en revanche être percés à sec. Les lubrifiants de coupe les plus appropriés sont à base d'huile sulfurée.

### Éclairage de travail à LED (Fig. H)

Dès que la perceuse est mise en marche en appuyant sur l'interrupteur à gâchette (1), l'éclairage de travail à LED (8) éclaire automatiquement la zone de travail.

**Remarque :** L'éclairage de travail sert à éclairer la surface de travail immédiate et il ne doit pas être utilisé comme lampe torche.

## Dépannage

| Problème  | Cause possible  | Solution possible   |
|---|---|---|
| La machine ne démarre pas.  | Le bloc-batterie n'est pas bien installé.   | Vérifiez l'installation du bloc-batterie.   |
|   | Le bloc-batterie n'est pas rechargé.  | Vérifiez le besoin en charge du bloc-batterie.  |
| L'appareil démarre immédiatement après l'insertion de la batterie | L'interrupteur a été laissé en position "Marche".   | L'interrupteur doit être déplacé sur la position "Arrêt" afin d'éviter que l'outil ne démarre immédiatement après l'insertion de la batterie. |
| Le bloc-batterie ne se recharge pas.                              | Le bloc-batterie n'est pas installé dans le chargeur.   | Insérez le bloc-batterie dans le chargeur jusqu'à ce que le voyant s'allume.  |
|   | Le chargeur n'est pas branché.  | Branchez le chargeur dans une prise murale qui fonctionne.  |
|   | La température ambiante est trop chaude ou trop froide.   | Déplacez le chargeur et le bloc-batterie dans un endroit où la température ambiante est supérieure à 4,5°C ou inférieure à +40,5°C.           |
| La machine s'éteint brusquement.                                  | Le bloc-batterie a atteint sa limite thermique maximum.   | Laissez le bloc-batterie refroidir.   |
|   | Déchargé. (Afin de maximiser la durée de vie du bloc-batterie, il est conçu pour s'arrêter brusquement lorsque la batterie est déchargée) | Placez-le dans le chargeur et laissez-le se recharger.  |

## Maintenance

Votre outil STANLEY FATMAX a été conçu pour fonctionner longtemps avec un minimum d'entretien. Le fonctionnement continu et satisfaisant de l'outil dépend de son bon entretien et de son nettoyage régulier.

Votre chargeur ne nécessite aucun entretien particulier, à l'exception d'un nettoyage régulier.



**Avertissement !** Avant de réaliser toute opération de maintenance sur l'outil, retirez la batterie de l'outil. Débranchez le chargeur avant de le nettoyer.

- Nettoyez régulièrement les fentes d'aération de votre outil et du chargeur à l'aide d'une brosse souple ou d'un chiffon sec.
- Nettoyez régulièrement le bloc-moteur à l'aide d'un chiffon humide.
- N'utilisez pas de détergents abrasifs ou à base de solvants.

## Protection de l'environnement



Tri sélectif. Les produits et piles/batteries marqués de ce symbole ne doivent pas être jetés avec les déchets ménagers.

Les produits et les piles/batteries contiennent des matières qui peuvent être récupérées et recyclées afin de réduire la demande en matières premières.

Veillez à recycler les produits électriques et les batteries/piles conformément aux prescriptions locales en vigueur. Plus d'informations sont disponibles sur le site [www.2helpU.com](http://www.2helpU.com)

## Caractéristiques techniques

|                                    |                   | SFMC700      |
|------------------------------------|-------------------|--------------|
| Tension                            | $V_{CC}$          | 18V          |
| Vitesse à vide                     | $\text{Min}^{-1}$ | 0-350/0-1500 |
| Couple maxi                        | Nm                | 50           |
| Capacité du mandrin                | mm                | 13           |
| Capacité de perçage maxi           |                   |              |
| Acier/bois/matériaux de maçonnerie | mm                | 13/35/13     |
| Poids                              | kg                | 1,2          |

| Chargeur          |          | SFMCB11 | SFMCB12 | SFMCB14 |
|-------------------|----------|---------|---------|---------|
| Tension d'entrée  | $V_{CA}$ | 230     | 230     | 230     |
| Tension de sortie | $V_{CC}$ | 18      | 18      | 18      |
| Courant           | R        | 1,25    | 2       | 4       |

| Batterie |          | SFMCB201 | SFMCB202 | SFMCB204 | SFMCB206 |
|----------|----------|----------|----------|----------|----------|
| Tension  | $V_{CC}$ | 18       | 18       | 18       | 18       |
| Capacité | Ah       | 1,5      | 2,0      | 4,0      | 6,0      |
| Type     |          | Li-Ion   | Li-Ion   | Li-Ion   | Li-Ion   |

| Niveau de pression sonore selon la norme EN62841 : |                                     |
|--|-------------------------------------|
| Pression sonore ( $L_{pA}$ )                       | 70,0 dB(A), incertitude (K) 5 dB(A) |
| Puissance sonore ( $L_{WA}$ )                      | 81,0 dB(A), incertitude (K) 5 dB(A) |

| Valeurs totales des vibrations (somme vectorielle triaxiale) selon la norme EN62841 : |   |
|---|---|
| Perçage du métal ( $a_{h,D}$ )  | 1,2 $\text{m/s}^2$ , incertitude (K) 1,5 $\text{m/s}^2$ |

## Déclaration de conformité CE

DIRECTIVES MACHINES



SFMC700 - Perceuse

STANLEY Europe déclare que les produits décrits dans les "Caractéristiques techniques" sont conformes aux normes : EN62841-1:2015, EN62841-2-1:2018+A11:2019.

Ces produits sont également conformes aux Directives 2006/42/CE, 2014/30/UE et 2011/65/UE. Pour plus de détails, veuillez contacter STANLEY Europe à l'adresse suivante ou consulter la dernière page du manuel.

Pour obtenir plus de précisions, veuillez contacter STANLEY FATMAX à l'adresse suivante ou vous reporter au dos du manuel.

Le soussigné est responsable de la compilation du dossier technique et il fait cette déclaration au nom de STANLEY FATMAX.

*Patrick Diepenbach*

Patrick Diepenbach  
General Manager, Benelux  
Stanley Europe, Egide Walschaertsstraat14-18,  
2800 Mechelen, Belgique  
14/10/2021

## Garantie

STANLEY FATMAX est sûr de la qualité de ses produits et offre une garantie de 12 mois à ses clients, à partir de la date d'achat. Cette garantie s'ajoute à vos droits légaux auxquels elle ne porte aucunement préjudice. Cette garantie est valable au sein des territoires des États membres de l'Union Européenne et au sein de la Zone européenne de libre-échange.

Pour prétendre à la garantie, la réclamation doit être conforme aux conditions générales de STANLEY FATMAX et vous devez fournir une preuve d'achat au vendeur ou au réparateur agréé. Les conditions générales de la garantie STANLEY FATMAX de 1 an ainsi que l'adresse du réparateur agréé le plus proche sont disponibles sur le site Internet [www.2helpU.com](http://www.2helpU.com) ou en contactant votre agence STANLEY FATMAX locale à l'adresse indiquée dans ce manuel.

Veillez consulter notre site Internet [www.stanleytools.eu/3](http://www.stanleytools.eu/3) pour enregistrer votre nouveau produit STANLEY FATMAX et pour être tenu informé des nouveaux produits et offres spéciales.

## Uso previsto

L'avvitatore/trapano STANLEY FATMAX SFMCD700 è stato progettato per avvitare e per trapanare legno, metallo e plastica. Questo apparecchio è concepito per uso professionale e privato e per utenti non professionisti.

## Istruzioni di sicurezza

### Avvertenze generali di sicurezza per gli elettroutensili



**Avvertenza! Leggere tutte le avvertenze, istruzioni, illustrazioni e specifiche fornite con l'elettroutensile.** La mancata osservanza delle avvertenze e istruzioni seguenti potrebbe causare scosse elettriche, incendi e/o gravi lesioni.

**Conservare tutte le avvertenze e le istruzioni per consultazioni future.** Il termine "elettroutensile" utilizzato nelle avvertenze fa riferimento sia agli apparati alimentati a corrente (con cavo elettrico), sia a quelli a batteria (senzaxcavo).

#### 1. Sicurezza dell'area di lavoro

- Mantenere pulita e ben illuminata l'area di lavoro.** Gli ambienti disordinati o scarsamente illuminati favoriscono gli incidenti.
- Non azionare gli elettroutensili in ambienti con atmosfera esplosiva, come quelli in presenza di liquidi, gas o polveri infiammabili.** Gli elettroutensili producono scintille che possono incendiare le polveri o i fumi.
- Durante l'uso di un elettroutensile, tenere lontani i bambini e le altre persone presenti nelle vicinanze.** Eventuali distrazioni possono provocare la perdita di controllo dell'elettroutensile.

#### 2. Sicurezza elettrica

- Le spine degli elettroutensili devono essere adatte alla presa di corrente. Non modificare la spina in alcun modo.**  
**Non collegare un adattatore alla spina di un elettroutensile collegato a terra.** Per ridurre il rischio di scossa elettrica evitare di modificare le spine e utilizzare sempre le prese appropriate.
- Evitare il contatto con superfici collegate a terra, quali tubature, termosifoni, fornelli e frigoriferi.** Se il corpo dell'utilizzatore è collegato a terra, il rischio di scossa elettrica aumenta.
- Non esporre gli elettroutensili alla pioggia o all'umidità.** Se l'acqua entra nell'elettroutensile aumenta il rischio di scossa elettrica.

- Non abusare del cavo elettrico. Non utilizzare mai il cavo per spostare, tirare o scollegare l'elettroutensile. Tenere il cavo elettrico lontano da fonti di calore, olio, bordi taglienti o parti in movimento.** Se il cavo è danneggiato o impigliato, il rischio di scossa elettrica aumenta.
- Se l'elettroutensile viene utilizzato all'aperto, usare esclusivamente prolunghie omologate per l'impiego all'esterno.** L'uso di un cavo di alimentazione adatto per esterni riduce il rischio di scossa elettrica.
- Se non è possibile evitare di utilizzare un elettroutensile in una zona umida, collegarsi a una rete elettrica protetta da un interruttore differenziale salvavita (RCD).** L'uso di un interruttore differenziale riduce il rischio di scossa elettrica.

#### 3. Sicurezza personale

- È importante concentrarsi su ciò che si sta facendo e maneggiare con giudizio l'elettroutensile. Non utilizzare l'elettroutensile quando si è stanchi o sotto l'effetto di sostanze stupefacenti, alcool o medicinali.** Un solo attimo di distrazione durante l'uso di tali elettroutensili potrebbe provocare gravi lesioni personali.
- Usare dispositivi di protezione individuale. Indossare sempre occhiali di protezione.** L'uso di dispositivi di protezione, quali mascherine antipolvere, scarpe antinfortunistiche antiscivolo, caschi di sicurezza o protezioni uditive, in condizioni opportune consente di ridurre le lesioni personali.
- Evitare avvii involontari. Assicurarsi che l'interruttore sia in posizione di spento prima inserire l'alimentazione elettrica e/o il pacco batteria e prima di afferrare o trasportare l'utensile.** Il trasporto di elettroutensili tenendo il dito sull'interruttore o quando sono collegati alla rete elettrica con l'interruttore nella posizione di accesso provoca incidenti.
- Prima di accendere l'apparato elettrico, rimuovere eventuali chiavi o utensili di regolazione.** Un utensile di regolazione o una chiave attaccati a una parte rotante dell'elettroutensile possono provocare lesioni personali.
- Non sporgersi troppo. Mantenere sempre un appoggio e un equilibrio adeguati.** Ciò consente un migliore controllo dell'elettroutensile nelle situazioni impreviste.
- Indossare indumenti adeguati. Non indossare abiti larghi o gioielli. Tenere capelli, e indumenti lontano dalle parti mobili.** Abiti larghi, gioielli o capelli lunghi possono impigliarsi nelle parti in movimento.
- Se gli elettroutensili sono provvisti di attacchi per il collegamento di dispositivi di aspirazione o di raccolta delle polveri, assicurarsi che questi siano installati e utilizzati correttamente.** La raccolta delle polveri può ridurre i pericoli legati a queste ultime.

- h. Non lasciare che la familiarità acquisita dall'uso frequente degli utensili induca a cedere alla tentazione di ignorare i principi di utilizzo sicuro degli stessi.**  
Un'azione imprudente potrebbe provocare lesioni gravi in una frazione di secondo.
- 4. Uso e cura degli elettroutensili**
- a. Non forzare l'elettroutensile. Utilizzare un elettroutensile adatto al lavoro da eseguire.**  
L'elettroutensile lavora meglio e con maggior sicurezza se utilizzato in base all'uso previsto.
- b. Non usare l'apparato elettrico se l'interruttore non si accende e spegne.** Qualsiasi elettroutensile che non possa essere controllato tramite l'interruttore è pericoloso e deve essere riparato.
- c. Staccare la spina dalla presa elettrica e/o rimuovere la batteria, se smontabile, dell'elettroutensile prima di effettuare qualsiasi tipo di regolazione, di cambiare gli accessori o di riparlo.** Queste misure di sicurezza preventive riducono il rischio di azionare l'apparato accidentalmente.
- d. Conservare gli elettroutensili non utilizzati fuori dalla portata dei bambini ed evitarne l'uso da parte di persone che hanno poca familiarità con l'elettroutensile e con le presenti istruzioni.** Gli elettroutensili sono pericolosi in mano a persone inesperte.
- e. Sottoporre elettroutensili e accessori a manutenzione. Verificare che le parti mobili siano correttamente allineate e non inceppate, che non vi siano componenti rotti e che non sussistano altre condizioni che possono compromettere il funzionamento dell'elettroutensile. Se danneggiato, far riparare l'elettroutensile prima dell'uso.** Molti incidenti sono provocati da elettroutensili non sottoposti a una corretta manutenzione.
- f. Mantenere affilati e puliti gli utensili da taglio.** La manutenzione corretta degli utensili da taglio con bordi affilati riduce le probabilità di inceppamento e ne facilita il controllo.
- g. Utilizzare l'elettroutensile, gli accessori e le punte in conformità alle presenti istruzioni, tenendo conto delle condizioni di lavoro e del lavoro da eseguire.** L'utilizzo dell'elettroutensile per impieghi diversi da quelli previsti può provocare situazioni di pericolo.
- h. Mantenere le impugnature e le superfici di presa asciutte, pulite e senza tracce di olio o grasso.** Impugnature e superfici di presa scivolose non consentono di maneggiare e controllare in modo sicuro l'utensile nel caso di imprevisti.
- 5. Uso e cura degli elettroutensili a batteria**
- a. Caricare la batteria utilizzando esclusivamente il caricabatterie specificato dal produttore.** Un caricabatterie adatto per un pacco batteria di un determinato tipo può esporre al rischio d'incendio se usato con un pacco batteria diverso.
- b. Usare gli elettroutensili esclusivamente con i pacchi batteria specificamente designati.** L'impiego di pacchi batteria di tipo diverso potrebbe comportare il rischio di lesioni alle persone e incendi.
- c. Quando il battery pack non viene usato, tenerlo lontano da altri oggetti metallici tipo graffette, monete, chiavi, chiodi, viti o altri oggetti metallici di piccole dimensioni, che potrebbero cortocircuitare un morsetto con l'altro.** Se i terminali del pacco batteria vengono cortocircuitati potrebbero causare ustioni o un incendio.
- d. In condizioni di sovraccarico, le batterie possono perdere liquido: evitare di toccarlo. In caso di contatto accidentale, sciacquare con acqua. Se del liquido entra a contatto con gli occhi, rivolgersi a un medico.**  
Il liquido che fuoriesce dalla batteria può causare irritazioni o ustioni.
- e. Non utilizzare un pacco batteria o un utensile danneggiati o modificati.** Le batterie danneggiate o modificate potrebbero manifestare un comportamento imprevedibile con la possibilità di causare un'esplosione o un incendio.
- f. Non esporre un pacco batteria o un utensile al fuoco o a temperature elevate.** L'esposizione al fuoco o a una temperatura superiore a 130°C potrebbe provocare un'esplosione.
- g. Seguire tutte le istruzioni per la carica e non caricare il pacco batteria o l'elettroutensile a una temperatura che non rientri nell'intervallo di valori specificato nelle istruzioni.** Una carica effettuata in maniera scorretta o a una temperatura che non rientra nell'intervallo di valori specificato potrebbe danneggiare la batteria aumentando il rischio d'incendio.
- 6. Assistenza**
- a. L'elettroutensile deve essere riparato da personale qualificato, che utilizzi ricambi originali identici alle parti da sostituire. In questo modo viene garantita la sicurezza dell'elettroutensile.**
- b. Non riparare i pacchi batteria danneggiati. Gli interventi di riparazione sui pacchi batteria devono essere eseguiti dal costruttore o da fornitori di assistenza autorizzati.**



## 1) Istruzioni di sicurezza per tutte le operazioni

- **Sostenere l'apparato con supporti aventi superfici isolanti quando si eseguono lavorazioni in cui l'accessorio di taglio potrebbe toccare cavi elettrici nascosti.** Gli accessori di taglio che vengono a contatto con un cavo sotto tensione trasmettono la corrente elettrica anche alle parti metalliche esposte dell'elettrotensile e possono provocare la folgorazione dell'operatore.
- **Indossare otoprotezioni quando si usano i trapani a percussione. L'esposizione al rumore può causare la perdita dell'udito.**
- **Usare le impugnature ausiliarie fornite con l'elettrotensile.** La perdita del controllo può causare lesioni alle persone.
- **Sostenere correttamente l'utensile prima dell'uso.** Questo utensile produce una coppia di uscita elevata e senza sostenere correttamente l'utensile durante il funzionamento si può verificare una perdita di controllo con conseguenti lesioni personali.

## Istruzioni di sicurezza per l'uso con punte lunghe

- ◆ **Non utilizzare mai il trapano avvitatore a una velocità superiore alla velocità nominale massima della punta impiegata.** In caso contrario è probabile che la punta si pieghi se viene lasciata ruotare liberamente senza toccare il pezzo in lavorazione, con la possibilità che si verifichino lesioni a persone.
- ◆ **Iniziare sempre a perforare a bassa velocità con la punta a contatto con il pezzo in lavorazione.** In caso contrario è probabile che la punta si pieghi se viene lasciata ruotare liberamente senza toccare il pezzo in lavorazione, con la possibilità che si verifichino lesioni a persone.
- ◆ **Esercitare pressione solo in linea diretta con la punta.** Non esercitare una pressione eccessiva. Le punte possono piegarsi causando rottura o perdita di controllo, con conseguenti possibili lesioni a persone.
- ◆ **Usare morse o altri metodi pratici per fissare e bloccare il pezzo da lavorare ad una piattaforma stabile.** Tenere il lavoro con le mani o contro il corpo non assicura la stabilità e potrebbe portare ad una perdita del controllo.
- ◆ **Prima di avvitare viti in pareti, pavimenti o soffitti, controllare l'ubicazione di fili e tubazioni.**
- ◆ **L'utilizzo previsto è indicato nel presente manuale.**
- ◆ **Se questo elettrotensile viene usato con accessori o per usi diversi da quelli raccomandati nel presente manuale d'uso, si potrebbero verificare lesioni personali e/o danni alle cose.**

## Sicurezza altrui

- Questo elettrotensile non è stato progettato per impiego da parte di persone (o bambini) portatrici di handicap fisici, psichici o sensoriali o che non abbiano la dovuta esperienza o conoscenza, a meno che non siano seguite o opportunamente istruite sul suo impiego da parte di una persona responsabile della loro sicurezza.
- I bambini devono essere sorvegliati per assicurarsi che non giochino con l'elettrotensile.

## Rischi residui

L'utilizzo dell'elettrotensile può comportare rischi residui non necessariamente riportati nelle presenti avvertenze di sicurezza. Tali rischi possono sorgere a causa di un uso prolungato o improprio, e così via. Malgrado l'osservanza dei relativi regolamenti di sicurezza e l'impiego dei dispositivi di sicurezza, determinati rischi residui non possono essere evitati. Sono inclusi:

- lesioni personali causate dal contatto con parti rotanti/in movimento;
- lesioni personali subite durante la sostituzione di parti, lame o accessori;
- lesioni personali causate dall'impiego prolungato di un elettrotensile; quando si utilizza qualsiasi elettrotensile per periodi prolungati, assicurarsi di fare pause regolari;
- menomazioni uditive;
- rischi per la salute causati dalla respirazione delle polveri sviluppate durante l'utilizzo dell'utensile (ad esempio quando si lavora con il legno, in modo particolare quello di quercia, faggio o l'MDF).

## Vibrazione

I valori di emissione di vibrazione dichiarati, indicati al capitolo "Dati tecnici" e nella Dichiarazione di conformità di questo manuale, sono stati misurati attenendosi a un metodo di prova standard previsto dalla normativa EN62841 e possono essere usati come termine di paragone tra due utensili.

Il valore di emissione di vibrazione dichiarato può anche essere usato per una valutazione preliminare dell'esposizione.

**Avvertenza!** Il livello di emissione di vibrazioni durante l'uso effettivo dell'elettrotensile può differire dal valore dichiarato, a seconda delle modalità di utilizzo dell'elettrotensile.

Il livello di emissione di vibrazioni potrebbe superare il valore dichiarato.

Quando si valuta l'esposizione alla vibrazione per stabilire le misure di sicurezza richieste, in conformità alla normativa 2002/44/CE destinata alla protezione delle persone che usano regolarmente elettrotensili nello svolgimento delle proprie mansioni lavorative, è necessario prendere in considerazione le condizioni effettive di utilizzo e il modo in cui l'elettrotensile viene usato, oltre che tenere conto di tutte le componenti del ciclo operativo, vale a dire i periodi in cui l'elettrotensile è spento, quelli in cui è acceso ma a riposo e quelli in cui viene effettivamente utilizzato.

## Etichette sull'apparato

Sull'elettrotensile compaiono i seguenti pittogrammi insieme al codice data:



**Avvertenza!** Per ridurre il rischio di lesioni personali l'utilizzatore deve leggere il manuale di istruzioni.



Indossare otoprotezioni quando si usano i trapani a percussione. L'esposizione al rumore può causare la perdita dell'udito.



Non fissare la lampada operatoria

## Istruzioni di sicurezza aggiuntive per batterie e caricabatterie

### Batterie

- Non tentare mai di aprire la batteria per alcun motivo.
- Non lasciare che la batteria si bagni.
- Non conservare in luoghi dove la temperatura potrebbe superare i 40 °C.
- Caricare solo a temperature ambiente tra 10 °C e 40 °C.
- Caricare solo usando il caricabatterie fornito con l'elettrotensile.
- Quando si smaltiscono le batterie, seguire le istruzioni riportate al capitolo "Protezione dell'ambiente".

### Caricabatterie

- Usare l'alimentatore STANLEY FATMAX solo per caricare la batteria nell'apparecchio con il quale è stato fornito. Batterie diverse potrebbero scoppiare, causando lesioni alle persone e danni materiali.
- Non tentare mai di caricare batterie non ricaricabili.
- Fare sostituire immediatamente i cavi di alimentazione difettosi.
- Non lasciare che il caricabatterie si bagni.
- Non aprire il caricabatterie.
- Non collegare l'alimentatore a sonde.



Il caricabatterie è destinato solo all'uso in ambienti chiusi.



Leggere il manuale d'istruzioni prima dell'uso.



Non tentare di caricare batterie danneggiate.

## Sicurezza elettrica



Il doppio isolamento di cui è provvisto il caricabatterie rende superfluo il filo di terra. Verificare sempre che la tensione di rete corrisponda alla tensione indicata sulla targhetta dei valori nominali. Non tentare mai di sostituire il caricabatterie con una normale spina di rete.

- Per prevenire pericoli, i cavi di alimentazione danneggiati devono essere sostituiti dal produttore o da un centro di assistenza STANLEY FATMAX.



**Avvertenza!** Non tentare mai di sostituire il caricabatterie con una normale spina di rete.

## Caratteristiche

Questo elettrotensile presenta alcune o tutte le seguenti caratteristiche.

1. Grilletto di azionamento
2. Pulsante avanti/indietro
3. Collare di regolazione coppia
4. Selettore di marce doppie
5. Mandrino autoserrante
6. Batteria
7. Pulsante di rilascio della batteria
8. Luce di lavoro a LED

## Uso



**Avvertenza!** Lasciare che l'elettrotensile funzioni al suo ritmo. Non sovraccaricarlo.

## Carica della batteria (Fig. A)

La batteria deve essere caricata prima dell'impiego iniziale e quando non eroga una potenza sufficiente per lavori che prima era possibile eseguire facilmente.

Durante la carica, la batteria potrebbe riscaldarsi. Si tratta di un fatto normale che non indica la presenza di un problema.



**Avvertenza!** Non caricare la batteria a temperature ambientali inferiori a 10 °C o superiori a 40 °C. La temperatura di carica consigliata è di circa 24 °C.

**Nota: il caricabatterie non carica una batteria se la temperatura delle celle è inferiore a 10 °C o superiore a 40 °C.**






**La batteria deve essere lasciata nel caricabatterie, che incomincerà a caricare automaticamente quando la temperatura della cella aumenta o diminuisce.**

**Nota:** per garantire la massima prestazione e durata dei pacchi batteria agli ioni di litio, caricare completamente il pacco batteria prima di utilizzarlo per la prima volta.

- Collegare il caricabatterie (9) ad una presa di corrente adatta prima di inserire il pacco batteria (6).
- La spia verde di carica in corso (9a) lampeggia continuamente, indicando che è iniziato il processo di carica.

- Il completamento della carica sarà indicato dalla luce rossa (9a) che rimane accesa fissa. Il pacco batteria (6) è completamente carico e può essere utilizzato in questo momento o lasciato nel caricabatterie.
- Caricare le batterie scariche entro 1 settimana. La durata delle batterie si riduce parecchio se sono conservate scariche.

### Modalità LED del caricabatterie

|  |   |   |
|--|---|---|
|  | <b>Carica in corso:</b><br>LED verde intermittente  |  |
|  | <b>Carica completa:</b><br>LED verde acceso fisso   |  |
|  | <b>Ritardo per pacco caldo/freddo:</b><br>LED verde intermittente<br>LED rosso acceso fisso |  |

**Nota:** I caricabatterie compatibili non caricheranno un pacco batteria difettoso. Il caricabatterie non si illuminerà indicando che un pacco batteria è difettoso.

**Nota:** questo potrebbe anche indicare un problema del caricabatterie. Se il caricabatterie indica la presenza di un problema, portare il caricabatterie e il pacco batteria presso un centro di assistenza autorizzato per essere testati.

### Batteria lasciata nel caricabatterie

Il caricabatterie e il pacco batteria possono essere lasciati collegati con il LED sempre acceso. Il caricabatterie manterrà il pacco batteria come nuovo e completamente carico.

### Ritardo per pacco caldo/freddo

Quando il caricabatterie rileva una batteria troppo calda o troppo fredda, avvia automaticamente un Ritardo per pacco batteria caldo/freddo, il LED verde (9a) lampeggia a intermittenza, mentre il LED rosso (9b) rimane acceso continuamente, sospendendo la ricarica fino a che la batteria non ha raggiunto la temperatura appropriata. Il caricabatterie quindi passa automaticamente alla modalità di carica. Questa funzione garantisce la massima durata della batteria.

### Indicatore dello stato di carica della batteria (Fig. B)

La batteria include un indicatore dello stato di carica per determinare rapidamente la durata della batteria come indicato in figura B. Premendo lo stato del pulsante di ricarica (6a) è possibile visualizzare facilmente la ricarica residua nella batteria come illustrato in figura B.



### Inserimento e rimozione del pacco batteria dall'elettrotensile



**Avvertenza!** Verificare che il pulsante di sicurezza sia attivato per evitare l'azionamento dell'interruttore mentre si estrae o si inserisce la batteria.

### Per installare il pacco batteria (Fig. C)

- Inserire il pacco batteria saldamente nell'utensile fino a quando non si sente uno scatto come in figura C. Assicurarsi che il pacco batteria sia completamente inserito e bloccato in posizione.

### Per rimuovere il pacco batteria (Fig. D)

- Premere il pulsante di rilascio della batteria (7) come indicato in Figura D ed estrarre la batteria dall'elettrotensile.

### Gancio per cintura (Accessorio opzionale) (Fig. E, F)



**Avvertenza!** Per ridurre il rischio di lesioni personali gravi, portare il pulsante avanti/indietro alla posizione di blocco o spegnere l'elettrotensile e scollegare il pacco batteria prima di eseguire qualsiasi regolazione o rimozione/installazione di dotazioni o accessori. Un avvio accidentale potrebbe provocare lesioni a persone.



**Avvertenza!** Per ridurre il rischio di gravi lesioni personali, utilizzare il gancio per cintura (10) ESCLUSIVAMENTE per appendere l'utensile a una cintura da lavoro. NON utilizzare il gancio per la cinghia per legare o fissare l'apparato a una persona o un oggetto durante l'uso. NON appendere il trapano o altri oggetti in posizione sopraelevata utilizzando il gancio per cintura.



**Avvertenza!** Per ridurre il rischio di lesioni personali gravi, accertarsi che la vite (11) che fissa il gancio per cintura sia serrata saldamente.

**Nota:** durante il montaggio o la sostituzione del gancio per cintura (10), utilizzare esclusivamente la vite (11) fornita in dotazione. Assicurarsi di serrare saldamente la vite. Il gancio per cintura (10) può essere fissato facendolo scorrere nelle fessure (12) su entrambi i lati dell'avvitatore utilizzando esclusivamente la vite (11) in dotazione, a seconda che l'utilizzatore sia mancino o destrorso. Se lo si desidera, è possibile rimuovere completamente il gancio dall'elettrotensile. Per spostare il gancio per cintura, svitare la vite (11) che lo tiene (10) in sede e riavvitare sul lato opposto.

Assicurarsi di serrare saldamente la vite (11).

**Nota:** sono disponibili ganci da parete e configurazioni di stoccaggio diversi.

Per maggiori informazioni visitare il nostro sito web [www.stanleytools.eu/3](http://www.stanleytools.eu/3).

### Mandrino autoserrante (Fig. G)



**Avvertenza!** Assicurarsi che il pacco batteria sia rimosso per evitare l'azionamento dell'utensile prima dell'installazione o rimozione degli accessori.

Per inserire una punta o un altro accessorio, procedere come descritto di seguito.

- Afferrare il mandrino (5) e ruotarlo in direzione antioraria, vista dal lato del mandrino.
- Infilare la punta o un altro accessorio (13) completamente nel mandrino e serrare saldamente ruotando il mandrino in senso orario come visto dall'estremità del mandrino.



**Avvertenza!** Non tentare di serrare o allentare le punte (o qualsiasi altro accessorio) afferrando la parte anteriore del mandrino e accendendo l'apparato.

Durante il cambio degli accessori, si potrebbero causare danni al mandrino e lesioni personali.

### Interruttore a grilletto e pulsante avanti/indietro (Fig H)

- Il trapano viene acceso e spento tirando e rilasciando l'interruttore a grilletto (1) indicato in figura H. Più è premuto il grilletto, maggiore è la velocità del trapano.
- Un pulsante di comando avanti/indietro (2) determina la direzione dell'elettrotensile e funge anche da pulsante di sicurezza.
- Per selezionare la rotazione avanti, rilasciare il grilletto di azionamento e premere il pulsante di controllo della rotazione avanti/indietro sul lato destro dell'utensile.
- Per selezionare la rotazione inversa, premere il pulsante di controllo avanti/indietro sul lato sinistro dell'utensile.
- La posizione centrale del pulsante di controllo blocca l'apparato in posizione spenta. Assicurarsi di avere rilasciato il grilletto prima di cambiare la posizione del pulsante di controllo.

### Regolazione del controllo della coppia (Fig I)

L'elettrotensile è dotato di collare di regolazione della coppia (3) per selezionare la modalità operativa e per tarare la coppia di avvitarmento delle viti. Le viti di grandi dimensioni e i pezzi in materiale più duro richiedono una coppia maggiore delle viti più piccole e dei pezzi in materiale più tenero.

- Per trapanare legno, metallo e plastica, regolare il collare (3) sul simbolo del trapano.
- Per l'avvitatura, regolarlo sulla taratura desiderata. Se non si sa ancora quale taratura usare, procedere come descritto di seguito:
  - ◆ Regolare il collare sulla taratura di coppia più bassa.
  - ◆ Serrare la prima vite.

- ◆ Se la frizione scatta prima di aver ottenuto il risultato desiderato, aumentare la taratura del collare e continuare ad avvitare la vite.
- ◆ Ripetere fino a ottenere la taratura corretta.
- ◆ Usare questa taratura per le viti rimanenti.

### Selettore a due intervalli (Fig J)

La funzione del selettore marce a due intervalli del trapano a batteria consente di cambiare marce per una maggiore versatilità.

- Per selezionare la velocità bassa, con coppia alta (posizione 1), spegnere l'elettrotensile e lasciare che si fermi. Far scorrere il selettore marce (4) indietro (lontano dal mandrino).
- Per selezionare la velocità alta, con coppia bassa (posizione 2), spegnere l'elettrotensile e lasciare che si fermi. Far scorrere il selettore marce verso il mandrino.

**Nota:** Non cambiare marce quando l'apparato è in funzione. In caso di difficoltà con il cambio delle marce, assicurarsi che il selettore marce a due intervalli sia completamente spinto in avanti o completamente spinto indietro.

### Avvitatura

- Quando si avvitano delle viti, il pulsante avanti/indietro deve essere spostato verso sinistra.
- Utilizzare indietro (pulsante premuto a destra) per rimuovere le viti.

**Nota:** quando si passa da avanti a indietro, o viceversa, rilasciare sempre prima il grilletto.

### Trapanatura

- Utilizzare solamente punte appuntite.
- Supportare e fissare il lavoro correttamente, come indicato nelle Istruzioni di sicurezza.
- Supportare e fissare il lavoro correttamente, come indicato nelle Istruzioni di sicurezza.
- Mettere in sicurezza e mantenere l'area di lavoro, come indicato nelle Istruzioni di sicurezza.
- Far funzionare il trapano molto lentamente, con una leggera pressione, fino a quando il foro è sufficientemente profondo da evitare la fuoriuscita della punta.
- Esercitare la pressione perpendicolarmente alla punta. Usare una pressione sufficiente a permettere alla punta di eseguire il foro, ma non così eccessiva da far spegnere il motore o da spostare la punta.
- Tenere il trapano saldamente con due mani, una mano sulla maniglia, e l'altra che tiene il fondo intorno alla zona batteria o la maniglia ausiliaria se in dotazione.
- **NON PREMERE VARIE VOLTE L'INTERRUTTORE DI ACCENSIONE A GRILLETTO DI UN TRAPANO ARRESTATO PER TENTARE DI RIAVVIARLO. IL TRAPANO POTREBBE SUBIRE DANNI.**
- Contenere al massimo la possibilità di arresto iniziale, riducendo la pressione e trapanando lentamente l'ultima porzione del foro.

- Tenere acceso il motore mentre si estrae la punta da un foro trapanato. In questo modo si riducono gli inceppamenti.
- Assicurarsi che l'interruttore accenda e spenga il trapano.

### Trapanatura del legno

I fori nel legno possono essere eseguiti con la medesima punta da trapano usata per il metallo o con punta a lancia. Queste punte devono essere affilate e devono essere estratte frequentemente per eliminare i trucioli dalle scanalature del trapano.

### Trapanatura del metallo

Utilizzare un lubrificante da taglio quando si forano metalli. Fanno eccezione la ghisa e l'ottone che vanno forati a secco. Gli oli da taglio che funzionano meglio di tutto sono quelli solforati o l'olio di lardo.

### Luce di lavoro a LED (fig. H)

Quando il trapano viene attivato tirando l'interruttore a grilletto (1), la luce di lavoro LED integrata (8) illumina automaticamente l'area di lavoro.

**Nota:** la luce di lavoro è intesa per la superficie immediata di lavoro e non deve essere usata come torcia per illuminazione.

### Ricerca guasti e risoluzione

| Problema  | Possibile causa   | Eventuale soluzione  |
|---|---|--|
| L'unità non parte.  | Il pacco batteria non è stato installato correttamente.<br><br>Pacco batteria non caricato.   | Controllare il montaggio del pacco batteria.<br><br>Controllare i requisiti di carica del pacco batteria   |
| L'unità parte immediatamente all'inserimento della batteria | L'interruttore è stato lasciato in posizione "on".  | L'interruttore deve essere spostato su "off" per impedire l'avvio immediato dell'utensile quando viene inserita la batteria.   |
| Il pacco batteria non si carica.                            | Il pacco batteria non è inserito nell'alimentatore.<br><br>Alimentatore non collegato a una presa di corrente.<br><br>Temperatura dell'aria circostante troppo calda o troppo fredda. | Inserire il pacco batteria nell'alimentatore fino a quando il LED si illumina.<br><br>Collegare l'alimentatore a una presa di corrente che funzioni.<br><br>Spostare il caricabatteria e il pacco batteria ad una temperatura dell'aria circostante al di sopra di 4,5 °C o al di sotto di +40,5 °C. |

| Problema                           | Possibile causa   | Eventuale soluzione  |
|------------------------------------|---|--|
| L'unità si spegne improvvisamente. | Il pacco batteria ha raggiunto il limite termico massimo.<br><br>Carica esaurita.<br>(Per massimizzare la durata della batteria il pacco batteria è progettato per spegnersi improvvisamente quando la carica è esaurita) | Lasciare che il pacco batteria si raffreddi.<br><br>Posizionare sul caricabatteria e consentire la ricarica. |

### Manutenzione

Questo elettrotensile STANLEY FATMAX è stato progettato per funzionare a lungo con una manutenzione minima. Per avere prestazioni sempre soddisfacenti occorre avere cura dell'elettrotensile e sottoporlo a pulizia periodica. Il caricabatterie non richiede alcuna manutenzione, fuorché una pulizia regolare.



**Avvertenza!** Prima di eseguire interventi di manutenzione sull'elettrotensile, estrarre la batteria. Scollegare l'alimentatore prima di pulirlo.

- Pulire regolarmente le prese di ventilazione dell'elettrotensile e dell'alimentatore con un pennello o con un panno morbido e asciutto.
- L'alloggiamento del motore deve essere pulito regolarmente con un panno umido.
- Non utilizzare materiali abrasivi o detergenti a base di solventi.

### Protezione ambientale



Raccolta differenziata. I prodotti e le batterie contrassegnati con questo simbolo non devono essere smaltiti insieme ai normali rifiuti domestici.

I prodotti e le batterie contengono materiali che possono essere recuperati e riciclati, riducendo la domanda di materie prime.

Riciclare i prodotti e le batterie in base alle normative locali pertinenti. Ulteriori informazioni sono disponibili all'indirizzo [www.2helpU.com](http://www.2helpU.com)

### Dati tecnici

|                  |                   | SFMCD700     |
|------------------|-------------------|--------------|
| Tensione         | V <sub>CC</sub>   | 18V          |
| Velocità a vuoto | Min <sup>-1</sup> | 0-350/0-1500 |
| Coppia max.      | Nm                | 50           |

|                              |    | SFMCD700 |
|------------------------------|----|----------|
| Capacità del mandrino        | mm | 13       |
| Capacità di trapanatura max. |    |          |
| Acciaio/legno/muratura       | mm | 13/35/13 |
| Peso                         | kg | 1,2      |

| Caricabatterie       |          | SFMCB11 | SFMCB12 | SFMCB14 |
|----------------------|----------|---------|---------|---------|
| Tensione in ingresso | $V_{AC}$ | 230     | 230     | 230     |
| Tensione erogata     | $V_{CC}$ | 18      | 18      | 18      |
| Corrente             | A        | 1,25    | 2       | 4       |

| Batteria |          | SFMCB201      | SFMCB202      | SFMCB204      | SFMCB206      |
|----------|----------|---------------|---------------|---------------|---------------|
| Tensione | $V_{CC}$ | 18            | 18            | 18            | 18            |
| Capacità | Ah       | 1,5           | 2,0           | 4,0           | 6,0           |
| Tipo     |          | Ioni di litio | Ioni di litio | Ioni di litio | Ioni di litio |

| Livello di pressione sonora misurato in conformità alla normativa EN62841: |                                      |
|--|--------------------------------------|
| Pressione acustica ( $L_{pA}$ )  | 70,0 dB (A), incertezza (K) 5 dB (A) |
| Potenza sonora ( $L_{WA}$ )  | 81,0 dB (A), incertezza (K) 5 dB (A) |

| Valori totali di emissione di vibrazioni (somma vettoriale triassiale) in conformità alla normativa EN62841: |  |
|--|--|
| Trapanatura nel metallo ( $a_{h,D}$ )  | 1,2 $m/s^2$ , incertezza (K) 1,5 $m/s^2$ |

## Dichiarazione di conformità CE

DIRETTIVA MACCHINE



SFMCD700 - Trapano

STANLEY Europe dichiara che i prodotti descritti al paragrafo

"Dati tecnici" sono conformi alle seguenti normative:

EN62841-1:2015, EN62841-2-1:2018+A11:2019.

Questi prodotti sono conformi alla Direttiva 2006/42/CE, 2014/30/UE e 2011/65/UE. Per ulteriori informazioni, contattare STANLEY Europe all'indirizzo seguente o vedere sul retro del manuale.

Per ulteriori informazioni, contattare STANLEY FATMAX al seguente indirizzo oppure consultare l'ultima di copertina del manuale.

Il firmatario è responsabile della compilazione del documento tecnico e rende questa dichiarazione per conto di STANLEY FATMAX.

*Patrick Diepenbach*

Patrick Diepenbach  
Direttore generale, Benelux  
Stanley Europe, Egide Walschaertsstraat14-18,  
2800 Mechelen, Belgio  
14/10/2021

## Garanzia

STANLEY FATMAX è sicura della qualità dei propri prodotti e offre ai consumatori una garanzia di 12 mesi dalla data di acquisto. Questa garanzia aggiuntiva non pregiudica in alcun modo i diritti del consumatore previsti dalla legge. La garanzia è valida sui territori degli stati membri dell'Unione Europea o dell'EFTA (Associazione europea di libero scambio).

Per attivare la garanzia, il reclamo deve essere effettuato in accordo con i Termini e Condizioni STANLEY FATMAX e sarà necessario presentare la prova di acquisto al venditore o all'agente di riparazione autorizzato. I Termini e Condizioni della garanzia STANLEY FATMAX di 1 anno e la sede dell'agente di riparazione autorizzato più vicino sono consultabili su Internet all'indirizzo [www.2helpU.com](http://www.2helpU.com), o contattando l'ufficio STANLEY FATMAX di zona all'indirizzo indicato in questo manuale.

Visitare il nostro sito [www.stanleytools.eu/3](http://www.stanleytools.eu/3) per registrare il nuovo prodotto STANLEY FATMAX e ricevere gli aggiornamenti sui nuovi prodotti e le offerte speciali.

## Bedoeld gebruik

Deze STANLEY FATMAX SFMCD700 boormachine/schroevendraaier is ontworpen voor het boren in hout, metaal en kunststof, maar kan ook als schroevendraaier worden gebruikt. Dit apparaat is bedoeld voor professionele en particuliere, niet-professionele gebruikers.

## Instructies voor de veiligheid

### Algemene veiligheidswaarschuwingen voor elektrisch gereedschap



**Waarschuwing! Lees alle veiligheidswaarschuwingen, instructies, illustraties en specificaties die bij dit elektrisch gereedschap zijn meegeleverd.** Het niet opvolgen van de hieronder vermelde waarschuwingen en instructies kan leiden tot een elektrische schok, brand en/of ernstig persoonlijk letsel.

**Bewaar alle waarschuwingen en instructies zodat u deze later ook kunt raadplegen.** De term "elektrisch gereedschap" in de hieronder vermelde waarschuwingen verwijst naar uw (met een snoer) op de netspanning aangesloten elektrische gereedschap of naar (draadloos) elektrisch gereedschap met een accu.

#### 1. Veiligheid op de werkplek

- Houd het werkgebied schoon en goed verlicht.** Op rommelige of donkere plekken kunnen gemakkelijk ongelukken gebeuren.
- Bedien elektrisch gereedschap niet in een explosieve omgeving, zoals in de nabijheid van ontvlambare vloeistoffen, gassen of stof.** Elektrisch gereedschap veroorzaakt vonken die het stof of de dampen kunnen doen ontbranden.
- Houd kinderen en omstanders op een afstand wanneer u elektrisch gereedschap bedient.** Als u wordt afgeleid, kan dat u de controle over het gereedschap doen verliezen.

#### 2. Elektrische veiligheid

- Stekkers van elektrisch gereedschap moeten in het stopcontact passen. Pas de stekker nooit op enigerlei wijze aan.**  
**Gebruik geen adapterstekkers met geaard elektrisch gereedschap.** Niet-aangepaste stekkers en passende contactdozen verminderen het risico van een elektrische schok.
- Vermijd lichamelijke contact met geaarde oppervlakken zoals buizen, radiatoren, fornuizen en koelkasten.** Er bestaat een verhoogd risico op een elektrische schok als uw lichaam geaard is.

- Stel elektrisch gereedschap niet bloot aan regen of natte omstandigheden.** Als er water elektrisch gereedschap binnendringt, verhoogt dit het risico van een elektrische schok.
- Behandel het netsnoer voorzichtig. Draag het elektrisch gereedschap nooit aan het snoer, trek het gereedschap nooit aan het snoer naar u toe, en trek de stekker nooit aan het snoer uit het stopcontact.** Houd het snoer uit de buurt van warmte, olie, scherpe randen of bewegende onderdelen. Beschadigde snoeren of snoeren die in de war zijn geraakt, verhogen het risico van een elektrische schok.
- Gebruik, wanneer u elektrisch gereedschap buitenshuis gebruikt, een verlengsnoer dat geschikt is voor gebruik buitenshuis.** Het gebruik van een verlengsnoer dat geschikt is voor werken buitenshuis, vermindert het risico van een elektrische schok.
- Als het werken met elektrisch gereedschap op een vochtige locatie onvermijdelijk is, zorg er dan voor dat de stroomvoorziening beveiligd is met een aardlekschakelaar.** Het gebruik van een aardlekschakelaar vermindert het risico van een elektrische schok.

#### 3. Persoonlijke veiligheid

- Blijf alert, kijk wat u doet en gebruik uw gezond verstand wanneer u met elektrisch gereedschap werkt.**  
**Gebruik het gereedschap niet wanneer u vermoeid bent of onder invloed van drugs, alcohol of medicatie.** Een moment van onoplettendheid tijdens het bedienen van elektrische gereedschap kan leiden tot ernstig persoonlijk letsel.
- Draag persoonlijke beschermende kleding. Draag altijd oogbescherming.** Beschermende uitrusting, zoals een stofmasker, antislip veiligheidsschoenen, een helm, of gehoorbescherming, gebruikt in de juiste omstandigheden, zal het risico van persoonlijk letsel verminderen.
- Zorg ervoor dat het gereedschap niet per ongeluk kan worden gestart. Controleer dat de schakelaar in de stand Uit (Off) staat voor u het gereedschap aansluit op de stroombron en/of de accu plaatst en voor u het gereedschap oppakt en draagt.** Het dragen van elektrisch gereedschap met uw vinger op de schakelaar of het van stroom voorzien van elektrisch gereedschap waarvan de schakelaar in de stand Aan staat, kan gemakkelijk leiden tot ongelukken.
- Verwijder alle stelsleutels of moersleutels voordat u het elektrisch gereedschap inschakelt.** Een steeksleutel of stelsleutel die in een ronddraaiend onderdeel van het elektrische gereedschap is achtergebleven, kan persoonlijk letsel veroorzaken.



- e. **Reik niet buiten uw macht. Blijf te allen tijde stevig in evenwicht en met beide voeten op de grond staan.** Dit zorgt voor betere controle van het elektrisch gereedschap in onverwachte situaties.
- f. **Draag de juiste kleding. Draag geen loszittende kleding of sieraden. Houd uw haar, kleding en handschoenen uit de buurt van bewegende onderdelen.** Loszittende kleding, sieraden of lang haar kunnen door bewegende delen worden gegrepen.
- g. **Als er in apparaten wordt voorzien voor het aansluiten van apparatuur voor stofafzuiging of het opvangen van stof, zorg er dan voor dat deze goed wordt aangesloten en gebruikt.** Het gebruik van stofafzuiging kan aan stof gerelateerde gevaren verminderen.
- h. **Denk niet dat u, doordat u het gereedschap veel hebt gebruikt, het allemaal wel weet en dat u de veiligheidsbeginselen kunt negeren.** Een onvoorzichtige actie kan in een fractie van een seconde ernstig letsel tot gevolg hebben.
4. **Gebruik en verzorging van elektrisch gereedschap**
- a. **Forceer het elektrisch gereedschap niet. Gebruik het juiste elektrisch gereedschap voor uw toepassing.** Het juiste elektrisch gereedschap voert de werkzaamheden waarvoor het is ontworpen, beter en veiliger uit.
- b. **Gebruik het gereedschap niet als u het niet met de schakelaar in en uit kunt schakelen.** Ieder gereedschap dat niet met de schakelaar kan worden bediend, is gevaarlijk en moet worden gerepareerd.
- c. **Haal de stekker uit het stopcontact en/of neem de accu, als deze uitneembaar is, uit het gereedschap voor u aanpassingen uitvoert, accessoires verwisselt, of het elektrisch gereedschap opbergt.** Dergelijke preventieve veiligheidsmaatregelen verminderen het risico dat het elektrisch gereedschap per ongeluk wordt gestart.
- d. **Bewaar gereedschap dat niet wordt gebruikt, buiten het bereik van kinderen en laat niet toe dat personen die onbekend zijn met het elektrisch gereedschap of deze instructies het gereedschap bedienen.** Elektrisch gereedschap zijn gevaarlijk in handen van ongetrainde gebruikers.
- e. **Onderhoud elektrisch gereedschap en accessoires goed. Controleer op verkeerde uitlijning en het aanlopen van bewegende onderdelen, breuk van onderdelen en andere omstandigheden die de werking van het elektrisch gereedschap nadelig kunnen beïnvloeden. Laat het gereedschap voor gebruik repareren, als het is beschadigd.** Veel ongelukken worden veroorzaakt doordat elektrisch gereedschap niet goed is onderhouden.
- f. **Houd gereedschap scherp en schoon.** Goed onderhouden gereedschap met scherpe snijranden loopt minder snel vast en is gemakkelijker onder controle te houden.
- g. **Gebruik elektrisch gereedschap, accessoires en dergelijke volgens deze aanwijzingen. Houd daarbij rekening met de arbeidsomstandigheden en de uit te voeren werkzaamheden.**  
Gebruik van het elektrische gereedschap voor werkzaamheden die anders zijn dan het bedoelde gebruik, kunnen leiden tot een gevaarlijke situatie.
- h. **Houd de handgrepen en oppervlakken die u beet pakt, droog, schoon en vrij van olie en vet.** Door gladde handgrepen en oppervlakken die u beet pakt, kan veilig werken en bedienen van het gereedschap in onverwachte situaties onmogelijk worden.
5. **Gebruik en onderhoud van accugereedschap**
- a. **Laad de accu alleen op met de lader die wordt opgegeven door de fabrikant.** Een lader die geschikt is voor het ene type accu, kan een risico van brand doen ontstaan bij gebruik met een andere accu.
- b. **Gebruik elektrisch gereedschap alleen in combinatie met specifiek vermelde accu's.** Het gebruik van andere accu's kan gevaar voor letsel en brand opleveren.
- c. **Houd accu's die niet worden gebruikt uit de buurt van andere metalen voorwerpen, zoals paperclips, munten, spijkers, schroeven of andere kleine metalen voorwerpen die een verbinding van de ene pool naar de andere tot stand kunnen brengen.** Als kortsluiting tussen de polen van de accu's wordt gemaakt, kunnen brandwonden of brand worden veroorzaakt.
- d. **Wanneer de accu niet goed wordt behandeld, kan er vloeistof uit de accu spuiten, vermijd contact met deze vloeistof. Als er per ongeluk contact ontstaat, spoel dan met water. Als de vloeistof in de ogen komt, roep dan tevens medische hulp in.** Vloeistof die uit de batterij komt, kan irritatie en brandwonden veroorzaken.
- e. **Werk niet met een accu of met gereedschap dat beschadigd is of waaraan wijzigingen zijn aangebracht.** Beschadigde of gemodificeerde accu's kunnen zich onvoorspelbaar gedragen en dat kan brand, explosie of een risico van letsel tot gevolg hebben.
- f. **Stel een accu of gereedschap niet bloot aan open vuur of uitzonderlijk hoge temperatuur.** Brand of een temperatuur boven de 130 °C kunnen de accu doen exploderen.
- g. **Volg alle instructies voor het opladen en laad de accu of het gereedschap niet op buiten het temperatuurbereik dat in de instructies wordt opgegeven.** Door op onjuiste wijze opladen of opladen bij een temperatuur buiten het opgegeven bereik kan de accu beschadigd raken en het risico van brand toenemen.

**6. Service**

- a. Zorg dat u gereedschap wordt onderhouden door een erkende reparateur die uitsluitend identieke vervangende onderdelen gebruikt. Dit garandeert dat de veiligheid van het gereedschap behouden blijft.
- b. Probeer nooit beschadigde accu's te repareren. De reparaties aan accu's mogen alleen worden uitgevoerd door de fabrikant of door geautoriseerde servicecentra.

**Aanvullende veiligheidswaarschuwingen voor schroevendraaiers**

- Houd het gereedschap alleen vast aan geïsoleerde oppervlakken als u een handeling uitvoert waarbij het zaaggereedschap in contact kan komen met verborgen bedrading. Accessoires van gereedschap die in contact komen met bedrading die onder stroom staat, kunnen metalen onderdelen van het gereedschap onder stroom zetten en de gebruiker een elektrische schok geven.
- Draag gehoorbeschermers bij gebruik als slagboor. Blootstelling aan lawaai kan gehoorverlies veroorzaken.
- Gebruik de hulphandgrepen die bij het gereedschap worden geleverd. Verlies van controle kan leiden tot persoonlijk letsel.
- Houd het gereedschap goed vast voor u begint. Dit gereedschap heeft een hoog vermogen, als u het gereedschap tijdens gebruik niet goed vasthoudt kunt u de controle over het gereedschap verliezen wat kan leiden tot persoonlijk letsel.

**Veiligheidsinstructie bij het gebruik van lange boren**

- Werk nooit op een hogere snelheid dan de maximale nominale snelheid van de boor. Bij hogere snelheden zal de boor waarschijnlijk buigen als de boor vrij kan draaien zonder contact te maken met het werkstuk, en dat kan leiden tot persoonlijk letsel.
- Begin altijd te boren op een lage snelheid en met de tip van de boor in contact met het werkstuk. Bij hogere snelheden zal de boor waarschijnlijk buigen als de boor vrij kan draaien zonder contact te maken met het werkstuk, en dat kan leiden tot persoonlijk letsel.
- Oefen alleen in een directe lijn druk uit op de boor en oefen niet uitzonderlijk veel druk uit. Boren kunnen buigen wat kan leiden tot breuk of verlies van controle, wat persoonlijk letsel tot gevolg kan hebben.
- Draag gehoorbeschermers bij gebruik als slagboor. Blootstelling aan lawaai kan gehoorverlies veroorzaken.

- Gebruik de hulphandgrepen die bij het gereedschap worden geleverd. Verlies van controle kan leiden tot persoonlijk letsel.
- Zet het werkstuk met klemmen of op een andere praktische manier vast en ondersteun het op een stabiele ondergrond. Wanneer u het werkstuk vasthoudt met de hand of het tegen uw lichaam gedrukt houdt, is het instabiel en kunt u de controle verliezen.
- Controleer waar zich bedrading en leidingen bevinden voordat u bevestigingsmateriaal in muren, vloeren of plafonds boort.
- Het bedoeld gebruik wordt beschreven in deze installatiehandleiding.
- Het gebruik van andere accessoires of hulpstukken of de uitvoering van andere werkzaamheden met dit gereedschap dan in deze installatiehandleiding worden aanbevolen, kan tot persoonlijk letsel en/of materiële schade leiden.

**Veiligheid van anderen**

- Dit gereedschap mag niet worden gebruikt door personen (waaronder kinderen) die lichamelijk of geestelijk mindervalide zijn of die geen ervaring met of kennis van dit gereedschap hebben, tenzij ze onder toezicht staan of instructies krijgen wat betreft het gebruik van het gereedschap van een persoon die verantwoordelijk is voor hun veiligheid.
- Houd toezicht op kinderen zodat zij niet met het apparaat kunnen spelen.

**Overige risico's**

Er kunnen zich nog meer risicovolle situaties voordoen wanneer u het gereedschap gebruikt, die mogelijk niet in de bijgesloten veiligheidswaarschuwingen worden vermeld. Deze risico's kunnen zich voordoen bij verkeerd of langdurig gebruik, enz. Ook als de geldende veiligheidsvoorschriften worden gevolgd en de juiste veiligheidsvoorzieningen worden getroffen, kunnen bepaalde risico's niet worden uitgesloten. Dit zijn onder meer:

- Verwondingen die worden veroorzaakt door het aanraken van draaiende of bewegende onderdelen.
- Verwondingen die worden veroorzaakt bij het vervangen van onderdelen, bladen of accessoires.
- Verwondingen die worden veroorzaakt door langdurig gebruik van het gereedschap. Las vooral regelmatig pauzes in wanneer u gereedschap langdurig achtereen gebruikt.
- Gehoorbeschadiging.
- Gezondheidsrisico's als gevolg van het inademen van stof dat door gebruik van het gereedschap wordt veroorzaakt (bijvoorbeeld tijdens het werken met hout, vooral eiken, beuken en MDF).

## Trilling

De in de technische gegevens en de Conformiteitsverklaring aangegeven waarden voor trillingsemissie, zijn gemeten volgens een standaardtestmethode die door EN62841 wordt verstrekt. Hiermee kan het ene gereedschap met het andere worden vergeleken.

De verklaarde trillingsemissiewaarde kan ook worden gebruikt voor een voorlopige beoordeling van blootstelling.

**Waarschuwing!** De trillingsemissiewaarde tijdens werkelijk gebruik van het elektrisch gereedschap kan verschillen van de verklaarde waarde, afhankelijk van de manieren waarop het gereedschap wordt gebruikt. De trillingswaarde kan toenemen tot boven het vermelde niveau.

Bij het beoordelen van blootstelling aan trilling ter vaststelling van de veiligheidsmaatregelen die worden vereist volgens 2002/44/EG ter bescherming van personen die in hun werk regelmatig elektrisch gereedschap gebruiken, moet een schatting van de blootstelling aan trilling de feitelijke gebruiksomstandigheden en de manier waarop het gereedschap wordt gebruikt in overweging nemen, en ook rekening houden met alle onderdelen van de bedrijfscyclus zoals het aantal malen dat het gereedschap wordt uitgeschakeld en dat het gereedschap stationair draait, in aanvulling op de ingeschakelde tijd.

## Etiketten op het gereedschap

De volgende pictogrammen worden samen met de datumcode op het gereedschap getoond:



**Waarschuwing!** Beperk het risico van letsel, de gebruiker moet de instructiehandleiding lezen.



Draag gehoorbeschermers bij het werken met slagboomachines. Blootstelling aan lawaai kan gehoorverlies veroorzaken.



Kijk niet naar de werkende lamp

## Aanvullende veiligheidsinstructies voor accu's en laders

### Accu's

- Probeer nooit de accu om welke reden dan ook open te maken.
- Stel de batterij niet bloot aan water.
- Bewaar deze niet op locaties met temperaturen van meer dan 40 °C.
- Laad de accu's alleen op bij omgevingstemperaturen tussen 10 en 40 °C.
- Gebruik alleen de lader die bij het apparaat is geleverd.
- Gooi lege accu's weg volgens de instructies in het gedeelte "Milieu".

## Laders

- Gebruik de lader van STANLEY FATMAX alleen voor de accu's in het apparaat waarbij de lader is bijgeleverd. Andere accu's kunnen exploderen met lichamelijk letsel en schade aan eigendommen als gevolg.
- Niet-laadbare accu's mogen nooit worden opgeladen.
- Een defect snoer moet direct worden vervangen.
- Stel de lader niet bloot aan water.
- Open de lader niet.
- Prik nooit met een scherp voorwerp in de lader.



De lader is uitsluitend bestemd voor gebruik binnenshuis.



Lees voor gebruik deze gebruikershandleiding.



Laad beschadigde accu's niet op.

## Elektrische veiligheid



De lader is dubbel geïsoleerd, zodat een aardeaansluiting niet nodig is. Controleer altijd dat de netspanning overeenkomt met de waarde op het typeplaatje. Probeer nooit de lader door een normale netstekker te vervangen.

- Als het netsnoer is beschadigd, moet dit worden vervangen door de fabrikant of een STANLEY FATMAX-servicecentrum zodat gevaarlijke situaties worden voorkomen.



**Waarschuwing!** Probeer nooit de lader door een normale netstekker te vervangen.

## Functies

Het apparaat kan de volgende onderdelen bevatten.

1. Aan/uit-schakelaar
2. Vooruit/Achteruit-knop
3. Stelring voor aanpassing draaimoment
4. Selectieknop twee snelheden
5. Sleutellose boorkop
6. Accu
7. Ontgrendelingsknop accu
8. LED-werklicht

## Gebruik



**Waarschuwing!** Laat het gereedschap op z'n eigen snelheid werken. Overbelast het niet.

## De accu opladen (Afb. A)

De accu moet vóór het eerste gebruik worden opgeladen en ook zodra deze niet meer voldoende vermogen levert voor taken die eerst gemakkelijk konden worden uitgevoerd. Tijdens het opladen kan de accu warm worden. Dit is normaal en duidt niet op een probleem.



**Waarschuwing!** Laad de batterij niet op bij een omgevingstemperatuur van lager dan 10 °C of hoger dan 40 °C. De aanbevolen laadtemperatuur ligt op ongev. 24 °C.

**Opmerking:** De lader functioneert niet als de temperatuur van de accu lager is dan ongeveer 10 °C of hoger dan 40 °C.

**Laat de accu in dat geval in de lader zitten. De lader wordt automatisch ingeschakeld wanneer de accu de juiste temperatuur heeft.**

**Opmerking:** U kunt maximale prestaties en levensduur van lithium-ion-accu's garanderen door de accu's volledig op te laden voordat u ze voor het eerst in gebruik neemt.

- Steek de lader (9) in een geschikt stopcontact voordat u de accu (6) plaatst.
- Het groene laadlampje (9a) zal ononderbroken knipperen ten teken dat de laadprocedure is begonnen.
- Een volledig opgeladen accu wordt aangegeven door het groene lampje (9a) dat constant AAN blijft. De accu (6) is volledig opgeladen en kan worden gebruikt of kan in de acculader blijven zitten.
- Lege accu's moet u binnen 1 week opladen. Als u accu's leeg bewaart, loopt de levensduur van de accu's aanzienlijk terug.

**Acculader LED-standen**

|  |  |  |
|--|--|--|
|  | <b>Bezig met opladen:</b><br>Groene LED knippert                                     |  |
|  | <b>Geheel opgeladen:</b><br>Groene LED blijft branden                                |  |
|  | <b>Hete/koude accu vertraging:</b><br>Groene LED knippert<br>Rode LED blijft branden |  |

**Opmerking:** De geschikte lader(s) laden niet een kapotte accu op. Gaat de laadindicator niet branden, dan is dat een teken dat de accu kapot is.

**Opmerking:** Dit kan ook betekenen dat er iets mis is met de lader. Als de lader laat zien dat er een probleem is, laat de lader en de accu dan testen door een geautoriseerd servicecentrum.

**De accu in de lader laten zitten**

U kunt de accu gedurende onbepaalde tijd in de lader laten zitten terwijl het oplaadlampje brandt. De lader houdt de accu volledig opgeladen.

**Hot/Cold Pack Delay (Vertraging Hete/Koude Accu)**

Wanneer de lader detecteert dat de accu te koud of te warm is, start de lader automatisch een vertraging hete/koude accu, de groene LED (9a) knippert, terwijl de rode LED (9b) aan blijft, het laadproces wordt uitgesteld tot de accu de juiste temperatuur heeft bereikt. De lader schakelt dan automatisch over op de accu-laadstand. Deze functie waarborgt een maximale levensduur van de accu.

**Laadniveau-indicator (Afb. B)**

Deze accu is voorzien van een laadniveau-indicator, zodat u snel de laadstatus van de accu kunt zien, zoals afgebeeld in afbeelding B. Door op de laadniveau-knop (6a) te drukken kunt u eenvoudig de resterende lading van de accu zien, zoals afgebeeld in afbeelding B.



**De accu in het gereedschap plaatsen en eruit nemen**



**Waarschuwing!** Controleer dat de knop voor vergrendeling in de Uit-stand is ingeschakeld zodat de tacker niet kan worden ingeschakeld, voordat u de accu uitneemt of plaatst.

**De accu plaatsen (Afb. C)**

- Plaats de accu in het gereedschap tot u een klik hoort, zoals wordt getoond in Afbeelding C. Controleer dat de accu goed op z'n plaats zit en volledig is vergrendeld.

**De accu uitnemen (Afb. D)**

- Druk op de accuvrijgaveknop (7), zoals in afbeelding D wordt getoond, en trek de accu uit het gereedschap.

**Riemhaak (Als optie verkrijgbaar) (Afb. E, F)**



**Waarschuwing!** Voorkom het risico van ernstig persoonlijk letsel: plaats de vooruit/achteruit-knop in de vergrendel/uit-positie of schakel het gereedschap uit en haal de accu eruit voordat u aanpassingen aanbrengt of hulpstukken of accessoires verwijdt/plaatst. Wanneer het gereedschap per ongeluk wordt gestart, kan dat leiden tot letsel.



**Waarschuwing!** Beperk het risico van ernstig persoonlijk letsel, gebruik de riemhaak (10) van het gereedschap UITSLUITEND om het gereedschap aan een riem te hangen. Gebruik de riemhaak NIET om het gereedschap vast te zetten of tijdens het gebruik aan een persoon of voorwerp vast te maken. Hang het gereedschap NIET boven uw hoofd en hang geen voorwerpen op aan de riemhaak.



**Waarschuwing!** Beperk het risico van ernstig persoonlijk letsel, let erop dat de schroef (11) waarmee de riemhaak vastzit, goed is bevestigd.

**Opmerking:** Gebruik voor het bevestigen of weer plaatsen van de riemhaak (10) alleen de schroef (11) die is bijgeleverd. Let erop dat de schroef stevig is vastgedraaid.

De riemhaak (10) kan worden bevestigd door deze in de sleuven te schuiven (12) aan beide zijden van het gereedschap met gebruik van de bijgeleverde schroef (11), voor zowel links- als rechtshandig gebruik. Als u de haak niet wilt gebruiken, kunt u deze van het gereedschap nemen. U kunt de riemhaak verplaatsen door de schroef (11) die de riemhaak (10) op z'n plaats houdt, te verwijderen en aan andere zijde weer te monteren.

Let erop dat u de schroef (11) stevig vastdraait.

**Opmerking:** Er zijn verschillende trackwall-haken en -opbergssystemen leverbaar.

Ga naar onze website [www.stanleytools.eu/3](http://www.stanleytools.eu/3) voor meer informatie.

### Sleutellose boorkop (Afb. G)



**Waarschuwing!** Controleer, voordat u accessoires plaatst of losneemt, dat de accu is uitgenomen, zodat het gereedschap niet per ongeluk kan worden ingeschakeld.

Een boortje of een ander accessoire inzetten:

- Houd de boorkop (5) vast en draai deze linksom, vanaf het uiteinde van de boorkop gezien.
- Plaats het boortje of het andere accessoire (13) geheel in de boorkop en zet het stevig vast door de boorkop rechtsom te draaien (gezien vanuit de boorkop).



**Waarschuwing!** Probeer niet boren (of andere accessoires) vast te zetten of los te maken door het voorste gedeelte van de boorkop vast te houden en het gereedschap in te schakelen.

Wanneer u accessoires op deze manier vervangt, kan de spankop beschadigd raken en kunt u zich bezeren.

### Aan/Uit-schakelaar & Vooruit/Achteruit-knop (Afb H)

- U schakelt de boormachine IN en UIT door de aan/uit-schakelaar (1), die in afbeelding H wordt getoond, in te trekken en los te laten. Hoe verder de schakelaar wordt ingedrukt, des te hoger is de snelheid van de boormachine.
- Met de vooruit/achteruit-knop (2) bepaalt u de draairichting van het gereedschap. Deze knop dient ook als knop voor vergrendeling in de Uit-stand.
- U selecteert de draairichting vooruit door de Aan/Uit-schakelaar los te laten en de vooruit/achteruit-regelknop aan de rechterzijde van het gereedschap in te drukken.
- U selecteert de draairichting achteruit door de regelknop Vooruit/Achteruit aan de linkerzijde van het gereedschap in te drukken.

- De middelste stand van de regelknop vergrendelt het gereedschap in de Uit-stand. Wanneer u de stand van de regelknop wijzigt, is het belangrijk dat u de Aan/Uit-schakelaar niet indrukt.

### De torsie instellen (Afb I)

Dit gereedschap is voorzien van een stelling (3) voor het draaimoment waarmee u de gebruiksstand kunt selecteren en de draaimoment voor het indraaien van schroeven kunt instellen. Grote schroeven en harde werkstukmaterialen vereisen een hogere draaimoment-instelling dan kleine schroeven en zachte werkstukmaterialen.

- Zet, als u in hout, metaal of kunststof wilt boren, de stelling (3) het symbool voor de boorstand.
- Als u schroeven wilt draaien, stelt u de stelling op de gewenste instelling in. Ga als volgt te werk als u niet weet wat de juiste instelling is:
  - ◆ Stel de stelling in op de laagste torsie-instelling.
  - ◆ Draai de eerste schroef aan.
  - ◆ Als de koppeling ratelt voordat het gewenste resultaat is bereikt, verhoogt u de instelling van de stelling en gaat u door met het aandraaien van de schroef.
  - ◆ Herhaal dit totdat u de juiste instelling bereikt.
  - ◆ Gebruik deze instelling voor de resterende schroeven.

### Dubbele versnelling schakelaar (Afb J)

Met de dubbele versnelling van uw boormachine kunt een andere versnelling kiezen en dat levert meer toepassingsmogelijkheden op.

- Selecteer de lage snelheid, hoge torsie instelling (positie 1), door de machine uit te schakelen en volledig tot stilstand te laten komen. Schuif de knop voor snelheidswissel (4) naar achteren (weg van de boorkop).
- Schakel voor de hoge snelheid, voor de instelling voor lage torsie (stand 2), het gereedschap uit en laat u het tot stilstand komen. Schuif de knop voor snelheidswissel weer naar voren (naar de boorkop toe).

**Opmerking:** Wissel niet van snelheid wanneer het gereedschap draait. Als het wisselen van snelheid niet gemakkelijk verloopt, is het belangrijk dat u controleert dat de knop voor de snelheidswissel geheel naar voren of geheel naar achteren is geduwd.

### Schroeven draaien

- Als u schroeven wilt indraaien, moet u de knop voor vooruit/achteruit naar links duwen.
- Gebruik de achterwaartse draairichting (knop naar rechts geduwd) als u schroeven wilt uitdraaien.

**Opmerking:** Wanneer u wisselt van vooruit naar achteruit, of vice versa, moet u altijd eerst de aan/uit-schakelaar loslaten.

### Boren

- Gebruik alleen scherpe boortjes.
- Ondersteun het werkstuk en zet het goed vast, volgens de aanwijzingen in Instructies voor de veiligheid.

- Gebruik geschikte en vereiste veiligheidsapparatuur volgens de aanwijzingen in Instructies voor de veiligheid.
- Maak het werkgebied veilig en onderhoud het volgens de aanwijzingen in Instructies voor de veiligheid.
- Laat de boormachine langzaam werken, oefen lichte druk uit tot het gat voldoende diep is en het boortje niet meer kan weglipen.
- Oefen druk uit in een rechte lijn met de boor. Duw hard genoeg om de boor te laten boren, maar niet zo hard dat de motor blijft steken of dat de boor opzij beweegt.
- Houd de boor stevig met twee handen vast, één hand op de handgreep en de andere aan de onderzijde om de accu of om de extra handgreep, als deze is geleverd, geklemd.
- **SCHAKEL EEN VASTGELOPEN BOORMACHINE NIET IN EN UIT IN EEN POGING DE MACHINE WEER OP GANG TE BRENGEN. HIERDOOR KAN DE BOORMACHINE BESCHADIGD RAKEN.**
- Verklein de kans op vastlopen in het laatste gedeelte van het boren door dan de druk te verminderen en langzaam te boren.
- Laat de motor draaien terwijl u de boor uit het geboorde gat trekt. Hierdoor verkleint u de kans op blokkeren.
- Controleer dat de Aan/Uit-schakelaar goed werkt.

**In hout boren**

Gaten in hout kunt u met dezelfde spiraalboren maken die u ook voor metaal gebruikt of met speciale houtboren. Deze boren moeten scherp zijn en moeten tijdens het boren regelmatig uit het gat worden getrokken zodat spaanders uit de groeven van de boor kunnen ontsnappen.

**In metaal boren**

Gebruik een snijvloeistof wanneer u in metaal boort. De uitzonderingen zijn gietijzer en messing, deze moeten droog worden geboord. De snijolie die het beste werkt, is gezwavelde snijolie.

**LED-werklicht (Afb H)**

Wanneer u de boormachine inschakelt door de aan/uit-schakelaar (1) in te trekken, verlicht het geïntegreerde LED-werklicht (8) automatisch het werkgebied.

**Opmerking:** Het werklicht is bedoeld voor het verlichten van het werkoppervlak in de onmiddellijke nabijheid en het is niet de bedoeling dat u het licht gebruikt als zaklantaarn.

**Problemen oplossen**

| Probleem                                    | Mogelijke oorzaak   | Mogelijke oplossing  |
|---|---|--|
| Unit start niet.                            | De accu is niet juist geïnstalleerd.<br><br>De accu is niet opgeladen.  | Controleer de manier waarop de accu is geïnstalleerd.<br><br>Controleer de laadvereisten voor de accu  |
| Het gereedschap start zodra u de accu inzet | De schakelaar is in de stand 'ON' blijven staan.  | De schakelaar moet in de stand 'OFF' worden gezet, zodat het gereedschap niet onmiddellijk kan starten wanneer de accu wordt ingezet.  |
| De accu kan niet worden opgeladen.          | De accu is niet goed in de lader gezet.<br><br>De stekker van de lader zit niet in het stopcontact.<br><br>De luchttemperatuur van de omgeving is te hoog of te laag.                                 | Plaats de accu in de lader, zodat het indicatielampje voor het laden rood gaat branden.<br><br>Steek de stekker van de lader in een werkend stopcontact.<br><br>Verplaats de lader en de accu naar een locatie waar de luchttemperatuur hoger is dan 4,5 °C en lager is dan 40,5 °C. |
| Gereedschap werkt plotseling niet meer.     | Accu heeft de maximale temperatuur bereikt.<br><br>Accu is leeg. (De accu is zo ontworpen dat hij zichzelf plotseling uitschakelt wanneer hij bijna leeg is. Dit verlengt de levensduur van de accu.) | Laat de accu afkoelen.<br><br>Plaats de accu op de lader en laad de accu op.   |

**Onderhoud**

Dit STANLEY FATMAX gereedschap is ontworpen om gedurende lange tijd te functioneren met een minimum aan onderhoud. Het continu naar tevredenheid functioneren hangt af van de juiste zorg voor het gereedschap en regelmatig schoonmaken.

Ander onderhoud dan een regelmatig schoonmaakbeurt vraagt uw lader niet.



**Waarschuwing!** Neem, voor u onderhoud aan het gereedschap uitvoert, de accu uit het gereedschap.

Trek de stekker van de lader uit het stopcontact voor de lader gaat schoonmaken.

- Reinig regelmatig de ventilatieopeningen van het gereedschap en de lader met een zachte borstel of droge doek.
- Reinig de behuizing van de motor regelmatig met een vochtige doek.
- Gebruik geen schuurmiddelen of schoonmaakmiddelen die op een oplosmiddel zijn gebaseerd.



## Bescherming van het milieu



Gescheiden afvalinzameling. Producten en accu's die zijn voorzien van dit symbool mogen niet bij het normale huishoudafval worden weggegooid.

Producten en accu's bevatten materialen die kunnen worden herwonnen en gerecycled waardoor de vraag naar grondstoffen afneemt.

Recycle elektrische producten en accu's volgens de ter plaatse geldende voorschriften. Nadere informatie is beschikbaar op [www.2helpU.com](http://www.2helpU.com)

## Technische gegevens

|                        |                    | SFMC700      |
|------------------------|--------------------|--------------|
| Spanning               | $V_{DC}$           | 18V          |
| Snelheid onbelast      | Min. <sup>-1</sup> | 0-350/0-1500 |
| Max. draaimoment       | Nm                 | 50           |
| Capaciteit boorkop     | mm                 | 13           |
| Max. boorvermogen      |                    |              |
| Metaal/hout/metselwerk | mm                 | 13/35/13     |
| Gewicht                | kg                 | 1,2          |

| Lader            |          | SFMCB11 | SFMCB12 | SFMCB14 |
|------------------|----------|---------|---------|---------|
| Ingangsspanning  | $V_{AC}$ | 230     | 230     | 230     |
| Uitgangsspanning | $V_{DC}$ | 18      | 18      | 18      |
| Laadstroom       | A        | 1,25    | 2       | 4       |

| Accu       |          | SFMCB201 | SFMCB202 | SFMCB204 | SFMCB206 |
|------------|----------|----------|----------|----------|----------|
| Spanning   | $V_{DC}$ | 18       | 18       | 18       | 18       |
| Capaciteit | Ah       | 1,5      | 2,0      | 4,0      | 6,0      |
| Type       |          | Li-Ion   | Li-Ion   | Li-Ion   | Li-Ion   |

### Geluidsdruk niveau volgens EN62841:

Geluidsdruk ( $L_{pA}$ ) 70,0 dB(A), onzekerheid (K) 5 dB(A)

Geluidsdruk ( $L_{pA}$ ) 81,0 dB(A), onzekerheid (K) 5 dB(A)

### Totale trillingswaarden (som triaxvector) volgens EN62841:

In metaal boren ( $a_{h,D}$ ) 1,2  $m/s^2$ , onzekerheid (K) 1,5  $m/s^2$

## EG-verklaring van overeenstemming

RICHTLIJN VOOR MACHINES



SFMC700 - Boormachine

STANLEY Europe verklaart dat de producten die worden beschreven onder "technische gegevens" voldoen aan: EN62841-1:2015, EN62841-2-1:2018+A11:2019.

Deze producten voldoen ook aan richtlijn 2006/42/EC, 2014/30/EU en 2011/65/EU. Neem voor meer informatie contact op met STANLEY Europe op het volgende adres of kijk op de achterzijde van de handleiding.

Neem voor meer informatie contact op met STANLEY FATMAX op het volgende adres, of kijk op de achterkant van deze handleiding.

De ondergetekende is verantwoordelijk voor de samenstelling van het technische bestand en legt deze verklaring af namens STANLEY FATMAX.

*Patrick Diepenbach*

Patrick Diepenbach  
General Manager, Benelux

Stanley Europe, Egide Walschaertsstraat 14-18,  
2800 Mechelen, België.  
14/10/2021

## Garantie

STANLEY FATMAX heeft vertrouwen in zijn producten en biedt consumenten een garantie van 12 maanden vanaf de datum van aankoop. Deze garantie is een aanvulling op uw wettelijke rechten en maakt op geen enkele wijze inbreuk daarop. De garantie is geldig binnen het grondgebied van de Lidstaten van de Europese Unie en de Europese Vrijhandelszone.

Voor een garantie-aanspraak moet uw aanspraak in overeenstemming zijn met de STANLEY FATMAX garantievoorwaarden en moet u een bewijs van aankoop overleggen aan de verkoper of een geautoriseerde reparatiemonteur. De garantievoorwaarden van de STANLEY FATMAX 1-jarige garantie en het adres van een geautoriseerde reparatiemonteur bij u in de buurt, kunt u vinden op [www.2helpU.com](http://www.2helpU.com), of door contact op te nemen met het STANLEY FATMAX-kantoor bij u in de buurt, het adres staat in deze handleiding vermeld.

Bezoek onze website [www.stanleytools.eu/3](http://www.stanleytools.eu/3) om uw nieuwe STANLEY FATMAX product te registreren, zodat u updates over nieuwe producten en speciale aanbiedingen kunt ontvangen.



## Uso previsto

El taladro/atornillador SFMCD700 de STANLEY FATMAX ha sido diseñado para atornillar y taladrar madera, metal y plásticos. Este aparato está pensado para usuarios profesionales y para usuarios no profesionales privados.

## Instrucciones de seguridad

### Advertencias de seguridad generales para herramientas eléctricas



**¡Advertencia! Lea todas las advertencias de seguridad, instrucciones, ilustraciones y especificaciones suministradas con esta herramienta eléctrica.** El incumplimiento de las advertencias e instrucciones que aparecen a continuación podría provocar una descarga eléctrica, un incendio y/o lesiones graves.

**Guarde todas las advertencias e instrucciones para poder consultarlas con posterioridad.** El término "herramienta eléctrica" que aparece en todas las advertencias que aparecen a continuación se refiere a la herramienta eléctrica que funciona a través de la red eléctrica (con cable) o a la herramienta eléctrica que funciona con batería (sin cable).

#### 1. Seguridad en la zona de trabajo

- Mantenga su área de trabajo limpia y bien iluminada.** Las áreas en desorden u oscuras pueden provocar accidentes.
- No utilice herramientas eléctricas en atmósferas explosivas, como ambientes donde haya polvo, gases o líquidos inflamables.** Las herramientas eléctricas originan chispas que pueden inflamar el polvo o los gases.
- Mantenga alejados a los niños y a las personas que estén cerca mientras utiliza una herramienta eléctrica.** Las distracciones pueden ocasionar que pierda el control.

#### 2. Seguridad eléctrica

- Los enchufes de las herramientas eléctricas deben corresponderse con la toma de corriente. No modifique nunca el enchufe de ninguna forma. No utilice ningún enchufe adaptador con herramientas eléctricas conectadas a tierra (a masa).** Los enchufes no modificados y las tomas de corriente correspondientes reducirán el riesgo de descarga eléctrica.
- Evite el contacto corporal con superficies conectadas a tierra tales como tuberías, radiadores, cocinas y neveras.** Existe un mayor riesgo de descarga eléctrica si su propio cuerpo está conectado a tierra.
- No exponga las herramientas eléctricas a la lluvia ni a condiciones húmedas.** Si entra agua en una herramienta eléctrica, aumenta el riesgo de descarga eléctrica.

- No someta el cable de alimentación a presión innecesaria. No use nunca el cable para transportar, tirar de la herramienta eléctrica o desenchufarla. Mantenga el cable alejado del calor, aceite, bordes afilados y piezas en movimiento.** Los cables dañados o enredados aumentan el riesgo de descarga eléctrica.
- Cuando esté utilizando una herramienta eléctrica al aire libre, use un cable prolongador adecuado para uso en exteriores.** La utilización de un cable adecuado para el uso en exteriores reduce el riesgo de descarga eléctrica.
- Si no puede evitar utilizar una herramienta eléctrica en un lugar húmedo, use un suministro protegido con un dispositivo diferencial residual (DDR).** El uso de un dispositivo de corriente residual reduce el riesgo de descarga eléctrica.

#### 3. Seguridad personal

- Manténgase alerta, esté atento a lo que hace y use el sentido común cuando utilice una herramienta eléctrica. No maneje una herramienta eléctrica cuando esté cansado o bajo los efectos de drogas, medicamentos o alcohol.** Un momento de desatención cuando se manejan las herramientas eléctricas puede ocasionar lesiones personales graves.
- Utilice equipo de seguridad personal. Utilice siempre protección ocular.** El uso del equipo protector, como mascarillas antipolvo, calzado antideslizante, casco o protección auditiva para condiciones apropiadas, reducirá las lesiones personales.
- Evite la puesta en funcionamiento involuntaria. Asegúrese de que el interruptor esté en posición de apagado antes de conectar con la fuente de alimentación y/o la batería, de levantar o transportar la herramienta.** El transportar herramientas eléctricas con el dedo puesto en el interruptor o herramientas eléctricas activadoras que tengan el interruptor encendido puede provocar accidentes.
- Saque cualquier llave de ajuste o llave inglesa antes de encender la herramienta eléctrica.** Una llave inglesa u otra llave que se deje puesta en una pieza en movimiento de la herramienta eléctrica pueden ocasionar lesiones personales.
- No se estire demasiado. Mantenga un equilibrio adecuado y la estabilidad constantemente.** Esto permite un mejor control de la herramienta eléctrica en situaciones inesperadas.
- Use la vestimenta adecuada. No se ponga ropa suelta o joyas. Mantenga el cabello y la ropa alejados de las piezas móviles.** La ropa suelta, las joyas y el pelo largo pueden quedar atrapados en las piezas en movimiento.

- g. Si se suministran dispositivos para la conexión del equipo de extracción y recogida de polvo, asegúrese de que estén conectados y de que se usen adecuadamente.** El uso de equipo de recogida de polvo puede reducir los riesgos relacionados con el polvo.
- h. No deje que la familiaridad adquirida con el uso frecuente de las herramientas le lleve a fiarse demasiado y a descuidar las principales normas de seguridad de la herramienta.** Los descuidos pueden causar lesiones graves en una fracción de segundo.
- 4. Uso y cuidado de la herramienta eléctrica**
- a. No fuerce la herramienta eléctrica. Use la herramienta eléctrica correcta para su trabajo.** La herramienta eléctrica correcta funcionará mejor y con mayor seguridad si se utiliza de acuerdo con sus características técnicas.
- b. No utilice la herramienta eléctrica si no puede encenderse y apagarse con el interruptor.** Toda herramienta eléctrica que no pueda controlarse con el interruptor es peligrosa y debe ser reparada.
- c. Desconecte el enchufe de la fuente de alimentación y/o extraiga la batería de la herramienta eléctrica, si es desmontable, antes de realizar ajustes, cambiar accesorios o guardar las herramientas eléctricas.** Dichas medidas de seguridad preventivas reducen el riesgo de poner en marcha accidentalmente la herramienta eléctrica.
- d. Guarde las herramientas eléctricas que no esté utilizando fuera del alcance de los niños y no permita que las utilicen las personas que no estén familiarizadas con ellas o con estas instrucciones.** Las herramientas eléctricas son peligrosas en manos de personas no capacitadas.
- e. Efectúe el mantenimiento de las herramientas eléctricas y de los accesorios. Compruebe si hay desalineación o bloqueo de las piezas en movimiento, rotura de piezas y otras condiciones que puedan afectar el funcionamiento de la herramienta eléctrica. Si la herramienta eléctrica está dañada, llévela a reparar antes de utilizarla.** Muchos accidentes se ocasionan por el incorrecto mantenimiento de las herramientas eléctricas.
- f. Mantenga las herramientas de corte afiladas y limpias.** Hay menos probabilidad de que las herramientas para cortar con bordes afilados se bloqueen y son más fáciles de controlar.
- g. Utilice la herramienta eléctrica, los accesorios, los útiles de la herramienta, etc. de acuerdo con estas instrucciones, y tenga en cuenta las condiciones de trabajo y la tarea que se va a realizar.**
- El uso de la herramienta eléctrica para operaciones que no sean las previstas puede ocasionar una situación peligrosa.
- h. Mantenga todas las empuñaduras y superficies de agarre secas, limpias y libres de aceite y grasa.** Las empuñaduras y superficies de agarre resbaladizas impiden el agarre y el control seguro de la herramienta en situaciones imprevistas.
- 5. Uso y cuidado de la herramienta con pilas**
- a. Haga las recargas exclusivamente con el cargador indicado por el fabricante.** Un cargador adecuado para un tipo de batería puede causar riesgo de incendio si se utiliza con otra batería.
- b. Utilice herramientas eléctricas solamente cuando se especifique en la batería.** El uso de otra batería puede ocasionar riesgo de incendio y lesiones.
- c. Cuando no se utilice la batería, manténgala alejada de objetos de metal como clips para papel, monedas, llaves, clavos, tornillos y otros pequeños objetos metálicos que pueden realizar una conexión de un terminal a otro.** Si se produce un cortocircuito entre los terminales de la batería, se puede ocasionar un incendio o sufrir quemaduras.
- d. En condiciones abusivas, podrá salir líquido de la batería, evite el contacto. Si se produce un contacto accidental, lávese con agua. Si el líquido entra en contacto con los ojos, busque atención médica de inmediato.** El líquido expulsado por la batería puede causar irritaciones o quemaduras.
- e. No utilice baterías o herramientas dañadas o modificadas.** Las baterías dañadas o modificadas pueden presentar un funcionamiento imprevisto y causar incendio, explosión o riesgo de lesiones.
- f. No exponga la batería o la herramienta al fuego o a temperaturas excesivas.** La exposición al fuego o a una temperatura superior a 130 °C puede causar explosión.
- g. Siga todas las instrucciones de carga y no cargue la batería o la herramienta fuera del rango de temperatura indicado en las instrucciones.** La carga incorrecta o a temperaturas fuera del rango especificado puede dañar la batería y aumentar el riesgo de incendio.
- 6. Servicio**
- a. Lleve su herramienta eléctrica para que sea reparada por una persona cualificada para realizar las reparaciones y que use solo piezas de repuesto idénticas.** Esto le asegurará el mantenimiento de la seguridad de la herramienta eléctrica.
- b. No repare nunca las baterías dañadas.** La reparación de las baterías debe ser realizada únicamente por el fabricante o los proveedores de servicios autorizados.

## 1) Instrucciones de seguridad para todas las operaciones

- a. **Sujete la herramienta correctamente antes de usarla.** Esta herramienta produce un alto par de salida y, si no se sujeta correctamente durante el funcionamiento, se puede perder el control y causar lesiones personales.
- b. **Sostenga la herramienta eléctrica por las superficies de agarre aisladas cuando realice una operación en la que el accesorio de corte pueda entrar en contacto con un cable oculto.** El contacto de los accesorios de corte con un cable con tensión puede transmitir la tensión a las partes metálicas expuestas de la herramienta eléctrica y producir una descarga eléctrica al operador.

## Instrucciones de seguridad para cuando se utilizan brocas largas

- **Nunca utilice la herramienta a una velocidad superior a la velocidad máxima de la broca.** A velocidades superiores, es probable que la broca se doble si la deja girar libremente sin entrar en contacto con la pieza de trabajo, y ello puede causar lesiones personales.
- **Empiece siempre a taladrar a baja velocidad y con la punta de la broca en contacto con la pieza de trabajo.** A velocidades superiores, es probable que la broca se doble si la deja girar libremente sin entrar en contacto con la pieza de trabajo, y ello puede causar lesiones personales.
- **Aplique presión solo en línea directa con la broca, pero sin ejercer una presión excesiva.** Las brocas pueden doblarse causando rotura o pérdida de control y lesiones personales.
- **Utilice protectores auditivos con los taladros de percusión. La exposición al ruido puede provocar pérdida auditiva.**
- **Utilice las empuñaduras auxiliares suministradas con la herramienta.** La pérdida de control puede provocar lesiones personales.
- **Utilice mordazas u otro tipo de método para fijar y apoyar la pieza de trabajo en una plataforma estable.** Si sostiene la pieza de trabajo con las manos o con el cuerpo, la pieza quedará inestable y podrá hacer que usted pierda el control.
- **Antes de clavar fijaciones en paredes, suelos o techos, compruebe la ubicación de los cables y tuberías.**
- **En este manual se describe el uso previsto.**
- **La utilización de accesorios o la realización de operaciones distintas a las recomendadas en este manual de instrucciones con esta herramienta puede comportar el riesgo de lesiones y/o daños materiales.**

## Seguridad de otras personas

- Las personas (incluidos niños) con capacidades físicas, sensoriales o mentales disminuidas o que carezcan de experiencia y conocimientos no deben utilizar esta herramienta, salvo que hayan recibido supervisión o formación con respecto al uso del aparato por parte de una persona responsable de su seguridad.
- Los niños deben estar vigilados en todo momento para asegurarse de que no jueguen con el aparato.

## Riesgos residuales

Pueden producirse otros riesgos residuales al usar la herramienta que no se hayan incluido en las advertencias de seguridad adjuntas. Estos riesgos se pueden generar por un uso incorrecto, demasiado prolongado, etc. El cumplimiento de las normas de seguridad correspondientes y el uso de dispositivos de seguridad no evitan ciertos riesgos residuales. Esto incluye:

- Lesiones producidas por el contacto con piezas móviles o giratorias.
- Lesiones producidas al cambiar cualquier pieza, cuchilla o accesorio.
- Lesiones producidas al usar una herramienta por un tiempo demasiado prolongado. Cuando use cualquier herramienta durante periodos prolongados, asegúrese de hacer pausas regulares.
- Deterioro auditivo.
- Riesgos para la salud producidos al respirar el polvo que se genera al usar la herramienta (por ejemplo: en los trabajos con madera, especialmente de roble, haya y tableros de densidad mediana).

## Vibraciones

Los valores de emisión de vibraciones declarados en el apartado de características técnicas y en la declaración de conformidad se han calculado según un método de prueba estándar proporcionado por la norma EN62841 y pueden utilizarse para comparar una herramienta con otra. El valor declarado de emisión de las vibraciones también se puede usar en una evaluación preliminar de la exposición. **¡Advertencia!** El valor de emisión de las vibraciones durante el uso de la herramienta eléctrica puede variar con respecto al valor declarado, dependiendo de las formas de usar la herramienta. El nivel de las vibraciones puede superar el nivel indicado. A la hora de evaluar la exposición a las vibraciones para determinar las medidas de seguridad exigidas por la Directiva 2002/44/CE para proteger a las personas que utilizan habitualmente herramientas electrónicas en su trabajo, una estimación de la exposición a las vibraciones debe tener en cuenta las condiciones reales de uso y la forma en que se utiliza la herramienta, teniendo en cuenta también todas las

partes del ciclo operativo, como el tiempo que la herramienta está apagada y cuando funciona en ralentí, además del tiempo de activación.

### Etiquetas en la herramienta

En la herramienta aparecen los pictogramas siguientes, así como el código de fecha:



**¡Advertencia!** Para reducir el riesgo de lesiones, el usuario debe leer el manual de instrucciones.



Utilice protectores para los oídos con los taladros de percusión. La exposición al ruido puede provocar pérdida auditiva.



No mire fijamente la lámpara de operación

### Instrucciones de seguridad adicionales para baterías y cargadores

#### Baterías

- Jamás trate de abrirla por ninguna razón.
- No exponga la batería al agua.
- No las almacene en lugares en los que la temperatura pueda superar los 40 °C.
- Realice la carga únicamente a una temperatura ambiente de entre 10 °C y 40 °C.
- Utilice únicamente el cargador suministrado con la herramienta para realizar la carga.
- Para desechar las pilas o las baterías, siga las instrucciones facilitadas en la sección "Protección del medio ambiente".

#### Los cargadores

- Utilice el cargador STANLEY FATMAX para cargar únicamente la batería de la herramienta con la que fue suministrado. En caso de intentar cargar otras baterías, estas podrían explotar, lo que podría provocar lesiones y daños personales.
- Nunca intente cargar baterías no recargables.
- Sustituya los cables defectuosos inmediatamente.
- No exponga el cargador al agua.
- No abra el cargador.
- No aplique ningún dispositivo para medir la resistencia del cargador.



Este cargador está pensado únicamente para utilizar en un lugar interior.



Lea el manual de instrucciones antes de utilizar el aparato.



No intente cargar baterías dañadas.

### Seguridad eléctrica



El cargador está provisto de doble aislamiento, por lo que no requiere una toma de tierra. Cada vez que utilice el aparato, debe comprobar que el voltaje de la red eléctrica coincide con el valor indicado en la placa de datos. No intente sustituir el cargador por un enchufe convencional para la red eléctrica.

- Si se daña el cable de alimentación, debe ser sustituido por el fabricante o por un centro de asistencia técnica autorizado de STANLEY FATMAX, para evitar cualquier situación de riesgo.



**¡Advertencia!** No intente sustituir el cargador por un enchufe convencional para la red eléctrica.

### Características

Este aparato incluye una o más de las siguientes características.

1. Gatillo interruptor
2. Botón de avance/retroceso
3. Collarín de ajuste de torsión
4. Selector de engranaje de doble serie
5. Mandril sin llave
6. Batería
7. Botón de liberación de la batería
8. Luz de trabajo LED

### Uso



**¡Advertencia!** Deje que la herramienta funcione a su ritmo.

No debe sobrecargarla.

### Carga de la batería (Fig. A)

Es necesario cargar la batería antes del primer uso y cada vez que empiece a no tener suficiente potencia para tareas que eran fáciles de realizar anteriormente.

Es posible que la batería se caliente durante la carga, esto es normal y no denota ningún problema.



**¡Advertencia!** No cargue la batería si la temperatura ambiente es inferior a 10 °C o superior a 40 °C.

La temperatura de carga recomendada es de aproximadamente 24 °C.

**Nota: El cargador no cargará la batería si la temperatura de esta es inferior a los 10 °C o superior a los 40 °C aproximadamente.**

**Deje la batería en el cargador y este empezará a cargarla automáticamente cuando la temperatura de la batería aumente o disminuya.**

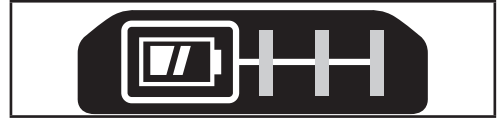
**Nota:** Para garantizar el máximo rendimiento y la máxima duración de sus baterías de iones de litio, cárguelas completamente antes de utilizarlas.

- Enchufe el cargador (9) en una toma adecuada antes de introducir la batería (6).

- La luz verde de carga (9a) pestañeará continuamente, indicando que se ha iniciado el proceso de carga.
- Se indicará que la carga ha terminado cuando la luz verde de carga (9a) quede encendida de manera continua. La batería (6) está totalmente cargada y puede sacarla, usarla o dejarla en el cargador.
- Cargue las baterías descargadas en el plazo de 1 semana. La vida útil de la batería disminuirá considerablemente si ésta se almacena descargada.

**Indicador del estado de la carga de la batería (Fig. B)**

La batería incluye un indicador de estado de carga para determinar rápidamente la duración de la batería, como se muestra en la figura B. Pulsando el botón de estado de carga (6a) puede ver fácilmente la carga que queda en la batería, como se muestra en la figura B.



**Colocar y sacar la batería de la herramienta**



**¡Advertencia!** Asegúrese de que el botón de desbloqueo está bloqueado para evitar que se active el interruptor antes de sacar o colocar la batería.

**Colocación de la batería (Fig. C)**

- Inserte la batería firmemente en la herramienta hasta que se oiga un clic, como se muestra en la figura C. Compruebe que la batería esté correctamente colocada y bloqueada en su posición.

**Extracción de la batería (Fig. D)**

- Presione el botón de liberación de la batería (7) como se muestra en la figura D y saque la batería de la herramienta.

**Gancho para cinturón (Opcional extra) (Fig. E, F)**



**¡Advertencia!** Para reducir el riesgo de daños personales graves, coloque el botón de avance/retroceso en la posición de bloqueo o apague la herramienta y desconecte la batería antes de realizar cualquier ajuste o retirar o instalar piezas o accesorios. El encendido accidental puede causar lesiones.



**¡Advertencia!** Para reducir el riesgo de lesiones graves, use SOLO el gancho para cinturón (10) de la herramienta para colgar la herramienta al cinturón de trabajo. NO use el gancho de cinturón para atar o sujetar la herramienta a una persona u objeto durante el uso. NO cuelgue la herramienta por encima de su cabeza ni para colgar objetos del gancho de cinturón.



**¡Advertencia!** Para reducir el riesgo de lesiones personales graves, compruebe que el tornillo (11) de sujeción del gancho del cinturón esté apretado.

**Nota:** Para colocar o sacar el gancho para cinturón (10), utilice solo el tornillo (11) suministrado. Asegúrese de apretar bien el tornillo.

El gancho para cinturón (10) puede colocarse haciéndolo deslizar en las ranuras (12) de cualquiera de los lados de la herramienta utilizando exclusivamente el tornillo (11) suministrado, para facilitar su uso a los usuarios diestros y

**Modos del LED del cargador**

|  |  |  |
|--|--|--|
|  | <b>Cargando:</b><br>LED verde intermitente   |  |
|  | <b>Totalmente cargada:</b><br>LED verde fijo   |  |
|  | <b>Retardo por batería fría/caliente:</b><br>LED verde intermitente<br>LED rojo fijo |  |

**Nota:** Los cargadores compatibles no cargan las baterías defectuosas. Si el cargador no se ilumina significa que la batería está averiada.

**Nota:** Esto también podría significar un problema con el cargador. Si el cargador indica un problema, lleve el cargador y la batería a un centro de reparación autorizado para que los prueben.

**Dejar la batería en el cargador**

El cargador y la batería pueden permanecer conectados durante un periodo de tiempo indefinido con el indicador LED iluminado. El cargador mantendrá la batería a baja temperatura y completamente cargada.

**Retardo por batería fría / caliente**

Cuando el cargador detecta que la batería está demasiado caliente o demasiado fría, inicia automáticamente un retardo por batería fría/caliente, el LED verde (9a) parpadea en modo intermitente, y el LED rojo (9b) queda encendido continuamente, suspendiendo la carga hasta que la batería alcance la temperatura adecuada. El cargador cambiará automáticamente al modo de carga de batería. Esta característica le asegura la máxima vida útil de la batería.

zurdos. Si no desea utilizar el gancho, podrá retirarlo de la herramienta. Para retirar el gancho del cinturón, saque el tornillo (11) que sostiene el gancho para cinturón (10) en su lugar y vuelva a colocarlo en el lado opuesto.

Asegúrese de apretar bien el tornillo (11).

**Nota:** Hay disponibles varios ganchos y configuraciones de almacenamiento Trackwall.

Para más información, visite nuestro sitio web [www.stanleytools.eu/3](http://www.stanleytools.eu/3).

### Mandril sin llave (Fig. G)



**¡Advertencia!** Asegúrese de haber sacado la baterías, para evitar que se active la herramienta antes de colocar o extraer los accesorios.

Para introducir una broca u otro accesorio:

- Aferre el mandril (5) y gírelo en sentido antihorario, visto desde el extremo del mandril.
- Introduzca la broca u otro accesorio (13) completamente en el mandril y fíjelo bien girando el mandril en sentido horario visto desde el extremo del mandril.



**¡Advertencia!** No intente apretar o aflojar las brocas (ni cualquier otro accesorio) agarrando la parte frontal del mandril y encendiendo la herramienta.

Al cambiar los accesorios se puede dañar el mandril y se pueden producir lesiones personales.

### Interruptor de activación y botón de avance/retroceso (Fig. H)

- El taladro se ENCIENDE y se APAGA tirando y soltando el interruptor de activación (1) que se muestra en la figura H. Cuanto más se oprima el interruptor de activación, mayor será la velocidad del taladro.
- El botón de control de avance/retroceso (2) determina la dirección de rotación de la herramienta y también se utiliza como botón de bloqueo.
- Para seleccionar el giro hacia delante, suelte el interruptor de activación y pulse el botón de control de avance/retroceso ubicado en la parte derecha de la herramienta.
- Para seleccionar el sentido de retroceso, pulse el botón de control de avance/retroceso ubicado en la parte izquierda de la herramienta.
- La posición central del botón de control bloquea la herramienta en posición de apagado. Cuando cambie la posición del botón de control, compruebe haber soltado el interruptor activador.

### Ajuste de control de par (Fig. I)

Esta herramienta dispone de un collarín de ajuste de par (3) para seleccionar el modo de funcionamiento y ajustar el par de apriete de los tornillos. Los tornillos largos y las piezas de trabajo de materiales duros requieren un ajuste de par de torsión mayor que los tornillos pequeños y las piezas de trabajo de materiales blandos.

- Para taladrar madera, metal y plásticos, ajuste el collar (3) en el símbolo de posición de taladrado.
- Para atornillar, fije el collar en el ajuste deseado. Si no conoce el ajuste adecuado, haga lo siguiente:
  - ◆ Ajuste el collar en el ajuste de torsión más bajo.
  - ◆ Apriete el primer tornillo.
  - ◆ Si la herramienta se detiene antes de obtener el resultado deseado, aumente el ajuste del collar y continúe atornillando.
  - ◆ Repita la operación hasta obtener el ajuste correcto.
  - ◆ Utilice este ajuste para los tornillos restantes.

### Interruptor de dos velocidades (Fig. J)

La función de dos velocidades de su taladro le permite cambiar la velocidad para obtener más versatilidad.

- Para seleccionar la velocidad baja y el ajuste de par alto (posición 1), apague la herramienta y espere a que se detenga. Deslice el botón de cambio de marcha (4) alejándolo del mandril.
- Para seleccionar la velocidad alta y el ajuste de par bajo (posición 2), apague la herramienta y espere a que se detenga. Vuelva a deslizar el botón de cambio de marcha hacia el mandril.

**Nota:** No cambie las velocidades cuando la herramienta esté funcionando. Si tiene algún problema al cambiar las velocidades, compruebe que la palanca de engranajes de doble serie esté completamente colocada hacia delante o hacia atrás.

### Atornillado

- Para atornillar fijaciones, el botón de avance/retroceso debe pulsarse hacia la izquierda.
- Use el botón de retroceso (pulsando hacia la derecha) para extraer las fijaciones.

**Nota:** Cuando cambie de avance a retroceso o viceversa, siempre suelte antes el interruptor de accionamiento.

### Taladrado

- Utilice solo brocas afiladas.
- Apoye y fije correctamente la pieza de trabajo como se indica en las instrucciones de seguridad.
- Utilice el equipo de seguridad requerido apropiado, como se indica en las instrucciones de seguridad.
- Cuide y mantenga el lugar de trabajo como se indica en las instrucciones de seguridad.
- Realice el taladrado muy lentamente, ejerciendo una ligera presión hasta que el agujero sea suficientemente grande para que la broca no se salga.
- Ejercza presión en línea recta con la broca. Presione lo suficiente para que la broca continúe perforando, pero no demasiado para evitar que el motor se paralice o que la broca se desvíe.



- Sujete el taladro firmemente con las dos manos, con una mano en la empuñadura y la otra agarrando la parte inferior alrededor de la batería, o utilice la empuñadura auxiliar, si la hubiese.
- NO PULSE REITERADAMENTE EL INTERRUPTOR DE ENCENDIDO Y APAGADO DE UN TALADRO PARADO CON LA INTENCIÓN DE ACCIONARLO. PODRÍAN PRODUCIRSE DAÑOS EN EL TALADRO.
- Para reducir al mínimo las paradas o interrupciones, disminuya la presión y taladre lentamente la última parte del orificio.
- Mantenga el motor en funcionamiento mientras extrae la broca del orificio. De este modo, evitará que se produzcan atascos.
- Compruebe que el interruptor encienda y apague el taladro.

### Perforar madera

Los orificios en la madera pueden realizarse con las mismas brocas helicoidales utilizadas para el metal o con brocas de pala. Las brocas deben estar afiladas y es necesario extraerlas frecuentemente cuando se realizan las perforaciones con el fin de eliminar las astillas de las ranuras del taladro.

### Perforar metales

Utilice un lubricante de corte cuando perforo metales. Las excepciones son el latón y la fundición, que deberán perforarse en seco. Los lubricantes de corte que funcionan mejor son a base de aceite de corte sulfurizado.

### Luz de trabajo LED (Fig. H)

Cuando el taladro se activa tirando el interruptor de activación (1), la luz de trabajo de LED integrada (8) iluminará automáticamente el área de trabajo.

**Nota:** La luz de trabajo sirve para alumbrar la superficie de trabajo inmediata y no puede utilizarse como luz de alumbrado.

### Resolución de problemas

| Problema   | Posible causa   | Posible solución   |
|--|---|--|
| La unidad no arranca.  | La batería no se ha instalado correctamente.<br><br>La batería no está cargada. | Compruebe la instalación de la batería.<br><br>Compruebe los requisitos de carga de la batería.                              |
| La unidad se enciende inmediatamente después de introducir la batería. | El interruptor se dejó en la posición "encendido".                              | El interruptor debe colocarse en "apagado" para evitar que la herramienta se encienda inmediatamente al insertar la batería. |

| Problema                           | Posible causa  | Posible solución   |
|------------------------------------|--|--|
| La batería no se carga.            | No se ha insertado la batería en el cargador.<br><br>El cargador no está enchufado.<br><br>La temperatura del aire circundante es demasiado caliente o demasiado fría.                       | Inserte la batería en el cargador hasta que se encienda el indicador LED del cargador.<br><br>Enchufe el cargador en una toma de corriente que funcione.<br><br>Desplace el cargador y la batería a un lugar con temperatura ambiente superior a 4,5 °C o inferior a +40,5 °C. |
| La unidad se apaga repentinamente. | La batería ha alcanzado su máximo límite térmico.<br><br>Descargada. Para maximizar la vida útil de la batería, esta ha sido diseñada para apagarse repentinamente cuando se agota la carga. | Deje que la batería se enfríe.<br><br>Coloque en el cargador y déjelo cargar.  |

### Mantenimiento

La herramienta STANLEY FATMAX ha sido diseñada para funcionar durante un largo período de tiempo con un mantenimiento mínimo. El funcionamiento satisfactorio y continuo depende del buen cuidado de la herramienta y de una limpieza frecuente.

El cargador no requiere otro mantenimiento que una limpieza periódica.



**¡Advertencia!** Antes de realizar alguna operación de mantenimiento en la herramienta, extraiga la batería. Desenchufe el cargador antes de limpiarlo.

- Limpie periódicamente las ranuras de ventilación de la herramienta y del cargador con un cepillo suave o un paño seco.
- Limpie periódicamente la carcasa del motor con un paño húmedo.
- No utilice productos de limpieza abrasivos o a base de disolventes.

### Protección del medioambiente



Recogida selectiva. Los productos y las baterías marcadas con este símbolo no se deben desechar con la basura doméstica normal.

Los productos y las baterías que contienen materiales que se puedan recuperar o reciclar reducen la demanda de materias primas. Recicle los productos eléctricos y las baterías de conformidad con las normas locales. Puede obtener más información en [www.2helpU.com](http://www.2helpU.com)



**Datos técnicos**

|  |                   | SFMCD700     |
|--|-------------------|--------------|
| Voltaje                                | $V_{CC}$          | 18V          |
| Velocidad en vacío                     | $\text{Min}^{-1}$ | 0-350/0-1500 |
| Par de torsión máximo                  | Nm                | 50           |
| Capacidad del porta-puntas             | mm                | 13           |
| <b>Capacidad máxima de perforación</b> |                   |              |
| Acero/madera/mampostería               | mm                | 13/35/13     |
| Peso                                   | kg                | 1,2          |

| Cargador           |          | SFMCB11 | SFMCB12 | SFMCB14 |
|--------------------|----------|---------|---------|---------|
| Voltaje de entrada | $V_{CA}$ | 230     | 230     | 230     |
| Voltaje de salida  | $V_{CC}$ | 18      | 18      | 18      |
| Corriente          | A        | 1,25    | 2       | 4       |

| Batería   |          | SFMCB201       | SFMCB202       | SFMCB204       | SFMCB206       |
|-----------|----------|----------------|----------------|----------------|----------------|
| Voltaje   | $V_{CC}$ | 18             | 18             | 18             | 18             |
| Capacidad | Ah       | 1,5            | 2,0            | 4,0            | 6,0            |
| Tipo      |          | iones de litio | iones de litio | iones de litio | iones de litio |

**Nivel de presión acústica de acuerdo con la norma EN62841:**Presión acústica ( $L_{pA}$ ) 70,0 dB(A), incertidumbre (K) 5 dB(A)Potencia acústica ( $L_{WA}$ ) 81,0 dB(A), incertidumbre (K) 5 dB(A)**Valores totales de vibración (suma vectorial triaxial) de acuerdo con la norma EN62841:**Perforación de metal ( $a_{h,D}$ ) 1,2  $\text{m/s}^2$ , incertidumbre (K) 1,5  $\text{m/s}^2$ **Declaración de conformidad CE**

DIRECTIVA SOBRE MAQUINARIA



SFMCD700 - Taladro

STANLEY Europe declara que los productos descritos en

"Datos técnicos" cumplen las siguientes normas:

EN62841-1:2015, EN62841-2-1:2018+A11:2019.

Estos productos también cumplen las Directivas 2006/42/CE, 2014/30/UE y 2011/65/UE. Si desea más información, póngase en contacto con STANLEY Europe en la dirección indicada a continuación o bien consulte la parte posterior de este manual.

Si desea obtener más información, póngase en contacto con STANLEY FATMAX a través de la siguiente dirección o consulte el reverso del manual.

El abajo firmante es el responsable de la compilación del archivo técnico y realiza esta declaración en representación de STANLEY FATMAX.

Patrick Diepenbach

Director General, Benelux

Stanley Europe, Egide Walschaertsstraat 14-18,

2800 Malinas, Bélgica

14/10/2021

**Garantía**

STANLEY FATMAX confía en la calidad de sus productos y ofrece a los consumidores una garantía de 12 meses a partir de la fecha de compra. Esta garantía es adicional a sus derechos legales y no los menoscaba en modo alguno. La garantía es válida dentro de los territorios de los Estados Miembros de la Unión Europea y del Área de Libre Comercio Europea.

Para reclamar la garantía, la reclamación se debe presentar de conformidad con las condiciones de STANLEY FATMAX y se debe presentar el justificante de compra al vendedor o al agente técnico autorizado. Las condiciones de la garantía de STANLEY FATMAX de 1 año de duración y la ubicación de su agente técnico autorizado más cercano se pueden obtener en Internet en [www.2helpU.com](http://www.2helpU.com) o poniéndose en contacto con su oficina local de STANLEY FATMAX en la dirección que se indica en este manual.

Visite nuestro sitio web [www.stanleytools.eu/3](http://www.stanleytools.eu/3) para registrar su nuevo producto STANLEY FATMAX y recibir noticias sobre nuevos productos y ofertas especiales.

## Utilização pretendida

O berbequim/aparafusadora SFMCD700 da STANLEY FATMAX foi concebido para aparafusar e para perfurar madeira, metal e plástico. Este equipamento destina-se a utilização profissional bem como a utilizadores privados não profissionais.

## Instruções de segurança

### Avisos de segurança gerais relativos a ferramentas eléctricas



**Atenção! Leia todos os avisos de segurança, instruções, ilustrações e especificações fornecidos com esta ferramenta eléctrica.**

O não cumprimento dos seguintes avisos e instruções pode resultar em choque eléctrico, incêndio e/ou ferimentos graves.

### Guarde todos os avisos e instruções para futura referência.

Em todos os avisos que se seguem abaixo, o termo "ferramenta eléctrica" refere-se à sua ferramenta alimentada pela rede eléctrica (com fios) ou por uma bateria (sem fios).

#### 1. Segurança na área de trabalho

- Mantenha a área de trabalho limpa e bem iluminada.** As áreas desorganizadas ou escuras são propensas a acidentes.
- Não utilize as ferramentas eléctricas em ambientes explosivos, como, por exemplo, na presença de líquidos, gases ou poeiras inflamáveis.** As ferramentas eléctricas criam faíscas que poderão inflamar estas poeiras ou vapores.
- Mantenha crianças e outras pessoas à distância quando utilizar a ferramenta eléctrica.** As distrações podem levar à perda do controlo da ferramenta.

#### 2. Segurança eléctrica

- As fichas das ferramentas eléctricas têm de ser compatíveis com a tomada de electricidade. Nunca modifique a ficha de forma alguma. Não utilize fichas adaptadoras com ferramentas eléctricas ligadas à terra.** As fichas não modificadas e as tomadas compatíveis reduzem o risco de choque eléctrico.
- Evite o contacto corporal com superfícies ligadas à terra, como tubos, radiadores, fogões e frigoríficos.** Se o seu corpo estiver "ligado" à terra, o risco de choque eléctrico é maior.
- Não exponha as ferramentas eléctricas à chuva ou a condições de humidade.** A entrada de água numa ferramenta eléctrica aumenta o risco de choque eléctrico.

- Não aplique força excessiva sobre o cabo. Nunca o utilize para transportar, puxar ou desligar a ferramenta eléctrica. Mantenha o cabo afastado de fontes de calor, substâncias oleosas, arestas aguçadas ou peças móveis.** Os cabos danificados ou emaranhados aumentam o risco de choque eléctrico.
- Ao utilizar uma ferramenta eléctrica no exterior, use uma extensão adequada para utilização ao ar livre.** A utilização de um cabo adequado para uso ao ar livre reduz o risco de choque eléctrico.
- Se não for possível evitar trabalhar com uma ferramenta eléctrica num local húmido, utilize uma fonte de alimentação protegida por um dispositivo de corrente residual (DCR).** A utilização de um DCR reduz o risco de choque eléctrico.

#### 3. Segurança pessoal

- Esteja atento, preste atenção ao que está a fazer e use o bom senso quando operar uma ferramenta eléctrica. Não utilize uma ferramenta eléctrica quando estiver cansado ou sob o efeito de drogas, álcool ou medicamentos.** Um momento de distração durante a utilização de ferramentas eléctricas poderá resultar em ferimentos graves.
- Use equipamento de protecção individual. Use sempre protecção ocular.** O equipamento de protecção, como, por exemplo, uma máscara contra o pó, sapatos de segurança antiderrapantes, um capacete de segurança ou uma protecção auditiva, usado nas condições apropriadas, reduz o risco de ferimentos.
- Evite accionamentos acidentais. Certifique-se de que o gatilho da ferramenta está na posição de desligado antes de a ligar à tomada de electricidade e/ou inserir a bateria, ou antes de segurar ou transportar a ferramenta.** Se mantiver o dedo sobre o interruptor ao transportar ferramentas eléctricas ou se as ligar à fonte de alimentação com o interruptor ligado, poderá originar acidentes.
- Retire qualquer chave de ajuste ou chave de porcas antes de ligar a ferramenta eléctrica.** Uma chave de porcas ou chave de ajuste deixada numa peça móvel da ferramenta poderá resultar em ferimentos.
- Não se estique demasiado quando trabalhar com a ferramenta. Mantenha-se sempre bem posicionado e equilibrado.** Desta forma, será mais fácil controlar a ferramenta eléctrica em situações inesperadas.
- Use vestuário adequado. Não use roupa larga ou jóias. Mantenha o cabelo e a roupa afastados das peças móveis.** As roupas largas, as jóias ou o cabelo comprido podem ficar presos nestas peças.

- g. Se forem fornecidos acessórios para a ligação de máquinas de extracção e recolha de partículas, certifique-se de que estes são ligados e utilizados correctamente.** A utilização de dispositivos de extracção de partículas pode reduzir os riscos relacionados com as mesmas.
- h. Não permita que a familiaridade resultante da utilização frequente de ferramentas lhe permita ser complacente e ignorar os princípios de segurança da ferramenta.** Uma acção descuidada pode causar ferimentos graves numa fracção de segundo.
- 4. Utilização e cuidados a ter com a ferramenta**
- a. Não utilize a ferramenta eléctrica de forma forçada.** Utilize a ferramenta eléctrica correcta para o seu trabalho. A ferramenta eléctrica adequada irá efectuar o trabalho de um modo mais eficiente e seguro se for utilizada de acordo com a capacidade para a qual foi concebida.
- b. Não utilize a ferramenta eléctrica se o respectivo gatilho não a ligar e desligar.** Qualquer ferramenta eléctrica que não possa ser controlada através do interruptor de alimentação é perigosa e tem de ser reparada.
- c. Retire a ficha da tomada de eletricidade e/ou retire a bateria da ferramenta eléctrica, caso seja desmontável, antes de efetuar quaisquer ajustes, substituir acessórios ou guardar ferramentas eléctricas.** Estas medidas de segurança preventivas reduzem o risco de ligar a ferramenta eléctrica acidentalmente.
- d. Guarde as ferramentas eléctricas que não estiverem a ser utilizadas fora do alcance de crianças e não permita que o equipamento seja utilizado por pessoas não familiarizadas com o mesmo ou com estas instruções.** As ferramentas eléctricas são perigosas nas mãos de pessoas que não possuam as qualificações necessárias para as manusear.
- e. Faça a manutenção das ferramentas eléctricas e dos acessórios. Verifique se as peças móveis da ferramenta eléctrica estão alinhadas e não emperram, bem como se existem peças partidas ou danificadas ou quaisquer outras condições que possam afectar o funcionamento da mesma. Se a ferramenta eléctrica estiver danificada, esta não deve ser utilizada até que seja reparada.** Muitos acidentes têm como principal causa ferramentas eléctricas com uma manutenção insuficiente.
- f. Mantenha as ferramentas de corte sempre afiadas e limpas.** As ferramentas de corte sujeitas a uma manutenção adequada, com arestas de corte afiadas, emperram com menos frequência e controlam-se com maior facilidade.
- g. Utilize a ferramenta eléctrica, acessórios e peças de ferramenta de acordo com estas instruções, considerando as condições de trabalho e a tarefa a ser executada.**  
A utilização da ferramenta eléctrica para fins diferentes dos previstos poderá resultar em situações perigosas.
- h. Mantenha os punhos e as superfícies de fixação secos, limpos e sem óleo ou massa lubrificante.** Punhos e superfícies de fixação molhadas não permitem o funcionamento e o controlo seguros em situações inesperadas.
- 5. Utilização e cuidados a ter com a ferramenta com baterias**
- a. Recarregue apenas com o carregador especificado pelo fabricante.** Um carregador adequado para um tipo de bateria pode causar um incêndio se for utilizado com outra bateria.
- b. Utilize ferramentas eléctricas apenas com baterias específicas.** A utilização de outras baterias pode dar origem a ferimentos e a incêndio.
- c. Quando uma bateria não estiver a ser utilizada, mantenha-a afastada de outros objectos metálicos como, por exemplo, cliques, moedas, chaves, pregos, parafusos ou outros pequenos objectos metálicos que possam fazer ligação de um terminal a outro.** O curto-circuito dos terminais de bateria pode causar queimaduras ou incêndio.
- d. Em condições abusivas, pode derramar líquido da bateria, devendo evitar o contacto. Se tocar acidentalmente no líquido, lave bem com água. Se o líquido entrar em contacto com os olhos, consulte um médico.** O líquido derramado da bateria pode causar irritação ou queimaduras.
- e. Não utilize uma bateria ou ferramenta que esteja danificada ou modificada.** As baterias danificadas ou modificadas podem dar origem a um comportamento imprevisível e resultar em incêndio, explosão ou ferimentos.
- f. Não exponha a bateria ou a ferramenta a fogo ou temperatura excessiva.** A exposição a fogo ou temperatura superior a 130 °C pode causar uma explosão.
- g. Siga todas as instruções de carregamento. Não carregue a bateria ou a ferramenta fora da gama especificada nas instruções.** O carregamento indevido ou a temperaturas fora da gama especificada podem causar danos na bateria e aumentar o risco de incêndio.

## 6. Assistência

- a. A sua ferramenta eléctrica só deve ser reparada por um técnico qualificado e só devem ser utilizadas peças sobresselentes originais. Desta forma, é garantida a segurança da ferramenta eléctrica.
- b. Nunca repare baterias danificadas. A reparação de baterias danificadas só deve ser efectuada pelo fabricante ou por fornecedores de serviços autorizados.

## 1) Instruções de segurança para todas as operações

- a. **Segure a ferramenta correctamente antes de utilizá-la.** Esta ferramenta produz um binário de saída elevado. Se não segurar a ferramenta correctamente durante a operação, pode ocorrer perda de controlo e ferimentos.
- b. **Segure a ferramenta eléctrica apenas pelas superfícies isoladas específicas para o efeito ao efectuar uma operação em que o acessório de corte possa entrar em contacto com fios ocultos.** O acessório de corte que entre em contacto com um fio "sob tensão" pode fazer com que as peças de metal expostas da ferramenta conduzam electricidade e electrocutem o utilizador.

## Instruções de segurança para utilização de brocas compridas

- **Nunca utilize a uma velocidade superior à da categoria de velocidade máxima da broca.** A velocidades mais elevadas, a broca tem tendência para dobrar se rodar livremente sem entrar em contacto com a peça de trabalho, resultando em ferimentos.
- **Comece sempre a perfurar a uma velocidade reduzida e com a ponta da broca em contacto com a peça de trabalho.** A velocidades mais elevadas, a broca tem tendência para dobrar se rodar livremente sem entrar em contacto com a peça de trabalho, resultando em ferimentos.
- **Só deve aplicar pressão directamente na broca e não deve aplicar pressão excessiva.** As brocas podem ficar dobradas e ficar partidas ou causar perda de controlo, resultando em ferimentos.
- **Utilize protecção auditiva com berbequins de percussão.** A exposição ao ruído pode causar perda auditiva.
- **Utilize os punhos auxiliares fornecido com a ferramenta.** A perda de controlo pode causar ferimentos.

- **Utilize grampos ou outro sistema prático para fixar e apoiar a peça numa plataforma estável.** Segurar a peça com a mão ou contra o corpo pode causar instabilidade e perda de controlo.
- **Antes de utilizar os dispositivos de fixação em paredes, tectos ou chãos, verifique a localização de cablagem e tubos.**
- **A utilização pretendida está descrita neste manual de instruções.**
- **A utilização de qualquer acessório ou a realização de qualquer operação com este equipamento que não esteja incluída no presente manual de instruções pode representar um risco de ferimentos e/ou danos materiais.**

## Segurança de outras pessoas

- Esta ferramenta não deve ser utilizada por pessoas (incluindo crianças) que apresentem capacidades físicas, sensoriais ou mentais reduzidas ou que não possuam os conhecimentos e a experiência necessários, excepto se forem vigiadas e instruídas acerca da utilização do equipamento por uma pessoa responsável pela sua segurança.
- As crianças devem ser vigiadas para que não mexam no equipamento.

## Riscos residuais

Quando utilizar a ferramenta, podem ocorrer riscos residuais adicionais que não constam nos avisos de segurança incluídos. Estes riscos podem resultar de má utilização, uso prolongado, etc. Mesmo com a aplicação das regulamentações de segurança relevantes e implementação de dispositivos de segurança, existem alguns riscos residuais que não podem ser evitados. Estes incluem:

- Ferimentos causados pelo contacto com peças em rotação/movimento.
- Ferimentos causados durante a troca de peças, lâminas ou acessórios.
- Ferimentos causados pela utilização prolongada de uma ferramenta. Quando utilizar uma ferramenta durante períodos prolongados, certifique-se de que faz pausas regularmente.
- Danos auditivos.
- Os problemas de saúde causados pela inalação de poeiras resultantes da utilização da ferramenta (exemplo: trabalhos em madeira, especialmente carvalho, faia e MDF).

## Vibração

Os valores de emissão de vibração declarados na secção de dados técnicos e na declaração de conformidade foram medidos de acordo com o método de teste padrão fornecido pela EN62841e podem ser utilizados para comparar ferramentas.

O valor de emissão de vibração pode ser também utilizado numa avaliação precoce à exposição.

**Atenção!** O valor de emissão de vibração durante a utilização da ferramenta eléctrica pode ser diferente do valor declarado, dependendo da maneira como a ferramenta é utilizada. O nível de vibração pode aumentar para um valor superior ao indicado.

Quando avaliar a exposição a vibração para determinar as medidas de segurança exigidas pela norma 2002/44/CE para proteger as pessoas que utilizam ferramentas eléctricas com frequência, deve ser efectuada uma estimativa da exposição a vibração, as condições de utilização e a maneira como a ferramenta é utilizada, incluindo a consideração todas as fases do ciclo de funcionamento, por exemplo, o número de vezes que a ferramenta é desligada e quando funciona ao ralento, além do tempo de accionamento.

### Etiquetas colocadas na ferramenta

Os seguintes pictogramas, assim como o código de data, estão indicados na ferramenta:



**Atenção!** Para reduzir o risco de ferimentos, o utilizador deve ler o manual de instruções.



Utilize protecção auditiva com berbequins de percussão. A exposição ao ruído pode causar perda auditiva.



Não olhe fixamente para a lâmpada de operação

### Instruções de segurança adicionais para baterias e carregadores

#### Baterias

- Nunca tente abrir a bateria, seja qual for o motivo.
- Não exponha a bateria à água.
- Não a armazene em locais onde a temperatura possa exceder os 40 °C.
- Carregue apenas a temperaturas ambiente entre 10 °C e 40 °C.
- Carregue apenas com o carregador fornecido com a ferramenta.
- Quando eliminar as baterias, siga as instruções da secção "Protecção do ambiente".

#### Carregadores

- Utilize o carregador STANLEY FATMAX apenas para carregar a bateria na ferramenta respectiva. Outras baterias podem rebentar, provocando ferimentos e danos.
- Nunca tente carregar baterias não recarregáveis.
- Substitua os cabos defeituosos imediatamente.

- Não exponha o carregador à água.
- Não abra o carregador.
- Não manipule o interior do carregador.



O carregador deverá ser utilizado apenas em espaços interiores.



Leia o manual de instruções antes da utilização.



Não tente carregar baterias danificadas.

### Segurança eléctrica



O carregador tem um isolamento duplo, pelo que não é necessário um fio de terra. Verifique sempre se a tensão de alimentação corresponde à tensão indicada na placa sinalética. Nunca substitua a unidade do carregador por uma tomada de alimentação normal.

- Se o cabo de alimentação estiver danificado, deve ser substituído pelo fabricante ou por um centro de assistência autorizado da STANLEY FATMAX para evitar acidentes.



**Atenção!** Nunca substitua a unidade do carregador por uma tomada de alimentação normal.

### Características

Este equipamento inclui algumas ou todas as seguintes funções.

1. Gatilho
2. Botão de avanço/recuo
3. Botão de ajuste de binário
4. Alavanca de velocidades de dupla amplitude
5. Mandril sem chave
6. Bateria
7. Botão de desbloqueio da bateria
8. Luz de trabalho LED

### Utilização



**Atenção!** Deixe a ferramenta funcionar ao seu próprio ritmo. Não a sobrecarregue.

### Carregar a bateria (Fig. A)

A bateria precisa de ser carregada antes da primeira utilização e sempre que não consiga produzir energia suficiente em trabalhos habitualmente feitos sem dificuldade. A bateria pode aquecer quando carregar; isto é normal e não indica um problema.



**Atenção!** Não carregue a bateria a temperaturas ambiente inferiores a 10 °C ou superiores a 40 °C. Temperatura de carregamento recomendada: aproximadamente 24 °C.



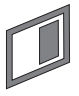
**Nota:** O carregador não irá carregar a bateria se a temperatura das células for inferior a 10 °C ou superior a 40 °C.

**A bateria não deve ser retirada do carregador para que este comece a carregar automaticamente quando a temperatura das células aquecer ou arrefecer.**

**Nota:** Para assegurar o máximo desempenho e vida útil das baterias de iões de lítio, carregue a bateria totalmente antes de utilizar o produto pela primeira vez.

- Ligue o carregador (9) numa tomada adequada antes de inserir a bateria (6).
- O indicador luminoso de carga (9a) verde pisca de maneira contínua, o que significa que o processo de carga foi iniciado.
- A conclusão do processo de carga é indicada pelo indicador luminoso de carga verde (9a), que permanece ligado de maneira contínua. A bateria (6) é totalmente carregada e pode ser removida nesta altura ou pode deixá-la no carregador.
- As baterias descarregadas devem ser carregadas no espaço de 1 semana. A vida útil de uma bateria diminuirá muito se for guardada descarregada.

### Modos do LED do carregador

|  |   |   |
|--|---|---|
|    | <b>A carregar:</b><br>LED verde intermitente                                    |    |
|    | <b>Totalmente carregada:</b><br>LED verde fixo                                  |    |
|  | <b>Retardação de calor/frio:</b><br>LED verde intermitente<br>LED vermelho fixo |  |

**Nota:** O(s) carregador(es) compatível(eis) não carrega(m) uma bateria defeituosa. Se a bateria estiver defeituosa, o indicador luminoso do carregador não se acende.

**Nota:** Isto pode também indicar que se trata de um problema no carregador. Se o carregador indicar uma falha, leve o carregador e a bateria um centro de assistência autorizado para que sejam submetidos a um teste.

### Deixar a bateria no carregador

O carregador e a bateria podem permanecer ligados com o LED aceso indefinidamente. O carregador irá manter a bateria completamente carregada.

### Retardação de calor/frio

Quando o carregador detecta que uma bateria está demasiado quente ou demasiado fria, inicia de imediato a retardação de calor/frio, o LED verde (9a) começa a piscar de maneira intermitente e o LED vermelho (9b) permanece aceso de maneira contínua, suspendendo o carregamento até a bateria atingir uma temperatura adequada. Em seguida, o carregador muda automaticamente para o modo de carga. Esta função assegura a duração máxima da bateria.

### Indicador do estado de carga da bateria (Fig. B)

A bateria inclui um indicador do estado de carga para determinar rapidamente a duração da bateria, como indicado na Figura B. Ao pressionar o botão de estado de carga (6a), pode visualizar facilmente a carga restante na bateria, como indicado na Figura B.



### Inserir e retirar a bateria da ferramenta



**Atenção!** Certifique-se de que o botão de bloqueio está na posição correcta para impedir a activação accidental do interruptor de funcionamento, antes de retirar ou instalar a bateria.

### Instalar a bateria (Fig. C)

- Insira a bateria com firmeza na ferramenta até ouvir um clique, como indicado na Figura C. Certifique-se de que a bateria está totalmente inserida e fixada na respectiva posição.

### Retirar a bateria (Fig. D)

- Pressione o botão de libertação da bateria (7), como indicado na Figura D e retire a bateria da ferramenta.

### Gancho da correia (funcionalidade opcional) (Fig. E, F)



**Atenção!** Para reduzir o risco de lesões pessoais graves, coloque o botão de avanço/recuo na posição de desbloqueio ou então desligue a ferramenta e retire a bateria antes de efectuar quaisquer ajustes ou remover/instalar dispositivos complementares ou acessórios. Um arranque accidental pode causar lesões.



**Atenção!** Para reduzir o risco de ferimentos graves, utilize o gancho da correia (10) da ferramenta APENAS para fixar a ferramenta num cinto de trabalho. NÃO utilize o gancho da correia para amarrar ou prender a ferramenta a uma pessoa ou objecto durante a utilização. NÃO suspenda a ferramenta nem pendure objectos no gancho da correia.





**Atenção!** Para reduzir o risco de ferimentos graves, certifique-se de que o parafuso (11) que prende o gancho da correia está fixo.

**Nota:** Quando montar ou substituir o gancho da correia (10), utilize apenas o parafuso (11) fornecido para o efeito. Certifique-se de que o parafuso fica bem apertado.

O gancho da correia (10) pode ser montado, encaixando-o nas ranhuras (12) em qualquer lado da ferramenta utilizando apenas o parafuso (11) fornecido, adaptado tanto para pessoas esquerdinas como destros. Se não for necessário utilizar o gancho, pode removê-lo da ferramenta. Para deslocar o gancho da correia, retire o parafuso (11) que fixa o gancho da correia (10) no respectivo local e depois volte a montá-lo no lado oposto.

Certifique-se de que o parafuso (11) fica bem apertado.

**Nota:** Estão disponíveis vários ganchos de correr e configurações de armazenamento.

Visite o nosso Website [www.stanleytools.eu/3](http://www.stanleytools.eu/3) para obter mais informações.

### Mandril sem chave (Fig. G)



**Atenção!** Antes de retirar ou instalar acessórios, certifique-se de que retirou a ferramenta para impedir a activação accidental do interruptor de funcionamento.

Inserir uma ponta de broca ou outro acessório:

- Segure no mandril (5) e rode-o na direcção contrária ao dos ponteiros do relógio, visto a partir da extremidade do mandril.
- Insira a broca ou outro acessório (13) por completo no mandril e aperte com firmeza, rodando o mandril na direcção dos ponteiros do relógio, da perspectiva da extremidade do mandril.



**Atenção!** Não tente apertar ou soltar as brocas (ou qualquer outro acessório) segurando na parte frontal do mandril e ligando a ferramenta.

Pode danificar o mandril ou provocar ferimentos ao trocar acessórios.

### Gatilho e botão de avanço/recuo (Fig. H)

- O berbequim é ligado e desligado puxando e libertando o gatilho (1) indicado na Figura H. Quanto maior for a pressão do gatilho, maior será a velocidade do berbequim.
- O botão de controlo para a frente/para trás (2) determina a direcção de rotação da ferramenta e funciona também como botão de desbloqueio.
- Para seleccionar a marcha directa, liberte o gatilho e empurre o botão de controlo de avanço/recuo no lado direito da ferramenta.
- Para seleccionar a marcha inversa, liberte o botão de controlo de avanço/recuo no lado esquerdo da ferramenta.

- A posição central do botão de controlo bloqueia a ferramenta na posição Desligar. Se alterar a posição do botão de controlo, certifique-se de que liberta o interruptor.

### Ajustar o controlo do binário (Fig. I)

Esta ferramenta é fornecida com um botão de ajuste de binário (3) para seleccionar o modo de funcionamento e definir o binário para apertar parafusos. Parafusos grandes e materiais duros requerem uma definição de binário mais alta do que parafusos pequenos e materiais mais macios.

- Para perfurar madeira, metal e plásticos, coloque o botão (3) na posição com o símbolo de perfuração.
- Para apertar parafusos, coloque o botão na posição desejada. Se ainda não souber qual a posição apropriada, proceda da seguinte forma:
  - ◆ Coloque o botão na posição de binário mínimo.
  - ◆ Aperte o primeiro parafuso.
  - ◆ Se o mecanismo forçar antes de atingir o resultado desejado, aumente a posição do botão e continue a apertar o parafuso.
  - ◆ Repita até atingir a posição correcta.
  - ◆ Utilize esta posição para os restantes parafusos.

### Interruptor de duas velocidades (Fig. J)

A função de duas velocidades do seu berbequim permite mudar de velocidade para uma maior versatilidade.

- Para seleccionar a velocidade baixa, definição de binário elevado (posição 1), desligue a ferramenta e aguarde até esta parar. Faça deslizar o botão de mudança de velocidade (4) no sentido oposto ao do mandril.
- Para seleccionar a velocidade alta, definição de binário baixo (posição 2), desligue a ferramenta e permita que a mesma pare. Faça deslizar o botão de mudança de velocidade para o mandril.

**Nota:** Não altere a velocidade quando a ferramenta estiver em funcionamento. Se tiver dificuldade em mudar de velocidade, certifique-se de que o botão de mudança de velocidade dupla está totalmente empurrado para a frente ou para trás.

### Aparafusar

- Para apertar parafusos, o botão para a frente/para trás deve estar posicionado para o lado esquerdo.
- Utilize o botão para trás (botão pressionado para a direita) para retirar os parafusos.

**Nota:** Quando alternar entre o modo de avanço ou recuo, liberte sempre primeiro o gatilho.

### Perfuração

- Utilize apenas pontas de brocas afiadas.
- Apoie e fixe a peça correctamente, de acordo com as instruções de segurança.
- Utilize equipamento de segurança adequado e necessário, de acordo com as instruções de segurança.



- Apoie e fixe a área de trabalho, de acordo com as instruções de segurança.
- Coloque o berbequim a funcionar lentamente, até o furo ser iniciado o suficiente para impedir que a broca deslize.
- Aplique pressão em linha recta com a broca. Aplique pressão suficiente para manter a broca a perfurar e para não encravar o motor ou desviar a broca.
- Segure o berbequim com firmeza com ambas as mãos, uma no punho e a outra a segurar na parte inferior à volta da bateria ou do punho auxiliar, caso tenha sido fornecido.
- **NÃO PRESSIONE O GATILHO DE UM BERBEQUIM BLOQUEADO PARA TENTAR O ARRANQUE. DAÍ PODEM RESULTAR DANOS NO BERBEQUIM.**
- Minimize o encravamento na abertura do orifício, reduzindo a pressão e perfurando devagar na última parte do orifício.
- Mantenha o motor em funcionamento enquanto puxa a broca para fora de um orifício efectuado. Isto ajudará a reduzir o encravamento.
- Certifique-se de que o interruptor liga e desliga o berbequim.

**Perfurar madeira**

Os orifícios na madeira podem ser efectuados com as mesmas brocas utilizadas para perfurar metal ou com brocas espada. Estas brocas deverão estar afiadas e devem ser retiradas do orifício frequentemente, quando em utilização para limpar lascas das ranhuras.

**Perfurar em metal**

Utilize um lubrificante de corte para perfuração de metais. As excepções incluem ferro fundido e latão, que devem ser perfurados a seco. Os lubrificantes de corte que obtêm melhores resultados são o óleo de corte sulfurado.

**Luz de trabalho LED (Fig. H)**

Quando pressione o gatilho (1) para activar o berbequim, a luz de trabalho LED (8) integrada ilumina automaticamente a área de trabalho.

**Nota:** A luz de funcionamento permite iluminar a superfície de trabalho imediata e não se destina a ser utilizada como lanterna.

**Resolução de problemas**

| Problema   | Causa possível  | Possível solução  |
|--|---|---|
| A unidade não é iniciada.                                    | A bateria não pode ser montada correctamente.<br><br>A bateria não pode ser carregada.  | Verifique a instalação da bateria.<br><br>Verifique os requisitos para carregar a bateria   |
| A unidade é iniciada de imediato depois de inserir a bateria | O interruptor foi deixado na posição "ligado".  | O interruptor deve ser colocado na posição "desligado" para impedir que a ferramenta seja iniciada de imediato quando a bateria for inserida.   |
| A bateria não irá ser carregada.                             | Bateria não introduzida no carregador.<br><br>Carregador não ligado.<br><br>A temperatura de ar circundante é demasiado quente ou fria.   | Introduza a bateria no carregador até que o LED se acenda.<br><br>Ligue o carregador à tomada.<br><br>O carregador e a bateria devem estar a uma temperatura de ar circundante superior a 45 °C ou inferior a +40,5 °C) |
| A unidade desliga-se de maneira abrupta.                     | A bateria atingiu o limite térmico máximo.<br><br>Sem carga. (Para maximizar a duração da bateria, esta foi concebida para desligar-se de maneira abrupta quando a carga ficar esgotada | Aguarde até a bateria arrefecer.<br><br>Instale o carregador e aguarde até o equipamento estar carregado.   |

**Manutenção**

A ferramenta STANLEY FATMAX foi concebida para funcionar durante um longo período de tempo com uma manutenção mínima. Uma utilização continuamente satisfatória depende de uma manutenção apropriada da ferramenta e de uma limpeza regular.

O carregador não requer manutenção, além do processo de limpeza normal.



**Atenção!** Antes de ser realizada qualquer operação de manutenção na ferramenta, retire a bateria da ferramenta. Desligue o carregador antes de o limpar.

- Limpe regularmente as aberturas de ventilação do ferramenta e o carregador com uma escova suave ou um pano seco.
- Limpe regularmente o compartimento do motor com um pano húmido.
- Não utilize produtos de limpeza abrasivos ou à base de solventes.

## Proteger o meio ambiente



Faça uma recolha de lixo selectiva. Os produtos e baterias assinalados com este símbolo não devem ser eliminados em conjunto com resíduos domésticos normais.

Os produtos e as baterias contêm materiais que podem ser recuperados ou reciclados, reduzindo assim a necessidade de matérias-primas.

Recicle os produtos eléctricos e as baterias de acordo com as disposições locais. Estão disponíveis mais informações em [www.2helpU.com](http://www.2helpU.com)

## Dados técnicos

|                               |                    | SFMC700      |
|-------------------------------|--------------------|--------------|
| Tensão                        | $V_{CC}$           | 18 V         |
| Velocidade sem carga          | Min. <sup>-1</sup> | 0-350/0-1500 |
| Binário máx.                  | Nm                 | 50           |
| Capacidade do mandril         | mm                 | 13           |
| Capacidade máx. de perfuração |                    |              |
| Aço/madeira/pedra             | mm                 | 13/35/13     |
| Peso                          | kg                 | 1,2          |

| Carregador        |          | SFMCB11 | SFMCB12 | SFMCB14 |
|-------------------|----------|---------|---------|---------|
| Tensão de entrada | $V_{CA}$ | 230     | 230     | 230     |
| Tensão de saída   | $V_{CC}$ | 18      | 18      | 18      |
| Corrente          | A        | 1,25    | 2       | 4       |

| Bateria    |          | SFMCB201      | SFMCB202      | SFMCB204      | SFMCB206      |
|------------|----------|---------------|---------------|---------------|---------------|
| Tensão     | $V_{CC}$ | 18            | 18            | 18            | 18            |
| Capacidade | Ah       | 1,5           | 2,0           | 4,0           | 6,0           |
| Tipo       |          | lões de lítio | lões de lítio | lões de lítio | lões de lítio |

### Nível de pressão acústica de acordo com a norma EN62841:

Pressão sonora ( $L_{pA}$ ): 70,0 dB(A), variabilidade (K): 5 dB(A)

Potência sonora ( $L_{WA}$ ): 81,0 dB(A), variabilidade (K): 5 dB(A)

### Valores totais de vibração (soma vectores triaxiais) de acordo com a norma EN62841:

Perfurar em metal ( $a_{h,D}$ ): 1,2 m/s<sup>2</sup>, variabilidade (K): 1,5 m/s<sup>2</sup>

## Declaração de conformidade da CE

DIRECTIVA "MÁQUINAS"



SFMC700 - Berbequim

A STANLEY Europe declara que os produtos descritos em "dados técnicos" estão em conformidade com as seguintes normas:

EN62841-1:2015, EN62841-2:2018+A11:2019.

Estes produtos estão também em conformidade com as directivas 2006/42/CE, 2014/30/UE e 2011/65/UE. Para obter mais informações, contacte a STANLEY Europe através da morada indicada em seguida ou consulte o verso do manual. Para obter mais informações, contacte a STANLEY FATMAX através da morada indicada a seguir ou consulte o verso do manual.

O abaixo assinado é responsável pela compilação do ficheiro técnico e faz esta declaração em nome da STANLEY FATMAX.

*Patrick Diepenbach*

Patrick Diepenbach

Director General, Benelux

Stanley Europe, Egide Walschaertsstraat 14-18,

2800 Mechelen, Bélgica

14/10/2021

## Garantia

A STANLEY FATMAX confia na qualidade dos seus produtos e oferece aos clientes uma garantia de 12 meses a partir da data de compra. Esta garantia é um complemento dos seus direitos estabelecidos por lei e não os prejudica de forma alguma. A garantia é válida nos Estados-membros da União Europeia e nos países-membros da Zona Europeia de Comércio Livre.

Para accionar a garantia, esta deve estar em conformidade com os termos e condições da STANLEY FATMAX e terá de apresentar comprovativos de compra ao vendedor ou a um técnico de reparação autorizado. Os termos e condições da garantia de 1 ano da STANLEY FATMAX e a localização do técnico de reparação autorizado mais próximo pode ser obtido na Internet em [www.2helpU.com](http://www.2helpU.com) ou contactando uma filial local da STANLEY FATMAX, cuja morada está indicada neste manual.

Visite o nosso Website [www.stanleytools.eu/3](http://www.stanleytools.eu/3) para registar o novo produto da STANLEY FATMAX e estar atualizado relativamente a novos produtos e ofertas especiais.

## Avsedd användning

Denna STANLEY FATMAX SFMCD700 borr/skruvdragare är avsedd för skruvdragnig och borning i trä, metall och plast. Apparaten är avsedd för såväl yrkesanvändare som privatkonsumenter.

## Säkerhetsinstruktioner

### Allmänna säkerhetsvarningar för elverktyg



**Varning! Läs alla säkerhetsanvisningar, instruktioner, illustrationer och specifikationer som levereras med detta elverktyg.** Underlåtenhet att följa nedanstående varningar och instruktioner kan resultera i elektrisk stöt, eldsvåda och/eller allvarlig personskada.

**Spara alla varningar och instruktioner för framtida referens.** Termen "elverktyg" i varningarna syftar på ditt starkströmsdrivna (sladdanslutna) elverktyg eller batteridrivna (sladdlösa) elverktyg.

1. **Säkerhet vid arbetsområdet**
    - a. **Håll arbetsområdet rent och ordentligt upplyst.** Belamrade eller mörka områden inbjuder till olyckor.
    - b. **Arbeta inte med elverktyg i explosiv atmosfär, såsom i närheten av brännbara vätskor, gaser eller damm.** Elektriska verktyg ge upphov till gnistor som kan antända dammet eller ångorna.
    - c. **Håll barn och åskådare borta medan du arbetar med ett elverktyg.** Distractioner kan göra att du förlorar kontrollen.
  2. **Elektrisk säkerhet**
    - a. **Kontakterna till elverktyget måste matcha uttaget. Modifiera aldrig kontakten på något sätt. Använd inte några adapterkontakter med jordanslutna (jordade) elektriska verktyg.** Icke modifierade kontakter och matchande uttag minskar risken för elektrisk stöt.
    - b. **Undvik kroppskontakt med jordanslutna eller jordade ytor såsom rör, värmeelement, spisar och kylskåp.** Det finns en ökad risk för elektrisk stöt om din kropp är jordansluten eller jordad.
    - c. **Utsätt inte elektriska verktyg för regn eller våta förhållanden.** Vatten som kommer in i ett elverktyg ökar risken för elektrisk stöt.
    - d. **Misshandla inte sladden. Använd aldrig sladden till att bära, dra eller koppla bort elverktyget från eluttaget. Håll sladden borta från värme, olja, skarpa kanter eller rörliga delar.** Skadade eller tilltrasslade sladdar ökar risken för elektrisk stöt.
  - e. **När du arbetar med ett elverktyg utomhus, använd en förlängningssladd som passar för utomhusanvändning.** Användning av en sladd som passar för utomhusanvändning minskar risken för elektrisk stöt.
  - f. **Om arbete med ett elverktyg i en fuktig lokal är oundvikligt, använd ett uttag som är skyddat med jordfelsbrytare (RCD).** Användning av en RCD minskar risken för elektrisk stöt.
3. **Personlig säkerhet**
    - a. **Var vaksam, ha koll på vad du gör och använd sunt förnuft när du arbetar med ett elverktyg. Använd inte ett elverktyg när du är trött eller påverkad av droger, alkohol eller mediciner.** Ett ögonblicks ouppmärksamhet när du arbetar med elektriska verktyg kan resultera i allvarlig personskada.
    - b. **Använd personlig skyddsutrustning. Använd alltid skyddsglasögon.** Skyddsutrustning såsom dammskyddsmask, halksäkra säkerhetsskor, skyddshjälm eller hörselskydd som används när förhållandena kräver det minskar personskador.
    - c. **Förebygg oavsiktlig start. Se till att strömbrytaren är i frånläge innan du ansluter till strömkällan och/eller batteripaketet, lyfter upp eller bär verktyget.** Att bära elektriska verktyg med fingret på strömbrytaren eller att koppla strömmen till elektriska verktyg som har strömbrytaren på är att provocera olyckor.
    - d. **Avlägsna eventuell justeringsnyckel eller skiftnyckel innan du sätter på elverktyget.** En skiftnyckel eller en nyckel som sitter kvar på en roterande del av elverktyget kan resultera i personskada.
    - e. **Sträck dig inte för långt. Ha ordentligt fotfäste och balans hela tiden.** Detta möjliggör bättre kontroll av elverktyget i oväntade situationer.
    - f. **Klä dig på lämpligt sätt. Bär inte lösa kläder eller smycken. Håll hår och kläder borta från delar i rörelse.** Lösa kläder, smycken eller långt hår kan fastna i rörliga delar.
    - g. **Om det finns anordningar för anslutning av apparater för dammsugning och uppsamling, se till att dessa är anslutna och används på ett korrekt sätt.** Användning av dammuppsamling kan minska dammrelaterade faror.
    - h. **Bli inte vårdslös och ignorera inte säkerhetsprinciperna trots att du är van att använda verktyg.** Vårdslöst handlande kan leda till allvarlig kroppsskada på en bråkdel av en sekund.

**4. Användning och skötsel av elverktyg**

- a. **Tvinga inte elverktyget. Använd det korrekta elverktyget för ditt arbete.** Rätt elverktyg gör arbetet bättre och säkrare vid den hastighet som det har konstruerats för.
- b. **Använd inte elverktyget om strömbrytaren inte kan slås på eller stängas av.** Ett elverktyg som inte kan kontrolleras med strömbrytaren är farligt och måste repareras.
- c. **Dra ur kontakten från strömkällan och/eller ta bort batteripaketet från elverktyget innan du gör några justeringar, byter tillbehör eller lägger elverktygen för förvaring.** Sådana förebyggande säkerhetsåtgärder minskar risken att oavsiktligt starta elverktyget.
- d. **Förvara elektriska verktyg som inte används utom räckhåll för barn, och låt inte personer som är obekanta med elverktyget eller med dessa instruktioner använda elverktyget.** Elektriska verktyg är farliga i händerna på utbildade användare.
- e. **Underhåll elverktyg och tillbehör. Kontrollera för feljustering eller om rörliga delar har fastnat, bristning hos delar och andra eventuella förhållanden som kan komma att påverka elverktygets funktion. Om det är skadat, se till att elverktyget blir reparerat före användning.** Många olyckor orsakas av dåligt underhållna elektriska verktyg.
- f. **Håll kapningsverktyg vassa och rena.** Det finns mindre risk att ordentligt skötta kapningsverktyg med vassa blad fastnar och de är lättare att kontrollera.
- g. **Använd elverktyget, tillbehör, bits m.m. enligt dessa anvisningar och ta hänsyn till arbetsvillkoren och arbetsmomenten.**  
Användningen av elverktyget för andra verksamheter än de som det är avsett för skulle kunna resultera i en farlig situation.
- h. **Se till att handtagen och greppytorna är torra och fria från olja och fett.** Håla handtag och greppytor förhindrar säker hantering och kontroll av verktyget i oväntade situationer.

**5. Användning och skötsel av batteridrivet verktyg**

- a. **Ladda endast med den laddare som rekommenderas av tillverkaren.** En laddare som passar en batterityp kan medföra brandrisk om den används ihop med ett annat batteri.
- b. **Använd elverktyget endast med batterier som är speciellt avsedda för ändamålet.** Användning av andra batterier kan leda till personskador eller eldsvåda.

- c. **När batteriet inte används ska du hålla det åtskilt från metallföremål som gem, mynt, nycklar, spik, skruvar och andra små metallföremål som kan orsaka kortslutning mellan batteriets poler.** Kortslutning av batteripolerna kan leda till brännskador eller eldsvåda.
- d. **Under olämpliga förhållanden kan vätska spruta ut från batteriet. Undvik kontakt. Vid oavsiktlig kontakt, spola med vatten. Om vätskan kommer i kontakt med ögonen, sök också läkarhjälp.** Vätska som sprutar ur batteriet kan orsaka sveda och brännskador.
- e. **Använd inte ett batteripaket eller ett verktyg som är defekt eller modifierat.** Defekta eller modifierade batterier kan fungera oförutsägbart och ge upphov till brand, explosion eller risk för kroppsskador.
- f. **Utsätt inte batteripaketet eller verktyget för eld eller höga temperaturer.** Utsättande för eld eller temperaturer över 130 °C kan orsaka en explosion.
- g. **Följ alla instruktioner gällande laddningen och ladda inte batteripaketet eller verktyget utanför det temperaturintervall som anges i bruksanvisningen.** Att ladda på fel sätt eller utanför det angivna temperaturintervallet kan skada batteriet och öka brandrisken.

**6. Service**

- a. **Se till att ditt elverktyg får service av en kvalificerad reparatör, som endast använder identiska ersättningsdelar.** Detta säkerställer att elverktygets säkerhet bibehålles.
- b. **Gör aldrig service på skadade batteripaket. Service av batteripaket bör endast genomföras av tillverkaren eller auktoriserade tjänsteleverantörer.**

**1) Säkerhetsinstruktioner för alla arbeten**

- a. **Stöd verktyget ordentligt innan användning.** Detta verktyg producerar ett högt vridmoment och utan korrekt stöd av verktyget under arbetet kan förlust av kontrollen resultera i personskador.
- b. **Håll elverktyget i de isolerade handtagen när arbeten utförs där sågtillbehöret kan komma i kontakt med dolda strömförande ledningar.** Skärande tillbehör som kommer i kontakt med en strömförande ledning kan göra att oskyddade metalldelar av elverktyget blir strömförande och kan ge användaren en elektrisk stöt.

**Säkerhetsinstruktioner när långa borrbits används**

- **Arbeta aldrig på högre hastighet än maximala hastighetsmärkningen på borrbitsen.** Vid högre hastigheter är sannolikheten att den böjs om den tillåts att rotera fritt utan kontakt med arbetsstycket vilket resulterar personskador.

- **Starta alltid borringen på låg hastighet och med bitsen i kontakt med arbetsstycket.** Vid högre hastigheter är sannolikheten att den böjs om den tillåts att rotera fritt utan kontakt med arbetsstycket vilket resulterar personskador.
- **Använd endast tryck i direkt linje med bitsen och använd inte överdrivet tryck.** Bits kan böjas och brytas sönder eller göra att kontrollen förloras vilket resulterar i personskador.
- **Bär hörselskydd när du använder slagborrar. Att utsättas för buller kan leda till hörselskador.**
- **Använd de extrahandtag som medföljer verktyget.** Tappad kontroll kan orsaka personskador.
- **Använd klämmor eller något annat praktiskt sätt att stödja arbetsstycket vid ett stabilt underlag.** Att hålla arbetet för hand eller mot kroppen är instabilt och kan göra att du förlorar kontrollen.
- **Innan du driver in fästen i väggar, golv eller tak ska du kontrollera om du riskerar att komma åt rör eller elledning.**
- **Avsedd användning beskrivs i denna bruksanvisning.**
- **Om andra tillbehör eller tillsatser används, eller om någon annan åtgärd än de som rekommenderas i den här bruksanvisningen utförs med verktyget kan personer och/eller egendom ta skada.**

#### Säkerhet för andra

- Verktyget ska inte användas av personer (inklusive barn) med nedsatt fysisk eller mental förmåga eller bristande erfarenhet och kunskap om de inte får vägledning och övervakas av en person som ansvarar för deras säkerhet.
- Barn ska hållas under uppsikt så att de inte leker med apparaten.

#### Återstående risker

När verktyget används kan återstående risker som inte nämns i de medföljande säkerhetsvarningarna uppstå. Dessa risker kan uppstå vid felaktig användning, långvarig användning, osv. Även om relevanta säkerhetsföreskrifter följs och säkerhetsanordningar monteras kan vissa risker inte undvikas. Dessa omfattar:

- Skador orsakade av att roterande/rörliga delar vidrörs.
- Skador som uppstår vid byte av delar, blad eller tillbehör.
- Skador som orsakas av långvarig användning av ett verktyg. När du använder ett verktyg under en längre bör du ta regelbundna pauser.
- Hörselnedsättning.
- Hälsorisker orsakade av inandning av damm när verktyget används (exempel: arbete med trä, särskilt ek, bok och MDF).

#### Vibrationer

De vibrationsvärden som anges i avsnitten Tekniska data och deklARATIONEN om överensstämmelse har uppmätts i enlighet

med en standardtestmetod föreskriven i EN62841och kan användas för jämförelse med andra verktyg.

De deklarerade vibrationsvärdena kan också användas för en preliminär bedömning av exponering.

**Varning!** Vibrationsvärdet under faktisk användning av elverktyget kan skilja sig från det deklarerade värdet, beroende på hur verktyget används. Vibrationsnivån kan överstiga den angivna nivån.

Vid bedömningen av vibrationsexponering för att fastställa de säkerhetsåtgärder som enligt 2002/44/EG krävs för att skydda personer som regelbundet använder elverktyg i arbetet, bör man beakta de faktiska användningsförhållandena, hur verktyget används och förutom den tid det är aktiverat, också beakta den tid som verktyget är avstängt och går på tomgång.

#### Etiketter på verktyget

Följande symboler tillsammans med datumkod finns på verktyget:



**Varning!** För att minska risken för personskada, måste användaren läsa bruksanvisningen.



Bär hörselskydd när du använder slagborrar. Att utsättas för buller kan leda till hörselskador.



Se inte på lampan

#### Ytterligare säkerhetsinstruktioner för batterier och laddare

##### Batterier

- Försök aldrig öppna batteriet.
- Utsätt inte batteriet för vatten.
- Förvara inte apparaten på platser där temperaturen kan bli högre än 40 °C.
- Ladda endast vid temperaturer mellan 10 °C och 40 °C.
- Ladda endast med hjälp av laddare som medföljer verktyget.
- Följ instruktionerna i avsnittet "Miljö" när du gör dig av med batterier.

##### Laddare

- Laddaren från STANLEY FATMAX får bara användas för att ladda batteriet i det verktyg som laddaren levererades med. Andra batterier kan spricka och orsaka personskador och andra skador.
- Försök aldrig att ladda ej uppladdningsbara batterier.
- Byt defekta sladdar omgående.
- Utsätt inte laddaren för vatten.
- Öppna inte laddaren.
- Gör ingen åverkan på laddaren.



Adaptren är endast avsedd för användning inomhus.



Läs bruksanvisningen före användning.



Försök inte ladda skadade batterier.

## Elektrisk säkerhet



Eftersom laddaren är dubbelisolerad behövs ingen jordledare. Kontrollera alltid att nätspänningen överensstämmer med spänningen på typskylten. Försök aldrig byta ut kontakten till laddaren mot en vanlig kontakt.

- Om nätsladden är skadad måste den bytas ut av tillverkaren eller ett auktoriserat STANLEY FATMAX-servicecenter för att undvika farliga situationer.



**Varning!** Försök aldrig byta ut kontakten till laddaren mot en vanlig kontakt.

## Egenskaper

Detta redskap har några eller samtliga av följande funktioner.

1. Strömbrytare
2. Knapp framåt/bakåt
3. Ring för justering av vridmomentet
4. Områdesväljare för dubbelväxel
5. Snabbchuck
6. Batteri
7. Batteriläsknapp
8. LED-arbetsbelysning

## Användning



**Varning!** Låt verktyget arbeta i sin egen takt. Överbelasta det inte.

### Ladda batteriet (blid A)

Batteriet måste laddas innan det används för första gången och sedan varje gång som det inte ger tillräckligt hög effekt för arbeten som annars brukar gå bra.

Batteriet kan bli varmt när det laddas. Det är normalt och innebär inte att något är fel.



**Varning!** Ladda inte batteriet om temperaturen i luften är lägre än 10 °C eller högre än 40 °C. Den rekommenderade laddningstemperaturen är cirka 24 °C.

**Notera:** Laddaren laddar inte batteriet om celltemperaturen är lägre än ungefär 10 °C eller högre än 40 °C.







Batteriet får då sitta kvar i laddaren, som kommer att börja laddningen automatiskt när celltemperaturen har

### stigit eller sjunkit.

**Notera:** För att garantera maximal prestanda och livslängd för Litium-jon batteripaketet bör batteripaketet laddas fullt innan första användning.

- Koppla in laddaren (9) i lämpligt uttag innan batteripaketet (6) sätts i.
- Den gröna laddningslampan (9a) kommer att blinka kontinuerligt för att indikera att laddningsprocessen har startat.
- Det går att se när laddningen är klar genom att den gröna lampan (9a) lyser kontinuerligt. Batteripaketet (6) är fulladdat och kan nu användas eller lämnas i laddaren.
- Urladdade batterier bör laddas inom 1 vecka. Om batterierna inte laddas när de är urladdade försämrar batteritiden avsevärt.

## Laddare LED-lägen

|   |  |  |
|---|--|--|
|  | <b>Laddar:</b><br>Grön blinkande LED-lampa                                     |  |
|  | <b>Fulladdad:</b><br>Grön LED fast sken  |  |
|  | <b>Varm/kall fördröjning:</b><br>Grön blinkande LED-lampa<br>Röd LED fast sken |  |

**Notera:** Den/de kompatibla laddar(en/na) kommer inte att ladda ett felaktigt batteri. Laddaren kommer att indikera ett felaktigt batteripaket genom att vägra lysa.

**Notera:** Detta kan också betyda att det är problem med en laddare. Om laddaren indikerar ett problem, låt testa laddaren och batteripaketet hos ett auktoriserat servicecenter.

### Lämna batteriet i laddaren

Batteriet kan sitta kvar i laddaren och laddaren kan vara ansluten till vägguttaget hur länge som helst när indikatorn lyser. Laddaren ser till att batteriet hålls fräscht och fulladdat.

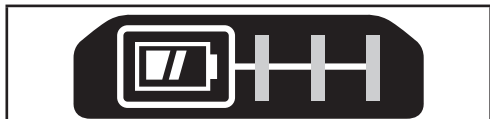
### Varm/kall fördröjning

När laddaren upptäcker ett batteri som är för varmt eller för kallt startar den automatiskt en varm/kall paketfördröjning, den gröna LED (9a) blinkar kontinuerligt medan den röda LED (9b) fortsätter att lysa kontinuerligt, laddningen skjuts upp tills batteriet har nått en lämplig temperatur. Laddaren växlar sedan automatiskt till paketladdningsläge. Denna funktion garanterar maximal batterilivslängd.



## Batteristatus med laddningsindikator (bild B)

Batteriet har en laddningsstatusindikator för att snabbt kunna avgöra kvarvarande batterilivslängd såsom visas i bild B. Genom att trycka på knappen för laddningsstatus (6a) kan du enkelt se kvarvarande laddning i batteriet såsom visas i bild B.



## Montering och borttagning av batteripaketet från verktyget

**Varning!** Innan du sätter i eller tar ut batterierna ska du kontrollera att läsreglaget är i låst läge, så att du inte råkar sätta på verktyget av misstag.

## Installera batteripaket (bild C)

- Sätt i batteripaketet i verktyget tills ett hörbart klick hörs, som visas på bild C. Se till att batteripaketet er helt isatt och låst på plats.

## Ta bort batteripaketet (bild D)

- Tryck på batterilåsknappen (7) såsom visas i bild D och dra ut batteripaketet från verktyget.

## Bälteskrok (extra tillbehör) (bild E, F)

**Varning!** För att minska risken för allvarlig personskada, placera framåt/bakåt-knappen i låst position eller stäng av verktyget och koppla bort batteripaketet innan du gör några justeringar eller tar bort/installerar tillsatser eller tillbehör. En oavsiktlig start kan orsaka skador.

**Varning!** För att minska risken för allvarliga personskador, använd ENDAST verktygets bälteskrok (10) för att hänga verktyg från arbetsbältet. Använd INTE bälteskroken för binda fast eller fästa verktyget till en person eller föremål under användning. Häng INTE verktyg över huvudet eller häng föremål i bälteskroken.

**Varning!** För att minska risken för allvarliga personskador, se till att skruven (11) som håller fast bälteskroken sitter fast ordentligt.

**Notera:** Vid montering eller byte av bälteskroken (10), använd endast den skruv (11) som medföljer. Se till att skruven dras åt ordentligt.

Bälteskroken (10) kan fästas genom att låta den glida in i öppningarna (12) på valfri sidan av verktyget med endast den skruv (11) som medföljer, för att anpassas för höger- eller vänsterhända användare. Om kroken inte önskas kan den tas bort från verktyget. För att ta bort bälteskroken, ta bort skruven (11) som håller bälteskroken (10) på plats och monter den sedan på motsatta sidan.

Se till att skruven (11) dras åt ordentligt.

**Notera:** Olika trackwall-krokar och lagringskonfigurationer finns tillgängliga.

Besök vår webbplats [www.stanleytools.eu/3](http://www.stanleytools.eu/3) för ytterligare information.

## Nyckellös chuck (bild G)

**Varning!** Innan du monterar eller tar bort tillbehör ska du kontrollera att batteripaketet är borttaget.

För att sätta in en borspets eller annat tillbehör:

- Håll chucken (5) och vrid den moturs såsom visas från chuckänden.
- För in bitsen eller annat tillbehör (13) helt i chucken och dra åt ordentligt genom att vrida chucken medurs såsom visas från chuckänden.

**Varning!** Försök inte att dra åt eller lossa borspetsar (eller något annat tillbehör) genom att greppa chuckens framdel och sätta igång verktyget.

Personskador eller skador på chucken kan uppstå om tillbehör byts på detta sätt.

## Avtryckare och framåt-/bakåtknapp - (bild H)

- Bormaskinen slås PÅ och stängs AV genom att trycka på eller släppa avtryckaren (1) såsom visas i bild H. Ju längre avtryckaren trycks in desto högre hastighet på bormaskinen.
- Med framåt-/bakåtknappen (2) väljer man verktygets riktning (höger-/vänstergång). Knappen fungerar även som låsknapp.
- För rotation höger släpp strömbrytaren och tryck på väljaren höger-/vänstergång på höger sida av verktyget.
- För rotation vänster tryck på väljaren höger-/vänstergång på vänster sida av verktyget.
- Den mittersta positionen låser verktyget i avstängt läge. Vid byte av position av kontrollknappen se till att avtryckaren är släppt.

## Inställning av vridmomentkontrollen (bild I)

Detta verktyg är utrustat med en inställningsring (3) för att välja driftläge och inställning av vridmomentet vid skruvdragning. Stora skruvar och dragning av skruvar i hårda material kräver ett högre vridmoment än små skruvar och mjuka material.

- Vid bormning i trä, metall och plast vrider du ringen (3) till läget med borsymbolen.
- Vid idragning av skruvar vrider du ringen till önskat läge. Om du inte vet vilket läge du ska välja gör du så här:
  - ◆ Ställ in ringen på det lägsta vridmomentet.
  - ◆ Dra åt den första skruven.
  - ◆ Om kopplingen slår ifrån innan önskat resultat är uppnått ökar du ringinställningen och fortsätter att dra åt skruven.
  - ◆ Upprepa tills du hittat rätt inställning.
  - ◆ Använd denna inställning med de återstående skruvarna.



## Dubbel lägesomkopplare (bild J)

Den här bormaskinen har två olika hastighetslägen, vilket gör den mer flexibel.

- För att välja en låg hastighet och högt vridmoment (position 1), stäng av verktyget och vänta tills det stannat. Skjut tillbaka hastighetsväljarknappen (4) bort från chucken.
- För att välja en hög hastighet och lågt vridmoment (position 2), stäng av verktyget och vänta tills det stannat. Skjut hastighetsväljaren framåt (mot chucken).

**Notera:** Flytta inte hastighetsväljaren när verktyget är påslaget. Om du har problem med att växla, se till att hastighetsväljarknappen är tryckt antingen helt framåt eller helt bakåt.

## Skrivdragning

- Vid idragning av fästdon ska knappen framåt/bakåt vara skjuten åt vänster.
- Använd bakåt (knappen skjuten åt höger) för borttagning av fästdon.

**Notera:** Vid ändring från framåt till bakåt eller vice versa, släpp alltid avtryckaren först.

## Borning

- Använd endast vassa bits.
- Stöd och fäst arbetsstycket ordentligt såsom instrueras i säkerhetsinstruktionerna.
- Använd lämplig säkerhetsutrustning som krävs såsom instrueras i säkerhetsinstruktionerna.
- Säkra och underhåll arbetsområdet såsom instrueras i säkerhetsinstruktionerna.
- Kör borren mycket sakta, använd lätt tryck tills hålet är tillräckligt stort för att hålla kvar borbittsen.
- Tryck i bitsens riktning. Tryck tillräckligt hårt för att bitsen ska borra, men inte så hårt att motorn stannar eller bitsen böjer sig.
- Håll bormaskinen fast med båda händerna, en hand på handtaget och den andra i ett grepp på undersidan runt batteriet eller extra handtaget om sådant finns.
- OM BORREN STANNAR SKA DU INTE FÖRSÖKA STARTA DEN IGEN GENOM ATT TRYCKA IN OCH SLÄPPA STRÖMBRYTAREN UPPREPADE GÅNGER. DETTA KAN SKADA BORRMASKINEN.
- Minska risken för att borren stannar vid genomborning genom att minska trycket och borra sakta den sista biten.
- Låt motorn vara igång medan du drar ut bitsen ur hålet. Då minskar risken för att verktyget kör fast.
- Se till att avtryckaren startar och stänger av bormaskinen.

## Borra i trä

Man kan borra i trä med samma borbiter som används för metallborring eller med borrar med sidoskär. Använd välslipade bits och dra ut dem med jämna mellanrum under borringen för att rensa bort spån från spåren.

## Borra i metall

Använd smörjolja vid borring i metall.

Undantaget är gjutjärn och mässing som bör borraras torrt. Sulfurerad skärolja fungerar bäst som skärolja.

## LED-arbetsbelysning (bild H)

När borren är aktiverad genom tryckning på avtryckaren(1) kommer den integrerade LED-arbetsbelysningen (8) automatiskt att lysa på arbetsområdet.

**Notera:** Arbetslampan är till för att belysa det omedelbara arbetsområdet och är inte avsedd att användas som ficklampa.

## Felsökning

| Problem  | Möjlig orsak  | Möjlig lösning   |
|--|---|--|
| Enheten startar inte.                            | Batteriet sitter inte rätt.<br><br>Batteriet är inte laddat.  | Se till att batteriet sitter som det ska.<br><br>Se till att batteriet är ordentligt laddat  |
| Enheten startar omedelbart när batteriet sätts i | Omkopplaren har lämnats i "på" positionen.  | Omkopplaren måste flyttas till "av" för att förhindra att verktyget startar omedelbart när batteriet sätts i.  |
| Batteriet går inte att ladda.                    | Batteriet är inte ordentligt infört i laddaren.<br><br>Laddaren är inte ansluten till elnätet.<br><br>Omgivande temperatur är för varm eller för kall.                                    | Sätt batteriet i laddaren så att LED lyser.<br><br>Anslut laddaren till ett fungerande eluttag.<br><br>Flytta laddaren och batteriet till en plats där temperaturen i den omgivande luften är över 4,5 °C eller under +40,5 °C |
| Enheten stängs av plötsligt.                     | Batteriet har nått dess maximala termiska gräns.<br><br>Slut på laddning. (För att maximera livslängden på batteripaketet är det designat att stängas av plötsligt när laddningen är slut | Låt batteripaketet svalna.<br><br>Placera på laddare och ladda.  |

## Underhåll

Ditt STANLEY FATMAX-verktyg har utformats för att fungera under lång tid med minimalt underhåll. Kontinuerlig tillfredsställande drift beror på ordentlig verktygsvård och regelbunden rengöring. Din laddare kräver ingen annan service än regelbunden rengöring.



**Varning!** Ta ut batteriet ur verktyget innan du utför något underhåll på verktyget. Dra ur sladden till laddaren innan du rengör den.

- Rengör regelbundet verktygets luftintag och laddaren med en mjuk borste eller torr trasa.

- Rengör kåpan regelbundet med en fuktigt trasa.
- Använd inga slipande eller lösningsmedelhaltiga rengöringsmedel.

## Att skydda miljön



Separat insamling. Produkter och batterier som är markerade med denna symbol får inte kastas in de vanliga hushållssoporna.

Produkter och batterier innehåller material som kan återvinnas och återanvändas för att minska behovet av råmaterial. Återvinn elektriska produkter och batterier enligt lokala bestämmelser. Närmare information finns tillgänglig på [www.2helpU.com](http://www.2helpU.com)

## Tekniska specifikationer

|                         |            | SFMC700      |
|-------------------------|------------|--------------|
| Spänning                | $V_{DC}$   | 18V          |
| Varvtal utan belastning | $Min^{-1}$ | 0-350/0-1500 |
| Max vridmoment          | Nm         | 50           |
| Chuckkapacitet          | mm         | 13           |
| Maximal borrkapacitet   |            |              |
| Stål/trä/murverk        | mm         | 13/35/13     |
| Vikt                    | kg         | 1,2          |

| Laddare     |          | SFMCB11 | SFMCB12 | SFMCB14 |
|-------------|----------|---------|---------|---------|
| Inspänning  | $V_{AC}$ | 230     | 230     | 230     |
| Utspänning  | $V_{DC}$ | 18      | 18      | 18      |
| Strömstyrka | A        | 1,25    | 2       | 4       |

| Batteri   |          | SFMCB201 | SFMCB202 | SFMCB204 | SFMCB206 |
|-----------|----------|----------|----------|----------|----------|
| Spänning  | $V_{DC}$ | 18       | 18       | 18       | 18       |
| Kapacitet | Ah       | 1,5      | 2,0      | 4,0      | 6,0      |
| Typ       |          | Li-jon   | Li-jon   | Li-jon   | Li-jon   |

| Ljudtrycksnivå enligt EN62841:                            |
|---|
| Ljudtryck ( $L_{pA}$ ) 70,0 dB(A), osäkerhet (K) 5 dB(A)  |
| Ljudeffekt ( $L_{WA}$ ) 81,0 dB(A), osäkerhet (K) 5 dB(A) |

| Totala vibrationsvärden (vektorsumman av tre axlar) fastställda enligt EN62841: |
|---|
| Borning i metall ( $a_{h,D}$ ) 1,2 $m/s^2$ , osäkerhet (K) 1,5 $m/s^2$          |

## EG-försäkran om överensstämmelse

MASKINDIREKTIVET



SFMC700 - borr

STANLEY Europe garanterar att produkterna som beskrivs under "Tekniska data" uppfyller:

EN62841-1:2015, EN62841-2-1:2018+A11:2019.

Dessa produkter överensstämmer även med direktiven 2006/42/EG, 2014/30/EU och 2011/65/EU. För mer information, var god kontakta STANLEY Europe på följande adress, eller se handbokens baksida.

För mer information, kontakta STANLEY FATMAX på följande adress eller se baksidan av manualen.

Undertecknad är ansvarig för sammanställning av den tekniska filen och gör denna förklaring på STANLEY FATMAX vägnar.

*Patrick Diepenbach*

Patrick Diepenbach  
General Manager, Benelux  
Stanley Europe, Egide Walschaertsstraat 14-18,  
2800 Mechelen, Belgien  
14/10/2021

## Garanti

STANLEY FATMAX är övertygad om kvaliteten hos denna produkt och erbjuder kunder 12 månaders garanti från inköpsdatumet. Denna garanti är ett tillägg till dina lagstadgade rättigheter och påverkar inte dessa på något sätt. Garantin är giltig områden som tillhör medlemsstaterna i Europeiska unionen och det europeiska frihandelsområdet. För yrkande under garantin måste yrkandet vara i enlighet med STANLEY FATMAX villkor och du kommer att behöva skicka in bevis på köpet till försäljaren eller en auktoriserad reparatör. Villkoren för STANLEY FATMAX 1-åriga garanti och var du hittar din närmaste auktoriserade reparatör kan erhållas på internet på [www.2helpU.com](http://www.2helpU.com), eller genom att kontakta ditt lokala STANLEY FATMAX-kontor på adressen som angetts i denna manual.

Gå till vår webbplats [www.stanleytools.eu/3](http://www.stanleytools.eu/3) för att registrera din nya STANLEY FATMAX-produkt och få uppdateringar om nya produkter och specialerbjudanden.

## Tiltenkt bruk

Din STANLEY FATMAX SFMCD700 drill/skrutrekker er utformet for bruk som skrutrekker og for boring i tre, metall og plast. Dette apparatet er tiltenkt både fagarbeidere og private brukere.

## Sikkerhetsinstruksjoner

### Generelle sikkerhetsadvarsler for elektriske verktøy



**Advarsel! Les alle sikkerhetsadvarsler, instruksjoner, illustrasjoner og spesifikasjoner som følger dette elektriske verktøyet.** Manglende overholdelse av advarslene og instruksjonene kan resultere i elektrisk sjokk, brann og/eller alvorlig skade.

### Lagre alle advarsler og instruksjoner for fremtidig bruk.

Uttrykket "elektrisk verktøy" i advarslene henviser til ditt strømdrevne (med ledning) elektriske verktøy eller ditt batteridrevne (uten ledning) elektriske verktøy.

#### 1. Sikkerhet på arbeidsområdet

- Hold arbeidsområdet rent og godt opplyst.** Rotete eller mørke områder er en invitasjon til ulykker.
- Ikke bruk verktøy i eksplosive omgivelser, slik som i nærheten av antennelige væsker, gasser eller støv.** Elektriske verktøy skaper gnister som kan antenne støv eller gasser.
- Hold barn og tilskuere borte mens du bruker elektriske verktøy.** Distraksjoner kan føre til at du mister kontrollen.

#### 2. Elektrisk sikkerhet

- Støpselet til elektriske verktøy må passe til stikkkontakten.** Aldri modifierer støpselet på noen måte. **Ikke bruk adaptere med jordede elektriske verktøy.** Umodifiserte støpsler og stikkontakter som passer vil redusere risikoen for elektrisk støt.
- Unngå kroppskontakt med jordete overflater slik som rør, radiatorer, komfyrer og kjøleskap.** Det er økt risiko for elektrisk støt dersom kroppen din er jordet.
- Ikke eksponer elektriske verktøy for regn eller våte forhold.** Dersom det kommer vann inn i et elektrisk verktøy vil det øke risikoen for elektrisk støt.
- Ikke bruk ledningen feil.** Aldri bruk ledningen til å bære, trekke eller dra ut støpselet til det elektriske verktøyet. Hold ledningen borte fra varme, olje, skarpe kanter eller bevegelige deler. Skadede eller flokede ledninger øker risikoen for elektrisk støt.
- Når du bruker et elektrisk verktøy utendørs, bruk en skjøteledning som er egnet for utendørs bruk.** Bruk av en skjøteledning beregnet for utendørs bruk reduserer risikoen for elektrisk støt.

- Dersom bruk av et elektrisk verktøy på et fuktig sted er uunngåelig, bruk en strømkilde med jordfeilbryter (RCD).** Bruk av jordfeilbryter (RCD) reduserer risikoen for elektrisk støt.

#### 3. Personlig sikkerhet

- Hold deg våken, hold øye med det du gjør og bruk sunn fornuft når du bruker et elektrisk verktøy.** Ikke bruk et elektrisk verktøy dersom du er trøtt eller er påvirket av medikamenter, narkotika eller alkohol. Ett øyeblikks uoppmerksomhet under bruk av elektriske verktøy kan føre til alvorlig personskade.
  - Bruk personlig verneutstyr. Bruk alltid vernebriller.** Verneutstyr slik som støvmaske, sklisikre vernesko, hjelm, eller hørselsvern brukt under passende forhold vil redusere personskader.
  - Unngå utilsiktet oppstart. Sikre at bryteren er i av-stillingen før du kobler til strømkilden og/eller batteripakken, plukker opp eller bærer verktøyet.** Å bære elektriske verktøy med fingeren på bryteren eller å sette inn støpselet mens elektriske verktøy har bryteren på øker faren for ulykker.
  - Fjern eventuelle justeringsnøkler før du slår på det elektriske verktøyet.** En nøkkel som er festet til en roterende del av det elektriske verktøyet kan føre til personskade.
  - Ikke strekk deg for langt. Ha godt fotfeste og stå støtt hele tiden.** Dette fører til at du har bedre kontroll over det elektriske verktøyet ved uventede situasjoner.
  - Bruk egnet antrekk. Ikke ha på deg løstsittende klær eller smykker.** Hold hår, antrekk og hansker borte fra bevegelige deler. Løstsittende klær, smykker og langt hår kan bli fanget opp av bevegelige deler.
  - Hvis apparatet er utstyrt for tilkobling av støvutsugings- og -oppsamlingsinnretning, må du sørge for at disse er koblet til og ordentlig sikret.** Bruk av støvoppsamlere kan redusere støvrelaterte farer.
  - Ikke la kunnskap som du har fått fra hyppig bruk av verktøy la deg bli for selvsikker slik at du ignorerer verktøyets sikkerhetsprinsipper.** En tankeløs handling kan føre til alvorlig personskade på brøkdelen av et sekund.
- #### 4. Bruk og vedlikehold av elektriske verktøy
- Ikke bruk kraft på verktøyet. Bruk det elektriske verktøyet som situasjonen krever.** Det riktige elektriske verktøyet vil gjøre jobben bedre og tryggere ved den hastigheten det ble konstruert for.
  - Ikke bruk verktøyet hvis bryteren ikke kan slå verktøyet av eller på.** Ethvert elektrisk verktøy som ikke kan kontrolleres med bryteren er farlig og må repareres.

- c. **Koble støpselet fra strømkilden og/eller ta av batteripakken fra det elektriske verktøyet, hvis det er avtagbart, før du foretar noen justeringer, endrer tilbehør eller lagrer elektriske verktøy.** Slike preventive sikkerhetsforanstaltninger reduserer risikoen for å starte det elektriske verktøyet ved et uhell.
- d. **Lagre elektriske verktøy som ikke er i bruk, utilgjengelig for barn og la ikke personer som ikke er kjent med det elektriske verktøyet eller disse instruksjonene bruke det.** Elektriske verktøy er farlige i hendene på utrenede brukere.
- e. **Hold verktøy og tilbehør ved like. Kontroller om bevegelige deler er feiljustert eller fastskjært, om deler er ødelagt eller andre forhold som kan påvirke driften av verktøyet.** Dersom det er skadet, få verktøyet reparert før neste bruk. Mange ulykker forårsakes av dårlig vedlikeholdte verktøy.
- f. **Hold skjæreverktøy skarpe og rene.** Godt vedlikeholdte skjæreverktøy med skarpe skjærekanter setter seg mindre sannsynlig fast og er lettere å kontrollere.
- g. **Bruk elektroverktøy, tilbehør, verktøybits osv. i henhold til disse instruksjonene. Ta hensyn til arbeidsforholdene og arbeidet som skal utføres.** Bruk av det elektriske verktøyet for oppgaver som er forskjellige fra de som er tiltenkt kan føre til en farlig situasjon.
- h. **Hold håndtak og gripeflater tørre, rene og firk for fett olje og fett.** Glatte håndtak og gripeområder gir utrygg håndtering og manglende kontroll over verktøyet i uventede situasjoner.
5. **Bruk og stell av batteriverktøy**
- a. **Skal kun lades opp ved hjelp av batteriladeren spesifisert av produsenten.** En lader som passer for en type batteripakke kan føre til risiko for brann dersom den brukes på en annen batteripakke.
- b. **Bruk elektroverktøy bare med spesifikt angitte batteripakker.** Bruk av andre batteripakker kan føre til risiko for personskade og brann.
- c. **Når batteripakken ikke er i bruk, må du oppbevare den atskilt fra andre metallgjenstander som binders, mynter, nøkler, spiker, skruer eller andre små metallgjenstander som kan opprette en forbindelse fra en terminal til en annen.** Kortslutning av batteripolene mot hverandre kan føre til brannskader eller brann.
- d. **Ved feilaktig bruk kan det komme væske ut av batteriet, unngå kontakt med den. Dersom du kommer i kontakt med den, skyll av med vann. Dersom du får væsken i øynene, søk legehjelp.** Væske som kommer ut av batteriet kan føre til irritasjon eller brannskader.
- e. **Ikke bruk en batteripakke eller verktøy som er skadet eller modifisert.** Skadede eller modifiserte batterier kan oppføre seg uforutsigbart og føre til brann, eksplosjon eller fare for personskade.
- f. **Ikke utsett en batteripakke eller et verktøy for ild eller for høy temperatur.** Ild eller temperatur over 130 °C kan føre til en eksplosjon.
- g. **Følg alle anvisninger for lading og lad ikke batteripakken eller verktøyet ved temperaturer som avviker fra området spesifisert i bruksanvisningen.** Feilaktig lading eller lading ved temperaturer utenfor det angitte område kan skade batteriet og øker brannfaren.
6. **Service**
- a. **Få det elektriske verktøyet ditt vedlikeholdt av en kvalifisert reparatør som kun bruker originale reservedeler.** Dette vil sikre at verktøyet sikkerhet blir ivarett.
- b. **Utfør aldri vedlikehold på skadede batteripakker.** Vedlikehold av batteripakker skal kun utføres av produsenten eller autoriserte serviceverksteder.
- 1) **Sikkerhetsinstruksjoner for all bruk**
- a. **Hold verktøyet riktig før bruk.** Verktøyet leverer et høyt moment, og dersom man ikke holder verktøyet riktig under bruk kan tap av kontroll føre til personskader.
- b. **Hold det elektriske verktøyet kun i isolerte gripeoverflater når du utfører operasjoner hvor skjæreverktøyet kan komme i kontakt med skjulte ledninger.** Kuttutstyr som kommer i kontakt med en strømførende ledning kan føre til at eksponerte metalldeleer på elektroverktøyet blir strømførende, og kan gi operatøren støt.
- Sikkerhetsanvisninger ved bruk av lange drillbits**
- **Bruk aldri høyere hastighet enn maksimal angitt hastighet for drillbiten.** Ved høyere hastigheten har biten en tendens til å bøye seg dersom den roterer fritt uten kontakt med arbeidsstykket, det kan føre til personskade.
  - **Start alltid boringen ved lav hastighet og med tuppen av biten i kontakt med arbeidsstykket.** Ved høyere hastigheten har biten en tendens til å bøye seg dersom den roterer fritt uten kontakt med arbeidsstykket, det kan føre til personskade.
  - **Legg på trykk kun i rett linje med biten og ikke bruk for hardt trykk.** Biten kan bøye seg og føre til at den bryter eller at du mister kontrollen, som kan føre til personskade.
  - **Bruk hørselvern når du bruker slagdrill.** Å bli utsatt for støy kan forårsake hørselstap.
  - **Bruk hjelpehåndtak som følger med verktøyet.** Å miste kontroll kan forårsake personskade.

- **Bruk tvinger eller annen praktisk måte å sikre og holde arbeidsstykket på et stabilt underlag.** Å holde arbeidsstykket i hendene eller mot kroppen er ustabil og kan føre til at du mister kontroll.
- **Kontroller plasseringen av kabler og rør før du setter inn fester i vegger, gulv eller tak.**
- **Bruksområdet er beskrevet i denne bruksanvisning.**
- **Bruk av tilbehør eller utføring av oppgaver som ikke er anbefalt for verktøyet i denne håndboken, kan medføre fare for personskade og/eller skade på eiendom.**

### Sikkerhet for andre

- Det er ikke meningen at dette verktøyet skal brukes av personer (inkludert barn) med reduserte fysiske, sansemessige eller mentale evner, eller som mangler erfaring og kunnskap, med mindre de har fått oppfølging eller instruksjon når det gjelder bruken av apparatet, fra en person som er ansvarlig for deres sikkerhet.
- Barn må holdes under oppsyn, sørg for at de ikke leker med apparatet.

### Restrisikoer

Andre risikoer kan oppstå dersom du bruker verktøyet på en måte som ikke er beskrevet i de angitte sikkerhetsadvarsler. Disse risikoene kan bli forårsaket av feil bruk, langvarig bruk osv. Selv når du følger relevante sikkerhetsforskrifter og bruker sikkerhetsutstyr, er det visse gjenværende risikoer som ikke kan unngås. Disse inkluderer:

- Personskader som forårsakes av berøring av en roterende/bevegelig del.
- Personskader som forårsakes av at en del, et blad eller tilbehør endres.
- Personskader som forårsakes av langvarig bruk av et verktøy. Ved bruk av et verktøy i lengre perioder, pass på å ta regelmessige pauser.
- Hørselskader.
- Helsefarer som forårsakes av innånding av støv som dannes når du bruker verktøyet (eksempel: arbeid med tre, spesielt eik, bøk og MDF).

### Vibrasjon

Vibrasjonsemissjonsverdien som er angitt under tekniske data og samsvarserklæring, er blitt målt i henhold til en standard testmetode som er angitt i EN62841, og kan brukes til å sammenligne et verktøy med et annet.

De angitte vibrasjonsverdiene kan også brukes som en foreløpig vurdering av eksponeringen.

**Advarsel!** De virkelige vibrasjonsverdiene under bruk av elektroverktøyet kan avvike fra de oppgitte verdiene avhengig av hvordan verktøyet brukes. Vibrasjonsnivået kan øke over det angitte nivået.

Ved vurdering av vibrasjonseksponering for bestemmelse av sikkerhetstiltak i henhold til 2002/44/EU for beskyttelse av

personer som regelmessig bruker elektroverktøy i jobben, bør et estimat av vibrasjonseksponeringen ta hensyn til bruksforholdene og måten verktøyet brukes på, inkludert en vurdering av alle deler av arbeidsprosessen, så som varighet av bruk og tomgangstid i forhold til tid for virkelig bruk.

### Etiketter på verktøyet

Følgende symboler og datokode er vist på verktøyet:



**Advarsel!** For å redusere skaderisikoen, les bruksanvisningen.



Bruk hørselvern når du bruker skruverktøy med slag. Å bli utsatt for støy kan forårsake hørselstap.



Ikke stir på lampen

### Ytterligere sikkerhetsinstruksjoner for batterier og ladere

#### Batterier

- Forsøk aldri å åpne av noen årsak.
- Ikke utsett batteriet for vann.
- Oppbevar ikke på steder der temperaturen kan overskride 40 °C.
- Lad bare ved temperaturer mellom 10 °C og 40 °C.
- Bruk bare laderen som følger med apparatet.
- Følg instruksjonene i avsnittet "Miljø" når du skal kaste batterier.

#### Ladere

- STANLEY FATMAX-laderen skal bare brukes til å lade batteriet i apparatet som laderen kom sammen med. Andre batterier kan sprekke og føre til personskade og materiell skade.
- Prøv aldri å lade ikke-oppladbare batterier.
- Skift ut defekte ledninger umiddelbart.
- Ikke utsett laderen for vann.
- Ikke åpne laderen.
- Ikke stikk gjenstander eller fingre ned i laderen.



Laderen er bare beregnet for bruk innendørs.



Les denne håndboken før bruk.



Ikke forsøk å lade opp skadede batterier.

## Elektrisk sikkerhet



Denne laderen er dobbeltisolert. Jording er derfor ikke nødvendig. Kontroller alltid at nettspenningen er i overensstemmelse med spenningen på typeskiltet. Prøv aldri å skifte ut laderen med en vanlig nettplugg.

- Hvis strømledningen blir skadet, må den byttes av produsenten eller et autorisert TANLEY FATMAX-servicesenter for å unngå fare.



**Advarsel!** Prøv aldri å skifte ut laderen med en vanlig nettplugg.

## Funksjoner

Dette verktøyet har noen av eller alle funksjonene angitt under.

1. Utløserbryter
2. Fremover/bakover knapp
3. Momentjusteringsmansjett
4. Gir med to områder
5. Nøkkelløs chuck
6. Batteri
7. Batteriutløserknapper
8. LED-arbeidslampe

## Bruk



**Advarsel!** La verktøyet jobbe i sin egen hastighet. Ikke overbelast det.

## Lading av batteriet (figur A)

Batteriet må lades før første bruk og hver gang det ikke lenger gir nok strøm til jobber som tidligere lett ble utført.

Batteriet kan bli varmt under lading. Dette er normalt og innebærer ikke feil.



**Advarsel!** Ikke lad batteriet ved omgivelsestemperaturer under 10 °C eller over 40 °C. Anbefalt ladetemperatur er ca. 24 °C.

**Merk: Laderen vil ikke lade et batteri hvis celledemperaturen er under ca. 10 °C eller over 40 °C.**

**Du bør la batteriet stå i laderen. Laderen begynner å lade automatisk når celledemperaturen blir høyere eller lavere.**

**Merk:** For å sikre maksimum ytelse og levetid på Li-Ion batteripakker, lad batteripakken helt opp før første gangs bruk.

- Plugg inn laderen (9) i en passende stikkontakt før du setter inn batteripakken (6).
- Det grønne ladelyset (9a) blinker kontinuerlig som indikasjon på at ladeprosessen er startet.
- Fullført lading vises ved at det grønne ladelyset (9a) er PÅ kontinuerlig. Batteripakken (6) er da fullt oppladet og kan brukes, eller den kan bli stående i laderen.
- Lad utladete batterier innen 1 uke. Batterienes levetid vil bli mye mindre hvis de oppbevares utladet.

## LED-moduser for laderen

|  |  |  |
|--|--|--|
|  | <b>Lading:</b><br>Blinkende grønn LED  |  |
|  | <b>Fulladet:</b><br>Lysende grønn LED  |  |
|  | <b>Ventetid for varm/kald pakke:</b><br>Blinkende grønn LED<br>Lysende rød LED |  |

**Merk:** Kompatible ladere vil ikke lade en defekt batteripakke. Laderen vil indikere feil ved batteripakken ved at lyset ikke er på.

**Merk:** Dette kan også tyde på et problem med laderen. Dersom laderen indikerer et problem, ta med lader og batteripakke til et servicesenter for testing.

## La batteriet være i laderen

Laderen og batteripakken kan forbli tilkoblet med lysende lampe i ubegrenset tid. Laderen vil holde batteripakken klar og fulladet.

## Ventetid for varm/kald pakke

Når laderen oppdager et batteri som er for varmt eller for kaldt, vil den automatisk starte ventetid for varm/kald pakke, og det grønne LED-lyset (9a) vil blinke, mens det røde LED-lyset (9b) vil lyse kontinuerlig og stoppe ladingen inntil batteriet når riktig temperatur. Laderen vil deretter automatisk skifte til lademodus for pakken. Denne funksjonen sikrer maksimal levetid på batteriet.

## Batteriets ladeindikator (figur B)

Batteriet er utstyrt med en ladeindikator slik at man raskt kan se batterilevetiden som vist i figur B. Ved å trykke ladeindikatorknappen (6a) kan du enkelt se gjenværende batterilevetid som illustrert i figur B.



## Sette inn og ta av batteripakke på verktøyet



**Advarsel!** Pass på at låseknappen er i bruk for å hindre utilsiktet aktivering av bryteren før du tar ut eller setter inn et batteri.

## Installere batteripakken (figur C)

- Sett batteriet inn i verktøyet til du hører et klikk som vist på figur C. Forsikre deg om at batteripakken sitter helt inne og er låst i posisjon.



**Ta ut batteripakken (figur D)**

- Trykk på batteriutløserknappen (7) som vist på figur D og dra batteripakken ut av verktøyet.

**Beltekrok (valgfritt tilbehør) (Fig. E, F)**

**Advarsel!** For å redusere faren for alvorlig personskade, sett fremover/bakover knappen i låseposisjonen eller slå av verktøyet og kople fra batteripakken før du gjør justeringer eller fjerner/monterer tilbehør. Utsiktet oppstart kan føre til personskader.



**Advarsel!** For å redusere risikoen for alvorlige personskader, bruk KUN verktøyets beltekrok (10) til å henge verktøyet fra arbeidsbeltet. IKKE bruk beltekroken for å henge opp eller feste verktøyet til en person eller et objekt ved bruk. IKKE heng verktøyet over hodehøyde eller heng objekter fra beltekroken.



**Advarsel!** For å redusere faren for alvorlig personskade, sørg for at skruen (11) som holder beltekroken sitter godt.

**Merk:** Når du fester eller skifter ut beltekroken (10) må du kun bruke skruen (11) som medfølger. Påse at skruen strammes godt.

Beltekroken (10) kan festes ved å skli den inn i sporene (12) på en av sidene på verktøyet kun ved bruk av den medfølgende skruen (11), for å tilpasses venstre- og høyrehendte brukere. Dersom kroken ikke ønskes kan den fjernes fra verktøyet. For å flytte beltekroken, ta ut skruen (11) som holder beltekroken (10) på plass og monter den på den andre siden.

Påse at skruen (11) strammes godt.

**Merk:** Ulike kroker og lagingsløsninger for skinneveggsystemer er tilgjengelig.

Besøk vår webside [www.stanleytools.eu/3](http://www.stanleytools.eu/3) for mer informasjon.

**Nøkkelfri chuck (figur G)**

**Advarsel!** Pass på at batteripakken er fjernet for å hindre utilsiktet aktivering av verktøyet før du setter på eller tar av utstyr.

For å sette inn en drill-bit eller annet tilbehør:

- Hold i chucken (5), og dreii den mot klokken sett fra enden av chucken.
- Sett bor eller annet tilbehør (13) helt inn i borelåsen, og stram godt ved å vri borelåsen med klokken sett fra borelåssiden.



**Advarsel!** Ikke forsøk å stramme drill-bits (eller annet tilbehør) ved å gripe rundt fronten av chucken og deretter slå på verktøyet.

Det kan oppstå skade på borelåsen og personskade når tilbehør skiftes.

**Avtrekkerbryter og forover/bakoverknapp (Fig H)**

- Drillen slås PÅ og AV ved å dra og slippe avtrekkeren (1) som vist i figur H. Desto mer du trykker avtrekkeren, desto raskere går drillen.
- En kontrollknapp (2) for fremover/bakover bestemmer retningen på verktøyet og tjener også som låseknapp.
- For å velge rotasjon fremover, slipp avtrekkeren og trykk fremover/bakover kontrollknappen på høyresiden av verktøyet.
- For å velge bakover, trykk fremover/bakover kontrollknappen på venstre siden av verktøyet.
- Når kontrollknappen står i midten er verktøyet låst. Når du skifter kontrollknappens posisjon, påse at avtrekkeren er sluppet.

**Justering av dreiemomentkontrollen (Fig I)**

Dette verktøyet er utstyrt med en mansjett (3) for å velge bruksmodus og stille inn moment for å skru til skruer. Store skruer og arbeidsstykker i harde materialer krever høyere moment er små skruer og arbeidsstykker med bløte materialer.

- For boring i tre, metall og plast stilles mansjett (3) i stillingen med boresymbolet.
- Når apparatet brukes som skrutrekker, settes mansjett i ønsket stilling. Hvis du ikke vet hva som er riktig innstilling ennå, gå du frem slik:
  - ◆ Sett mansjett i stillingen for laveste moment.
  - ◆ Skru til den første skruen.
  - ◆ Hvis koblingen lager en klikkelyd før du oppnår ønsket resultat, øker du innstillingen av mansjett og fortsetter å stramme skruen.
  - ◆ Gjenta til du når korrekt innstilling.
  - ◆ Bruk denne innstillingen for de gjenværende skruene.

**To-trinnsbryter (Fig J)**

To-trinns fasiliteten gjør det mulig å skifte gir og gir dermed større fleksibilitet.

- Når du skal velge lav hastighet og høyt dreiemoment (posisjon 1), skru du verktøyet av og venter til det stopper. Skyv girskifterknappen (4) bort fra chucken.
- Når du skal velge høy hastighet og lavt dreiemoment (posisjon 2), skru du verktøyet av og venter til det stopper. Skyv girskifterknappen mot chucken.

**Merk:** Ikke skift gir når verktøyet er i gang. Dersom du har problemer med å skifte gir, pass på at to-trinns girskifter er skjovet enten helt forover eller helt bakover.

**Skruing**

- Når du setter inn skruer, skal knappen for fremover/bakover være skjovet til venstre.
- Bruk reversknappen (knappen trykkes til høyre) for å ta ut skruer.

**Merk:** Når du skifter fra forover til revers, slipp alltid avtrekkeren først.



## Boring

- Bruk kun skarpe drillbits.
- Støtt opp og fest arbeidsstykket godt, som angitt i sikkerhetsanvisningene.
- Bruk riktig og påkrevd sikkerhetsutstyr som anvist i sikkerhetsinstruksjonene.
- Sikre og vedlikeholde arbeidsområdet som beskrevet i sikkerhetsinstruksjonen.
- Kjør maskinen svært langsomt til hullet er dypt nok til å holde drillbiten fra å skli ut.
- Trykk i rett linje med boret. Bruk nok trykk til at boret biter, men ikke så mye at motoren stanser eller at boret skifter retning.
- Hold boremaskinen godt med begge hender, en hånd på håndtaket og den andre rundt bunnen rundt batteriet og ekstrahåndtaket, dersom montert.
- IKKE KLIKK MED BRYTEREN PÅ ET FASTKJØRT VERKTØY PÅ OG AV FOR Å FORSØKE Å STARTE DET. BOREMASKINEN KAN BLI SKADET.
- Reduser blokkering til et minimum ved gjennombrudd ved å redusere trykket og bore langsomt gjennom den siste delen av hullet.
- Hold motoren i gang mens du trekker boret ut av det borede hullet. Dette vil bidra til å redusere fastkjøring.
- Forsikre deg om at bryteren slår drillen på og av.

## Boring i tre

Hull i tre kan bores med de samme spiralborene som brukes til metall, eller med flate bor. Disse borene bør være skarpe og bør trekkes ut ofte under boringen så spon kan fjernes fra furene i boret.

## Bore i metall

Bruk et en skjærevæske for smøring ved boring i metall. Unntak er støpejern og messing som bør bores tørt. Smøremidlene som virker best, er svovelholdig skjæreoelje eller fettolje.

## LED-arbeidslampe (Fig H)

Når boremaskinen startes ved å trykke på avtrekkeren (1), vil den LED arbeidslampen (8) automatisk tennes og lyse opp arbeidsområdet.

**Merk:** Arbeidslyset er for å belyse den nærmeste arbeidsflaten, og er ikke ment å brukes som lykt.

## Feilsøking

| Problem  | Mulig årsak  | Mulig løsning   |
|--|--|---|
| Enheten starter ikke.                                      | Batteripakken er ikke satt inn riktig.<br><br>Batteripakken er ikke ladet.   | Kontroller innsettingen av batteripakken.<br><br>Kontroller kravene til ladning av batteripakken  |
| Enheten starter umiddelbart etter at batteriet er satt inn | Bryteren er satt i "på" posisjon.  | Bryteren må være satt til "av" for å hindre at verktøyet starter straks når batteriet settes inn.   |
| Batteripakken blir ikke ladet.                             | Batteripakken er ikke satt inn i laderen.<br><br>Laderen er ikke satt i stikkontakten.<br><br>Omgivelsestemperaturen er for varm eller kald.   | Sett batteripakken inn i laderen til LED-lyset lyser.<br><br>Sett laderen i en stikkontakt som virker.<br><br>Flytt laderen og batteriet til et sted med lufttemperatur over 4,5 °C eller under +40,5 °C. |
| Enheten stopper brått.                                     | Batteripakken har nådd sin maksimale temperaturgrense.<br><br>Ikke oppladet. (For å få lengst mulig levetid på batteriet, er batteripakken designet for å slå seg av straks den er utladet | La batteripakken kjøle seg.<br><br>Sett i laderen og la den lade seg opp.   |

## Vedlikehold

Ditt STANLEY FATMAX-verktøy er konstruert for å være i drift over lengre tid med et minimum av vedlikehold. For at den skal fungere tilfredsstillende over tid, er det viktig å sørge for riktig stell og regelmessig renhold.

Laderen krever intet annet vedlikehold enn regelmessig rengjøring.



**Advarsel!** Før du utfører vedlikehold på verktøyet, må du fjerne batteriet fra verktøyet. Fjern laderen fra stikkontakten før du rengjør den.

- Rengjør ventilasjonsåpningene i verktøyet og laderen jevnlig med en myk børste eller tørr klut.
- Rengjør motorhuset regelmessig med en fuktig klut.
- Ikke bruk skurende eller løsemiddelbaserte rengjøringsmidler.

## Beskyttelse av miljøet



Separat avfallshåndtering. Produkter og batterier merket med dette symbolet skal ikke kastes i vanlig husholdningsavfall.

Produkter og batterier inneholder materialer som kan gjenbrukes eller gjenvinnes for å redusere behovet for nye råmaterialer.

Vennligst lever elektrisk utstyr og batterier til gjenbruk i henhold til lokale retningslinjer. Mer informasjon finner du på [www.2helpU.com](http://www.2helpU.com)

## Tekniske data

|                     |                   | SFMC700      |
|---------------------|-------------------|--------------|
| Spenning            | $V_{DC}$          | 18V          |
| Ubelastet hastighet | $\text{Min}^{-1}$ | 0-350/0-1500 |
| Maks. dreiemoment   | Nm                | 50           |
| Chuck kapasitet     | mm                | 13           |
| Maks. borekapasitet |                   |              |
| Ståll/tre/mur       | mm                | 13/35/13     |
| Vekt                | kg                | 1,2          |

| Lader            |          | SFMCB11 | SFMCB12 | SFMCB14 |
|------------------|----------|---------|---------|---------|
| Inngangsspenning | $V_{AC}$ | 230     | 230     | 230     |
| Utgangsspenning  | $V_{DC}$ | 18      | 18      | 18      |
| Strøm            | A        | 1,25    | 2       | 4       |

| Batteri        |          | SFMCB201 | SFMCB202 | SFMCB204 | SFMCB206 |
|----------------|----------|----------|----------|----------|----------|
| Spenn-<br>ning | $V_{DC}$ | 18       | 18       | 18       | 18       |
| Kapa-<br>sitet | Ah       | 1,5      | 2,0      | 4,0      | 6,0      |
| Type           |          | Li-ion   | Li-ion   | Li-ion   | Li-ion   |

| Lydtrykknivå i henhold til EN62841:                       |
|---|
| Lydtrykk ( $L_{pA}$ ) 70,0 dB(A), usikkerhet (K) 5 dB(A)  |
| Lydeffekt ( $L_{WA}$ ) 81,0 dB(A), usikkerhet (K) 5 dB(A) |

| Totale vibrasjonsverdier (vektorsum fra tre retninger) bestemt i samsvar med EN62841: |
|---|
| Boring i metall ( $a_{h,D}$ ) 1,2 $\text{m/s}^2$ , usikkerhet (K) 1,5 $\text{m/s}^2$  |

EU-samsvarserklæring  
MASKINERIDIREKTIV

SFMC700 - Drill

STANLEY Europe erklærer at de produktene som er beskrevet under "tekniske data" er i samsvar med: EN62841-1:2015, EN62841-2-1:2018+A11:2019.

ThDisse produktene er også i samsvar med direktiv 2006/42/EC, 2014/30/EU og 2011/65/EU. For mer informasjon, vennligst kontakt STANLEY Europe på følgende adresser eller se baksiden av håndboken.

Hvis du ønsker mer informasjon, kontakt STANLEY FATMAX på følgende adresse, eller se på baksiden av bruksanvisningen.

Undertegnede er ansvarlig for sammenstillingen av den tekniske filen og fremlegger denne erklæringen på vegne av STANLEY FATMAX.

Patrick Diepenbach  
General Manager, Benelux  
Stanley Europe, Egide Walschaertsstraat 14-18,  
2800 Mechelen, Belgia  
14/10/2021

## Garanti

STANLEY FATMAX er trygg på kvaliteten av produktene sine og tilbyr en 12 måneders garanti fra kjøpsdato. Denne garantien er et tillegg og endrer ikke dine rettigheter i henhold til loven. Garantien er gyldig innen områdene tilhørende medlemslandene i den Europeiske Union (EU) og det Europeiske Frihandelsområdet (EFTA). For å ta garantien i bruk må kravet være i samsvar med kjøpsbetingelsene fra STANLEY FATMAX og du må vise kjøpskvittering til forhandleren eller til et autorisert serviceverksted. Betingelsene for STANLEY FATMAX' 1-års garanti og adressen til din nærmeste autoriserte serviceverksted kan du finne på Internett under [www.2helpU.com](http://www.2helpU.com), eller ved å kontakte ditt lokale STANLEY FATMAX-kontor, adressen er angitt i denne bruksanvisningen.

Besøk våre nettsider på [www.stanleytools.eu/3](http://www.stanleytools.eu/3) for å registrere ditt nye STANLEY FATMAX-produkt og for å få informasjon om nye produkter og spesialtilbud.

## Tilsigtet brug

Din STANLEY FATMAX SFMCD700 bore/skruemaskine er designet til skruuepgaver samt til boring i træ, metal og plastik. Dette apparat er beregnet til erhvervsmæssige brugere og private ikke-erhvervsmæssige brugere.

## Sikkerhedsinstruktioner

### Generelle sikkerhedsadvarsler for elektrisk værktøj



**Advarsel! Læs alle sikkerhedsadvarsler, instruktioner, illustrationer og specifikationer, der følger med dette elværktøj.** Manglende overholdelse af de advarsler og instruktioner, der er anført nedenfor, kan medføre elektrisk stød, brand og/eller alvorlig personskade.

### Gem alle advarsler og instruktioner for fremtidig reference.

Termen "elværktøj" i advarselne refererer til dit elektroniske (ledning) eller batteribetjente (trådløse) elværktøj.

#### 1. Sikkerhed i arbejdsområdet

- Sørg for, at arbejdsområdet er rent og godt oplyst.** Rodede eller mørke områder giver anledning til ulykker.
- Brug ikke elværktøjer i områder med eksplosionsfare som f.eks. nær letantændelige væsker, gasser eller støv.** Elværktøj danner gnister, der kan antænde støv eller dampe.
- Hold børn og omkringstående på afstand, når der anvendes elektrisk værktøj.** Distractioner kan medføre, at du mister kontrollen.

#### 2. El-sikkerhed

- Stik på elektrisk værktøj skal passe til stikkontakten. Stikket må aldrig modificeres på nogen måde. Undlad at bruge adapterstik sammen med jordforbundet elektrisk værktøj.** Umodificerede stik og dertil passende stikkontakter reducerer risikoen for elektrisk stød.
- Undgå kropskontakt med jordforbundne overflader, såsom rør, radiatorer, komfurer og køleskabe.** Der er øget risiko for elektrisk stød, hvis din krop er jordforbundet.
- Undlad at udsætte elektrisk værktøj for regn eller våde forhold.** Hvis der trænger vand ind i et elektrisk værktøj, øges risikoen for elektrisk stød.
- Undlad at udsætte ledningen for overlast. Brug aldrig ledningen til at bære, trække værktøjet eller trække det ud af stikkontakten. Hold ledningen borte fra varme, olie, skarpe kanter og bevægelige dele.** Beskadigede eller sammenfiltrede ledninger øger risikoen for elektrisk stød.

- Når elektrisk værktøj benyttes udendørs, skal der anvendes en forlængerledning, som er egnet til udendørs brug.** Brug af en ledning, der er egnet til udendørs brug, reducerer risikoen for elektrisk stød.
- Hvis det ikke kan undgås at betjene et elektrisk værktøj i et fugtigt område, benyt en strømforsyning (RCD), der er beskyttet af en fejlstrømsafbryder.** Ved at benytte en fejlstrømsafbryder reduceres risikoen for elektrisk stød.

#### 3. Personlig sikkerhed

- Vær opmærksom, pas på hvad du foretager dig, og brug sund fornuft, når du benytter et elektrisk værktøj. Betjen ikke værktøjet, hvis du er træt, påvirket af narkotika, alkohol eller medicin.** Et øjeblikks uopmærksomhed under anvendelse af et elektrisk værktøj kan forårsage alvorlig personskade.
- Anvend personligt beskyttelsesudstyr. Bær altid beskyttelsesbriller.** Sikkerhedsudstyr, såsom støvmaske, skridsikre sikkerhedssko, sikkerhedshjelm eller høreværn, brugt når omstændighederne foreskriver det, reducerer omfanget af personskader.
- Undgå utilsigtet start. Sørg for, at der er slukket for kontakten, inden værktøjet tilsluttes en strømkilde og/eller batterienhed, samles op eller bæres.** Når elektrisk værktøj bæres med fingeren på kontakten eller tilsluttes, når kontakten er tændt, giver det anledning til ulykker.
- Fjern eventuelle justerings- eller skruenøgler, før det elektriske værktøj startes.** En skruenøgle eller anden nøgle, der bliver siddende på en roterende del af elektrisk værktøj, kan give anledning til personskade.
- Undlad at række for langt. Hold hele tiden en god fodstilling og balance.** Dette giver bedre kontrol af det elektriske værktøj, når uventede situationer opstår.
- Bær hensigtsmæssig påklædning. Bær ikke løst tøj eller smykker.** Hold dit hår og tøj væk fra bevægelige dele. Løstsiddende tøj, smykker eller langt hår kan blive fanget i bevægelige dele.
- Hvis der anvendes støvudsugnings- eller støvopsamlingsudstyr, skal dette tilsluttes og anvendes korrekt.** Anvendelse af støvopsamlingsudstyr kan begrænse farer forårsaget af støv.
- Lad ikke erfaringer fra hyppig brug af værktøjer medføre, at du bliver selvtilfreds og ignorerer sikkerhedsprincipperne for værktøjerne.** En skødesløs handling kan forårsage alvorlig skade i en brøkdelt af et sekund.

#### 4. Brug og pleje af elektrisk værktøj

- Undlad at bruge magt over for det elektriske værktøj. Brug det værktøj, der er bedst egnet til det arbejde, der skal udføres.** Værktøjet vil klare opgaven bedre og mere sikkert end den ydelse, som det er beregnet til.

- b. **Undlad at benytte værktøjet, hvis kontakten ikke tænder og slukker for det.** Alt elektrisk værktøj, der ikke kan kontrolleres med kontakten, er farligt og skal repareres.
- c. **Træk stikket ud af stikkontakten og/eller fjern batteripakken, hvis aftagelig fra det elektriske værktøj, før det elektriske værktøj justeres, dets tilbehør udskiftes, eller det stilles til opbevaring.** Sådanne forebyggende sikkerhedsforanstaltninger mindsker risikoen for, at værktøjet startes utilsigtet.
- d. **Opbevar elektrisk værktøj uden for rækkevidde af børn, og tillad ikke personer, som ikke er bekendt med dette elektriske værktøj eller disse instruktioner, at betjene værktøjet.** El-værktøj er farligt i hænderne på personer, som ikke er instrueret i brugen deraf.
- e. **Vedligehold elektrisk værktøj og tilbehør. Undersøg om bevægelige dele sidder skævt, binder eller er gået itu såvel som andre forhold, der kan påvirke betjeningen af elektriske værktøjer. Hvis det elektriske værktøj er beskadiget, skal det repareres før brug.** Mange ulykker er forårsaget af dårligt vedligeholdt værktøj.
- f. **Hold skæreværktøjer skarpe og rene.** Ordentligt vedligeholdt skæreværktøj med skarpe skærekanten har mindre tilbøjelighed til at binde og er lettere at styre.
- g. **Brug elværktøjet, tilbehøret, indsatsværktøj osv. i overensstemmelse med disse instruktioner under hensyntagen til arbejdsforholdene og arbejdet, der skal udføres med værktøjet.** Brug af elektrisk værktøj til andre opgaver end dem, det er beregnet til, kan resultere i en farlig situation.
- h. **Hold håndtag og håndtagsflader tørre, rene og fri for olie og smørelse.** Glatte håndtag og gribeblader giver ikke mulighed for sikker håndtering og styring af værktøjet i uventede situationer.
5. **Brug og pleje af batteriværktøj**
- a. **Genoplad kun værktøjet ved brug af den oplader, der er angivet af producenten.** En oplader, der passer til en type batteripakke, kan udgøre en risiko for brand, når den bruges til en anden type.
- b. **Brug kun elværktøj sammen med batteripakker, der er specifikt beregnet hertil.** Brugen af andre batteripakker kan medføre personskeade og brand.
- c. **Når batteripakken ikke er i brug, skal den holdes på afstand af andre metalgenstande, f.eks. papirclips, mønter, nøgler, søm, skruer og andre små metalgenstande, som kan skabe forbindelse mellem de to poler.** Kortslutning af batteriet kan forårsage forbrændinger eller brand.
- d. **Under grove forhold kan væske sive ud fra batteriet; undgå kontakt. Hvis der opstår kontakt ved et uheld, skyl med vand. Hvis væske kommer ind i øjnene, søg omgående lægehjælp.** Væske, der siver ud fra batteriet, kan fremkalde irritationer eller forbrændinger.
- e. **Anvend ikke en batteripakke eller et værktøj, der er beskadiget eller ændret.** Beskadigede eller ændrede batterier kan udvise uforudsigelig adfærd og resultere i brand, eksplosion eller risiko for skader.
- f. **Udsæt ikke en batteripakke eller et værktøj for ild eller meget varme temperaturer.** Udsættelse for ild eller temperaturer over 130 °C kan medføre en eksplosion.
- g. **Følg alle opladningsinstruktionerne og oplad ikke batteripakken eller værktøjet uden for det temperaturområde, der er anført i instruktionerne.** Forkert opladning eller opladning ved temperaturer uden for det specificerede område kan beskadige batteriet og øge risikoen for brand.
6. **Service**
- a. **Elektrisk værktøj skal serviceres af en kvalificeret servicetekniker, som udelukkende benytter identiske reservedele.** Derved sikres det, at værktøjets driftssikkerhed opretholdes.
- b. **Udfør aldrig service på beskadigede batteripakker. Service på batteripakker bør kun udføres af producenten eller autoriserede udbydere.**
- 1) **Sikkerhedsinstruktioner til al brug**
- a. **Støt værktøjet korrekt inden brug.** Dette værktøj producerer et højt udgangsmoment, og uden korrekt støtte af værktøjet under drift kan der forekomme tab af kontrol, hvilket resulterer i personskeade.
- b. **Hold kun fast i det elektriske værktøj på de isolerede håndtagsflader, når der skal saves i emner, hvor skæreværktøjet kan berøre skjulte ledninger.** Kommer skæreværktøjet i kontakt med en strømførende ledning, kan blotlagte metaldele på el-værktøjet gøres strømførende og give stød til brugeren.
- Sikkerhedsinstruktioner ved brug af lange borehoveder**
- **Arbejd aldrig ved højere hastighed end borehovedets nominelle maks. hastighed.** Ved højere hastigheder vil boret sandsynligvis blive bøjet, hvis det roterer frit uden at komme i kontakt med arbejdsemnet, hvilket resulterer i personskeade.
  - **Begynd altid at bore ved lav hastighed, og med borspidsen i kontakt med arbejdsemnet.** Ved højere hastigheder vil boret sandsynligvis blive bøjet, hvis det roterer frit uden at komme i kontakt med arbejdsemnet, hvilket resulterer i personskeade.

- **Påfør kun tryk i direkte linje med boret, og påfør ikke for meget tryk.** Bor kan bøje, hvilket forårsager ødelæggelse eller tab af kontrol, som kan resultere i personskade.
- **Bær høreværn ved slagboring. Udsættelse for støj kan medføre høretab.**
- **Brug de ekstra håndtag, der følger med værktøjet.** Tab af kontrol kan medføre personskade.
- **Brug klemmer eller en anden praktisk måde på at sikre og understøtte arbejdsområdet til et stabilt underlag.** Hvis du holder fast i arbejdsområdet med din hånd eller krop, vil det være ustabil, og det kan medføre, at du mister kontrollen over det.
- **Kontroller placeringen af ledninger og rør, inden der skrues beslag i vægge, gulve eller lofter.**
- **Den tilsigtede anvendelse er beskrevet i denne betjeningsvejledning.**
- **Brugen af ekstraudstyr eller tilbehør eller udførelse af opgaver med værktøjet ud over de i brugervejledningen anbefalede kan medføre risiko for personskade og/eller materiel skade.**

#### Andres sikkerhed

- Dette værktøj må ikke bruges af personer (herunder børn) med nedsatte fysiske, sensoriske eller mentale evner eller manglende erfaring og viden, medmindre det sker under overvågning, eller der gives instruktion i brugen af værktøjet af en person, der er ansvarlig for deres sikkerhed.
- Børn skal holdes under opsyn, så det sikres, at de ikke leger med værktøjet.

#### Restrisici

Yderligere restrisici kan opstå, når du bruger værktøjet på en måde, som måske ikke er indeholdt i de vedlagte sikkerhedsadvarsler. Disse risici kan opstå pga. forkert anvendelse, langvarig brug osv. Selv ved overholdelse af relevante sikkerhedsbestemmelser og anvendelse af sikkerhedsanordninger medfører brugen af save en række restrisici, som ikke kan undgås. Disse omfatter:

- Tilskadekomst forårsaget af berøring af roterende/bevægelige dele.
- Tilskadekomst forårsaget af udskitning af dele, blade eller tilbehør.
- Tilskadekomst forårsaget af langvarig brug af et værktøj. Når du bruger et værktøj i længere perioder, skal du sørge for at holde regelmæssige pauser.
- Hørenedsættelse.
- Sundhedsrisici forårsaget af indånding af støv, der genereres ved brug af værktøjet (eksempel: Arbejde med træ, især, eg, bøg og MDF.)

#### Vibration

De angivne værdier for udsendelse af vibration anført under de tekniske data og overensstemmelseserklæringen er målt i henhold til standardtestmetoden i EN62841 og kan bruges til at sammenligne ét værktøj med et andet.

Den deklarerede vibrationsemissionsværdi kan også anvendes i en foreløbig vurdering af eksponeringen.

**Advarsel!** Vibrationsemissionsværdien kan under faktisk brug af elværktøjet afvige fra den angivne værdi afhængigt af de måder, hvorpå værktøjet anvendes. Vibrationsniveauet kan stige til over det angivne niveau.

Ved vurdering af vibrationseksponeringen til at fastlægge de sikkerhedsforanstaltninger, der kræves af 2002/44/EC for at beskytte personer der regelmæssigt benytter elværktøj på arbejde, bør en vurdering af vibrationseksponeringen overvejes, de faktiske anvendelsesbetingelser og den måde, hvorpå værktøjet anvendes, herunder under hensyntagen til alle dele af drifts cyklussen som f.eks. de tidspunkter, hvor værktøjet er slukket, og når det kører i tomgang, udover udløsningsstiden.

#### Mærkatet på værktøjet

De følgende piktogrammer såvel som datokoden vises på værktøjet:



**Advarsel!** For at reducere risikoen for personskade bør du læse betjeningsvejledningen.



Bær høreværn ved slagboring. Udsættelse for støj kan medføre høretab.



Stær ikke på betjeningslampen

#### Yderligere sikkerhedsvejledninger for batterier og ladere

##### Batterier

- Forsøg aldrig at åbne den af en eller anden grund.
- Batteriet må ikke udsættes for fugt.
- Opbevar ikke på steder, hvor temperaturen kan overstige 40 °C.
- Fortag kun opladning ved omgivelsestemperaturer mellem 10 °C og 40 °C.
- Oplad kun ved hjælp af den medfølgende lader.
- Følg vejledningen i afsnittet "Miljøbeskyttelse" ved bortskaffelse af batterier.

##### Opladere

- Brug kun din STANLEY FATMAX-lader til at oplade batteriet i det værktøj, som den blev leveret sammen med. Andre batterier kan eksplodere og forårsage personskade og materiel skade.

- Forsøg aldrig at oplade ikke-genopladelige batterier.
- Udskift straks defekte ledninger.
- Laderen må ikke udsættes for fugt.
- Laderen må ikke åbnes.
- Undersøg ikke laderen.



Laderen er kun beregnet til indendørs brug.



Læs brugervejledningen, før værktøjet tages i brug.



Forsøg ikke at oplade beskadigede batterier.

## El-sikkerhed



Opladeren er dobbelt isoleret. Derfor er en jordledning ikke nødvendig. Kontroller altid, at netspændingen svarer til spændingen på typeskiltet. Forsøg aldrig at erstatte opladerenheden med et almindeligt netstik.

- Hvis netledningen beskadiges, skal den udskiftes af producenten eller et autoriseret STANLEY FATMAX-værksted, så farlige situationer undgås.



**Advarsel!** Forsøg aldrig at erstatte opladerenheden med et almindeligt netstik.

## Funktioner

Dette apparat leveres med nogle af eller alle de følgende funktioner.

1. Startknap
2. Forlæns-/baglænsknap
3. Momentjusteringsring
4. Dobbeltområdegeavælger
5. Patron uden nøgle
6. Batteri
7. Batteriets udløsningsknap
8. LED-arbejdslys

## Brug



**Advarsel!** Lad værktøjet arbejde i sit eget tempo. Overbelast det ikke.

## Opladning af batteriet (fig. A)

Batteriet skal oplades inden ibrugtagningen, og når det ikke leverer strøm nok til opgaver, der tidligere kunne udføres ubesværet.

Batteriet kan blive varmt under opladningen. Det er normalt og ikke tegn på problemer.



**Advarsel!** Oplad ikke batteriet ved omgivende temperaturer på under 10 °C eller over 40 °C. Den anbefalede opladningstemperatur er ca. 24 °C.




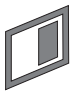


**Bemærk:** Opladeren oplader ikke et batteri, hvis dets temperatur er under ca. 10 °C eller over 40°C.

## Batteriet bør blive siddende i laderen, som automatisk begynder opladningen, når batteriet opvarmes/afkøles.

**Bemærk:** For at sikre maksimal ydeevne og levetid for li-Ion batteripakker skal batteripakken lades helt op, før den anvendes første gang.

- Indsæt opladeren (9) i en passende udgang, før batteripakken (6) indsættes.
- Den grønne opladningslampe (9a) vil blinke hele tiden og angive, at opladningsprocessen er startet.
- Når opladningen er færdig, vil det blive angivet af den grønne opladningslampe (9a), som vil lyse konstant på ON. Batteripakken (6) er fuldt opladet og kan nu anvendes eller kan efterlades i opladeren.
- Afladede batterier bør oplades inden for 1 uge. Batteriet levetid reduceres kraftigt, hvis batteriet opbevares i afladet tilstand.

## Tilstande af LED for opladning

|   |  |  |
|---|--|--|
|  | <b>Oplader:</b><br>Grøn LED Intermitterende                                    |  |
|  | <b>Helt opladet:</b><br>Grøn LED Fast  |  |
|  | <b>Varm/kold pakkeforsinkelse:</b><br>Grøn LED Intermitterende<br>Rød LED Fast |  |

**Bemærk:** Kompatible oplader(e) vil ikke oplade en defekt batteripakke. Opladeren vil angive en defekt batteripakke ved at nægte at lyse.

**Bemærk:** Dette kan også betyde et problem med opladeren. Hvis opladeren angiver et problem, tag opladeren og batteripakken med hen til et autoriseret servicecenter for at blive kontrolleret.

## Lad batteriet blive siddende i laderen

Du kan lade batteripakken sidde i laderen med tændt lysdiode, så længe det ønskes. Laderen holder batteripakken klar og fuldt opladet.

## Varm/kold pakkeforsinkelse

Når opladeren registrerer et batteri, der er for varmt eller for koldt, starter den automatisk en Varm/kold pakkeforsinkelse, den grønne LED (9a) blinker intermitterende, mens den røde LED (9b) forbliver tændt kontinuerligt, og den venter med opladning, indtil batteriet har nået en passende temperatur. Opladeren skifter derefter automatisk til pakkeopladningsfunktion. Denne funktion sikrer maksimal batterilevetid.



### Batteriets ladetilstandsindikator (Fig. B)

Batteriet indeholder en ladetilstandsindikator for hurtigt at afgøre batterilevetidens omfang, som vist i figur B. Hvis du trykker på ladetilstandsknappen (6a), kan du nemt se den resterende opladning i batteriet, som illustreret i figur B.



### Indsættelse og udtagning af batteripakken fra værktøjet

**Advarsel!** Sørg for, at låseknappen er aktiveret, for at forhindre utilsigtet aktivering af startknappen inden afmontering eller isætning af et batteri.

### Sådan installeres batteripakken (fig. C)

- Indsæt batteripakken helt ind i værktøjet, indtil du hører et klik som vist i figur C. Kontrollér at batteripakken sidder godt fast og er helt låst i position.

### Sådan udtages batteripakken (fig. D)

- Tryk batteriets udløserknop (7) ned som vist i figur D og træk batteripakken ud af værktøjet.

### Bæltekrog (ekstraudstyr) (fig. E, F)

**Advarsel!** For at reducere risikoen for alvorlige kvæstelser, anbring forlæns-/baglænsknappen i startspærreposition eller slå værktøjet fra og frakobel batteripakken, før der foretages nogen justeringer, eller der af-/påmonteres tilbehør eller ekstraudstyr. Start ved et uheld kan medføre skader.

**Advarsel!** For at reducere risikoen for alvorlig personskade må du KUN bruge værktøjets bæltekrog (10) til at hænge værktøjet fra et arbejdsbælte. Brug IKKE bæltekrogen til tøjring eller sikring af værktøjet til en person eller genstand under brug. Hæng IKKE værktøjet ovenover, og hæng IKKE genstande fra bæltekrogen.

**Advarsel!** For at mindske risikoen for alvorlige personskader skal du sikre, at skruen (11), der holder bæltekrogen, er fastskruet.

**Bemærk:** Ved fastgørelse eller udskiftning af bæltekrogen (10) må kun den medfølgende skruen (11) anvendes. Sørg for at spænde skruen godt. Bæltekrogen (10) kan monteres ved at skubbe den ind i åbningerne (12) på begge sider af værktøjet med den medfølgende skruen (11), så både venstre- og højrehåndede kan bruge den. Hvis krogen slet ikke skal bruges, kan den fjernes fra værktøjet. Du kan fjerne bæltekrogen ved at fjerne skruen (11), der holder bæltekrogen (10) på plads, og montere den igen på den anden side. Sørg for at spænde skruen (11) godt.

**Bemærk:** Der er forskellige tilgængelige vægskinnetroge og opbevaringskonfigurationer.

Besøg venligst vores websted [www.stanleytools.eu/3](http://www.stanleytools.eu/3) for yderligere oplysninger.

### Patron uden nøgle (fig. G)



**Advarsel!** Sørg for at batteripakken er fjernet, så aktivering af værktøjet forhindres inden montering eller afmontering af tilbehør.

Sådan indsætter du et borehoved eller andet tilbehør:

- Grib fat om patronen (5) og drej den mod uret set fra enden af patronen.
- Sæt boret eller andet tilbehør (13) helt ind i patronen og fastgør den godt ved at dreje patronen med uret som set fra enden af patronen.



**Advarsel!** Forsøg ikke at stramme eller løsne borehoveder (eller andet tilbehør) ved at gribe fat i den forreste del af patronen og dreje værktøjet.

Ved udskiftning af tilbehør kan der ske beskadigelse af patronen og personskeade.

### Udløserkontakt & forlæns-/baglænsknop (fig H)

- Boret slås til og fra ved at trække og slippe udløserkontakten (1) som vist i figur H. Jo mere der trykkes på udløseren, jo højere bliver boret hastighed.
- En forlæns-/baglæns styreknop (2) bestemmer værktøjets rotationsretning og virker også som en startspærreknop.
- Du vælger forlænsrotation ved at udløse udløserkontakten og trykke på forlæns-/baglæns reguleringsknappen på højre side af værktøjet.
- Du vælger omvendt ved at trykke på forlæns-/baglæns reguleringsknappen på venstre side af værktøjet.
- Midterpositionen på styreknappen låser værktøjet i off position. Når positionen på styreknappen ændres, sørg for at udløseren er udløst.

### Justering momentstyring (fig I)

Dette værktøj er udstyret med en krave til justering af drejemomentet (3) til valg af driftsfunktion og til indstilling af drejemomentet for fastspændingsskruer. Store skruer og hårde materialer kræver en højere indstilling af moment end små skruer og bløde materialer.

- Ved boring i træ, metal og plastic skal ringen (3) indstilles på boresymbolet.
- Ved skruetopgaver skal ringen indstilles på den ønskede position. Gå frem på følgende måde, hvis du er usikker på den rigtige position:
  - ◆ Indstil ringen på den laveste momentposition.
  - ◆ Skru den første skruen i.
  - ◆ Hvis det ønskede resultat ikke opnås, skal du øge ringens indstilling og fortsætte med at skrue skruen i.
  - ◆ Gentag fremgangsmåden, indtil du finder den rigtige indstilling.
  - ◆ Brug samme indstilling til de andre skruer.



## Dobbelt områdekontakt (fig J)

Den dobbelte områdefunktion på din boremaskine gør det muligt for dig at skifte gear til større alsidighed.

- Til valg af lav hastighed, indstilling af højt drejemoment (position 1), slå værktøjet fra og tillad at stoppe. Skub gearskifterknappen (4) tilbage fra patronen.
- Til valg af høj hastighed, indstilling af lavt drejemoment (position 2), slå værktøjet fra og tillad at stoppe. Skub gearskifterknappen tilbage imod patronen.

**Bemærk:** Skift ikke gear når værktøjet kører. Hvis du har problemer med at skifte gear, sørg for at den dobbelte områdegearskifterknap enten er skubbet helt fremad eller helt tilbage.

## Skruerboring

- Ved inddrivning af fastgørelser skal forlæns-/baglænsknappen skubbes til venstre.
- Brug baglænsknappen (knap skubbet til højre) for udtagning af fastgørelser.

**Bemærk:** Når flytning fra fremad til bagud eller omvendt, udløs altid først udløserkontakten.

## Boring

- Brug kun skarpe borehoveder.
- Understøt og sikr arbejdet korrekt som instrueret i sikkerhedsinstruktionerne.
- Brug passende og nødvendigt sikkerhedsudstyr, som instrueret i sikkerhedsinstruktionerne.
- Kontrollér og oprethold arbejdsområdet som instrueret i sikkerhedsinstruktionerne.
- Kør boret meget langsomt ved hjælp af et let tryk, indtil hullet startes tilstrækkeligt til at holde boret fra at glide ud af det.
- Øg trykket i lige linje med boret. Tryk tilstrækkeligt til, at boret stadig arbejder, men ikke så meget, at motoren bremses, eller boret afbøjes.
- Hold boret fast med to hænder, en hånd på håndtaget og den anden på bunden omkring batteriområdet eller på hjælpehåndtaget, hvis det er monteret.
- **KLIK IKKE PÅ UDLØSEREN PÅ ET STOPPET BOR TIL OG FRA I ET FORSØG PÅ AT STARTE DET. RESULTATET KAN BLIVE BESKADIGELSE AF BORET.**
- Minimér motorstop ved gennembrud ved at reducere trykket og bor langsomt gennem den sidste del af hullet.
- Lad motoren køre, mens du trækker boret ud af et borehul. Det mindsker risikoen for, at det sidder fast.
- Kontrollér at kontakten slår boret til og fra.

## Boring i træ

Der kan bores huller i træ med samme spiralbor, der bruges til metal, eller med fladbør. Borene skal være skarpe, og de skal hyppigt trækkes ud under boringen for at fjerne spåner fra borespiralen.

## Boring i metal

Brug et skæreoliesmøremiddel ved boring af metaller. Undtagelserne er støbejern og messing, der skal tørbøres. De smøremidler, der fungerer bedst, er svovlet skæreolie.

## LED-arbejdslys (fig. H)

Når boret er aktiveret ved træk i udløserkontakten (1), vil det integrerede LED arbejdslys (8) automatisk oplyse arbejdsområdet.

**Bemærk:** Arbejdslyset er til belysning af den aktuelle arbejdsoverflade og er ikke beregnet til brug som en lommelygte.

## Fejlsøgning

| Problem   | Mulig årsag   | Mulig løsning   |
|---|---|---|
| Enheden vil ikke starte.                            | Batteripakken er ikke installeret korrekt.<br><br>Batteriet er ikke opladet.  | Kontroller installationen af batteripakken.<br><br>Kontroller kravene til opladning af batteriet  |
| Enheden starter straks efter indsættelse af batteri | Kontakten er blevet efterladt i "on" position.  | Kontakten skal være flyttet til "off" for at forhindre, at værktøjet starter, lige så snart batteriet er indsat.  |
| Batteriet kan ikke oplades.                         | Batteripakken er ikke sat i opladeren.<br><br>Opladeren er ikke tilsluttet.<br><br>Omgivende lufttemperatur for varm eller for kold.  | Indsæt batteripakken i opladeren, indtil LED lyser.<br><br>Tilslut opladeren til en fungerende stikkontakt.<br><br>Flyt opladeren og batteripakken til en omgivende lufttemperatur på over 4,5 °C eller under +40,5 °C. |
| Enheden slukker brat.                               | Batteripakken har nået sin maksimale termiske grænse.<br><br>Ude af opladning. (For at maksimere batteripakkens levetid er den designet til brat at slukke, når opladningen er opbrugt) | Lad batteripakken køle ned.<br><br>Anbring den på opladeren og lad den lade op.   |

## Vedligeholdelse

Dit STANLEY FATMAX-værktøj er beregnet til brug gennem lang tid med et minimum af vedligeholdelse. Vedvarende tilfredsstillende funktion er afhængig af, om værktøjet plejes korrekt og rengøres regelmæssigt.

Din oplader kræver ingen vedligeholdelse bortset fra regelmæssig rengøring.



**Advarsel!** Tag batteriet ud af værktøjet, inden der foretages vedligeholdelse på værktøjet. Træk laderen ud af stikkontakten, før den rengøres.

- Rens jævnlige værktøjets og laderens ventilationshuller med en blød børste eller en tør klud.
- Rengør med jævne mellemrum motorhuset med en fugtig klud.

- Brug ikke et slibende eller opløsningsmiddel-baseret rengøringsmiddel.

## Miljøbeskyttelse



Særskilt bortskaffelse. Produkter og batterier mærket med dette symbol må ikke bortskaffes sammen med normalt husholdningsaffald.

Produkter og batterier indeholder materialer, der kan blive gendannet eller genanvendt og således reducere efterspørgslen efter råvarer.

Genbrug venligst elektriske produkter og batterier i henhold til lokale regulativer. Yderligere informationer findes på [www.2helpU.com](http://www.2helpU.com)

## Tekniske data

|                                |            | SFMC D700    |
|--------------------------------|------------|--------------|
| Spænding                       | $V_{DC}$   | 18V          |
| Hastighed ved ingen belastning | $Min^{-1}$ | 0-350/0-1500 |
| Maks. moment                   | Nm         | 50           |
| Patronkapacitet                | mm         | 13           |
| Maks. borekapacitet            |            |              |
| Stål/træ/murværk               | mm         | 13/35/13     |
| Vægt                           | kg         | 1,2          |

| Oplader          |          | SFMCB11 | SFMCB12 | SFMCB14 |
|------------------|----------|---------|---------|---------|
| Indgangsspænding | $V_{AC}$ | 230     | 230     | 230     |
| Udgangsspænding  | $V_{DC}$ | 18      | 18      | 18      |
| Strømstyrke      | A        | 1,25    | 2       | 4       |

| Batteri   |          | SFMCB201 | SFMCB202 | SFMCB204 | SFMCB206 |
|-----------|----------|----------|----------|----------|----------|
| Spænding  | $V_{DC}$ | 18       | 18       | 18       | 18       |
| Kapacitet | Ah       | 1,5      | 2,0      | 4,0      | 6,0      |
| Type      |          | Li-Ion   | Li-Ion   | Li-Ion   | Li-Ion   |

| Lydtrykniveau i henhold til EN62841: |                                    |
|--------------------------------------|------------------------------------|
| Lydtryk ( $L_{pA}$ )                 | 70,0 dB(A), usikkerhed (K) 5 dB(A) |
| Lydeffekt ( $L_{WA}$ )               | 81,0 dB(A), usikkerhed (K) 5 dB(A) |

| Samlede værdier for vibration (triaksial vektorsum) i henhold til EN62841: |  |
|--|--|
| Boring i metal ( $a_{h,D}$ )   | 1,2 $m/s^2$ , usikkerhed (K) 1,5 $m/s^2$ |

## EF-overensstemmelseserklæring

MASKINDIREKTIV



SFMC D700 - Bor

STANLEY Europe erklærer, at produkterne beskrevet under "Tekniske data" er i overensstemmelse med: EN62841-1:2015, EN62841-2-1:2018+A11:2019.

Disse produkter er endvidere i overensstemmelse med direktiv 2006/42/EF, 2014/30/EU og 2011/65/EU. Kontakt STANLEY Europe på følgende adresse for yderligere oplysninger eller se bagsiden af vejledningen.

Kontakt STANLEY FATMAX på nedenstående adresse, eller se vejledningens bagside for at få flere oplysninger. Undertegnede er ansvarlig for kompilering af den tekniske fil og udsteder denne erklæring på vegne af STANLEY FATMAX.

*Patrick Diepenbach*

Patrick Diepenbach  
General Manager, Benelux  
Stanley Europe, Egide Walschaertsstraat 14-18,  
2800 Mechelen, Belgien  
14/10/2021

## Garanti

STANLEY FATMAX er sikker på kvaliteten af sine produkter og giver forbrugerne en garanti på 12 måneder fra købsdatoen. Denne garanti er en tilføjelse til dine lovbefalede rettigheder. Garantien er gyldig inden for medlemsstaterne af Den Europæiske Union og Det Europæiske Frihandelsområde. Når du gør krav på garantien, skal kravet være i overensstemmelse med STANLEY FATMAX vilkår og betingelser, og du skal indsende dokumentation for købet til sælgeren eller til en autoriseret reparatør. Vilkår og betingelser for STANLEY FATMAX 1 års garanti og placeringen af dit nærmeste autoriserede serviceværksted kan fås på internettet på [www.2helpU.com](http://www.2helpU.com), eller ved at kontakte dit lokale STANLEY FATMAX kontor på den adresse, der er angivet i denne vejledning.

Besøg venligst vores websted [www.stanleytools.eu/3](http://www.stanleytools.eu/3) for at registrere dit nye STANLEY FATMAX-produkt og modtage opdateringer om nye produkter og specielle tilbud.

## Käyttötarkoitus

STANLEY FATMAX SFMCD700 -pora/ruuvinväännin on tarkoitettu ruuvien kiinnittämiseen sekä puun, metallin ja muovin poraamiseen. Laite on tarkoitettu sekä ammattietä yksityiskäyttöön.

## Turvaohjeet

### Sähkötyökalun yleiset turvallisuusvaroitukset



**Varoitus! Lue kaikki tämän laitteen mukana toimitetut varoitukset, käyttöohjeet, kuvat ja tekniset tiedot.** Jos alla olevia varoituksia ja ohjeita ei noudateta, on olemassa sähköiskun, tulipalon ja/tai vakavan henkilövahingon vaara.

**Tallenna kaikki varoitukset ja ohjeet myöhempää tarvetta varten.** Kaikissa alla olevissa varoituksissa on käytettävä sähkötyökaluilmausta viittaa verkkovirtaan yhdistettävään tai akkukäyttöiseen työkaluun.

#### 1. Työalueen turvallisuus

- Pidä työskentelyalue siistinä ja kirkkaasti valaistuna.** Onnettomuuksia sattuu herkemmin epäsiistissä tai huonosti valaistussa ympäristössä.
- Älä käytä sähkötyökaluja, jos on olemassa räjähdysvaara esimerkiksi syttyvien nesteiden, kaasujen tai pölyn vuoksi.** Sähkötyökalujen aiheuttamat kipinät voivat sytyttää pölyn tai kaasut.
- Pidä lapset ja sivulliset kaukana käyttäessäsi sähkötyökalua.** Keskittymiskyvyn herpaantuminen voi aiheuttaa hallinnan menettämisen.

#### 2. Sähköturvallisuus

- Pistokkeen ja pistorasian on vastattava toisiaan. Älä koskaan tee pistokkeeseen mitään muutoksia. Älä yhdistä maadoitettua sähkötyökalua jatkojohtoon.** Sähköiskun vaara vähenee, jos pistokkeisiin ei tehdä muutoksia ja ne yhdistetään vain niille tarkoitettuihin pistorasioihin.
- Älä kosketa maadoituksessa käytettäviin pintoihin, kuten putkiin, lämpöpattereihin ja jäähdytyslaitteisiin.** Voit saada sähköiskun, jos kehosi on maadoitettu.
- Älä altista sähkötyökaluja sateelle tai kosteudelle.** Sähkötyökaluun menevä vesi lisää sähköiskun vaaraa.
- Älä vaurioita sähköjohtoa. Älä kanna sähkötyökaluja sähköjohtosta tai vedä pistoketta pistorasiasta sähköjohtoon avulla. Pidä sähköjohto kaukana kuumuudesta, öljystä, terävistä reunoista tai liikkuvista osista.** Vaurioituneet tai sokeutuneet johdot lisäävät sähköiskun vaaraa.

- Jos käytät sähkötyökalua ulkona, käytä vain ulkokäyttöön tarkoitettua jatkojohtoa.** Ulkokäyttöön tarkoitettun sähköjohtoon käyttäminen vähentää sähköiskun vaaraa.
- Jos sähkötyökalua on käytettävä kosteassa paikassa, käytä vikavirtasuojaa.** Tämä vähentää sähköiskun vaaraa.

#### 3. Henkilökohtainen turvallisuus

- Käyttäessäsi sähkötyökalua pysy valppaana, keskity työhön ja käytä tervettä järkeä. Älä käytä tätä sähkötyökalua ollessasi väsynyt tai alkoholin, huumeiden tai lääkkeiden vaikutuksen alaisena.** Keskittymisen herpaantuminen hetkeksikin sähkötyökalua käytettäessä voi aiheuttaa vakavan henkilövahingon.
  - Käytä henkilösuojavarusteita. Käytä aina suojalaseja.** Hengityssuojaimen, liukumattomien turvajalkineiden, kypärän ja kuulosuojaimen käyttäminen vähentää henkilövahinkojen vaaraa.
  - Estä tahaton käynnistäminen. Varmista, että virtakytkin on OFF-asennossa, ennen kuin kytket sähkötyökalun pistorasiaan, yhdistät siihen akun, nostat sähkötyökalun käteesi tai kannat sitä.** Sähkötyökalun kantaminen sormi virtakytkimellä lisää onnettomuusvaaraa.
  - Poista kaikki säätöavaimet tai vääntimet ennen sähkötyökalun käynnistämistä.** Sähkötyökalun pyöryvään osaan jäänyt säätöavain tai väännin voi aiheuttaa henkilövahingon.
  - Älä kurkottele.** Huolehdi siitä, että sinulla on koko ajan tukeva jalansija ja hyvä tasapaino. Näin voit hallita sähkötyökalua paremmin odottamattomissa tilanteissa.
  - Pukeudu oikein. Älä käytä löysiä vaatteita tai koruja. Pidä hiukset ja vaatteet loitolla liikkuvista osista.** Löysät vaatteet, korut tai pitkät hiukset voivat tarttua liikkuviin osiin.
  - Jos käytettävissä on laitteita pölyn ottamiseksi talteen, käytä niitä.** Pölyn ottaminen talteen voi vähentää pölyn aiheuttamia vaaroja.
  - Vaikka käyttäisit usein erilaisia työkaluja, vältä liiallista itsevarmuutta ja huomioi aina työkalun turvallisuusohjeet.** Epähuomiossa suoritettujen toimenpiteiden voi johtaa vakaviin henkilövahinkoihin sekunnin murto-osassa.
- #### 4. Sähkötyökalusta huolehtiminen
- Älä kohdista sähkötyökaluun liikaa voimaa. Valitse käyttötarkoituksen kannalta oikea sähkötyökalu.** Sähkötyökalu toimii paremmin ja turvallisemmin, kun sitä käytetään sille suunniteltuun käyttötarkoitukseen.

- b. Älä käytä sähkötyökäluä, jos virtakytin ei toimi. Jos sähkötyökäluä ei voi hallita kytin avulla, se on vaarallinen ja se on korjattava.
- c. Katkaise sähkötyökäluästä virta ja/tai irrota sen pistoke pistorasiasta tai irrota akku (jos irrotettavissa) siitä ennen säätämistä, varusteiden vaihtamista tai sähkötyökäluän asettamista säilytykseen. Näin voit vähentää vahingossa käynnistymisen aiheuttaman henkilövahingon vaaraa.
- d. Varastoi sähkötyökäluja lasten ulottumattomissa. Älä anna sähkötyökäluihin tottumattomien tai näihin ohjeisiin perehtymättömien henkilöiden käyttää sähkötyökäluja. Sähkötyökäluat ovat vaarallisia kouluttamattomien käyttäjien käsissä.
- e. Varmista sähkötyökälujen ja lisävarusteiden hyvä kunto. Tarkista liikkuvat osat, niiden kiinnitys, osien eheys ja muut koneen toimintaan vaikuttavat tekijät. Jos havaitset vaurioita, korjauta sähkötyökälu ennen niiden käyttämistä. Huonosti kunnossapidetty sähkötyökäluat aiheuttavat onnettomuuksia.
- f. Pidä leikkaavat pinnat terävinä ja puhtaina. Kunnossa pidettyjen leikkaavien teräviä reunoja sisältävien työkalut todennäköisyys jumiutua vähenee, ja niitä on helpompi hallita.
- g. Käytä sähkötyökäluja, tarvikkeita, vaihtotyökäluja jne. näiden ohjeiden mukaisesti. Ota tällöin huomioon työolosuhteet ja suoritettava toimenpide. Jos sähkötyökäluä käytetään näiden ohjeiden vastaisesti, voi syntyä vaaratilanne.
- h. Pidä kahvat ja tartuntapinnat kuivina, puhtaina sekä öljyttöminä ja rasvattomina. Liukkaat kahvat ja pinnat heikentävät työkalun hallinnan ja ohjauksen turvallisuutta odottamattomissa tilanteissa.
5. Akkutyökäluän käyttö ja huolto
- a. Lataa vain valmistajan määrittämällä laturilla. Laturi, joka on sopiva yhden tyyppiselle akulle, voi aiheuttaa tulipalon vaaran, jos sitä käytetään toisen tyyppisellä akulla.
- b. Käytä sähkötyökäluä ainoastaan kyseiseen sähkötyökäluun tarkoitettua akkua. Muun tyyppisen akun käyttö saattaa johtaa loukkaantumiseen ja tulipaloon.
- c. Pidä irrallinen akku loitolla metalliesineistä, kuten paperiliittimistä, kolikoista, avaimista, nauloista, ruuveista tai muista pienistä metalliesineistä, jotka voivat aiheuttaa oikosulun akun navoissa. Akun napojen oikosulku voi aiheuttaa palovammoja tai tulipalon.
- d. Väärin käytetystä akusta voi vuotaa nestettä. Älä kosketa sitä. Jos nesteen kanssa joutuu kosketuksiin, huuhtelee vedellä. Jos nestettä joutuu silmiin, hakeudu lisäksi lääkärin hoitoon. Akusta roiskunut neste saattaa aiheuttaa ärsytystä tai palovammoja.
- e. Vaurioitunutta tai muokattua akkua tai laitetta ei saa käyttää. Vaurioituneissa tai muokatuissa akuissa voi esiintyä odottamattomia häiriöitä, jotka voivat aiheuttaa tulipaloja, räjähdysvaaroja tai henkilövahinkoja.
- f. Akku ja laite tulee suojata tullelta sekä liian korkealta lämpötilalta. Mikäli akku altistuu tullelle tai yli 130 °C lämpötilalle, seurauksena voi olla räjähdys.
- g. Noudata kaikkia latausohjeita, akkua tai laitetta ei saa ladata ohjeissa annettujen lämpötilavälien ulkopuolella. Virheellisen latauksen tai annettujen lämpötilavälien ulkopuolella lataamisen seurauksena akku voi vaurioitua ja tulipalovaara kasvaa.
6. Huolto
- a. Korjauta sähkötyökälu valtuutetulla asentajalla. Varaosina on käytettävä vain alkuperäisiä vastaavia osia. Täten taataan sähkötyökäluän turvallisuus.
- b. Vaurioituneita akkuja ei saa koskaan huoltaa. Ainoastaan valmistaja tai valtuutetut huoltoliikkeet saavat huoltaa akkuja.
- 1) Turvaohjeet kaikkia toimintoja käytettäessä
- a. Tartu työkaluun oikein ennen käyttöä. Tämä työkalu tuottaa suuren vääntömomentin, jos työkalua ei pidetä oikeaoppisesti käytön aikana, seurauksena voi olla hallinnan menetys ja henkilövahinko.
- b. Tartu kiinni koneen eristetyistä tartuntapinnoista, jos leikkausvälinettä käyttäessä on vaara osua piilossa oleviin johtoihin. Leikkaavien varusteiden osuminen jännitteeseen johtoon tekee sen paljaista metalliosista jännitteisiä, joten käyttäjä voi saada sähköiskun.
- 2) Turvavaroitukset pitkiä poranteriä käyttäessä
- a. Älä koskaan käytä poranterässä annettua maksiminopeutta suurempaa nopeutta. Jos nopeus on suurempi, terä voi vääntyä sen pyöriessä koskettamatta työkappaleeseen ja seurauksena voi olla henkilövahinko.
- b. Aloita poraaminen aina alhaisella nopeudella ja terän kärjen koskettaessa työkappaleeseen. Jos nopeus on suurempi, terä voi vääntyä sen pyöriessä koskettamatta työkappaleeseen ja seurauksena voi olla henkilövahinko.
- c. Kohdistaa painetta ainoastaan suorassa linjassa terään ja välttää liian suurta painetta. Terät voivat vääntyä aiheuttaen murtumisen tai hallinnan menetyksen ja täten henkilövahinkoja.
- Ruuvinvääntimien lisäturvavaroitukset
- Käytä kuulosuojaimia iskuporakonetta käyttäessäsi. Melulle altistuminen voi aiheuttaa kuulon menetyksen.
  - Käytä työkalun mukana toimitettuja apukahvoja. Hallinnan menetys voi aiheuttaa henkilövahingon.

- Käytä puristimia tai muuta käytännöllistä tapaa kiinnittää ja tukea työkappale tukevalle alustalle. Työn pitäminen käsin tai vartaloa vasten on epävakaata ja saattaa johtaa kontrollin menetykseen.
- Ennen kuin kiinnität kiinnittimiä seiniin, lattioihin tai kattoihin, tarkista sähköjohtojen ja putkien sijainti.
- Tarkoitettu käyttö on kuvattu tässä käyttöohjeessa.
- Käytä työkalua ainoastaan sellaiseen työhön, johon se on tarkoitettu, ja käytä vain käyttöohjeessa ja tuotekuvastossa suositeltuja tarvikkeita ja lisälaitteita. Ohjeesta poikkeava käyttö voi aiheuttaa henkilö- ja/ tai omaisuusvahinkoja.

### Muiden henkilöiden turvallisuus

- Tätä työkalua ei ole tarkoitettu sellaisten henkilöiden käyttöön, joilla on fyysisiä tai älyllisiä rajoitteita tai aistirajoitteita, eikä laitteen toimintaan perehtymättömien henkilöiden käyttöön (lapset mukaan luettuina), paitsi valvonnan alaisina, tai jos he ovat saaneet laitteen käyttöön liittyvää opastusta heidän turvallisuudestaan vastaavalta henkilöltä.
- Lapsia tulee valvoa ja varmistaa, että he eivät leiki laitteella.

### Jäännösriskit

Jäännösriskejä voi esiintyä käyttäessä muita kuin varoituksissa mainittuja työkaluja. Nämä riskit voivat liittyä muun muassa virheelliseen tai pitkäaikaiseen käyttöön. Asiaan kuuluvien turvamääräysten noudattamisesta ja turvalaitteiden käytöstä huolimatta tiettyjä jäännösriskejä ei voi välttää. Näitä ovat:

- pyörivien tai liikkuvien osien koskettamisen aiheuttamat vahingot
- osia, teriä tai lisävarusteita vaihdettaessa aiheutuneet vahingot
- työkalun pitkäaikaisen käytön aiheuttamat vahingot. Pidä säännöllisiä taukoja työkalun pitkäaikaisen käytön aikana.
- Kuulon heikkeneminen.
- Työkalua käytettäessä (esimerkiksi puuta, erityisesti tammea, pyökkiä ja MDF-levyjä, käsiteltäessä) syntyneen pölyn sisäänhengityksen aiheuttamat terveystarviket.

### Tärinä

Teknisissä tiedoissa ja vaatimustenmukaisuusvakuutuksessa ilmoitettu tärinäpäästöarvo on mitattu EN62841-standardin testausmenetelmän mukaisesti, ja arvoa voi käyttää työkalujen keskinäiseen vertailuun.

Ilmoitettua tärinän päästöarvoa voidaan käyttää myös alustavassa altistumisen arvioinnissa.

**Varoitus!** Todellinen tärinän päästöarvo sähkötyökalun käytön aikana voi poiketa ilmoitetusta arvosta työkalun käyttötavasta riippuen. Tärinätaaso voi olla ilmoitettua tasoa suurempi. Kun tärinälle altistumista arvioidaan direktiivin 2002/44/EY vaatimien turvallisuustoimien määrittämiseksi ja säännöllisesti sähkötyökalua käyttävien käyttäjien suojaamiseksi,

tärinän altistumisen arvioinnissa tulee huomioida todelliset käyttöolosuhteet sekä työkalun käyttötapa sekä kaikki käyttöjakson elementit (esim. työkalun sammutusajaj, tyhjäkäyntiajat sekä käynnistymisajat).

### Työkalun tarrat

Työkalu sisältää seuraavat kuvakkeet sekä päivämääräkoodin:



**Varoitus!** Loukkaantumisen riskin vähentämiseksi käyttäjän on luettava tämä käyttöohje.



Käytä kuulosuojaimia iskuporakonetta käyttäessäsi. Melulle altistuminen voi aiheuttaa kuulon menetyksen.



Älä tuujota toimintavaloa

### Akkua ja laturia koskevat lisäturvaohjeet

#### Akut

- Älä koskaan yritä avata mistään syystä.
- Älä altista akkua vedelle.
- Älä säilytä akkua tiloissa, joissa lämpötila voi nousta yli 40 °C:n.
- Lataa akku paikassa, jonka lämpötila on vähintään 10 °C ja enintään 40 °C.
- Lataa akku ainoastaan työkalun mukana toimitetulla laturilla.
- Noudata akkujen hävittämisessä kohdassa Ympäristönsuojelu esitettyjä ohjeita.

#### Laturit

- Käytä STANLEY FATMAX -laturia vain laitteen mukana toimitetun akun lataamiseen. Muut akut voivat räjähtää ja aiheuttaa henkilövahinkoja tai aineellisia vahinkoja.
- Älä koskaan yritä ladata akkuja, joita ei ole tarkoitettu ladattaviksi.
- Vaihda vialliset johdot välittömästi ehjiin.
- Älä altista laturia vedelle.
- Älä avaa laturia.
- Älä työnnä mitään laturin sisään.



Laturi on tarkoitettu ainoastaan sisäkäyttöön.



Lue käyttöohjeet huolellisesti ennen laitteen käyttöä.



Älä koskaan yritä ladata viallisia akkuja.

## Sähköturvallisuus



Laturi on kaksoiseristetty, joten erillistä maadoitusta ei tarvita. Tarkista aina, että verkkojännite vastaa arvokilvessä ilmoitettua jännitettä. Älä yritä korvata laturiyksikköä tavallisella verkkopistokeella.

- Jos virtajohto vahingoittuu, sen vaihtaminen on turvallisuussyistä jätettävä valmistajan tai valtuutetun STANLEY FATMAX -huollon tehtäväksi.



**Varoitus!** Älä yritä korvata laturiyksikköä tavallisella verkkopistokeella.

## Ominaisuudet

Tässä laitteessa on kaikki tai joitakin seuraavista ominaisuuksista.

1. Liipaisinkytkin
2. Suunnanvaihtopainike
3. Vääntömomentin säätörengas
4. Kaksiasentoinen nopeuskytkin
5. Pikaistukka
6. Akku
7. Akun vapautuspainike
8. LED-työvalo

## Käyttö



**Varoitus!** Anna laitteen käydä ilman kuormitusta. Vältä työkalun ylikuormittamista.

### Akun lataaminen (kuva A)

Lataa akku ennen ensimmäistä käyttökertaa ja aina silloin, kun se ei enää tuota riittävästi virtaa toimintoihin, jotka aikaisemmin hoituivat helposti.

Akku voi lämmetä ladattaessa. Tämä on normaalia, eikä se ole merkki mistään viasta.



**Varoitus!** Älä lataa akkua alle 10 °C tai yli 40 °C asteen lämpötilassa. Suositeltava latauslämpötila on 24 °C.

**Huomautus:** Laturi ei lataa akkua, jos akun kennon lämpötila on alle 10 °C tai yli 40 °C.

**Akku tulee kuitenkin jättää laturiin. Laturi aloittaa lataamisen automaattisesti, kun kennon lämpötila nousee tai laskee riittävästi.**

**Huomautus:** Jotta varmistat litiumioniakkujen parhaimman mahdollisen suorituskyvyn ja pitkän käyttöiän, akku tulee ladata täyteen ennen ensimmäistä käyttöä.

- Yhdistä laturi (9) sopivaan pistorasiaan ennen kuin laitat siihen akun (6).
- Vihreä latauksen merkkivalo (9a) vilkkuu jatkuvasti ilmoittaen, että latausprosessi on alkanut.
- Kun lataus on valmis, vihreä latauksen valo (9a) jää palamaan jatkuvasti. Akku (6) on täysin ladattu ja se voidaan poistaa, sitä voidaan käyttää heti tai sen voi jättää laturiin.

- Lataa akut viikon kuluessa tyhjentymisestä. Akkujen käyttöikä lyhenee merkittävästi, jos ne jätetään tyhjiksi pitkäksi aikaa.

## Laturin LED-tilat

|  |  |  |
|--|--|--|
|  | <b>Lataus käynnissä:</b><br>Vilkkuva vihreä LED-valo                                   |  |
|  | <b>Ladattu täyteen:</b><br>Pysyvä vihreä LED-valo                                      |  |
|  | <b>Akun kuuma-/kylmäviive:</b><br>Vilkkuva vihreä LED-valo<br>Pysyvä punainen LED-valo |  |

**Huomautus:** Yhteensopiva(t) laturi(t) ei(eivät) lataa viallista akkua. Laturi ilmoittaa viallisesta akusta, kun se ei syty.

**Huomautus:** Tämä voi tarkoittaa myös laturivikaa. Jos laturi ilmoittaa ongelmasta, vie laturi ja akku testattavaksi valtuutettuun huoltopalveluun.

### Akun jättäminen laturiin

Akku voidaan jättää laturiin, kun merkkivalo palaa. Laturi pitää akun käyttövalmiina ja ladattuna.

### Akun kuuma-/kylmäviive

Kun laturi tunnistaa liian kuumen tai kylmän akun, se käynnistää automaattisesti akun kuuma-/kylmäviiveen, vihreä LED-merkkivalo (9a) vilkkuu ja punainen merkkivalo LED (9b) palaa jatkuvasti, jolloin lataus keskeytyy, kunnes akku on saavuttanut oikean lämpötilan. Laturi siirtyy tämän jälkeen automaattisesti akun lataustilaan. Tämä toiminto takaa akun maksimaalisen käyttöiän.

### Akun varaustilan merkkivalo (kuva B)

Akussa on varaustilan merkkivalo, joka mahdollistaa akun käyttäjän määrittämisen nopeasti kuvan B mukaisesti. Voit tarkistaa akun jäljellä olevan käyttöajan helposti painamalla varaustilan painiketta (6a) kuvan B mukaisesti.



### Akun asentaminen ja poistaminen työkalusta



**Varoitus!** Varmista ennen akun irrottamista tai asentamista, että lukituspainike on lukitussa asennossa virtakytkimen tahattoman käytön estämiseksi.

**Akun asentaminen (kuva C)**

- Aseta akku hyvin työkaluun, kunnes kuulet napsahduksen kuvan C mukaisesti. Varmista, että akku on hyvin paikoillaan ja lukittu paikoilleen.

**Akun irrotus (kuva D)**

- Paina akun vapautuspainiketta (7) kuvan D mukaisesti ja vedä akku irti työkalusta.

**Vyökoukku (valinnainen lisävaruste) (kuvat E, F)**

Varoitus! Vakavan henkilövahingon vaaran vähentämiseksi aseta suunnanvaihtopainike lukitusasentoon tai katkaise työkalusta virta ja irrota akku ennen säätämistä tai varusteiden irrottamista tai asentamista. Tahaton käynnistyminen aiheuttaa vahingon.



Varoitus! Vakavien henkilövahinkojen välttämiseksi kiinnitä työkalu vyöhön AINOASTAAN työkalun vyökoukku (10) käyttäen. ÄLÄ käytä vyökoukku työkalun sitomiseksi tai kiinnittämiseksi henkilöön tai johonkin kohteeseen käytön aikana. ÄLÄ ripusta työkalua pään yläpuolelle tai ripusta esineitä vyökoukusta.



Varoitus! Vakavan henkilövahingon riskin vähentämiseksi tulee varmistaa, että vyökoukun kiinnitysruuvi (11) on varmasti kiinni.

Huomautus: Kun kiinnität tai vaihdat vyökoukku (10), käytä vain mukana toimitettua ruuvia (11). Kiristä ruuvi huolellisesti. Vyökoukku (10) voidaan kiinnittää liu'uttamalla se työkalun molemmilla puolilla oleviin syvennyksiin (12) käyttämällä vain mukana toimitettua ruuvia (11), mikä mahdollistaa sekä oikea- että vasenkätisten käyttäjien käytön. Jos koukku ei haluta lainkaan, sen voi irrottaa työkalusta. Irrota vyökoukku poistamalla ruuvi (11), joka pitää vyökoukun (10) paikallaan ja kokoa sitten uudelleen vastakkaiselle puolelle. Kiristä ruuvi (11) huolellisesti.

Huomautus: Saatavilla on erilaisia kiskojärjestelmän koukkuja ja säilytysratkaisuja.

Lisätietoa on saatavilla verkkosivuiltamme osoitteessa [www.stanleytools.eu/3](http://www.stanleytools.eu/3).

**Avaimeton istukka (kuva G)**

Varoitus! Varmista ennen lisävarusteiden asentamista tai irrottamista, että akku on irrotettu työkalun tahattoman käytön estämiseksi.

Vaihda poranterä tai muu lisävaruste seuraavasti:

- Tartu istukkaan (5) ja kierrä sitä vastapäivään istukan päästä katsottuna.
- Aseta terä tai muu tarvike (13) istukkaan ja kiinnitä se hyvin kiertämällä istukkaa myötäpäivään istukan päästä katsottuna.



Varoitus! Älä yritä kiristää tai löysätä poranteriä (tai muita lisävarusteita) tarttumalla istukan etuosaan ja käynnistämällä työkalun.

Lisävarusteiden vaihtaminen tällä tavalla voi vahingoittaa istukkaa tai johtaa tapaturmaan.

**Liipaisinkytkin ja suunnanvaihtopainike (kuva H)**

- Pora kytetään päälle ja pois päältä vetämällä ja vapauttamalla liipaisinkytkin (1) kuvan H mukaisesti. Mitä syvemmälle kytkintä painetaan, sitä suurempi on poran nopeus.
- Suunnanvaihtopainike (2) määrää työkalun kiertosuunnan ja toimii myös lukituspainikkeena.
- Kiinniruuvausta varten vapauta liipaisinkytkin ja paina alas suunnanvaihtopainike työkalun oikealla puolella.
- Kiinniruuvausta varten paina alas suunnanvaihtopainike työkalun oikealla puolella.
- Suunnanvaihtopainikkeen keskiasento lukitsee työkalun off-asentoon. Kun muutat suunnanvaihtopainikkeen asentoa, varmista, että liipaisin on vapautettu.

**Vääntömomentin säätäminen (kuva I)**

Tässä työkalussa on vääntömomentin säätörengas (3), jolla valitaan toimintatila ja asetetaan vääntömomentti ruuvien kiristämistä varten. Suuret ruuvit ja kovat työstettävät materiaalit vaativat suuremman vääntömomentin kuin pienet ruuvit ja pehmeät työstettävät materiaalit.

- Puuta, metallia ja muovia poratessasi aseta kartio (3) porausasennon symbolin kohdalle.
- Ruuveja vääntäessäsi aseta kartio haluamaasi asentoon. Jos et vielä tiedä oikeaa asentoa, toimi seuraavasti:
  - ◆ Aseta kartio pienimmän vääntömomentin mukaiseen asentoon.
  - ◆ Kiristä ensimmäinen ruuvi.
  - ◆ Jos kytkin luistaa ennen halutun tuloksen saavuttamista, suurena kartion asetusta ja jatka ruuvien kiristämistä.
  - ◆ Toista menettelyä, kunnes asetus on oikea.
  - ◆ Kiristä muut ruuvit käyttämällä tätä asetusta.

**Nopeuden valintakytkin (kuva J)**

Poran nopeuskytkimen avulla voit vaihtaa vaihteista monipuolisesti.

- Valitse alhainen nopeus ja suuri vääntömomentti (asento 1) katkaisemalla työkalusta virta ja antamalla sen pysähtyä. Liu'uta nopeuskytkintä (4) pois päin istukasta.
- Valitse suuri nopeus ja pieni vääntömomentti (asento 2) katkaisemalla työkalusta virta ja antamalla sen pysähtyä. Liu'uta nopeuskytkintä takaisin istukkaan päin.

**Huomautus:** Älä vaihda vaihdetta, kun työkalu on käynnissä. Jos vaihteiden vaihtamisessa on ongelmia, varmista, että nopeuskytkin on työnnetty joko kokonaan eteenpäin tai kokonaan taaksepäin.

**Ruuvaus**

- Ruuveja kiinnitettäessä suunnanvaihtopainike tulee työntää vasemmalle.



- Poista ruuvit päinvastaiseen suuntaan (painike painettuna oikealle).

**Huomautus:** Vapauta liipaisin aina ennen kuin siiryt eteenpäin-asennosta taaksepäin-asentoon tai päinvastoin.

### Poraaminen

- Käytä vain teräviä poranteriä.
- Tue ja kiinnitä työstökappale oikeaoppisesti turvallisuusohjeita noudattaen.
- Tue ja kiinnitä työstökappale oikeaoppisesti turvallisuusohjeita noudattaen.
- Varmista työalueen turvallisuus turvallisuusohjeita noudattaen.
- Käytä poraa erittäin hiljaa kevyellä paineella, kunnes reikä on aloitetta riittävästi poran pitämiseksi aukossa.
- Paina suoraan terän suuntaisesti. Paina tarpeeksi kovaa niin, että terä poraa, mutta älä niin kovaa, että moottori jää kiinni tai terä vääntyy.
- Pidä poraa tiukasti kahdella kädellä, yksi käsi kahvassa ja toinen akkualueen ympärillä tai lisäkahvassa (jos olemassa).
- ÄLÄ YRITÄ KÄYNNISTÄÄ KIINNI JÄÄNYTTÄ MOOTTORIA UUDELLEEN PAINELEMALLA LIIPASINTA. PORA VOI VAHINGOITTUA.
- Vähennä kiinni jäämisen mahdollisuutta puhkaisuvaiheessa vähentämällä painetta ja poraamalla hitaasti reiän loppupäässä.
- Pidä moottori käynnissä ja vedä terä ulos poratusta reiästä. Tämä estää juuttumista.
- Varmista, että kytkin käynnistää ja sammuttaa poran.

### Puun poraaminen

Puuhun voidaan porata reikiä samoilla kieräporanterillä kuin metalliin, tai litteäteräisillä poranterillä. Näiden terien tulisi olla teräviä ja porattaessa ne tulisi vetää ulos usein purujen poistamiseksi urista.

### Metallin poraaminen

Käytä leikkuujähdytysnestettä, kun poraat metalleja. Poikkeuksia ovat valurauta ja messinki, joita tulee porata kuivina. Parhaiten toimivia leikkuujähdytysnesteitä ovat rikitetty leikkuuöljy.

### LED-työvalo (kuva H)

Kun poralla edetään vetämällä liipaisimesta (1), integroit LED-työvalo (8) syttyä automaattisesti työalueen valaisemiseksi.

**Huomautus:** Työvalo on tarkoitettu välittömän työpinnan valaisuun eikä sitä ole tarkoitettu käytettäväksi taskulamppuna.

## Vianmääritys

| Ongelma  | Mahdollinen syy  | Mahdollinen ratkaisu   |
|--|--|--|
| Laite ei käynnisty.                                    | Akkua ei ole asennettu oikein.<br>Akku ei ole latautunut.  | Tarkista akun asennus.<br><br>Tarkista akun latausvaatimukset.   |
| Laite käynnistyy välittömästi akun kytkemisen jälkeen. | Kytkin on jätetty "Päällä"-asentoon.   | Kytkin tulee siirtää "Pois päältä"-asentoon, jotta työkalu ei käynnistyisi heti akun kytkemisen jälkeen.   |
| Akku ei lataudu.                                       | Akkua ei ole asetettu laturiin.<br><br>Laturia ei ole kytketty pistorasiaan.<br><br>Ympäristölämpötila on liian korkea tai liian alhainen.             | Työnnä akku laturiin, kunnes punaiset LED-valot syttyvät.<br><br>Kytke laturi pistorasiaan.<br><br>Siirrä laturi ja akku ympäristöön, jonka lämpötila on yli 4,5 °C tai alle +40,5 °C. |
| Laite sammuu äkkinäisesti.                             | Akun maksimilämpötila on saavutettu.<br><br>Ei virtaa. (Akun maksimaalista käyttöikää varten akku sammuu tarkoituksella äkkinäisesti virran loppuessa. | Anna akun jäähtyä.<br><br>Aseta laturin ja anna latautua.  |

## Huolto

STANLEY FATMAX -työkalu on suunniteltu toimimaan mahdollisimman pitkään aikaa mahdollisimman vähällä huollolla. Oikea käsittely ja säännöllinen puhdistus varmistavat laitteen ongelmattoman toiminnan.

Laturi ei vaadi huoltoa, ainoastaan säännöllisen puhdistuksen.



**Varoitus!** Poista akku ennen työkalun huoltamista. Irrota laturi pistorasiasta ennen laturin puhdistamista.

- Puhdista sahan ja laturin ilma-aukot säännöllisesti pehmeällä harjalla tai kuivalla kangasliinalla.
- Puhdista moottorikotelo säännöllisesti kostealla liinalla.
- Älä käytä hiovia tai liuotinohjaisia puhdistusaineita.

## Ympäristön suojeleminen



Toimita tämä laite kierrätykseen. Tällä symbolilla merkityjä tuotteita ja akkuja/paristoja ei saa hävittää normaalin kotitalousjätteen mukana.

Tuotteissa ja akuissa on materiaaleja, jotka voidaan kerätä tai kierrättää uudelleen käyttöä varten.

Kierrätä sähkölaitteet ja akut paikallisten määräyksien mukaisesti. Lisätietoa on saatavilla osoitteessa [www.2helpU.com](http://www.2helpU.com)

## Tekniset tiedot

|                                      |                   | SFMC700      |
|--------------------------------------|-------------------|--------------|
| Jännite                              | $V_{DC}$          | 18V          |
| Kuormittamaton nopeus                | $\text{Min}^{-1}$ | 0-350/0-1500 |
| Maks. vääntömomentti                 | Nm                | 50           |
| Istukan kapasiteetti                 | mm                | 13           |
| <b>Suurin mahdollinen porausteho</b> |                   |              |
| Teräs/puu/betoni                     | mm                | 13/35/13     |
| Paino                                | kg                | 1,2          |

| Laturi       |          | SFMCB11 | SFMCB12 | SFMCB14 |
|--------------|----------|---------|---------|---------|
| Tulojännite  | $V_{AC}$ | 230     | 230     | 230     |
| Lähtöjännite | $V_{DC}$ | 18      | 18      | 18      |
| Virta        | A        | 1,25    | 2       | 4       |

| Akku    |          | SFMCB201   | SFMCB202   | SFMCB204   | SFMCB206   |
|---------|----------|------------|------------|------------|------------|
| Jännite | $V_{DC}$ | 18         | 18         | 18         | 18         |
| Teho    | Ah       | 1,5        | 2,0        | 4,0        | 6,0        |
| Tyyppi  |          | Litiumioni | Litiumioni | Litiumioni | Litiumioni |

| Äänenpainetaso mitattuna EN62841:n mukaisesti:             |
|--|
| Äänenpaine ( $L_{pA}$ ) 70,0 dB(A), epävarmuus (K) 5 dB(A) |
| Ääniteho ( $L_{WA}$ ) 81,0 dB(A), epävarmuus (K) 5 dB(A)   |

| Tärinän kokonaisarvot (vektorisumma), määritetty standardin EN62841 mukaan:               |
|---|
| Porattaessa metallia ( $a_{h,D}$ ) 1,2 $\text{m/s}^2$ , epävarmuus (K) 1,5 $\text{m/s}^2$ |

## EU-vaatimustenmukaisuusvakuutus

KONEDIREKTIIVI



SFMC700 - Pora

STANLEY Europe ilmoittaa, että tuotteet, jotka on kuvattu kohdassa "Tekniset tiedot" ovat seuraavien direktiivien vaatimusten mukaisia:

EN62841-1:2015, EN62841-2-1:2018+A11:2019.

Nämä tuotteet täyttävät myös direktiivien 2006/42/EY, 2014/30/EU ja 2011/65/EU vaatimukset. Saat lisätietoja ottamalla yhteyden STANLEY Europeiin. Osoitteet näkyvät käyttöohjeen takasivulla.

Lisätietoja saa ottamalla STANLEY FATMAX seuraavassa osoitteessa. Tiedot ovat myös käyttöoppaan takakannessa. Allekirjoittaja vastaa teknisistä tiedoista ja antaa tämän vakuutuksen STANLEY FATMAX in puolesta.

Patrick Diepenbach  
Pääjohtaja, Benelux  
Stanley, Egide Walschaertsstraat 14-18  
2800 Mechelen, Belgia  
14/10/2021

## Takuu

STANLEY FATMAX on vakuutunut tuotteidensa korkeasta laadusta ja tarjoaa kuluttajille 12 kuukauden takuun, joka astuu voimaan ostopäivänä. Kyseinen takuu ei heikennä mitenkään lakisääteisiä oikeuksia, se ainoastaan täydentää niitä. Tämä takuu on voimassa kaikissa EU- ja ETA-maissa. Edellytyksenä takuun saamiselle on, että STANLEY FATMAX -ehdot ja että ostaja toimittaa ostotositteen jälleenmyyjälle tai valtuutetulle huoltoliikkeelle. STANLEY FATMAX 1 vuoden takuun ehdot ja lähimmän valtuutetun korjauspalvelun yhteystiedot ovat saatavilla osoitteessa [www.2helpU.com](http://www.2helpU.com) tai ottamalla yhteyttä paikalliseen STANLEY FATMAX -toimipisteeseen tässä ohjekirjassa ilmoitettuihin osoitteisiin.

Käy verkkosivuillemme osoitteessa [www.stanleytools.eu/3](http://www.stanleytools.eu/3) ja rekisteröi uusi STANLEY FATMAX -tuotteesi saadaksesi tietoa uusista tuotteista ja erikoistarjouksista.

## Προβλεπόμενη χρήση

Το δρ άπανο/κατσαβίδι STANLEY FATMAX SFMCD700 έχει σχεδιαστεί για βίδωμα, καθώς και για τη διάτρηση ξύλου, μετάλλου και πλαστικών. Αυτή η συσκευή προορίζεται για επαγγελματική και ιδιωτική, μη επαγγελματική χρήση.

## Οδηγίες ασφαλείας

### Γενικές προειδοποιήσεις ασφαλείας για ηλεκτρικά εργαλεία



**Προειδοποίηση!** Διαβάστε όλες τις προειδοποιήσεις ασφαλείας, τις οδηγίες, τις απεικονίσεις και τις προδιαγραφές που συνοδεύουν αυτό το ηλεκτρικό εργαλείο. Η μη τήρηση των προειδοποιήσεων και των οδηγιών που αναφέρονται παρακάτω μπορεί να έχει ως αποτέλεσμα ηλεκτροπληξία, πυρκαγιά και/ή σοβαρή σωματική βλάβη.

**Φυλάξτε όλες τις προειδοποιήσεις και τις οδηγίες για μελλοντική αναφορά.** Ο όρος "ηλεκτρικό εργαλείο" που χρησιμοποιείται σε όλες τις παρακάτω προειδοποιήσεις, αναφέρεται είτε σε εργαλείο που λειτουργεί με ρεύμα δικτύου (ρεύματος - με καλώδιο) είτε σε εργαλείο που λειτουργεί με μπαταρία (μπαταρίας - χωρίς καλώδιο).

#### 1. Ασφάλεια χώρου εργασίας

- α) Διατηρείτε το χώρο εργασίας καθαρό και καλά φωτισμένο.** Οι μη τακτοποιημένοι ή σκοτεινοί χώροι, αποτελούν αιτία ατυχημάτων.
- β) Μη λειτουργείτε τα ηλεκτρικά εργαλεία σε εκρηκτικές ατμόσφαιρες, όπως όταν υπάρχουν εύφλεκτα υγρά, αέρια ή σκόνη.** Τα ηλεκτρικά εργαλεία δημιουργούν σπινθήρες που μπορούν να προκαλέσουν ανάφλεξη στη σκόνη ή τις αναθυμιάσεις.
- γ) Απομακρύνετε τα παιδιά και άλλα παρευρισκόμενα άτομα όταν χρησιμοποιείτε ένα ηλεκτρικό εργαλείο.** Η απόσπαση της προσοχής σας μπορεί να έχει ως αποτέλεσμα την απώλεια ελέγχου.

#### 2. Ηλεκτρική ασφάλεια

- α) Τα βύσματα των ηλεκτρικών εργαλείων πρέπει να ταιριάζουν με τις πρίζες. Μη τροποποιείτε ποτέ το βύσμα με οποιονδήποτε τρόπο. Μη χρησιμοποιείτε τυχόν βύσματα προσαρμογέα με γειωμένα (με γείωση εδάφους) ηλεκτρικά εργαλεία.** Με μη τροποποιημένα βύσματα και κατάλληλες πρίζες ελαττώνεται ο κίνδυνος ηλεκτροπληξίας.
- β) Αποφεύγετε την επαφή του σώματός σας με γειωμένες επιφάνειες όπως σωλήνες, καλοριφέρ, εστίες κουζίνας και ψυγεία.** Ο κίνδυνος ηλεκτροπληξίας αυξάνεται όταν το σώμα σας είναι γειωμένο.
- γ) Μη εκθέτετε τα ηλεκτρικά εργαλεία στη βροχή ή σε συνθήκες υγρασίας.** Η είσοδος νερού σε ηλεκτρικό

εργαλείο αυξάνει τον κίνδυνο ηλεκτροπληξίας.

- δ) Μη καταπονείτε υπερβολικά το καλώδιο. Μη χρησιμοποιείτε ποτέ το καλώδιο για τη μεταφορά, το τράβηγμα ή την αποσύνδεση του ηλεκτρικού εργαλείου. Κρατήστε το καλώδιο μακριά από θερμότητα, λάδι, αιχμηρές ακμές και κινούμενα μέρη.** Καλώδια που έχουν υποστεί ζημιά ή περιπλεγμένα καλώδια αυξάνουν τον κίνδυνο ηλεκτροπληξίας.
- ε) Όταν χρησιμοποιείτε ένα ηλεκτρικό εργαλείο σε εξωτερικό χώρο, να χρησιμοποιείτε μόνο καλώδια προέκτασης που είναι κατάλληλα για χρήση σε εξωτερικό χώρο.** Η χρήση καλωδίου κατάλληλου για χρήση σε εξωτερικό χώρο ελαττώνει τον κίνδυνο ηλεκτροπληξίας.
- στ) Εάν είναι αναπόφευκτη η λειτουργία ηλεκτρικού εργαλείου σε χώρο με υψηλή υγρασία, χρησιμοποιήστε παροχή ηλεκτροδότησης με προστασία από ρεύματα διαρροής (RCD). Η χρήση μιας διάταξης RCD ελαττώνει τον κίνδυνο ηλεκτροπληξίας.**

#### 3. Προσωπική ασφάλεια

- α) Παραμείνετε σε εγρήγορση, προσέχετε τι κάνετε και χρησιμοποιείτε την κοινή λογική κατά τη χρήση ενός ηλεκτρικού εργαλείου. Μη χρησιμοποιείτε οποιονδήποτε ηλεκτρικό εργαλείο εάν είστε κουρασμένος(-η) ή υπό την επήρεια ναρκωτικών, αλκοόλ ή φαρμακευτικής αγωγής.** Μια μόνο στιγμή απόσπασης της προσοχής σας καθώς χειρίζεστε ηλεκτρικά εργαλεία, μπορεί να προκαλέσει σοβαρό προσωπικό τραυματισμό.
- β) Χρησιμοποιείτε ατομικό προστατευτικό εξοπλισμό. Να φοράτε πάντοτε προστατευτικά γυαλιά.** Η χρήση προστατευτικού εξοπλισμού όπως μάσκας για τη σκόνη, αντιοιολοθητικών υποδημάτων, κράνους ή προστατευτικών ακουστικών για τις ανάλογες συνθήκες, θα ελαττώσει τους προσωπικούς τραυματισμούς.
- γ) Αποτρέψτε τυχόν ακούσια εκκίνηση του εργαλείου. Βεβαιωθείτε ότι ο διακόπτης βρίσκεται στη θέση Off προτού συνδέσετε το εργαλείο στην πρίζα ή/και στην μπαταρία, καθώς και προτού σηκώσετε ή μεταφέρετε το εργαλείο.** Η μεταφορά ηλεκτρικών εργαλείων με το δάκτυλό σας στο διακόπτη ή η σύνδεση στην πρίζα εργαλείων με το διακόπτη στη θέση On ενέχουν κίνδυνο ατυχήματος.
- δ) Αφαιρέστε οποιονδήποτε κλειδί ή ρυθμιστικό κλειδί προτού ενεργοποιήσετε το ηλεκτρικό εργαλείο.** Ένα κλειδί ή ρυθμιστικό κλειδί που έχει αφαιρεθεί προσαρτημένο σε κινητό τμήμα του ηλεκτρικού εργαλείου, μπορεί να προκαλέσει προσωπικό τραυματισμό.

- ε) Μην προσπαθήσετε να φτάσετε απομακρυσμένα σημεία. Φροντίστε να έχετε πάντοτε την κατάλληλη στάση και να διατηρείτε την ισορροπία σας. Κατ' αυτόν τον τρόπο θα έχετε καλύτερο έλεγχο του εργαλείου σε απροσδόκητες καταστάσεις.
- ζ) Να είστε ντυμένοι κατάλληλα. Μην φοράτε φαρδιά ενδύματα ή κοσμήματα. Κρατάτε τα μαλλιά και τα ρούχα σας μακριά από κινούμενα μέρη. Τα φαρδιά ενδύματα, τα κοσμήματα ή τα μακριά μαλλιά μπορεί να εμπλακούν στα κινούμενα μέρη.
- η) Εάν οι συσκευές παρέχονται με σύνδεση συστημάτων αφαίρεσης και συλλογής σκόνης, φροντίστε τα συστήματα αυτά να είναι συνδεδεμένα και να χρησιμοποιούνται κατάλληλα. Η χρήση συστήματος συλλογής σκόνης μπορεί να ελαττώσει τους κινδύνους που σχετίζονται με τη σκόνη.
- θ) Μην αφήνετε την εξοικείωση που έχετε αποκτήσει από τη συχνή χρήση εργαλείων να σας επιτρέψει να εφησυχάσετε και να αγνοείτε τις αρχές ασφαλούς χρήσης των εργαλείων. Μια απρόσεκτη ενέργεια μπορεί να προκαλέσει βαρύ τραυματισμό μέσα σε κλάσματα του δευτερολέπτου.
4. Χρήση και φροντίδα των ηλεκτρικών εργαλείων
- α) Μη ζορίζετε το ηλεκτρικό εργαλείο. Χρησιμοποιείτε το κατάλληλο εργαλείο ανάλογα με την εφαρμογή. Η εργασία θα πραγματοποιηθεί με καλύτερο και πιο ασφαλή τρόπο όταν εκτελείται από το σωστά επιλεγμένο ηλεκτρικό εργαλείο με τον προβλεπόμενο ρυθμό.
- β) Μη χρησιμοποιείτε το εργαλείο εάν ο διακόπτης δεν μεταβίνει στις θέσεις On (Ενεργοποίηση) και Off (Απενεργοποίηση). Οποιοδήποτε εργαλείο δεν μπορεί να ελεγχθεί μέσω του διακόπτη του, είναι επικίνδυνο και πρέπει να επισκευαστεί.
- γ) Αποσυνδέστε το φως από την πηγή ρεύματος και/ή το πακέτο μπαταρίας, αν είναι αποσπώμενο, από το ηλεκτρικό εργαλείο, πριν διεξάγετε οποιαδήποτε ρύθμιση, αλλαγή εξαρτήματος ή όταν πρόκειται να αποθηκεύσετε το ηλεκτρικό εργαλείο. Αυτού του είδους τα μέτρα ασφαλείας ελαττώνουν τον κίνδυνο τυχαίας θέσης σε λειτουργία του ηλεκτρικού εργαλείου.
- δ) Αποθηκεύετε τα ηλεκτρικά εργαλεία που δεν χρησιμοποιείτε μακριά από μέρη όπου μπορούν να τα προσεγγίσουν παιδιά και μην επιτρέπτε τη χρήση του ηλεκτρικού εργαλείου από άτομα που δεν είναι εξοικειωμένα με αυτό ή με τις οδηγίες χρήσης του. Τα ηλεκτρικά εργαλεία είναι επικίνδυνα όταν χρησιμοποιούνται από μη εκπαιδευμένους χειριστές.
- ε) Συντηρείτε τα ηλεκτρικά εργαλεία και τα αξεσουάρ. Ελέγξτε για τυχόν εσφαλμένη ευθυγράμμιση ή ενσφήνωση κινούμενων μερών, για τυχόν θραύση εξαρτημάτων και για τυχόν άλλες καταστάσεις που μπορεί να επηρεάσουν τη λειτουργία του ηλεκτρικού εργαλείου. Εάν το ηλεκτρικό εργαλείο έχει υποστεί ζημιά, φροντίστε για την επισκευή του πριν το χρησιμοποιήσετε. Πολλά ατυχήματα έχουν προκληθεί από ηλεκτρικά εργαλεία που δεν έχουν συντηρηθεί κατάλληλα.
- ζ) Διατηρείτε τα εργαλεία κοπής αιχμηρά και καθαρά. Τα κοπής έχουν μικρότερες πιθανότητες λυγίσματος κατά τη λειτουργία και ελέγχονται ευκολότερα.
- η) Χρησιμοποιείτε το ηλεκτρικό εργαλείο, τα παρελκόμενα και τα τρυπάνια κ.λπ. σύμφωνα με τις παρούσες οδηγίες, λαμβάνοντας υπόψη τις συνθήκες εργασίας και την εργασία που πρόκειται να πραγματοποιηθεί. Η χρήση ενός ηλεκτρικού εργαλείου για εργασίες διαφορετικές από αυτές για τις οποίες προορίζεται, μπορεί να οδηγήσει σε επικίνδυνη κατάσταση.
- θ) Διατηρείτε τις λαβές και τις επιφάνειες κρατήματος στεγνές, καθαρές και απαλλαγμένες από λάδι και γράσο. Οι ολισθηρές λαβές και επιφάνειες κρατήματος δεν επιτρέπουν τον ασφαλή χειρισμό και έλεγχο του εργαλείου σε μη αναμενόμενες καταστάσεις.
5. Χρήση και φροντίδα των εργαλείων με μπαταρία
- α) Επαναφορτίζετε μόνο με το φορτιστή που καθορίζεται από τον κατασκευαστή. Φορτιστής που είναι κατάλληλος για έναν τύπο μπαταριών, μπορεί να ενέχει κίνδυνο πυρκαγιάς όταν χρησιμοποιείται με άλλο τύπο μπαταριών.
- β) Χρησιμοποιείτε τα ηλεκτρικά εργαλεία μόνο με τις ειδικά καθορισμένες μπαταρίες. Η χρήση μπαταριών άλλου τύπου ενέχει κίνδυνο τραυματισμού και πυρκαγιάς.
- γ) Όταν η μπαταρία δεν χρησιμοποιείται, διατηρείτε την μακριά από άλλα μεταλλικά αντικείμενα, όπως συνδετήρες, νομίσματα, κλειδιά, καρφιά, βίδες ή άλλα μικρά μεταλλικά αντικείμενα που μπορεί να προκαλέσουν ηλεκτρική επαφή μεταξύ των δύο ακροδεκτών της μπαταρίας. Η βραχυκύκλωση των ακροδεκτών της μπαταρίας μπορεί να προκαλέσει εγκαύματα ή και πυρκαγιά.
- δ) Κάτω από συνθήκες κακομεταχείρισης, μπορεί να εκτοξευτεί υγρό από τη μπαταρία. Αποφύγετε την επαφή με το υγρό αυτό. Εάν έλθετε σε επαφή κατά λάθος, ξεπλύνετε με άφθονο νερό. Σε περίπτωση που το υγρό έλθει σε επαφή με τα μάτια σας, ζητήστε ιατρική βοήθεια. Το υγρό που εκτοξεύεται από τη μπαταρία μπορεί να προκαλέσει ερεθισμούς ή εγκαύματα.

ε) **Μη χρησιμοποιήσετε πακέτο μπαταρίας ή εργαλείο που έχει υποστεί ζημιά ή τροποποίηση.** Οι μπαταρίες που έχουν υποστεί ζημιά ή τροποποίηση μπορεί να έχουν απρόβλεπτη συμπεριφορά, με αποτέλεσμα φωτιά, έκρηξη ή κίνδυνο τραυματισμού.

ζ) **Μην εκθέσετε ένα πακέτο μπαταρίας ή εργαλείο σε φωτιά ή υπερβολική θερμοκρασία.** Η έκθεση σε φωτιά ή σε θερμοκρασία πάνω από 130 °C μπορεί να προκαλέσει έκρηξη.

η) **Τηρείτε όλες τις οδηγίες φόρτισης και μη φορτίζετε το πακέτο μπαταρίας ή το εργαλείο εκτός των ορίων θερμοκρασίας που ορίζονται στις προδιαγραφές.** Η ακατάλληλη φόρτιση ή η φόρτιση σε θερμοκρασίες εκτός των προβλεπόμενων ορίων μπορεί να προξενήσει ζημιά στην μπαταρία και να αυξήσει τον κίνδυνο φωτιάς.

## 6. Συντήρηση (Σέρβις)

α) **Φροντίζετε τη συντήρηση του ηλεκτρικού εργαλείου να πραγματοποιείται από πιστοποιημένο για επισκευές άτομο, με τη χρήση μόνο πανομοιότυπων ανταλλακτικών.** Κατ' αυτό τον τρόπο εξασφαλίζεται η ασφάλεια του ηλεκτρικού εργαλείου.

β) **Ποτέ μην κάνετε σέρβις σε πακέτα ΜΠΑΤΑΡΙΩΝ που έχουν υποστεί ζημιά.** Το σέρβις των πακέτων ΜΠΑΤΑΡΙΩΝ πρέπει να γίνεται μόνο από τον κατασκευαστή ή από εξουσιοδοτημένους παρόχους σέρβις.

## 1) Οδηγίες ασφαλείας για όλες τις εργασίες

α) **Συγκρατήστε σωστά το εργαλείο πριν τη χρήση.** Αυτό το εργαλείο παράγει υψηλή ροπή εξόδου και αν δεν συγκρατείτε σωστά το εργαλείο κατά τη λειτουργία, μπορεί να προκύψει απώλεια ελέγχου με αποτέλεσμα τραυματισμό.

β) **Κρατάτε το ηλεκτρικό εργαλείο από μονωμένες επιφάνειες λαβής όταν εκτελείτε μια εργασία όπου το αξεσουάρ κοπής μπορεί να έρθει σε επαφή με αθάατα καλώδια.** Αν αξεσουάρ κοπής έρθει σε επαφή με καλώδιο υπό τάση, μπορεί να θεθούν υπό ηλεκτρική τάση και τα εκτεθειμένα μεταλλικά μέρη του ηλεκτρικού εργαλείου και να προκληθεί ηλεκτροπληξία στο χειριστή.

## Οδηγίες ασφαλείας κατά τη χρήση τρυπανιών μεγάλου μήκους

- **Ποτέ μη χρησιμοποιείτε ταχύτητα υψηλότερη από τη μέγιστη ονομαστική ταχύτητα του τρυπανιού.** Σε υψηλότερες ταχύτητες, το τρυπάνι είναι πιθανό να λυγίσει αν επιτραπεί να περιστραφεί ελεύθερα χωρίς να είναι σε επαφή με το αντικείμενο εργασίας, με αποτέλεσμα τραυματισμό.

- **Πάντα να ξεκινάτε τη διάτρηση σε χαμηλή ταχύτητα και με τη μύτη του τρυπανιού σε επαφή με το αντικείμενο εργασίας.** Σε υψηλότερες ταχύτητες, το τρυπάνι είναι πιθανό να λυγίσει αν επιτραπεί να περιστραφεί ελεύθερα χωρίς να είναι σε επαφή με το αντικείμενο εργασίας, με αποτέλεσμα τραυματισμό.
- **Εφαρμόζετε πίεση μόνο σε ευθεία γραμμή με το εξάρτημα εργασίας (τρυπάνι) και μην εφαρμόζετε υπερβολική πίεση.** Τα τρυπάνια μπορεί να λυγίσουν προκαλώντας θραύση ή απώλεια του ελέγχου, με αποτέλεσμα τραυματισμό.
- **Όταν χρησιμοποιείτε κρουστικά δράπανα, να φοράτε ωτοασπίδες.** Η έκθεση σε θόρυβο μπορεί να προκαλέσει απώλεια ακοής.
- **Χρησιμοποιείτε τις βοηθητικές λαβές που παρέχονται μαζί με το εργαλείο.** Η απώλεια ελέγχου μπορεί να προκαλέσει τραυματισμό.
- **Χρησιμοποιείτε σφιγκτήρες ή άλλο πρακτικό τρόπο για να στερεώνετε και να στηρίζετε το αντικείμενο εργασίας σε σταθερό υπόβαθρο.** Αν κρατάτε το αντικείμενο εργασίας με το χέρι σας ή κόντρα στο σώμα σας, αυτό δεν είναι σταθερό και μπορεί να προκληθεί απώλεια ελέγχου.
- **Πριν βιδώσετε στοιχεία στερέωσης σε τοίχους, δάπεδα ή ταβάνια, ελέγξτε για τη θέση καλωδίων και σωλήνων.**
- **Η προβλεπόμενη χρήση περιγράφεται στο παρόν εγχειρίδιο οδηγιών.**
- **Η χρήση οποιουδήποτε αξεσουάρ ή προσαρτήματος ή η εκτέλεση με αυτό το εργαλείο οποιασδήποτε άλλης εργασίας πέραν από αυτές που συνιστώνται στο παρόν εγχειρίδιο οδηγιών ενδέχεται να εγκυμονεί κίνδυνο τραυματισμού και/ή υλικών ζημιών.**

## Ασφάλεια τρίτων

- Αυτό το εργαλείο δεν προορίζεται για χρήση από άτομα (στα οποία περιλαμβάνονται και τα παιδιά) με μειωμένες φυσικές, αντιληπτικές ή διανοητικές ικανότητες ή άτομα χωρίς εμπειρία και γνώσεις, παρά μόνο εφόσον επιτηρούνται ή τους έχουν δοθεί οδηγίες σχετικά με τη χρήση του εργαλείου από άτομο υπεύθυνο για την ασφάλεια τους.
- Τα παιδιά πρέπει να επιτηρούνται για να διασφαλίζεται ότι δεν παίζουν με το εργαλείο.

## Υπολειπόμενοι κίνδυνοι

Κατά τη χρήση του εργαλείου μπορεί να δημιουργηθούν επιπρόσθετοι υπολειπόμενοι κίνδυνοι, οι οποίοι ενδέχεται να μη συμπεριλαμβάνονται στις προειδοποιήσεις ασφαλείας που εσωκλείονται. Αυτοί οι κίνδυνοι μπορεί να προκληθούν από κακή χρήση, παρατεταμένη χρήση κλπ. Ακόμα και με την τήρηση των σχετικών κανονισμών ασφαλείας και τη χρήση διατάξεων ασφαλείας, ορισμένοι υπολειπόμενοι κίνδυνοι δεν

είναι δυνατόν να εξαλειφθούν. Σ' αυτούς περιλαμβάνονται:

- Τραυματισμοί από επαφή με οποιαδήποτε περιστρεφόμενα/κινούμενα μέρη.
- Τραυματισμοί κατά την αλλαγή οποιωνδήποτε εξαρτημάτων, λεπίδων ή αξεσουάρ.
- Σωματικές βλάβες από παρατεταμένη χρήση εργαλείου. Όταν χρησιμοποιείτε οποιοδήποτε εργαλείο για παρατεταμένα χρονικά διαστήματα, να μην παραλείπετε με κανένα τρόπο να κάνετε τακτικά διαλείμματα.
- Βλάβη της ακοής.
- Κίνδυνοι στην υγεία που προκαλούνται από την εισπνοή σκόνης όταν χρησιμοποιείτε το εργαλείο (παραδείγματα: όταν επεξεργάζεστε ξύλο, ειδικά δρυ, οξιά και MDF).

### Κραδασμοί

Η δηλωμένη τιμή εκπομπής κραδασμών που αναφέρεται στα τεχνικά χαρακτηριστικά και τη δήλωση συμμόρφωσης έχει μετρηθεί σύμφωνα με τυποποιημένη μέθοδο δοκιμής που προβλέπεται από το πρότυπο EN62841 και μπορεί να χρησιμοποιηθεί για τη σύγκριση ενός εργαλείου με ένα άλλο. Η δηλωμένη τιμή εκπομπής κραδασμών μπορεί επίσης να χρησιμοποιηθεί σε έναν προκαταρκτικό προσδιορισμό της έκθεσης σε κραδασμούς.

**Προειδοποίηση!** Η τιμή εκπομπής κραδασμών κατά την πραγματική χρήση του ηλεκτρικού εργαλείου μπορεί να διαφέρει από τη δηλωμένη τιμή, ανάλογα με τον τρόπο που χρησιμοποιείται το εργαλείο. Το επίπεδο κραδασμών μπορεί να αυξηθεί πάνω από το επίπεδο που έχει δηλωθεί.

Κατά τον προσδιορισμό της έκθεσης σε κραδασμούς για τον καθορισμό των απαιτούμενων μέτρων ασφαλείας σύμφωνα με την οδηγία 2002/44/EK για την προστασία προσώπων που χρησιμοποιούν συχνά ηλεκτρικά εργαλεία στην εργασία τους, μια προσεγγιστική εκτίμηση της έκθεσης σε κραδασμούς πρέπει να λαμβάνει υπόψη τις πραγματικές συνθήκες χρήσης και τον τρόπο χρήσης του εργαλείου, συμπεριλαμβανομένων και όλων των επιμέρους τμημάτων του κύκλου εργασίας, όπως πόσες φορές τέθηκε το εργαλείο εκτός λειτουργίας, πότε είναι σε λειτουργία χωρίς φορτίο, επιπλέον του χρόνου πίεσης της σκανδάλης.

### Ετικέτες πάνω στο εργαλείο

Τα εικονογράμματα που ακολουθούν μαζί με τον ο κωδικό ημερομηνίας εμφανίζονται πάνω στο εργαλείο:



**Προειδοποίηση!** Για να μειωθεί ο κίνδυνος τραυματισμού, ο χρήστης πρέπει να διαβάσει το εγχειρίδιο οδηγιών.



Όταν χρησιμοποιείτε κρουστικά δράπανα, να φοράτε ωτοασπίδες. Η έκθεση σε θόρυβο μπορεί να προκαλέσει απώλεια ακοής.



Μην κοιτάζετε τη λάμπα λειτουργίας

## Συμπληρωματικές οδηγίες ασφαλείας για τις μπαταρίες και τους φορτιστές

### Μπαταρίες

- Ποτέ μην επιχειρήσετε να ανοίξετε το προϊόν για κανένα λόγο.
- Μην εκθέτετε την μπαταρία σε νερό.
- Μην φυλάσσετε τις μπαταρίες σε μέρη όπου η θερμοκρασία μπορεί να υπερβεί τους 40 °C.
- Η φόρτιση πρέπει να γίνεται μόνο σε θερμοκρασίες περιβάλλοντος μεταξύ 10 °C και 40 °C.
- Να φορτίζετε μόνο με τη χρήση του φορτιστή που παρέχεται με το εργαλείο.
- Όταν απορρίπτετε τις μπαταρίες, ακολουθήστε τις οδηγίες που δίνονται στην ενότητα "Προστασία του περιβάλλοντος".

### Φορτιστές

- Ο φορτιστής STANLEY FATMAX πρέπει να χρησιμοποιείται αποκλειστικά και μόνο για τη φόρτιση της μπαταρίας του εργαλείου το οποίο συνοδεύει. Αν χρησιμοποιηθεί για άλλες μπαταρίες, αυτές μπορεί να εκραγούν, προκαλώντας τραυματισμό και ζημιές.
- Μην επιχειρείτε να φορτίσετε μη επαναφορτιζόμενες μπαταρίες.
- Φροντίζετε να αντικαθίστανται άμεσα τα καλώδια που παρουσιάζουν βλάβη.
- Μην εκθέτετε το φορτιστή σε νερό.
- Μην ανοίγετε το φορτιστή.
- Μην εμπεύβαινετε στο φορτιστή.



Ο φορτιστής προορίζεται για χρήση σε εσωτερικούς χώρους μόνο.



Διαβάστε αυτό το εγχειρίδιο οδηγιών πριν από τη χρήση.



Μην επιχειρήσετε να φορτίσετε μπαταρίες που έχουν υποστεί ζημιά.

## Ασφαλής χρήση ηλεκτρικού ρεύματος

Ο φορτιστής σας φέρει διπλή μόνωση, επομένως δεν απαιτείται σύρμα γείωσης.



ΕΛέγχετε πάντα αν η τάση τροφοδοσίας αντιστοιχεί σε αυτήν που αναγράφεται στην πινακίδα χαρακτηριστικών. Ποτέ μην επιχειρείτε να αντικαταστήσετε τη μονάδα φορτιστή με έναν κανονικό ρευματολήπτη.

- Αν το καλώδιο τροφοδοσίας έχει υποστεί ζημιά, πρέπει να αντικατασταθεί από τον κατασκευαστή ή εξουσιοδοτημένο κέντρο σέρβις της STANLEY FATMAX για την αποφυγή κινδύνου.





**Προειδοποίηση!** Ποτέ μην επιχειρείτε να αντικαταστήσετε τη μονάδα φορτιστή με έναν κανονικό ρευματολήπτη.

### Χαρακτηριστικά

Η συσκευή αυτή διαθέτει μερικά ή όλα από τα παρακάτω χαρακτηριστικά.

1. Διακόπτη σκανδάλης
2. Κουμπί ελέγχου κίνησης εμπρός/όπισθεν
3. Κολάρο ρύθμισης ροπής
4. Επιλογέας ταχύτητας δύο περιοχών
5. Αυτόματο τσοκ
6. Μπαταρία
7. Κουμπί απελευθέρωσης μπαταρίας
8. LED φωτισμού εργασίας

### Χρήση



**Προειδοποίηση!** Αφήστε το εργαλείο να λειτουργήσει με το δικό του ρυθμό. Μην το υπερφορτώνετε.

### Φόρτιση της μπαταρίας (Εικ. Α)

Η μπαταρία πρέπει να φορτίζεται πριν από την πρώτη χρήση και όποτε αδυνατεί να παρέχει επαρκή ισχύ σε εργασίες που παλιά ήταν εύκολη η εκτέλεσή τους.

Η μπαταρία μπορεί να θερμαίνεται κατά τη φόρτιση. Κάτι τέτοιο είναι φυσιολογικό και δεν υποδηλώνει πρόβλημα.



**Προειδοποίηση!** Μη φορτίζετε την μπαταρία σε θερμοκρασίες περιβάλλοντος κάτω από 10 °C ή πάνω από 40 °C. Η συνιστώμενη θερμοκρασία φόρτισης είναι περίπου 24 °C.

**Σημείωση:** Ο φορτιστής δεν θα φορτίσει μια μπαταρία με θερμοκρασία κυψέλης κάτω από περίπου 10 °C ή πάνω από 40 °C.

Η μπαταρία θα πρέπει να μείνει στο φορτιστή και αυτός θα αρχίσει να τη φορτίζει αυτόματα μόλις η θερμοκρασία κυψέλης αυξηθεί ή μειωθεί αντίστοιχα.

**Σημείωση:** Για να εξασφαλίσετε μέγιστη απόδοση και μέγιστη ωφέλιμη ζωή των πακέτων μπαταρίας ιόντων λιθίου, φορτίστε πλήρως το πακέτο μπαταρίας πριν την πρώτη χρήση.

- Συνδέστε τον φορτιστή (9) σε κατάλληλη πρίζα πριν εισάγετε το πακέτο μπαταρίας (6).
- Η πράσινη λυχνία φόρτισης (9a) θα αναβοσβήνει συνεχώς υποδηλώνοντας ότι έχει αρχίσει η διαδικασία φόρτισης.
- Η φόρτιση έχει ολοκληρωθεί όταν η πράσινη λυχνία φόρτισης (9a) παραμένει μόνιμα αναμμένη. Τότε το πακέτο μπαταρίας (6) είναι πλήρως φορτισμένο και μπορείτε να το χρησιμοποιήσετε άμεσα ή να το αφήσετε τοποθετημένο στον φορτιστή.
- Φορτίζετε τις αποφορτισμένες μπαταρίες εντός 1 εβδομάδας. Η διάρκεια ζωής μιας μπαταρίας μειώνεται σημαντικά αν αποθηκευτεί σε αποφορτισμένη κατάσταση.

### Λειτουργίες φορτιστή LED

|  |   |  |
|--|---|--|
|  | <b>Σε φόρτιση:</b><br>Πράσινη LED αναβοσβήνει   |  |
|  | <b>Φόρτιση ολοκληρώθηκε:</b><br>Πράσινη LED σταθερή   |  |
|  | <b>Καθυστέρηση θερμού/ψυχρού πακέτου:</b><br>Πράσινη LED αναβοσβήνει<br>Κόκκινη LED σταθερή |  |

**Σημείωση:** Ο/Οι συμβατός(-οί) φορτιστής(-ές) δεν θα φορτίσουν ένα πακέτο μπαταρίας που παρουσιάζει βλάβη. Ο φορτιστής θα υποδείξει ότι υπάρχει βλάβη στο πακέτο μπαταρίας με το να μην ανάψει ενδεικτική λυχνία.

**Σημείωση:** Αυτό θα μπορούσε να σημαίνει και πρόβλημα με τον φορτιστή. Αν ο φορτιστής υποδηλώνει πρόβλημα, δώστε τον φορτιστή και το πακέτο μπαταρίας για έλεγχο σε εξουσιοδοτημένο κέντρο σέρβις.

### Παραμονή της μπαταρίας στο φορτιστή

Ο φορτιστής και η μπαταρία μπορούν να παραμείνουν συνδεδεμένα με τη λυχνία LED αναμμένη επ' αόριστον. Ο φορτιστής θα διατηρήσει την μπαταρία πλήρως φορτισμένη.

### Καθυστέρηση θερμού/ψυχρού πακέτου μπαταρίας

Αν ο φορτιστής ανιχνεύσει ότι μια μπαταρία βρίσκεται σε πολύ υψηλή ή πολύ χαμηλή θερμοκρασία, τότε ξεκινά αυτόματα μια Καθυστέρηση θερμού/ψυχρού πακέτου, η πράσινη LED (9a) αναβοσβήνει, ενώ η κόκκινη LED (9b) παραμένει αναμμένη συνεχώς, και η φόρτιση αναστέλλεται έως ότου η μπαταρία αποκτήσει κατάλληλη θερμοκρασία. Κατόπιν, ο φορτιστής αρχίζει αυτόματα τη φόρτιση του πακέτου. Αυτή η λειτουργία διασφαλίζει τη μέγιστη διάρκεια ζωής της μπαταρίας.

### Ένδειξη κατάστασης φόρτισης μπαταρίας (Εικ. Β)

Η μπαταρία περιλαμβάνει μια ένδειξη κατάστασης φόρτισης για να μπορείτε να εκτιμάτε εύκολα τη διάρκεια ζωής της μπαταρίας, όπως δείχνει η εικόνα Β. Πατώντας το κουμπί κατάστασης φόρτισης (6a) μπορείτε να δείτε εύκολα τη φόρτιση που απομένει στην μπαταρία, όπως παρουσιάζεται στην εικόνα Β.





## Εισαγωγή και αφαίρεση του πακέτου μπαταρίας από το εργαλείο



**Προειδοποίηση!** Βεβαιωθείτε ότι είναι πατημένο το κουμπί ασφαλίσης, για να αποφύγετε τυχόν ενεργοποίηση του διακόπτη πριν από την αφαίρεση ή την τοποθέτηση της μπαταρίας.

### Για να εγκαταστήσετε το πακέτο μπαταρίας (Εικ. C)

- Εισάγετε το πακέτο μπαταρίας με σταθερή πίεση μέσα στο εργαλείο έως ακούσετε ήχο ασφάλισης, όπως δείχνει η εικόνα C. Βεβαιωθείτε ότι το πακέτο μπαταρίας έχει εδράσει πλήρως και έχει ασφαλίσει καλά στη θέση του.

### Για να αφαιρέσετε το πακέτο μπαταρίας (Εικ. D)

- Πιέστε το κουμπί απελευθέρωσης μπαταρίας (7) όπως δείχνει η εικόνα D και τραβήξτε το πακέτο μπαταρίας έξω από το εργαλείο.

### Άγκιστρο ζώνης (προαιρετικό αξεσουάρ) (Εικ. E, F)



**Προειδοποίηση!** Για να μειώσετε τον κίνδυνο σοβαρού τραυματισμού, θέστε το κουμπί κίνησης εμπρός/όπισθεν στη θέση ασφάλισης στην απενεργοποίηση ή απενεργοποιήστε το εργαλείο και αποσυνδέστε το πακέτο μπαταρίας πριν κάνετε οποιοδήποτε ρυθμίσεις ή πριν αφαιρέσετε/τοποθετήσετε προσαρτήματα ή αξεσουάρ. Τυχόν αθέλητη εκκίνηση μπορεί να προκαλέσει τραυματισμό.



**Προειδοποίηση!** Για να μειώσετε τον κίνδυνο σοβαρού τραυματισμού, χρησιμοποιείτε το άγκιστρο ζώνης (10) του εργαλείου MONO για να αναρτάτε το εργαλείο από μια ζώνη εργασίας. ΜΗ χρησιμοποιείτε το άγκιστρο ζώνης για πρόσδεση ή σπερέωση του εργαλείου σε άτομο ή αντικείμενο κατά τη χρήση του. ΜΗΝ αναρτάτε το εργαλείο σε υπερωυμμένες θέσεις και μην αναρτάτε αντικείμενα από το άγκιστρο ζώνης.



**Προειδοποίηση!** Για να μειώσετε τον κίνδυνο σοβαρού τραυματισμού, να βεβαιώνετε ότι είναι καλά στερεωμένη η βίδα (11) που συγκρατεί το άγκιστρο ζώνης.

Σημείωση: Όταν προσαρτάτε ή αντικαθιστάτε το άγκιστρο ζώνης (10), χρησιμοποιείτε μόνο την παρεχόμενη βίδα (11). Φροντίστε να στερεώνετε τη βίδα με ασφάλεια.

Το άγκιστρο ζώνης (10) μπορεί να προσαρτηθεί με εισαγωγή του στις σχισμές (12) σε οποιαδήποτε από τις δύο πλευρές του εργαλείου με χρήση μόνο της παρεχόμενης βίδας (11), για ευκολία χρήσης από αριστερόχειρες ή δεξιόχειρες χρήστες. Αν το άγκιστρο δεν είναι επιθυμητό μπορεί να αφαιρεθεί από το εργαλείο. Για να μετακινήσετε το άγκιστρο ζώνης, αφαιρέστε τη βίδα (11) που συγκρατεί στη θέση του το άγκιστρο ζώνης (10) και κατόπιν συναρμολογήστε το πάλι στην αντίθετη πλευρά.

Φροντίζετε να στερεώνετε τη βίδα (11) με ασφάλεια.

Σημείωση: Διατίθενται διάφορα άγκιστρα και διαμορφώσεις φύλαξης για συστήματα ραγών τοίχου.

Επισκεφθείτε τον ιστότοπό μας [www.stanleytools.eu/3](http://www.stanleytools.eu/3) για περισσότερες πληροφορίες.

### Αυτόματο τσοκ (Εικ. G)



**Προειδοποίηση!** Βεβαιωθείτε ότι έχει αφαιρεθεί το πακέτο μπαταρίας για να αποτρέψετε ενεργοποίηση του εργαλείου πριν από την τοποθέτηση ή την αφαίρεση αξεσουάρ.

Για να τοποθετήσετε ένα τρυπάνι ή άλλο αξεσουάρ:

- Κρατήστε το τσοκ (5) και περιστρέψτε το αριστερόστροφα, όπως βλέπετε από την άκρη του τσοκ.
- Τοποθετήστε τη μύτη ή άλλο αξεσουάρ (13) τελείως μέσα στο τσοκ και σφίξτε το τσοκ καλά περιστρέφοντάς το δεξιόστροφα όπως φαίνεται από το άκρο τσοκ.



**Προειδοποίηση!** Μην επιχειρήσετε να σφίξετε ή να ξεσφίξετε τα τρυπάνια (ή οποιαδήποτε άλλο αξεσουάρ) πιάνοντας το μπροστινό μέρος του τσοκ και ενεργοποιώντας το εργαλείο.

Μπορεί να προκληθεί ζημιά στο τσοκ και τραυματισμός αλλάζοντας αξεσουάρ με αυτόν τον τρόπο.

### Διακόπτης σκανδάλης και κουμπί ελέγχου κίνησης εμπρός/όπισθεν (Εικ. H)

- Το δράπανο ενεργοποιείται και απενεργοποιείται πατώντας και αφήνοντας το διακόπτη σκανδάλης (1) όπως δείχνει η εικόνα H. Όσο περισσότερο πατάτε τη σκανδάλη, τόσο ταχύτερα λειτουργεί το δράπανο.
- Ένα κουμπί ελέγχου κίνησης εμπρός/όπισθεν (2) καθορίζει την κατεύθυνση περιστροφής του εργαλείου και ταυτόχρονα χρησιμεύει και ως κουμπί ασφαλίσης σε απενεργοποιημένη κατάσταση.
- Για να επιλέξετε περιστροφή προς τα εμπρός, απελευθερώστε το διακόπτη σκανδάλης και πιέστε το κουμπί ελέγχου κίνησης εμπρός/πίσω στη δεξιά πλευρά του εργαλείου.
- Για να επιλέξετε περιστροφή όπισθεν, πιέστε το κουμπί ελέγχου κίνησης εμπρός/όπισθεν στην αριστερή πλευρά του εργαλείου.
- Η μεσαία θέση του κουμπιού ελέγχου ασφαλίσει το εργαλείο στη θέση απενεργοποίησης. Όταν αλλάζετε τη θέση του κουμπιού ελέγχου, να βεβαιώνετε ότι έχει ελευθερωθεί η σκανδάλη.

### Ρύθμιση συστήματος ελέγχου ροπής (Εικ. I)

Αυτό το εργαλείο είναι εξοπλισμένο με ένα κολάρο (3) για την επιλογή τρόπου λειτουργίας και για τη ρύθμιση της ροπής, όταν σφίγγετε βίδες. Οι μεγάλες βίδες και τα σκληρά υλικά αντικειμένων εργασίας απαιτούν ρύθμιση μεγαλύτερης ροπής από ότι οι μικρές βίδες και τα μαλακά υλικά αντικειμένων εργασίας.

- Για διάτρηση σε ξύλο, μέταλλο και πλαστικό, ρυθμίστε το κολάρο (3) στη θέση με το σύμβολο της διάτρησης.
- Για βίδωμα, ρυθμίστε το κολάρο στην επιθυμητή θέση. Εάν δε γνωρίζετε ακόμη την κατάλληλη ρύθμιση, συνεχίστε ως εξής:
  - ◆ Τοποθετήστε το κολάρο στη χαμηλότερη ρύθμιση ροπή.
  - ◆ Σφίξτε την πρώτη βίδα.
  - ◆ Αν κατά τη προσπάθεια να σφίξετε τη βίδα διαπιστώνετε αντίσταση και δεν επιτυγχάνεται το επιθυμητό αποτέλεσμα, αυξήστε τη ρύθμιση του κολάρου και συνεχίστε να σφίγγετε τη βίδα.
  - ◆ Επαναλάβετε μέχρι να επιτύχετε τη σωστή ρύθμιση.
  - ◆ Χρησιμοποιήστε την ίδια ρύθμιση και για τις υπόλοιπες βίδες.

### Διακόπτης διπλής περιοχής (Εικ. J)

Το χαρακτηριστικό διπλής περιοχής του δραπάνου, σας επιτρέπει να αλλάζετε ταχύτητες για μεγαλύτερη ευελιξία χρήσης.

- Για να επιλέξετε τη ρύθμιση χαμηλής ταχύτητας, υψηλής ροπή (θέση 1), απενεργοποιήστε το εργαλείο και αφήστε το να σταματήσει. Μετακινήστε το κουμπί επιλογής ταχύτητας (4) σε κατεύθυνση αντίθετη του τσοκ.
- Για να επιλέξετε τη ρύθμιση υψηλής ταχύτητας, χαμηλής ροπή (θέση 2), απενεργοποιήστε το εργαλείο και αφήστε το να σταματήσει. Μετακινήστε το κουμπί επιλογής ταχύτητας πίσω προς την κατεύθυνση του τσοκ.

**Σημείωση:** Μην αλλάζετε ταχύτητα με το εργαλείο εν κινήσει.

Αν δυσκολεύεστε στην αλλαγή ταχυτήτων, βεβαιωθείτε ότι το κουμπί επιλογής της διπλής περιοχής ταχυτήτων έχει μετακινηθεί είτε τελείως μπροστά είτε τελείως πίσω.

### Βίδωμα

- Για το βίδωμα, το κουμπί ελέγχου κίνησης εμπρός/όπισθεν πρέπει να είναι πατημένο προς τα αριστερά.
- Για ξεβίδωμα χρησιμοποιήστε την αντίθετη θέση (κουμπί πατημένο προς τα δεξιά).

**Σημείωση:** Όταν αλλάζετε κίνηση από εμπρός σε όπισθεν, ή αντίστροφα, πάντα να απελευθερώνετε πρώτα το διακόπτη σκανδάλης.

### Διάτρηση

- Χρησιμοποιείτε αιχμηρά τρυπάνια και μόνο.
- Υποστηρίζετε και στερεώνετε σωστά το αντικείμενο εργασίας, όπως υποδεικνύεται στις οδηγίες ασφαλείας.
- Χρησιμοποιείτε τον κατάλληλο και απαιτούμενο εξοπλισμό ασφαλείας, όπως υποδεικνύεται στις Οδηγίες ασφαλείας.
- Προστατεύετε και διατηρείτε σε καλή κατάσταση την περιοχή εργασίας, σύμφωνα με τις Οδηγίες ασφαλείας.
- Ξεκινάτε τη διάτρηση με πολύ μικρή ταχύτητα, χρησιμοποιώντας μόνο μικρή πίεση, έως ότου ξεκινήσει η οπή και επαρκεί να συγκρατεί το τρυπάνι χωρίς να κινδυνεύει να γλιστρήσει έξω από αυτή.

- Ασκήστε πίεση σε ευθεία γραμμή με το τρυπάνι. Ασκήστε όση πίεση χρειάζεται για να μπορεί το τρυπάνι να διατρήσει το αντικείμενο, όχι όμως σε υπερβολικό βαθμό γιατί υπάρχει κίνδυνος να κολλήσει το μοτέρ ή να στραβώσει το τρυπάνι.
- Κρατάτε το δράπανο σταθερά και με τα δύο χέρια, με το ένα χέρι στη λαβή και με το άλλο να πιάνει το κάτω μέρος γύρω από την περιοχή της μπαταρίας ή τη βοηθητική λαβή αν παρέχεται τέτοια λαβή.
- ΑΝ ΤΟ ΔΡΑΠΑΝΟ ΑΚΙΝΗΤΟΠΟΙΗΘΕΙ, ΜΗΝ ΠΑΤΑΤΕ ΚΑΙ ΑΦΗΝΕΤΕ ΤΗ ΣΚΑΝΔΑΛΗ ΠΡΟΣΠΛΑΘΩΝΤΑΣ ΝΑ ΤΟ ΘΕΣΕΤΕ ΠΑΛΙ ΣΕ ΚΙΝΗΣΗ. ΜΠΟΡΕΙ ΝΑ ΠΡΟΚΛΗΘΕΙ ΖΗΜΙΑ ΣΤΟ ΔΡΑΠΑΝΟ.
- Ελαχιστοποιήστε το ενδεχόμενο κολλήματος μειώνοντας την πίεση και τρυπώντας αργά στο τελευταίο τμήμα της οπής.
- Αφήστε το μοτέρ να λειτουργεί καθώς βγάζετε το τρυπάνι του εργαλείου από μια οπή που μόλις διανοίξατε. Αυτό συμβάλλει στον περιορισμό του κολλήματος.
- Βεβαιωθείτε ότι ο διακόπτης ενεργοποιεί και απενεργοποιεί το δράπανο.

### Διάτρηση σε ξύλο

Οι οπές στο ξύλο μπορούν να γίνουν με τη ίδια ελικοειδή τρυπάνια που χρησιμοποιούνται για τη διάτρηση μετάλλων ή με τρυπάνια φτερού. Αυτά τα τρυπάνια θα πρέπει να είναι αιχμηρά και να τα τραβάτε έξω συχνά κατά τη διάτρηση ώστε να φεύγουν τα πριονίδια από τις αυλακώσεις τους.

### Διάτρηση μετάλλου

Χρησιμοποιείτε λιπαντικό κοπής κατά τη διάτρηση μετάλλων. Εξαιρέσεις είναι ο χυτοσίδηρος και ο ορείχαλκος όπου πρέπει να γίνεται ξηρή διάτρηση. Τα πιο αποτελεσματικά λιπαντικά κοπής είναι το θειωμένο λάδι κοπής.

### Φως εργασίας LED (Εικ. H)

Όταν ενεργοποιείται το δράπανο με τράβηγμα του διακόπτη σκανδάλης (1), ανάβει αυτόματα το ενσωματωμένο φως εργασίας LED (8) ώστε να φωτίζεται η περιοχή εργασίας. **Σημείωση:** Το φως εργασίας προορίζεται για το φωτισμό της άμεσης επιφάνειας εργασίας και δεν προορίζεται για χρήση ως φακός.

### Αντιμετώπιση προβλημάτων

| Πρόβλημα                            | Πιθανή αιτία   | Πιθανή λύση  |
|-------------------------------------|--|--|
| Η μονάδα δεν τίθεται σε λειτουργία. | Το πακέτο μπαταρίας δεν έχει τοποθετηθεί σωστά.<br><br>Το πακέτο μπαταρίας δεν είναι φορτισμένο. | Ελέγξτε την τοποθέτηση του πακέτου μπαταρίας.<br><br>Ελέγξτε τις απαιτήσεις φόρτισης του πακέτου μπαταρίας |

| Πρόβλημα  | Πιθανή αιτία  | Πιθανή λύση   |
|---|---|---|
| Η μονάδα αρχίζει να λειτουργεί αμέσως μετά την τοποθέτηση της μπαταρίας | Ο διακόπτης έχει παραμείνει στη θέση "ενεργοποίησης".   | Πρέπει να κινήσετε το διακόπτη στη θέση "απενεργοποίησης" για να αποτρέψετε την άμεση έναρξη κίνησης του εργαλείου κατά την εισαγωγή της μπαταρίας.   |
| Η μπαταρία δεν φορτίζει.  | Δεν έχει τοποθετηθεί μπαταρία στο φορτιστή.<br><br>Ο φορτιστής δεν έχει συνδεθεί.<br><br>Η θερμοκρασία αέρα περιβάλλοντος είναι πολύ θερμή ή πολύ ψυχρή.  | Τοποθετήστε το πακέτο μπαταρίας στο φορτιστή μέχρι να ανάψει η λυχνία LED.<br><br>Συνδέστε το φορτιστή σε μια πρίζα που λειτουργεί.<br><br>Μετακινήστε το φορτιστή και την μπαταρία σε θέση με θερμοκρασία αέρα περιβάλλοντος πάνω από 4,5 °C ή κάτω από +40,5 °C |
| Η μονάδα σβήνει ξαφνικά.  | Το πακέτο μπαταρίας έχει φθάσει στο όριο μέγιστης θερμοκρασίας του.<br><br>Εκτός φόρτισης. (Για να μεγιστοποιηθεί η διάρκεια ζωής του, το πακέτο μπαταρίας έχει σχεδιαστεί να απενεργοποιείται άμεσα όταν εξαντληθεί η φόρτιση του) | Αφήστε το πακέτο μπαταρίας να κρυώσει.<br><br>Τοποθετήστε το στο φορτιστή και αφήστε το να φορτιστεί.   |

## Συντήρηση

Αυτό το εργαλείο STANLEY FATMAX έχει σχεδιαστεί έτσι ώστε να λειτουργεί για μεγάλο χρονικό διάστημα με την ελάχιστη δυνατή συντήρηση. Η συνεχής ικανοποιητική λειτουργία εξαρτάται από τη σωστή φροντίδα και τον τακτικό καθαρισμό του εργαλείου.

Ο φορτιστής σας δεν χρειάζεται οποιαδήποτε συντήρηση πέραν του τακτικού καθαρισμού.



**Προειδοποίηση!** Πριν πραγματοποιήσετε κάποια συντήρηση στο εργαλείο, αφαιρέστε την μπαταρία από το εργαλείο. Πριν καθαρίσετε το φορτιστή, αποσυνδέστε τον από την πρίζα.

- Να καθαρίζετε τακτικά τα ανοίγματα εξαερισμού του εργαλείου και του φορτιστή χρησιμοποιώντας μια μαλακή βούρτσα ή ένα στεγνό πανί.
- Να καθαρίζετε τακτικά το περίβλημα του μοτέρ με ένα ελαφρά υγρό πανί.
- Μη χρησιμοποιείτε λειαντικά υγρά καθαρισμού ή καθαριστικά που περιέχουν διαλυτικά.

## Προστασία του περιβάλλοντος



Χωριστή συλλογή. Τα προϊόντα και οι μπαταρίες που επισμαίνονται με αυτό το σύμβολο δεν πρέπει να απορρίπτονται μαζί με τα κανονικά οικιακά απορρίμματα.

Τα προϊόντα και οι μπαταρίες περιέχουν υλικά που μπορούν να ανακτηθούν ή να ανακυκλωθούν ώστε να μειωθούν οι ανάγκες για πρώτες ύλες.

Παρακαλούμε να ανακυκλώνετε τα ηλεκτρικά προϊόντα και τις μπαταρίες σύμφωνα με τους τοπικούς κανονισμούς.

Περισσότερες πληροφορίες διατίθενται στον ιστότοπο [www.2helpU.com](http://www.2helpU.com)

## Τεχνικά χαρακτηριστικά

|                          |                   | SFMC0700     |
|--------------------------|-------------------|--------------|
| Τάση                     | V <sub>DC</sub>   | 18 V         |
| Ταχύτητα χωρίς φορτίο    | min <sup>-1</sup> | 0-350/0-1500 |
| Μέγ. ροπή                | Nm                | 50           |
| Μέγεθος τσοκ             | mm                | 13           |
| Μέγ. ικανότητα διάτρησης |                   |              |
| Χάλυβας/ξύλο/τοιχοποιία  | mm                | 13/35/13     |
| Βάρος                    | kg                | 1,2          |

| Φορτιστής    |                 | SFMCB11 | SFMCB12 | SFMCB14 |
|--------------|-----------------|---------|---------|---------|
| Τάση εισόδου | V <sub>AC</sub> | 230     | 230     | 230     |
| Τάση εξόδου  | V <sub>DC</sub> | 18      | 18      | 18      |
| Ρεύμα        | A               | 1,25    | 2       | 4       |

| Μπαταρία     |                 | SFMCB201      | SFMCB202      | SFMCB204      | SFMCB206      |
|--------------|-----------------|---------------|---------------|---------------|---------------|
| Τάση         | V <sub>DC</sub> | 18            | 18            | 18            | 18            |
| Χωρητικότητα | Ah              | 1,5           | 2,0           | 4,0           | 6,0           |
| Τύπος        |                 | Ιόντων λιθίου | Ιόντων λιθίου | Ιόντων λιθίου | Ιόντων λιθίου |

### Στάθμη ηχητικής πίεσης κατά EN62841:

Ηχητική πίεση (L<sub>PA</sub>) 70,0 dB(A), αβεβαιότητα (K) 5 dB(A)

Ηχητική ισχύς (L<sub>WA</sub>) 81,0 dB(A), αβεβαιότητα (K) 5 dB(A)

### Συνολικές τιμές κραδασμών (διανυσματικό άθροισμα τριών αξόνων) κατά EN62841:

Διάτρηση σε μέταλλο (a<sub>h,D</sub>) 1,2 m/s<sup>2</sup>, αβεβαιότητα (K) 1,5 m/s<sup>2</sup>

## Δήλωση συμμόρφωσης ΕΚ ΟΔΗΓΙΑ ΠΕΡΙ ΜΗΧΑΝΗΜΑΤΩΝ



SFMCD700 - Δράπανο

Η STANLEY Ευροpe δηλώνει ότι τα προϊόντα αυτά που περιγράφονται στα "τεχνικά χαρακτηριστικά" συμμορφώνονται με τα ακόλουθα:

EN62841-1:2015, EN62841-2-1:2018+A11:2019.

Αυτά τα προϊόντα συμμορφώνονται επίσης με την Οδηγία 2006/42/ΕΚ, 2014/30/ΕΕ και 2011/65/ΕΕ. Για περισσότερες πληροφορίες, παρακαλείστε να επικοινωνήσετε με την STANLEY Ευροpe στην παρακάτω διεύθυνση ή να ανατρέξετε στο πίσω μέρος του εγχειριδίου.

Για περισσότερες πληροφορίες, παρακαλείστε να επικοινωνήσετε με την STANLEY FATMAX στην παρακάτω διεύθυνση ή να ανατρέξετε στο πίσω μέρος του εγχειριδίου.

Ο κάτωθι υπογεγραμμένος είναι υπεύθυνος για την κατάρτιση του τεχνικού φακέλου και δηλώνει τα παρόντα εκ μέρους της STANLEY FATMAX.

Patrick Diepenbach

Γενικός Διευθυντής, Μπενελούξ

Stanley, Black and Decker Egide Walschaertsstraat 14-18

2800 Mechelen, Belgium (Βέλγιο)

14/10/2021

### Εγγύηση

Η STANLEY FATMAX είναι σίγουρη για την ποιότητα των προϊόντων της και προσφέρει στους καταναλωτές εγγύηση 12 μηνών από την ημερομηνία αγοράς. Αυτή η εγγύηση αποτελεί πρόσθετο δικαίωμά σας και δεν ζημιώνει τα νόμιμα δικαιώματά σας. Η εγγύηση ισχύει εντός της επικράτειας των χωρών μελών της Ευρωπαϊκής Ένωσης και της Ευρωπαϊκής Ζώνης Ελεύθερων Συναλλαγών.

Για να υποβάλετε αξίωση βάσει της εγγύησης, η αξίωση θα πρέπει να είναι σύμφωνη με τους Όρους και προϋποθέσεις της STANLEY FATMAX και θα χρειαστεί να υποβάλετε απόδειξη αγοράς στον πωλητή ή σε εξουσιοδοτημένο αντιπρόσωπο επισκευών. Μπορείτε να αποκτήσετε τους Όρους και προϋποθέσεις της εγγύησης 1 έτους της STANLEY FATMAX και να μάθετε την τοποθεσία του πλησιέστερου εξουσιοδοτημένου αντιπροσώπου επισκευών στο Internet στο [www.2helpU.com](http://www.2helpU.com), ή επικοινωνώντας με το τοπικό σας γραφείο STANLEY FATMAX στη διεύθυνση που υποδεικνύεται στο παρόν εγχειρίδιο.

Επισκεφθείτε τον ιστότοπό μας [www.stanley.eu/3](http://www.stanley.eu/3) για να καταχωρίσετε το καινούργιο προϊόν STANLEY FATMAX που αποκτήσατε και για να λαμβάνετε ενημερώσεις σχετικά με νέα προϊόντα και ειδικές προσφορές.









|                                 |  |  |
|---------------------------------|--|--|
| <b>België/Belgique</b>          | STANLEY FATMAX<br>E. Walschaertstraat 14-16<br>2800 Mechelen<br>Belgium  | De. Tel. +32 70 220 065<br>Fr. Tel. +32 70 220 066<br>Fax +32 15 473 799<br>www.stanleytools.eu<br>Enduser.be@SBDinc.com |
| <b>Danmark</b>                  | STANLEY FATMAX<br>Farveland 1B<br>2600 Glostrup  | Tel. 70 20 15 10<br>Fax 70 22 49 10<br>www.stanleyworks.dk   |
| <b>Deutschland</b>              | STANLEY FATMAX<br>Richard Klinger Str. 11, D - 65510 Idstein   | Tel. 06126 21-1<br>Fax 06126 21-2770   |
| <b>Ελλάδα</b>                   | STANLEY FATMAX.<br>Στράβωνος 7 & Λεωφ. Βουλιαγμένης 159<br>Γλυφάδα 166 74 - Αθήνα  | Τηλ. +30 210 8981-616<br>Φαξ +30 210 8983-285<br>www.stanleyworks.gr   |
| <b>España</b>                   | STANLEY FATMAX.<br>Parc de Negocis "Mas Blau"<br>Edificio Muntadas, c/Bergadá, 1, Of. A6<br>08820 El Prat de Llobregat (Barcelona)           | Tel. 934 797 400<br>Fax 934 797 419<br>respuesta.postventa@sbdinc.com<br>www.stanleyworks.es                             |
| <b>France</b>                   | STANLEY FATMAX<br>5 allée des Hêtres<br>B.P. 30084<br>69579 Limonest Cédex   | Tel. 04 72 20 39 20<br>Fax 04 72 20 39 00<br>www.stanleyouillage.fr  |
| <b>Helvetia</b>                 | STANLEY FATMAX<br>In der Luberzen 40<br>8902 Urdorf  | Tel. 01 730 67 47<br>Fax 01 730 70 67<br>www.stanleyworks.de   |
| <b>Italia</b>                   | STANLEY FATMAX<br>EnergyPark-Building 03 sud, Via Monza 7/A<br>20871 Vimercate (MB)  | Tel. 039-9590200<br>Fax 039-9590313<br>www.stanley.it  |
| <b>Nederland</b>                | STANLEY FATMAX<br>Joulehof 12,<br>4600 RG Bergen op Zoom   | Tel. +31 164 283 065<br>Fax +31 164 283 200<br>Enduser.NL@SBDinc.com   |
| <b>Norge</b>                    | STANLEY FATMAX<br>Postboks 4613, Nydalen<br>0405 Oslo  | Tlf. 45 25 13 00<br>Fax 45 25 08 00  |
| <b>Österreich</b>               | STANLEY FATMAX<br>Oberlaaerstraße 248,<br>A-1230 Wien  | Tel. 01 66116-0<br>Fax 01 66116-614<br>www.stanleyworks.de   |
| <b>Portugal</b>                 | STANLEY FATMAX<br>Centro de Escritórios de Sintra Avenida Almirante<br>Gago Coutinho, 132/134, Edifício 142710-418 Sintra<br>2710-418 Lisboa | Tel. 214667500<br>Fax 214667575<br>resposta.posvenda@sbdinc.com  |
| <b>Suomi</b>                    | STANLEY FATMAX<br>Tekniikantie 12, 02150 Espoo   | Puh. 010 400 430<br>Faksi 0800 411 340<br>www.stanleyworks.fi  |
| <b>Sverige</b>                  | STANLEY FATMAX<br>Box 94, 431 22 Mölndal   | Tel. 031-68 61 00<br>Fax 031-68 60 08  |
| <b>Türkiye</b>                  | STANLEY FATMAX<br>KALE Hirdavat ve Makina A.Ş.<br>Deftardar Mah. Savaklar Cad. No:15<br>Edirnekapı / Eyüp / İSTANBUL 34050                   | Puh. 0212 533 52 55<br>Faks 0212 533 10 05<br>www.stanleyworks.fi  |
| <b>United Kingdom</b>           | STANLEY FATMAX<br>270 Bath Road<br>Slough, Berkshire SL1 4DX   | Tel. +44 (0)1753 511234<br>Fax +44 (0)1753 551155<br>www.stanleytools.co.uk  |
| <b>Middle East &amp; Africa</b> | STANLEY FATMAX<br>P.O.Box - 17164<br>Jebel Ali (South Zone), Dubai,<br>UAE   | Tel. +971 4 8127400<br>Fax +971 4 8127036<br>www.stanleyworks.ae   |